



V2

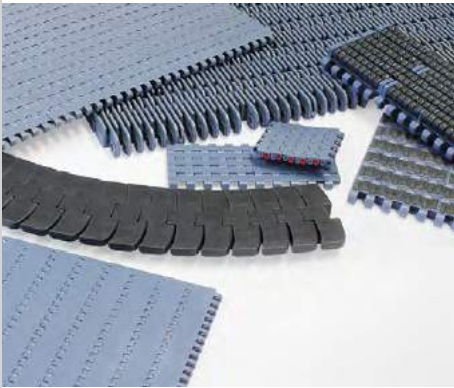
**Metric  
Version**

CONVEYOR COMPONENTS AND MODULAR SOLUTIONS.



***Movex***<sup>®</sup>  
PRODUCT CATALOG





## Our **HISTORY**, the basis for our **FUTURE**.

Movex® is a dynamic and flexible business reality that have been active in the industrial production for over ten years and is reaching market leadership as a reliable and precise supplier, planning the future without losing sight of its history and its values.

In the headquarters Movex® designs and manufactures high quality components for the beverage, packaging, food, logistics, automotive and automation industries.

Movex® meets your needs for standard and custom made products in a dynamic and responsive way, ensuring the best performance to satisfy our customers requirements.

A top service level is the goal of a qualified Engineering and Sales team with the objective of presenting Movex® as a supplier of excellence to all clients.

Through a distribution/network which spans the globe, Movex® offers technical support and a careful after-sales service, always at your disposal.

### ABOUT US

>200

EMPLOYEES AROUND  
THE WORLD

>30%

ANNUAL GROWTH RATE

Reference year 2021

>6.000

SATISFIED CUSTOMERS





Logistics center  
Via della Repubblica 21/E  
Castelli calepio (BG) - ITALY



## MISSION

Creating value through development of ideas, supporting our partners with professionalism flexibility and effectiveness.



## VISION

Reaching market leadership as a reliable and precise supplier. Planning the future without losing sight of our history and the values that allow our growth.



Headquarters  
Viale Industria, 22  
Castelli calepio (BG) - ITALY

Movex

## ABOUT PRODUCTS



>35.000  
PRODUCTS AVAILABLE

>12.000  
NEW ARTICLE NUMBERS

Compared to the previous  
catalog version

<24 h  
TIME FOR PROCESSING  
YOUR REQUESTS

## Movex World

Three simple  
ways to keep  
in touch.



### Website

Consult our catalogs and stay updated on our latest news.

[www.movexii.com](http://www.movexii.com)

### Social media

News, curiosity and info about us and our products.

Follow us   

### Movex App

The easiest way to keep up to date on our events, projects.

Download it free!



**SYNERGIA**  
CORPORATE SERVICE

Tailor-made support  
for your business.



TECHNICAL  
SUPPORT



CONSULTING  
SERVICE



FAST  
ASSISTANCE



DATA  
COLLECTION

+39 035 8359711  
synergia@movexii.com

## Line survey, analysis and monitoring

THE ADVANTAGE OF BEING ALWAYS ON THE BALL.

Frequently, replacement of conveyor components are only executed when line performances starts decreasing, causing severe downtimes and loss of efficiency.

While you stay focused on your priorities, we will collect data and make an ideal plan to keep your line 100% efficient.

## Full lifecycle product support

ENJOY PEACE OF MIND WITH A PREVENTIVE ACTION.

With SYNERGIA service you can easy identify the line conditions and determine an optimized replacement schedule.

- PLAN INTERVENTION ACTIONS • CORRECT REPLACEMENT PARTS
- ELIMINATE UNEXPECTED DOWNTIMES • SAVE ON TOTAL COST

## Why choose us?

TELL US HOW WE CAN HELP.

By using SYNERGIA, your company will have the chance to work with a professional team of experts, specialized in conveyor components, able to help you from remote desktop or directly on site.

- ENGINEER • MECHANIC • TECHNICIAN • WELDER

CONTACT US AND CHOOSE YOUR SYNERGIA PLAN  
THAT BEST SUITS YOUR NEEDS.



# Priority service

Even faster and responsive,  
when you need it.

Products in stock are available to ship  
within 24 Hours of the receipt of order.

>10.000 ARTICLES NUMBER  
READY TO DELIVERY
















Request a free quotation!



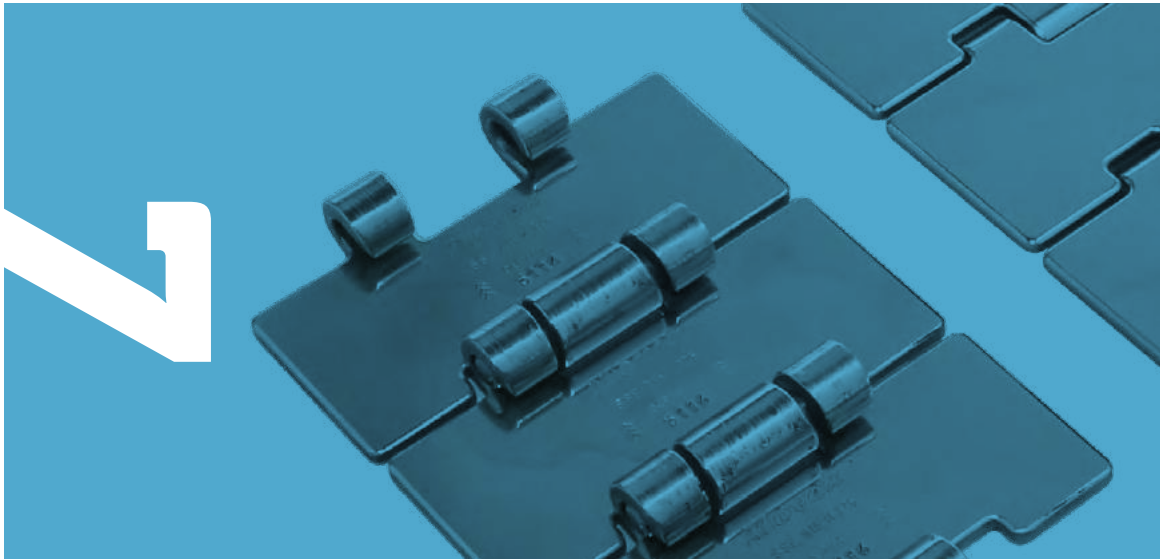
Priority service is optional,  
available on request

# Table of contents

## Sommario / Inhaltsverzeichnis

	Steel chains	Pag 7
	Plastic chains	Pag 27
	Chain sprockets and Turning disks	Pag 77 / 102
	Chain idler wheels	Pag 107
	Magnetic, Tab & Bevel corner tracks	Pag 113
	Modular belts and NoseBars	Pag 179 / 270
	Modular solutions	Pag 285
	Belt sprockets	Pag 311
	Extruded profiles	Pag 341
	Return components	Pag 435
	Conveyor components	Pag 447
	Conveyor support components	Pag 513
	Bearing supports	Pag 529
	Leveling feet	Pag 557
	Materials	Pag 645





# Steel chains

**812/815**



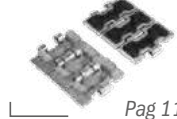
Pag 8/9

**812 GT/815 GT**



Pag 10

**815 TAB GT**



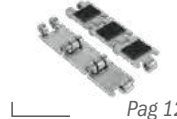
Pag 11

**815 MINI**



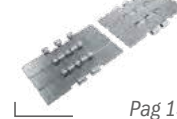
Pag 12

**815 MINI GT**



Pag 12

**802/805**



Pag 13

**802 GT/805 GT**



Pag 14

**8157**



Pag 15

**8157 GT**



Pag 15

**512**



Pag 16

**881 M**



Pag 17/18

**881 M GT**



Pag 19

**881 TAB**



Pag 20

**881 B**



Pag 21

**8811 TAB**



Pag 22

**8811 R TAB**



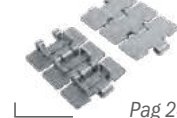
Pag 23

**8811 TAB GT**



Pag 23

**8811 B**



Pag 24

**8857 M**



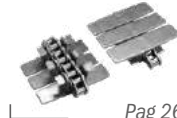
Pag 25

**8857 M GT**



Pag 25

**1874 TAB**



Pag 26

Material  
Info:

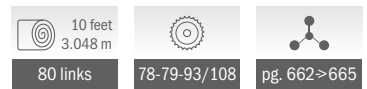
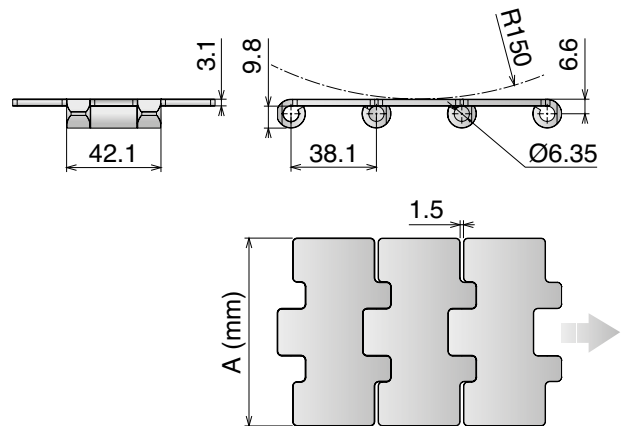


pg. 662>665

## 815 Catena rettilinea Straight running chain / Geradgängige Scharnierbandkette

Delivery: **Easy** **Standard**

Pins: Martensitic 1.4057 | Backflex radius min.: 150 mm

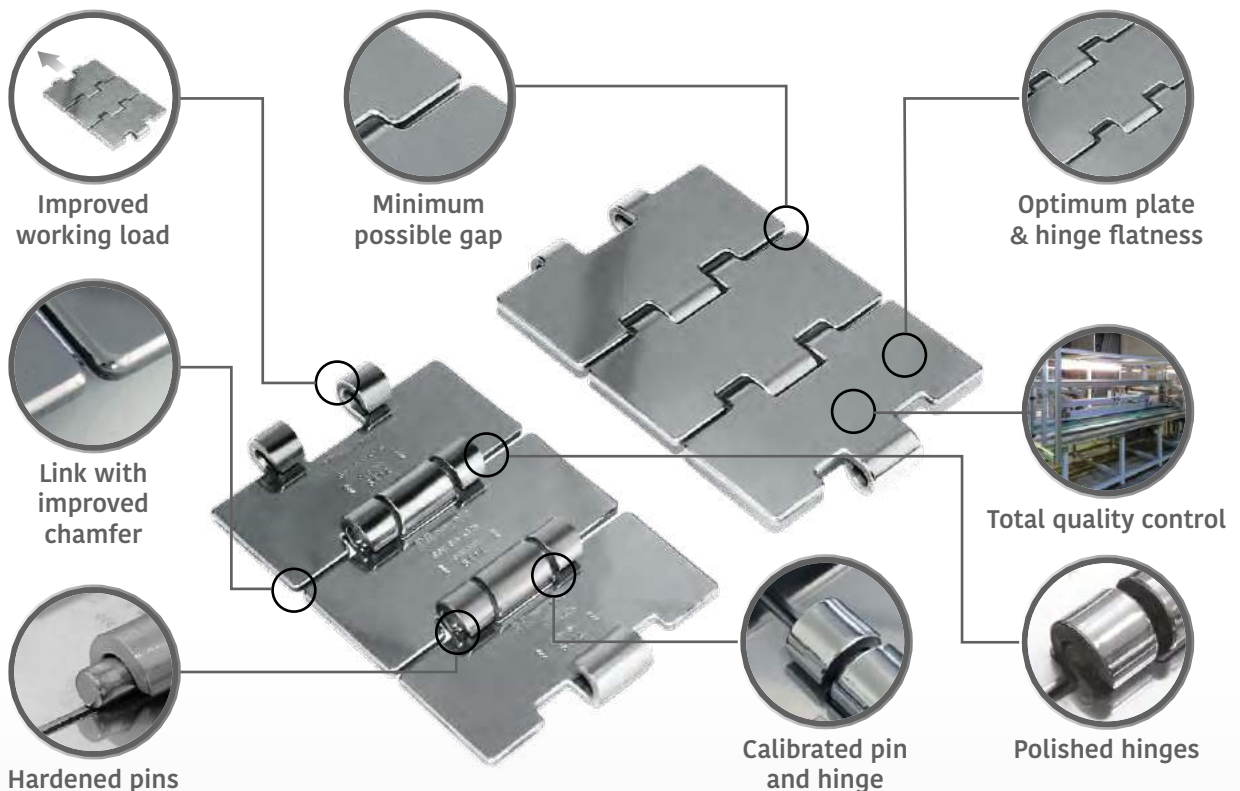


Article-Nr.	Ref.	A (Plate Width) mm	Weight kg/m	Surface finish µm	Surface Flatness mm	Polished Hinge eyes	Max working load (N)	Plate Thickness mm
-------------	------	--------------------	-------------	-------------------	---------------------	---------------------	----------------------	--------------------

### SSM Max Speed - Hardened pins

10010302	SSM 815 K325	82,5	2,55	0,2	0,08	YES	6000	3,1
10010303	SSM 815 K330	83,8	2,59	0,2	0,08	YES		

## Max Speed High Performance



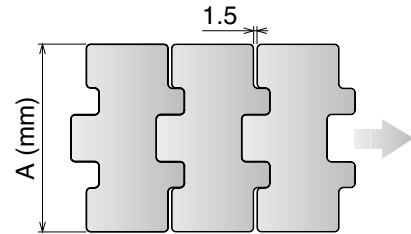
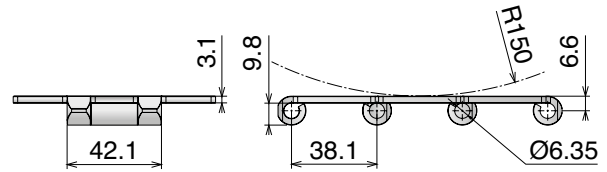


# 812/815

Catena rettilinea  
Straight running chain / Geradegängige Scharnierbandkette

Delivery: **Easy** **Standard**

Pins: Martensitic 1.4057 | Backflex radius min.: 150 mm



Article-Nr.	Ref.	A (Plate Width) mm	Weight kg/m	Surface finish µm	Surface Flatness mm	Polished Hinge eyes	Max working load (N)	Plate Thickness mm
-------------	------	--------------------	-------------	-------------------	---------------------	---------------------	----------------------	--------------------

### SS Ferritic Stainless Steel (1.4016)

10010216	SS 812 K300	76,2	2,50	0,5	0,15	NO	5400	3,1
10010202	SS 812 K325	82,5	2,55	0,5	0,15	NO		
10010203	SS 812 K330	83,8	2,59	0,5	0,15	NO		
10010204	SS 812 K350	88,9	2,69	0,5	0,15	NO		
10010214	SS 812 K400	101,6	3,00	0,5	0,15	NO		
10010205	SS 812 K450	114,3	3,25	0,5	0,20	NO		
10010206	SS 812 K600	152,4	4,15	0,5	0,30	NO		
10010207	SS 812 K750	190,5	5,05	0,5	0,30	NO		

### SSE Specially treated Ferritic Stainless Steel (1.4589) - Hardened pins

10010102	SSE 815 K325	82,5	2,55	0,3	0,10	YES	6000	3,1
10010103	SSE 815 K330	83,8	2,59	0,3	0,10	YES		
10010104	SSE 815 K350	88,9	2,69	0,3	0,15	NO		
10010114	SSE 815 K400	101,6	3,00	0,3	0,15	NO		
10010105	SSE 815 K450	114,3	3,25	0,3	0,20	NO		
10010106	SSE 815 K600	152,4	4,15	0,3	0,30	NO		
10010107	SSE 815 K750	190,5	5,05	0,3	0,30	NO		

### SSA Austenitic Stainless Steel (AISI 304) - Austenitic pin

10010402	SSA 815 K325	82,5	2,55	0,5	0,15	NO	5300	3,1
10010403	SSA 815 K330	83,8	2,59	0,5	0,15	NO		
10010404	SSA 815 K350	88,9	2,69	0,5	0,15	NO		
10010405	SSA 815 K450	114,3	3,25	0,5	0,20	NO		
10010406	SSA 815 K600	152,4	4,15	0,5	0,30	NO		
10010407	SSA 815 K750	190,5	5,05	0,5	0,30	NO		

# 812 GT/815 GT

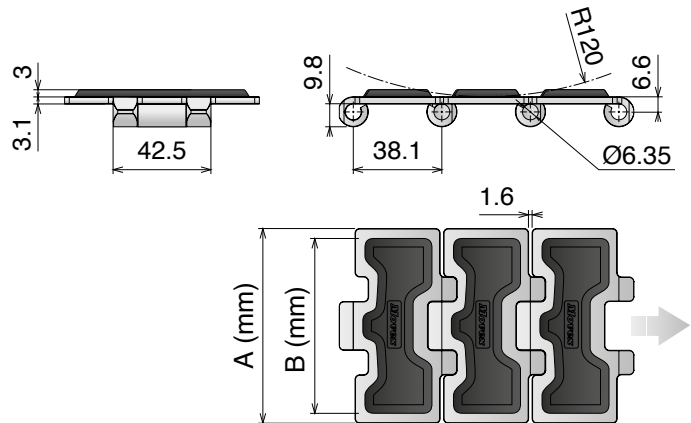
Catene in acciaio / Steel chains / Scharnierbandketten aus Edelstahl

## 812 GT/815 GT

Catena rettilinea  
Straight running chain / Geradegängige Scharnierbandkette

Delivery: **Easy** Standard

Pins: Martensitic 1.4057 | Backflex radius min.: 120 mm



Article-Nr.	Ref.	A (Plate Width) mm	B (Rubber Width) mm	Weight kg/m	Max working load (N)	Plate/Rubber Thickness mm
-------------	------	--------------------	---------------------	-------------	----------------------	---------------------------

### SS Ferritic Stainless Steel (1.4016)

<b>10020202</b>	<b>SS 812 GT K325</b>	82,5	75	2,80	5400	Plate 3,1 Rubber 3
-----------------	-----------------------	------	----	------	------	--------------------

### SSE Specially treated Ferritic Stainless Steel (1.4589) - Hardened pins

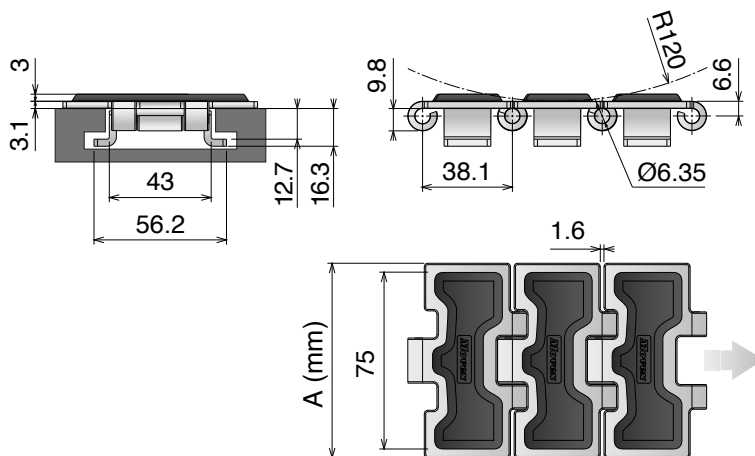
<b>10020102</b>	<b>SSE 815 GT K325</b>	82,5	75	2,80	6000	Plate 3,1 Rubber 3
<b>10020105</b>	<b>SSE 815 GT K450</b>	114,3	107	3,55		
<b>10020107</b>	<b>SSE 815 GT K750</b>	190,5	140	5,55		

## 815 TAB GT

Catena rettilinea  
Straight running chain / Geradegängige Schmierbandkette

Delivery: **Easy** Standard

Pins: Martensitic 1.4057 | Backflex radius min.: 120 mm



**TAB SYSTEM**

10 feet  
3.048 m

80 links

78-79-93/108

pg. 662>665

Article-Nr.	Ref.	A (Plate Width) mm	Weight kg/m	Max working load (N)	Plate/Rubber Thickness mm
-------------	------	--------------------	-------------	----------------------	---------------------------

**SSE Specially treated Ferritic Stainless Steel (1.4589) - Hardened pins**

10200102	SSE 815 TAB GT K325	82,5	3,40	6000	Plate 3,1 Rubber 3
----------	---------------------	------	------	------	--------------------

# 815 MINI-815 MINI GT

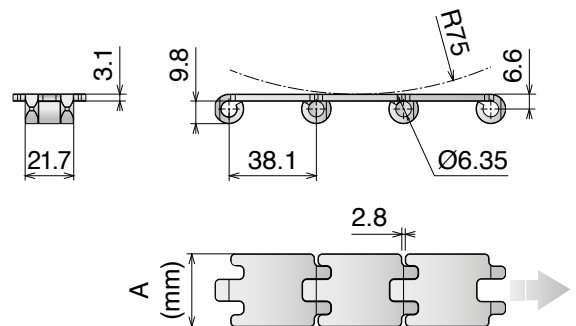
Catene in acciaio / Steel chains / Scharnierbandketten aus Edelstahl

## 815 MINI

Catena rettilinea  
Straight running chain / Geradegängige Scharnierbandkette

Delivery: **Easy** **Standard**

Pins: Martensitic 1.4057 | Backflex radius min.: 75 mm



Article-Nr.	Ref.	A (Plate Width) mm	Weight kg/m	Max working load (N)	Plate Thickness mm
-------------	------	--------------------	-------------	----------------------	--------------------

**SSE Specially treated Ferritic Stainless Steel (1.4589) - Hardened pins**

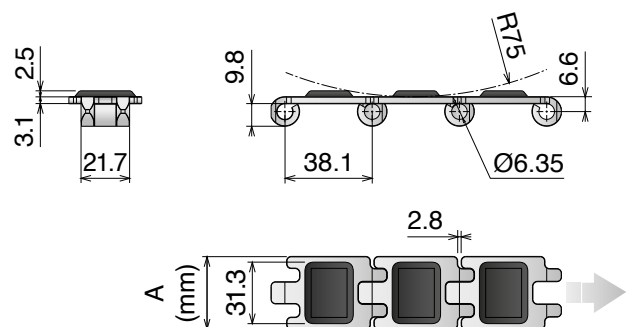
10210117	SSE 815 K125	31,75	1,07	3000	3,1
10210118	SSE 815 K175	44,45	1,35		

## 815 MINI GT

Catena rettilinea  
Straight running chain / Geradegängige Scharnierbandkette

Delivery: **Easy** **Standard**

Pins: Martensitic 1.4057 | Backflex radius min.: 75 mm



Article-Nr.	Ref.	A (Plate Width) mm	B (Rubber Width) mm	Weight kg/m	Max working load (N)	Plate/Rubber Thickness mm
-------------	------	--------------------	---------------------	-------------	----------------------	---------------------------

**SSE Specially treated Ferritic Stainless Steel (1.4589) - Hardened pins**

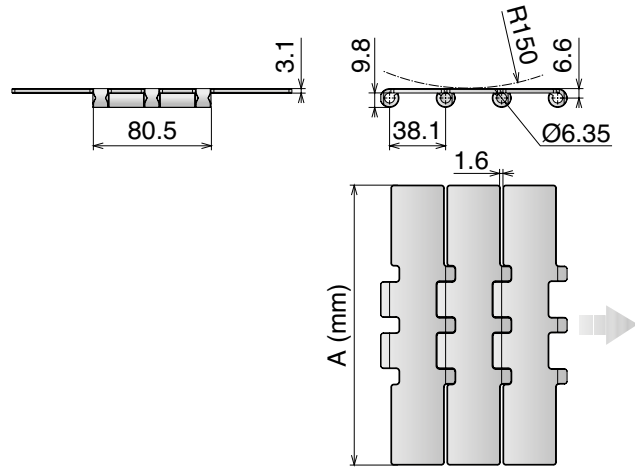
10230117	SSE 815 GT K125	31,75	31,3	1,20	4000	Plate 3,1 Rubber 2,5
----------	-----------------	-------	------	------	------	----------------------

## 802/805

Catena rettilinea  
Straight running chain / Geradegängige Scharnierbandkette

Delivery: **Easy** Standard

Pins: Martensitic 1.4057 | Backflex radius min.: 150 mm



80 links

pg. 82-94/109

pg. 662>665

Article-Nr.	Ref.	A (Plate Width) mm	Weight kg/m	Surface finish $\mu\text{m}$	Max working load (N)	Plate Thickness mm
<b>SS Ferritic Stainless Steel (1.4016)</b>						
10030207	SS 802 K750	190,5	5,80	0,6	7000	3,1
<b>SSE Specially treated Ferritic Stainless Steel (1.4589) - Hardened pins</b>						
10030107	SSE 805 K750	190,5	5,80	0,3	9000	3,1
<b>SSA Austenitic Stainless Steel (AISI 304) - Austenitic pin</b>						
10030407	SSA 805 K750	190,5	5,80	0,6	8700	3,1

# 802 GT/805 GT

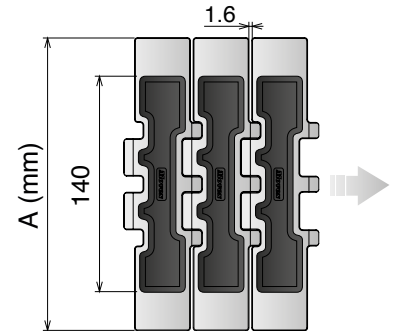
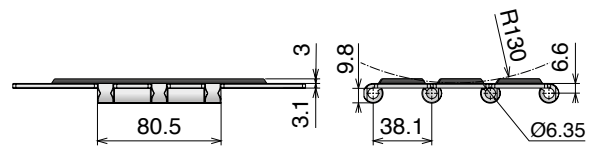
Catene in acciaio / Steel chains / Scharnierbandketten aus Edelstahl

## 802 GT/805 GT

Catena rettilinea  
Straight running chain / Geradegängige Scharnierbandkette

Delivery: **Easy** **Standard**

Pins: Martensitic 1.4057 | Backflex radius min.: 130 mm



80 links



pg. 82-94/109



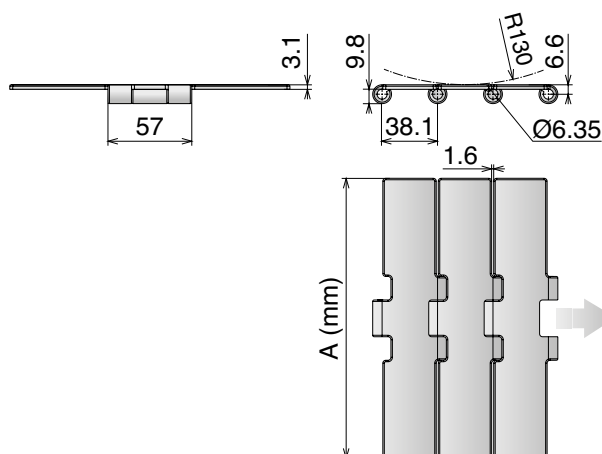
pg. 662>665

Article-Nr.	Ref.	A (Plate Width) mm	Weight kg/m	Max working load (N)	Plate/Rubber Thickness mm
<b>SS Ferritic Stainless Steel (1.4016)</b>					
<b>10040207</b>	<b>SS 802 GT K750</b>	190,5	6,20	7000	Plate 3,1 Rubber 3
<b>SSE Specially treated Ferritic Stainless Steel (1.4589) - Hardened pins</b>					
<b>10040107</b>	<b>SSE 805 GT K750</b>	190,5	6,20	9000	Plate 3,1 Rubber 3

## 8157 Catena rettilinea Straight running chain / Geradegängige Scharnierbandkette

Delivery: **Easy** **Standard**

Pins: Martensitic 1.4057 | Backflex radius min.: 130 mm



10 feet / 3.048 m  
80 links

pg. 83-93/110

pg. 662>665

Article-Nr.	Ref.	A (Plate Width) mm	Weight kg/m	Surface finish µm	Max working load (N)	Plate Thickness mm
-------------	------	--------------------	-------------	-------------------	----------------------	--------------------

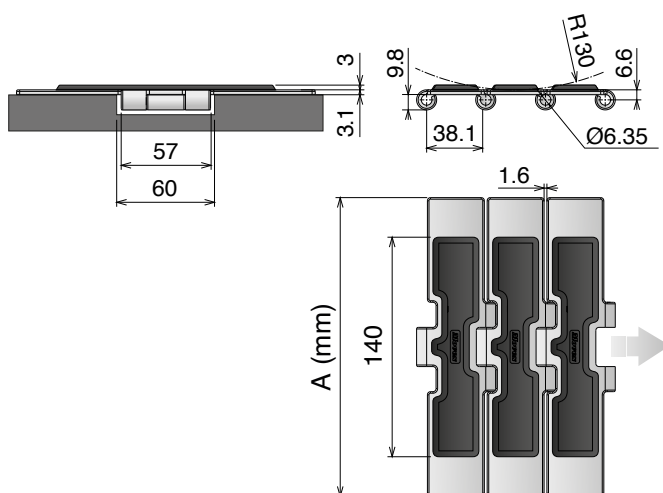
**SSE Specially treated Ferritic Stainless Steel (1.4589) - Hardened pins**

10050107	SSE 8157 K750	190,5	5,60	0,3	10000	3,1
----------	---------------	-------	------	-----	-------	-----

## 8157 GT Catena rettilinea Straight running chain / Geradegängige Scharnierbandkette

Delivery: **Easy** **Standard**

Pins: Martensitic 1.4057 | Backflex radius min.: 130 mm



10 feet / 3.048 m  
80 links

pg. 83-93/110

pg. 662>665

Article-Nr.	Ref.	A (Plate Width) mm	Weight kg/m	Max working load (N)	Plate/Rubber Thickness mm
-------------	------	--------------------	-------------	----------------------	---------------------------

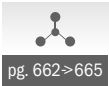
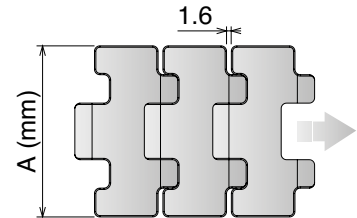
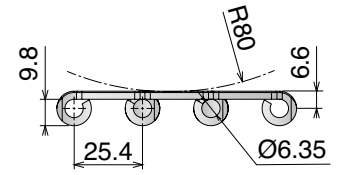
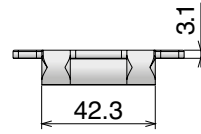
**SSE Specially treated Ferritic Stainless Steel (1.4589) - Hardened pins**

10060107	SSE 8157 GT K750	190,5	6,00	10000	Plate 3,1 Rubber 3
----------	------------------	-------	------	-------	--------------------

## 512 Catena rettilinea Straight running chain / Geradegängige Scharnierbandkette

Delivery: **Easy** **Standard**

Pins: Martensitic 1.4057 | Backflex radius min.: 80 mm



Article-Nr.	Ref.	A (Plate Width) mm	Weight kg/m	Surface finish µm	Max working load (N)	Plate Thickness mm
-------------	------	--------------------	-------------	-------------------	----------------------	--------------------

### SSE Specially treated Ferritic Stainless Steel (1.4589) - Hardened pins

10070100	SSE 512 K217	55,1	2,30	0,3	5000	3,1
10070101	SSE 512 K236	59,9	2,40	0,3		
10070108	SSE 512 K250	63,5	2,45	0,3		
10070109	SSE 512 K283	71,9	2,65	0,3		
10070102	SSE 512 K325	82,5	2,90	0,3		
10070104	SSE 512 K350	88,9	3,00	0,3		
10070114	SSE 512 K400	101,6	3,30	0,3		

### SSA Austenitic Stainless Steel (AISI 304) - Austenitic pin

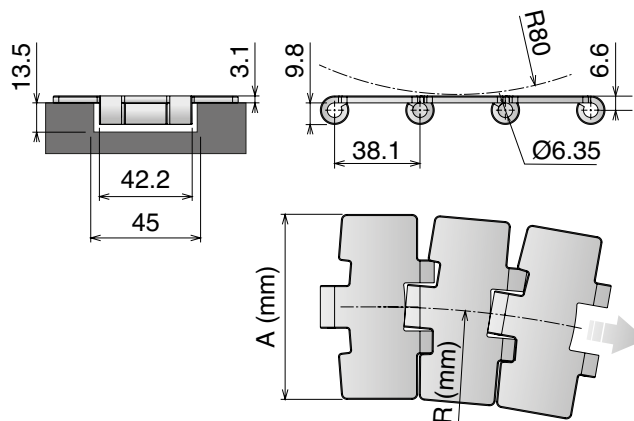
10070400	SSA 512 K217	55,1	2,30	0,3	4500	3,1
10070401	SSA 512 K236	59,9	2,40	0,3		
10070408	SSA 512 K250	63,5	2,45	0,3		
10070409	SSA 512 K283	71,9	2,65	0,3		
10070414	SSA 512 K400	101,6	3,30	0,3		



## 881 M Catena curvilinea Sideflexing chain / Kurvengängige Scharnierbandkette

Delivery: **Easy** **Standard**

Pins: Martensitic 1.4057 | Backflex radius min.: 80 mm



### MAGNETIC SYSTEM



80 links



pg. 78->81-93/108-110



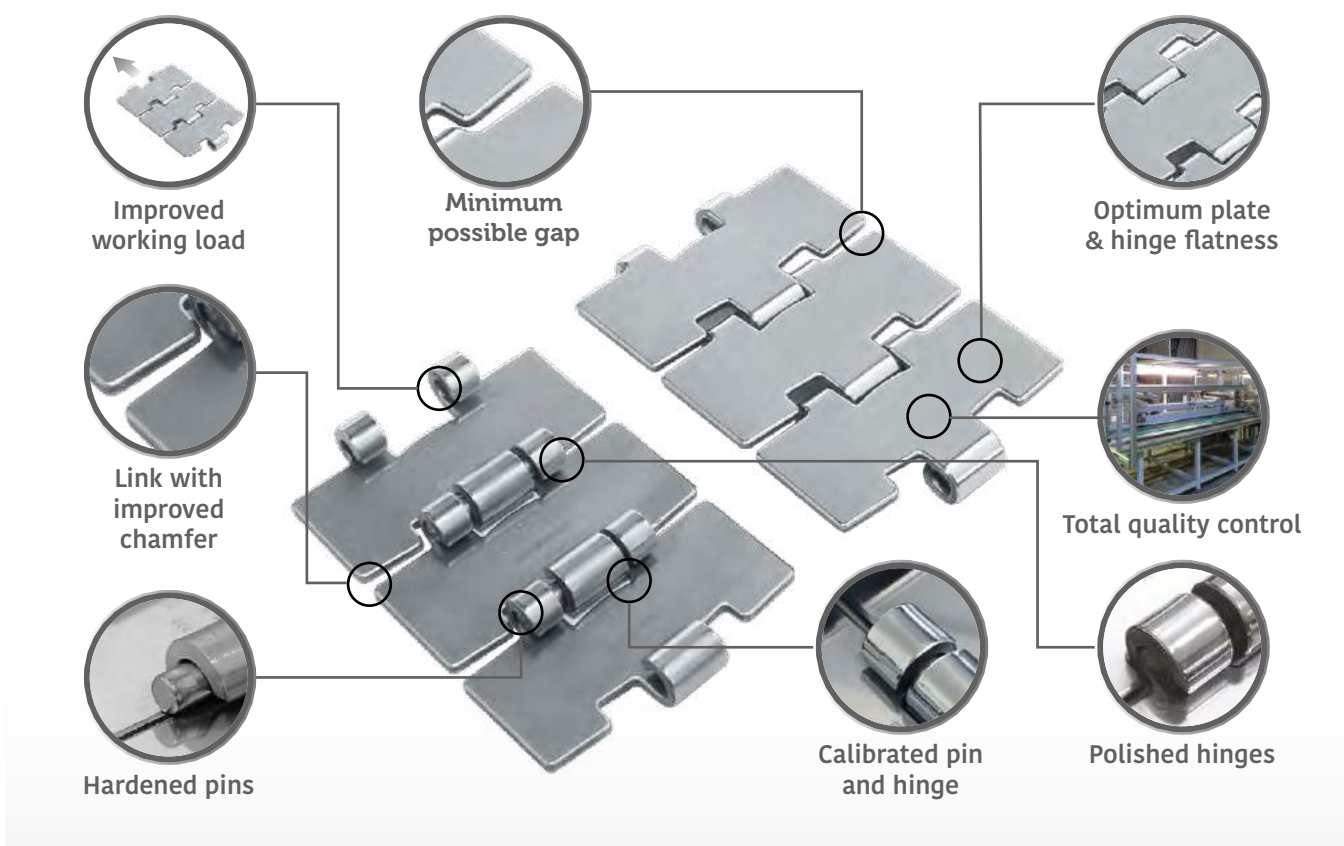
pg. 115->130



pg. 662->665

Article-Nr.	Ref.	A (Plate Width) mm	R mm	Weight kg/m	Surface finish µm	Surface Flatness mm	Polished Hinge eyes	Max working load (N)	Plate Thickness mm
<b>SSM Max Speed - Hardened pins</b>									
10080302	SSM 881 M0 K325	82,5	500	2,55	0,2	0,08	YES	6000	3,1
10080303	SSM 881 M0 K330	83,8	500	2,59	0,2	0,08	YES		

## Max Speed High Performance

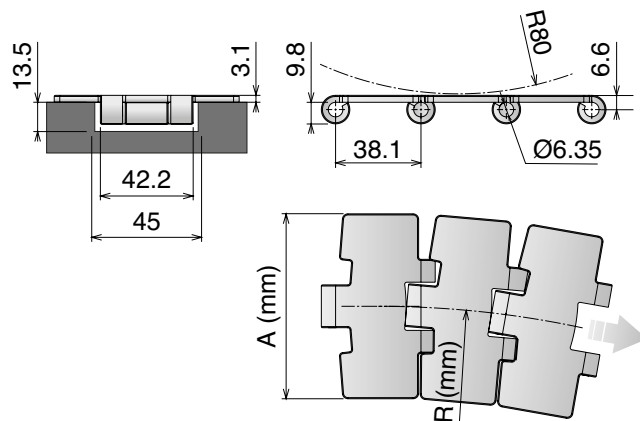


## 881 M

Catena curvilinea  
Sideflexing chain / Kurvengängige Scharnierbandkette

Delivery: **Easy** **Standard**

Pins: Martensitic 1.4057 | Backflex radius min.: 80 mm



**MAGNETIC SYSTEM**



80 links



pg. 78->81-93/108-110



pg. 115->130



pg. 662->665

Article-Nr.	Ref.	A (Plate Width) mm	R mm	Weight kg/m	Surface finish $\mu\text{m}$	Surface Flatness mm	Polished Hinge eyes	Max working load (N)	Plate Thickness mm
-------------	------	--------------------	------	-------------	------------------------------	---------------------	---------------------	----------------------	--------------------

### SS Ferritic Stainless Steel (1.4016)

10080202	SS 881 MO K325	82,5	500	2,55	0,5	0,15	YES	5400	3,1
10080203	SS 881 MO K330	83,8	500	2,59	0,5	0,15	YES		
10080205	SS 881 MO K450	114,3	500	3,10	0,5	0,20	YES		
10080207	SS 881 MO K750	190,5	500	4,85	0,5	0,30	YES		

### SSE Specially treated Ferritic Stainless Steel (1.4589) - Hardened pins

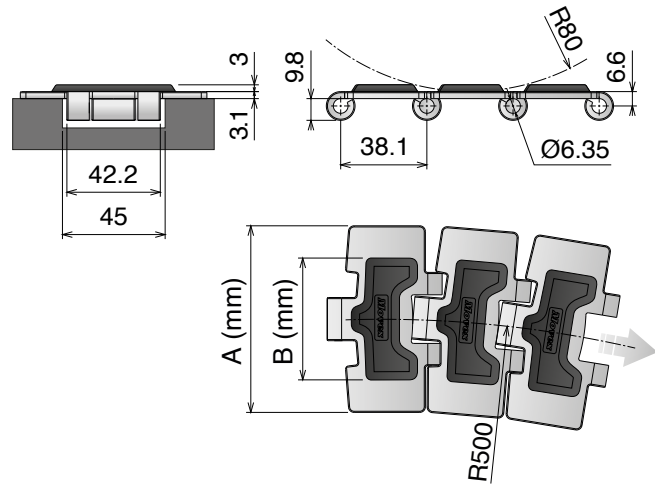
10080102	SSE 881 MO K325	82,5	500	2,55	0,3	0,10	YES	6000	3,1
10080103	SSE 881 MO K330	83,8	500	2,59	0,3	0,10	YES		
10080105	SSE 881 MO K450	114,3	500	3,10	0,3	0,20	YES		
10080107	SSE 881 MO K750	190,5	500	4,85	0,3	0,30	YES		

## 881 M GT

Catena curvilinea  
Sideflexing chain / Kurvengängige Scharnierbandkette

Delivery: **Easy** **Standard**

Pins: Martensitic 1.4057 | Backflex radius min.: 80 mm



### MAGNETIC SYSTEM

10 feet  
3.048 m  
80 links

pg. 78->81-93/108-110

pg. 115->130

pg. 662->665

Article-Nr.	Ref.	A (Plate Width) mm	B (Plate Width) mm	Weight kg/m	Max working load (N)	Plate/Rubber Thickness mm
<b>SSE Specially treated Ferritic Stainless Steel (1.4589) - Hardened pins</b>						
10090102	SSE 881 M GT K325	82,5	57	2,80	6000	Plate 3,1 Rubber 3
10090107	SSE 881 M GT K750	190,5	140	5,00		

# 881 TAB

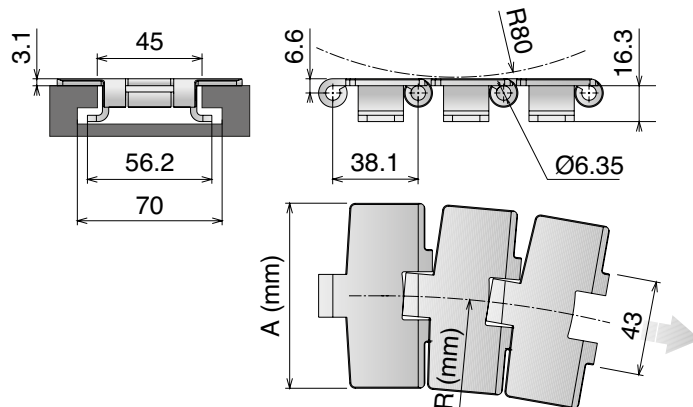
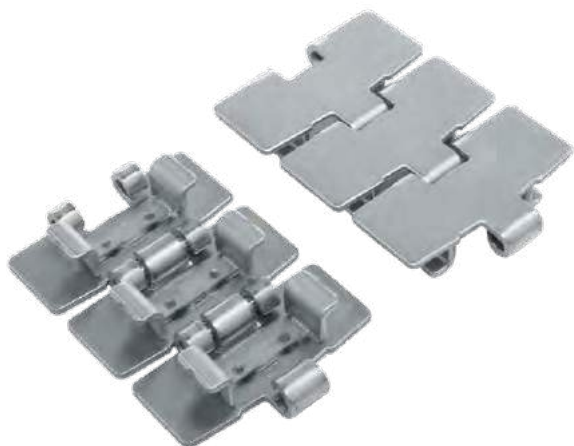
Catene in acciaio / Steel chains / Scharnierbandketten aus Edelstahl

## 881 TAB

Catena curvilinea  
Sideflexing chain / Kurvengängige Scharnierbandkette

Delivery: **Easy** **Standard**

Pins: Martensitic 1.4057 | Backflex radius min.: 80 mm



### TAB SYSTEM



80 links



pg. 80-81/110



pg. 163/175



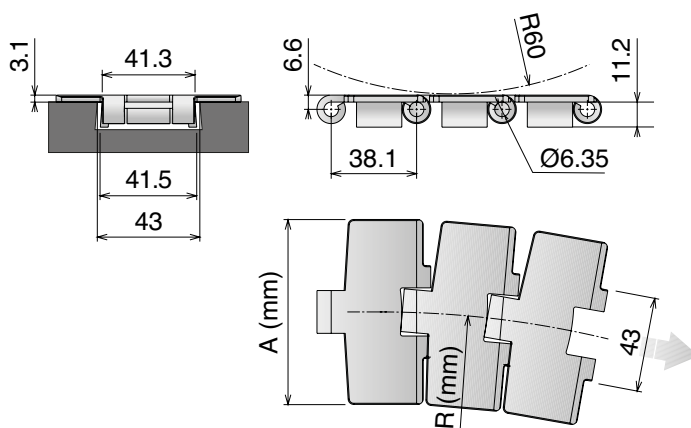
pg. 662>665

Article-Nr.	Ref.	A (Plate Width) mm	R mm	Weight kg/m	Surface finish µm	Max working load (N)	Plate Thickness mm
<b>SS Ferritic Stainless Steel (1.4016)</b>							
10100202	SS 881 TAB K325	82,5	457	3,00	0,3	5400	3,1
<b>SSE Specially treated Ferritic Stainless Steel (1.4589) - Hardened pins</b>							
10100102	SSE 881 TAB K325	82,5	457	3,00	0,3	6000	3,1
10100105	SSE 881 TAB K450	114,3	500	3,69	0,3		
10100107	SSE 881 TAB K750	190,5	500	5,50	0,3		
<b>SSA Austenitic Stainless Steel (AISI 304) - Austenitic pin</b>							
10100402	SSA 881 TAB K325	82,5	457	3,00	0,3	4500	3,1
10100405	SSA 881 TAB K450	114,3	500	3,69	0,3		
10100407	SSA 881 TAB K750	190,5	500	5,50	0,3		

## 881 B

Catena curvilinea  
Sideflexing chain / Kurvengängige Scharnierbandkette

Pins: Martensitic 1.4057 | Backflex radius min.: 60 mm



### BEVEL SYSTEM



10 feet  
3.048 m



80 links  
pg. 80-81/110



pg. 174



pg. 662->665

Article-Nr.	Ref.	A (Plate Width) mm	R mm	Weight kg/m	Surface finish µm	Max working load (N)	Plate Thickness mm
-------------	------	-----------------------	---------	----------------	----------------------	-------------------------	-----------------------

#### SSE Specially treated Ferritic Stainless Steel (1.4589) - Hardened pins

10120102	SSE 881 K325	82,5	457	2,95	0,3	6000	3,1
10120104	SSE 881 K350	88,9	500	3,00	0,3		
10120105	SSE 881 K450	114,3	500	3,65	0,3		
10120107	SSE 881 K750	190,5	500	5,45	0,3		

#### SSA Austenitic Stainless Steel (AISI 304) - Austenitic pin

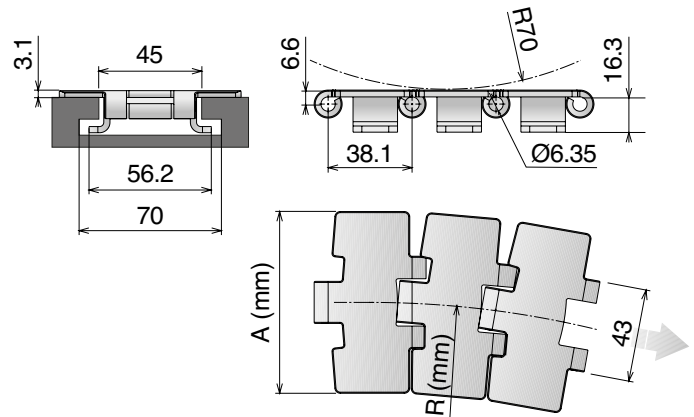
10120402	SSA 881 K325	82,5	457	2,95	0,3	4500	3,1
10120405	SSA 881 K450	114,3	500	3,65	0,3		
10120407	SSA 881 K750	190,5	500	5,45	0,3		

## 8811 TAB

Catena curvilinea  
Sideflexing chain / Kurvengängige Scharnierbandkette

Delivery: **Easy** **Standard**

Pins: Martensitic 1.4057 | Backflex radius min.: 70 mm



### TAB SYSTEM

10 feet 3.048 m			
80 links	pg. 80-81/110	pg. 163/175	pg. 662>665

Article-Nr.	Ref.	A (Plate Width) mm	R mm	Weight kg/m	Surface finish µm	Max working load (N)	Plate Thickness mm
-------------	------	-----------------------	---------	----------------	----------------------	-------------------------	-----------------------

#### SS Ferritic Stainless Steel (1.4016)

10140202	SS 8811 TAB K325	82,5	500	2,95	0,3	5400	3,1
10140203	SS 8811 TAB K330	83,8	500	3,05	0,3		
10140205	SS 8811 TAB K450	114,3	500	3,65	0,3		
10140207	SS 8811 TAB K750	190,5	500	5,45	0,3		

#### SSE Specially treated Ferritic Stainless Steel (1.4589) - Hardened pins

10140102	SSE 8811 TAB K325	82,5	500	2,95	0,3	6000	3,1
10140103	SSE 8811 TAB K330	83,8	500	3,05	0,3		
10140104	SSE 8811 TAB K350	88,9	500	3,15	0,3		
10140105	SSE 8811 TAB K450	114,3	500	3,65	0,3		
10140107	SSE 8811 TAB K750	190,5	500	5,45	0,3		

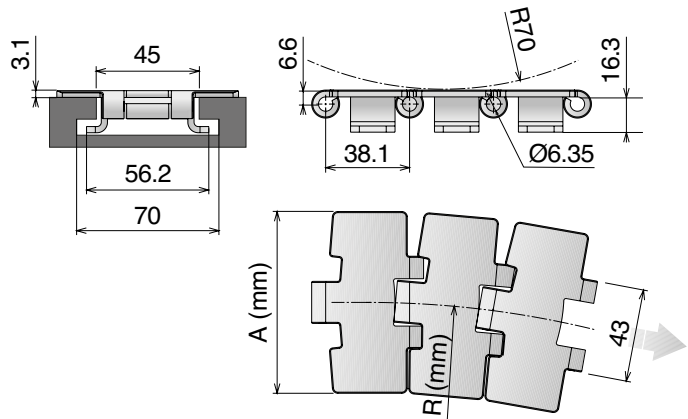
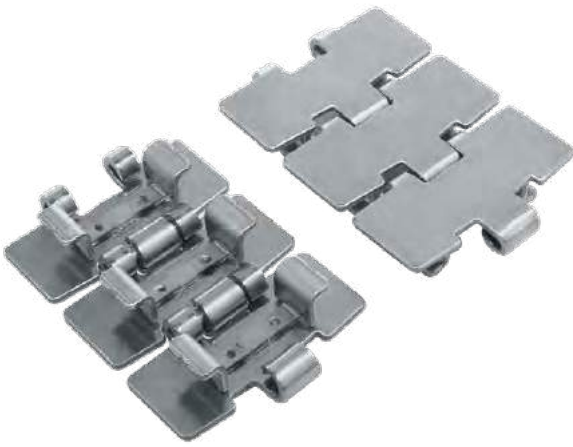
#### SSA Austenitic Stainless Steel (AISI 304) - Austenitic pin

10140402	SSA 8811 TAB K325	82,5	500	2,95	0,3	4500	3,1
10140403	SSA 8811 TAB K330	83,8	500	3,05	0,3		
10140405	SSA 8811 TAB K450	114,3	500	3,65	0,3		
10140407	SSA 8811 TAB K750	190,5	500	5,45	0,3		

## 8811 R TAB

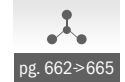
Catena curvilinea  
Sideflexing chain / Kurvengängige Scharnierbandkette

Pins: Martensitic 1.4057 | Backflex radius min.: 80 mm



**TAB SYSTEM**

**SMALL RADIUS**

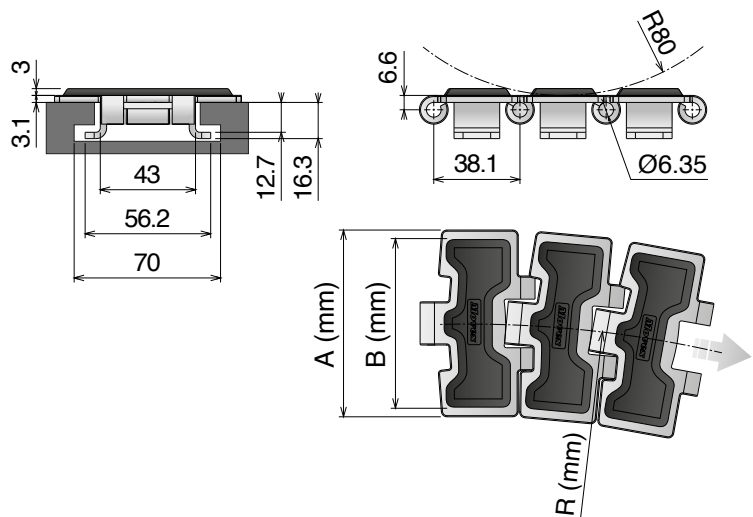


Article-Nr.	Ref.	A (Plate Width) mm	R mm	Weight kg/m	Surface finish µm	Max working load (N)	Plate Thickness mm
<b>SS Ferritic Stainless Steel (1.4016)</b>							
<b>10240202</b>	<b>SS 8811R TAB K325</b>	82,5	200	2,78	0,3	5400	3,1

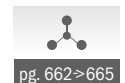
## 8811 TAB GT

Catena curvilinea  
Sideflexing chain / Kurvengängige Scharnierbandkette

Pins: Martensitic 1.4057 | Backflex radius min.: 80 mm



**TAB SYSTEM**



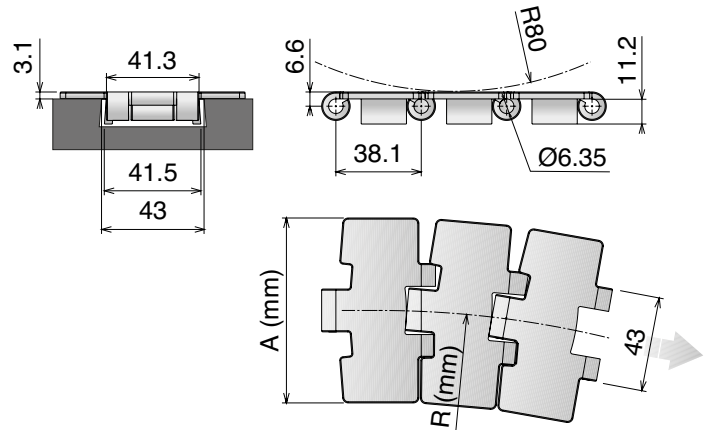
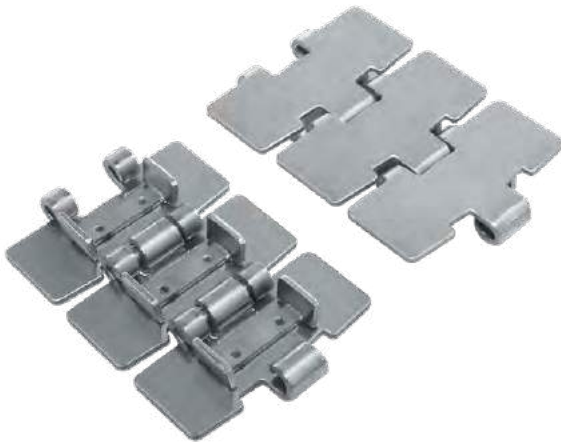
Article-Nr.	Ref.	A (Plate Width) mm	B (Plate Width) mm	R mm	Weight kg/m	Max working load (N)	Plate/Rubber Thickness mm
<b>SSE Specially treated Ferritic Stainless Steel (1.4589) - Hardened pins</b>							
<b>10150102</b>	<b>SSE 8811 TAB GT K325</b>	82,5	75	500	3,20	6000	Plate 3,1
<b>10150107</b>	<b>SSE 8811 TAB GT K750</b>	190,5	140	500	5,70		Rubber 3

## 8811 B

Catena curvilinea  
Sideflexing chain / Kurvengängige Scharnierbandkette

Delivery: **Easy** **Standard**

Pins: Martensitic 1.4057 | Backflex radius min.: 80 mm



### BEVEL SYSTEM

10 feet 3.048 m			
80 links	pg. 80-81/110	pg. 174	pg. 662>665

Article-Nr.	Ref.	A (Plate Width) mm	R mm	Weight kg/m	Surface finish µm	Max working load (N)	Plate Thickness mm
-------------	------	-----------------------	---------	----------------	----------------------	-------------------------	-----------------------

#### SSE Specially treated Ferritic Stainless Steel (1.4589) - Hardened pins

<b>10160102</b>	<b>SSE 8811 K325</b>	82,5	500	2,90	0,3	6000	3,1
<b>10160104</b>	<b>SSE 8811 K350</b>	88,9	500	3,15	0,3		
<b>10160105</b>	<b>SSE 8811 K450</b>	114,3	500	3,60	0,3		
<b>10160107</b>	<b>SSE 8811 K750</b>	190,5	500	5,40	0,3		

#### SSA Austenitic Stainless Steel (AISI 304) - Austenitic pin

<b>10160402</b>	<b>SSA 8811 K325</b>	82,5	500	2,90	0,3	4500	3,1
<b>10160404</b>	<b>SSA 8811 K350</b>	88,9	500	3,15	0,3		
<b>10160405</b>	<b>SSA 8811 K450</b>	114,3	500	3,60	0,3		
<b>10160407</b>	<b>SSA 8811 K750</b>	190,5	500	5,40	0,3		

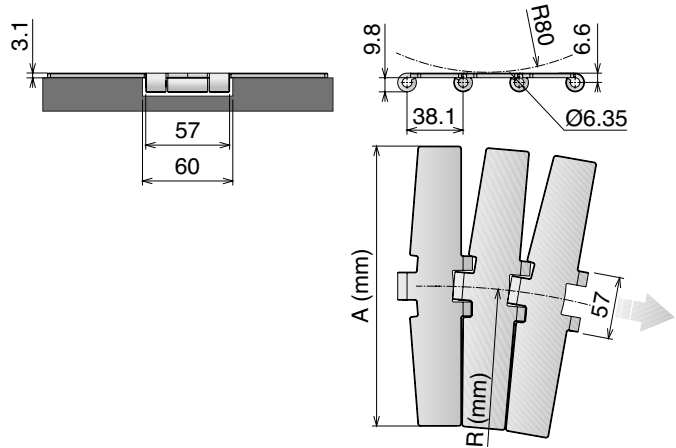
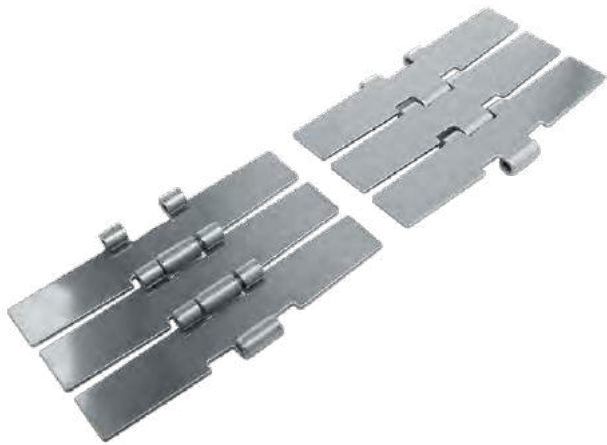


## 8857 M

Catena curvilinea  
Sideflexing chain / Kurvengängige Scharnierbandkette

Delivery: **Easy** **Standard**

Pins: Martensitic 1.4057 | Backflex radius min.: 80 mm



**MAGNETIC SYSTEM**



80 links



pg. 83-93/110



pg. 132->134



pg. 662->665

Article-Nr.	Ref.	A (Plate Width) mm	R mm	Weight kg/m	Surface finish µm	Max working load (N)	Plate Thickness mm
-------------	------	--------------------	------	-------------	-------------------	----------------------	--------------------

**SSE Specially treated Ferritic Stainless Steel (1.4589) - Hardened pins**

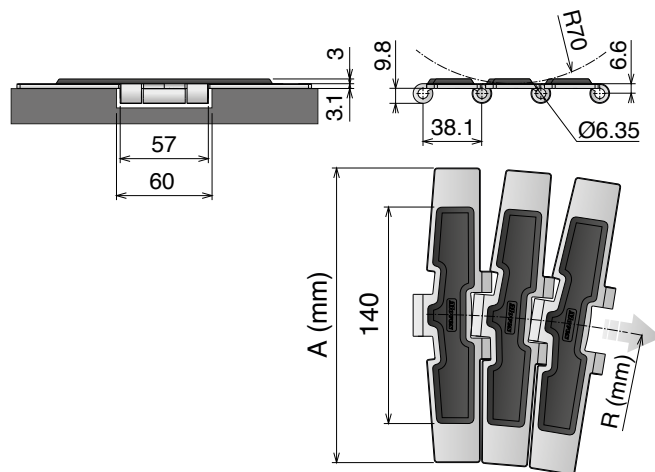
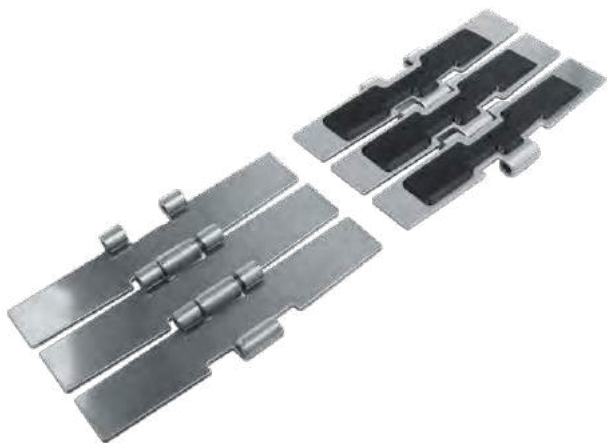
10180107	SSE 8857 M K750	190,5	750	5,30	0,3	10000	3,1
----------	-----------------	-------	-----	------	-----	-------	-----

## 8857 M GT

Catena curvilinea  
Sideflexing chain / Kurvengängige Scharnierbandkette

Delivery: **Easy** **Standard**

Pins: Martensitic 1.4057 | Backflex radius min.: 70 mm



**MAGNETIC SYSTEM**



80 links



pg. 83-93/110



pg. 131->136



pg. 662->665

Article-Nr.	Ref.	A (Plate Width) mm	R mm	Weight kg/m	Surface finish µm	Max working load (N)	Plate/Rubber Thickness mm
-------------	------	--------------------	------	-------------	-------------------	----------------------	---------------------------

**SSE Specially treated Ferritic Stainless Steel (1.4589) - Hardened pins**

10190107	SSE 8857 M GT K750	190,5	750	5,70	0,3	10000	Plate 3,1 Rubber 3
----------	--------------------	-------	-----	------	-----	-------	--------------------

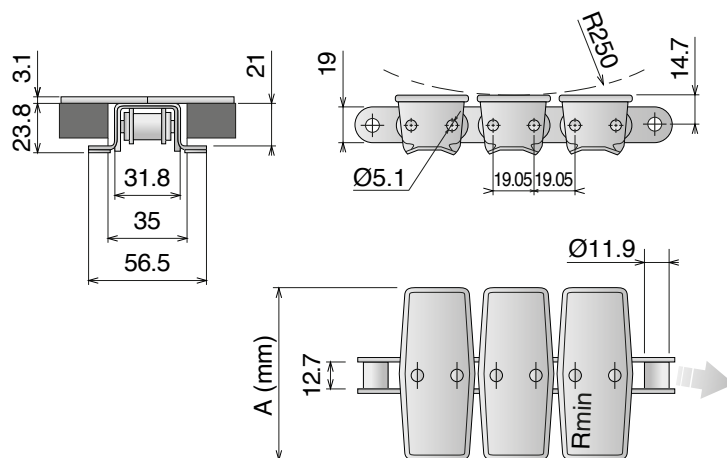
# 1874 TAB

Catene in acciaio / Steel chains / Scharnierbandketten aus Edelstahl

## 1874 TAB Catena curvilinea Sideflexing chain / Kurvengängige Scharnierbandkette

Delivery: **Easy** **Standard**

Backflex radius min.: 250 mm



Standard length roller chain: 160 Pitches

**TAB SYSTEM**

10 feet  
3.048 m  
80 links

**SPROCKET**  
ASA 60  
Standard on  
market

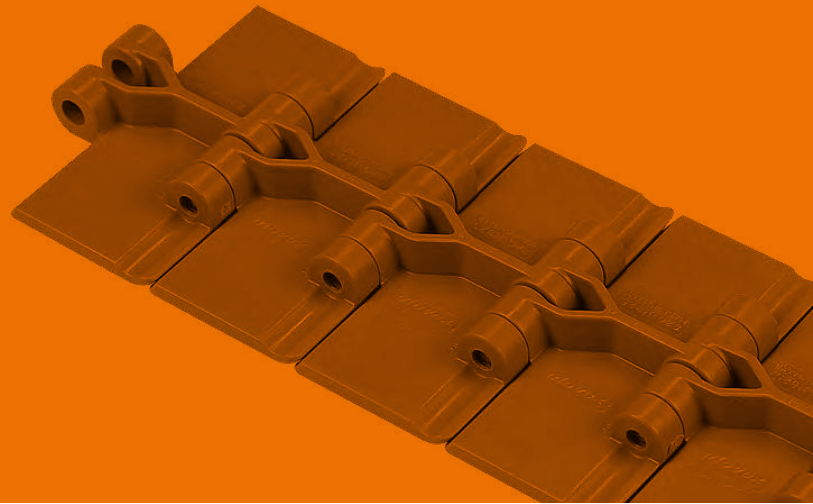
pg. 167/176

pg. 662>665

Article-Nr.	Ref.	A (Plate Width) mm	R mm	Weight kg/m	Surface finish µm	Max working load (N)	Plate Thickness mm
-------------	------	-----------------------	---------	----------------	----------------------	-------------------------	-----------------------

**SSA Austenitic Stainless Steel (AISI 304)**

10220202	SS 1874 TAB K325	82,5	381	4,20	0,5	4500	3,1
10220205	SS 1874 TAB K450	114,3	381	4,80	0,5		
10220206	SS 1874 TAB K600	152,4	457	5,70	0,5		
10220207	SS 1874 TAB K750	190,5	610	6,40	0,5		









<b>820</b>  Pag 29/30	<b>820 V</b>  Pag 31	<b>820 Plastic pin</b>  Pag 31	<b>828</b>  Pag 32	<b>831</b>  Pag 33	<b>821</b>  Pag 34
---	---	---	---	--	---

<b>821 GT</b>  Pag 35	<b>821 LBP</b>  Pag 36	<b>8257</b>  Pag 37	<b>8257 GT</b>  Pag 38	<b>8257 LBP</b>  Pag 39	<b>878 TAB</b>  Pag 40
---	---	--	---	---	---







<b>879 M</b>  Pag 41	<b>879 TAB</b>  Pag 42	<b>888 TAB</b>  Pag 43	<b>888 TAB GT</b>  Pag 44	<b>880 M</b>  Pag 45	<b>880 TAB</b>  Pag 46
--	---	---	--	--	---

<b>880 V TAB</b>  Pag 47	<b>880 TAB Plastic pin</b>  Pag 48	<b>880 TAB B0</b>  Pag 48	<b>880 B</b>  Pag 49	<b>882 M</b>  Pag 50	<b>882 M GT</b>  Pag 51
--	---	--	---	--	--

<b>882 M LBP</b>  Pag 52	<b>882 TAB</b>  Pag 53	<b>882 TAB GT</b>  Pag 54	<b>882 TAB LBP</b>  Pag 55	<b>1873</b>  Pag 56	<b>1873 GT</b>  Pag 57
--	---	--	---	---	---

<b>1873 GRIPPER GS1</b>  Pag 58	<b>1873 GRIPPER GS2</b>  Pag 59	<b>1873 GRIPPER GS4</b>  Pag 60	<b>1873 D-SHAPE</b>  Pag 61	<b>1873 MX1</b>  Pag 62	<b>1873 MX2</b>  Pag 63
---	--	--	--	---	--

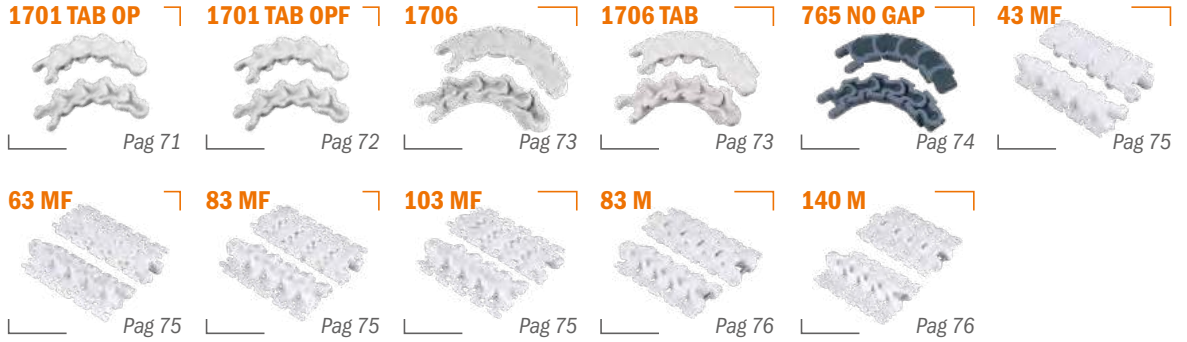
<b>878 GRIPPER GS1</b>  Pag 64	<b>878 GRIPPER GS2</b>  Pag 64	<b>878 GRIPPER GS4</b>  Pag 64	<b>1843</b>  Pag 65	<b>SP 1883</b>  Pag 66	<b>SP 1883 GT</b>  Pag 67
--	---	---	--	--	--

<b>CC 600</b>  Pag 68	<b>CC 600 TAB</b>  Pag 68	<b>CC 600 D</b>  Pag 69	<b>CC 600 D TAB</b>  Pag 69	<b>CC 1400</b>  Pag 70	<b>CC 1400 TAB</b>  Pag 70
---	--	--	--	--	---

Material Info:



pg. 651 > 661



# PFX

The best choice for dry running applications.

**PFX** is the plastic material specifically developed for chains and belts in order to run with limited lubrication or in dry applications where the demands are extreme concerning speed, performance & efficiency.

Realizing the many advantages and the versatility of our plastic compound, a growing number of companies are implementing **PFX** into their production lines with excellent results. Contact us, and request a free quotation!

## Plastic chains available:

**820 FT**



**828 FT**



**880 M**



**880 TAB**



### Low friction

Developed to reduce friction between chain and product, and chain and wearstrip.



### Minimal dusting

Developed to avoid dusting under extreme circumstances.



### Food contact Certified

PFX material is suitable in food application.



### High performance

Longer wear life lead to excellent and long enduring product handling features.



### Control of cost

Better control of total cost & sustainable conveyor technology.



### Patented material

PFX is an exclusive product of Movex.

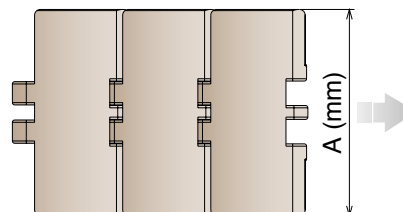
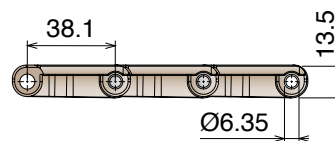
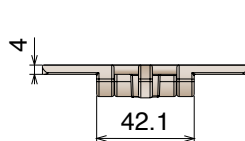
Other different types of product in PFX are on request.

# 820

Catena rettilinea  
Straight running chain / Geradegängige Scharnierbandkette

**IMPROVED DESIGN**Delivery: **Easy** **Standard**

Pins: Stainless Steel | Backflex radius min.: 50 mm



80 links



84-85-94/108



pg. 651&gt;661

Article-Nr.	Ref.	A (Plate Width) mm	Weight kg/m	Max working load N	Material
11010102	LF 820 K325	82,5	0,89	1625	LF
11010103	LF 820 K330	83,8	0,90		
11010104	LF 820 K350	88,9	0,91		
11010114	LF 820 K400	101,6	0,95		
11010105	LF 820 K450	114,3	1,00		
11010106	LF 820 K600	152,4	1,22		
11010107	LF 820 K750	190,5	1,43		
11010302	MX 820 K325	82,5	0,89	1260	MX
11010303	MX 820 K330	83,8	0,90		
11010304	MX 820 K350	88,9	0,91		
11010314	MX 820 K400	101,6	0,95		
11010305	MX 820 K450	114,3	1,00		
11010306	MX 820 K600	152,4	1,22		
11010307	MX 820 K750	190,5	1,43		

## 820 Series

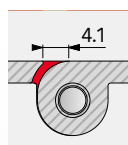
PRODUCT UPDATE

Movex created an optimized version in which the gap between the links is 45% lower and the contact surface has increased up to a maximum of 15%: the result is an improved product stability. The new design is completely interchangeable and connectable with the previous one.

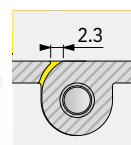
### Advantages:

- Improved stability
- Increased sliding surface
- Minimized open gap
- Same backflex radius

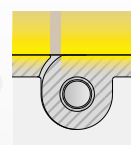
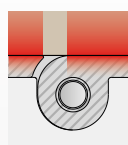
PREVIOUS VERSION



CURRENT VERSION



**-45%**  
OPEN GAP



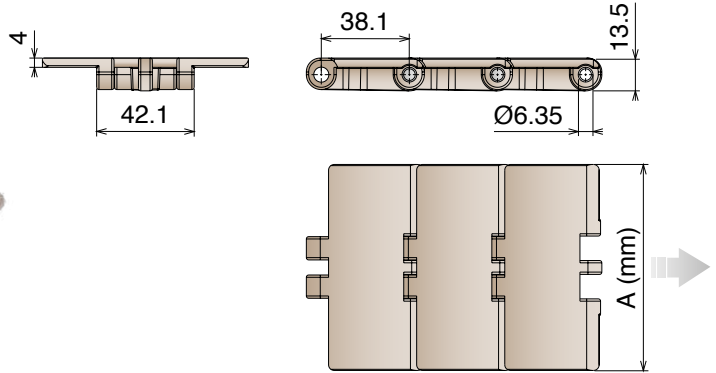
**+15%**  
CONTACT SURFACE

## 820 Catena rettilinea Straight running chain / Geradegängige Scharnierbandkette

**IMPROVED DESIGN**

Delivery: **Easy** **Standard**

Pins: Stainless Steel | Backflex radius min.: 50 mm



**-45%**  
OPEN GAP

**+15%**  
CONTACT SURFACE

10 feet  
3.048 m  
80 links

84-85-94/108

pg. 651>661

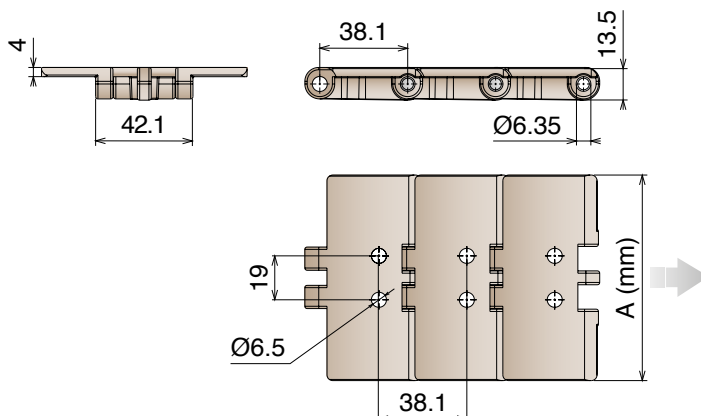
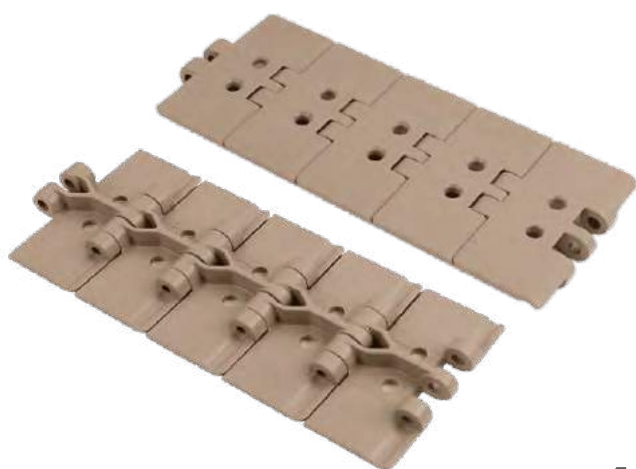
Article-Nr.	Ref.	A (Plate Width) mm	Weight kg/m	Max working load N	Material
11013002	PFX 820 K325	82,5	0,89	1260	PFX
11013003	PFX 820 K330	83,8	0,90		
11013004	PFX 820 K350	88,9	0,91		
11013014	PFX 820 K400	101,6	0,95		
11013005	PFX 820 K450	114,3	1,00		
11013006	PFX 820 K600	152,4	1,22		
11013007	PFX 820 K750	190,5	1,43		
11012502	MPX 820 K325	82,5	0,89	1625	MPX
11012503	MPX 820 K330	83,8	0,90		
11012504	MPX 820 K350	88,9	0,91		
11012514	MPX 820 K400	101,6	0,95		
11012505	MPX 820 K450	114,3	1,00		
11012506	MPX 820 K600	152,4	1,22		
11012507	MPX 820 K750	190,5	1,43		
11011602	DKM 820 K325	82,5	0,89	1625	DKM
11011603	DKM 820 K330	83,8	0,90		
11011604	DKM 820 K350	88,9	0,91		
11011614	DKM 820 K400	101,6	0,95		
11011605	DKM 820 K450	114,3	1,00		
11011606	DKM 820 K600	152,4	1,22		
11011607	DKM 820 K750	190,5	1,43		
11011702	MWX 820 K325	82,5	0,89	1625	MWX
11011703	MWX 820 K330	83,8	0,90		
11011704	MWX 820 K350	88,9	0,91		
11011714	MWX 820 K400	101,6	0,95		
11011705	MWX 820 K450	114,3	1,00		
11011706	MWX 820 K600	152,4	1,22		
11011707	MWX 820 K750	190,5	1,43		

## 820 V

Catena rettilinea  
Straight running chain / Geradegängige Scharnierbandkette

**IMPROVED DESIGN**

Pins: Stainless Steel | Backflex radius min.: 50 mm



**-45%**  
OPEN GAP

**+15%**  
CONTACT SURFACE

10 feet  
3.048 m  
80 links

84-85-94/108

pg. 651>661

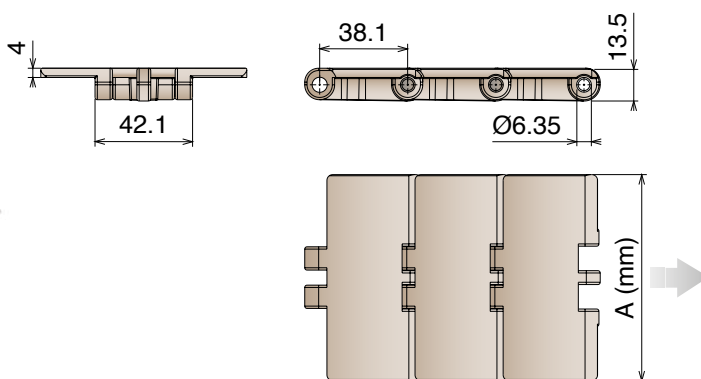
Article-Nr.	Ref.	A (Plate Width) mm	Weight kg/m	Max working load N	Material
11550102	LF 820 V2 K325	82,5	0,89	1625	LF
11550105	LF 820 V2 K450	114,3	1,00		

## 820

**Plastic pin** Catena rettilinea con perno in plastica  
Straight running chain with plastic pin / Geradegängige Scharnierbandkette mit plastic bolzen

**IMPROVED DESIGN**

Pins: Reinforced acetal resin | Backflex radius min.: 50 mm



**-45%**  
OPEN GAP

**+15%**  
CONTACT SURFACE

10 feet  
3.048 m  
80 links

84-85-94/108

pg. 651>661

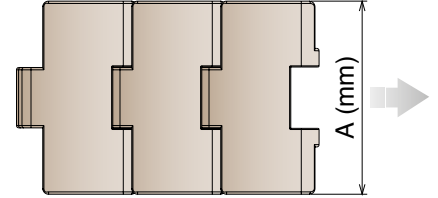
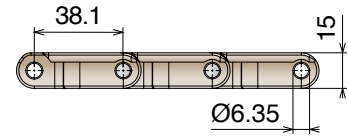
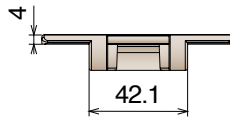
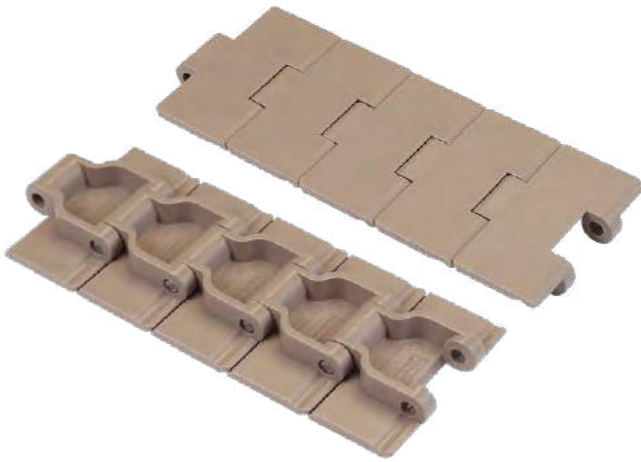
Article-Nr.	Ref.	A (Plate Width) mm	Weight kg/m	Max working load N	Material
11630102	LF 820 K325	82,5	0,69	650	LF
11630105	LF 820 K450	114,3	0,80		

828

Catena rettilinea  
Straight running chain / Geradegängige Scharnierbandkette

Delivery: **Easy** **Standard**

Pins: Stainless Steel | Backflex radius min.: 50 mm



80 links



pg. 88-89/108



pg. 651>661

Article-Nr.	Ref.	A (Plate Width) mm	Weight kg/m	Max working load N	Material
11020102	LF 828 K325	82,5	1,07	2320	LF
11020103	LF 828 K330	83,8	1,13		
11020302	MX 828 K325	82,5	1,07	1860	MX
11020303	MX 828 K330	83,8	1,13		
11023002	PFX 828 K325	82,5	1,07	1860	PFX
11023003	PFX 828 K330	83,8	1,13		
11022502	MPX 828 K325	82,5	1,07	2320	MPX
11022503	MPX 828 K330	83,8	1,13		

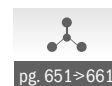
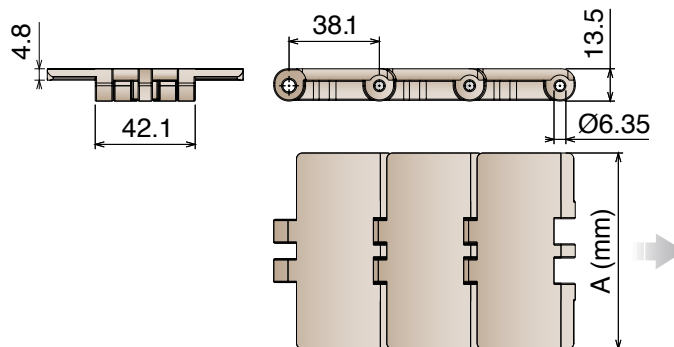


# 831

Catena rettilinea  
Straight running chain / Geradegängige Scharnierbandkette

Delivery: **Easy** **Standard**

Pins: Stainless Steel | Backflex radius min.: 50 mm

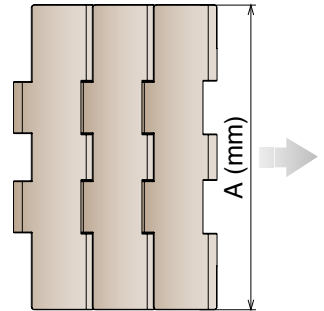
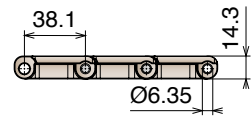


Article-Nr.	Ref.	A (Plate Width) mm	Weight kg/m	Max working load N	Material
11030102	LF 831 K325	82,5	1,00	1625	LF
11030105	LF 831 K450	114,3	1,28		
11030107	LF 831 K750	190,5	1,80		
11030302	MX 831 K325	82,5	1,00	1260	MX
11030305	MX 831 K450	114,3	1,28		
11030307	MX 831 K750	190,5	1,80		

## 821 Catena rettilinea Straight running chain / Geradegängige Scharnierbandkette

Delivery: **Easy** **Standard**

Pins: Stainless Steel | Backflex radius min.: 50 mm



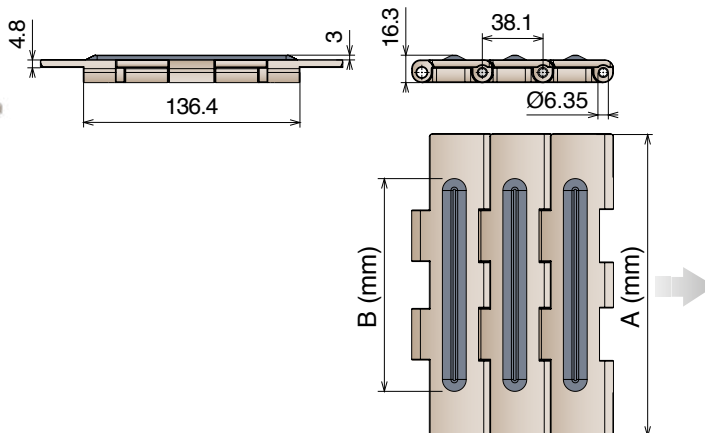
Article-Nr.	Ref.	A (Plate Width) mm	Weight kg/m	Max working load N	Material
11040107	LF 821 K750	190,5	2,55	2770	LF
11040108	LF 821 K1000	254,0	3,05		
11040109	LF 821 K1200	304,8	3,35		
11040307	MX 821 K750	190,5	2,55	2200	MX
11040308	MX 821 K1000	254,0	3,05		
11040309	MX 821 K1200	304,8	3,35		
11042507	MPX 821 K750	190,5	2,55	2770	MPX
11042508	MPX 821 K1000	254,0	3,05		
11042509	MPX 821 K1200	304,8	3,35		

## 821 GT

Catena rettilinea  
Straight running chain / Geradegängige Scharnierbandkette

Delivery: **Easy** **Standard**

Pins: Stainless Steel | Backflex radius min.: 50 mm | TPE Rubber: 50 ShA



Article-Nr.	Ref.	A (Plate Width) mm	B (Rubber Width) mm	Weight kg/m	Max working load N	Material
11050107	LF 821 GT K750	190,5	134,0	2,55	2770	LF
11050108	LF 821 GT K1000	254,0	192,0	3,05		
11050109	LF 821 GT K1200	304,8	252,0	3,35		
11050307	MX 821 GT K750	190,5	134,0	2,55	2200	MX
11050308	MX 821 GT K1000	254,0	192,0	3,05		
11050309	MX 821 GT K1200	304,8	252,0	3,35		

# 821 LBP

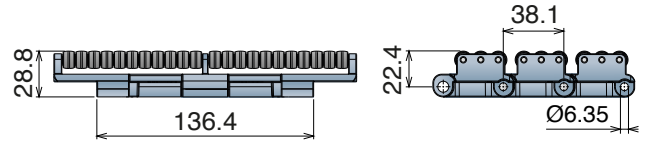
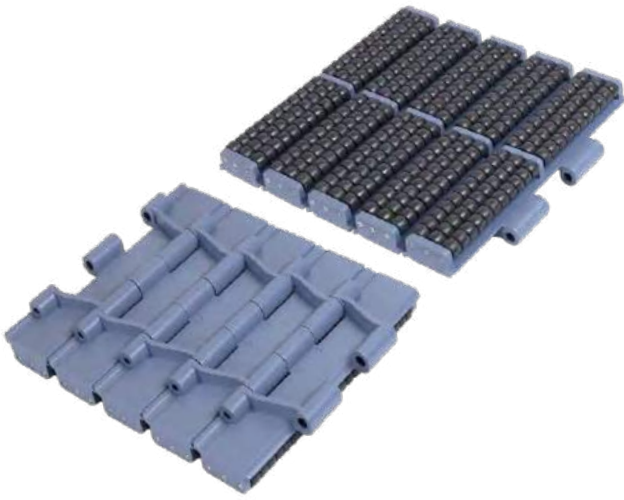
Catene in plastica / Plastic chains / Kunststoffkette

## 821 LBP

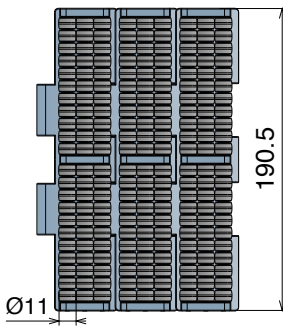
Catena rettilinea  
Straight running chain / Geradegängige Scharnierbandkette

Delivery: **Easy** **Standard**

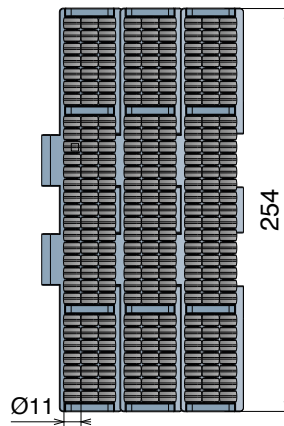
Pins: Stainless Steel | Backflex radius min.: 150 mm



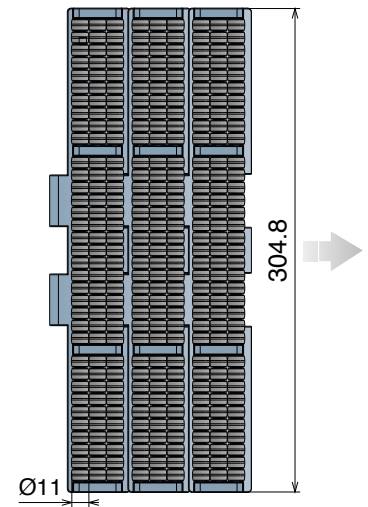
### K750



### K1000



### K1200



5 feet  
1.524 m  
40 links

pg. 82/109

pg. 651>661

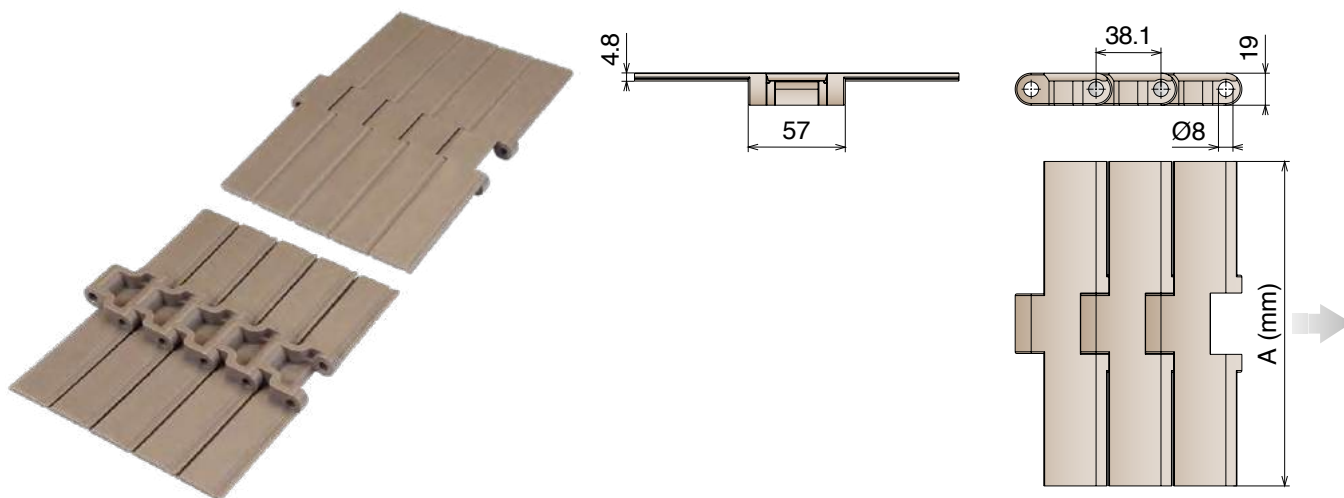
Article-Nr.	Ref.	Plate Width mm	Weight kg/m	Max working load N	Material
11060107	LFA 821 LBP K750	190,5	5,70	2770	LFA
11060108	LFA 821 LBP K1000	254,0	7,05		
11060109	LFA 821 LBP K1200	304,8	8,21		

# 8257

Catena rettilinea  
Straight running chain / Geradegängige Scharnierbandkette

Delivery: **Easy** Standard

Pins: Stainless Steel | Backflex radius min.: 50 mm

10 feet  
3.048 m

pg. 90-91/110



pg. 651&gt;661

80 links

Article-Nr.	Ref.	A (Plate Width) mm	Weight kg/m	Max working load N	Material
11070107	LF 8257 K750	190,5	2,55	3830	LF
11070108	LF 8257 K1000	254,0	3,05		
11070109	LF 8257 K1200	304,8	3,35		
11070307	MX 8257 K750	190,5	2,55	3050	MX
11070308	MX 8257 K1000	254,0	3,05		
11070309	MX 8257 K1200	304,8	3,35		

# 8257 GT

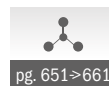
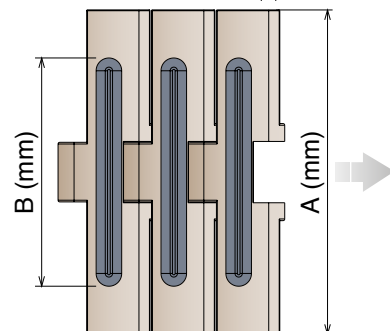
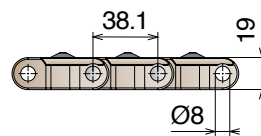
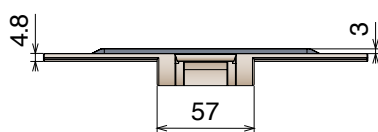
Catene in plastica / Plastic chains / Kunststoffkette

## 8257 GT

Catena rettilinea  
Straight running chain / Geradegängige Scharnierbandkette

Delivery: **Easy** **Standard**

Pins: Stainless Steel | Backflex radius min.: 50 mm | TPE Rubber: 50 ShA



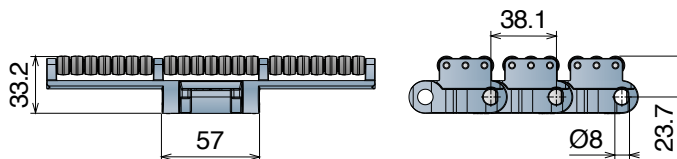
Article-Nr.	Ref.	A (Plate Width) mm	B (Rubber Width) mm	Weight kg/m	Max working load N	Material
11080107	LF 8257 GT K750	190,5	134,0	2,55	3830	LF
11080108	LF 8257 GT K1000	254,0	192,0	2,60		
11080109	LF 8257 GT K1200	304,8	252,0	2,95		

## 8257 LBP

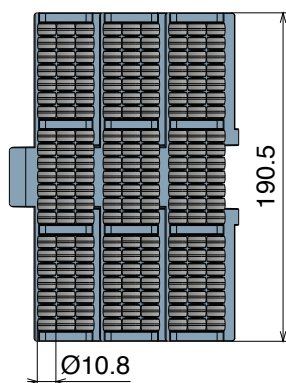
Catena rettilinea  
Straight running chain / Geradegängige Scharnierbandkette

Delivery: **Easy** Standard

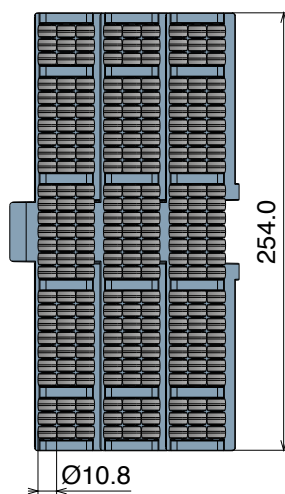
Pins: Stainless Steel | Backflex radius min.: 200 mm



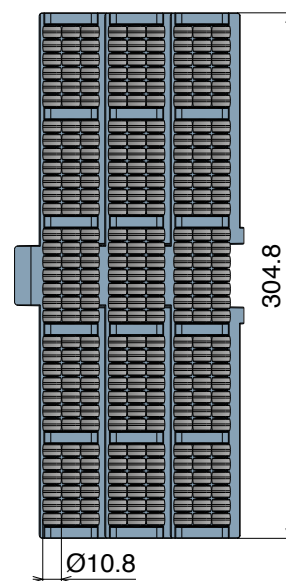
### K750



### K1000



### K1200



Article-Nr.	Ref.	A (Plate Width) mm	Weight kg/m	Max working load N	Material
11090107	LFA 8257 LBP K750	190,5	5,65	3830	LFA
11090108	LFA 8257 LBP K1000	254,0	7,16		
11090109	LFA 8257 LBP K1200	304,8	8,05		

# 878 TAB

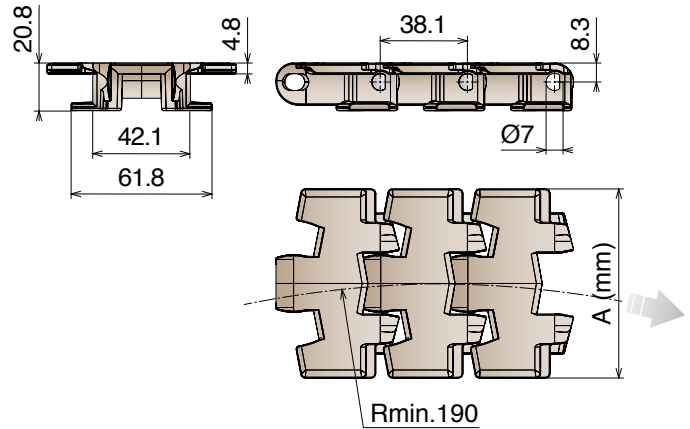
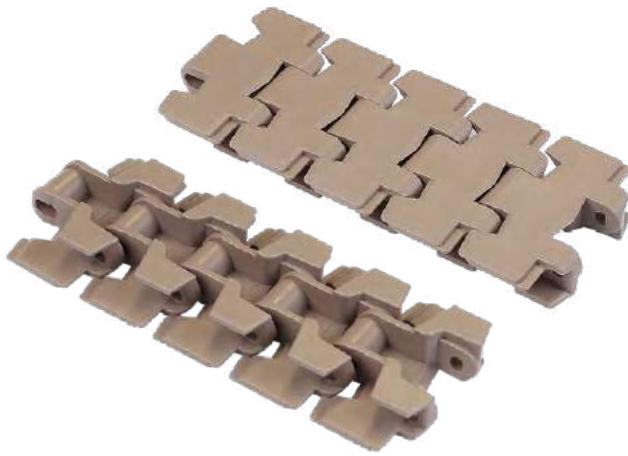
Catene in plastica / Plastic chains / Kunststoffkette

## 878 TAB

Catena curvilinea  
Sideflexing chain / Kurvengängige Scharnierbandkette

Delivery: **Easy** **Standard**

Pins: Stainless Steel | Backflex radius min.: 50 mm



### TAB SYSTEM



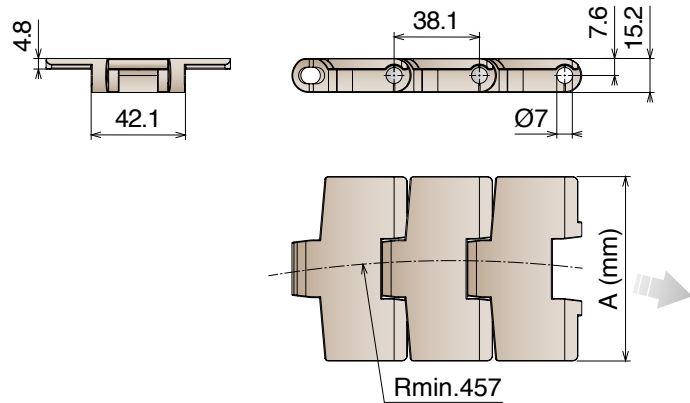
Article-Nr.	Ref.	A (Plate Width) mm	Weight kg/m	Max working load N	Material
11190102	LF 878 TAB K325	82,5	1,06	2200	LF
11190105	LF 878 TAB K450	114,3	1,18		
11190302	MX 878 TAB K325	82,5	1,06	1750	MX
11190305	MX 878 TAB K450	114,3	1,18		
11191602	DKM 878 TAB K325	82,5	1,06	2200	DKM
11191605	DKM 878 TAB K450	114,3	1,18		



## 879 M Catena curvilinea Sideflexing chain / Kurvengängige Scharnierbandkette

Delivery: **Easy** **Standard**

Pins: Ferritic Stainless Steel | Backflex radius min.: 50 mm



**MAGNETIC SYSTEM**

10 feet  
3.048 m  
80 links

pg. 88-89/108

pg. 115->128

pg. 651>661

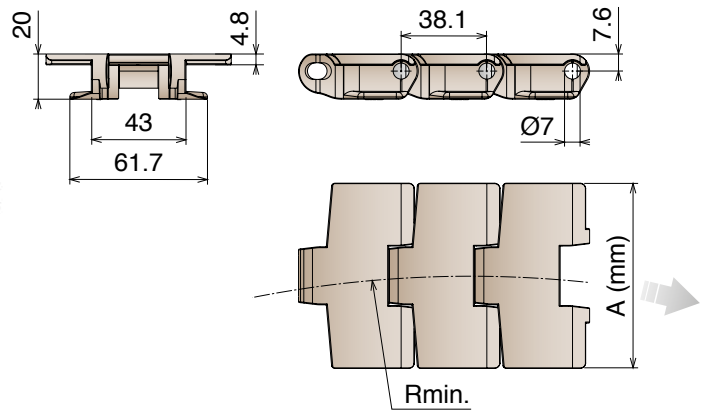
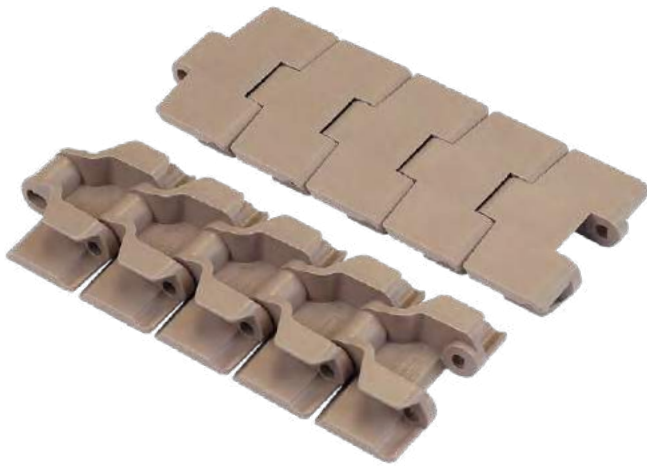
Article-Nr.	Ref.	A (Plate Width) mm	R mm	Weight kg/m	Max working load N	Material
11240102	LF 879 M K325	82,5	457	1,05	2200	LF
11240105	LF 879 M K450	114,3	457	1,15		
11240302	MX 879 M K325	82,5	457	1,05	1750	MX
11240305	MX 879 M K450	114,3	457	1,15		

## 879 TAB

Catena curvilinea  
Sideflexing chain / Kurvengängige Scharnierbandkette

Delivery: **Easy** Standard

Pins: Stainless Steel | Backflex radius min.: 50 mm



### TAB SYSTEM

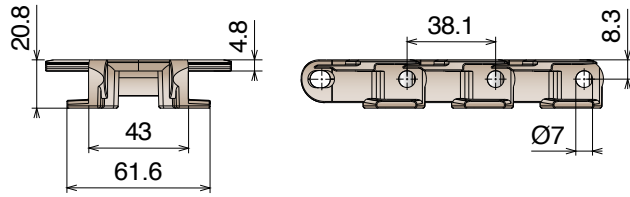


Article-Nr.	Ref.	A (Plate Width) mm	R mm	Weight kg/m	Max working load N	Material
11250102	LF 879 TAB K325	82,5	457	1,01	2200	LF
11250105	LF 879 TAB K450	114,3	457	1,13		
11250302	MX 879 TAB K325	82,5	457	1,01	1750	MX
11250305	MX 879 TAB K450	114,3	457	1,13		
11252502	MPX 879 TAB K325	82,5	457	1,01	2200	MPX
11252505	MPX 879 TAB K450	114,3	457	1,13		
11251702	MWX 879 TAB K325	82,5	457	1,01	2200	MWX
11251705	MWX 879 TAB K450	114,3	457	1,13		

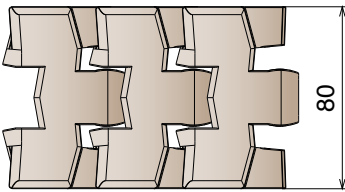
## 888 TAB

Catena curvilinea  
Sideflexing chain / Kurvengängige Scharnierbandkette

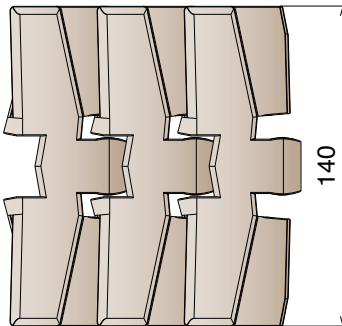
Pins: Stainless Steel | Backflex radius min.: 150 mm



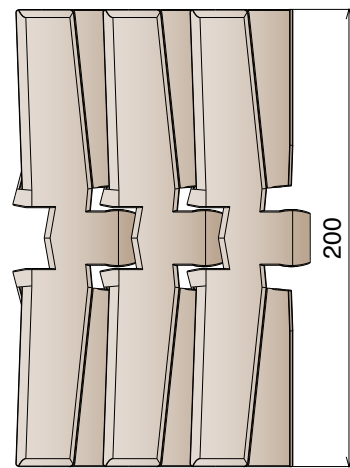
### W80



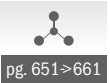
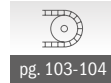
### W140



### W200



#### TAB SYSTEM



Article-Nr.	Ref.	Plate Width mm	R mm	Weight kg/m	Max working load N	Material
11700119	LF 888 TAB W80	80,0	200	1,05	2200	LF
11700120	LF 888 TAB W140	140,0	500	1,32		
11700121	LF 888 TAB W200	200,0	500	1,62		

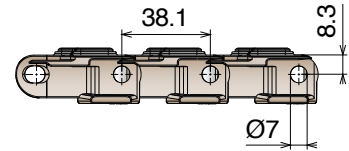
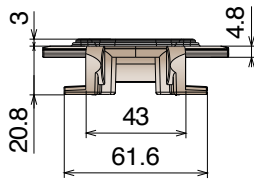
# 888 TAB GT

Catene in plastica / Plastic chains / Kunststoffkette

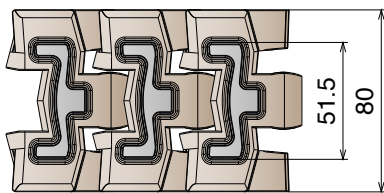
## 888 TAB GT

Catena curvilinea  
Sideflexing chain / Kurvengängige Scharnierbandkette

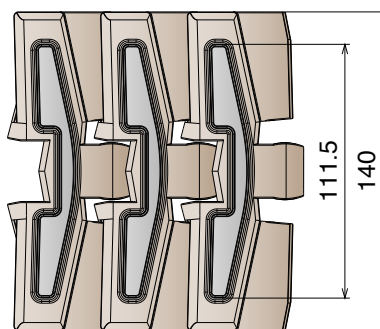
Pins: Stainless Steel | Backflex radius min.: 150 mm | TPE Rubber: 75 ShA



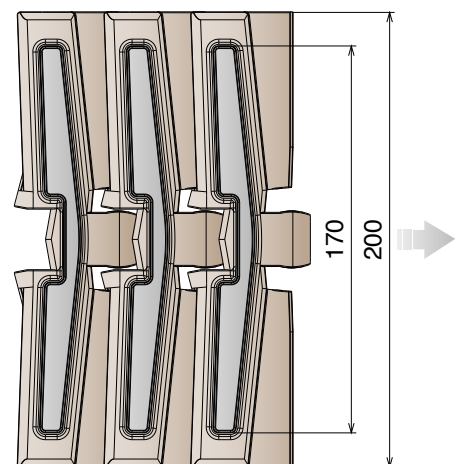
W80



W140



W200



### TAB SYSTEM

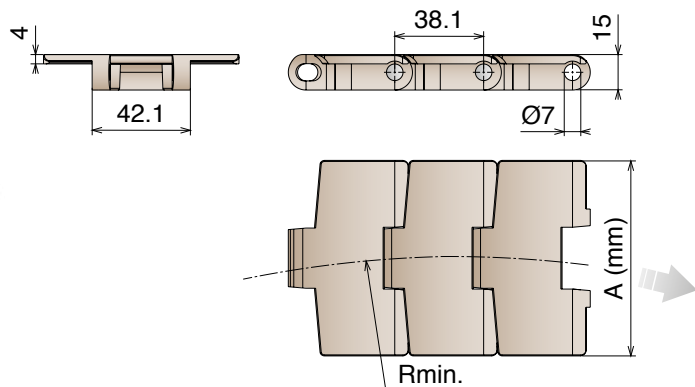
 10 feet 3.048 m	 pg. 88-89	 pg. 103-104	 pg. 165/175	 pg. 651>661
80 links				

Article-Nr.	Ref.	Plate Width mm	R mm	Weight kg/m	Max working load N	Material
11710119	LF 888 TAB GT W80	80,0	200	1,15	2200	LF
11710120	LF 888 TAB GT W140	140,0	500	1,43		
11710121	LF 888 TAB GT W200	200,0	500	1,75		

## 880 M Catena curvilinea Sideflexing chain / Kurvengängige Scharnierbandkette

Delivery: **Easy** **Standard**

Pins: Ferritic Stainless Steel | Backflex radius min.: 50 mm



### MAGNETIC SYSTEM

10 feet  
3.048 m  
80 links

pg. 88-89/108

pg. 115>128

pg. 651>661

Article-Nr.	Ref.	A (Plate Width) mm	R mm	Weight kg/m	Max working load N	Material
11100102	LF 880 M K325	82,5	457	1,05	2200	LF
11100103	LF 880 M K330	83,8	457	1,09		
11100105	LF 880 M K450	114,3	457	1,15		
11100302	MX 880 M K325	82,5	457	1,05	1750	MX
11100303	MX 880 M K330	83,8	457	1,09		
11100305	MX 880 M K450	114,3	457	1,15		
11103002	PFX 880 M K325	82,5	457	1,05	1750	PFX
11103003	PFX 880 M K330	83,8	457	1,09		
11103005	PFX 880 M K450	114,3	457	1,15		
11102502	MPX 880 M K325	82,5	457	1,05	2200	MPX
11102503	MPX 880 M K330	83,8	457	1,09		
11102505	MPX 880 M K450	114,3	457	1,15		
11101702	MWX 880 M K325	82,5	457	1,05	2200	MWX
11101703	MWX 880 M K330	83,8	457	1,09		
11101705	MWX 880 M K450	114,3	457	1,15		

# 880 TAB

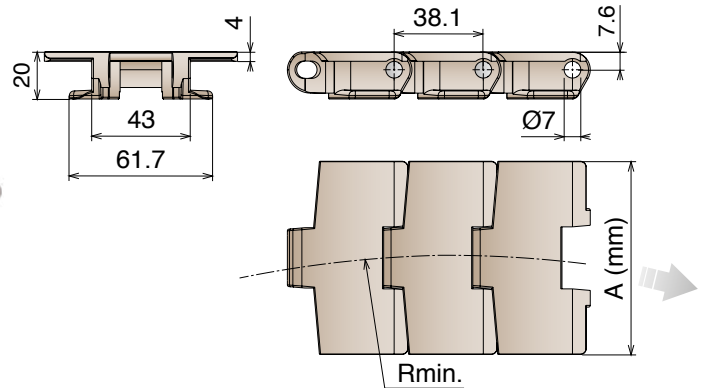
Catene in plastica / Plastic chains / Kunststoffkette

## 880 TAB

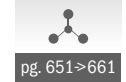
Catena curvilinea  
Sideflexing chain / Kurvengängige Scharnierbandkette

Delivery: **Easy** **Standard**

Pins: Stainless Steel | Backflex radius min.: 40 mm



### TAB SYSTEM



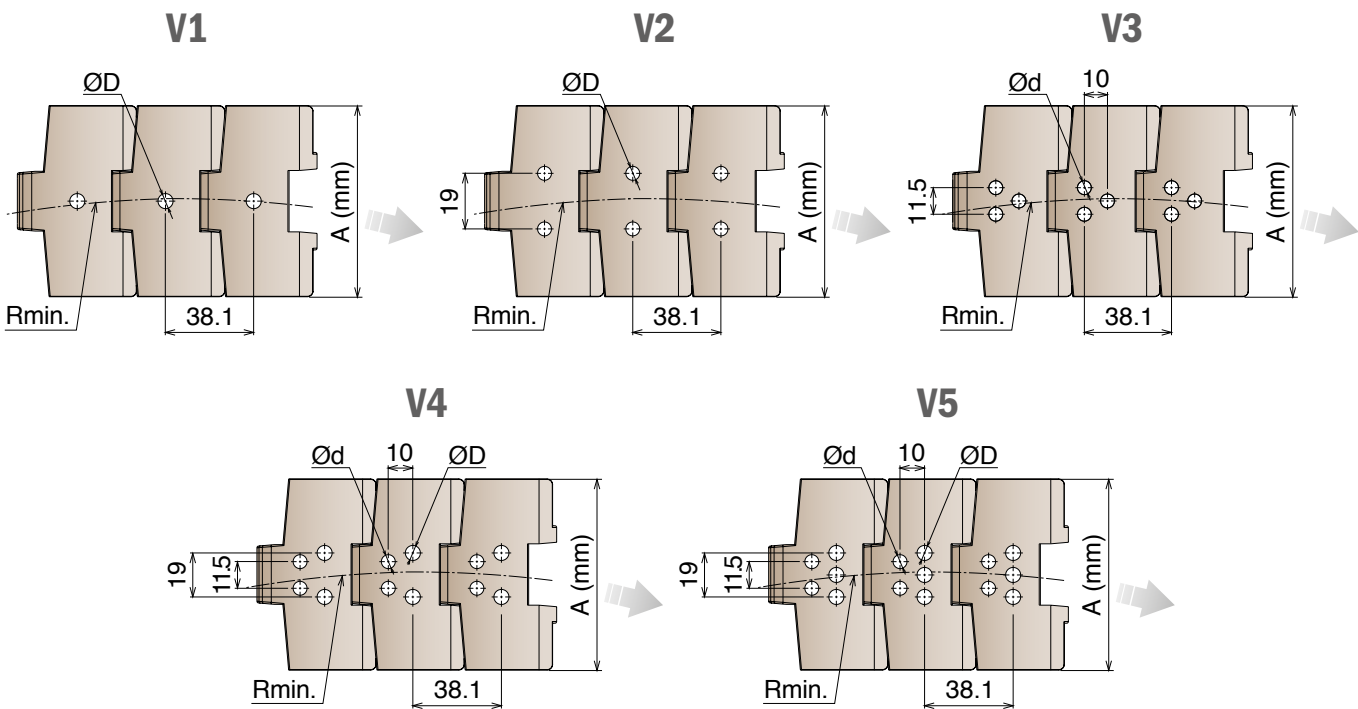
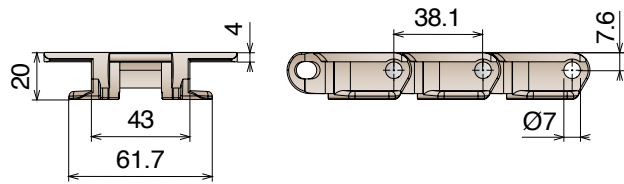
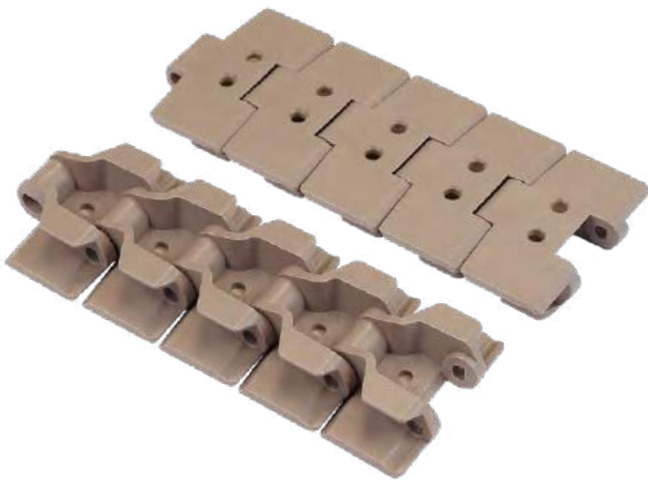
Article-Nr.	Ref.	A (Plate Width) mm	R mm	Weight kg/m	Max working load N	Material
11110102	LF 880 TAB K325	82,5	457	1,015	2200	LF
11110103	LF 880 TAB K330	83,8	457	1,018		
11110105	LF 880 TAB K450	114,3	457	1,09		
11110302	MX 880 TAB K325	82,5	457	1,015	1750	MX
11110303	MX 880 TAB K330	83,8	457	1,018		
11110305	MX 880 TAB K450	114,3	457	1,09		
11113002	PFX 880 TAB K325	82,5	457	1,015	1750	PFX
11113003	PFX 880 TAB K330	83,8	457	1,018		
11113005	PFX 880 TAB K450	114,3	457	1,09		
11112502	MPX 880 TAB K325	82,5	457	1,015	2200	MPX
11112503	MPX 880 TAB K330	83,8	457	1,018		
11112505	MPX 880 TAB K450	114,3	457	1,09		
11111602	DKM 880 TAB K325	82,5	457	1,015	2200	DKM
11111603	DKM 880 TAB K330	83,8	457	1,018		
11111605	DKM 880 TAB K450	114,3	457	1,09		
11111702	MWX 880 TAB K325	82,5	457	1,015	2200	MWX
11111703	MWX 880 TAB K330	83,8	457	1,018		
11111705	MWX 880 TAB K450	114,3	457	1,09		

## 880 V TAB

Catena curvilinea  
Sideflexing chain / Kurvengängige Scharnierbandkette

Delivery: **Easy** Standard

Pins: Stainless Steel | Backflex radius min.: 40 mm



### TAB SYSTEM



80 links



pg. 88-89



pg. 163/175



pg. 651>661

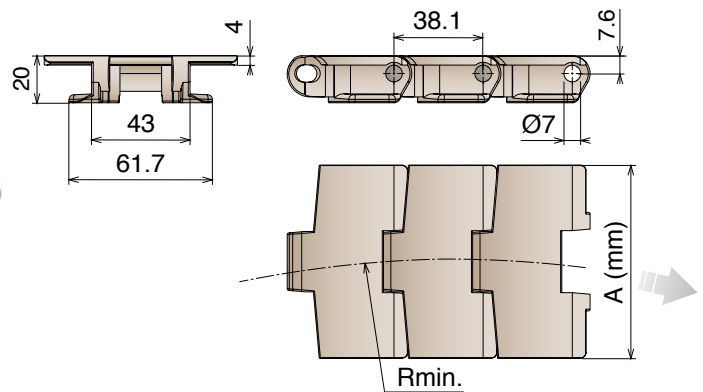
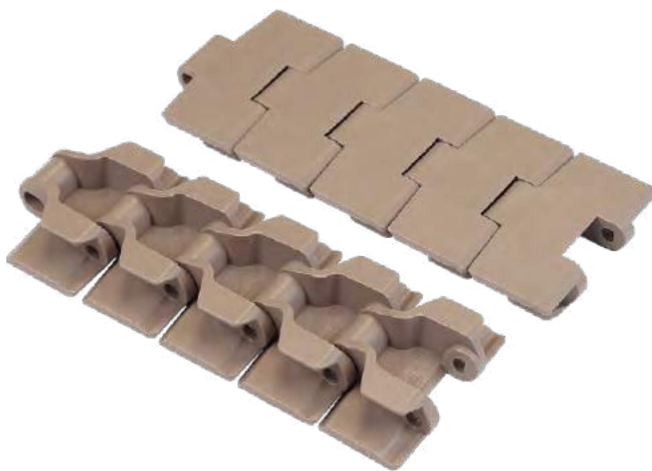
Article-Nr.	Ref.	A (Plate Width) mm	R mm	Weight kg/m	ØD mm	Ød mm	Max working load N	Material
11560102	LF 880 V1 K325	82,5	457	1,015	6,5	6	2200	LF
11570102	LF 880 V2 K325	82,5	457	1,015				
11580102	LF 880 V3 K325	82,5	457	1,015				
11560102-V4	LF 880 V4 K325	82,5	457	1,015				
11560102-V5	LF 880 V5 K325	82,5	457	1,015				
11570105	LF 880 V2 K450	114,3	457	1,09				

# 880 TAB Plastic pin-880 TAB BO

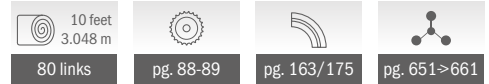
Catene in plastica / Plastic chains / Kunststoffkette

## 880 TAB Plastic pin Catena curvilinea con perno in plastica Sideflexing chain with plastic pin / Kurvengängige Scharnierbandkette mit plastic bolzen

Pins: Reinforced acetal resin | Backflex radius min.: 40 mm



### TAB SYSTEM

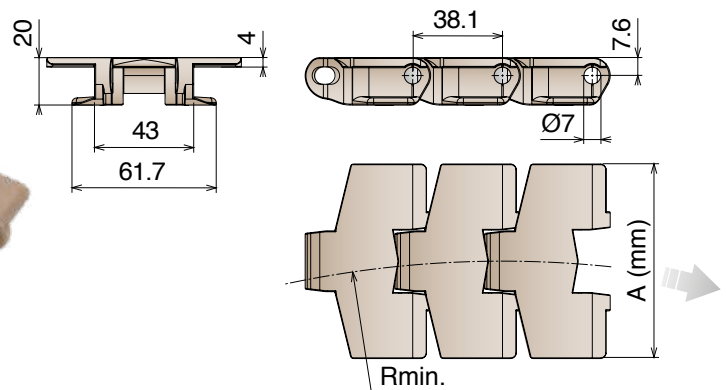


Article-Nr.	Ref.	A (Plate Width) mm	R mm	Weight kg/m	Max working load N	Material
11660102	LF 880 TAB K325	82,5	457	0,815	550	LF
11660105	LF 880 TAB K450	114,3	457	0,89		

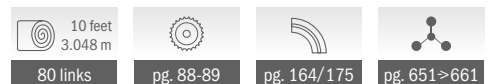
## 880 TAB BO Catena curvilinea Sideflexing chain / Kurvengängige Scharnierbandkette

Delivery: **Easy** Standard

Pins: Stainless Steel | Backflex radius min.: 40 mm



### TAB SYSTEM



Article-Nr.	Ref.	A (Plate Width) mm	R mm	Weight kg/m	Max working load N	Material
11260102	LF 880 TAB BO K325	82,5	190	0,96	1680	LF
11260105	LF 880 TAB BO K450	114,3	190	1,10		
11260302	MX 880 TAB BO K325	82,5	190	0,96	1350	MX
11260305	MX 880 TAB BO K450	114,3	190	1,10		

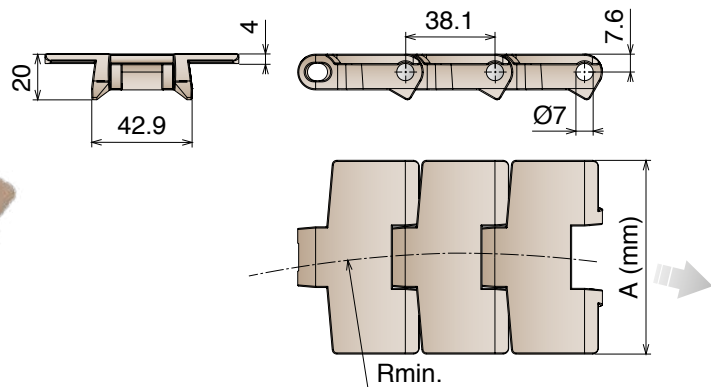


# 880 B

Catena curvilinea  
Sideflexing chain / Kurvengängige Scharnierbandkette

Delivery: **Easy** **Standard**

Pins: Stainless Steel | Backflex radius min.: 40 mm

**BEVEL SYSTEM**

10 feet  
3.048 m  
80 links

pg. 88-89

pg. 174

pg. 651 > 661

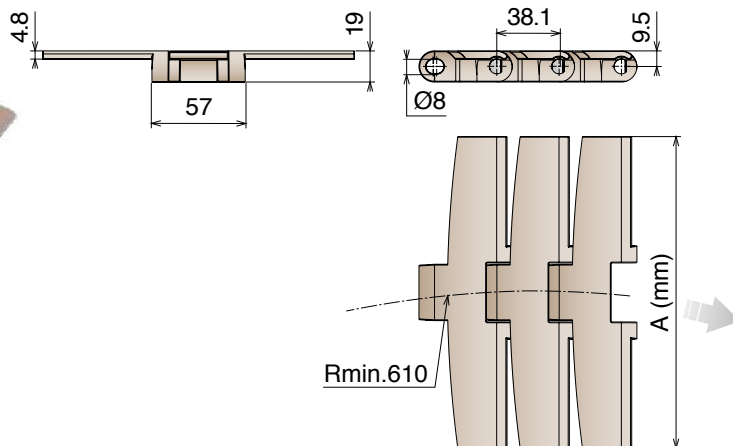
Article-Nr.	Ref.	A (Plate Width) mm	R mm	Weight kg/m	Max working load N	Material
11120102	LF 880 B K325	82,5	457	0,89	2200	LF
11120104	LF 880 B K350	88,9	457	0,93		
11120105	LF 880 B K450	114,3	457	1,05		
11120302	MX 880 B K325	82,5	457	0,89	1750	MX
11120304	MX 880 B K350	88,9	457	0,93		
11120305	MX 880 B K450	114,3	457	1,05		

## 882 M

Catena curvilinea  
Sideflexing chain / Kurvengängige Scharnierbandkette

Delivery: **Easy** **Standard**

Pins: Ferritic Stainless Steel | Backflex radius min.: 50 mm



### MAGNETIC SYSTEM

10 feet  
3.048 m  
80 links

pg. 90-91/110

pg. 131->136

pg. 651>661

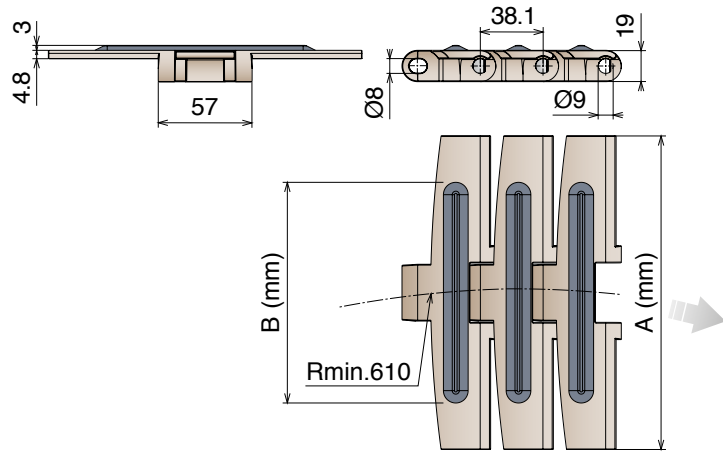
Article-Nr.	Ref.	A (Plate Width) mm	Weight kg/m	Max working load N	Material
11130107	LF 882 M K750	190,5	2,14	3830	LF
11130108	LF 882 M K1000	254,0	2,45		
11130109	LF 882 M K1200	304,8	2,68		
11130307	MX 882 M K750	190,5	2,14	3050	MX
11130308	MX 882 M K1000	254,0	2,45		
11130309	MX 882 M K1200	304,8	2,68		

## 882 M GT

Catena curvilinea  
Sideflexing chain / Kurvengängige Scharnierbandkette

Delivery: **Easy** **Standard**

Pins: Ferritic Stainless Steel | Backflex radius min.: 50 mm | TPE Rubber: 50 ShA



### MAGNETIC SYSTEM

5 feet  
1.524 m

40 links

pg. 90-91/110

pg. 131->136

pg. 651->661

Article-Nr.	Ref.	A (Plate Width) mm	B (Rubber Width) mm	Weight kg/ m	Max working load N	Material
11150107	LF 882 M GT K750	190,5	134,0	2,10	3830	LF
11150108	LF 882 M GT K1000	254,0	197,0	2,45		
11150109	LF 882 M GT K1200	304,8	249,0	2,74		

# 882 M LBP

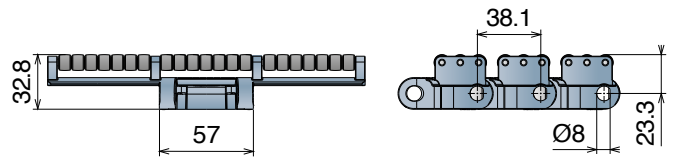
Catene in plastica / Plastic chains / Kunststoffkette

## 882 M LBP

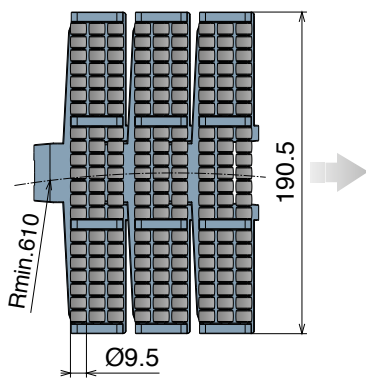
Catena curvilinea  
Sideflexing chain / Kurvengängige Scharnierbandkette

Delivery: **Easy** Standard

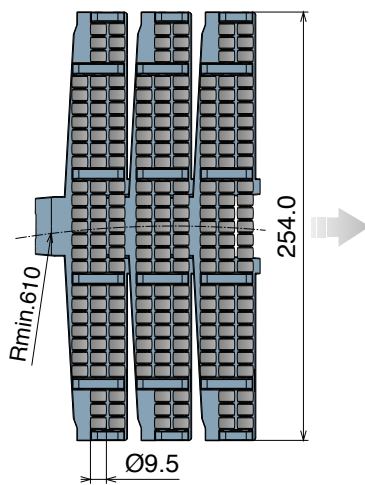
Pins: Ferritic Stainless Steel | Backflex radius min.: 150 mm



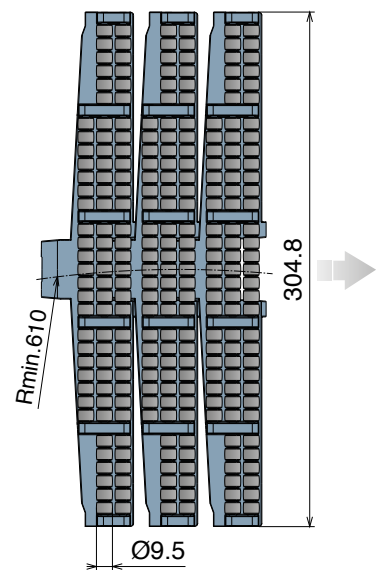
**K750**



**K1000**



**K1200**



### MAGNETIC SYSTEM

5 feet  
1.524 m  
40 links

pg. 90-91/110

pg. 137->140

pg. 651>661

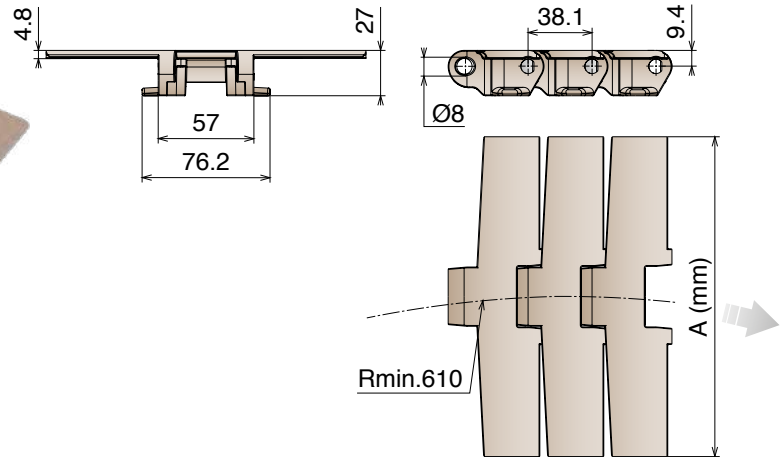
Article-Nr.	Ref.	A (Plate Width) mm	Weight kg/m	Max working load N	Material
11170107	LFA 882 M LBP K750	190,5	3,92	3830	LFA
11170108	LFA 882 M LBP K1000	254,0	4,94		
11170109	LFA 882 M LBP K1200	304,8	5,82		

## 882 TAB

Catena curvilinea  
Sideflexing chain / Kurvengängige Scharnierbandkette

Delivery: **Easy** **Standard**

Pins: Stainless Steel | Backflex radius min.: 40 mm



### TAB SYSTEM



10 feet  
3.048 m



80 links



pg. 90-91/110

pg. 166/175



pg. 651->661

Article-Nr.	Ref.	A (Plate Width) mm	Weight kg/m	Max working load N	Material
11140105	LF 882 TAB K450	114,3	2,05	3830	LF
11140106	LF 882 TAB K600	152,4	2,20		
11140107	LF 882 TAB K750	190,5	2,45		
11140108	LF 882 TAB K1000	254,0	2,85		
11140109	LF 882 TAB K1200	304,8	3,40		
11140305	MX 882 TAB K450	114,3	2,05	3050	MX
11140306	MX 882 TAB K600	152,4	2,20		
11140307	MX 882 TAB K750	190,5	2,45		
11140308	MX 882 TAB K1000	254,0	2,85		
11140309	MX 882 TAB K1200	304,8	3,40		
11142505	MPX 882 TAB K450	114,3	2,05	3830	MPX
11142506	MPX 882 TAB K600	152,4	2,20		
11142507	MPX 882 TAB K750	190,5	2,45		
11142508	MPX 882 TAB K1000	254,0	2,85		
11142509	MPX 882 TAB K1200	304,8	3,40		
11141705	MWX 882 TAB K450	114,3	2,05	3830	MWX
11141706	MWX 882 TAB K600	152,4	2,20		
11141707	MWX 882 TAB K750	190,5	2,45		
11141708	MWX 882 TAB K1000	254,0	2,85		
11141709	MWX 882 TAB K1200	304,8	3,40		

# 882 TAB GT

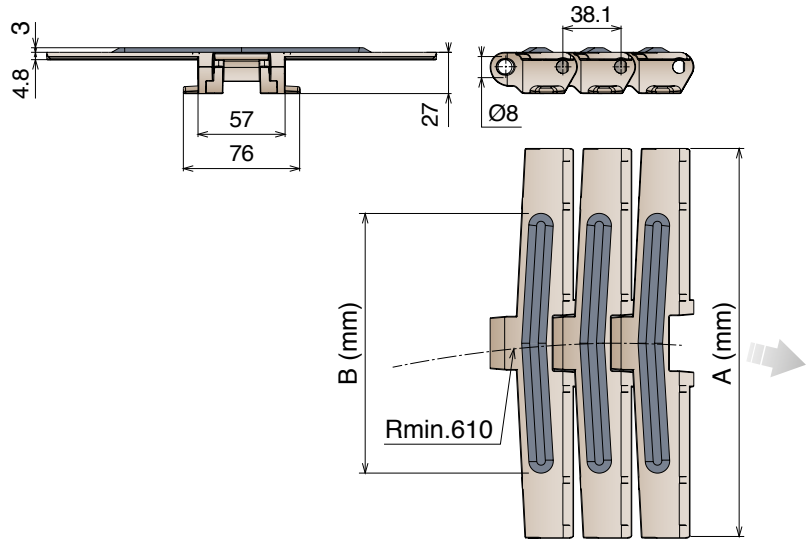
Catene in plastica / Plastic chains / Kunststoffkette

## 882 TAB GT

Catena curvilinea  
Sideflexing chain / Kurvengängige Scharnierbandkette

Delivery: **Easy** Standard

Pins: Stainless Steel | Backflex radius min.: 40 mm | TPE Rubber: 50 ShA



### TAB SYSTEM

5 feet  
1.524 m  
40 links

pg. 90-91/110

pg. 166/175

pg. 651>661

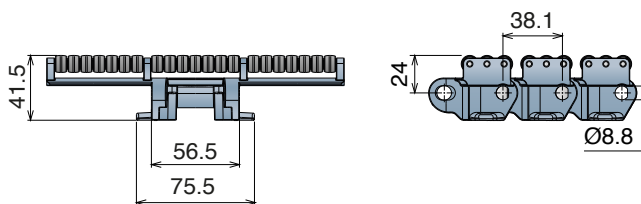
Article-Nr.	Ref.	A (Plate Width) mm	B (Rubber Width) mm	Weight kg/m	Max working load N	Material
11160107	LF 882 TAB GT K750	190,5	134,0	2,37	3830	LF
11160108	LF 882 TAB GT K1000	254,0	197,0	2,67		
11160109	LF 882 TAB GT K1200	304,8	249,0	2,92		
11160307	MX 882 TAB GT K750	190,5	134,0	2,37	3050	MX
11160308	MX 882 TAB GT K1000	254,0	197,0	2,67		
11160309	MX 882 TAB GT K1200	304,8	249,0	2,92		

## 882 TAB LBP

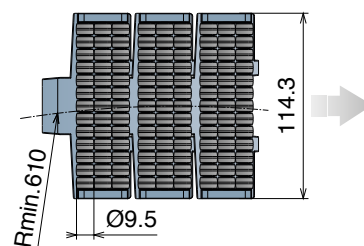
Catena curvilinea  
Sideflexing chain / Kurvengängige Scharnierbandkette

Delivery: **Easy** Standard

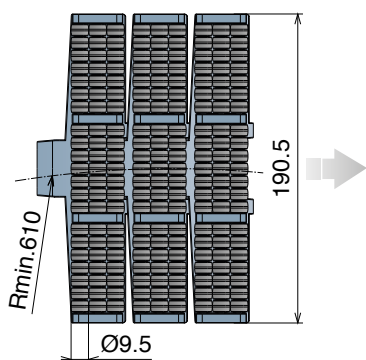
Pins: Stainless Steel | Backflex radius min.: 150 mm



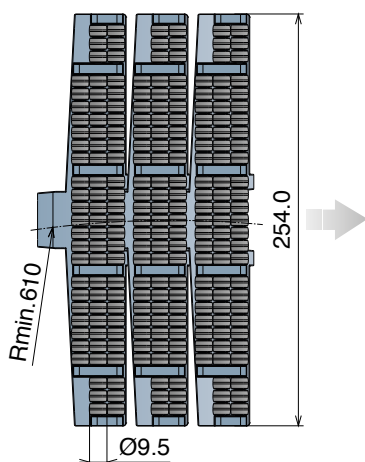
### K450



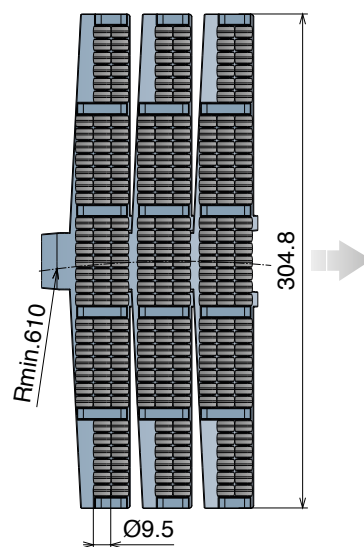
### K750



### K1000



### K1200



#### TAB SYSTEM



40 links



pg. 90-91/110



pg. 166/175



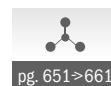
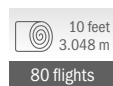
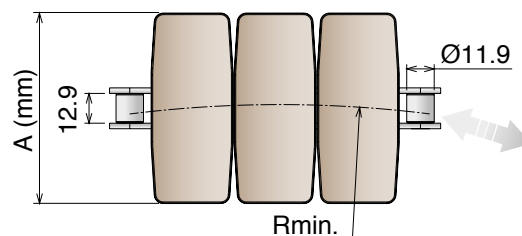
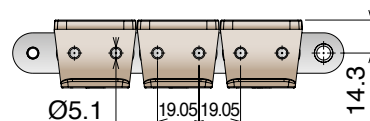
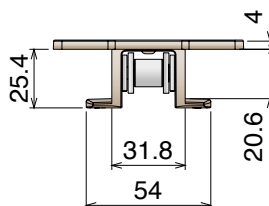
pg. 651>661

Article-Nr.	Ref.	Plate Width mm	Weight kg/m	Max working load N	Material
11180105	LFA 882 TAB LBP K450	114,3	4,00	3830	LFA
11180107	LFA 882 TAB LBP K750	190,5	4,70		
11180108	LFA 882 TAB LBP K1000	254,0	5,95		
11180109	LFA 882 TAB LBP K1200	304,8	6,55		

## 1873 Catena curvilinea Sideflexing chain / Kurvengängige Plattenbandkette

Delivery: **Easy** **Standard**

The stainless steel version is supplied with LONG-LIFE SS roller chain. | Backflex radius min.: 210 mm



Standard length roller chain: 160 Pitches

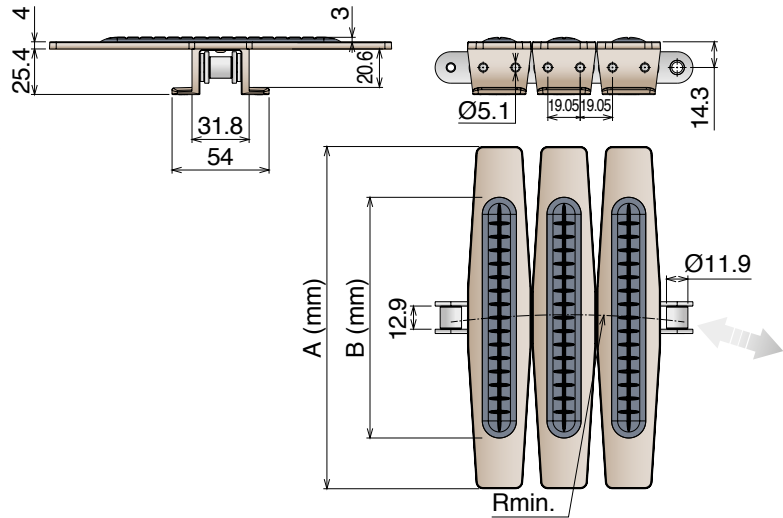
### TAB SYSTEM

Article-Nr.	Chain	Ref.	A (Plate Width) mm	R mm	Weight kg/m	Max working load N	Backflex radius min. mm	Material		
11590102	C45	LF 1873 TAB K325	82,5	355	2,10	4500	180	LF		
11600102	Stainless Steel		82,5	355	2,10	3500				
11590105	C45	LF 1873 TAB K450	114,3	355	2,30	4500				
11600105	Stainless Steel		114,3	355	2,30	3500				
11590106	C45	LF 1873 TAB K600	152,4	457	2,40	4500				
11600106	Stainless Steel		152,4	457	2,40	3500				
11590107	C45	LF 1873 TAB K750	190,5	457	2,60	4500				
11600107	Stainless Steel		190,5	457	2,60	3500				
11590108	C45	LF 1873 TAB K1000	254,0	457	2,80	4500				
11600108	Stainless Steel		254,0	457	2,80	3500				
11590109	C45	LF 1873 TAB K1200	304,8	457	3,00	4500				
11600109	Stainless Steel		304,8	457	3,00	3500				
11590302	C45	MX 1873 TAB K325	82,5	355	2,10	4500			180	MX
11600302	Stainless Steel		82,5	355	2,10	3500				
11590305	C45	MX 1873 TAB K450	114,3	355	2,30	4500				
11600305	Stainless Steel		114,3	355	2,30	3500				
11590306	C45	MX 1873 TAB K600	152,4	457	2,40	4500				
11600306	Stainless Steel		152,4	457	2,40	3500				
11590307	C45	MX 1873 TAB K750	190,5	457	2,60	4500				
11600307	Stainless Steel		190,5	457	2,60	3500				
11590308	C45	MX 1873 TAB K1000	254,0	457	2,80	4500				
11600308	Stainless Steel		254,0	457	2,80	3500				
11590309	C45	MX 1873 TAB K1200	304,8	457	3,00	4500				
11600309	Stainless Steel		304,8	457	3,00	3500				



## 1873 GT Catena curvilinea Sideflexing chain / Kurvengängige Plattenbandkette

Delivery: **Easy** **Standard** *The stainless steel version is supplied with LONG-LIFE SS roller chain.* | TPE Rubber: 75 ShA | Backflex radius min.: 210 mm



Standard length roller chain: 160 Pitches

### TAB SYSTEM

10 feet  
3.048 m  
80 flights

**SPROCKET**  
**ASA 60**  
Standard on market

pg. 167/176

pg. 651>661

Article-Nr.	Chain	Ref.	A (Plate Width) mm	B (Rubber Width) mm	Weight kg/m	Max working load N	Sideflex radius min. mm	Material
11610107	C45	<b>LF 1873 GT TAB K750</b>	190,5	134,0	2,60	4500	457	LF
11620107	Stainless Steel		190,5	134,0	2,60	3500		
11610108	C45	<b>LF 1873 GT TAB K1000</b>	254,0	192,0	2,80	4500		
11620108	Stainless Steel		254,0	192,0	2,80	3500		
11610109	C45	<b>LF 1873 GT TAB K1200</b>	304,8	252,0	3,00	4500	457	
11620109	Stainless Steel		304,8	252,0	3,00	3500		

# 1873 GRIPPER GS1

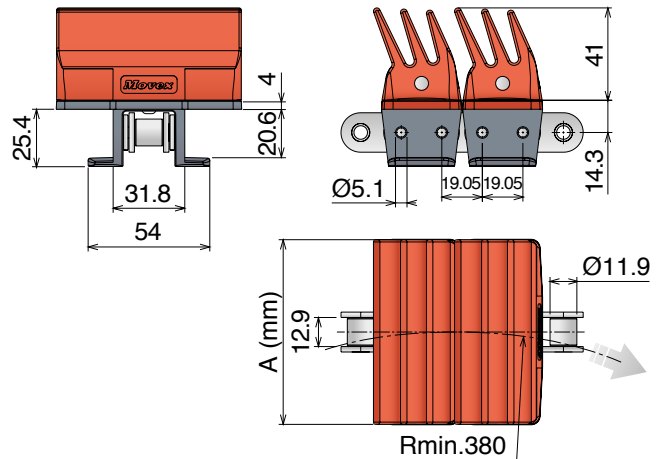
Catene in plastica / Plastic chains / Kunststoffkette

## 1873 GRIPPER GS1

Catena curvilinea  
Sideflexing chain / Kurvengängige Plattenbandkette

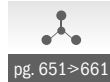
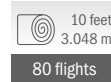
Delivery: **Easy** **Standard**

The stainless steel version is supplied with LONG-LIFE SS roller chain. | Backflex radius min.: 150 mm



Standard length roller chain: 160 Pitches

### TAB SYSTEM

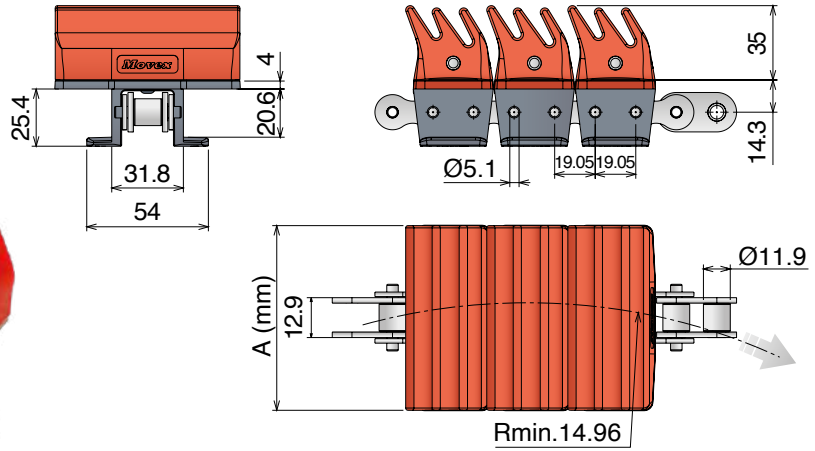


Article-Nr.	Chain	Ref.	A (Width) mm	Max working load N	Weight kg/m	Rubber	Material
<b>11200102</b>	C45	<b>1873 TAB K325 GR</b>	82,5	4500	4,354	Material: TPR Color: Red	<b>LFD</b>
<b>11200105</b>		<b>1873 TAB K450 GR</b>	114,3				
<b>11200202</b>	Nickel Plated Steel	<b>1873 NP TAB K325 GR</b>	82,5	4500	4,354		
<b>11200205</b>		<b>1873 NP TAB K450 GR</b>	114,3				
<b>11200302</b>	Stainless Steel	<b>1873 SS TAB K325 GR</b>	82,5	3500	4,354		
<b>11200305</b>		<b>1873 SS TAB K450 GR</b>	114,3				
<b>11320102</b>	C45	<b>1873 TAB K325 GR</b>	82,5	4500	4,354	Material: TPR Color: Red	<b>MX</b>
<b>11320105</b>		<b>1873 TAB K450 GR</b>	114,3				
<b>11320202</b>	Nickel Plated Steel	<b>1873 NP TAB K325 GR</b>	82,5	4500	4,354		
<b>11320205</b>		<b>1873 NP TAB K450 GR</b>	114,3				
<b>11320302</b>	Stainless Steel	<b>1873 SS TAB K325 GR</b>	82,5	3500	4,354		
<b>11320305</b>		<b>1873 SS TAB K450 GR</b>	114,3				
<b>11210102</b>	C45	<b>1873 TAB K325 GR</b>	82,5	4500	4,354	Material: EPDM-PP Color: Black	<b>PP</b>
<b>11210105</b>		<b>1873 TAB K450 GR</b>	114,3				
<b>11210202</b>	Nickel Plated Steel	<b>1873 NP TAB K325 GR</b>	82,5	4500	4,354		
<b>11210205</b>		<b>1873 NP TAB K450 GR</b>	114,3				
<b>11210302</b>	Stainless Steel	<b>1873 SS TAB K325 GR</b>	82,5	3500	4,354		
<b>11210305</b>		<b>1873 SS TAB K450 GR</b>	114,3				
<b>11330102</b>	C45	<b>1873 TAB K325 GR</b>	82,5	4500	4,354	Material: TPR Color: Red	<b>MWX</b>
<b>11330105</b>		<b>1873 TAB K450 GR</b>	114,3				
<b>11330202</b>	Nickel Plated Steel	<b>1873 NP TAB K325 GR</b>	82,5	4500	4,354		
<b>11330205</b>		<b>1873 NP TAB K450 GR</b>	114,3				
<b>11330302</b>	Stainless Steel	<b>1873 SS TAB K325 GR</b>	82,5	3500	4,354		
<b>11330305</b>		<b>1873 SS TAB K450 GR</b>	114,3				

## 1873 GRIPPER GS2 Catena curvilinea Sideflexing chain / Kurvengängige Plattenbandkette

Delivery: **Easy** **Standard**

The stainless steel version is supplied with LONG-LIFE SS roller chain. | Backflex radius min.: 150 mm



### TAB SYSTEM

10 feet  
3.048 m  
80 flights

**SPROCKET**  
ASA 60  
Standard on market

pg. 167/176

pg. 651>661

Standard length roller chain: 160 Pitches

Article-Nr.	Chain	Ref.	A (Width) mm	Max working load N	Weight kg/m	Rubber	Material	
<b>11280102</b>	C45	<b>1873 TAB K325 GR</b>	82,5	4500	4,354		<b>LFD</b>	
<b>11280105</b>		<b>1873 TAB K450 GR</b>	114,3					
<b>11280202</b>	Nickel Plated Steel	<b>1873 NP TAB K325 GR</b>	82,5	4500	4,354	Material: TPR		
<b>11280205</b>		<b>1873 NP TAB K450 GR</b>	114,3					Color: Red
<b>11280302</b>	Stainless Steel	<b>1873 SS TAB K325 GR</b>	82,5	3500	4,354			
<b>11280305</b>		<b>1873 SS TAB K450 GR</b>	114,3					4,945
<b>11340102</b>	C45	<b>1873 TAB K325 GR</b>	82,5	4500	4,354			<b>MX</b>
<b>11340105</b>		<b>1873 TAB K450 GR</b>	114,3					
<b>11340202</b>	Nickel Plated Steel	<b>1873 NP TAB K325 GR</b>	82,5	4500	4,354	Material: TPR		
<b>11340205</b>		<b>1873 NP TAB K450 GR</b>	114,3					
<b>11340302</b>	Stainless Steel	<b>1873 SS TAB K325 GR</b>	82,5	3500	4,354			
<b>11340305</b>		<b>1873 SS TAB K450 GR</b>	114,3				4,945	
<b>11290102</b>	C45	<b>1873 TAB K325 GR</b>	82,5	4500	4,354		<b>PP</b>	
<b>11290105</b>		<b>1873 TAB K450 GR</b>	114,3					
<b>11290202</b>	Nickel Plated Steel	<b>1873 NP TAB K325 GR</b>	82,5	4500	4,354	Material: EPDM-PP		
<b>11290205</b>		<b>1873 NP TAB K450 GR</b>	114,3					
<b>11290302</b>	Stainless Steel	<b>1873 SS TAB K325 GR</b>	82,5	3500	4,354			
<b>11290305</b>		<b>1873 SS TAB K450 GR</b>	114,3					4,945
<b>11350102</b>	C45	<b>1873 TAB K325 GR</b>	82,5	4500	4,354			<b>MWX</b>
<b>11350105</b>		<b>1873 TAB K450 GR</b>	114,3					
<b>11350202</b>	Nickel Plated Steel	<b>1873 NP TAB K325 GR</b>	82,5	4500	4,354	Material: TPR		
<b>11350205</b>		<b>1873 NP TAB K450 GR</b>	114,3					
<b>11350302</b>	Stainless Steel	<b>1873 SS TAB K325 GR</b>	82,5	3500	4,354			
<b>11350305</b>		<b>1873 SS TAB K450 GR</b>	114,3				4,945	

# 1873 GRIPPER GS4

Catene in plastica / Plastic chains / Kunststoffkette

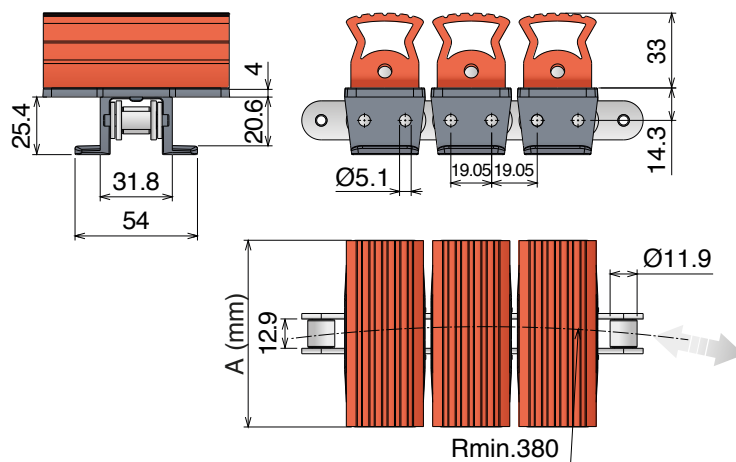
## 1873 GRIPPER GS4

Catena curvilinea

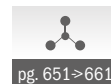
Sideflexing chain / Kurvengängige Plattenbandkette

Delivery: **Easy** **Standard**

The stainless steel version is supplied with LONG-LIFE SS roller chain. | Backflex radius min.: 400 mm



### TAB SYSTEM



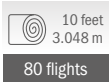
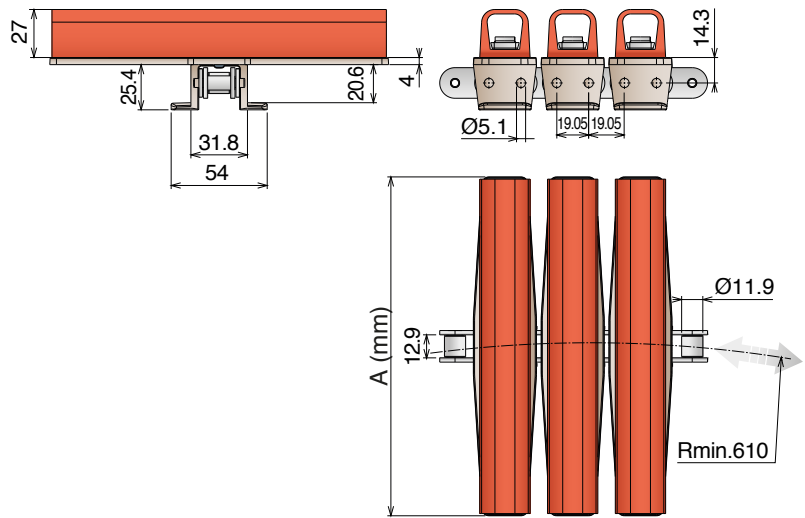
Standard length roller chain: 160 Pitches

Article-Nr.	Chain	Ref.	A (Width) mm	Max working load N	Weight kg/m	Rubber	Material
<b>11830102</b>	C45	<b>1873 TAB K325 GR</b>	82,5	4500	4,15		<b>LFD</b>
<b>11830105</b>		<b>1873 TAB K450 GR</b>	114,3				
<b>11830202</b>	Nickel Plated Steel	<b>1873 NP TAB K325 GR</b>	82,5	4500	4,15	Material: TPR	
<b>11830205</b>		<b>1873 NP TAB K450 GR</b>	114,3			Color: Red	
<b>11830302</b>	Stainless Steel	<b>1873 SS TAB K325 GR</b>	82,5	3500	4,15		
<b>11830305</b>		<b>1873 SS TAB K450 GR</b>	114,3				
<b>11840102</b>	C45	<b>1873 TAB K325 GR</b>	82,5	4500	4,15		<b>MX</b>
<b>11840105</b>		<b>1873 TAB K450 GR</b>	114,3				
<b>11840202</b>	Nickel Plated Steel	<b>1873 NP TAB K325 GR</b>	82,5	4500	4,15	Material: TPR	
<b>11840205</b>		<b>1873 NP TAB K450 GR</b>	114,3			4,70	
<b>11840302</b>	Stainless Steel	<b>1873 SS TAB K325 GR</b>	82,5	3500	4,15		
<b>11840305</b>		<b>1873 SS TAB K450 GR</b>	114,3				
<b>11850102</b>	C45	<b>1873 TAB K325 GR</b>	82,5	4500	4,15		<b>PP</b>
<b>11850105</b>		<b>1873 TAB K450 GR</b>	114,3				
<b>11850202</b>	Nickel Plated Steel	<b>1873 NP TAB K325 GR</b>	82,5	4500	4,15	Material: EPDM-PP	
<b>11850205</b>		<b>1873 NP TAB K450 GR</b>	114,3			4,70	
<b>11850302</b>	Stainless Steel	<b>1873 SS TAB K325 GR</b>	82,5	3500	4,15		
<b>11850305</b>		<b>1873 SS TAB K450 GR</b>	114,3				
<b>11860102</b>	C45	<b>1873 TAB K325 GR</b>	82,5	4500	4,15		<b>MWX</b>
<b>11860105</b>		<b>1873 TAB K450 GR</b>	114,3				
<b>11860202</b>	Nickel Plated Steel	<b>1873 NP TAB K325 GR</b>	82,5	4500	4,15	Material: TPR	
<b>11860205</b>		<b>1873 NP TAB K450 GR</b>	114,3			4,70	
<b>11860302</b>	Stainless Steel	<b>1873 SS TAB K325 GR</b>	82,5	3500	4,15		
<b>11860305</b>		<b>1873 SS TAB K450 GR</b>	114,3				

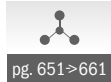
## 1873 D-SHAPE

Catena curvilinea  
Sideflexing chain / Kurvengängige Plattenbandkette

The stainless steel version is supplied with LONG-LIFE SS roller chain. | Backflex radius min.: 200 mm



**SPROCKET**  
ASA 60  
Standard on market



**TAB SYSTEM**

Standard lenght roller chain: 160 Pitches

Article-Nr.	Chain	Ref.	A (Width) mm	Max working load N	Weight kg/m	Rubber	Material
<b>11870106</b>	C45	<b>1873 TAB K600 D</b>	152,4	4500	4,00	Material: TPR Color: Red	LF
<b>11870107</b>		<b>1873 TAB K750 D</b>	190,5				
<b>11870206</b>	Nickel Plated Steel	<b>1873 NP TAB K600 D</b>	152,4	4500	4,00		
<b>11870207</b>		<b>1873 NP TAB K750 D</b>	190,5				
<b>11870306</b>	Stainless Steel	<b>1873 SS TAB K600 D</b>	152,4	3500	4,00		
<b>11870307</b>		<b>1873 SS TAB K750 D</b>	190,5				
<b>11880106</b>	C45	<b>1873 TAB K600 D</b>	152,4	4500	4,00	Material: TPR Color: Red	MX
<b>11880107</b>		<b>1873 TAB K750 D</b>	190,5				
<b>11880206</b>	Nickel Plated Steel	<b>1873 NP TAB K600 D</b>	152,4	4500	4,00		
<b>11880207</b>		<b>1873 NP TAB K750 D</b>	190,5				
<b>11880306</b>	Stainless Steel	<b>1873 SS TAB K600 D</b>	152,4	3500	4,00		
<b>11880307</b>		<b>1873 SS TAB K750 D</b>	190,5				
<b>11890106</b>	C45	<b>1873 TAB K600 D</b>	152,4	4500	4,00	Material: EPDM-PP Color: Black	MPX
<b>11890107</b>		<b>1873 TAB K750 D</b>	190,5				
<b>11890206</b>	Nickel Plated Steel	<b>1873 NP TAB K600 D</b>	152,4	4500	4,00		
<b>11890207</b>		<b>1873 NP TAB K750 D</b>	190,5				
<b>11890306</b>	Stainless Steel	<b>1873 SS TAB K600 D</b>	152,4	3500	4,00		
<b>11890307</b>		<b>1873 SS TAB K750 D</b>	190,5				



# 1873 MX1

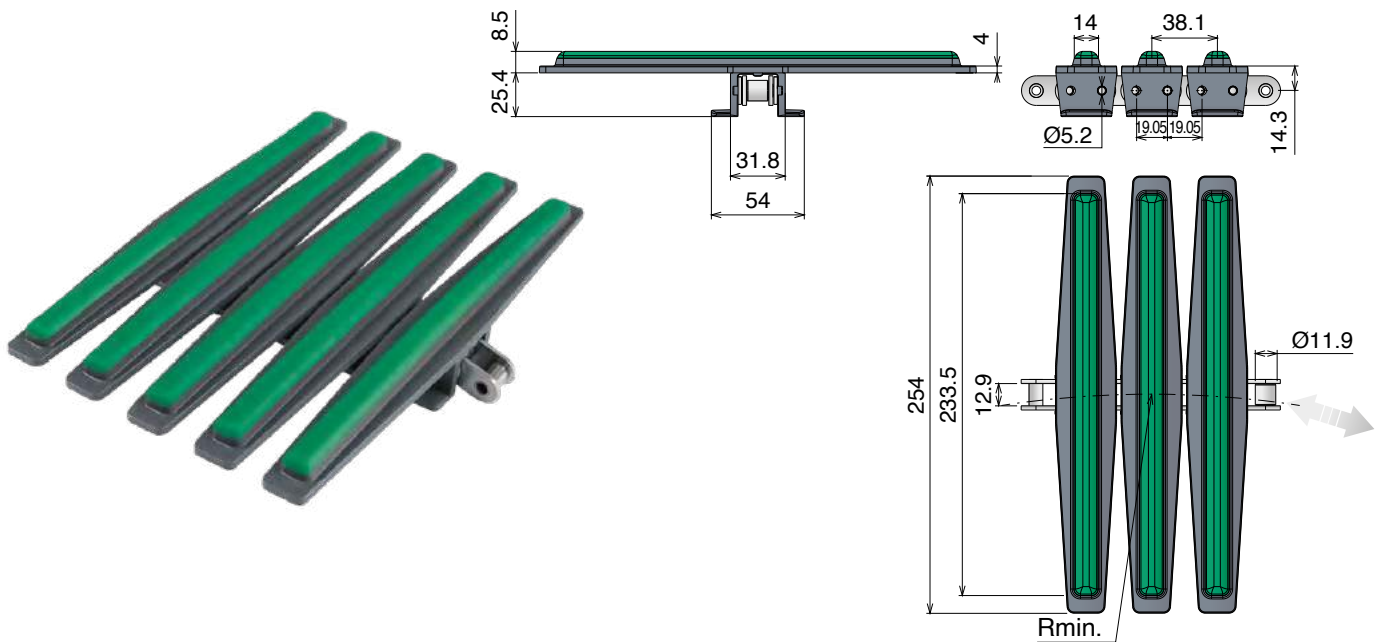
Catene in plastica / Plastic chains / Kunststoffkette

## 1873 MX1

Catena curvilinea  
Sideflexing chain / Kurvengängige Plattenbandkette

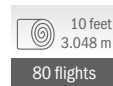
**RANGE EXTENSION**

The stainless steel version is supplied with **LONG-LIFE SS roller chain**. | TPE Rubber: 85 ShA | Backflex radius min.: 200 mm



Standard lenght roller chain: 160 Pitches

**TAB SYSTEM**



Article-Nr.	Chain	Ref.	Plate Width mm	Weight kg/m	Max working load N	Sideflex radius min. mm	Material
11790108	C45				4500		LF
11780108	Nickel Plated Steel	1873 LFTAB K1000	254,0	2,80	4500	457	
11690108	Stainless Steel				3500		
11790308	C45				4500		MX
11780308	Nickel Plated Steel	1873 MX TAB K1000	254,0	2,80	4500	457	
11690308	Stainless Steel				3500		

## 1873 MX1

Chain for hot-fill applications, neck & cap sterilizing.

### Care

Designed to keep the products in the correct position during the twist movement.

### Temperature resistance

The rubber is developed for and perfectly resistant against the higher temperatures of the hot-filled products.

### Long life roller chain

Special hardened pins and bushing guarantee a longer lifetime. Chain can twist 90° in 1500 mm.

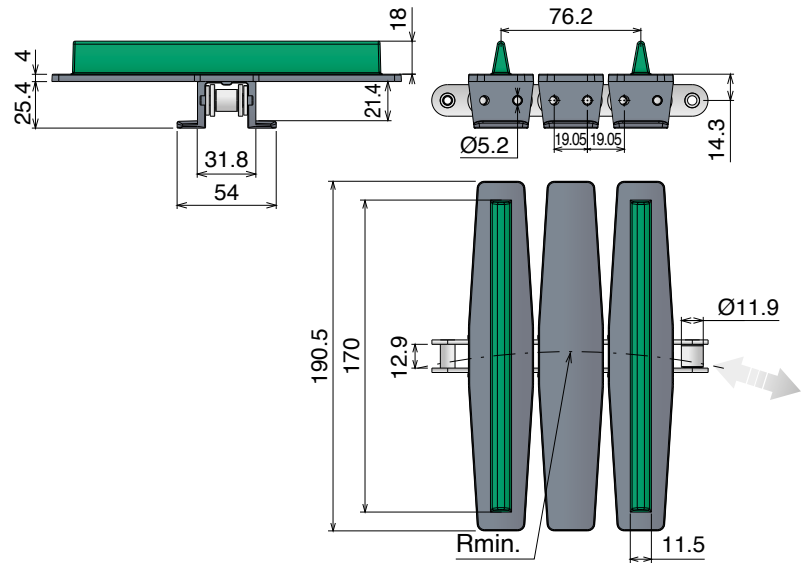
### Product stability

The new developed design guarantees a perfect connection between rubber and plate.

## 1873 MX2 Catena curvilinea Sideflexing chain / Kurvengängige Plattenbandkette

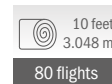
**RANGE EXTENSION**

The stainless steel version is supplied with **LONG-LIFE SS roller chain**. | TPE Rubber: 75 ShA | Backflex radius min.: 200 mm



Standard length roller chain: 160 Pitches

**TAB SYSTEM**



Article-Nr.	Chain	Ref.	Plate Width mm	Weight kg/m	Max working load N	Sideflex radius min. mm	Material
11770107	C45				4500		
11760107	Nickel Plated Steel	<b>1873 LF TAB K750</b>	190,5	2,60	4500	457	<b>LF</b>
11670107	Stainless Steel				3500		
11770307	C45				4500		
11760307	Nickel Plated Steel	<b>1873 MX TAB K750</b>	190,5	2,60	4500	457	<b>MX</b>
11670307	Stainless Steel				3500		

## 1873 MX2

Chain for twisting cans

### Care

Designed to twist cans without pressure.

### Temperature resistance

Materials are suitable for use at high temperatures.

### Long life roller chain

Special hardened pins and bushing guarantee a longer lifetime. Chain can twist 90° in 1500 mm.

### Product stability

The flights assure the position of the cans also at higher speed.



# 878 GRIPPER GS1/GS2/GS4

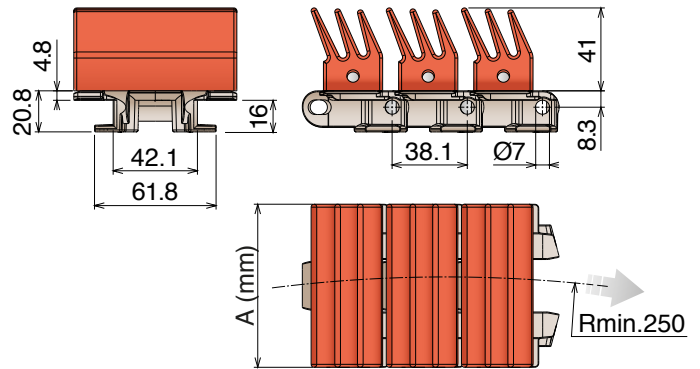
Catene in plastica / Plastic chains / Kunststoffkette

## 878 GRIPPER

Catena curvilinea  
Sideflexing chain / Kurvengängige Scharnierbandkette

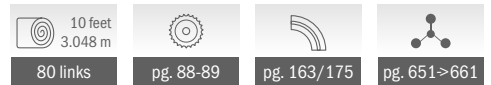
Delivery: **Easy** **Standard**

Backflex radius min. **GS1:** 100 mm - **GS2** 180 mm - **GS4** 380 mm

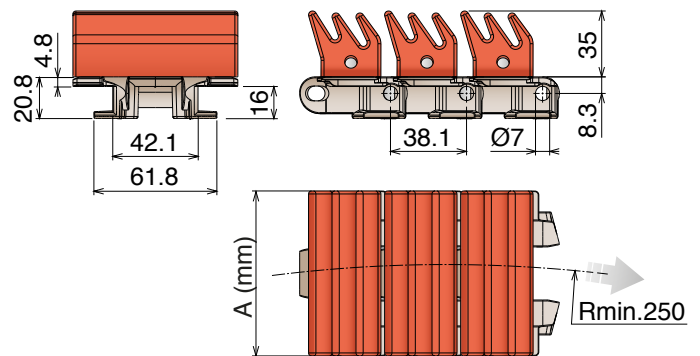


### GS1

**TAB SYSTEM**

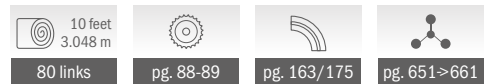


Article-Nr.	Ref.	A (Plate Width) mm	R mm	Weight kg/m	Max working load N	Rubber	Material
11800102	LF 878 GS1 K325	82,5	250	4,65	2200	TPR	LF

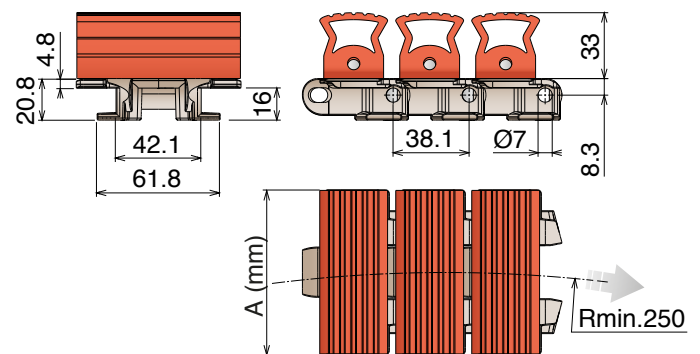


### GS2

**TAB SYSTEM**

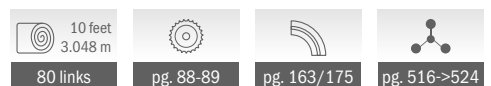


Article-Nr.	Ref.	A (Plate Width) mm	R mm	Weight kg/m	Max working load N	Rubber	Material
11810102	LF 878 GS2 K325	82,5	250	4,05	2200	TPR	LF



### GS4

**TAB SYSTEM**



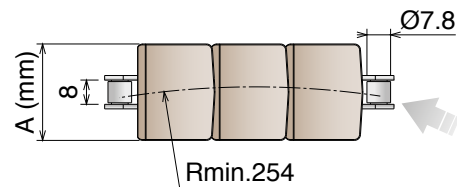
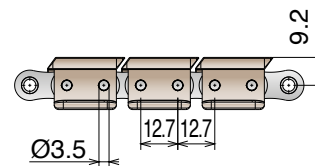
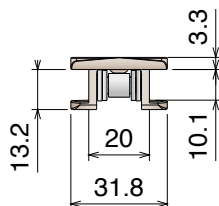
Article-Nr.	Ref.	A (Plate Width) mm	R mm	Weight kg/m	Max working load N	Rubber	Material
11820102	LF 878 GS4 K325	82,5	250	4,10	2200	TPR	LF



## 1843 Catena curvilinea Sideflexing chain / Kurvengängige Plattenbandkette

Delivery: **Easy** **Standard**

Backflex radius min.: 80 mm



Standard length roller chain: 240 Pitches

### TAB SYSTEM

10 feet  
3.048 m  
120 links

**SPROCKET**  
**ASA 40**  
Standard on market

pg. 168/176

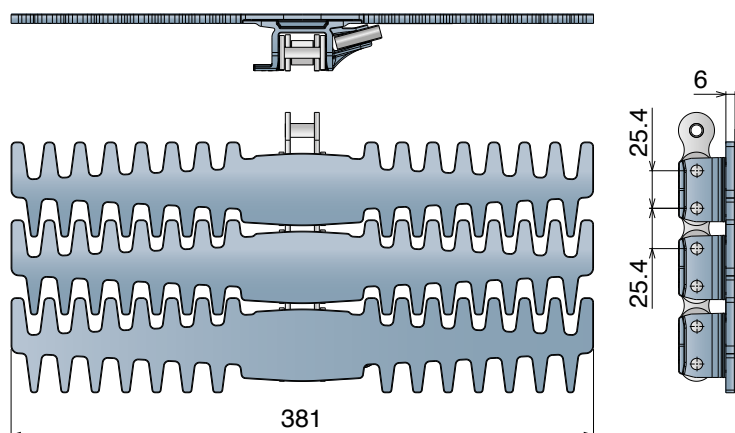
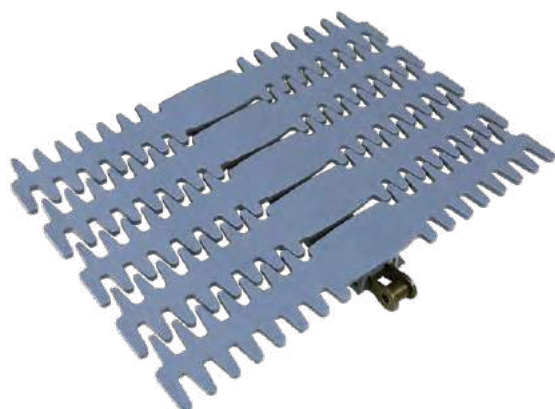
pg. 651>661

Article-Nr.	Chain	Ref.	A (Plate Width) mm	R mm	Weight kg/m	Max working load N	Material
11400117	C45	<b>LF 1843 TAB K125</b>	31,8	254	0,74	2700	LF
11410117	Stainless Steel		31,8	254	0,74	1900	
11400119	C45	<b>LF 1843 TAB K200</b>	50,8	254	0,89	2700	
11410119	Stainless Steel		50,8	254	0,89	1900	
11400317	C45	<b>MX 1843 TAB K125</b>	31,8	254	0,74	2700	MX
11410317	Stainless Steel		31,8	254	0,74	1900	
11400319	C45	<b>MX 1843 TAB K200</b>	50,8	254	0,89	2700	
11410319	Stainless Steel		50,8	254	0,89	1900	

## SP 1883

Catena curvilinea  
Sideflexing chain / Kurvengängige Plattenbandkette

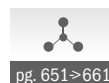
Backflex radius min.: 350 mm



Standard length roller chain: 120 Pitches

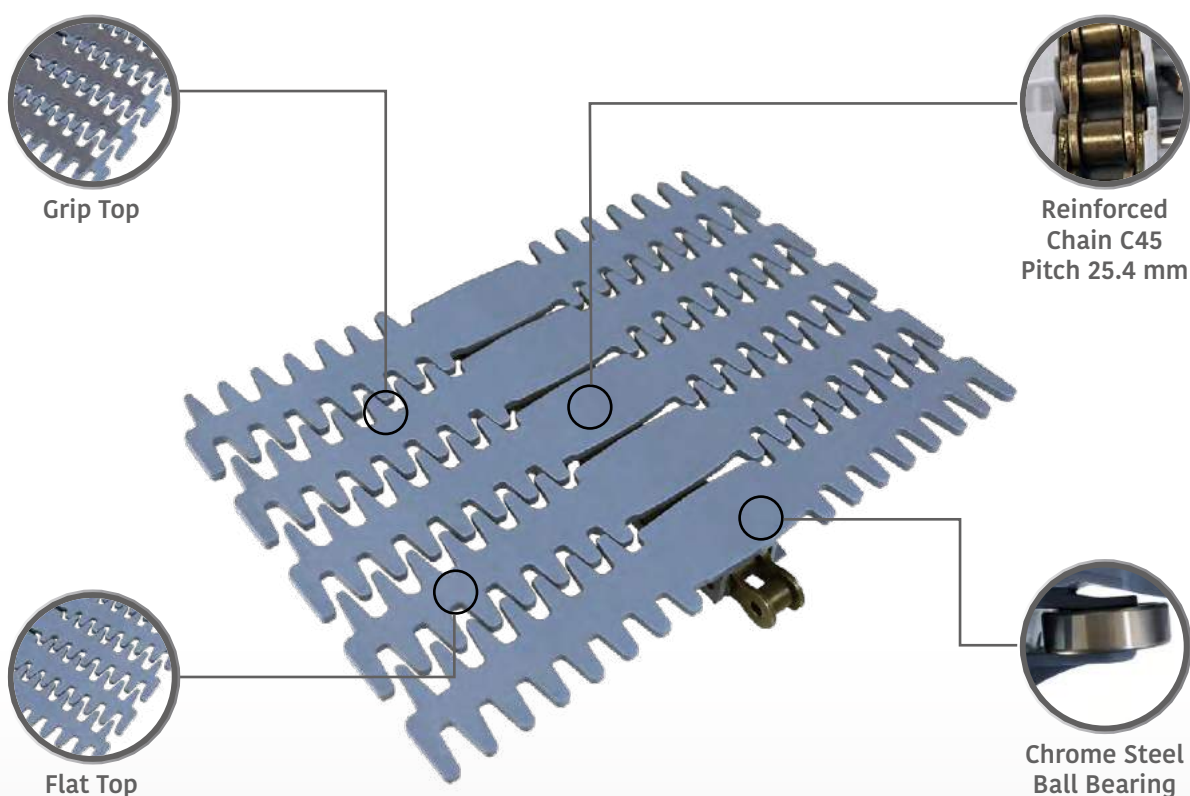


**SPROCKET**  
ASA 80  
Standard on market



Article-Nr.	Chain	Ref.	Plate Width mm	Weight kg/m	Max working load N	Sideflex radius min. mm	Material
11640110	C45	LFA SP 1883 TAB K1500	381,0	12,5	6500	711	LFA

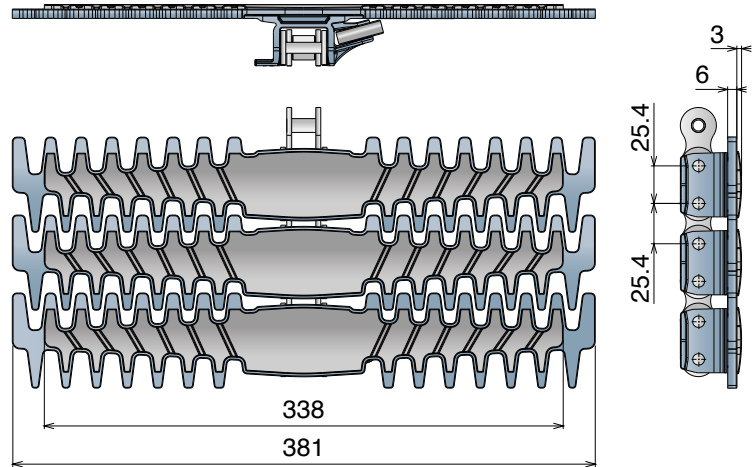
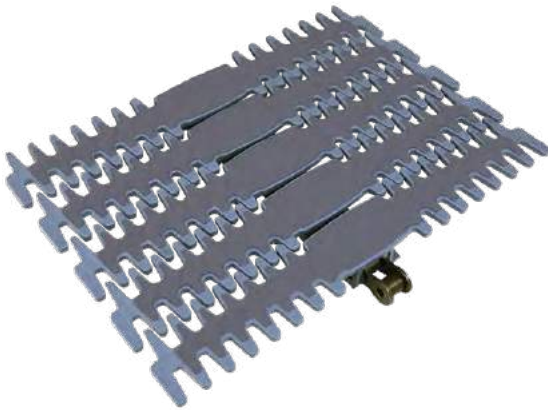
## Max Speed High Performance



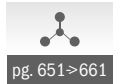
## SP 1883 GT

Catena curvilinea  
Sideflexing chain / Kurvengängige Plattenbandkette

Backflex radius min.: 350 mm



Standard length roller chain: 120 Pitches



Article-Nr.	Chain	Ref.	Plate Width mm	Weight kg/m	Max working load N	Sideflex radius min. mm	Material
11650110	C45	LFA SP 1883 GT TAB K1500	381,0	13,0	6500	711	LFA



# CC 600-CC 600 TAB

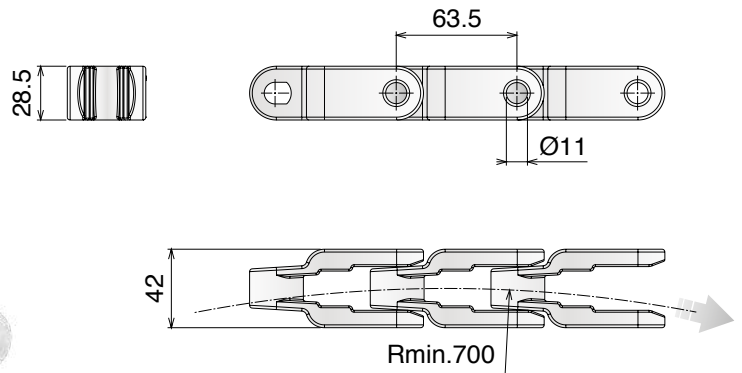
Catene in plastica / Plastic chains / Kunststoffkette

## CC 600

Catena curvilinea  
Sideflexing chain / Kurvengängige Scharnierbandkette

Delivery: **Easy** Standard

Pins: Stainless Steel | Backflex radius min.: 50 mm



10 feet 3.048 m	pg. 97	pg. 651>661
48 links		

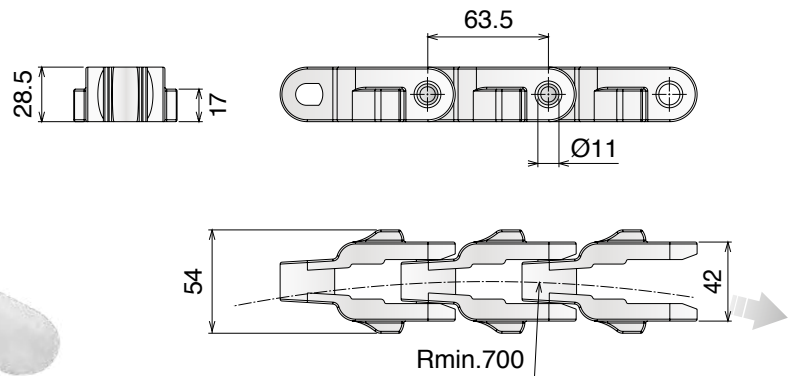
Article-Nr.	Ref.	Plate Width mm	Weight kg/m	Max working load N	Material
11220400	CC 600	42	1,35	4000	LFN
11220300	CC 600	42	1,35	3200	MX

## CC 600 TAB

Catena curvilinea  
Sideflexing chain / Kurvengängige Scharnierbandkette

Delivery: **Easy** Standard

Pins: Stainless Steel | Backflex radius min.: 50 mm



**TAB SYSTEM**

10 feet 3.048 m	pg. 97	pg. 651>661
48 links		

Article-Nr.	Ref.	Plate Width mm	Weight kg/m	Max working load N	Material
11230400	CC 600 TAB	42	1,45	4000	LFN
11230300	CC 600 TAB	42	1,45	3200	MX

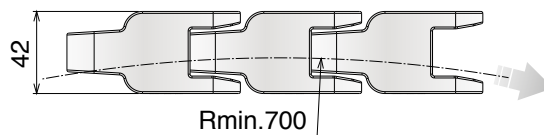
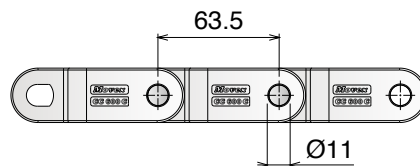
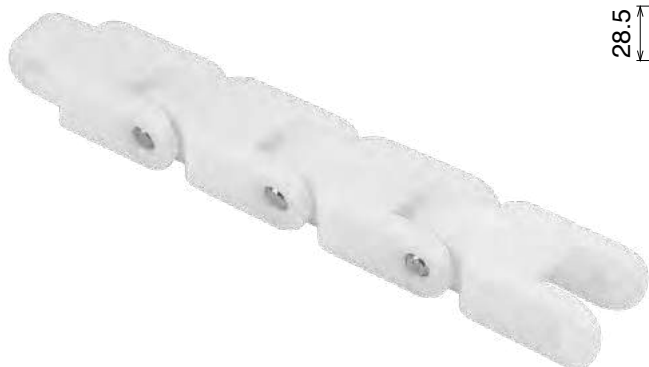
Catene in plastica / Plastic chains / Kunststoffkette

## CC 600 D

Catena curvilinea  
Sideflexing chain / Kurvengängige Scharnierbandkette

Delivery: **Easy** Standard

Pins: Stainless Steel | Backflex radius min.: 50 mm



48 links



pg. 97



pg. 651>661

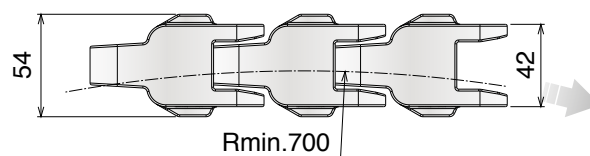
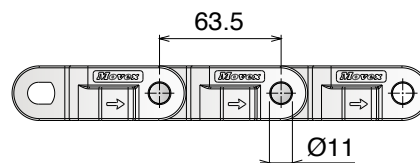
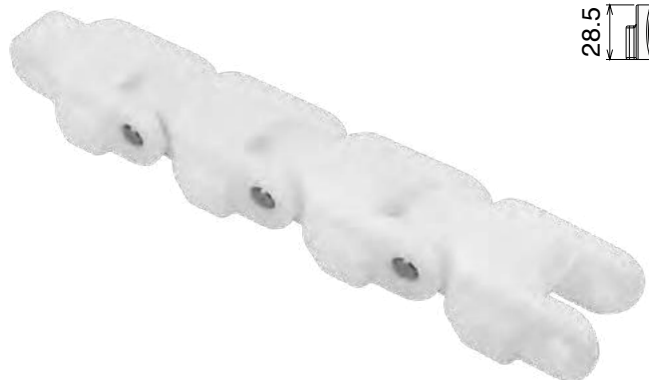
Article-Nr.	Ref.	Plate Width mm	Weight kg/m	Max working load N	Material
11220410	CC 600 D	42	1,40	4000	LFN
11220310	CC 600 D	42	1,40	3200	MX

## CC 600 D TAB

Catena curvilinea  
Sideflexing chain / Kurvengängige Scharnierbandkette

Delivery: **Easy** Standard

Pins: Stainless Steel | Backflex radius min.: 50 mm



**TAB SYSTEM**



48 links



pg. 97



pg. 651>661

Article-Nr.	Ref.	Plate Width mm	Weight kg/m	Max working load N	Material
11230410	CC 600 D TAB	42	1,55	4000	LFN
11230310	CC 600 D TAB	42	1,55	3200	MX

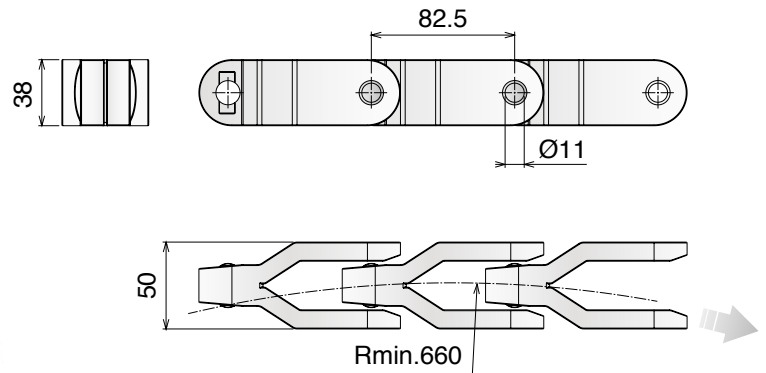
# CC 1400-CC 1400 TAB

Catene in plastica / Plastic chains / Kunststoffkette

## CC 1400

Catena curvilinea  
Sideflexing chain / Kurvengängige Scharnierbandkette

Pins: Stainless Steel | Backflex radius min.: 50 mm

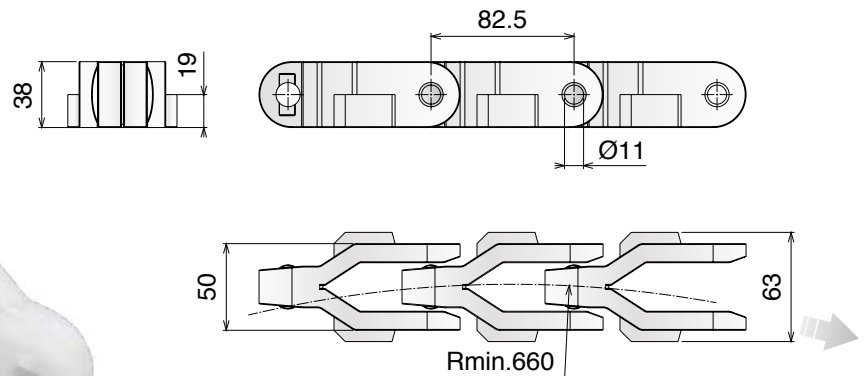


Article-Nr.	Ref.	Plate Width mm	Weight kg/m	Max working load N	Material
11300400	CC 1400	50	3,24	6500	LFN
11300300	CC 1400	50	3,24	5200	MX

## CC 1400 TAB

Catena curvilinea  
Sideflexing chain / Kurvengängige Scharnierbandkette

Pins: Stainless Steel | Backflex radius min.: 50 mm

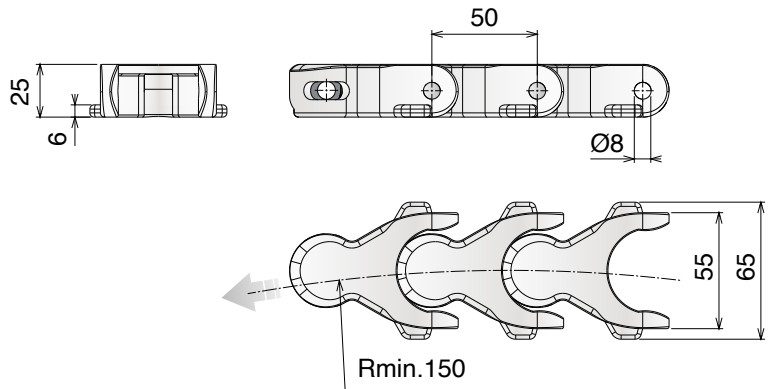


Article-Nr.	Ref.	Plate Width mm	Weight kg/m	Max working load N	Material
11310400	CC 1400 TAB	50	3,24	6500	LFN
11310300	CC 1400 TAB	50	3,24	5200	MX

## 1701 TAB OP

Catena curvilinea  
Sideflexing chain / Kardankette

Pins: Stainless Steel | Backflex radius min.: 50 mm



### TAB SYSTEM

10 feet 3.050 m	pg. 98	pg. 104	pg. 169/177	pg. 651->661
61 links				

Article-Nr.	Ref.	Plate Width mm	Weight kg/m	Max working load N	Material
11360400	LF 1701 TAB OP	55	1,40	2700	LFN

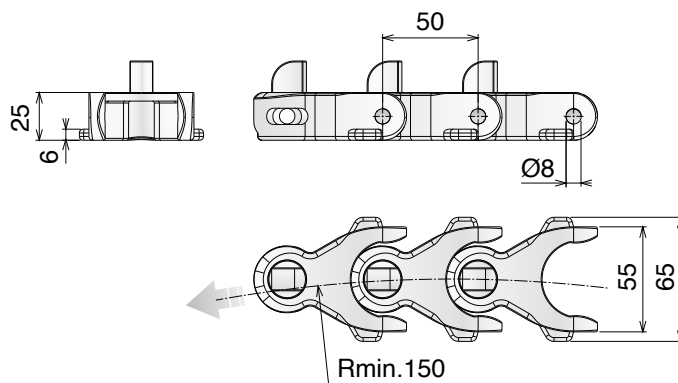
# 1701 TAB OPF

Catene in plastica / Plastic chains / Kunststoffkette

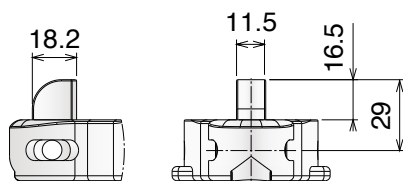
## 1701 TAB OPF

Catena curvilinea  
Sideflexing chain / Kardankette

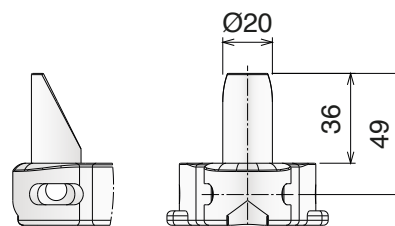
Pins: Stainless Steel | Backflex radius min. Type A/B/C: 100 mm | Backflex radius min. Type D: 120 mm



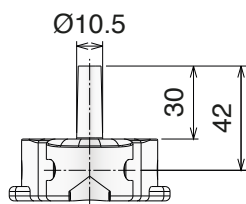
**Type A**



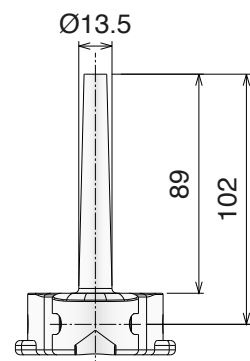
**Type B**








**Type C**



**Type D**



**TAB SYSTEM**

 10 feet 3.050 m	 pg. 98	 pg. 104	 pg. 169/177	 pg. 651>661
61 links				

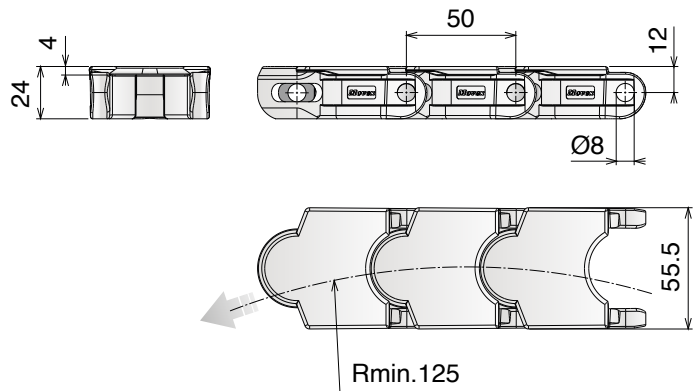
Article-Nr.	Ref.	Plate Width mm	Weight kg/m	Max working load N	Material
11360400-FA	1701 TAB Type A	55	1,60	2700	LFN
11360400-FB	1701 TAB Type B	55	1,60		
11360400-FC	1701 TAB Type C	55	2,00		
11360400-FD	1701 TAB Type D	55	2,30		



## 1706

Catena curvilinea  
Sideflexing chain / Kardankette

Pins: Stainless Steel | Backflex radius min.: 80 mm

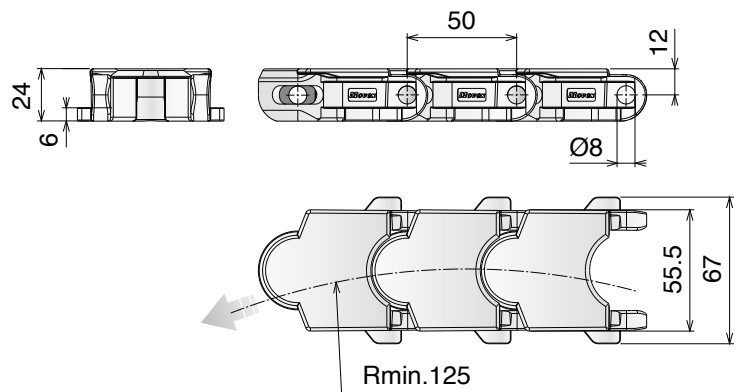


Article-Nr.	Ref.	Plate Width mm	Weight kg/m	Max working load N	Material
11720400	LF 1706	55,5	1,35	2300	LFN
11720300	MX 1706	55,5	1,35	1900	MX

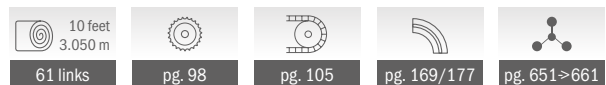
## 1706 TAB

Catena curvilinea  
Sideflexing chain / Kardankette

Pins: Stainless Steel | Backflex radius min.: 80 mm



**TAB SYSTEM**



Article-Nr.	Ref.	Plate Width mm	Weight kg/m	Max working load N	Material
11730400	LF 1706 TAB	55,5	1,38	2300	LFN
11730300	MX 1706 TAB	55,5	1,38	1900	MX

# 765 NO GAP

Catene in plastica / Plastic chains / Kunststoffkette

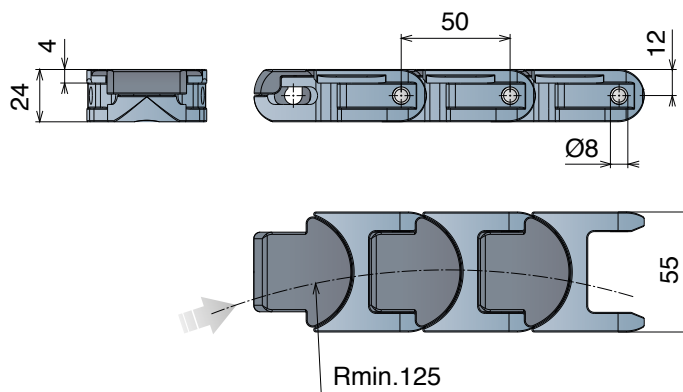
## 765 NO GAP

Catena curvilinea  
Sideflexing chain / Kardankette

UPDATED MATERIALS

Delivery: **Easy** **Standard**

Pins: Stainless Steel | Backflex radius min.: 50 mm



61 links



pg. 98



pg. 105



pg. 651>661

Article-Nr.	Ref.	Plate Width mm	Weight kg/m	Max working load N	Frame Material	Plate Material
11940100	765 LFA NO GAP	55	1,46	2670	LFA	MX
11940300	765 MX NO GAP	55	1,46	2200	MX	MK



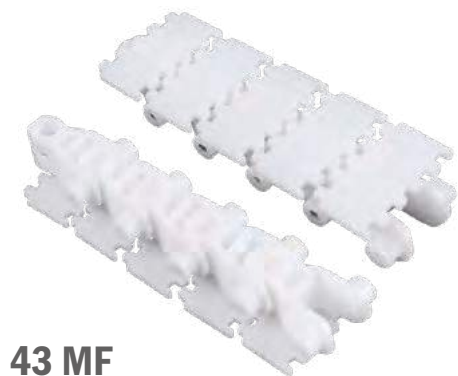
### Advantages:

- Improved safety
- Product stability
- Ideal to transport small products

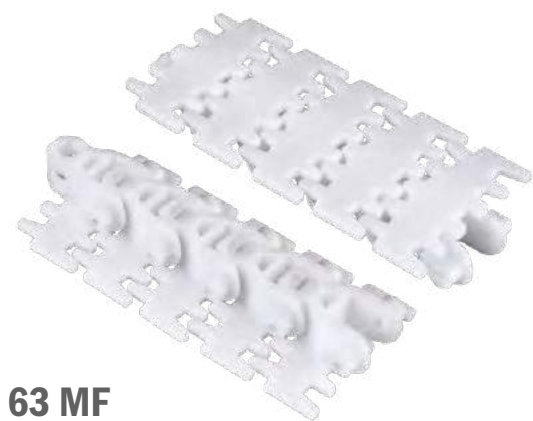
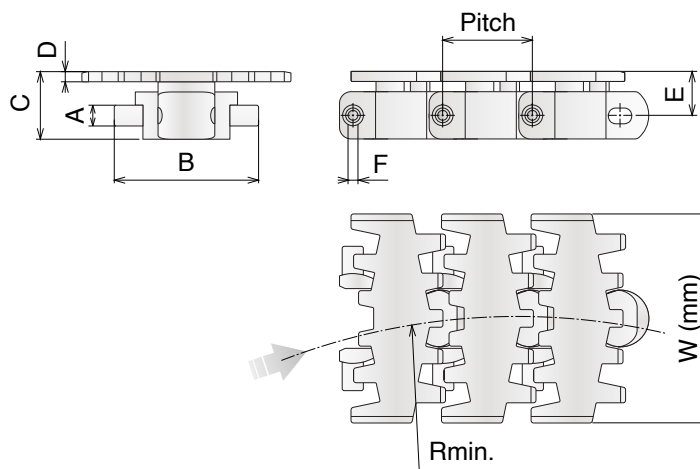
## 43 MF-63 MF-83 MF-103 MF

Catena curvilinea  
Sideflexing chain / Kardankette

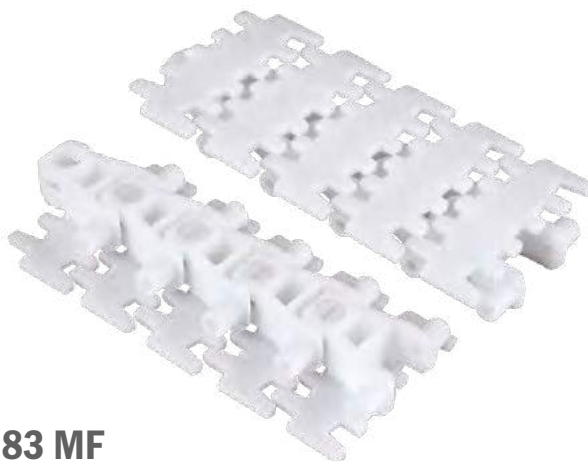
Pins: Stainless Steel | Backflex radius min.: 80 mm



43 MF



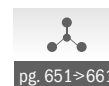
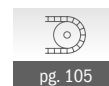
63 MF



83 MF



103 MF



Article-Nr.	Ref.	W (Plate Width) mm	A mm	B mm	C mm	D mm	E mm	F mm	Weight kg/m	Pitch	Radius min.	Links	Max working load N	Material
12010400	43 MF	43	8,25	35	22	3	13,25	4	0,60	25,4	140	3.048 (120 links)	2100	LFN
12010401	63 MF	63	8,25	35	22,5	3,5	13,75	4	0,80	25,4	150	3.048 (120 links)		
12010402	83 MF	83	11	58	27	4	17	6	1,70	33,5	160	3.015 (90 links)		
12010403	103 MF	103	12	75	26	4,5	17,5	6	2,00	35,5	170	3.195 (90 links)		

# 83 M-140 M

Catene in plastica / Plastic chains / Kunststoffkette

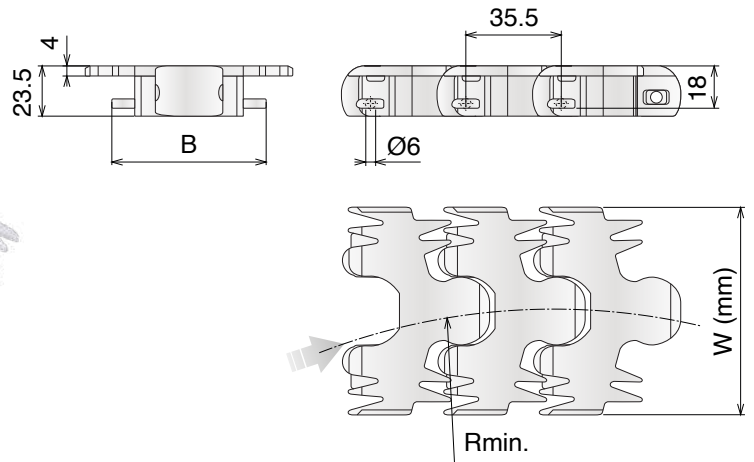
## 83 M-140 M

Catena curvilinea  
Sideflexing chain / Kardankette





Pins: Stainless Steel | Backflex radius min.: 150 mm



83 M



140 M

 10 feet 3.048 m			
80 links	pg. 101	pg. 106	pg. 651>661

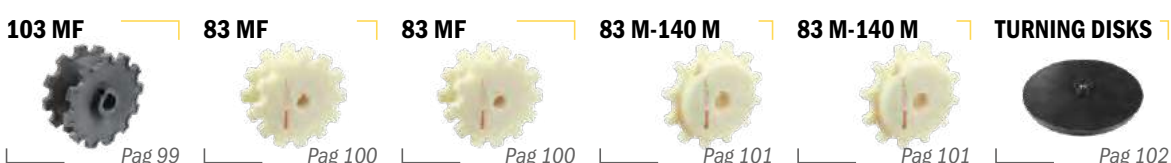
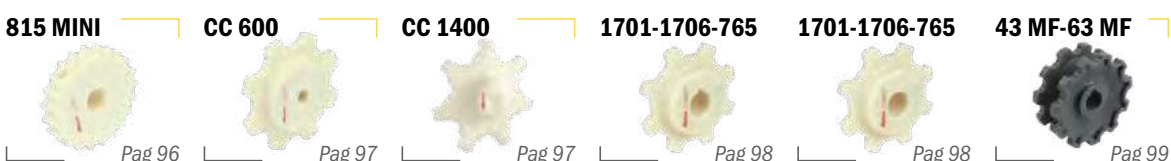
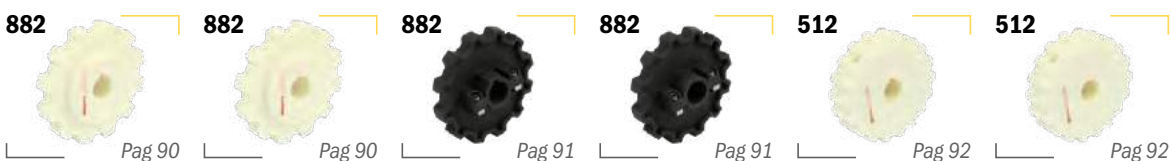
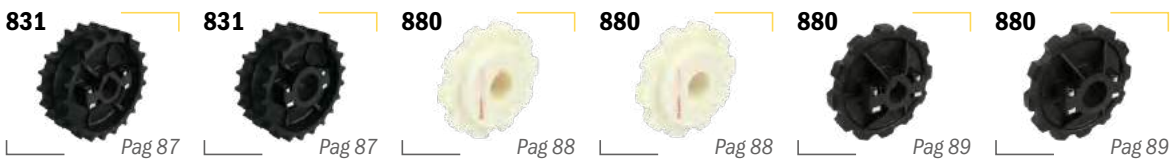
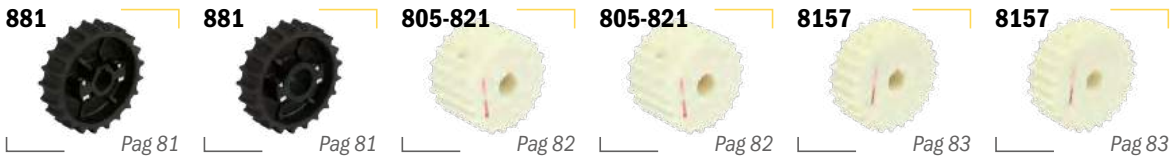
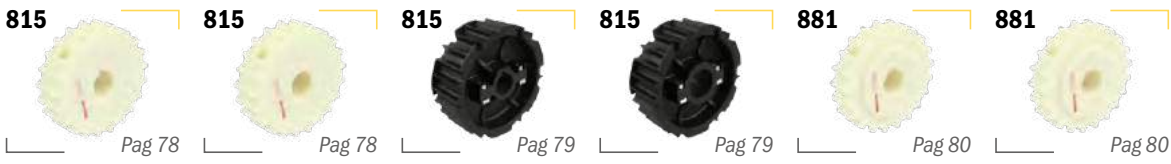
Article-Nr.	Ref.	W (Plate Width) mm	B mm	Weight kg/m	Pitch	Radius min.	Max working load N	Material
12020402	83 M	83	63	1,35	35,5	150	2100	LFN
12020404	140 M	140	63	2,10	35,5	250		



For bore tolerance refers to Movex engineering manual available on our website.



# Chain sprockets



Material Info:



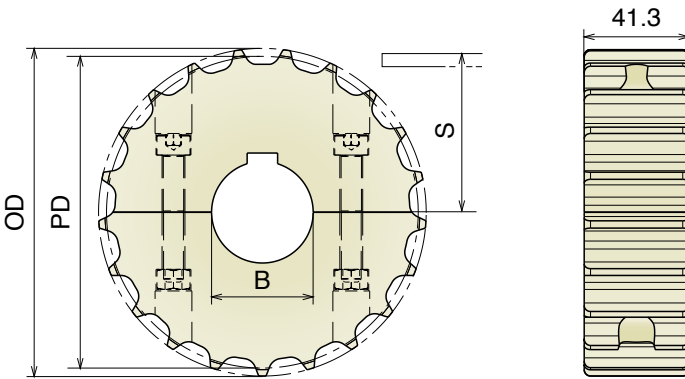
pg. 666

## 815

### Ruota traino divisa, fresata

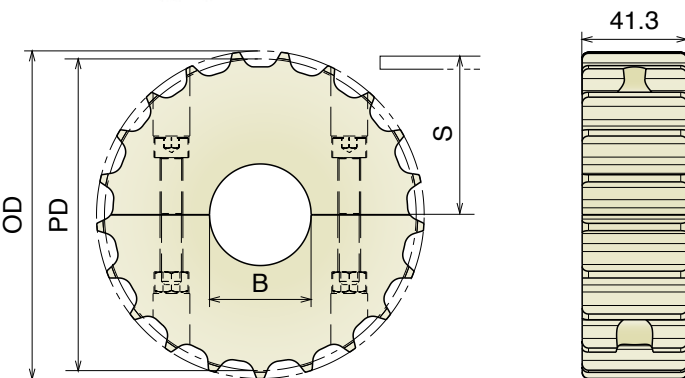
### Split drive sprocket, machined / geteiltes Antriebskettenrad gefräst

Delivery:	Easy	Standard	Also suitable for Series 881 M	Part	Article-Nr.	Z	Bore	PD	OD	S
				501	50101	17	25	105,5	103,9	55,9
				501	50102		30			
				501	50103		35			
				501	50104		40			
				502	50201	19	25	117,3	117,0	61,9
				502	50202		30			
				502	50203		35			
				502	50204		40			
				503	50301	21	25	129,3	129,0	67,8
				503	50302		30			
				503	50303		35			
				503	50304		40			
				504	50401	23	25	141,2	142,0	73,8
				504	50402		30			
				504	50403		35			
				504	50404		40			
				505	50501	25	25	153,2	154,0	79,8
				505	50502		30			
				505	50503		35			
				505	50504		40			
				506	50601	27	25	165,2	166,8	85,8
				506	50602		30			
				506	50603		35			
				506	50604		40			
				507	50701	29	25	177,2	178,5	91,8
				507	50702		30			
				507	50703		35			
				507	50704		40			



### Ruota rinvio divisa, fresata

### Split idler sprocket, machined / geteiltes Umlenrad, gefräst



Part	Article-Nr.	Z	Bore	PD	OD	S
501	50150	17	18*	105,5	103,9	55,9
501	50151		25			
501	50152		30			
501	50153		35			
501	50154		40			
502	50250	19	18*	117,3	117,0	61,9
502	50251		25			
502	50252		30			
502	50253		35			
502	50254		40			
503	50350	21	18*	129,3	129,0	67,8
503	50351		25			
503	50352		30			
503	50353		35			
503	50354		40			
504	50450	23	18*	141,2	142,0	73,8
504	50451		25			
504	50452		30			
504	50453		35			
504	50454		40			
505	50550	25	18*	153,2	154,0	79,8
505	50551		25			
505	50552		30			
505	50553		35			
505	50554		40			
506	50650	27	18*	165,2	166,8	85,8
506	50651		25			
506	50652		30			
506	50653		35			
506	50654		40			
507	50750	29	18*	177,2	178,5	91,8
507	50751		25			
507	50752		30			
507	50753		35			
507	50754		40			

\*Plain Bore

**Materiale / Material / Materialien:**

Poliamide rinforzato/Polyamide reinforced/Verstärktes Polyamid  
 Viti: Acciaio inox/Screws: Stainless steel/Schrauben: Edelstahl  
 Dadi: Ottone nichelato/Nuts: Nickel plated brass/Mutter: Messing

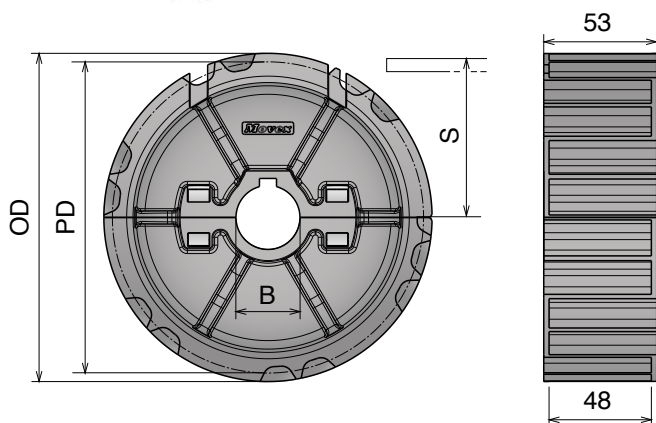
# 815

## Ruota traino divisa, stampata

### Split drive sprocket, molded / geteiltes Antriebskettenrad, gespritzt

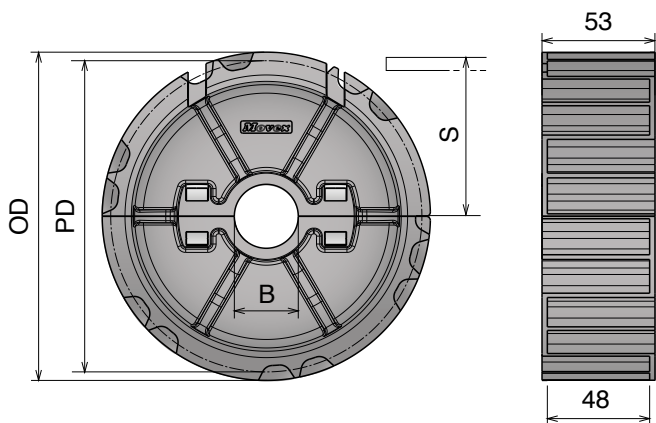
Delivery: **Easy** **Standard** Also suitable for Series 881 M

Part	Article-Nr.	Z-	Bore	PD	OD	S
508	50801	21	25	129,3	129,0	67,8
508	50802		30			
508	50803		35			
508	50804		40			
509	50901	23	25	141,2	142,0	73,8
509	50902		30			
509	50903		35			
509	50904		40			
510	51001	25	25	153,2	154,0	79,8
510	51002		30			
510	51003		35			
510	51004		40			



## Ruota rinvio divisa, stampata

### Split idler sprocket, molded / geteiltes Umlenkrad, gespritzt



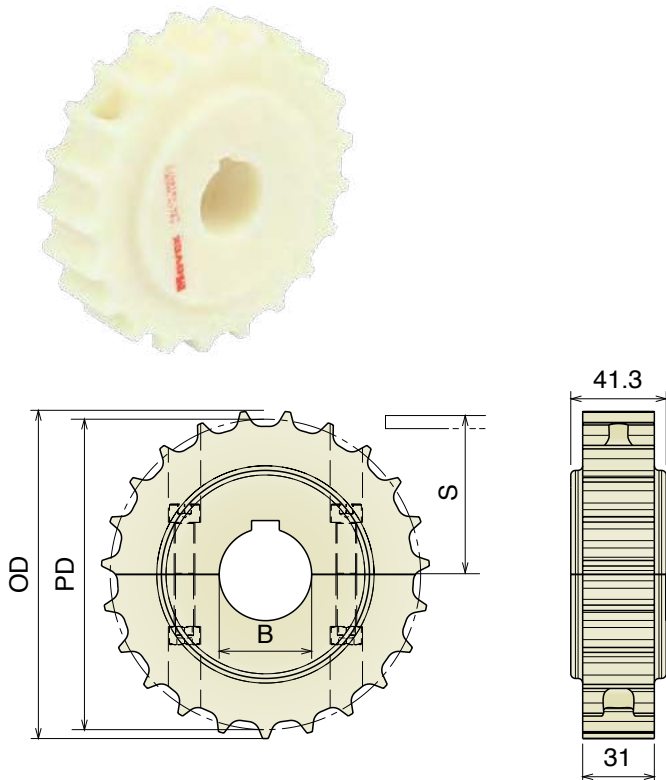
Part	Article-Nr.	Z-	Bore	PD	OD	S
508	50851	21	25	129,3	129,0	67,8
508	50852		30			
508	50853		35			
508	50854		40			
509	50951	23	25	141,2	142,0	73,8
509	50952		30			
509	50953		35			
509	50954		40			
510	51051	25	25	153,2	154,0	79,8
510	51052		30			
510	51053		35			
510	51054		40			

## 881

### Ruota traino divisa, fresata

### Split drive sprocket, machined / geteiltes Antriebskettenrad gefräst

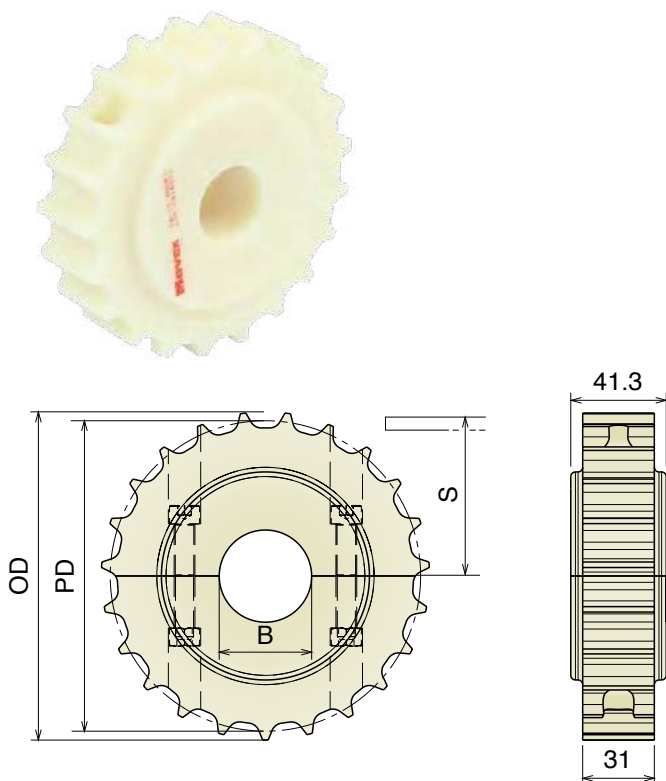
Also suitable for Series 881 M, 881 B and 881 TAB



Part	Article-Nr.	Z	Bore	PD	OD	S
511	51101	17	25	105,5	103,9	55,9
511	51102		30			
511	51103		35			
511	51104		40			
512	51201	19	25	117,3	117,0	61,9
512	51202		30			
512	51203		35			
512	51204		40			
513	51301	21	25	129,3	129,0	67,8
513	51302		30			
513	51303		35			
513	51304		40			
514	51401	23	25	141,2	142,0	73,8
514	51402		30			
514	51403		35			
514	51404		40			
515	51501	25	25	153,2	154,0	79,8
515	51502		30			
515	51503		35			
515	51504		40			
516	51601	27	25	165,2	166,8	85,8
516	51602		30			
516	51603		35			
516	51604		40			
517	51701	29	25	177,2	178,5	91,8
517	51702		30			
517	51703		35			
517	51704		40			

### Ruota rinvio divisa, fresata

### Split idler sprocket, machined / geteiltes Umlenrad, gefräst



Part	Article-Nr.	Z	Bore	PD	OD	S
511	51150	17	18*	105,5	103,9	55,9
511	51151		25			
511	51152		30			
511	51153		35			
511	51154		40			
512	51250	19	18*	117,3	117,0	61,9
512	51251		25			
512	51252		30			
512	51253		35			
512	51254		40			
513	51350	21	18*	129,3	129,0	67,8
513	51351		25			
513	51352		30			
513	51353		35			
513	51354		40			
514	51450	23	18*	141,2	142,0	73,8
514	51451		25			
514	51452		30			
514	51453		35			
514	51454		40			
515	51550	25	18*	153,2	154,0	79,8
515	51551		25			
515	51552		30			
515	51553		35			
515	51554		40			
516	51650	27	18*	165,2	166,8	85,8
516	51651		25			
516	51652		30			
516	51653		35			
516	51654		40			
517	51750	29	18*	177,2	178,5	91,8
517	51751		25			
517	51752		30			
517	51753		35			
517	51754		40			

\*Plain Bore



**Materiale / Material / Materialien:**

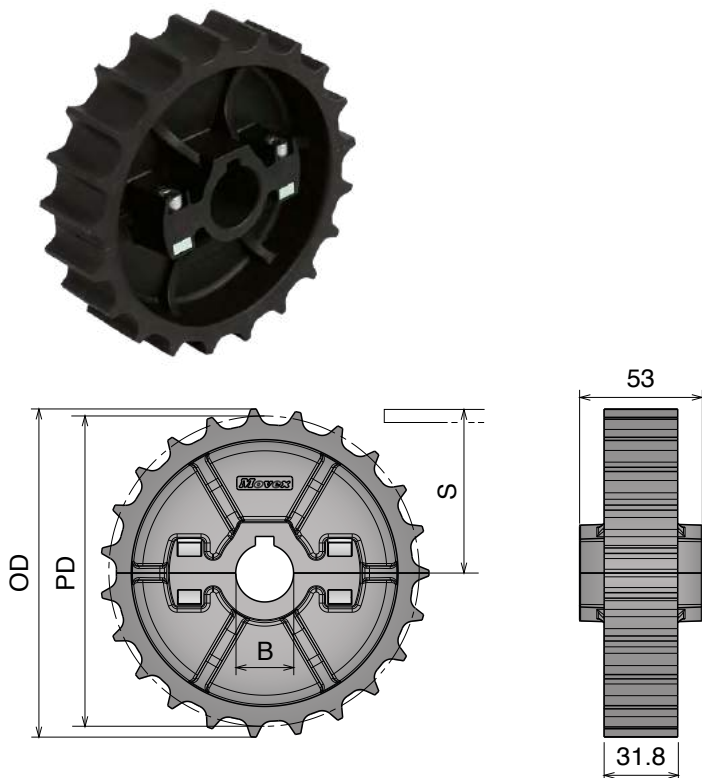
Poliammide rinforzato / Polyamide reinforced / Verstärktes Polyamid

Viti: Acciaio inox / Screws: Stainless steel / Schrauben: Edelstahl

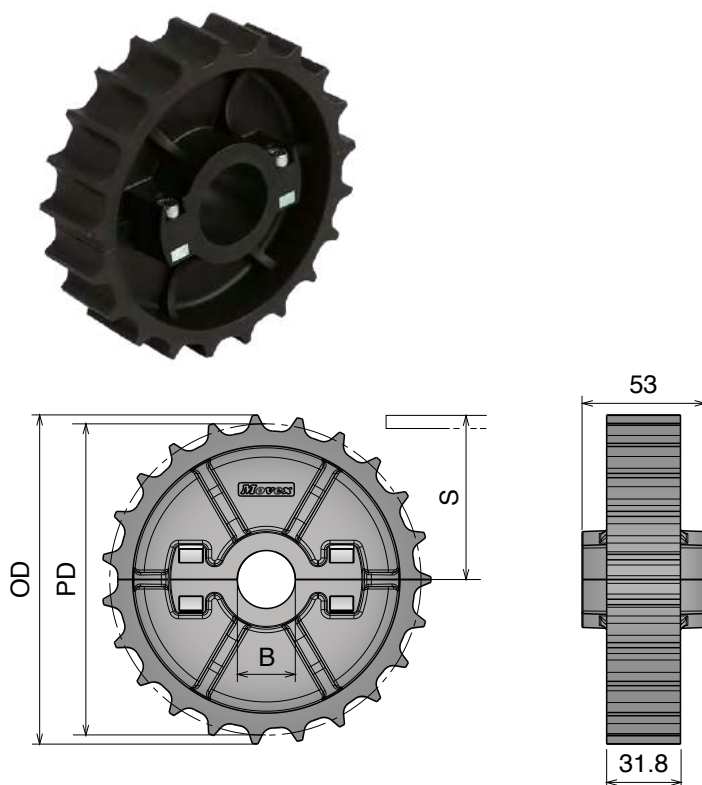
Dadi: Ottone nichelato / Nuts: Nickel plated brass / Mutter: Messing

**881** Ruota traino divisa, stampata  
Split drive sprocket, molded / geteiltes Antriebskettenrad, gespritzt

Delivery:	Easy	Standard	Also suitable for Series 881 M, 881 B and 881 TAB	Part	Article-Nr.	Z-	Bore	PD	OD	S
				518	51801	21	25	129,3	129,0	67,8
				518	51802		30			
				518	51803		35			
				518	51804		40			
				519	51901	23	25	141,2	142,0	73,8
				519	51902		30			
				519	51903		35			
				519	51904		40			
				520	52001	25	25	153,2	154,0	79,8
				520	52002		30			
				520	52003		35			
				520	52004		40			

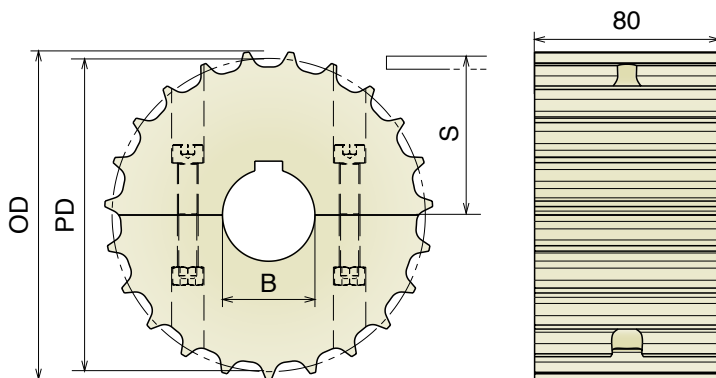
Ruota rinvio divisa, stampata  
Split idler sprocket, molded / geteiltes Umlenkrad, gespritzt

Part	Article-Nr.	Z-	Bore	PD	OD	S
518	51851	21	25	129,3	129,0	67,8
518	51852		30			
518	51853		35			
518	51854		40			
519	51951	23	25	141,2	142,0	73,8
519	51952		30			
519	51953		35			
519	51954		40			
520	52051	25	25	153,2	154,0	79,8
520	52052		30			
520	52053		35			
520	52054		40			



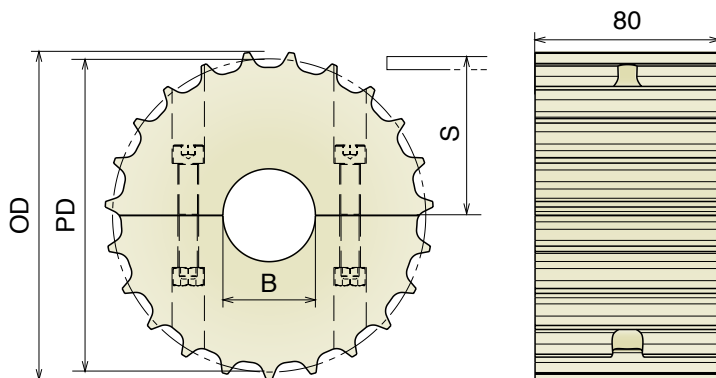
## 805-821 Ruota traino divisa, fresata Split drive sprocket, machined / geteiltes Antriebskettenrad gefräst

Delivery: **Easy** **Standard**



Part	Article-Nr.	Z	Bore	PD	OD	S
521	52101	17	25	105,5	103,9	55,9
521	52102		30			
521	52103		35			
521	52104		40			
522	52201	19	25	117,3	117,0	61,9
522	52202		30			
522	52203		35			
522	52204		40			
523	52301	21	25	129,3	129,0	67,8
523	52302		30			
523	52303		35			
523	52304		40			
524	52401	23	25	141,2	142,0	73,8
524	52402		30			
524	52403		35			
524	52404		40			
525	52501	25	25	153,2	154,0	79,8
525	52502		30			
525	52503		35			
525	52504		40			
526	52601	27	25	165,2	166,8	85,8
526	52602		30			
526	52603		35			
526	52604		40			
527	52701	29	25	177,2	178,5	91,8
527	52702		30			
527	52703		35			
527	52704		40			

## Ruota rinvio divisa, fresata Split idler sprocket, machined / geteiltes Umlenrad, gefräst



Part	Article-Nr.	Z	Bore	PD	OD	S
521	52150	17	18*	105,5	103,9	55,9
521	52151		25			
521	52152		30			
521	52153		35			
521	52154		40			
522	52250	19	18*	117,3	117,0	61,9
522	52251		25			
522	52252		30			
522	52253		35			
522	52254		40			
523	52350	21	18*	129,3	129,0	67,8
523	52351		25			
523	52352		30			
523	52353		35			
523	52354		40			
524	52450	23	18*	141,2	142,0	73,8
524	52451		25			
524	52452		30			
524	52453		35			
524	52454		40			
525	52550	25	18*	153,2	154,0	79,8
525	52551		25			
525	52552		30			
525	52553		35			
525	52554		40			
526	52650	27	18*	165,2	166,8	85,8
526	52651		25			
526	52652		30			
526	52653		35			
526	52654		40			
527	52750	29	18*	177,2	178,5	91,8
527	52751		25			
527	52752		30			
527	52753		35			
527	52754		40			

\*Plain Bore

**Materiale / Material / Materialien:**

Poliammide/Polyamide/Polyamid

Viti: Acciaio inox/Screws: Stainless steel/Schrauben: Edelstahl

Dadi: Ferro zincato/Nuts: Zinc plated steel/Mutter: Verzinkter Stahl

**8157**

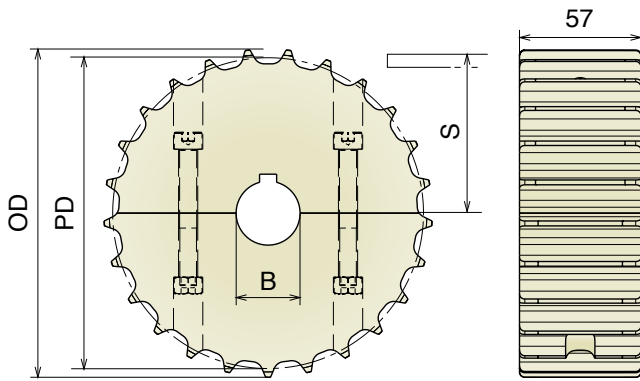
Ruote dentate per catene / Chain sprockets / Kettenräder für Scharnierbandketten

**8157**

**Ruota traino divisa, fresata**

**Split drive sprocket, machined / geteiltes Antriebskettenrad gefräst**

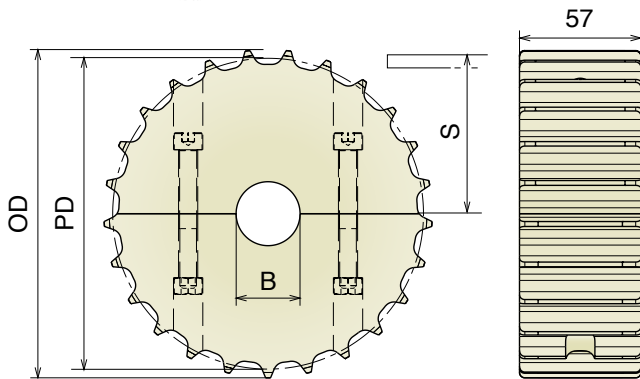
Delivery: **Easy** **Standard** Also suitable for Series 8857 M - 8857 M GT



Part	Article-Nr.	Z-	Bore	PD	OD	S
528	52801	17	25	105,5	103,9	55,9
528	52802		30			
528	52803		35			
528	52804		40			
529	52901	19	25	117,3	117,0	61,9
529	52902		30			
529	52903		35			
529	52904		40			
530	53001	21	25	129,3	129,0	67,8
530	53002		30			
530	53003		35			
530	53004		40			
531	53101	23	25	141,2	142,0	73,8
531	53102		30			
531	53103		35			
531	53104		40			
532	53201	25	25	153,2	154,0	79,8
532	53202		30			
532	53203		35			
532	53204		40			
533	53301	27	25	165,2	166,8	85,8
533	53302		30			
533	53303		35			
533	53304		40			
534	53401	29	25	177,2	178,5	91,8
534	53402		30			
534	53403		35			
534	53404		40			

**Ruota rinvio divisa, fresata**

**Split idler sprocket, machined / geteiltes Umlenrad, gefräst**



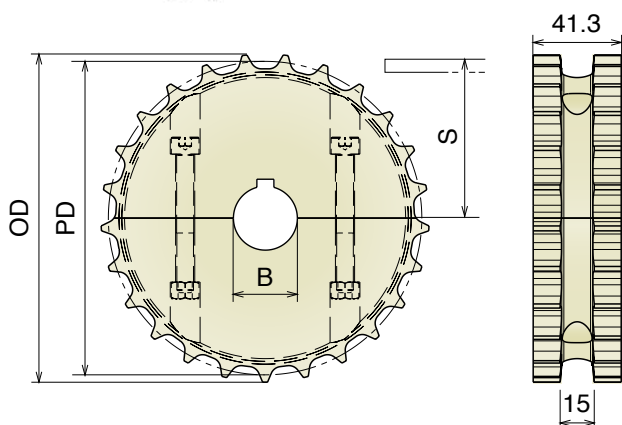
Part	Article-Nr.	Z-	Bore	PD	OD	S
528	52850	17	18*	105,5	103,9	55,9
528	52851		25			
528	52852		30			
528	52853		35			
528	52854		40			
529	52950	19	18*	117,3	117,0	61,9
529	52951		25			
529	52952		30			
529	52953		35			
529	52954		40			
530	53050	21	18*	129,3	129,0	67,8
530	53051		25			
530	53052		30			
530	53053		35			
530	53054		40			
531	53150	23	18*	141,2	142,0	73,8
531	53151		25			
531	53152		30			
531	53153		35			
531	53154		40			
532	53250	25	18*	153,2	154,0	79,8
532	53251		25			
532	53252		30			
532	53253		35			
532	53254		40			
533	53350	27	18*	165,2	166,8	85,8
533	53351		25			
533	53352		30			
533	53353		35			
533	53354		40			
534	53450	29	18*	177,2	178,5	91,8
534	53451		25			
534	53452		30			
534	53453		35			
534	53454		40			

\*Plain Bore

820

## Ruota traino divisa, fresata

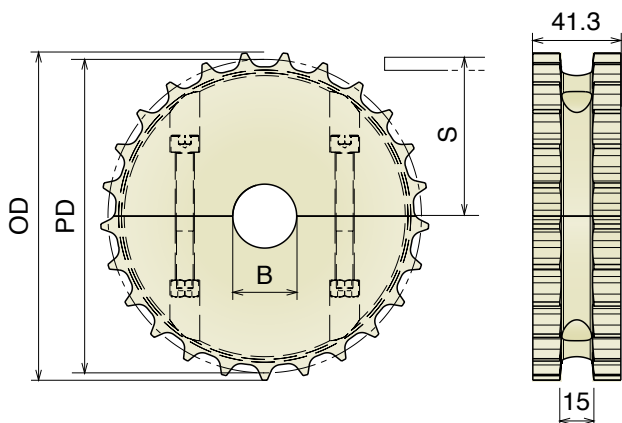
## Split drive sprocket, machined / geteiltes Antriebskettenrad gefräst

Delivery: **Easy** **Standard**

Part	Article-Nr.	Z	Bore	PD	OD	S
535	53501	17	25	105,5	103,9	55,9
535	53502		30			
535	53503		35			
535	53504		40			
536	53601	19	25	117,3	117,0	61,9
536	53602		30			
536	53603		35			
536	53604		40			
537	53701	21	25	129,3	129,0	67,8
537	53702		30			
537	53703		35			
537	53704		40			
538	53801	23	25	141,2	142,0	73,8
538	53802		30			
538	53803		35			
538	53804		40			
539	53901	25	25	153,2	154,0	79,8
539	53902		30			
539	53903		35			
539	53904		40			
540	54001	27	25	165,2	166,8	85,8
540	54002		30			
540	54003		35			
540	54004		40			
541	54101	29	25	177,2	178,5	91,8
541	54102		30			
541	54103		35			
541	54104		40			

## Ruota rinvio divisa, fresata

## Split idler sprocket, machined / geteiltes Umlenrad, gefräst



Part	Article-Nr.	Z	Bore	PD	OD	S
535	53550	17	18*	105,5	103,9	55,9
535	53551		25			
535	53552		30			
535	53553		35			
535	53554		40			
536	53650	19	18*	117,3	117,0	61,9
536	53651		25			
536	53652		30			
536	53653		35			
536	53654		40			
537	53750	21	18*	129,3	129,0	67,8
537	53751		25			
537	53752		30			
537	53753		35			
537	53754		40			
538	53850	23	18*	141,2	142,0	73,8
538	53851		25			
538	53852		30			
538	53853		35			
538	53854		40			
539	53950	25	18*	153,2	154,0	79,8
539	53951		25			
539	53952		30			
539	53953		35			
539	53954		40			
540	54050	27	18*	165,2	166,8	85,8
540	54051		25			
540	54052		30			
540	54053		35			
540	54054		40			
541	54150	29	18*	177,2	178,5	91,8
541	54151		25			
541	54152		30			
541	54153		35			
541	54154		40			

\*Plain Bore

**Materiale / Material / Materialien:**

Poliamide rinforzato/Polyamide reinforced/Verstärktes Polyamid  
 Viti: Acciaio inox/Screws: Stainless steel/Schrauben: Edelstahl  
 Dadi: Ottone nichelato/Nuts: Nickel plated brass/Mutter: Messing

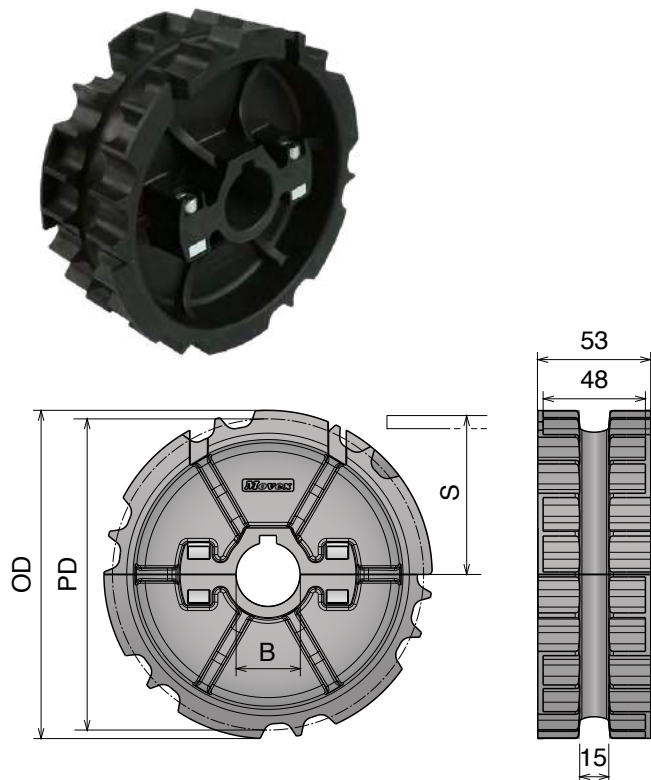
Ruote dentate per catene / Chain sprockets / Kettenräder für Scharnierbandketten

## 820 Ruota traino divisa, stampata

Split drive sprocket, molded / geteiltes Antriebskettenrad, gespritzt

Delivery: **Easy** Standard

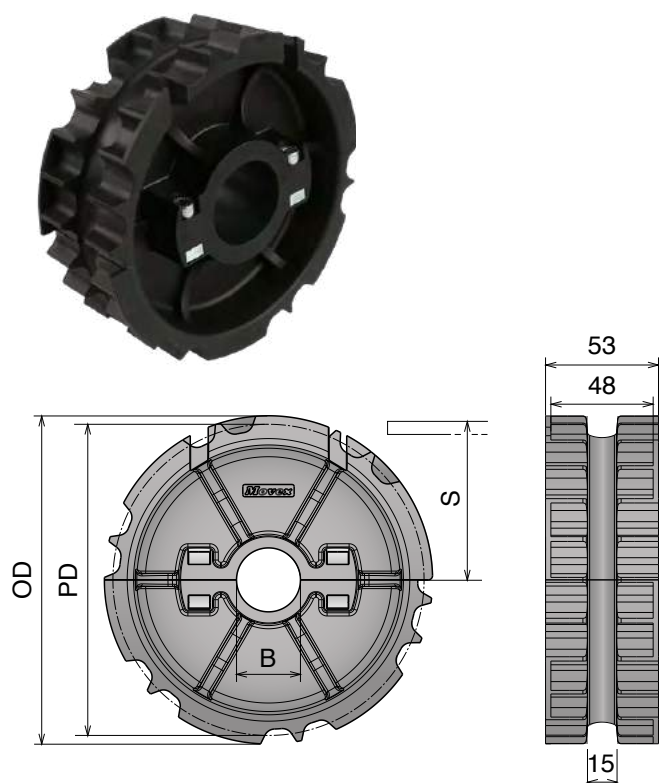
Part	Article-Nr.	Z-	Bore	PD	OD	S
542	54201	21	25	129,3	129,0	67,8
542	54202		30			
542	54203		35			
542	54204		40			
543	54301	23	25	141,2	142,0	73,8
543	54302		30			
543	54303		35			
543	54304		40			
544	54401	25	25	153,2	154,0	79,8
544	54402		30			
544	54403		35			
544	54404		40			



## Ruota rinvio divisa, stampata

Split idler sprocket, molded / geteiltes Umlenkrad, gespritzt

Part	Article-Nr.	Z-	Bore	PD	OD	S
542	54251	21	25	129,3	129,0	67,8
542	54252		30			
542	54253		35			
542	54254		40			
543	54351	23	25	141,2	142,0	73,8
543	54352		30			
543	54353		35			
543	54354		40			
544	54451	25	25	153,2	154,0	79,8
544	54452		30			
544	54453		35			
544	54454		40			

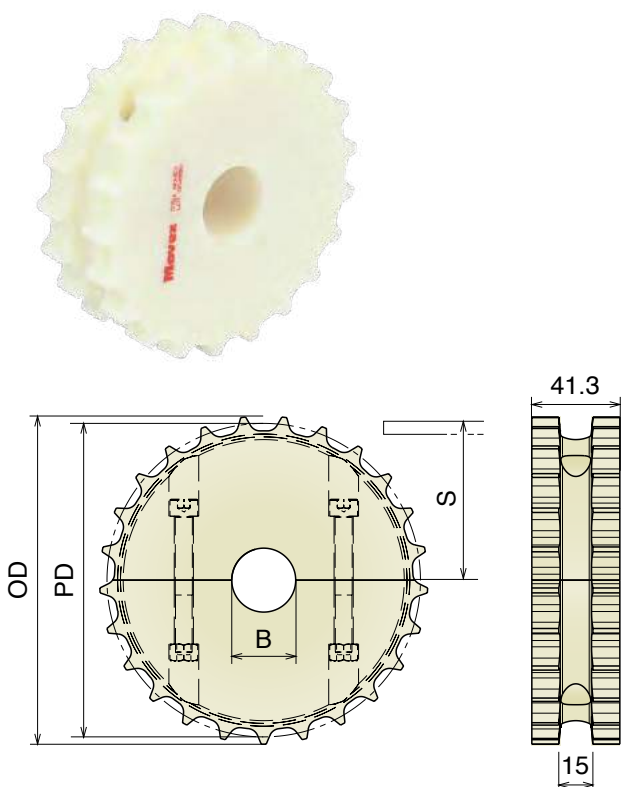


# 831

Ruota traino divisa, fresata  
Split drive sprocket, machined / geteiltes Antriebskettenrad gefräst

Delivery:	Easy	Standard	Part	Article-Nr.	Z	Bore	PD	OD	S
			535	53501	17	25	105,5	103,9	55,1
			535	53502		30			
			535	53503		35			
			535	53504		40			
			536	53601	19	25	117,3	117,0	61,1
			536	53602		30			
			536	53603		35			
			536	53604		40			
			537	53701	21	25	129,3	129,0	67,0
			537	53702		30			
			537	53703		35			
			537	53704		40			
			538	53801	23	25	141,2	142,0	73,0
			538	53802		30			
			538	53803		35			
			538	53804		40			
			539	53901	25	25	153,2	154,0	79,0
			539	53902		30			
			539	53903		35			
			539	53904		40			
			540	54001	27	25	165,2	166,8	85,0
			540	54002		30			
			540	54003		35			
			540	54004		40			
			541	54101	29	25	177,2	178,5	91,0
			541	54102		30			
			541	54103		35			
			541	54104		40			

## Ruota rinvio divisa, fresata Split idler sprocket, machined / geteiltes Umlenrad, gefräst



Part	Article-Nr.	Z	Bore	PD	OD	S
535	53550	17	18*	105,5	103,9	55,1
535	53551		25			
535	53552		30			
535	53553		35			
535	53554		40			
536	53650	19	18*	117,3	117,0	61,1
536	53651		25			
536	53652		30			
536	53653		35			
536	53654		40			
537	53750	21	18*	129,3	129,0	67,0
537	53751		25			
537	53752		30			
537	53753		35			
537	53754		40			
538	53850	23	18*	141,2	142,0	73,0
538	53851		25			
538	53852		30			
538	53853		35			
538	53854		40			
539	53950	25	18*	153,2	154,0	79,0
539	53951		25			
539	53952		30			
539	53953		35			
539	53954		40			
540	54050	27	18*	165,2	166,8	85,0
540	54051		25			
540	54052		30			
540	54053		35			
540	54054		40			
541	54150	29	18*	177,2	178,5	91,0
541	54151		25			
541	54152		30			
541	54153		35			
541	54154		40			

\*Plain Bore

**Materiale / Material / Materialien:**

Poliamide rinforzato/Polyamide reinforced/Verstärktes Polyamid  
 Viti: Acciaio inox/Screws: Stainless steel/Schrauben: Edelstahl  
 Dadi: Ottone nichelato/Nuts: Nickel plated brass/Mutter: Messing

## 831 Ruota traino divisa, stampata

*Split drive sprocket, molded / geteiltes Antriebskettenrad, gespritzt*

Part	Article-Nr.	Z	Bore	PD	OD	S
542	54201-2L	21	25	129,3	129,0	67,0
542	54202-2L		30			
542	54203-2L		35			
542	54204-2L		40			
543	54301-2L	23	25	141,2	142,0	73,0
543	54302-2L		30			
543	54303-2L		35			
543	54304-2L		40			
544	54401-2L	25	25	153,2	154,0	79,0
544	54402-2L		30			
544	54403-2L		35			
544	54404-2L		40			

## Ruota rinvio divisa, stampata

*Split idler sprocket, molded / geteiltes Umlenkrad, gespritzt*

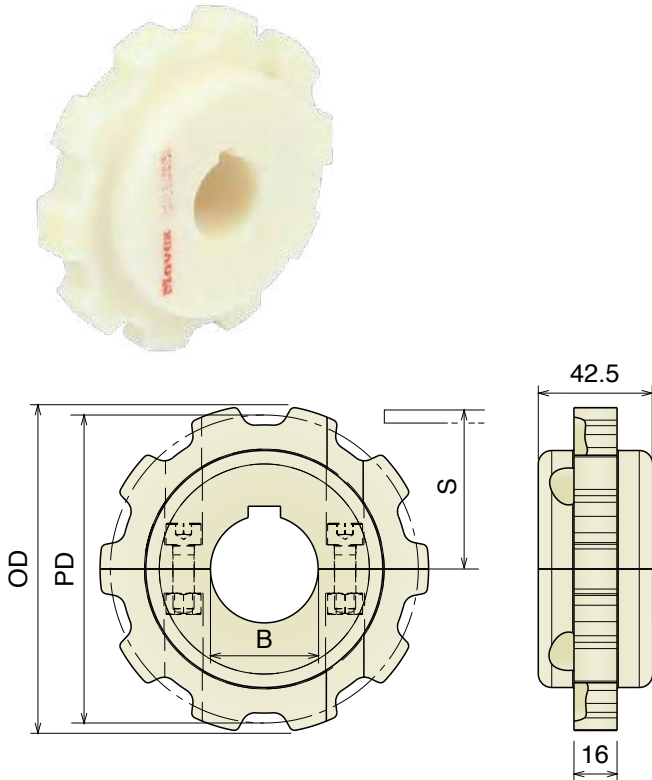
Part	Article-Nr.	Z	Bore	PD	OD	S
542	54251-2L	21	25	129,3	129,0	67,0
542	54252-2L		30			
542	54253-2L		35			
542	54254-2L		40			
543	54351-2L	23	25	141,2	142,0	73,0
543	54352-2L		30			
543	54353-2L		35			
543	54354-2L		40			
544	54451-2L	25	25	153,2	154,0	79,0
544	54452-2L		30			
544	54453-2L		35			
544	54454-2L		40			

880

## Ruota traino divisa, fresata

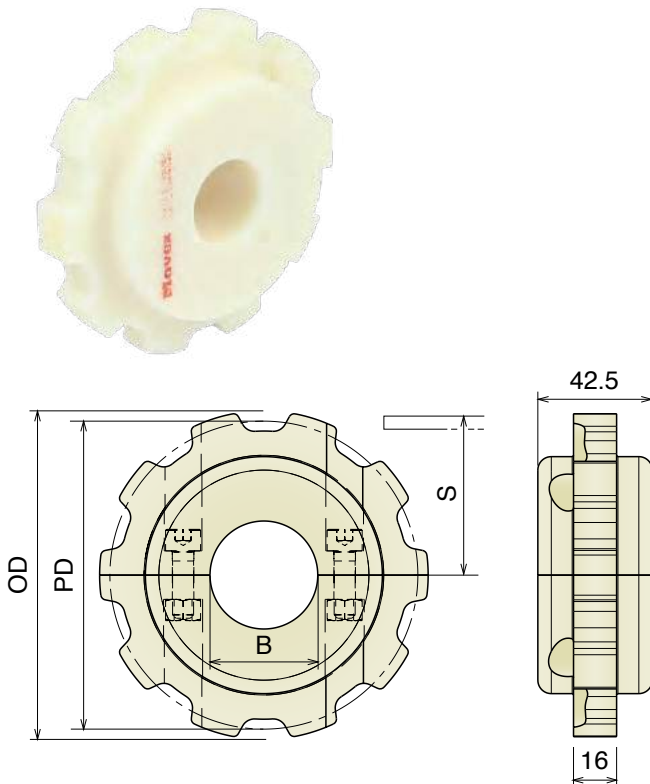
## Split drive sprocket, machined / geteiltes Antriebskettenrad gefräst

Delivery:	Easy	Standard	Used also for Series 828 - 878 TAB - 879 M - 879 TAB - 888 TAB - 888 TAB GT	Part	Article-Nr.	Z	Bore	PD	OD	S
				545	54501	9	25	111,4	110,0	59,3
				545	54502		30			
				545	54503		35			
				545	54504		40			
				546	54601	10	25	123,3	122,0	65,25
				546	54602		30			
				546	54603		35			
				546	54604		40			
				547	54701	11	25	135,2	135,0	71,2
				547	54702		30			
				547	54703		35			
				547	54704		40			
				548	54801	12	25	147,2	147,3	77,2
				548	54802		30			
				548	54803		35			
				548	54804		40			



## Ruota rinvio divisa, fresata

## Split idler sprocket, machined / geteiltes Umlenrad, gefräst



Part	Article-Nr.	Z	Bore	PD	OD	S
545	54550	9	18*	111,4	110,0	59,3
545	54551		25			
545	54552		30			
545	54553		35			
545	54554		40			
546	54650	10	18*	123,3	122,0	65,25
546	54651		25			
546	54652		30			
546	54653		35			
546	54654		40			
547	54750	11	18*	135,2	135,0	71,2
547	54751		25			
547	54752		30			
547	54753		35			
547	54754		40			
548	54850	12	18*	147,2	147,3	77,2
548	54851		25			
548	54852		30			
548	54853		35			
548	54854		40			

\*Plain Bore



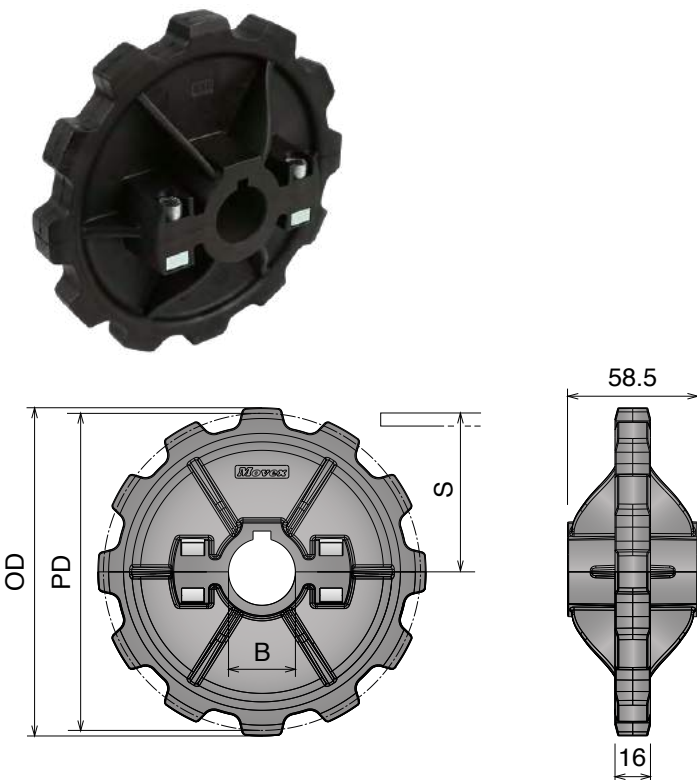
**Materiale / Material / Materialien:**

Poliammide rinforzato/Polyamide reinforced/Verstärktes Polyamid  
 Viti: Acciaio inox/Screws: Stainless steel/Schrauben: Edelstahl  
 Dadi: Ottone nichelato/Nuts: Nickel plated brass/Mutter: Messing

## 880 Ruota traino divisa, stampata

### Split drive sprocket, molded / geteiltes Antriebskettenrad, gespritzt

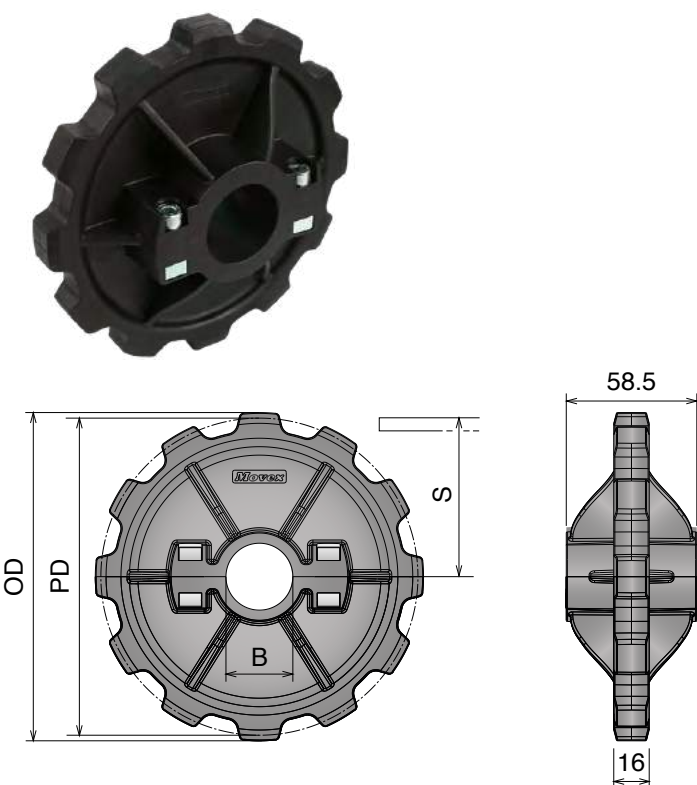
Delivery:	Easy	Standard	Used also for Series 828 - 878 TAB - 879 M - 879 TAB - 888 TAB - 888 TAB GT	Part	Article-Nr.	Z-	Bore	PD	OD	S
				549	54901	10	25	123,3	122,0	65,25
				549	54902		30			
				549	54903		35			
				549	54904		40			
				550	55001	12	25	147,2	147,3	77,2
				550	55002		30			
				550	55003		35			
				550	55004		40			



## Ruota rinvio divisa, stampata

### Split idler sprocket, molded / geteiltes Umlenkrad, gespritzt

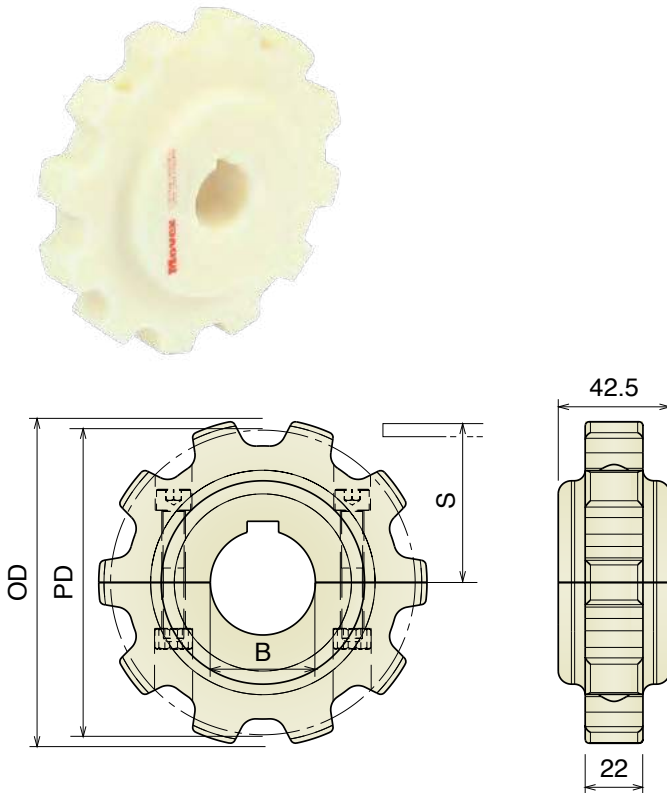
Part	Article-Nr.	Z-	Bore	PD	OD	S
549	54951	10	25	123,3	122,0	65,25
549	54952		30			
549	54953		35			
549	54954		40			
550	55051	12	25	147,2	147,3	77,2
550	55052		30			
550	55053		35			
550	55054		40			



## 882

## Ruota traino divisa, fresata

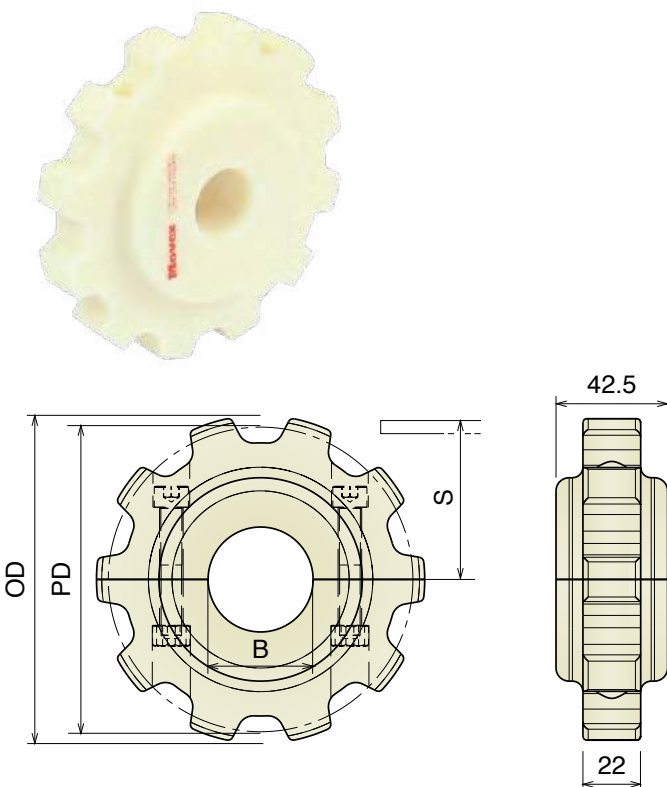
## Split drive sprocket, machined / geteiltes Antriebskettenrad gefräst

Delivery: **Easy** **Standard** Also suitable for Series 8257

Part	Article-Nr.	Z	Bore	PD	OD	S
551	55101	9	25	111,4	112,0	60,5
551	55102		30			
551	55103		35			
551	55104		40			
552	55201	10	25	123,2	125,0	66,4
552	55202		30			
552	55203		35			
552	55204		40			
553	55301	11	25	135,2	137,0	72,4
553	55302		30			
553	55303		35			
553	55304		40			
554	55401	12	25	147,2	149,0	78,4
554	55402		30			
554	55403		35			
554	55404		40			
554	55406		50			

## Ruota rinvio divisa, fresata

## Split idler sprocket, machined / geteiltes Umlenrad, gefräst



Part	Article-Nr.	Z	Bore	PD	OD	S
551	55150	9	18*	111,4	112,0	60,5
551	55151		25			
551	55152		30			
551	55153		35			
551	55154		40			
552	55250	10	18*	123,2	125,0	66,4
552	55251		25			
552	55252		30			
552	55253		35			
552	55254		40			
553	55350	11	18*	135,2	137,0	72,4
553	55351		25			
553	55352		30			
553	55353		35			
553	55354		40			
554	55450	12	18*	147,2	149,0	78,4
554	55451		25			
554	55452		30			
554	55453		35			
554	55454		40			

\*Plain Bore

**Materiale / Material / Materialien:**

Poliamide rinforzato/Polyamide reinforced/Verstärktes Polyamid  
 Viti: Acciaio inox/Screws: Stainless steel/Schrauben: Edelstahl  
 Dadi: Ottone nichelato/Nuts: Nickel plated brass/Mutter: Messing

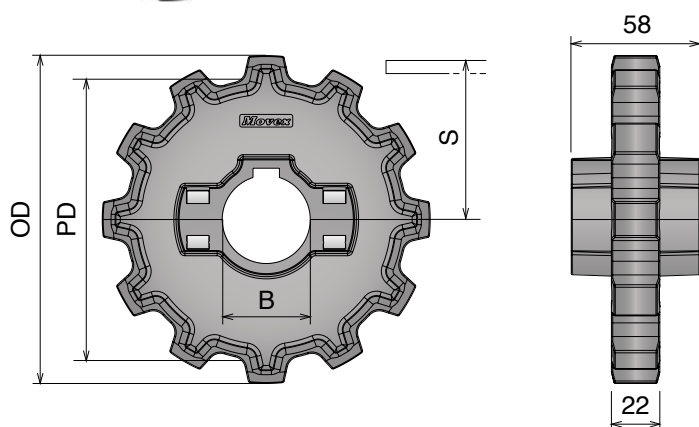
# 882

## Ruota traino divisa, stampata

### Split drive sprocket, molded / geteiltes Antriebskettenrad, gespritzt

Delivery: **Easy** **Standard** Also suitable for Series 8257

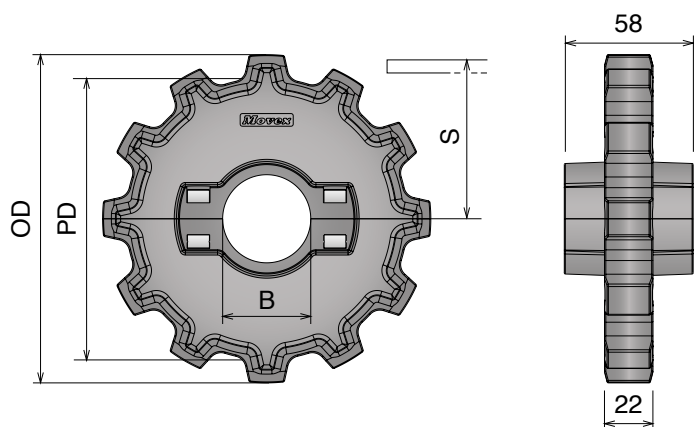
Part	Article-Nr.	Z-	Bore	PD	OD	S
556	55601	12	25	147,2	149,0	78,4
556	55602		30			
556	55603		35			
556	55604		40			



## Ruota rinvio divisa, stampata

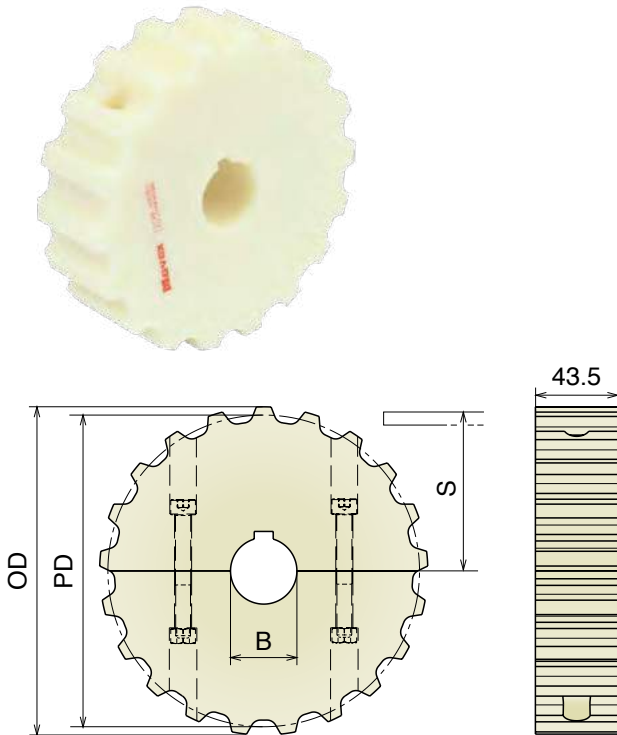
### Split idler sprocket, molded / geteiltes Umlenkrad, gespritzt

Part	Article-Nr.	Z-	Bore	PD	OD	S
556	55651	12	25	147,2	149,0	78,4
556	55652		30			
556	55653		35			
556	55654		40			



## 512 Ruota traino divisa, fresata

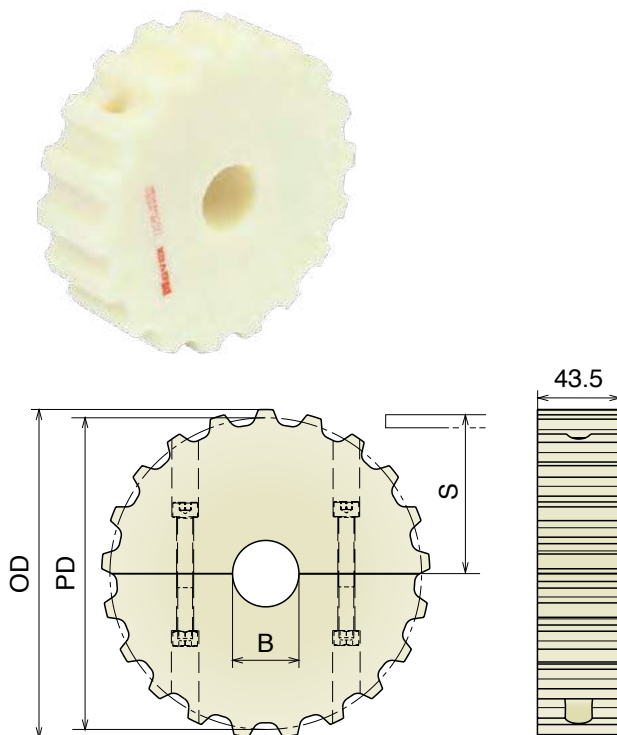
### Split drive sprocket, machined / geteiltes Antriebskettenrad gefräst

Delivery: **Easy** Standard

Part	Article-Nr.	Z	Bore	PD	OD	S
557	55701	13	25	108,0	106,1	57,2
557	55702		30			
557	55703		35			
557	55704		40			
558	55801	15	25	124,0	122,2	65,2
558	55802		30			
558	55803		35			
558	55804		40			
559	55901	17	25	138,2	138,2	72,3
559	55902		30			
559	55903		35			
559	55904		40			
560	56001	18	25	146,3	146,4	76,4
560	56002		30			
560	56003		35			
560	56004		40			
561	56101	19	25	154,3	155,7	80,4
561	56102		30			
561	56103		35			
561	56104		40			
562	56201	21	25	170,4	173,0	88,4
562	56202		30			
562	56203		35			
562	56204		40			
563	56301	23	25	186,5	190,0	96,5
563	56302		30			
563	56303		35			
563	56304		40			
564	56401	25	25	202,7	204,0	104,6
564	56402		30			
564	56403		35			
564	56404		40			

## Ruota rinvio divisa, fresata

### Split idler sprocket, machined / geteiltes Umlenrad, gefräst



Part	Article-Nr.	Z	Bore	PD	OD	S
557	55750	13	18*	108,0	106,1	57,2
557	55751		25			
557	55752		30			
557	55753		35			
557	55754		40			
558	55850	15	18*	124,0	122,2	65,2
558	55851		25			
558	55852		30			
558	55853		35			
558	55854		40			
559	55950	17	18*	138,2	138,2	72,3
559	55951		25			
559	55952		30			
559	55953		35			
559	55954		40			
560	56050	18	18*	146,3	146,4	76,4
560	56051		25			
560	56052		30			
560	56053		35			
560	56054		40			
561	56150	19	18*	154,3	155,7	80,4
561	56151		25			
561	56152		30			
561	56153		35			
561	56154		40			
562	56250	21	18*	170,4	173,0	88,4
562	56251		25			
562	56252		30			
562	56253		35			
562	56254		40			
563	56350	23	18*	186,5	190,0	96,5
563	56351		25			
563	56352		30			
563	56353		35			
563	56354		40			
564	56450	25	18*	202,7	204,0	104,6
564	56451		25			
564	56452		30			
564	56453		35			
564	56454		40			

\*Plain Bore

**Materiale / Material / Materialien:**

Poliammide/Polyamide/Polyamid

Viti: Acciaio inox/Screws: Stainless steel/Schrauben: Edelstahl

Dadi: Ferro zincato/Nuts: Zinc plated steel/Mutter: Verzinkter Stahl

**815-8157**

Ruote dentate per catene / Chain sprockets / Kettenräder für Scharnierbandketten

**815**

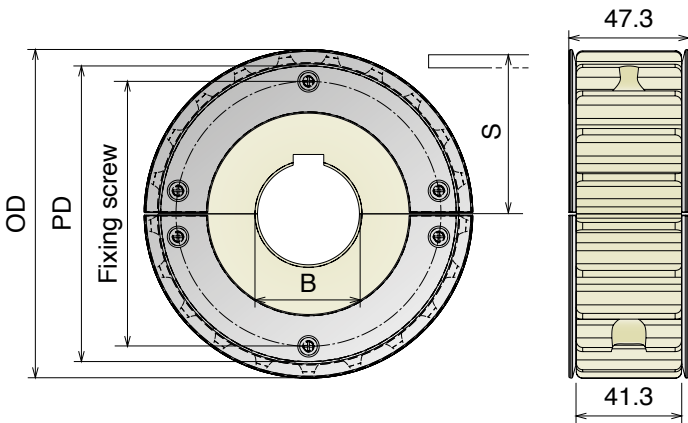
**Ruota flangiata divisa, fresata**

**Split sprocket with guides, machined / Geteiltes Kettenrad mit Bordscheibe, gefräst**

**RANGE EXTENSION**

Delivery: **Easy** **Standard** Anelli Inox / SS Guide-rings / Edelstahl Bordscheibe  
Also suitable for Series 881 M

Part	Article-Nr.	Z-	Bore	PD	OD	S	Ø screw
501	50101G	17	25	105,5	103,9	55,9	80,0
501	50102G		30				
501	50103G		35				
501	50104G		40				
503	50301G	21	25	129,3	129,0	67,8	104,0
503	50302G		30				
503	50303G		35				
503	50304G		40				
504	50401G	23	25	141,2	142,0	73,8	116,0
504	50402G		30				
504	50403G		35				
504	50404G		40				
505	50501G	25	25	153,2	154,0	79,8	128,0
505	50502G		30				
505	50503G		35				
505	50504G		40				



**8157**

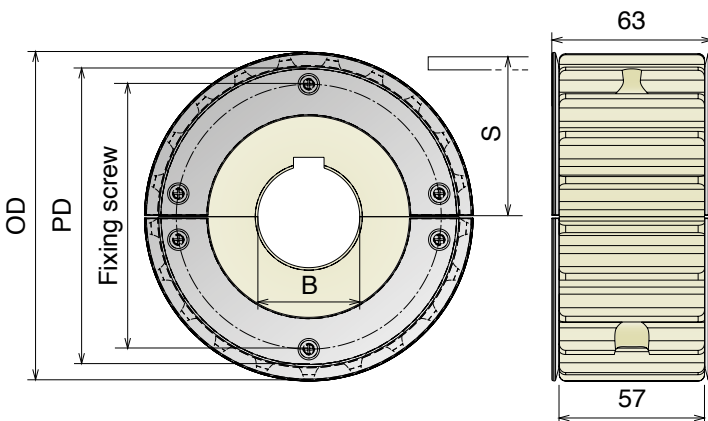
**Ruota flangiata divisa, fresata**

**Split sprocket with guides, machined / Geteiltes Kettenrad mit Bordscheibe, gefräst**

**RANGE EXTENSION**

Anelli Inox / SS Guide-rings / Edelstahl Bordscheibe

Part	Article-Nr.	Z-	Bore	PD	OD	S	Ø screw
528	52801G	17	25	105,5	103,9	55,9	80,0
528	52802G		30				
528	52803G		35				
528	52804G		40				
530	53001G	21	25	129,3	129,0	67,8	104,0
530	53002G		30				
530	53003G		35				
530	53004G		40				
531	53101G	23	25	141,2	142,0	73,8	116,0
531	53102G		30				
531	53103G		35				
531	53104G		40				
532	53201G	25	25	153,2	154,0	79,8	128,0
532	53202G		30				
532	53203G		35				
532	53204G		40				

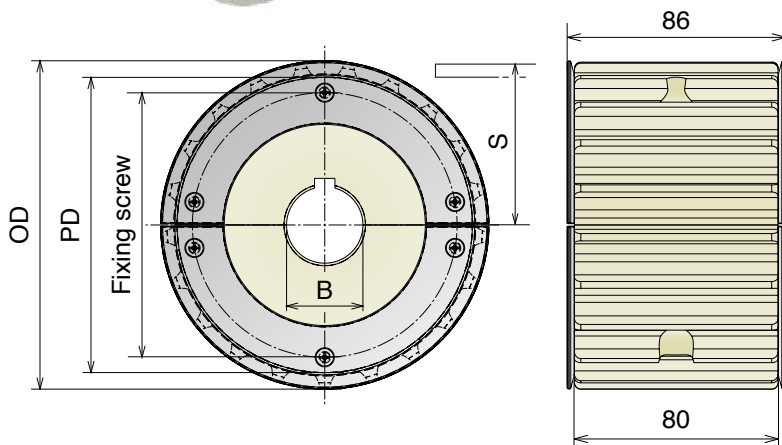


## 805

Ruota flangiata divisa, fresata  
 Split sprocket with guides, machined / Geteiltes Kettenrad mit Bordscheibe, gefräst

**RANGE EXTENSION**

Delivery: **Easy** **Standard** Anelli Inox / SS Guide-rings / Edelstahl Bordscheibe



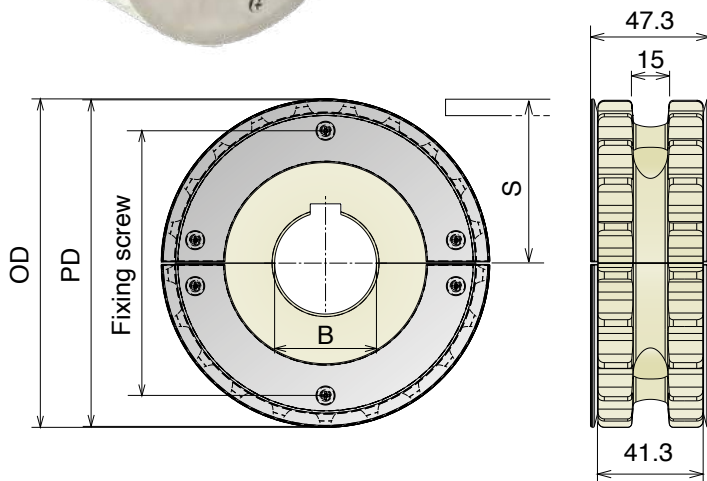
Part	Article-Nr.	Z-	Bore	PD	OD	S	Ø screw
521	52101G	17	25	105,5	103,9	55,9	80,0
521	52102G		30				
521	52103G		35				
521	52104G		40				
523	52301G	21	25	129,3	129,0	67,8	104,0
523	52302G		30				
523	52303G		35				
523	52304G		40				
524	52401G	23	25	141,2	142,0	73,8	116,0
524	52402G		30				
524	52403G		35				
524	52404G		40				
525	52501G	25	25	153,2	154,0	79,8	128,0
525	52502G		30				
525	52503G		35				
525	52504G		40				

## 820

Ruota flangiata divisa, fresata  
 Split sprocket with guides, machined / Geteiltes Kettenrad mit Bordscheibe, gefräst

**RANGE EXTENSION**

Anelli Inox / SS Guide-rings / Edelstahl Bordscheibe



Part	Article-Nr.	Z-	Bore	PD	OD	S	Ø screw
535	53501G	17	25	105,5	103,9	55,9	80,0
535	53502G		30				
535	53503G		35				
535	53504G		40				
537	53701G	21	25	129,3	129,0	67,8	104,0
537	53702G		30				
537	53703G		35				
537	53704G		40				
538	53801G	23	25	141,2	142,0	73,8	116,0
538	53802G		30				
538	53803G		35				
538	53804G		40				
539	53901G	25	25	153,2	154,0	79,8	128,0
539	53902G		30				
539	53903G		35				
539	53904G		40				

**Materiale / Material / Materialien:**

Poliamide/Polyamide/Polyamid

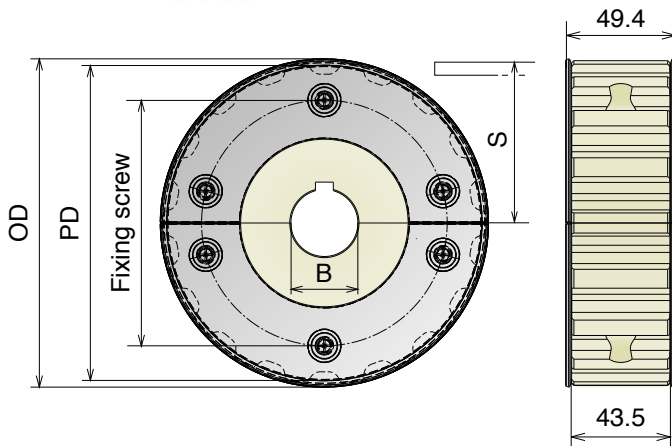
Viti: Acciaio inox/Screws: Stainless steel/Schrauben: Edelstahl

Dadi: Ferro zincato/Nuts: Zinc plated steel/Mutter: Verzinkter Stahl

**512****Ruota flangiata divisa, fresata****Split sprocket with guides, machined / Geteiltes Kettenrad mit Bordscheibe, gefräst**

Anelli Inox / SS Guide-rings / Edelstahl Bordscheibe

Part	Article-Nr.	Z-	Bore	PD	OD	S	Ø screw
576	<b>57601G</b>	18	25	146,3	147,0	76,4	110,0
576	<b>57602G</b>		30				
576	<b>57603G</b>		35				
576	<b>57604G</b>		40				



# 815 MINI

Ruote dentate per catene / Chain sprockets / Kettenräder für Scharnierbandketten

Materiali / Material / Materialien:

Poliammide / Polyamide / Polyamid

Viti: Acciaio inox / Screws: Stainless steel / Schrauben: Edelstahl

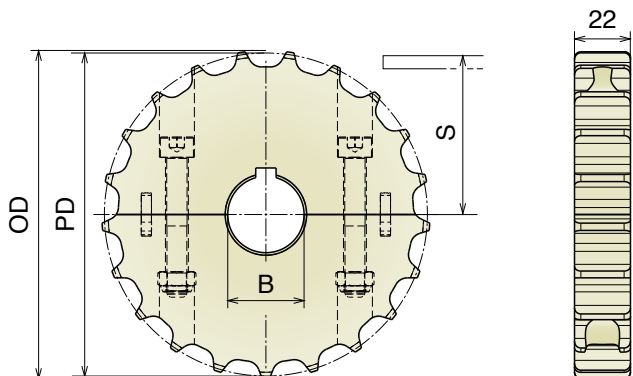
Dadi: Ferro zincato / Nuts: Zinc plated steel / Mutter: Verzinkter Stahl

## 815 MINI

Ruota traino divisa, fresata

Split drive sprocket, machined / geteiltes Antriebskettenrad gefräst

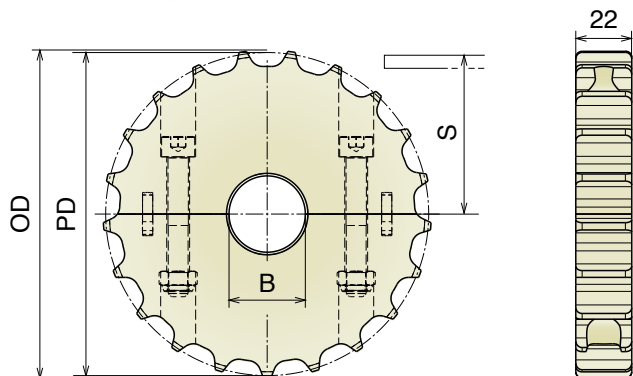
Delivery: **Easy** Standard



Part	Article-Nr.	Z	Bore	PD	OD	S
580	58001	19	25	117,3	117,0	61,9
580	58002		30			
580	58003		35			
580	58004		40			
581	58101	21	25	129,3	129,0	67,8
581	58102		30			
581	58103		35			
581	58104		40			
582	58201	23	25	141,2	142,0	73,8
582	58202		30			
582	58203		35			
582	58204		40			
583	58301	25	25	153,2	154,0	79,8
583	58302		30			
583	58303		35			
583	58304		40			

Ruota rinvio divisa, fresata

Split idler sprocket, machined / geteiltes Umlenrad, gefräst



Part	Article-Nr.	Z	Bore	PD	OD	S
580	58050	19	18*	117,3	117,0	61,9
580	58051		25			
580	58052		30			
580	58053		35			
580	58054		40			
581	58150	21	18*	129,3	129,0	67,8
581	58151		25			
581	58152		30			
581	58153		35			
581	58154		40			
582	58250	23	18*	141,2	142,0	73,8
582	58251		25			
582	58252		30			
582	58253		35			
582	58254		40			
583	58350	25	18*	153,2	154,0	79,8
583	58351		25			
583	58352		30			
583	58353		35			
583	58354		40			

\*Plain Bore



**Materiale / Material / Materialien:**

Poliamide/Polyamide/Polyamid

Viti: Acciaio inox/Screws: Stainless steel/Schrauben: Edelstahl

Dadi: Ferro zincato/Nuts: Zinc plated steel/Mutter: Verzinkter Stahl

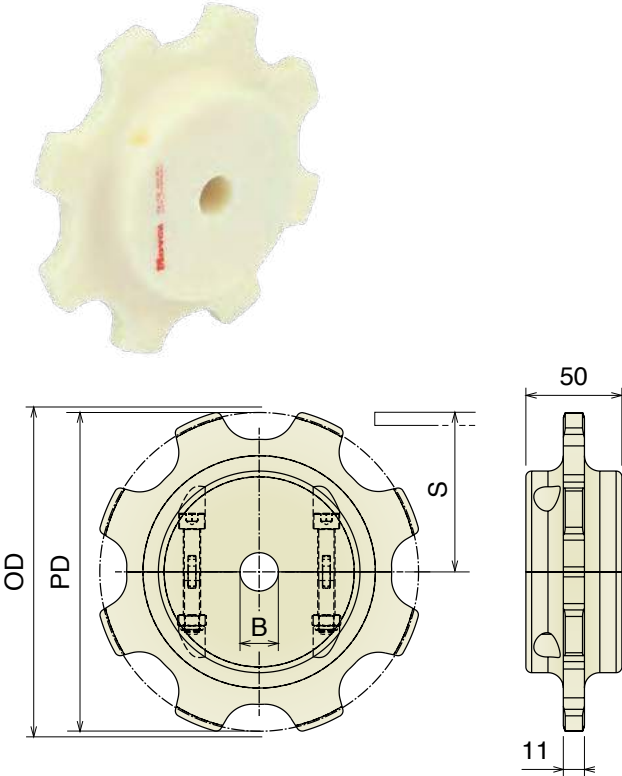
## CC 600

**Ruota rinvio divisa, fresata**  
**Split idler sprocket, machined / geteiltes Umlenkrad, gefräst**

For adequate quantities these sprockets can be delivered with finished bore.

Part	Article-Nr.	Z-	Bore	PD	OD	S
565	56550	8	20	166,0	172,0	70,0
566	56650	10	20	205,0	215,0	89,5
567	56750	12	20	246,0	256,0	110,0
568	56850	14	20	286,0	297,0	130,0

Other bores available on request



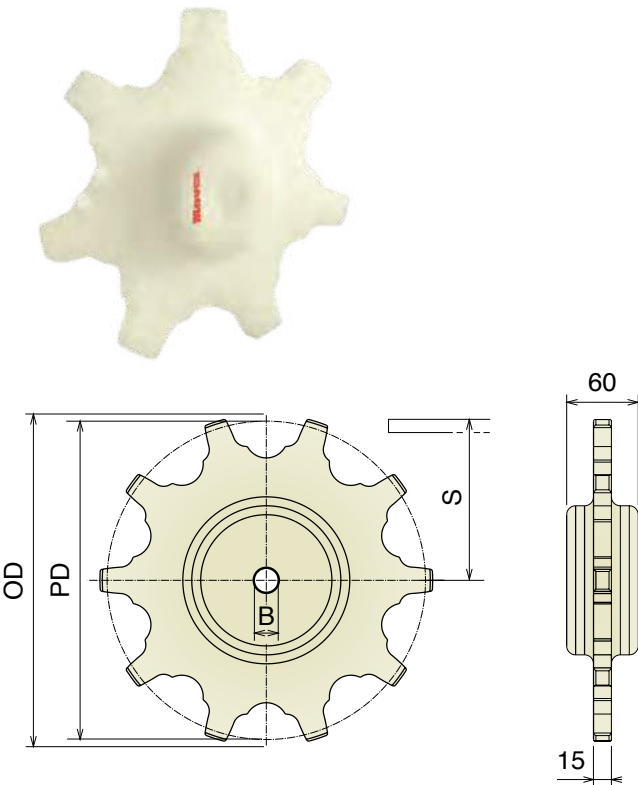
## CC 1400

**Ruota rinvio, fresata**  
**Idler sprocket, machined / Umlenkrad, gefräst**

For adequate quantities these sprockets can be delivered with finished bore.

Part	Article-Nr.	Z-	Bore	PD	OD	S
570	57050E	7	20	190,0	202,0	78,0
571	57150E	8	20	218,0	227,6	92,0
572	57250E	10	20	267,0	279,0	116,0

Other bores available on request



# 1701-1706-765 NO GAP

Ruote dentate per catene / Chain sprockets / Kettenräder für Scharnierbandketten

• Materiale / Material / Materialien:

Poliammide/Polyamide/Polyamid

Viti: Acciaio inox/Screws: Stainless steel/Schrauben: Edelstahl

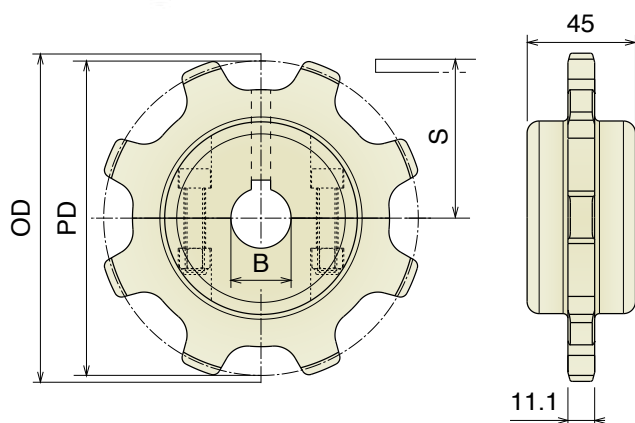
Dadi: Ferro zincato/Nuts: Zinc plated steel/Mutter: Verzinkter Stahl

## 1701-1706-765 NO GAP

Ruota traino divisa, fresata

Split drive sprocket, machined / geteiltes Antriebskettenrad gefräst

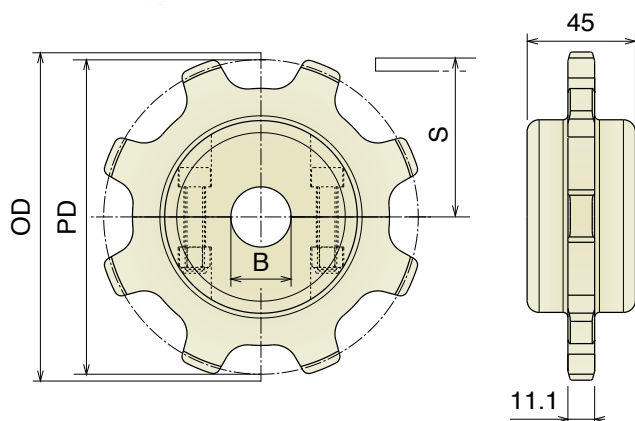
Delivery: **Easy** Standard



Part	Article-Nr.	Z	Bore	PD	OD	S
573	57301	8	25	130,7	132,75	53,0
573	57302		30			
573	57303		35			
573	57304		40			
574	57401	10	25	161,8	165,1	69,0
574	57402		30			
574	57403		35			
574	57404		40			
575	57501	13	25	208,9	215,0	93,5
575	57502		30			
575	57503		35			
575	57504		40			

Ruota rinvio divisa, fresata

Split idler sprocket, machined / geteiltes Umlenrad, gefräst



Part	Article-Nr.	Z	Bore	PD	OD	S
573	57350	8	18*	130,7	132,75	53,0
573	57351		25			
573	57352		30			
573	57353		35			
573	57354		40			
574	57450	10	18*	161,8	165,1	69,0
574	57451		25			
574	57452		30			
574	57453		35			
574	57454		40			
575	57550	13	18*	208,9	215,0	93,5
575	57551		25			
575	57552		30			
575	57553		35			
575	57554		40			

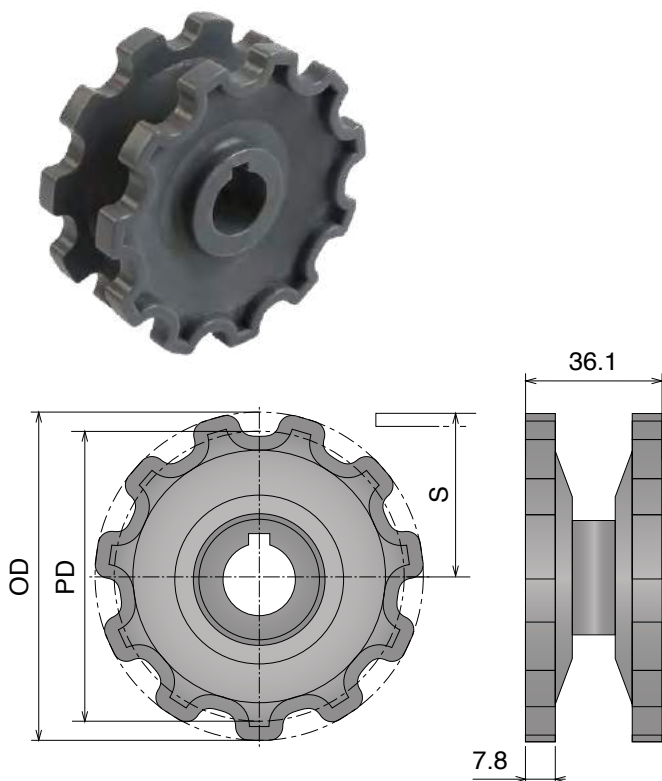
\*Plain Bore

## 43 MF-63 MF

Ruota traino, stampata  
 Drive sprocket, molded / Antriebskettenrad, gespritzt

Delivery: **Easy** Standard

Part	Article-Nr.	Z-	Bore	PD	OD	S
586	58600	11	20	90,2	94,5	56,5

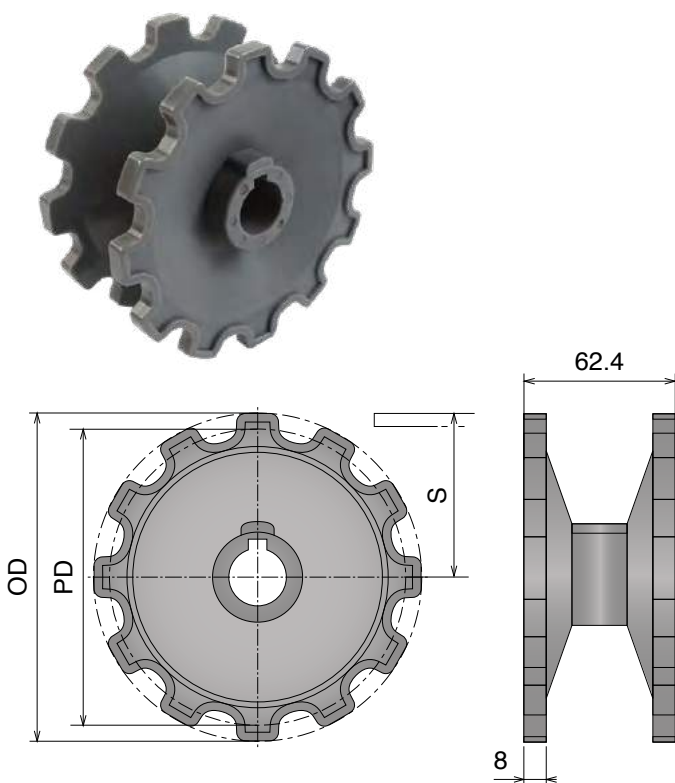


## 103 MF

Ruota traino, stampata  
 Drive sprocket, molded / Antriebskettenrad, gespritzt

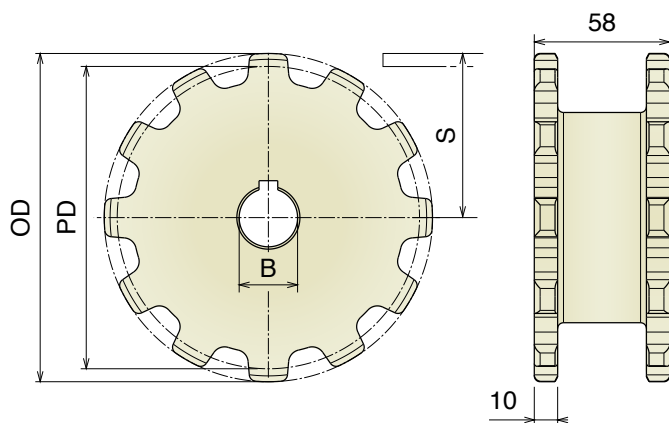
Delivery: **Easy** Standard

Part	Article-Nr.	Z-	Bore	PD	OD	OD
587	58701	12	25	129,4	144,5	82,5



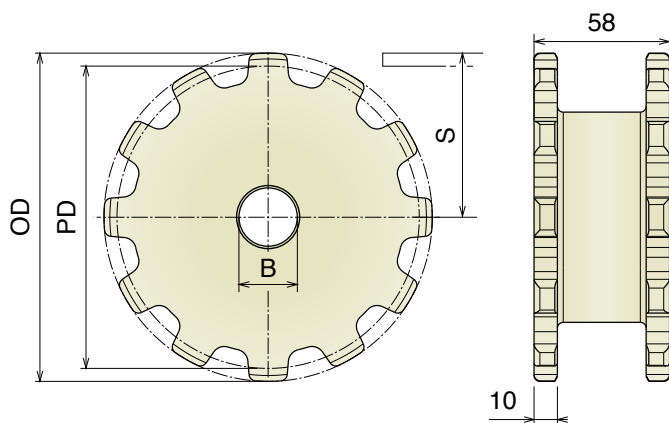
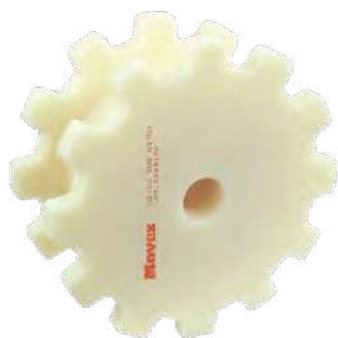
## 83 MF

Ruota traino, fresata  
Drive sprocket, machined / Antriebskettenrad gefräst



Part	Article-Nr.	Z-	Bore	PD	OD	S
589	58901	9	25	97,9	108,5	62,0
589	58902		30			
589	58903		35			
589	58904		40			
588	58801	12	25	129,4	140,0	77,7
588	58802		30			
588	58803		35			
588	58804		40			

Ruota rinvio, fresata  
Idler sprocket, machined / Umlenkrad, gefräst



Part	Article-Nr.	Z-	Bore	PD	OD	S
589	58950	9	18*	97,9	108,5	62,0
589	58951		25			
589	58952		30			
589	58953		35			
589	58954		40			
588	58850	12	18*	129,4	140,0	77,7
588	58851		25			
588	58852		30			
588	58853		35			
588	58854		40			

\*Plain Bore

**Materiale / Material / Materialien:**

Poliamide/Polyamide/Polyamid

Viti: Acciaio inox/Screws: Stainless steel/Schrauben: Edelstahl

Dadi: Ferro zincato/Nuts: Zinc plated steel/Mutter: Verzinkter Stahl

# 83 M-140 M

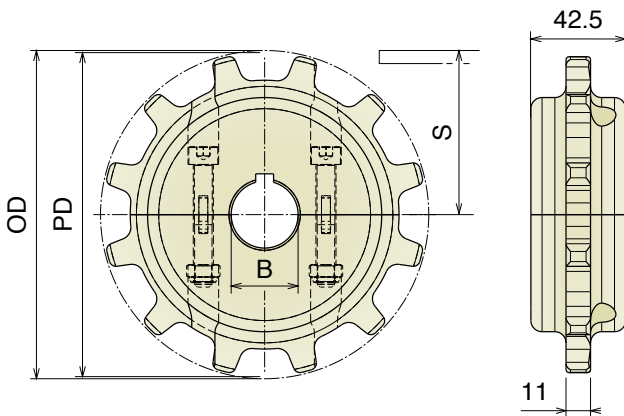
Ruote dentate per catene / Chain sprockets / Kettenräder für Scharnierbandketten

## 83 M-140 M

Ruota traino divisa, fresata

Split drive sprocket, machined / geteiltes Antriebskettenrad gefräst

Part	Article-Nr.	Z-	Bore	PD	OD	S
590	59001	9	25	111,4	108,0	68,5
590	59002		30			
590	59003		35			
590	59004		40			
591	59101	12	25	147,2	145,3	86
591	59102		30			
591	59103		35			
591	59104		40			

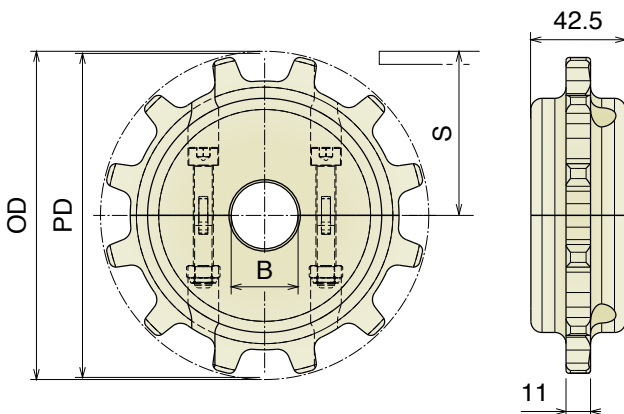


Ruota rinvio divisa, fresata

Split idler sprocket, machined / geteiltes Umlenrad, gefräst

Part	Article-Nr.	Z-	Bore	PD	OD	S
590	59050	9	18*	111,4	108,0	68,5
590	59051		25			
590	59052		30			
590	59053		35			
590	59054		40			
591	59150	12	18*	147,2	145,3	86
591	59151		25			
591	59152		30			
591	59153		35			
591	59154		40			

\*Plain Bore



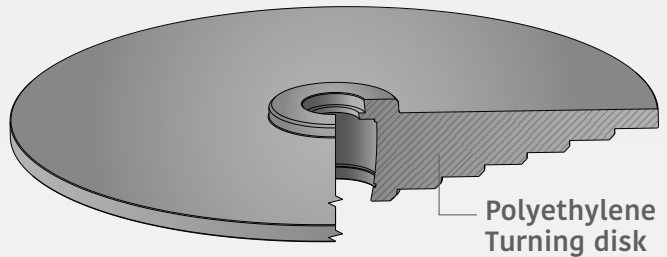
## Turning disks

**RANGE EXTENSION**

The use of drive disks, idler disks and turnings disks enables the design of the conveyor to be realized with many curves, greatly reducing the PV and guaranteeing exceeding performances compared to traditional system.

Thanks to our machined versions, superior tolerances and planarity are provided; it will then become easier to realize longer conveyors either at the same level or staggered, inclined or declined.

 — Oil seal




Polyethylene Turning disk

 — Bearing

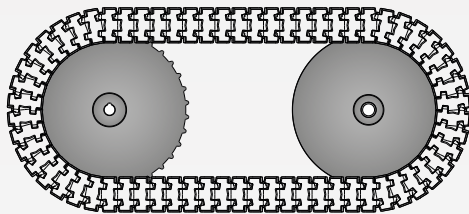
 — PVC-Spacer

 — Bearing

 — Seeger

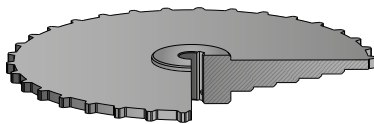
 — Oil seal

### DRIVE DISK

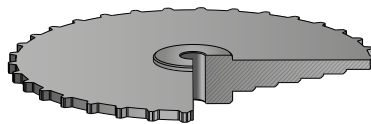


TURNING DISK

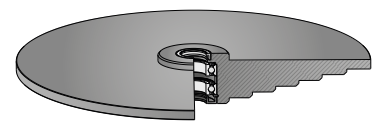
### TYPES AVAILABLE



DRIVE DISK



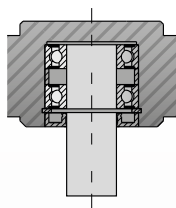
IDLER DISK



TURNING DISK

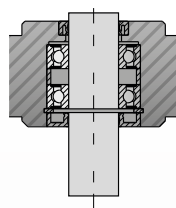
### POSSIBLE APPLICATIONS

MACHINED DISK  
OPTION A



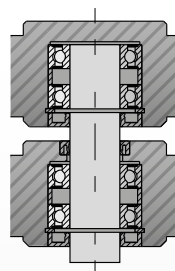
CLOSED VERSION

MACHINED DISK  
OPTION B



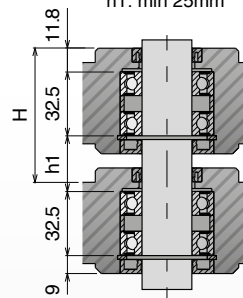
OPEN VERSION

MACHINED DISK  
OPTION C



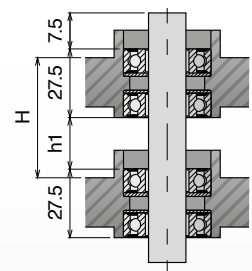
CLOSED VERSION  
+ OPEN VERSION

MACHINED DISK  
OPTION D  
h1: min 25mm



OPEN VERSION  
+ OPEN VERSION

MOLDED DISK  
OPTION A  
h1: min 25mm



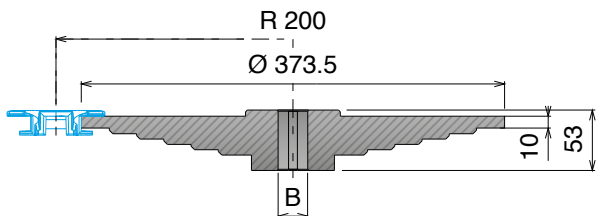
OPEN VERSION  
+ OPEN VERSION

For a correct installation of the shaft and the position of the circlips, please contact your sales representative.

## NEW 878 TAB Ruota tangenziale Tangential sprockets / Tangentiale kettenräder

Suitable for 878 TAB | Drive disk with grub screws included

### Drive disk, machined

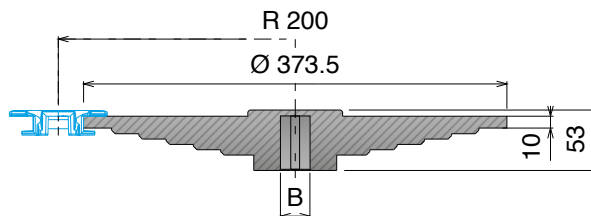


#### OPEN VERSION



ROUNDBORE  
 WITH KEYWAY

Article-Nr.	Z-	Bore
59300	34	20
59301		25
59302		30
59303		35
59304		40



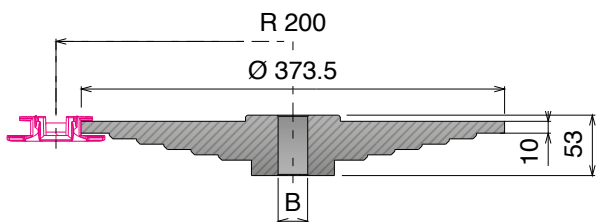
#### CLOSED VERSION



ROUNDBORE  
 WITH KEYWAY

Article-Nr.	Z-	Bore
59300C	34	20
59301C		25
59302C		30
59303C		35
59304C		40

### Idler disk, machined

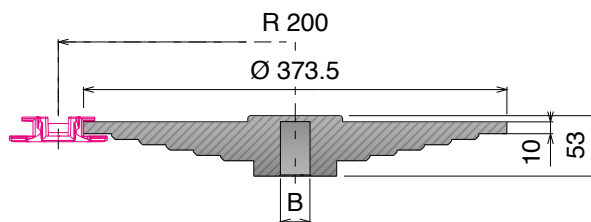


#### OPEN VERSION



ROUNDBORE

Article-Nr.	Z-	Bore
59361	34	20
59362		25
59363		30
59364		35
59365		40



#### CLOSED VERSION



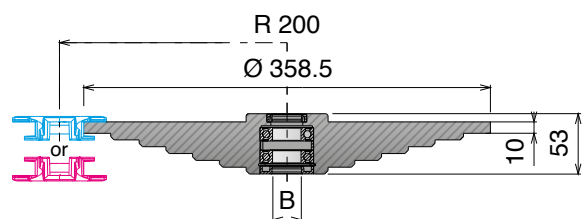
ROUNDBORE

Article-Nr.	Z-	Bore
59371C	34	20
59372C		25
59373C		30
59374C		35
59375C		40

## NEW 878 TAB Disco di ritorno Turning disk / Umlenkscheibe

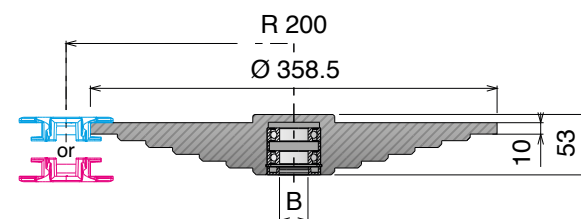
Suitable for 878 TAB | Bearings and oils seal included

### Turning disk, machined - Carry and return side



OPEN VERSION  
 ROUNDBORE

Article-Nr.	Bore
593510	25



CLOSED VERSION  
 ROUNDBORE

Article-Nr.	Bore
59351C	25

# Turning disks

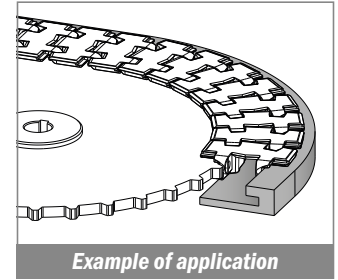
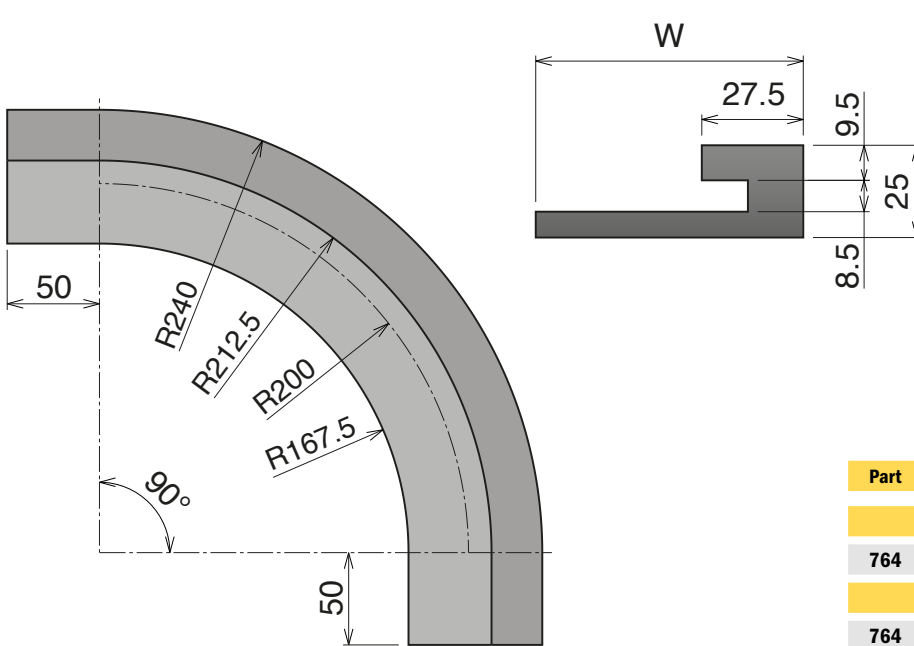
Disco di ritorno / Turning disk / Umlenkscheibe

Materiale / Material / Materialien:  
 Polietilene UHMW-PE  
 Polyethylene UHMW-PE  
 Polyäthylen UHMW-PE

## NEW 878 TAB Curves

Specific for drive, idler and turning disk applications

Chain Reference 878 TAB - K325/K450



### TAB SYSTEM

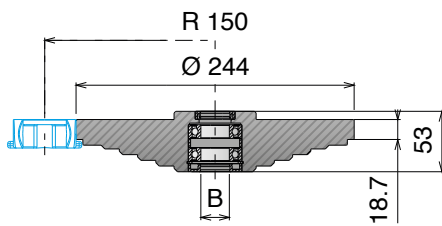
Part	$\alpha$ 90°	$\alpha$ 180°	Tracks	W
<b>K325</b>				
764	76411072	76421072	1	72,5
<b>K450</b>				
764	76411087	76421087	1	87,5

## NEW 1701 TAB OP-1701 TAB OPF

Disco di ritorno  
 Turning disk / Umlenkscheibe

Suitable for 1701 TAB OP - 1701 TAB OPF | Bearings and oils seal included

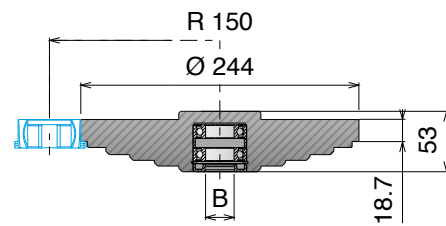
Turning disk, machined - Carry side



**OPEN VERSION**  
 ROUND BORE

Article-Nr. Bore

594010 25

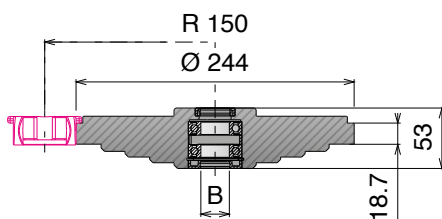


**CLOSED VERSION**  
 ROUND BORE

Article-Nr. Bore

59401C 25

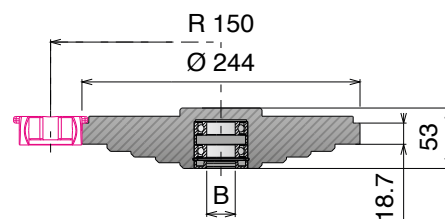
Turning disk, machined - Return side



**OPEN VERSION**  
 ROUND BORE

Article-Nr. Bore

594210 25



**CLOSED VERSION**  
 ROUND BORE

Article-Nr. Bore

59421C 25



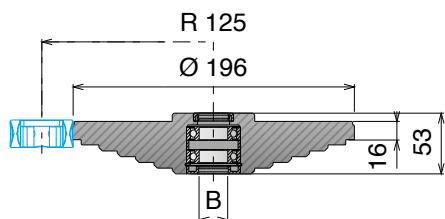
**Materiale / Material / Materialien:**  
 Polietilene UHMW-PE  
 Polyethylene UHMW-PE  
 Polyäthylen UHMW-PE

## NEW 1706-1706 TAB-765 NO GAP

Disco di ritorno  
 Turning disk / Umlenkscheibe

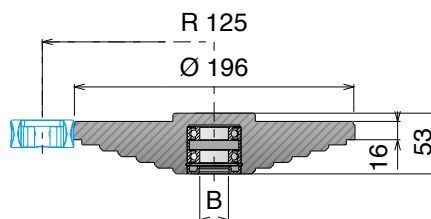
Suitable for 1706 - 1706 TAB - 765 NO GAP | Bearings and oils seal included

### Turning disk, machined - Carry side



**OPEN VERSION**  
 ROUND BORE

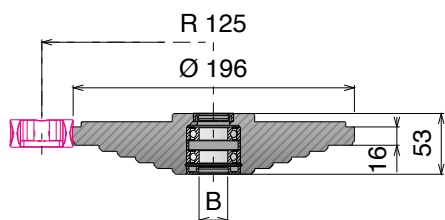
Article-Nr.	Bore
595010	25



**CLOSED VERSION**  
 ROUND BORE

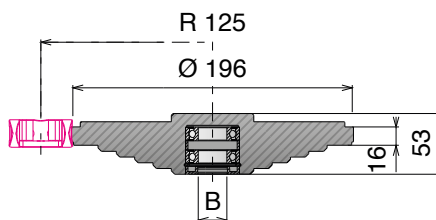
Article-Nr.	Bore
59501C	25

### Turning disk, machined - Return side



**OPEN VERSION**  
 ROUND BORE

Article-Nr.	Bore
595210	25



**CLOSED VERSION**  
 ROUND BORE

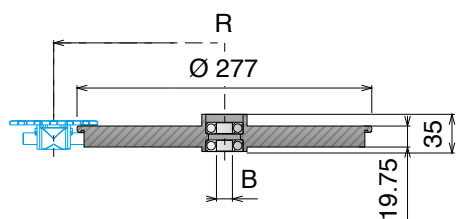
Article-Nr.	Bore
59521C	25

## NEW 43 MF-63 MF-83 MF-103 MF

Disco di ritorno  
 Turning disk / Umlenkscheibe

Suitable for 43 MF - 63 MF - 83 MF - 103 MF | Bearings included

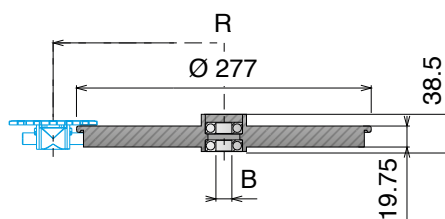
### Drive turning disk, molded - Carry side



**OPEN VERSION**  
 ROUND BORE

Article-Nr.	Bore
170000	15

R: 43 MF-63 MF 150 83 MF 160 103 MF 170



**CLOSED VERSION**  
 ROUND BORE

Article-Nr.	Bore
170000C	15

R: 43 MF-63 MF 150 83 MF 160 103 MF 170

# Turning disks

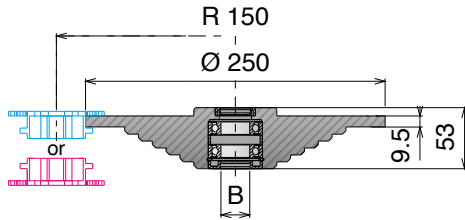
Disco di ritorno / Turning disk / Umlenkscheibe

Materiale / Material / Materialien:  
 Polietilene UHMW-PE  
 Polyethylene UHMW-PE  
 Polyäthylen UHMW-PE

## NEW 83 M Disco di ritorno Turning disk / Umlenkscheibe

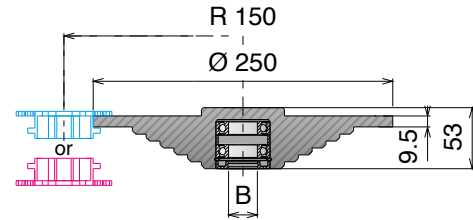
Suitable for 83 M | Bearing and screws included

### Turning disk, machined - Carry and return side



**OPEN VERSION**  
 ROUND BORE

Article-Nr.	Bore
596010	25



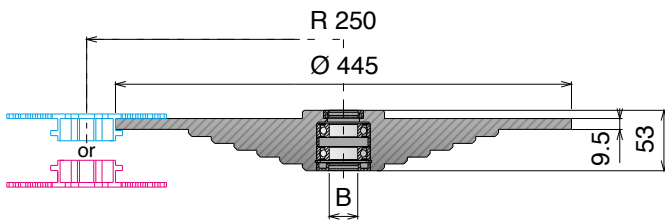
**CLOSED VERSION**  
 ROUND BORE

Article-Nr.	Bore
59601C	25

## NEW 140 M Disco di ritorno Turning disk / Umlenkscheibe

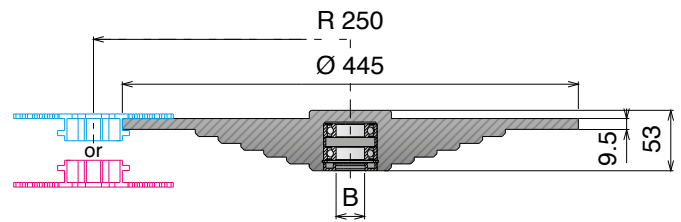
Suitable for 140 M | Bearing and screws included

### Turning disk, machined - Carry and return side



**OPEN VERSION**  
 ROUND BORE

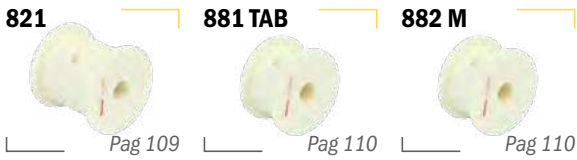
Article-Nr.	Bore
596210	25



**CLOSED VERSION**  
 ROUND BORE

Article-Nr.	Bore
59621C	25

For bore tolerance refers to Movex engineering manual available on our website.



# Chain idler wheels

Material Info:



pg. 666

**Materiale / Material / Materialien:**

Poliammide/Polyamide/Polyamid

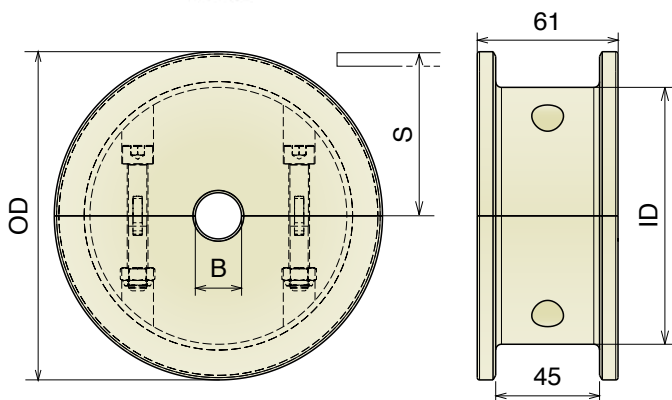
Viti: Acciaio inox/Screws: Stainless steel/Schrauben: Edelstahl

Dadi: ferro zincato/Nuts: zinc plated steel/Mutter: verzinkter Stahl

Dadi: ottone nichelato per stampate/Nuts: nickel plated brass for molded/Mutter: Messing vernickelt für gespritzt Version

## 815 Ruota rinvio liscia, divisa, fresata Split idler wheel, machined / geteilte Umlenkrolle, gefräst

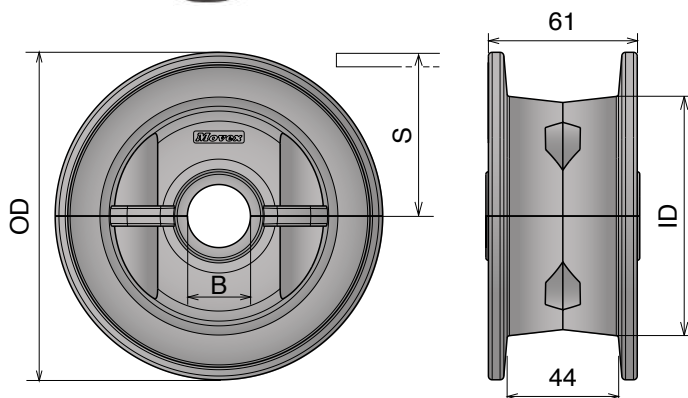
Delivery: **Easy** **Standard** Also suitable for Series 881 M - 820 - 831 - 828 - 879 M - 880 - 880 M



Part	Article-Nr.	ecq. Z.	Bore	OD	ID	S
601	60100	17	20	104,0	75,2	56,2
601	60101		25			
601	60102		30			
601	60103		35			
601	60104		40			
602	60200	19	20	117,0	92,2	62,6
602	60201		25			
602	60202		30			
602	60203		35			
602	60204		40			
603	60300	21	20	129,8	105,0	68,6
603	60301		25			
603	60302		30			
603	60303		35			
603	60304		40			
604	60400	23	20	142,2	111,3	74,6
604	60401		25			
604	60402		30			
604	60403		35			
604	60404		40			
605	60500	25	20	154,7	124,7	80,5
605	60501		25			
605	60502		30			
605	60503		35			
605	60504		40			
606	60600	27	20	167,2	135,0	88,5
606	60601		25			
606	60602		30			
606	60603		35			
606	60604		40			
607	60700	29	20	179,3	140,0	92,8
607	60701		25			
607	60702		30			
607	60703		35			
607	60704		40			

## 815 Ruota rinvio liscia, divisa, stampata Split idler wheel, molded / geteilte Umlenkrolle, gespritzt

Delivery: **Easy** **Standard** Also suitable for Series 881 M - 820 - 831 - 828 - 879 M - 880 - 880 M



Part	Article-Nr.	ecq. Z.	Bore	OD	ID	S
608	60801	21	25	129,8	94,8	68,6
608	60802		30			
608	60803		35			
608	60804		40			
609	60901	23	25	142,2	99,3	74,6
609	60902		30			
609	60903		35			
609	60904		40			
610	61001	25	25	154,7	102,0	80,5
610	61002		30			
610	61003		35			
610	61004		40			

**Materiale / Material / Materialien:**

Poliamide/Polyamide/Polyamid

Viti: Acciaio inox/Screws: Stainless steel/Schrauben: Edelstahl

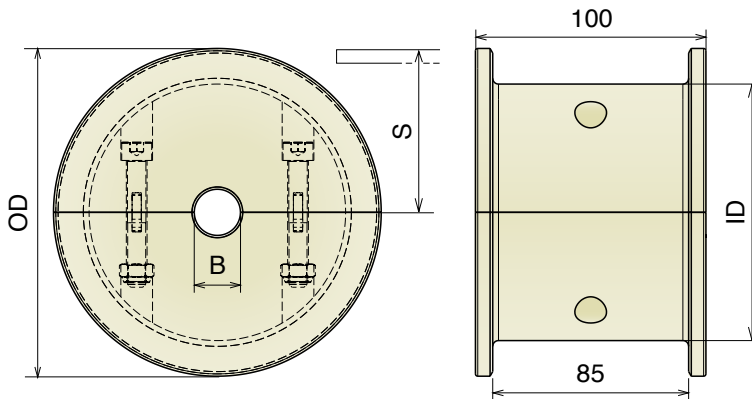
Dadi: ferro zincato/Nuts: zinc plated steel/Mutter: verzinkter Stahl

**805-821**

Ruote folli per catene / Chain idler wheels / Umlenkrollen für Scharnierbandketten

**805** Ruota rinvio liscia, divisa, fresata  
Split idler wheel, machined / geteilte Umlenkrolle, gefräst

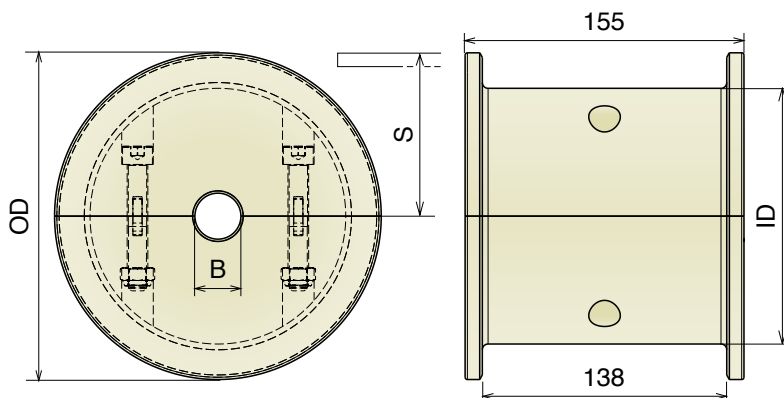
Delivery: **Easy** Standard



Part	Article-Nr.	ecq. Z.	Bore	OD	ID	S
611	61100	17	20	104,0	75,2	56,2
611	61101		25			
611	61102		30			
611	61103		35			
611	61104		40			
612	61200	19	20	117,0	92,2	62,6
612	61201		25			
612	61202		30			
612	61203		35			
612	61204		40			
613	61300	21	20	129,8	105,0	68,6
613	61301		25			
613	61302		30			
613	61303		35			
613	61304		40			
614	61400	23	20	142,2	111,3	74,6
614	61401		25			
614	61402		30			
614	61403		35			
614	61404		40			
615	61500	25	20	154,7	124,7	80,5
615	61501		25			
615	61502		30			
615	61503		35			
615	61504		40			
616	61600	27	20	167,2	135,0	88,5
616	61601		25			
616	61602		30			
616	61603		35			
616	61604		40			
617	61700	29	20	179,3	140,0	92,8
617	61701		25			
617	61702		30			
617	61703		35			
617	61704		40			

**821** Ruota rinvio liscia, divisa, fresata  
Split idler wheel, machined / geteilte Umlenkrolle, gefräst

Delivery: **Easy** Standard



Part	Article-Nr.	ecq. Z.	Bore	OD	ID	S
625	62500	19	20	117,0	92,2	62,6
625	62501		25			
625	62502		30			
625	62503		35			
625	62504		40			
626	62600	21	20	129,8	105,0	68,6
626	62601		25			
626	62602		30			
626	62603		35			
626	62604		40			
627	62700	23	20	142,2	111,3	74,6
627	62701		25			
627	62702		30			
627	62703		35			
627	62704		40			
628	62800	25	20	154,7	124,7	80,5
628	62801		25			
628	62802		30			
628	62803		35			
628	62804		40			

# 881 TAB-882 M

Ruote folli per catene / Chain idler wheels / Umlenkrollen für Scharnierbandketten

Materiali / Material / Materialien:

Poliammide/Polyamide/Polyamid

Viti: Acciaio inox/Screws: Stainless steel/Schrauben: Edelstahl

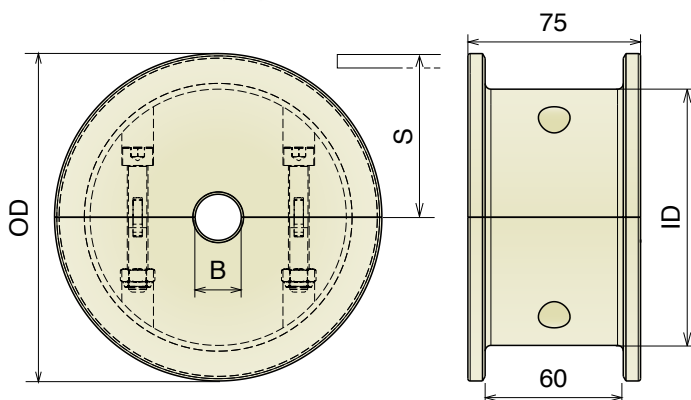
Dadi: ferro zincato/Nuts: zinc plated steel/Mutter: verzinkter Stahl

## 881 TAB

Ruota rinvio liscia, divisa, fresata

Split idler wheel, machined / geteilte Umlenkrolle, gefräst

Delivery: **Easy** **Standard**



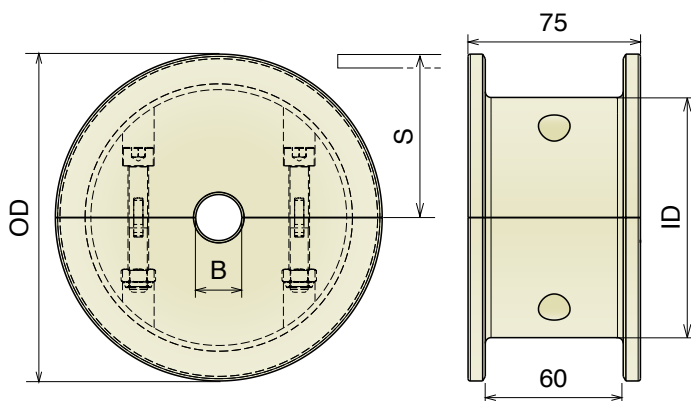
Part	Article-Nr.	ecq. Z.	Bore	OD	ID	S
618	61800	17	20	104,0	66,0	56,2
618	61801		25			
618	61802		30			
618	61803		35			
618	61804		40			
619	61900	19	20	117,0	75,0	62,6
619	61901		25			
619	61902		30			
619	61903		35			
619	61904		40			
620	62000	21	20	129,8	95,0	68,6
620	62001		25			
620	62002		30			
620	62003		35			
620	62004		40			
621	62100	23	20	142,2	108,0	74,6
621	62101		25			
621	62102		30			
621	62103		35			
621	62104		40			
622	62200	25	20	154,7	112,0	80,5
622	62201		25			
622	62202		30			
622	62203		35			
622	62204		40			
623	62300	27	20	167,2	120,0	88,5
623	62301		25			
623	62302		30			
623	62303		35			
623	62304		40			
624	62400	29	20	179,3	130,0	92,8
624	62401		25			
624	62402		30			
624	62403		35			
624	62404		40			

## 882 M

Ruota rinvio liscia, divisa, fresata

Split idler wheel, machined / geteilte Umlenkrolle, gefräst

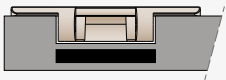
Delivery: **Easy** **Standard** Also suitable for Series 8157 - 8257 - 8857 M - 8857 M GT



Part	Article-Nr.	ecq. Z.	Bore	OD	ID	S
629	62900	17	20	104,0	75,2	56,2
629	62901		25			
629	62902		30			
629	62903		35			
629	62904		40			
630	63000	19	20	117,0	92,2	62,6
630	63001		25			
630	63002		30			
630	63003		35			
630	63004		40			
631	63100	21	20	129,8	105,0	68,6
631	63101		25			
631	63102		30			
631	63103		35			
631	63104		40			
632	63200	23	20	142,2	111,3	74,6
632	63201		25			
632	63202		30			
632	63203		35			
632	63204		40			
633	63300	25	20	154,7	124,7	80,5
633	63301		25			
633	63302		30			
633	63303		35			
633	63304		40			
634	63400	27	20	167,2	135,0	88,5
634	63401		25			
634	63402		30			
634	63403		35			
634	63404		40			
635	63500	29	20	179,3	140,0	92,8
635	63501		25			
635	63502		30			
635	63503		35			
635	63504		40			

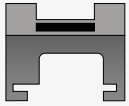
# Movex® Corner tracks

MAGNETIC, TAB and BEVEL



## Magnetic

The magnetic corner track is the most effective and reliable system for the table top conveyor design.

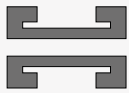


The magnets are carefully selected and positioned to provide the correct magnetic field to hold the chain on the corner track and this provides a flat carrying surface for the chain; thus, improving product stability and support for the product.

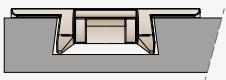


## TAB

TAB type corner tracks are a more economical solution compared to magnetic curves.

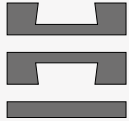


In those applications where cleaning and product support are less important, they can perfectly be used.



## Bevel

Bevel corner tracks are another alternative to magnetic and TAB corner track solutions.



Compared with TAB system it is more accessible but an additional support in the return is required.



## Standard

UHMW-PE

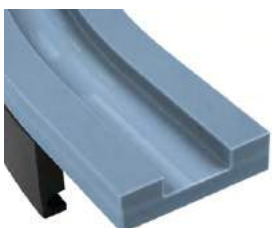
e.g. lubricated steel & plastic chains and belts



## C Abrasive

CONDITIONS

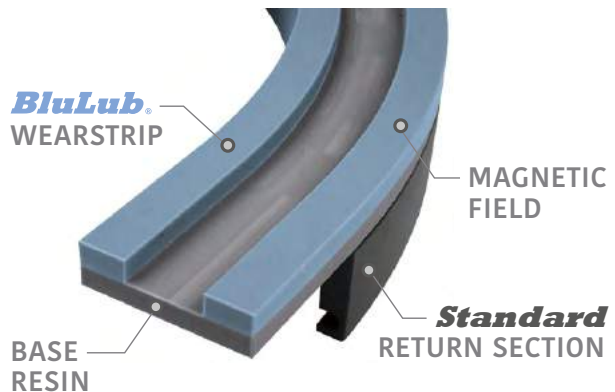
e.g. Dry running steel chains or polluted circumstances



## BluLub®

HIGH PERFORMANCE

e.g. Dry running plastic chains and belts & high speed application



## RS® Curves

SPECIFIC FOR HIGH LOAD APPLICATIONS

**RS** magnetic curves are designed to offer better conveyor performance.

**RS** curves equipped with **BluLub®** inserts require less energy consumption and reach a lower coefficient of friction which improves the product stability and elongate the wear life of chains and belts.

The curves **RS** are perfectly interchangeable with the traditional versions.

Depending on application conditions various curve materials are suitable.

# Movex RS PRO

SUPER RS MAGNETIC CURVE

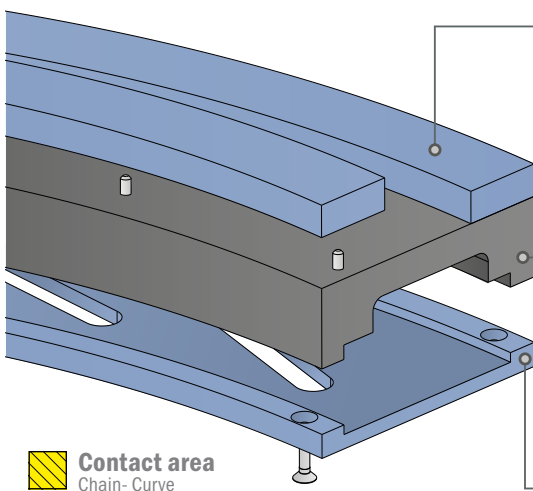
PATENTED

## A new concept of Magnetic curve.

**RS PRO** is a patented system that consists of machined plastic curve tracks equipped with permanent magnets with a new curve return concept.

This new return section-plate provides a total support of the chain or belt in the return of the curve.

**RS PRO** is equipped with wear-strips in **BluLub**, which contributes to improved PV-properties and reduce the energy consumption especially in applications with limited lubrication or higher loads.



### Wear strip made in **BluLub**

The assembly system reduces the maintenance-time in case of replacement and **BluLub** material guarantees great performance and due the lower friction which also improves the product stability and wearlife of chains and belts.

### Return section made in **Standard UHMW-PE**

The return section of the **RS PRO** curve is designed to reduce the distance between chain and magnets; ensuring steady magnetic force and keeping the chain in the correct position.

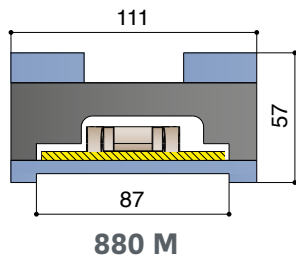
### New support plate made in **BluLub**

The new return-section plate creates a full support of the chain or belt in this return-section.

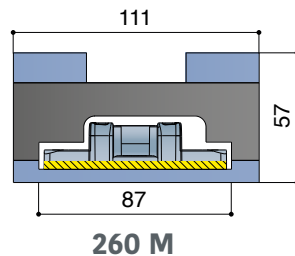
**RS PRO** patented curves can be used for **880 M** chain as well as **260 M** chain-belt.

Depending on the installation of the return-section plate, the correct space is created in the return.

Basically, two executions in one design!



880 M



260 M

- Lower Friction • Less Wear • Easy to maintain • Lower TCO • Less Energy • Easy to install

## NEW **RS CRATES**

### Specific for high load applications.

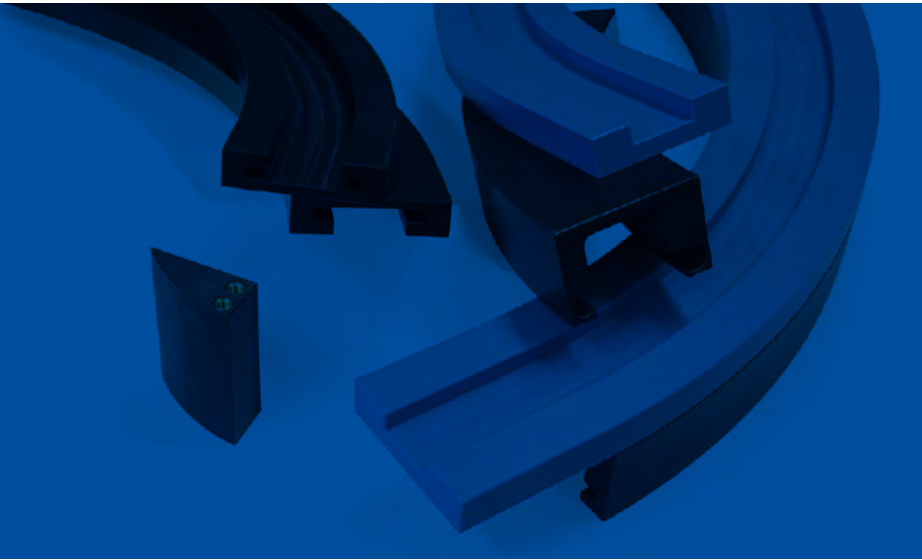
**RS CRATES** is the perfect solution for all the applications but specific abrasive conditions, able to guarantee great functionality even under high working load.

Also available in **C Abrasive** Version.





# 313



## RS PRO

### Series

\_\_\_\_\_ Pag 115

## 879-880-881

### M6 Series

\_\_\_\_\_ Pag 116

### M7 Series

\_\_\_\_\_ Pag 117

### M10 Series

\_\_\_\_\_ Pag 118

### M4 Series

\_\_\_\_\_ Pag 119

### M1 Series

\_\_\_\_\_ Pag 120

### M5 A/C/D Series

\_\_\_\_\_ Pag 121

### M8 Series

\_\_\_\_\_ Pag 122

### M42 Series

\_\_\_\_\_ Pag 123

### M9 Series

\_\_\_\_\_ Pag 124

### M43 Series

\_\_\_\_\_ Pag 125

### M21A Series

**K450** Pag 126

### M22A Series

**K450** Pag 127

### M27 Series

**K450** Pag 128

### M61 Series

**K750** Pag 129

### M62/66/65 Series

**K750** Pag 130

## 882-8857

### M81 Series

**K750** Pag 131

### M85 Series

**K750** Pag 132

### M86 Series

**K750** Pag 133

### M80 Series

**K750** Pag 134

## 882 M

### M93/M94 Series

**K1000** Pag 135

### M97/M98 Series

**K1200** Pag 136

## 882 LBP

### MP861 Series

**K750** Pag 137

### MP931/MP941 Series

**K1000** Pag 138

### MP91 Series

**K1000** Pag 139

### MP971/MP981 Series

**K1200** Pag 140

## 260 M

### MB7 Series

\_\_\_\_\_ Pag 141

### MB6 Series

\_\_\_\_\_ Pag 142

### MB4 Series

\_\_\_\_\_ Pag 143

### MB8 Series

\_\_\_\_\_ Pag 144

### MB5D Series

\_\_\_\_\_ Pag 145

### MB22 Series

**K450** Pag 146

### MB27 Series

**K450** Pag 147

## 261 M

### MC7 Series

\_\_\_\_\_ Pag 148

### MC6 Series

\_\_\_\_\_ Pag 149

### MC4 Series

\_\_\_\_\_ Pag 150

### MC8 Series

\_\_\_\_\_ Pag 151

### MCD5 Series

\_\_\_\_\_ Pag 152

### MC22 Series

**K450** Pag 153

### MC27 Series

**K450** Pag 154

## 520 M

### MA7 Series

\_\_\_\_\_ Pag 155

### MA6 Series

\_\_\_\_\_ Pag 156

### MA4 Series

\_\_\_\_\_ Pag 157

### MA8 Series

\_\_\_\_\_ Pag 158

### MA42 Series

\_\_\_\_\_ Pag 159

### MA43 Series

\_\_\_\_\_ Pag 160

### MA5D Series

\_\_\_\_\_ Pag 161

## 550 PRO M

### Series

\_\_\_\_\_ Pag 162

# Magnetic, Tab & Bevel corner tracks

Material  
Info:



pg. 111

## TAB Version

**878-879-880-881-888-260-261 TAB**

\_\_\_\_\_ Pag 163

**878 TAB-880 TAB BO**

\_\_\_\_\_ Pag 164

**888 TAB**

\_\_\_\_\_ Pag 165

**882 TAB**

\_\_\_\_\_ Pag 166

**1873-1874 TAB**

\_\_\_\_\_ Pag 167

**1843 TAB**

\_\_\_\_\_ Pag 168

**1701 TAB-1706 TAB**

\_\_\_\_\_ Pag 169

## Bevel Version

**880-881-8811 B**

\_\_\_\_\_ Pag 174

## Straight section

**878-879-880-881-888-260-261 TAB**

\_\_\_\_\_ Pag 175

**882 TAB**

\_\_\_\_\_ Pag 175

**1873-1874 TAB**

\_\_\_\_\_ Pag 176

**1843 TAB**

\_\_\_\_\_ Pag 176

**1701 TAB-1706 TAB**

\_\_\_\_\_ Pag 177

## 600 Series

**Standard and Small radius**

\_\_\_\_\_ Pag 170

**Standard and Small radius - TAB Version**

\_\_\_\_\_ Pag 171

**Heavy duty and Heavy duty/Small radius**

\_\_\_\_\_ Pag 172

**With Bearings**

\_\_\_\_\_ Pag 173



**RS PRO**

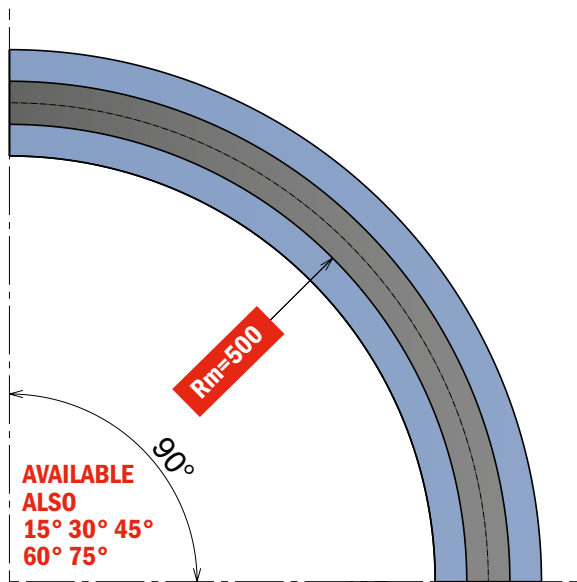
**PATENTED**

Chain Reference	879 M - K325	880 M - K325	880 M - K330	881 M - K325	881 M - K330	260 M - K330	Delivery:	Easy	Standard
-----------------	--------------	--------------	--------------	--------------	--------------	--------------	-----------	------	----------

Curva Larghezza Base = 111 mm

Curve Basic Width = 111 mm

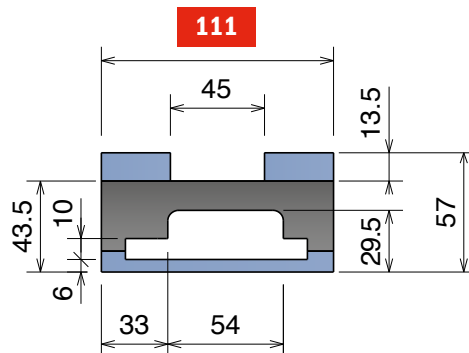
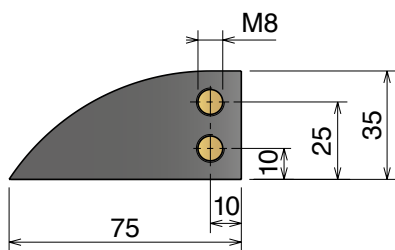
Kurve Basisbreite = 111 mm



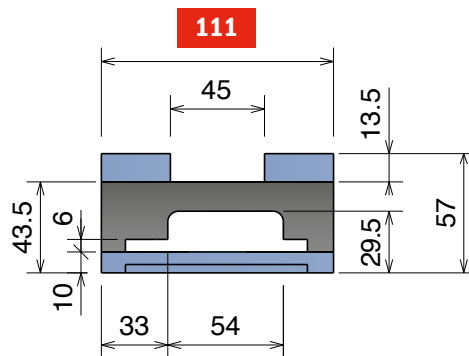
IN & OUT  
 AVAILABLE ALSO  
 125 mm - 100 mm - 50 mm



Available in  
**BluLub**



SINGLE TRACK for 260 M



SINGLE TRACK for 880 M

**MAGNETIC SYSTEM**

Part	Article-Nr.	Tracks	W	Material
712	71211610RSPRO	1	111	

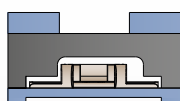


**RS PRO**  
 CURVE

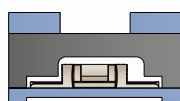
On request available  
 with different radius.

**RS PRO**

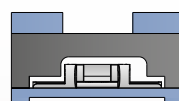
ONE curve, FOUR chains!



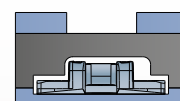
879 M



880 M



881 M



260 M

# 879-880-881 M6 Series

Curve magnetiche, Tab & Bevel / Magnetic, Tab & Bevel corner tracks / Kurvenführungen Magnet, Tab & Bevel Version

Materiale / Material / Materialien:  
 Polietilene UHMW-PE  
 Polyethylene UHMW-PE  
 Polyäthylen UHMW-PE

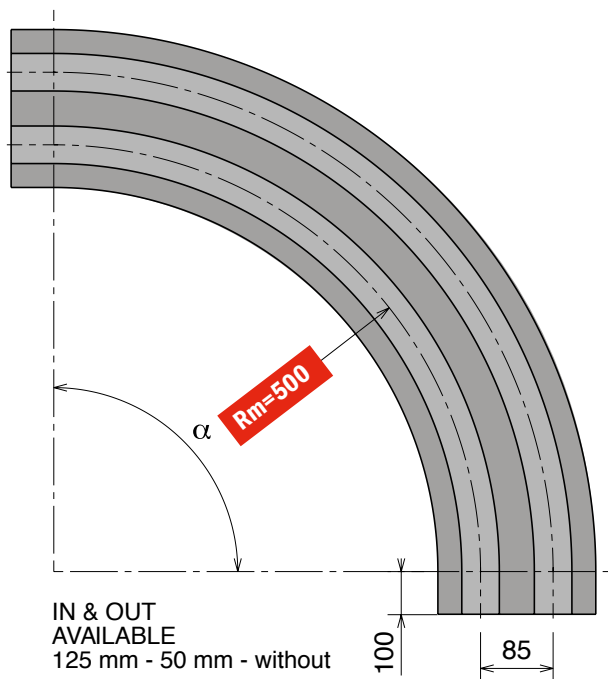
## 879-880-881 M6 Series

Chain Reference	879 M - K325	880 M - K325	880 M - K330	881 M - K325	881 M - K330	Delivery:	Easy	Standard
-----------------	--------------	--------------	--------------	--------------	--------------	-----------	------	----------

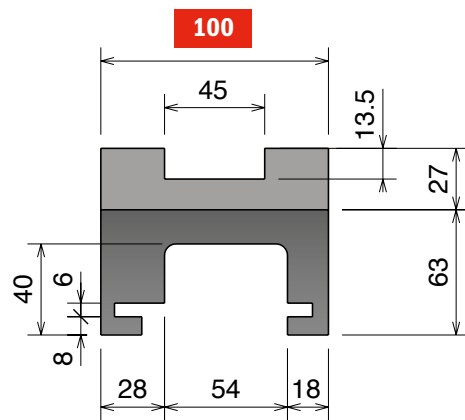
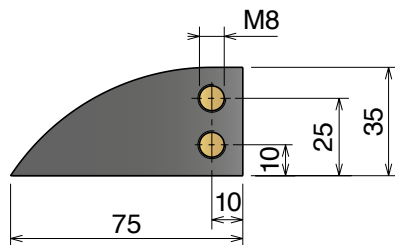
Curva Larghezza Base = 100 mm; Passo = 85 mm

Curve Basic Width = 100 mm; Pitch = 85 mm

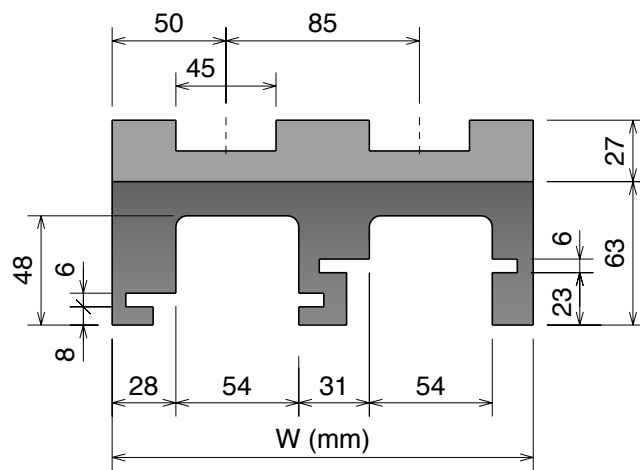
Kurve Basisbreite = 100 mm; Teilung = 85 mm



Available in **BluLub**



SINGLE TRACK



MULTI TRACK

Upper part available, on request, also in **BluLub** and for abrasive applications.

### MAGNETIC SYSTEM

Part	$\alpha$ 15°	$\alpha$ 30°	$\alpha$ 45°	$\alpha$ 60°	$\alpha$ 75°	$\alpha$ 90°	Tracks	W	Material
701	70111114	70111214	70111314	70111414	70111514	70111614	1	100	Standard codes on table
701	70111124	70111224	70111324	70111424	70111524	70111624	2	185	
701	70111134	70111234	70111334	70111434	70111534	70111634	3	270	add "B" for BluLub
701	70111144	70111244	70111344	70111444	70111544	70111644	4	355	
701	70111154	70111254	70111354	70111454	70111554	70111654	5	440	add "C" for abrasive
701	70111164	70111264	70111364	70111464	70111564	70111664	6	525	
701	70111174	70111274	70111374	70111474	70111574	70111674	7	610	
701	70111184	70111284	70111384	70111484	70111584	70111684	8	695	

Part	$\alpha$ 15°	$\alpha$ 30°	$\alpha$ 45°	$\alpha$ 60°	$\alpha$ 75°	$\alpha$ 90°	Tracks	W	Material
701	70111114RS	70111214RS	70111314RS	70111414RS	70111514RS	70111614RS	1	100	add "RS" for RS-version
701	70111124RS	70111224RS	70111324RS	70111424RS	70111524RS	70111624RS	2	185	
701	70111134RS	70111234RS	70111334RS	70111434RS	70111534RS	70111634RS	3	270	
701	70111144RS	70111244RS	70111344RS	70111444RS	70111544RS	70111644RS	4	355	
701	70111154RS	70111254RS	70111354RS	70111454RS	70111554RS	70111654RS	5	440	
701	70111164RS	70111264RS	70111364RS	70111464RS	70111564RS	70111664RS	6	525	
701	70111174RS	70111274RS	70111374RS	70111474RS	70111574RS	70111674RS	7	610	
701	70111184RS	70111284RS	70111384RS	70111484RS	70111584RS	70111684RS	8	695	

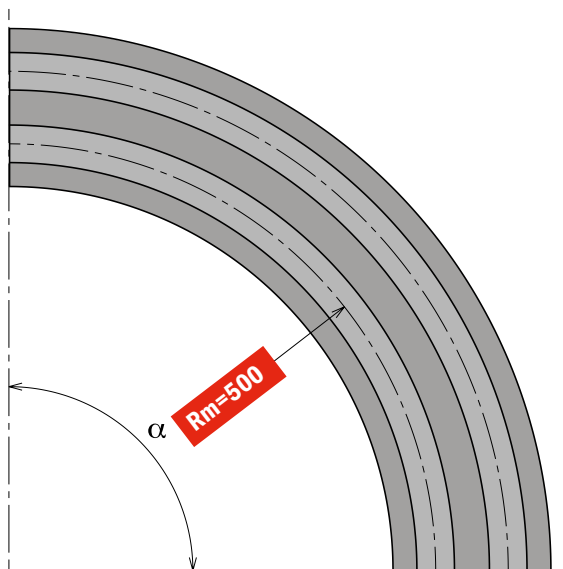
## 879-880-881 M7 Series

Chain Reference	879 M - K325	880 M - K325	880 M - K330	881 M - K325	881 M - K330
-----------------	--------------	--------------	--------------	--------------	--------------

Curva Larghezza Base = 100 mm; Passo = 85 mm

Curve Basic Width = 100 mm; Pitch = 85 mm

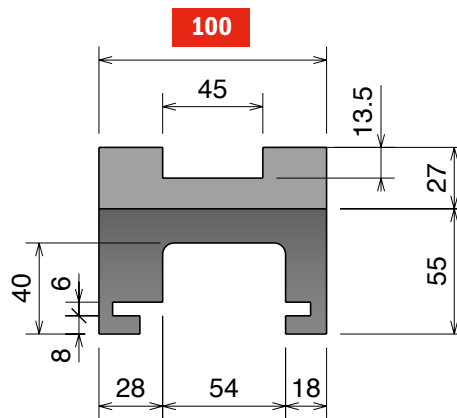
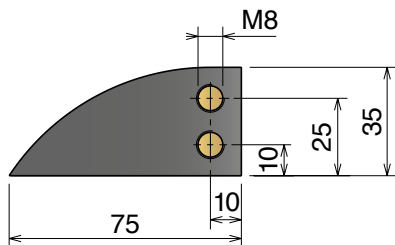
Kurve Basisbreite = 100 mm; Teilung = 85 mm



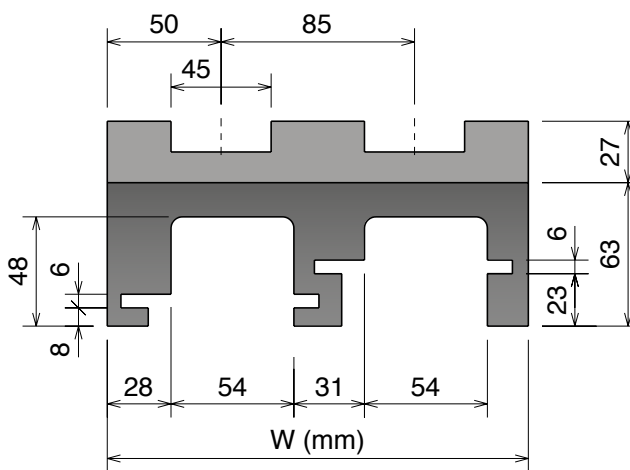
IN & OUT  
 AVAILABLE ALSO  
 125 mm - 100 mm - 50 mm



Available in  
**BluLub®**



SINGLE TRACK



MULTI TRACK

Upper part available, on request,  
 also in **BluLub®**  
 and for abrasive applications.

**MAGNETIC SYSTEM**

Part	α 15°	α 30°	α 45°	α 60°	α 75°	α 90°	Tracks	W	Material
701	70111110	70111210	70111310	70111410	70111510	70111610	1	100	<b>Standard</b> codes on table  add "B" for <b>BluLub®</b>  add "C" for abrasive
701	70111120	70111220	70111320	70111420	70111520	70111620	2	185	
701	70111130	70111230	70111330	70111430	70111530	70111630	3	270	
701	70111140	70111240	70111340	70111440	70111540	70111640	4	355	
701	70111150	70111250	70111350	70111450	70111550	70111650	5	440	
701	70111160	70111260	70111360	70111460	70111560	70111660	6	525	
701	70111170	70111270	70111370	70111470	70111570	70111670	7	610	
701	70111180	70111280	70111380	70111480	70111580	70111680	8	695	

Part	α 15°	α 30°	α 45°	α 60°	α 75°	α 90°	Tracks	W	Material
701	70111110RS	70111210RS	70111310RS	70111410RS	70111510RS	70111610RS	1	100	add "RS" for RS-version
701	70111120RS	70111220RS	70111320RS	70111420RS	70111520RS	70111620RS	2	185	
701	70111130RS	70111230RS	70111330RS	70111430RS	70111530RS	70111630RS	3	270	
701	70111140RS	70111240RS	70111340RS	70111440RS	70111540RS	70111640RS	4	355	
701	70111150RS	70111250RS	70111350RS	70111450RS	70111550RS	70111650RS	5	440	
701	70111160RS	70111260RS	70111360RS	70111460RS	70111560RS	70111660RS	6	525	
701	70111170RS	70111270RS	70111370RS	70111470RS	70111570RS	70111670RS	7	610	
701	70111180RS	70111280RS	70111380RS	70111480RS	70111580RS	70111680RS	8	695	

# 879-880-881 M10 Series

Curve magnetiche, Tab & Bevel / Magnetic, Tab & Bevel corner tracks / Kurvenführungen Magnet, Tab & Bevel Version

Materiale / Material / Materialien:  
 Polietilene UHMW-PE  
 Polyethylene UHMW-PE  
 Polyäthylen UHMW-PE

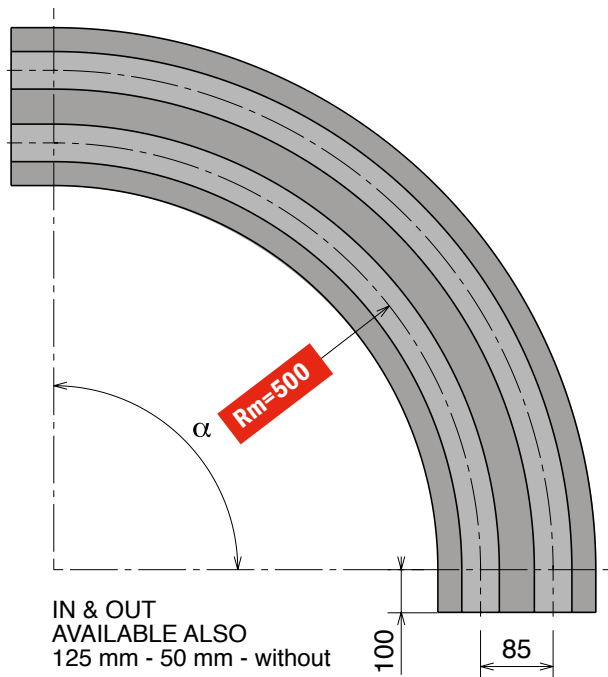
## 879-880-881 M10 Series

Chain Reference	879 M - K325	880 M - K325	880 M - K330	881 M - K325	881 M - K330
-----------------	--------------	--------------	--------------	--------------	--------------

Curva Larghezza Base = 110 mm; Passo = 85 mm

Curve Basic Width = 110 mm; Pitch = 85 mm

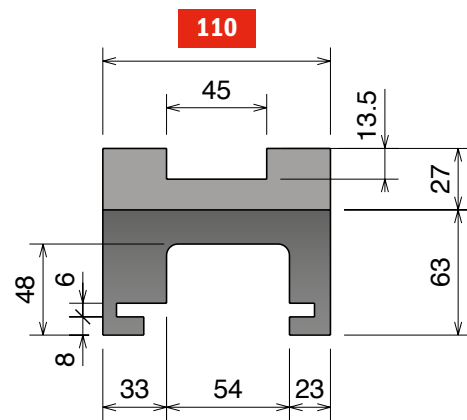
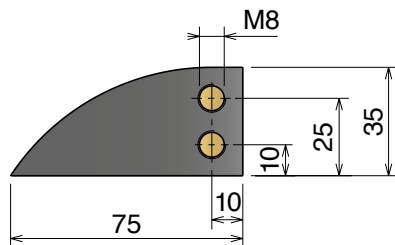
Kurve Basisbreite = 110 mm; Teilung = 85 mm



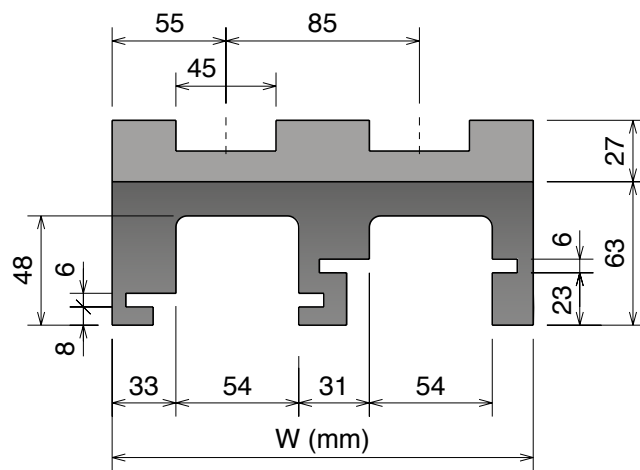
IN & OUT  
 AVAILABLE ALSO  
 125 mm - 50 mm - without



Available in  
**BluLub**



SINGLE TRACK



MULTI TRACK

Upper part available, on request,  
 also in **BluLub**  
 and for abrasive applications.

### MAGNETIC SYSTEM

Part	$\alpha$ 15°	$\alpha$ 30°	$\alpha$ 45°	$\alpha$ 60°	$\alpha$ 75°	$\alpha$ 90°	Tracks	W	Material	
711	71111114	71111214	71111314	71111414	71111514	71111614	1	110		Standard codes on table
711	71111124	71111224	71111324	71111424	71111524	71111624	2	195		
711	71111134	71111234	71111334	71111434	71111534	71111634	3	280		add "B" for <b>BluLub</b>
711	71111144	71111244	71111344	71111444	71111544	71111644	4	365		
711	71111154	71111254	71111354	71111454	71111554	71111654	5	450		add "C" for abrasive
711	71111164	71111264	71111364	71111464	71111564	71111664	6	535		
711	71111174	71111274	71111374	71111474	71111574	71111674	7	620		
711	71111184	71111284	71111384	71111484	71111584	71111684	8	705		

Part	$\alpha$ 15°	$\alpha$ 30°	$\alpha$ 45°	$\alpha$ 60°	$\alpha$ 75°	$\alpha$ 90°	Tracks	W	Material	
711	71111114RS	71111214RS	71111314RS	71111414RS	71111514RS	71111614RS	1	110		add "RS" for RS-version
711	71111124RS	71111224RS	71111324RS	71111424RS	71111524RS	71111624RS	2	195		
711	71111134RS	71111234RS	71111334RS	71111434RS	71111534RS	71111634RS	3	280		
711	71111144RS	71111244RS	71111344RS	71111444RS	71111544RS	71111644RS	4	365		
711	71111154RS	71111254RS	71111354RS	71111454RS	71111554RS	71111654RS	5	450		
711	71111164RS	71111264RS	71111364RS	71111464RS	71111564RS	71111664RS	6	535		
711	71111174RS	71111274RS	71111374RS	71111474RS	71111574RS	71111674RS	7	620		
711	71111184RS	71111284RS	71111384RS	71111484RS	71111584RS	71111684RS	8	705		

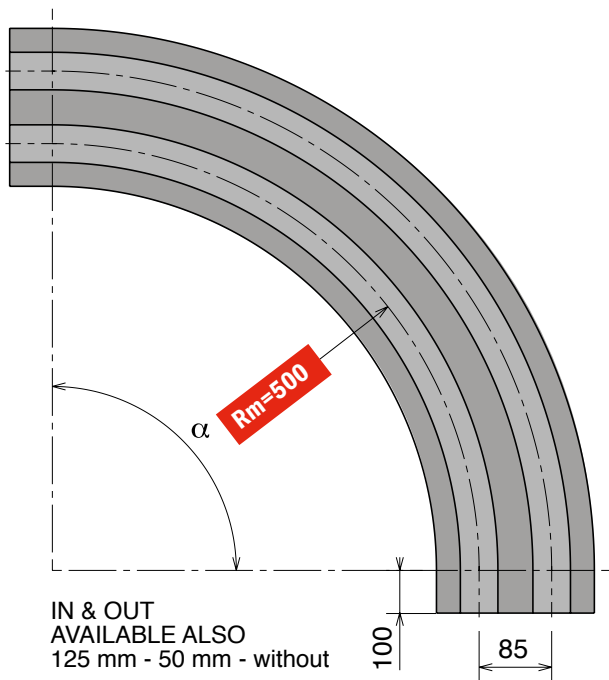
## 879-880-881 M4 Series

Chain Reference	879 M - K325	880 M - K325	880 M - K330	881 M - K325	881 M - K330
-----------------	--------------	--------------	--------------	--------------	--------------

Curva Larghezza Base = 111 mm; Passo = 85 mm

Curve Basic Width = 111 mm; Pitch = 85 mm

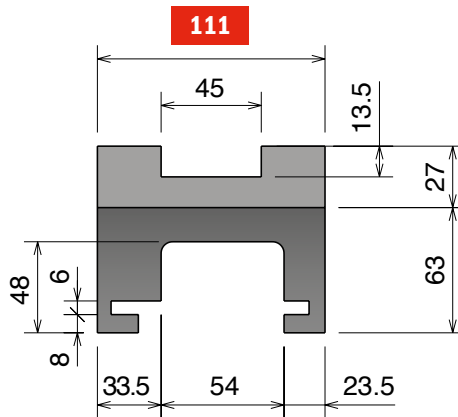
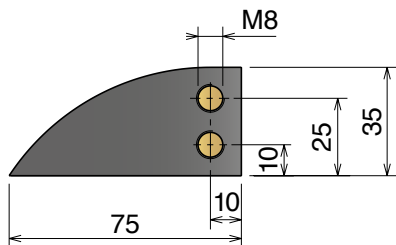
Kurve Basisbreite = 111 mm; Teilung = 85 mm



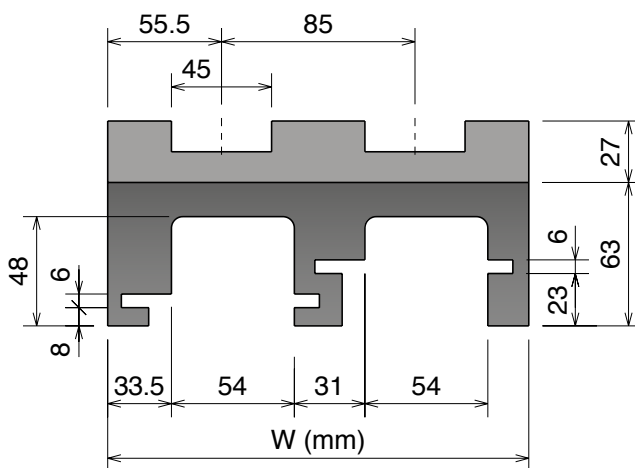
IN & OUT  
 AVAILABLE ALSO  
 125 mm - 50 mm - without



Available in  
**BluLub®**




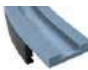

SINGLE TRACK

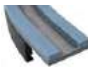


MULTI TRACK

Upper part available, on request,  
 also in **BluLub®**  
 and for abrasive applications.

**MAGNETIC SYSTEM**

Part	α 15°	α 30°	α 45°	α 60°	α 75°	α 90°	Tracks	W	Material
712	71211114	71211214	71211314	71211414	71211514	71211614	1	111	 <b>Standard</b> codes on table  add "B" for <b>BluLub®</b>  add "C" for abrasive
712	71211124	71211224	71211324	71211424	71211524	71211624	2	196	
712	71211134	71211234	71211334	71211434	71211534	71211634	3	281	
712	71211144	71211244	71211344	71211444	71211544	71211644	4	366	
712	71211154	71211254	71211354	71211454	71211554	71211654	5	451	
712	71211164	71211264	71211364	71211464	71211564	71211664	6	536	
712	71211174	71211274	71211374	71211474	71211574	71211674	7	621	
712	71211184	71211284	71211384	71211484	71211584	71211684	8	706	

Part	α 15°	α 30°	α 45°	α 60°	α 75°	α 90°	Tracks	W	Material
712	71211114RS	71211214RS	71211314RS	71211414RS	71211514RS	71211614RS	1	111	 <b>RS</b> add "RS" for RS-version
712	71211124RS	71211224RS	71211324RS	71211424RS	71211524RS	71211624RS	2	196	
712	71211134RS	71211234RS	71211334RS	71211434RS	71211534RS	71211634RS	3	281	
712	71211144RS	71211244RS	71211344RS	71211444RS	71211544RS	71211644RS	4	366	
712	71211154RS	71211254RS	71211354RS	71211454RS	71211554RS	71211654RS	5	451	
712	71211164RS	71211264RS	71211364RS	71211464RS	71211564RS	71211664RS	6	536	
712	71211174RS	71211274RS	71211374RS	71211474RS	71211574RS	71211674RS	7	621	
712	71211184RS	71211284RS	71211384RS	71211484RS	71211584RS	71211684RS	8	706	

# 879-880-881 M1 Series

Curve magnetiche, Tab & Bevel / Magnetic, Tab & Bevel corner tracks / Kurvenführungen Magnet, Tab & Bevel Version

Materiale / Material / Materialien:  
 Polietilene UHMW-PE  
 Polyethylene UHMW-PE  
 Polyäthylen UHMW-PE

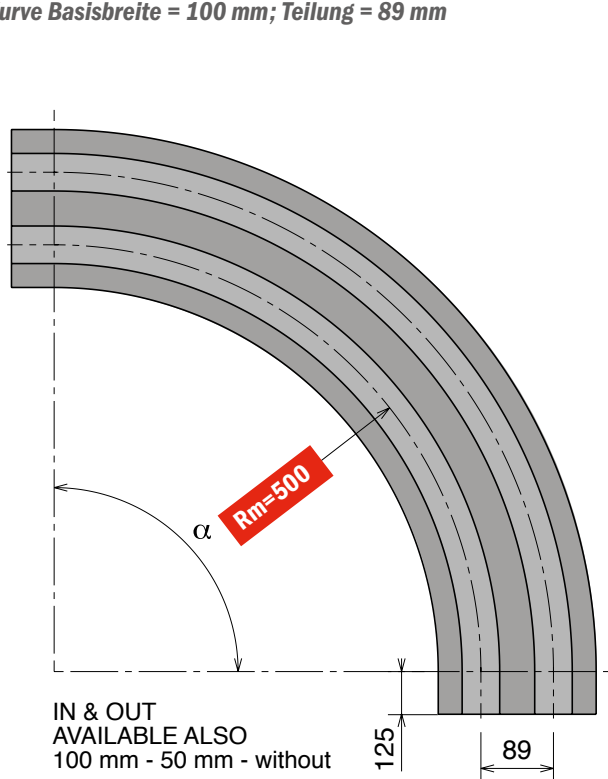
## 879-880-881 M1 Series

Chain Reference	879 M - K325	880 M - K325	880 M - K330	881 M - K325	881 M - K330
-----------------	--------------	--------------	--------------	--------------	--------------

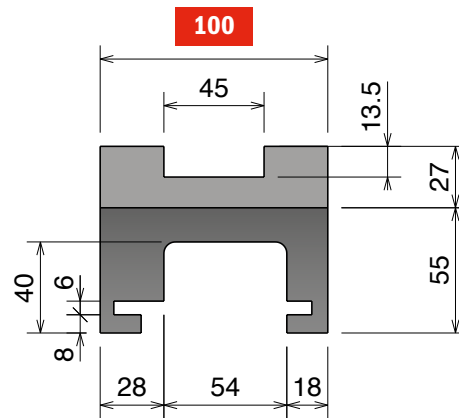
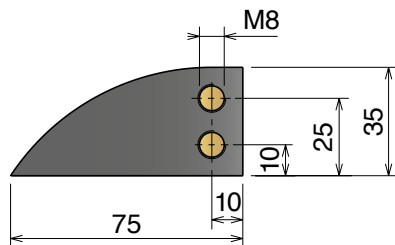
Curva Larghezza Base = 100 mm; Passo = 89 mm

Curve Basic Width = 100 mm; Pitch = 89 mm

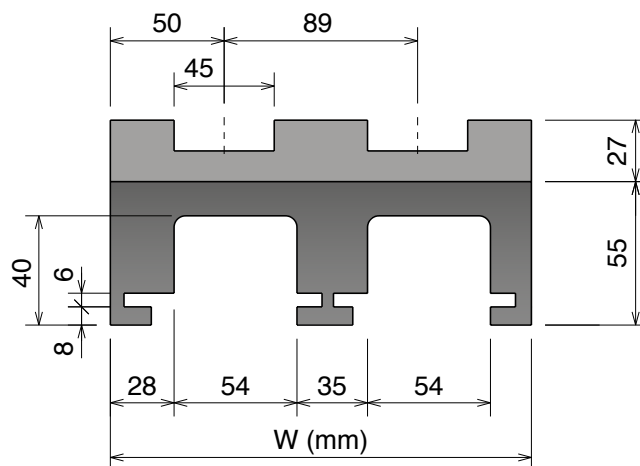
Kurve Basisbreite = 100 mm; Teilung = 89 mm



Available in **BluLub**



SINGLE TRACK



MULTI TRACK

Upper part available, on request, also in **BluLub** and for abrasive applications.

### MAGNETIC SYSTEM

Part	$\alpha$ 15°	$\alpha$ 30°	$\alpha$ 45°	$\alpha$ 60°	$\alpha$ 75°	$\alpha$ 90°	Tracks	W	Material
730	73011115	73011215	73011315	73011415	73011515	73011615	1	100	
730	73011125	73011225	73011325	73011425	73011525	73011625	2	189	
730	73011135	73011235	73011335	73011435	73011535	73011635	3	278	
730	73011145	73011245	73011345	73011445	73011545	73011645	4	367	
730	73011155	73011255	73011355	73011455	73011555	73011655	5	456	
730	73011165	73011265	73011365	73011465	73011565	73011665	6	545	
730	73011175	73011275	73011375	73011475	73011575	73011675	7	634	
730	73011185	73011285	73011385	73011485	73011585	73011685	8	723	

Part	$\alpha$ 15°	$\alpha$ 30°	$\alpha$ 45°	$\alpha$ 60°	$\alpha$ 75°	$\alpha$ 90°	Tracks	W	Material
730	73011115RS	73011215RS	73011315RS	73011415RS	73011515RS	73011615RS	1	100	
730	73011125RS	73011225RS	73011325RS	73011425RS	73011525RS	73011625RS	2	189	
730	73011135RS	73011235RS	73011335RS	73011435RS	73011535RS	73011635RS	3	278	
730	73011145RS	73011245RS	73011345RS	73011445RS	73011545RS	73011645RS	4	367	
730	73011155RS	73011255RS	73011355RS	73011455RS	73011555RS	73011655RS	5	456	
730	73011165RS	73011265RS	73011365RS	73011465RS	73011565RS	73011665RS	6	545	
730	73011175RS	73011275RS	73011375RS	73011475RS	73011575RS	73011675RS	7	634	
730	73011185RS	73011285RS	73011385RS	73011485RS	73011585RS	73011685RS	8	723	



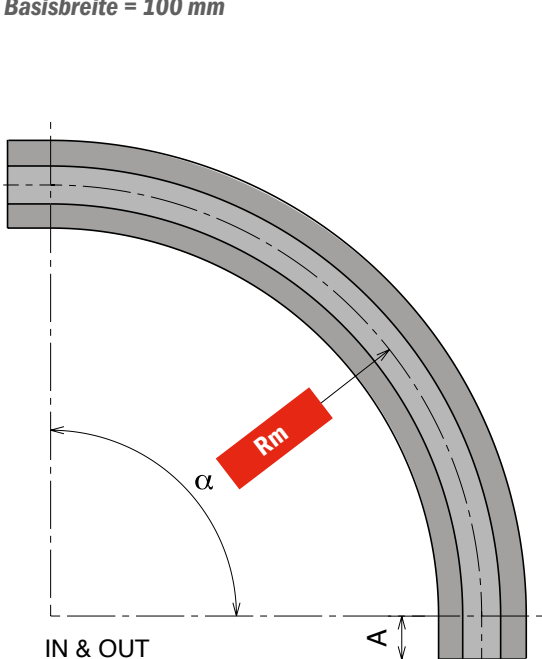
## 879-880-881 M5 A/C/D Series

Chain Reference	879 M - K325	880 M - K325	880 M - K330	881 M - K325	881 M - K330
-----------------	--------------	--------------	--------------	--------------	--------------

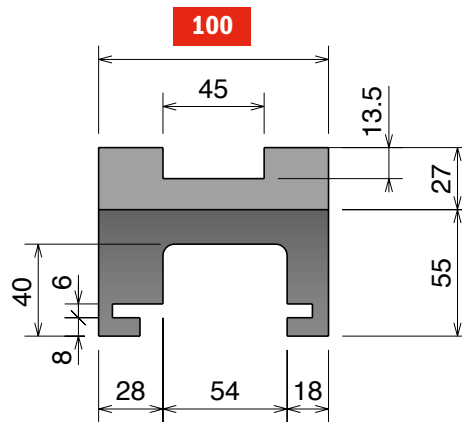
Curva Larghezza Base = 100 mm

Curve Basic Width = 100 mm

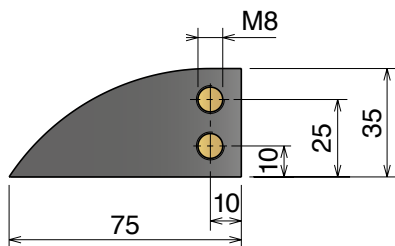
Kurve Basisbreite = 100 mm



IN & OUT  
 AVAILABLE ALSO  
 100 mm - 50 mm - without



Available in  
**BluLub®**



Upper part available, on request,  
 also in **BluLub®**  
 and for abrasive applications.

**MAGNETIC SYSTEM**

### M5A Series - Rm 680

Part	$\alpha$ 15°	$\alpha$ 30°	$\alpha$ 45°	$\alpha$ 60°	$\alpha$ 75°	$\alpha$ 90°	Tracks	W	A
703	70315114	70315214	70315314	70315414	70315514	70315614	1	100	100
Material	Standard codes on table		add "B" for <b>BluLub®</b>		add "C" for abrasive		add "RS" for <b>RS</b> -version		

### M5C Series - Rm 860

Part	$\alpha$ 15°	$\alpha$ 30°	$\alpha$ 45°	$\alpha$ 60°	$\alpha$ 75°	$\alpha$ 90°	Tracks	W	A
703	70318115	70318215	70318315	70318415	70318515	70318615	1	100	125
Material	Standard codes on table		add "B" for <b>BluLub®</b>		add "C" for abrasive		add "RS" for <b>RS</b> -version		

### M5D Series - Rm 1000

Part	$\alpha$ 15°	$\alpha$ 30°	$\alpha$ 45°	$\alpha$ 60°	$\alpha$ 75°	$\alpha$ 90°	Tracks	W	A
703	70319110	70319210	70319310	70319410	70319510	70319610	1	100	0
Material	Standard codes on table		add "B" for <b>BluLub®</b>		add "C" for abrasive		add "RS" for <b>RS</b> -version		

# 879-880-881 M8 Series

Curve magnetiche, Tab & Bevel / Magnetic, Tab & Bevel corner tracks / Kurvenführungen Magnet, Tab & Bevel Version

Materiale / Material / Materialien:  
 Polietilene UHMW-PE  
 Polyethylene UHMW-PE  
 Polyäthylen UHMW-PE

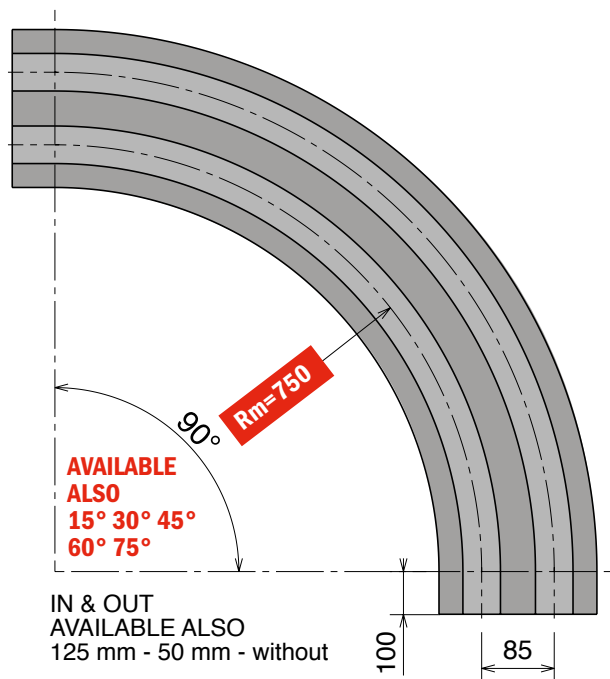
## 879-880-881 M8 Series

Chain Reference    879 M - K325    880 M - K325    880 M - K330    881 M - K325    881 M - K330

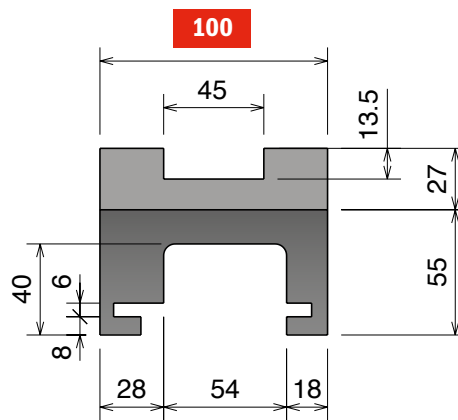
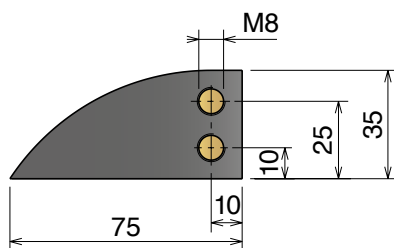
Curva Larghezza Base = 100 mm; Passo = 85 mm

Curve Basic Width = 100 mm; Pitch = 85 mm

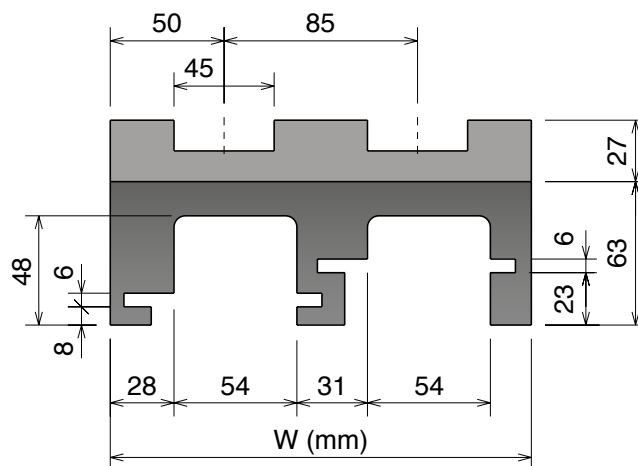
Kurve Basisbreite = 100 mm; Teilung = 85 mm



Available in **BluLub**



SINGLE TRACK



MULTI TRACK

Upper part available, on request, also in **BluLub** and for abrasive applications.

### MAGNETIC SYSTEM

Part	Article-Nr.	Tracks	W	Material
702	70216614	1	100	Standard codes on table
702	70216624	2	185	
702	70216634	3	270	add "B" for BluLub
702	70216644	4	355	
702	70216654	5	440	add "C" for abrasive
702	70216664	6	525	
702	70216674	7	610	
702	70216684	8	695	

Part	Article-Nr.	Tracks	W	Material
702	70216614RS	1	100	add "RS" for RS-version
702	70216624RS	2	185	
702	70216634RS	3	270	
702	70216644RS	4	355	
702	70216654RS	5	440	
702	70216664RS	6	525	
702	70216674RS	7	610	
702	70216684RS	8	695	

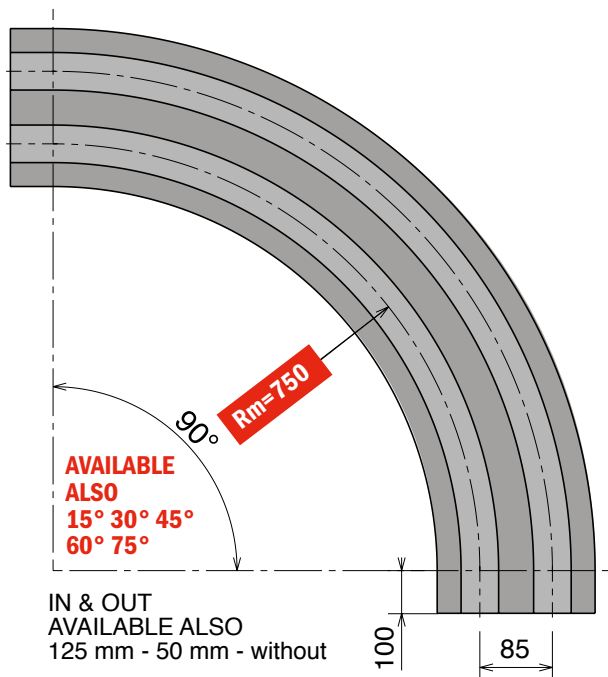
## 879-880-881 M42 Series

Chain Reference	879 M - K325	880 M - K325	880 M - K330	881 M - K325	881 M - K330
-----------------	--------------	--------------	--------------	--------------	--------------

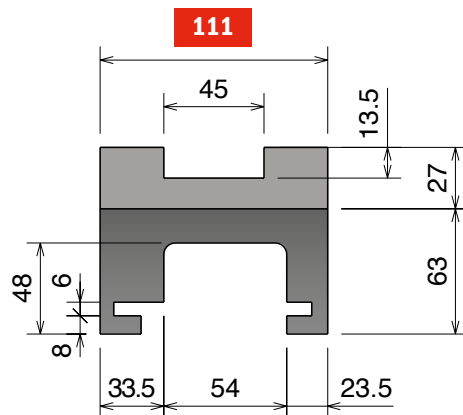
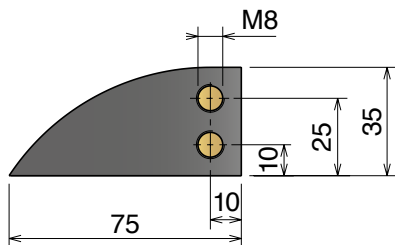
Curva Larghezza Base = 111 mm; Passo = 85 mm

Curve Basic Width = 111 mm; Pitch = 85 mm

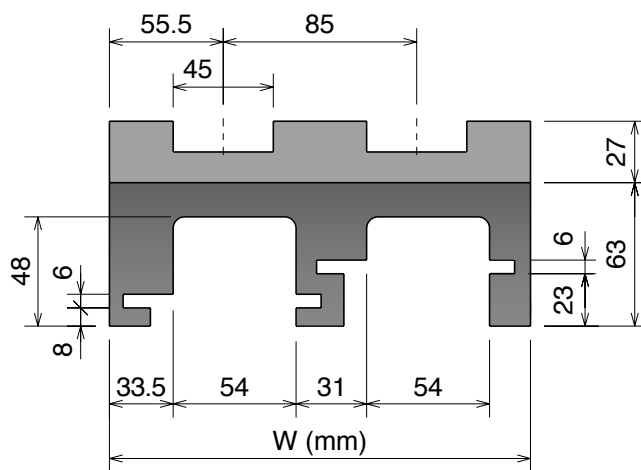
Kurve Basisbreite = 111 mm; Teilung = 85 mm



Available in **BluLub®**



SINGLE TRACK



MULTI TRACK

Upper part available, on request, also in **BluLub®** and for abrasive applications.

### MAGNETIC SYSTEM

Part	Article-Nr.	Tracks	W	Material
713	71316614	1	111	Standard codes on table
713	71316624	2	196	
713	71316634	3	281	add "B" for BluLub®
713	71316644	4	366	
713	71316654	5	451	add "C" for abrasive
713	71316664	6	536	
713	71316674	7	621	
713	71316684	8	706	

Part	Article-Nr.	Tracks	W	Material
713	71316614RS	1	111	add "RS" for RS-version
713	71316624RS	2	196	
713	71316634RS	3	281	
713	71316644RS	4	366	
713	71316654RS	5	451	
713	71316664RS	6	536	
713	71316674RS	7	621	
713	71316684RS	8	706	

# 879-880-881 M9 Series

Curve magnetiche, Tab & Bevel / Magnetic, Tab & Bevel corner tracks / Kurvenführungen Magnet, Tab & Bevel Version

Materiale / Material / Materialien:  
 Polietilene UHMW-PE  
 Polyethylene UHMW-PE  
 Polyäthylen UHMW-PE

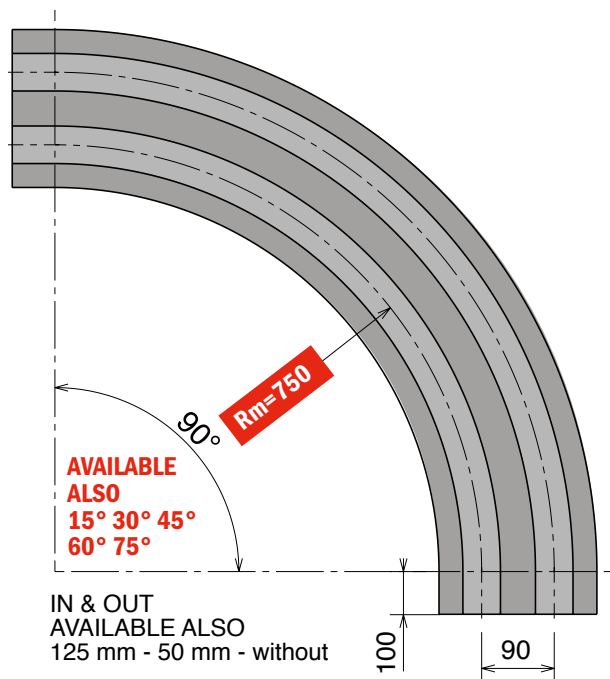
## 879-880-881 M9 Series

Chain Reference	879 M - K325	880 M - K325	880 M - K330	881 M - K325	881 M - K330
-----------------	--------------	--------------	--------------	--------------	--------------

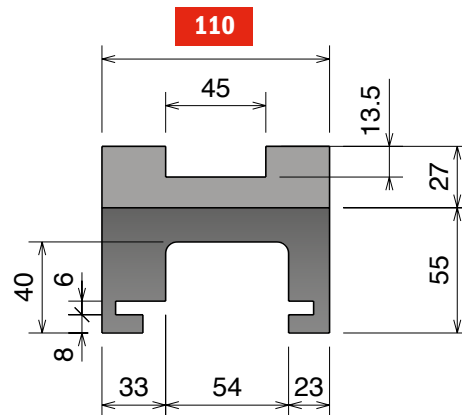
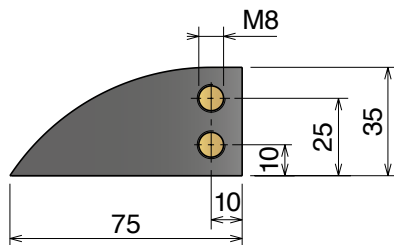
Curva Larghezza Base = 110 mm; Passo = 90 mm

Curve Basic Width = 110 mm; Pitch = 90 mm

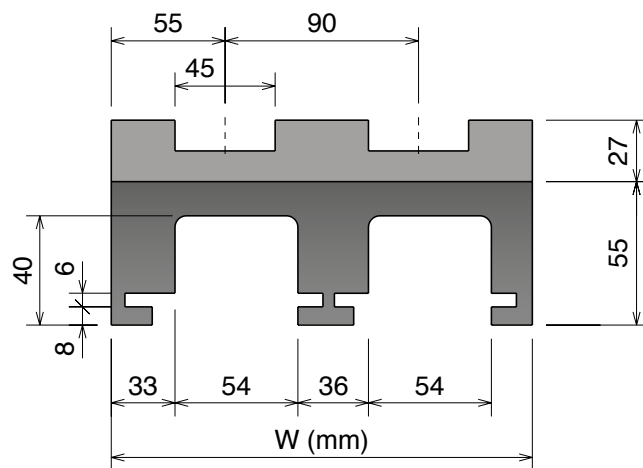
Kurve Basisbreite = 110 mm; Teilung = 90 mm



Available in **BluLub**



SINGLE TRACK



MULTI TRACK

Upper part available, on request, also in **BluLub** and for abrasive applications.

### MAGNETIC SYSTEM

Part	Article-Nr.	Tracks	W	Material
714	71416614	1	110	Standard codes on table
714	71416624	2	200	
714	71416634	3	290	
714	71416644	4	380	add "B" for BluLub
714	71416654	5	470	
714	71416664	6	560	add "C" for abrasive
714	71416674	7	650	
714	71416684	8	740	

Part	Article-Nr.	Tracks	W	Material
714	71416614RS	1	110	<b>RS</b> add "RS" for RS-version
714	71416624RS	2	200	
714	71416634RS	3	290	
714	71416644RS	4	380	
714	71416654RS	5	470	
714	71416664RS	6	560	
714	71416674RS	7	650	
714	71416684RS	8	740	

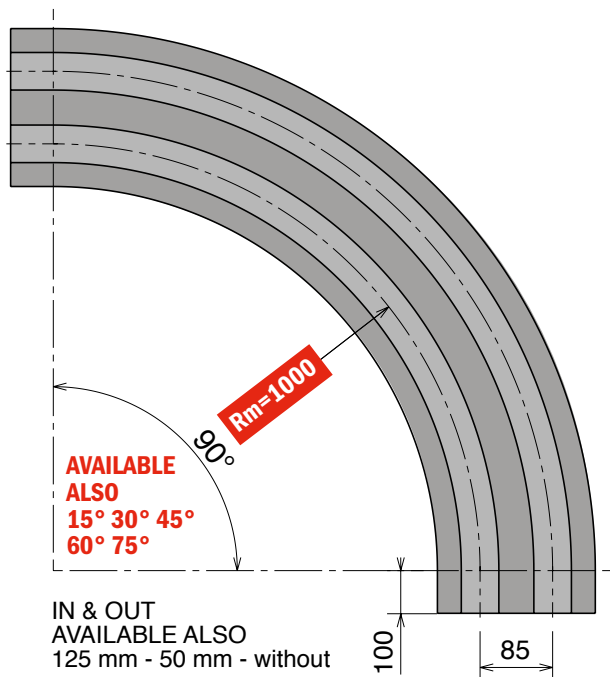
## 879-880-881 M43 Series

Chain Reference	879 M - K325	880 M - K325	880 M - K330	881 M - K325	881 M - K330	Delivery:	Easy	Standard
-----------------	--------------	--------------	--------------	--------------	--------------	-----------	------	----------

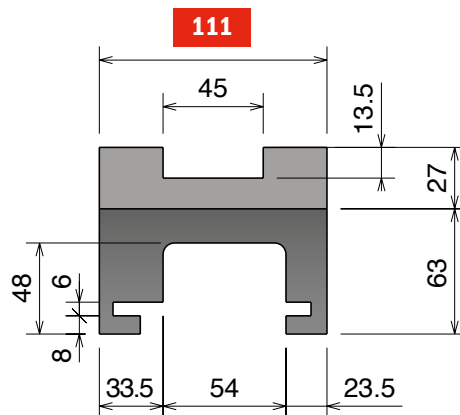
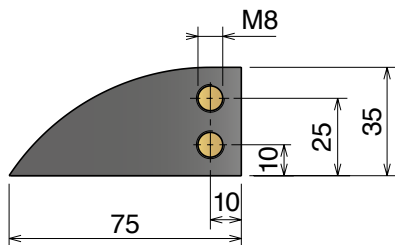
Curva Larghezza Base = 111 mm; Passo = 85 mm

Curve Basic Width = 111 mm; Pitch = 85 mm

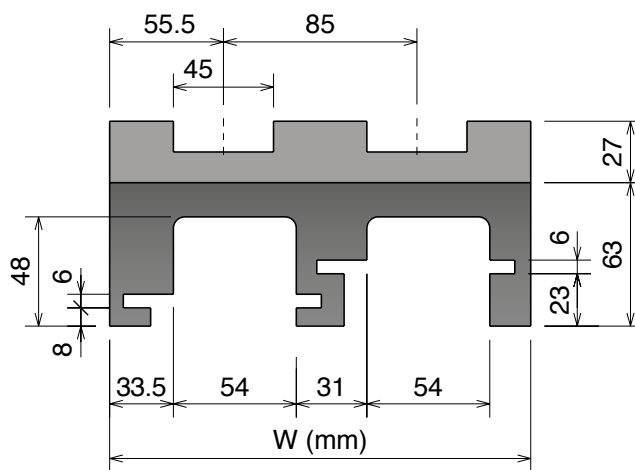
Kurve Basisbreite = 111 mm; Teilung = 85 mm



Available in **BluLub**®



SINGLE TRACK



MULTI TRACK

Upper part available, on request, also in **BluLub**® and for abrasive applications.

### MAGNETIC SYSTEM

Part	Article-Nr.	Tracks	W	Material
712	71219614	1	111	Standard codes on table
712	71219624	2	196	
712	71219634	3	281	add "B" for BluLub®
712	71219644	4	366	
712	71219654	5	451	add "C" for abrasive
712	71219664	6	536	
712	71219674	7	621	
712	71219684	8	706	

Part	Article-Nr.	Tracks	W	Material
712	71219614RS	1	111	add "RS" for RS-version
712	71219624RS	2	196	
712	71219634RS	3	281	
712	71219644RS	4	366	
712	71219654RS	5	451	
712	71219664RS	6	536	
712	71219674RS	7	621	
712	71219684RS	8	706	

# 879-880-881 K450 M21A Series

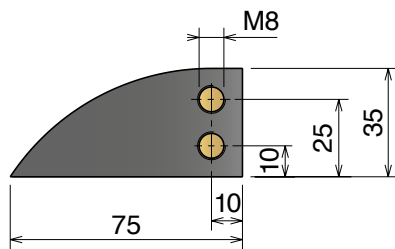
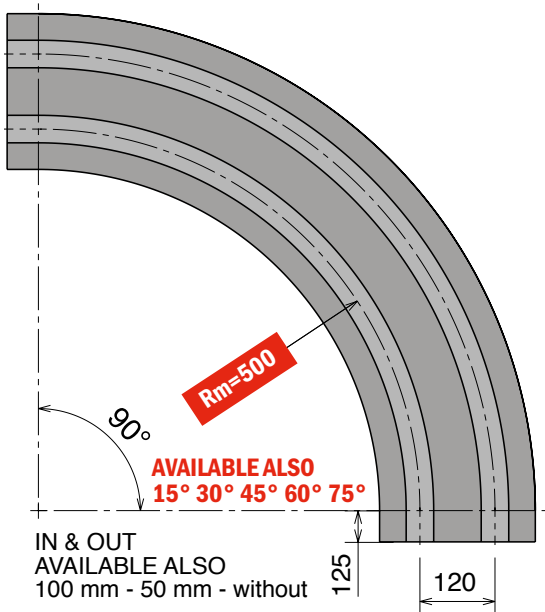
Curve magnetiche, Tab & Bevel / Magnetic, Tab & Bevel corner tracks / Kurvenführungen Magnet, Tab & Bevel Version

Materiale / Material / Materialien:  
 Polietilene UHMW-PE  
 Polyethylene UHMW-PE  
 Polyäthylen UHMW-PE

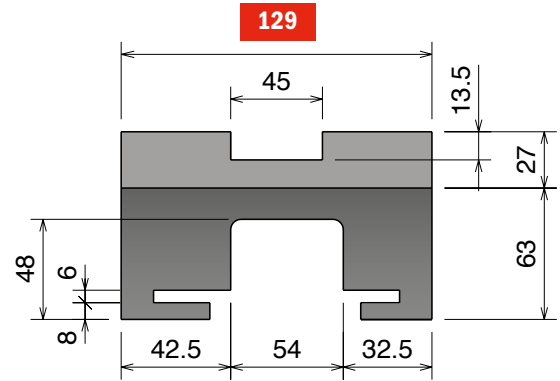
## 879-880-881 K450 M21A Series

Chain Reference    879 M - K450    880 M - K450    881 M - K450

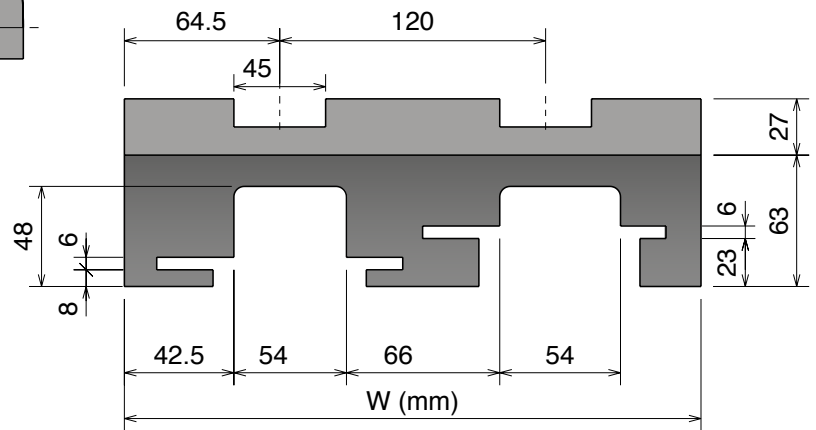
Curva Larghezza Base = 129 mm; Passo = 120 mm  
 Curve Basic Width = 129 mm; Pitch = 120 mm  
 Kurve Basisbreite = 129 mm; Teilung = 120 mm



Available in  
**BluLub®**



SINGLE TRACK



MULTI TRACK

Upper part available, on request,  
 also in **BluLub®**  
 and for abrasive applications.

### MAGNETIC SYSTEM

Part	Article-Nr.	Tracks	W	Material
715	71511615	1	129	Standard codes on table
715	71511625	2	249	
715	71511635	3	369	add "B" for BluLub®
715	71511645	4	489	
715	71511655	5	609	add "C" for abrasive

Part	Article-Nr.	Tracks	W	Material
715	71511615RS	1	129	add "RS" for RS-version
715	71511625RS	2	249	
715	71511635RS	3	369	
715	71511645RS	4	489	
715	71511655RS	5	609	

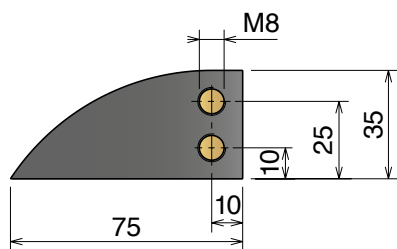
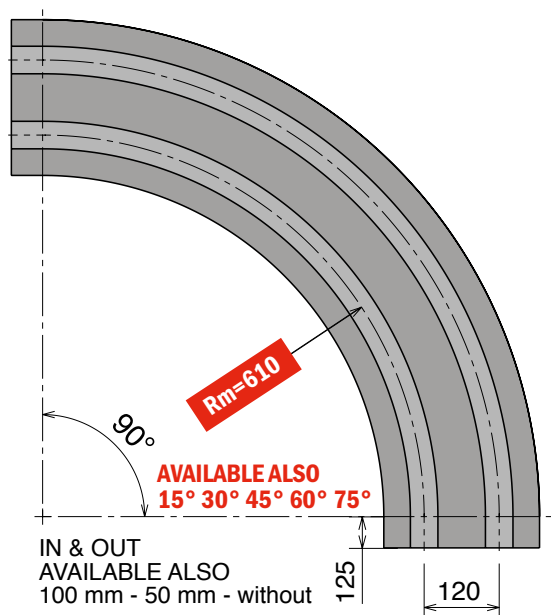
## 879-880-881 K450 M22A Series

Chain Reference	879 M - K450	880 M - K450	881 M - K450
-----------------	--------------	--------------	--------------

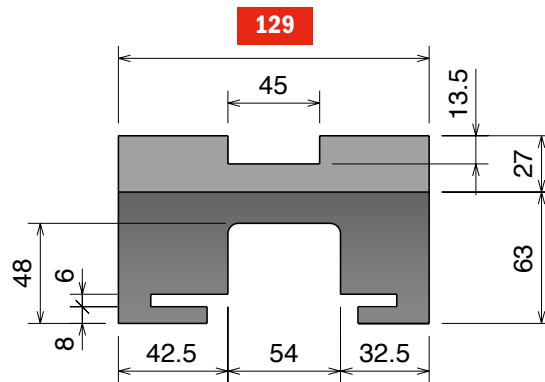
Curva Larghezza Base = 129 mm; Passo = 120 mm

Curve Basic Width = 129 mm; Pitch = 120 mm

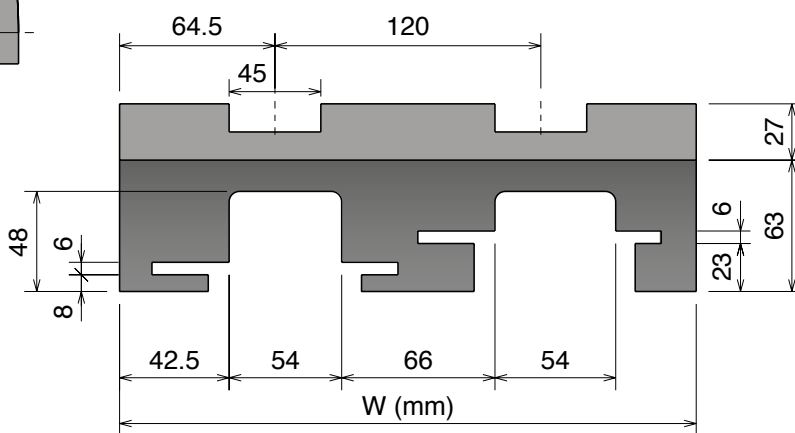
Kurve Basisbreite = 129 mm; Teilung = 120 mm



Available in **BluLub®**



SINGLE TRACK



MULTI TRACK

Upper part available, on request, also in **BluLub®** and for abrasive applications.

### MAGNETIC SYSTEM

Part	Article-Nr.	Tracks	W	Material
704	70413615	1	129	Standard codes on table
704	70413625	2	249	
704	70413635	3	369	add "B" for BluLub®
704	70413645	4	489	
704	70413655	5	609	add "C" for abrasive

Part	Article-Nr.	Tracks	W	Material
704	70413615RS	1	129	add "RS" for RS-version
704	70413625RS	2	249	
704	70413635RS	3	369	
704	70413645RS	4	489	
704	70413655RS	5	609	

# 879-880-881 K450 M27 Series

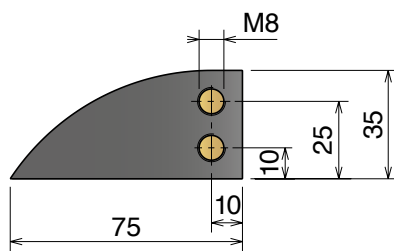
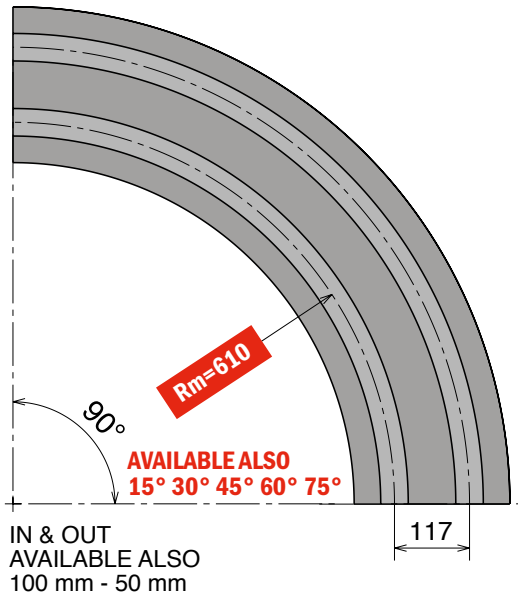
Curve magnetiche, Tab & Bevel / Magnetic, Tab & Bevel corner tracks / Kurvenführungen Magnet, Tab & Bevel Version

Materiale / Material / Materialien:  
 Polietilene UHMW-PE  
 Polyethylene UHMW-PE  
 Polyäthylen UHMW-PE

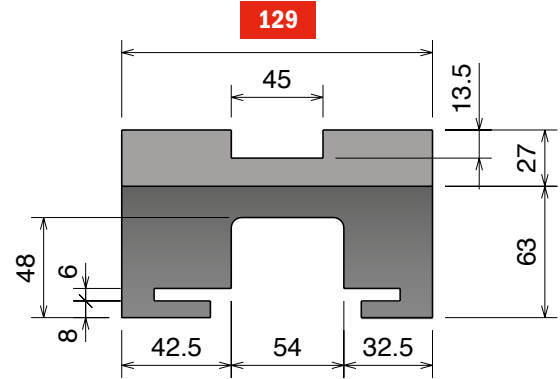
## 879-880-881 K450 M27 Series

Chain Reference    879 M - K450    880 M - K450    881 M - K450

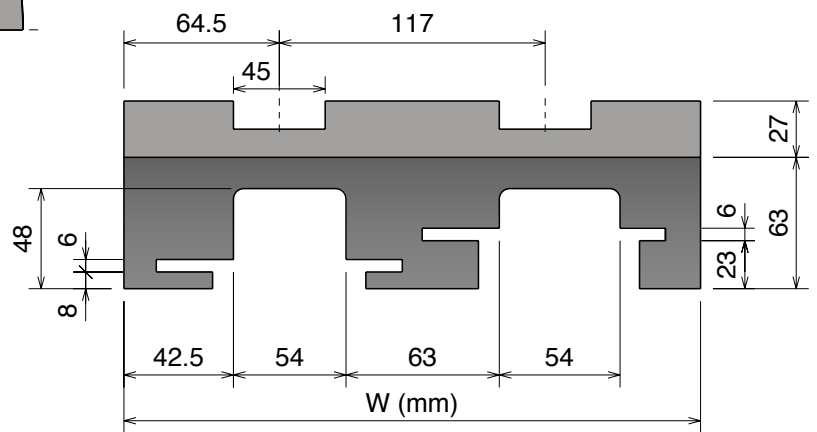
Curva Larghezza Base = 129 mm; Passo = 117 mm  
 Curve Basic Width = 129 mm; Pitch = 117 mm  
 Kurve Basisbreite = 129 mm; Teilung = 117 mm



Available in  
**BluLub®**



SINGLE TRACK



MULTI TRACK

Upper part available, on request,  
 also in **BluLub®**  
 and for abrasive applications.

### MAGNETIC SYSTEM

Part	Article-Nr.	Tracks	W	Material
731	73113610	1	129	Standard codes on table
731	73113620	2	246	
731	73113630	3	363	add "B" for BluLub®
731	73113640	4	480	
731	73113650	5	597	add "C" for abrasive
731	73113660	6	714	
731	73113670	7	831	
731	73113680	8	948	

Part	Article-Nr.	Tracks	W	Material
731	73113610RS	1	129	add "RS" for RS-version
731	73113620RS	2	246	
731	73113630RS	3	363	
731	73113640RS	4	480	
731	73113650RS	5	597	
731	73113660RS	6	714	
731	73113670RS	7	831	
731	73113680RS	8	948	



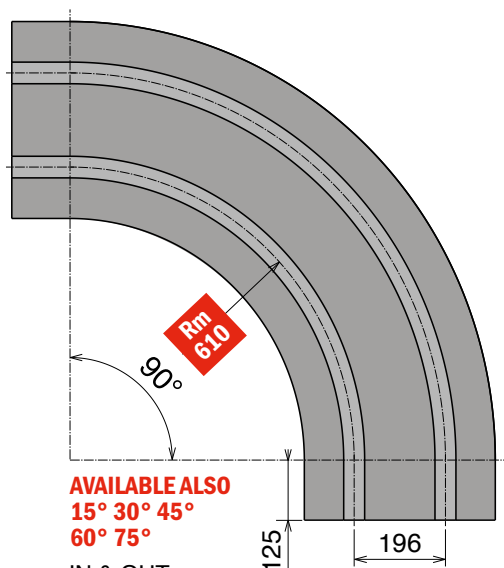
## 879-880-881 K750 M61 Series

Chain Reference	880 M - K750	881 M - K750
-----------------	--------------	--------------

Curva Larghezza Base = 214 mm; Passo = 196 mm

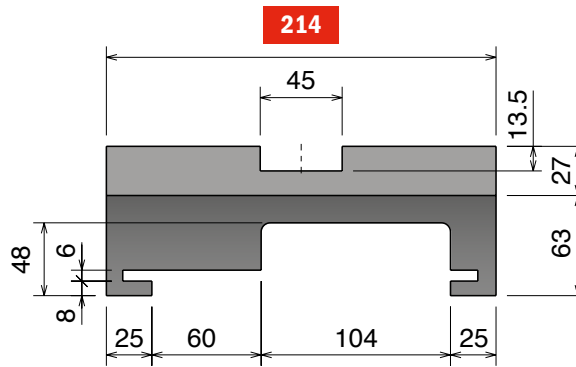
Curve Basic Width = 214 mm; Pitch = 196 mm

Kurve Basisbreite = 214 mm; Teilung = 196 mm

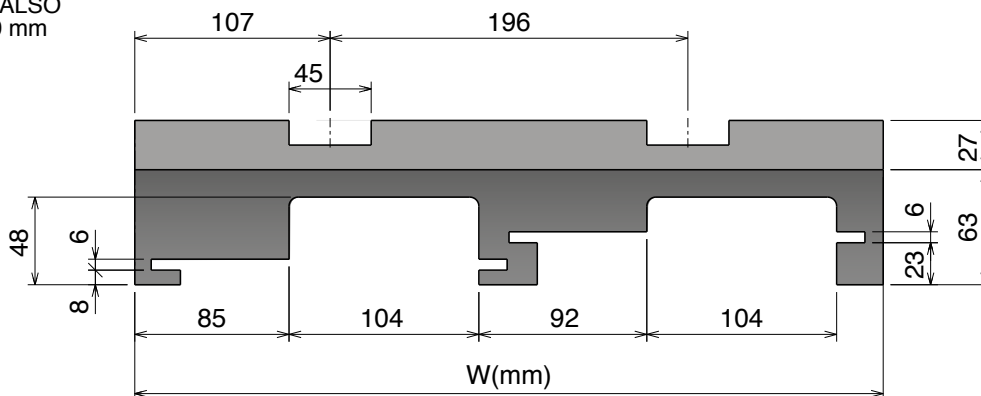


AVAILABLE ALSO  
 15° 30° 45°  
 60° 75°

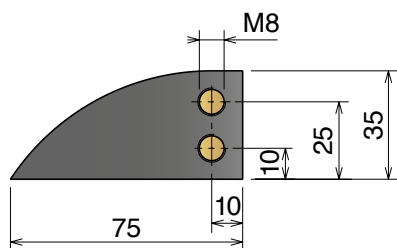
IN & OUT  
 AVAILABLE ALSO  
 100 mm - 50 mm  
 without



SINGLE TRACK




MULTI TRACK



Available in  
**BluLub®**


Upper part available, on request,  
 also in **BluLub®**  
 and for abrasive applications.

### MAGNETIC SYSTEM

Part	Article-Nr.	Tracks	W	Material
716	71613615	1	214	 <b>Standard</b> codes on table
716	71613625	2	410	
716	71613635	3	606	

add "B" for  
**BluLub®**

add "C"  
 for abrasive

Part	Article-Nr.	Tracks	W	Material
716	71613615RS	1	214	 <b>RS</b> add "RS" for RS-version
716	71613625RS	2	410	
716	71613635RS	3	606	

# 880-881 K750 M62/66/65 Series

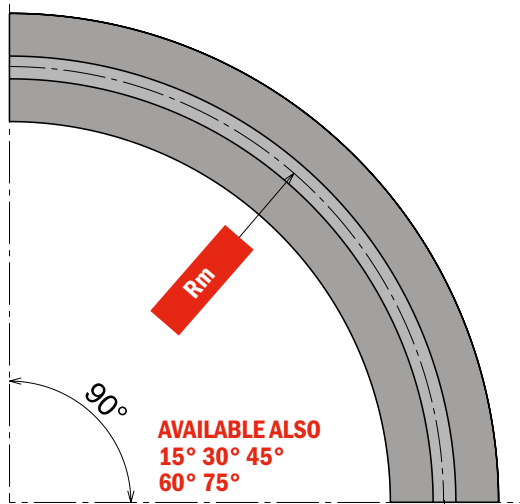
Curve magnetiche, Tab & Bevel / Magnetic, Tab & Bevel corner tracks / Kurvenführungen Magnet, Tab & Bevel Version

Materiale / Material / Materialien:  
 Polietilene UHMW-PE  
 Polyethylene UHMW-PE  
 Polyäthylen UHMW-PE

## 880-881 K750 M62/66/65 Series

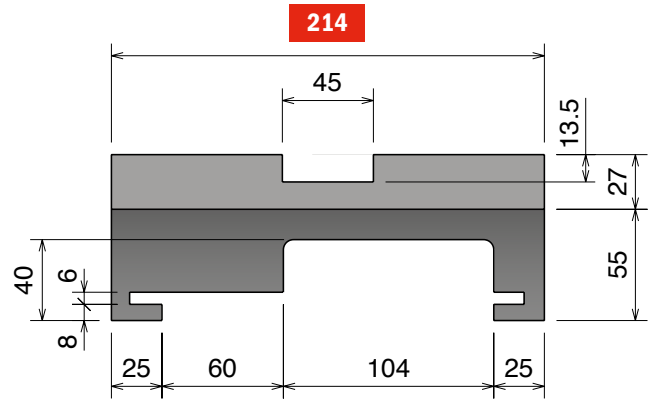
Chain Reference 880 M - K750 881 M - K750

Curva Larghezza Base = 214 mm  
 Curve Basic Width = 214 mm  
 Kurve Basisbreite = 214 mm

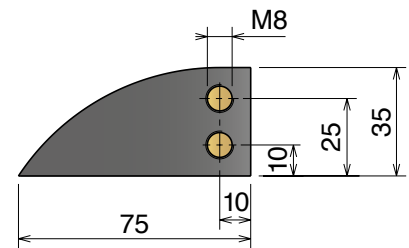


AVAILABLE ALSO  
 15° 30° 45°  
 60° 75°

IN & OUT  
 AVAILABLE ALSO  
 125 mm - 100 mm - 50 mm




Available in  
**BluLub®**



Upper part available, on request,  
 also in **BluLub®**  
 and for abrasive applications.

### MAGNETIC SYSTEM

Part	Article-Nr.	Tracks	W	R	Material
707	70716610	1	214	750	 <b>Standard</b> codes on table
707	70718610	1	214	860	
707	70719610	1	214	1000	

add "B" for  
**BluLub®**

add "C"  
 for abrasive

Part	Article-Nr.	Tracks	W	R	Material
707	70716610RS	1	214	750	 <b>RS</b> add "RS" for RS-version
707	70718610RS	1	214	860	
707	70719610RS	1	214	1000	

## 882 K750 M81 Series

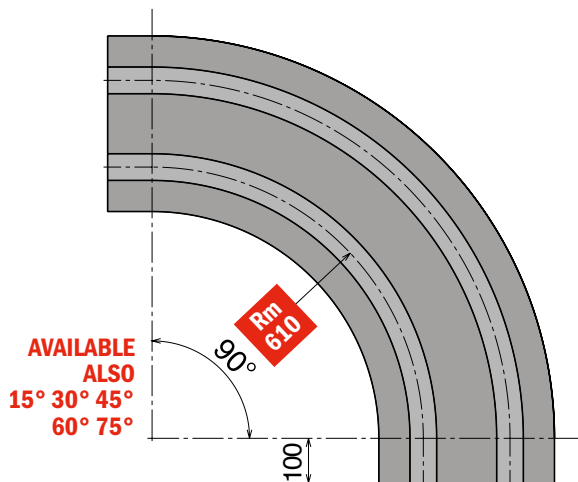
Chain Reference

882 M - K750

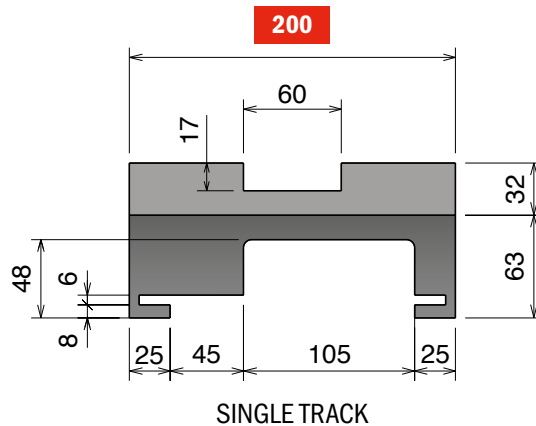
Curva Larghezza Base = 200 mm; Passo = 195 mm

Curve Basic Width = 200 mm; Pitch = 195 mm

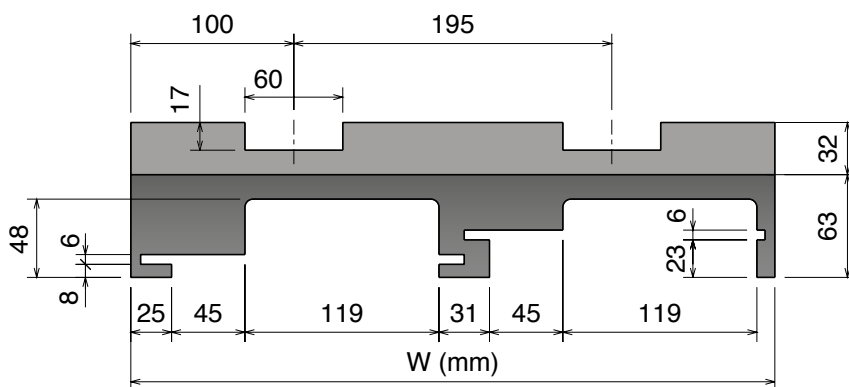
Kurve Basisbreite = 200 mm; Teilung = 195 mm



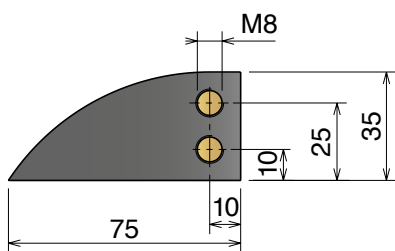
IN & OUT  
 AVAILABLE ALSO  
 125 mm - 50 mm - without



SINGLE TRACK



MULTI TRACK



Available in  
**BluLub®**

Upper part available, on request,  
 also in **BluLub®**  
 and for abrasive applications.

### MAGNETIC SYSTEM

Part	Article-Nr.	Tracks	W	Material
717	71713614	1	200	Standard codes on table
717	71713624	2	395	
717	71713634	3	590	add "B" for BluLub®
717	71713644	4	785	



Part	Article-Nr.	Tracks	W	Material
717	71713614RS	1	200	add "RS" for RS-version
717	71713624RS	2	395	
717	71713634RS	3	590	
717	71713644RS	4	785	



# 882-8857 K750 M85 Series

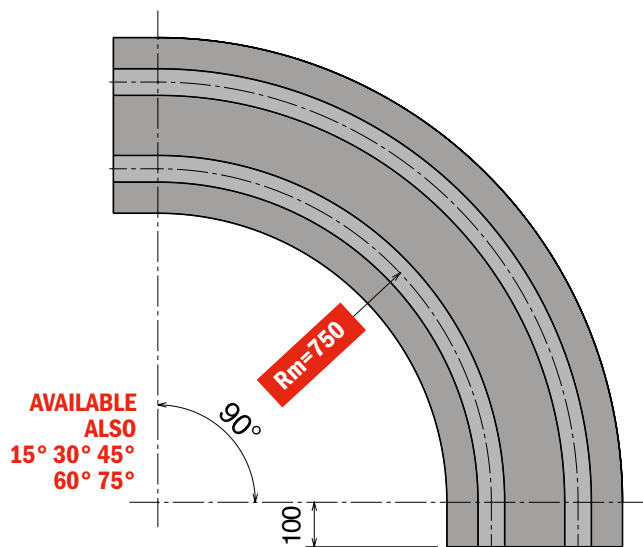
Curve magnetiche, Tab & Bevel / Magnetic, Tab & Bevel corner tracks / Kurvenführungen Magnet, Tab & Bevel Version

Materiale / Material / Materialien:  
 Polietilene UHMW-PE  
 Polyethylene UHMW-PE  
 Polyäthylen UHMW-PE

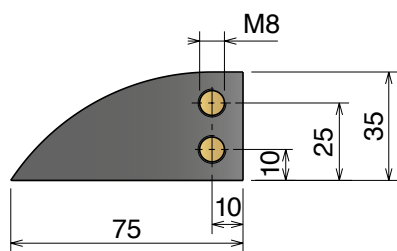
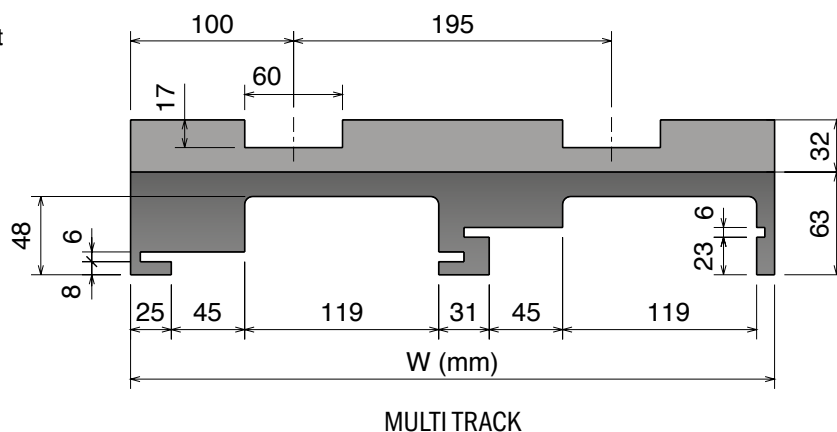
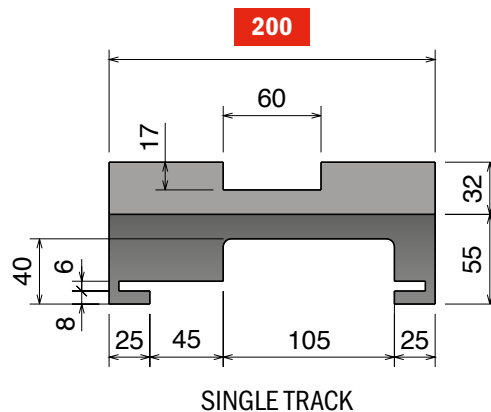
## 882-8857 K750 M85 Series

Chain Reference 882 M - K750 8857 M - K750

Curva Larghezza Base = 200 mm; Passo = 195 mm  
 Curve Basic Width = 200 mm; Pitch = 195 mm  
 Kurve Basisbreite = 200 mm; Teilung = 195 mm




IN & OUT  
 AVAILABLE ALSO  
 125 mm - 50 mm - without



Available in  
**BluLub®**

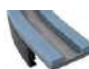
Upper part available, on request,  
 also in **BluLub®**  
 and for abrasive applications.

### MAGNETIC SYSTEM

Part	Article-Nr.	Tracks	W	Material
718	71816614	1	200	 <b>Standard</b> codes on table
718	71816624	2	395	
718	71816634	3	590	

add "B" for  
**BluLub®**

add "C"  
 for abrasive

Part	Article-Nr.	Tracks	W	Material
718	71816614RS	1	200	 <b>RS</b> add "RS" for RS-version
718	71816624RS	2	395	
718	71816634RS	3	590	

## 882-8857 K750 M86 Series

Chain Reference

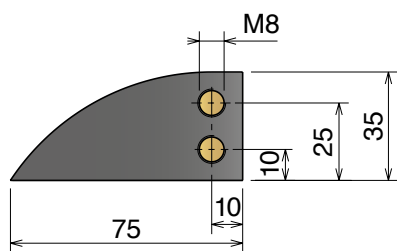
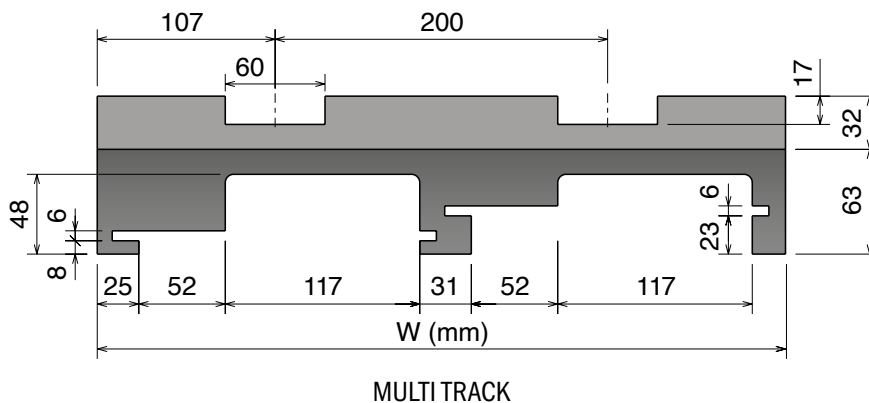
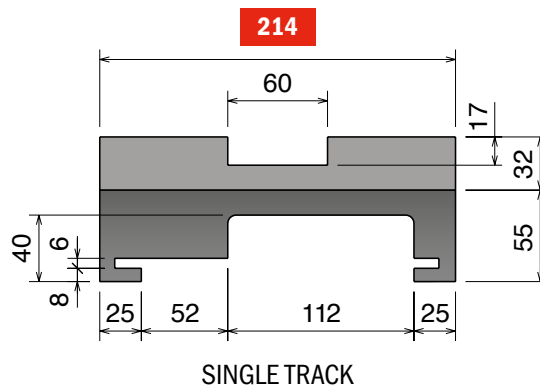
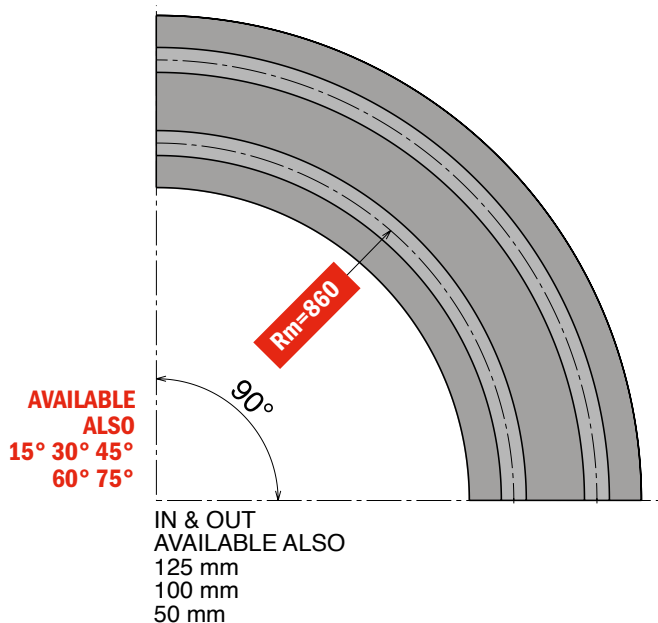
882 M - K750

8857 M - K750

Curva Larghezza Base = 214 mm; Passo = 200 mm

Curve Basic Width = 214 mm; Pitch = 200 mm


Kurve Basisbreite = 214 mm; Teilung = 200 mm



Available in  
**BluLub®**

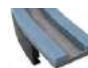
Upper part available, on request,  
 also in **BluLub®**  
 and for abrasive applications.

### MAGNETIC SYSTEM

Part	Article-Nr.	Tracks	W	Material
708	70818610	1	214	 <b>Standard</b> codes on table
708	70818620	2	414	
708	70818630	3	614	

add "B" for  
**BluLub®**

add "C"  
 for abrasive

Part	Article-Nr.	Tracks	W	Material
708	70818610RS	1	214	 <b>RS</b> add "RS" for RS-version
708	70818620RS	2	414	
708	70818630RS	3	614	

# 882-8857 K750 M80 Series

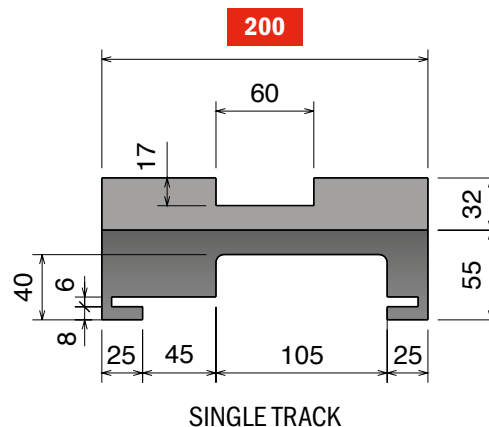
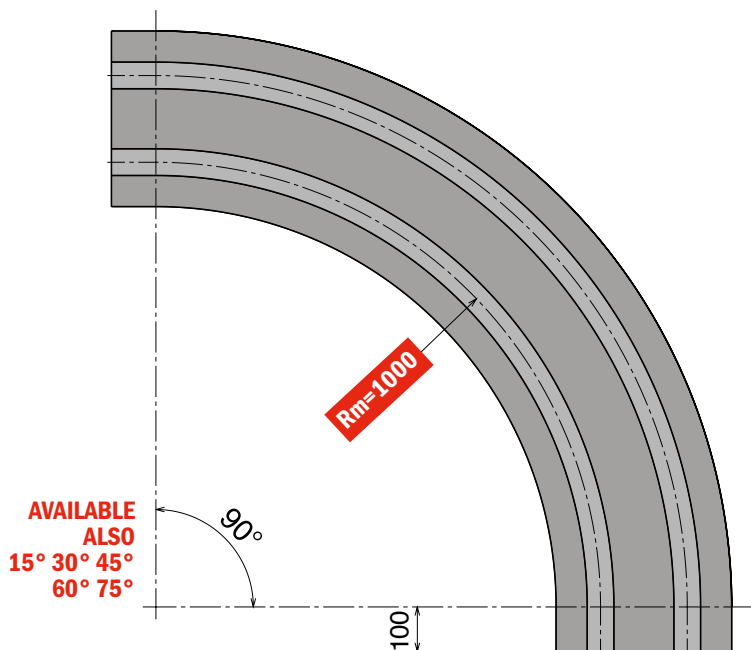
Curve magnetiche, Tab & Bevel / Magnetic, Tab & Bevel corner tracks / Kurvenführungen Magnet, Tab & Bevel Version

Materiale / Material / Materialien:  
 Polietilene UHMW-PE  
 Polyethylene UHMW-PE  
 Polyäthylen UHMW-PE

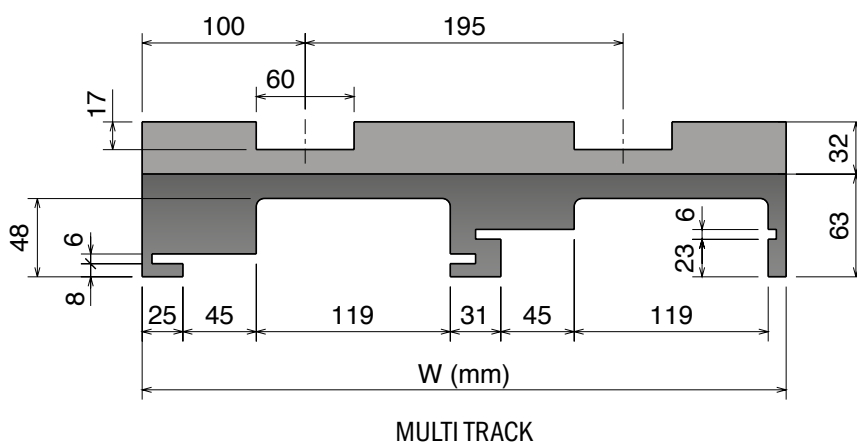
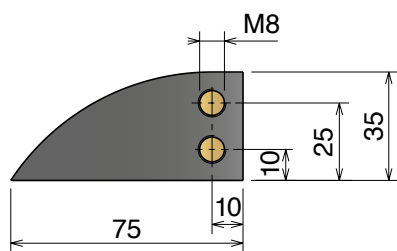
# 882-8857 K750 M80 Series

Chain Reference 882 M - K750 8857 M - K750

Curva Larghezza Base = 200 mm; Passo = 195 mm  
 Curve Basic Width = 200 mm; Pitch = 195 mm  
 Kurve Basisbreite = 200 mm; Teilung = 195 mm




IN & OUT  
 AVAILABLE ALSO  
 125 mm - 50 mm - without



Available in  
**BluLub®**


### MAGNETIC SYSTEM

Upper part available, on request,  
 also in **BluLub®**  
 and for abrasive applications.

Part	Article-Nr.	Tracks	W	Material
719	71919614	1	200	 <b>Standard</b> codes on table
719	71919624	2	395	
719	71919634	3	590	

add "B" for  
**BluLub®**

add "C"  
 for abrasive

Part	Article-Nr.	Tracks	W	Material
719	71919614RS	1	200	 <b>RS</b> add "RS" for RS-version
719	71919624RS	2	395	
719	71919634RS	3	590	

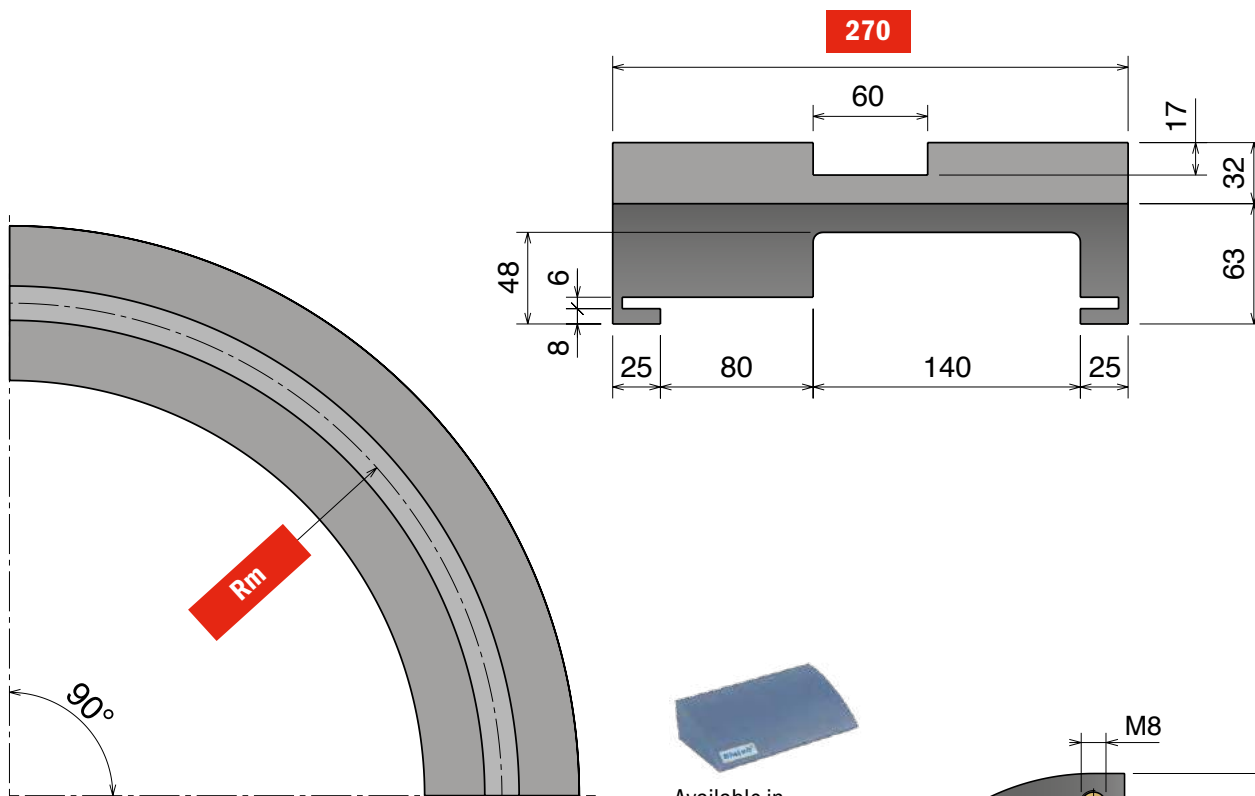
## 882 M K1000 M93/M94 Series

Chain Reference 882 M - K1000

Curva Larghezza Base = 270 mm

Curve Basic Width = 270 mm

Kurve Basisbreite = 270 mm

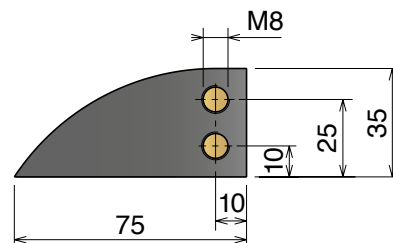


AVAILABLE  
 ALSO  
 15° 30° 45°  
 60° 75°

IN & OUT  
 AVAILABLE ALSO  
 125 mm - 100 mm - 50 mm




Available in  
**BluLub®**



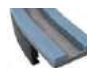
Upper part available, on request,  
 also in **BluLub®**  
 and for abrasive applications.

### MAGNETIC SYSTEM

Part	Article-Nr.	Tracks	Rm	W	Material
709	70918610	1	860	270	 <b>Standard</b> codes on table
709	70919610	1	1000	270	

add "B" for **BluLub®**

add "C" for abrasive

Part	Article-Nr.	Tracks	Rm	W	Material
709	70918610RS	1	860	270	 <b>RS</b> add "RS" for RS-version
709	70919610RS	1	1000	270	

# 882 M K1200 M97/M98 Series

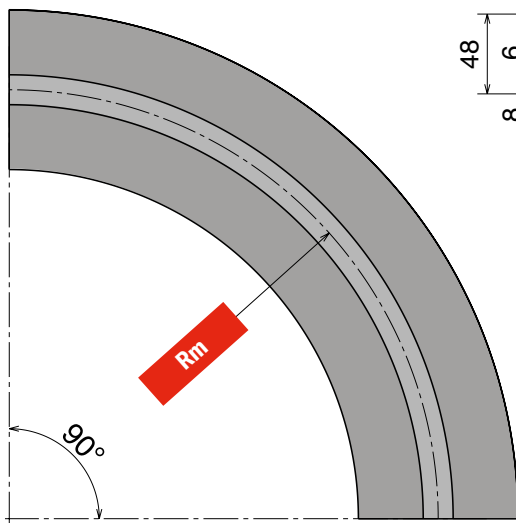
Curve magnetiche, Tab & Bevel / Magnetic, Tab & Bevel corner tracks / Kurvenführungen Magnet, Tab & Bevel Version

Materiale / Material / Materialien:  
 Polietilene UHMW-PE  
 Polyethylene UHMW-PE  
 Polyäthylen UHMW-PE

## 882 M K1200 M97/M98 Series

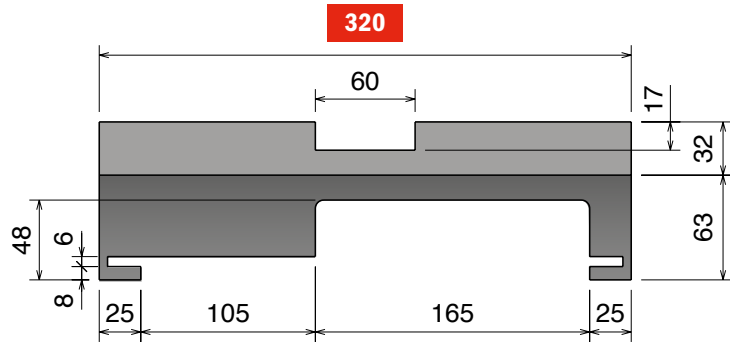
Chain Reference 882 M - K1200

Curva Larghezza Base = 320 mm  
 Curve Basic Width = 320 mm  
 Kurve Basisbreite = 320 mm

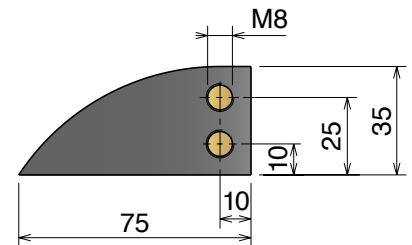


AVAILABLE  
 ALSO  
 15° 30° 45°  
 60° 75°

IN & OUT  
 AVAILABLE ALSO  
 125 mm - 100 mm - 50 mm




Available in  
**BluLub®**



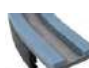
Upper part available, on request,  
 also in **BluLub®**  
 and for abrasive applications.

### MAGNETIC SYSTEM


Part	Article-Nr.	Tracks	Rm	W	Material
710	71018610	1	860	320	 <b>Standard</b> codes on table
710	71019610	1	1000	320	

add "B" for **BluLub®**

add "C" for abrasive

Part	Article-Nr.	Tracks	Rm	W	Material
710	71018610RS	1	860	320	 <b>RS</b> add "RS" for RS-version
710	71019610RS	1	1000	320	



 **Materiale / Material / Materialien:**  
 Polietilene UHMW-PE  
 Polyethylene UHMW-PE  
 Polyäthylen UHMW-PE

# 882 LBP K750 MP861 Series

Curve magnetiche, Tab & Bevel / Magnetic, Tab & Bevel corner tracks / Kurvenführungen Magnet, Tab & Bevel Version

## 882 LBP K750 MP861 Series

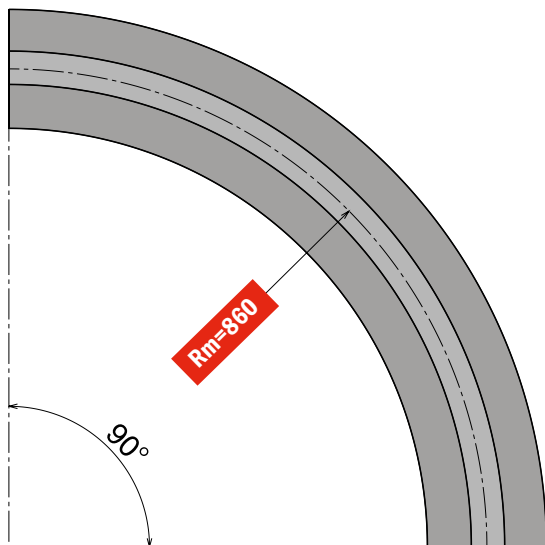
Chain Reference

882 M LBP - K750

Curva Larghezza Base = 214 mm

Curve Basic Width = 214 mm

Kurve Basisbreite = 214 mm



**AVAILABLE**

**ALSO**

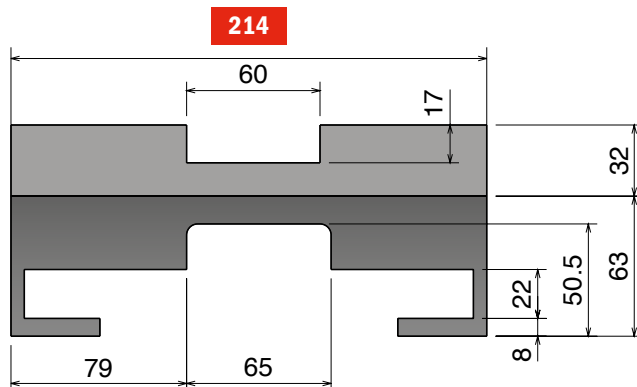
**15° 30° 45°**

**60° 75°**

**IN & OUT**

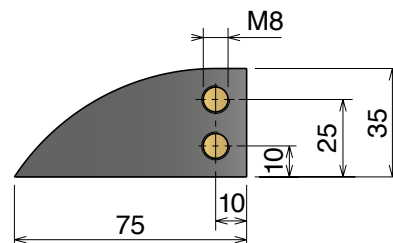
**AVAILABLE ALSO**

125 mm - 100 mm - 50 mm



Available in

**BluLub®**



Upper part available, on request,  
also in **BluLub®**  
and for abrasive applications.

### MAGNETIC SYSTEM

Part	Article-Nr.	Tracks	W	Material
781	78118610	1	214	 <b>Standard</b> codes on table



add "**B**" for **BluLub®**



add "**C**" for abrasive

Part	Article-Nr.	Tracks	W	Material
781	78118610RS	1	270	 <b>RS</b>

add "**RS**" for RS-version

# 882 LBP K1000 MP931/MP941 Series

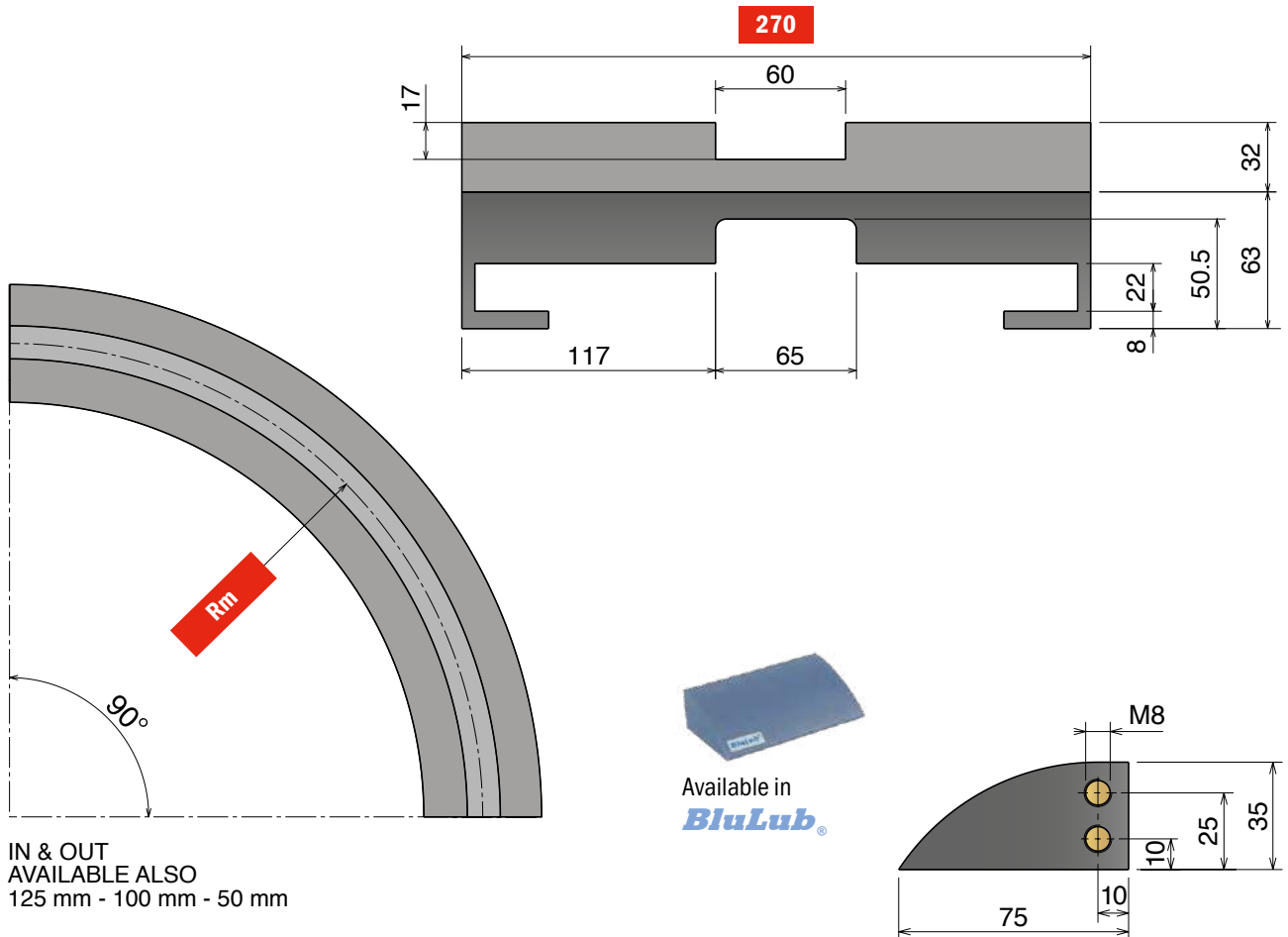
Curve magnetiche, Tab & Bevel / Magnetic, Tab & Bevel corner tracks / Kurvenführungen Magnet, Tab & Bevel Version

Materiale / Material / Materialien:  
 Polietilene UHMW-PE  
 Polyethylene UHMW-PE  
 Polyäthylen UHMW-PE

## 882 LBP K1000 MP931/MP941 Series

Chain Reference 882 M LBP - K1000

Curva Larghezza Base = 270 mm  
 Curve Basic Width = 270 mm  
 Kurve Basisbreite = 270 mm



**MAGNETIC SYSTEM**

Upper part available, on request, also in **BluLub** and for abrasive applications.

### MP931 Series

Part	$\alpha 15^\circ$	$\alpha 30^\circ$	$\alpha 45^\circ$	$\alpha 60^\circ$	$\alpha 75^\circ$	$\alpha 90^\circ$	Tracks	R	W
784	78418110	78418210	78418310	78418410	78418510	78418610	1	860	270
Material	Standard codes on table		add "B" for <b>BluLub</b>		add "C" for abrasive		add "RS" for <b>RS</b> -version		

### MP941 Series

Part	$\alpha 15^\circ$	$\alpha 30^\circ$	$\alpha 45^\circ$	$\alpha 60^\circ$	$\alpha 75^\circ$	$\alpha 90^\circ$	Tracks	R	W
784	78419110	78419210	78419310	78419410	78419510	78419610	1	1000	270
Material	Standard codes on table		add "B" for <b>BluLub</b>		add "C" for abrasive		add "RS" for <b>RS</b> -version		

## 882 LBP K1000 MP91 Series

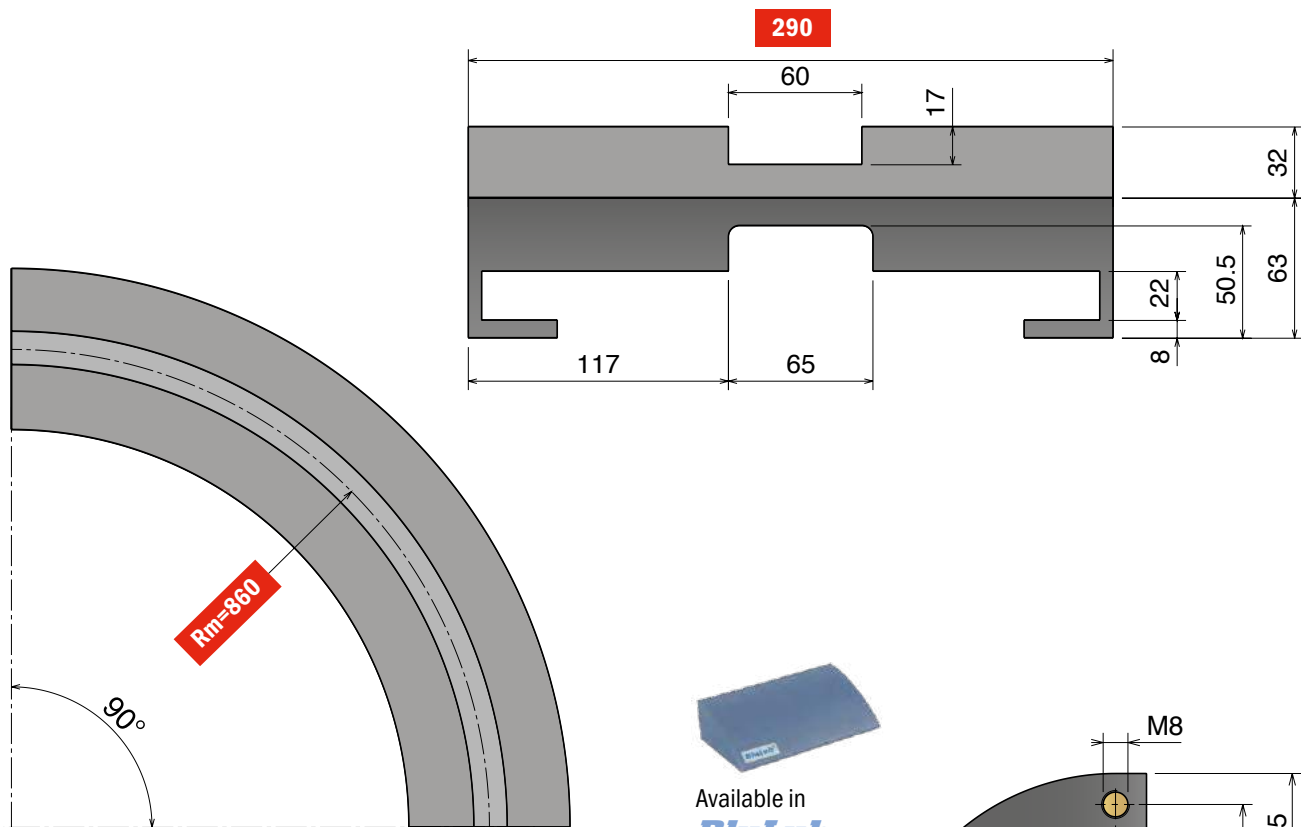
Chain Reference

882 M LBP - K1000

Curva Larghezza Base = 290 mm

Curve Basic Width = 290 mm

Kurve Basisbreite = 290 mm

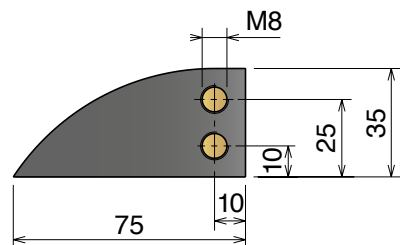


AVAILABLE  
 ALSO  
 15° 30° 45°  
 60° 75°

IN & OUT  
 AVAILABLE ALSO  
 125 mm - 100 mm - 50 mm




Available in  
**BluLub®**



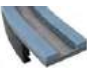
Upper part available, on request,  
 also in **BluLub®**  
 and for abrasive applications.

### MAGNETIC SYSTEM

Part	Article-Nr.	Tracks	W	Material
782	78218610	1	290	 Standard codes on table

add "B" for  
**BluLub®**

add "C" for  
 abrasive

Part	Article-Nr.	Tracks	W	Material
782	78218610RS	1	290	 <b>RS</b>

add "RS" for  
 RS-version

# 882 LBP K1200 MP971/MP981 Series

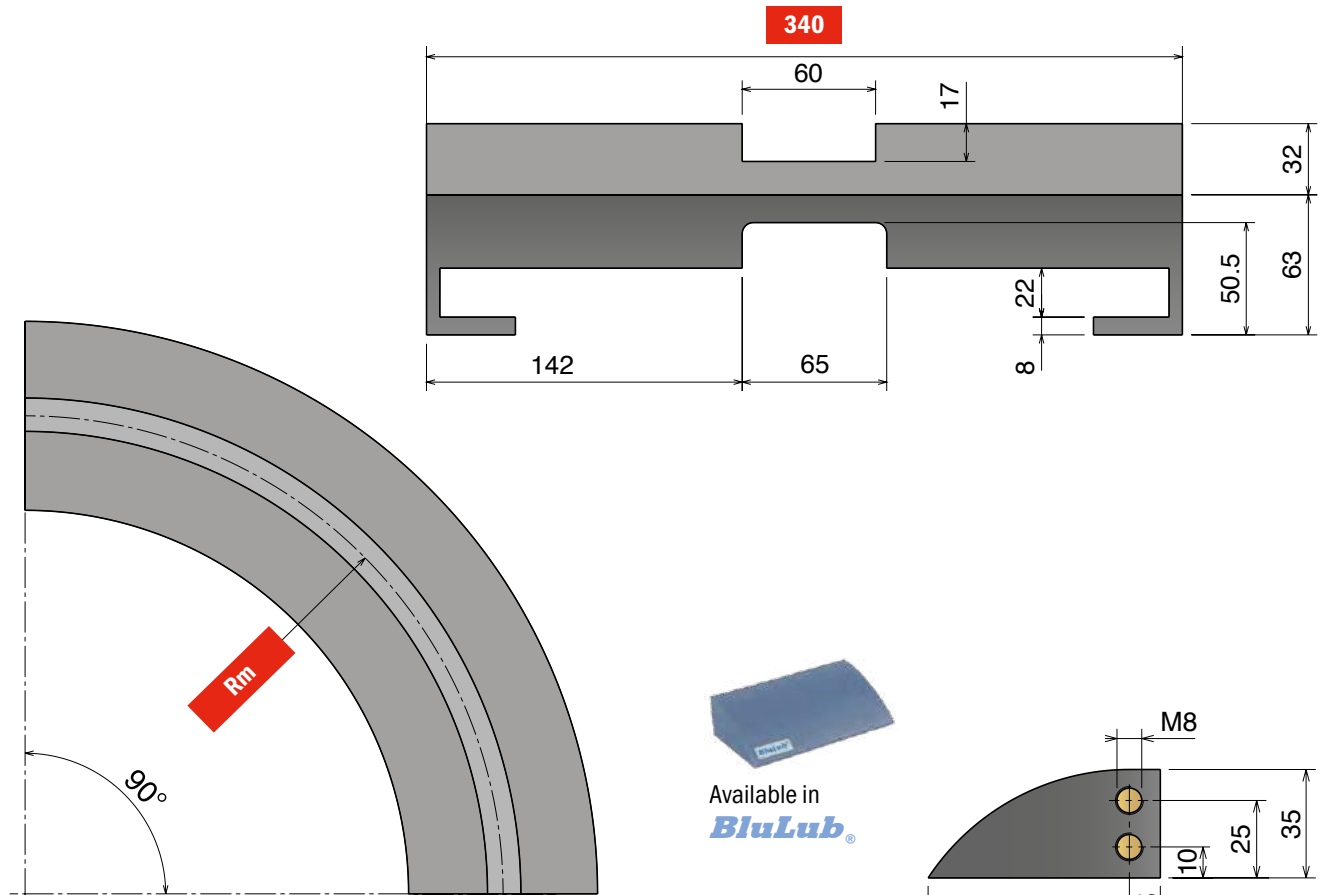
Curve magnetiche, Tab & Bevel / Magnetic, Tab & Bevel corner tracks / Kurvenführungen Magnet, Tab & Bevel Version

Materiale / Material / Materialien:  
 Polietilene UHMW-PE  
 Polyethylene UHMW-PE  
 Polyäthylen UHMW-PE

## 882 LBP K1200 MP971/MP981 Series

Chain Reference 882 M LBP - K1200

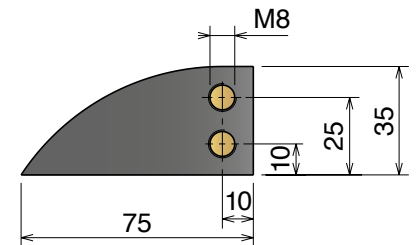
Curva Larghezza Base = 340 mm  
 Curve Basic Width = 340 mm  
 Kurve Basisbreite = 340 mm



**AVAILABLE ALSO**  
 15° 30° 45°  
 60° 75°


IN & OUT  
 AVAILABLE ALSO  
 125 mm - 100 mm - 50 mm

Available in  
**BluLub®**



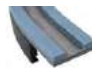
Upper part available, on request,  
 also in **BluLub®**  
 and for abrasive applications.

### MAGNETIC SYSTEM

Part	Article-Nr.	Tracks	Rm	W	Material
783	78318610	1	860	340	 <b>Standard</b> codes on table
783	78319610	1	1000	340	

add "B" for  
**BluLub®**

add "C"  
 for abrasive

Part	Article-Nr.	Tracks	Rm	W	Material
783	78318610RS	1	860	340	 <b>RS</b> add "RS" for RS-version
783	78319610RS	1	1000	340	

## 260 M MB7 Series

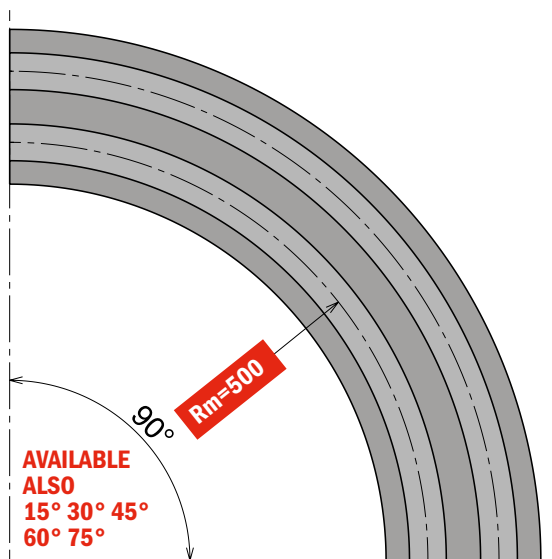
Chain Reference

260 M - K330

Curva Larghezza Base = 100 mm; Passo = 85 mm

Curve Basic Width = 100 mm; Pitch = 85 mm

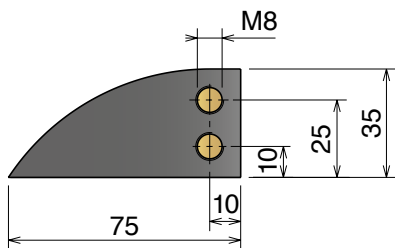
Kurve Basisbreite = 100 mm; Teilung = 85 mm



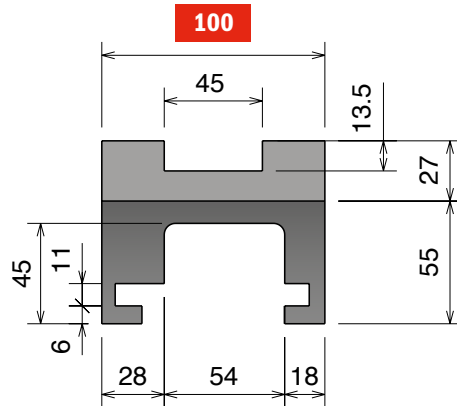
AVAILABLE ALSO  
 15° 30° 45°  
 60° 75°

IN & OUT  
 AVAILABLE ALSO  
 125 mm - 100 mm - 50 mm

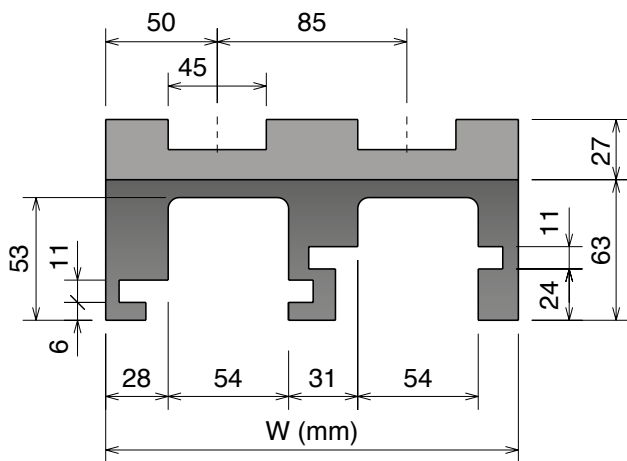
85



Available in  
**BluLub®**



SINGLE TRACK



MULTI TRACK

Upper part available, on request,  
 also in **BluLub®**  
 and for abrasive applications.

### MAGNETIC SYSTEM

Part	Article-Nr.	Tracks	W	Material
705	70511610	1	100	Standard codes on table
705	70511620	2	185	
705	70511630	3	270	add "B" for BluLub®
705	70511640	4	355	
705	70511650	5	440	add "C" for abrasive
705	70511660	6	525	
705	70511670	7	610	
705	70511680	8	695	

Part	Article-Nr.	Tracks	W	Material
705	70511610RS	1	100	add "RS" for RS-version
705	70511620RS	2	185	
705	70511630RS	3	270	
705	70511640RS	4	355	
705	70511650RS	5	440	
705	70511660RS	6	525	
705	70511670RS	7	610	
705	70511680RS	8	695	

# 260 M MB6 Series

Curve magnetiche, Tab & Bevel / Magnetic, Tab & Bevel corner tracks / Kurvenführungen Magnet, Tab & Bevel Version

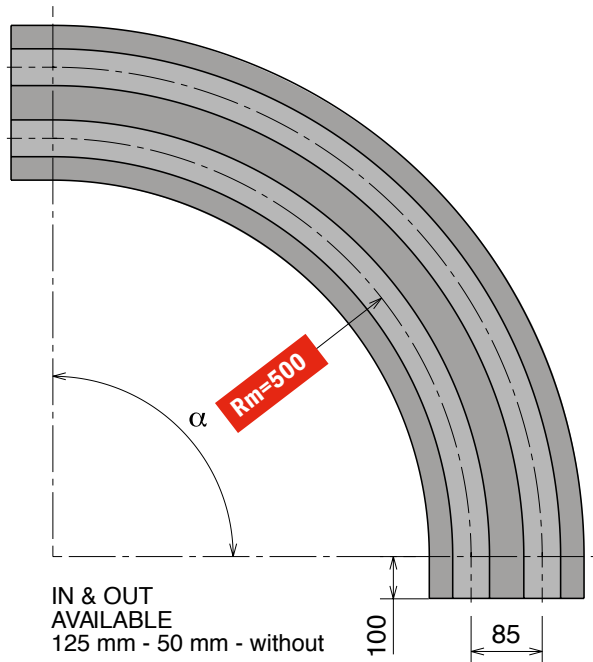
Materiale / Material / Materialien:  
 Polietilene UHMW-PE  
 Polyethylene UHMW-PE  
 Polyäthylen UHMW-PE

## 260 M MB6 Series

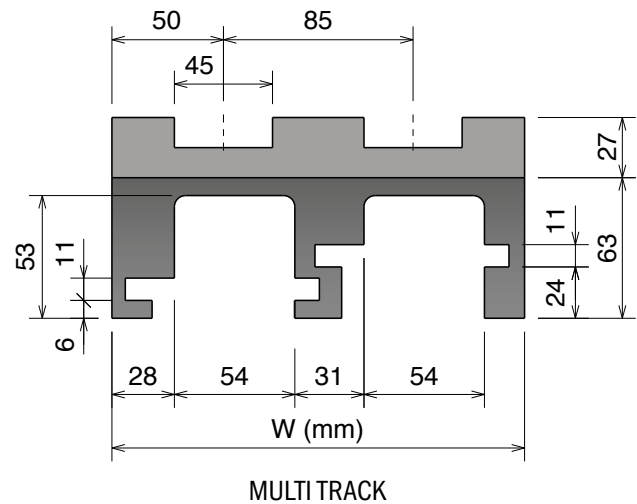
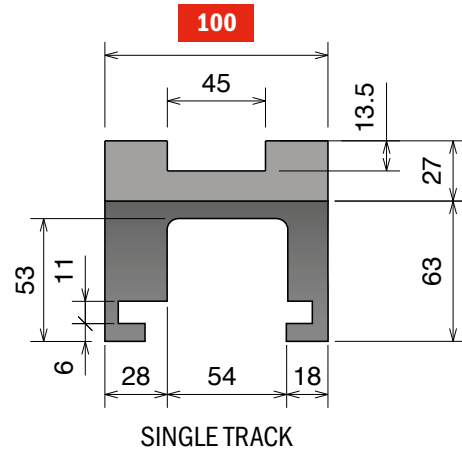
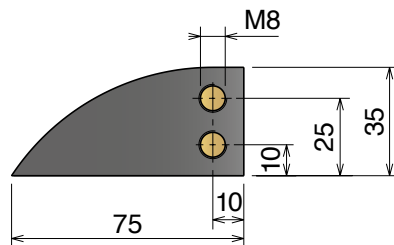
Chain Reference

260 M - K330

Curva Larghezza Base = 100 mm; Passo = 85 mm  
 Curve Basic Width = 100 mm; Pitch = 85 mm  
 Kurve Basisbreite = 100 mm; Teilung = 85 mm






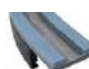
Available in  
**BluLub**



Upper part available, on request,  
 also in **BluLub**  
 and for abrasive applications.

### MAGNETIC SYSTEM

Part	$\alpha$ 15°	$\alpha$ 30°	$\alpha$ 45°	$\alpha$ 60°	$\alpha$ 75°	$\alpha$ 90°	Tracks	W	Material
732	73211114	73211214	73211314	73211414	73211514	73211614	1	100	 <b>Standard</b> codes on table
732	73211124	73211224	73211324	73211424	73211524	73211624	2	185	
732	73211134	73211234	73211334	73211434	73211534	73211634	3	270	 add "B" for <b>BluLub</b>
732	73211144	73211244	73211344	73211444	73211544	73211644	4	355	
732	73211154	73211254	73211354	73211454	73211554	73211654	5	440	 add "C" for abrasive
732	73211164	73211264	73211364	73211464	73211564	73211664	6	525	
732	73211174	73211274	73211374	73211474	73211574	73211674	7	610	
732	73211184	73211284	73211384	73211484	73211584	73211684	8	695	

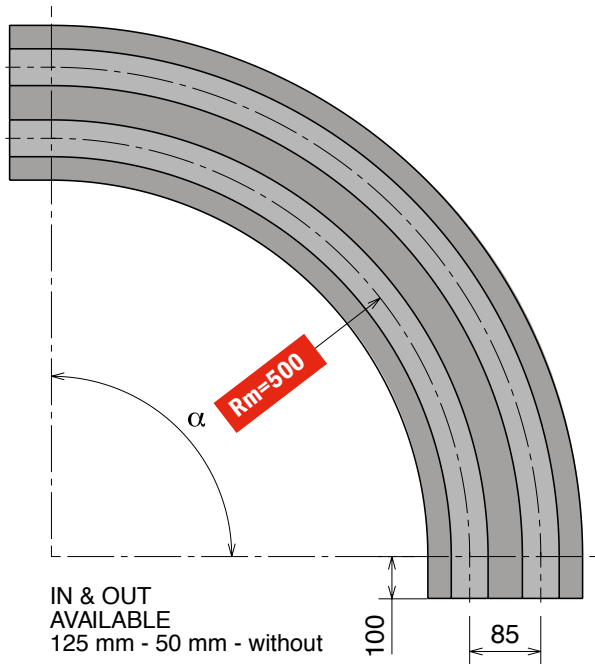
Part	$\alpha$ 15°	$\alpha$ 30°	$\alpha$ 45°	$\alpha$ 60°	$\alpha$ 75°	$\alpha$ 90°	Tracks	W	Material
732	73211114RS	73211214RS	73211314RS	73211414RS	73211514RS	73211614RS	1	100	 <b>RS</b> add "RS" for RS-version
732	73211124RS	73211224RS	73211324RS	73211424RS	73211524RS	73211624RS	2	185	
732	73211134RS	73211234RS	73211334RS	73211434RS	73211534RS	73211634RS	3	270	
732	73211144RS	73211244RS	73211344RS	73211444RS	73211544RS	73211644RS	4	355	
732	73211154RS	73211254RS	73211354RS	73211454RS	73211554RS	73211654RS	5	440	
732	73211164RS	73211264RS	73211364RS	73211464RS	73211564RS	73211664RS	6	525	
732	73211174RS	73211274RS	73211374RS	73211474RS	73211574RS	73211674RS	7	610	
732	73211184RS	73211284RS	73211384RS	73211484RS	73211584RS	73211684RS	8	695	

## 260 M MB4 Series

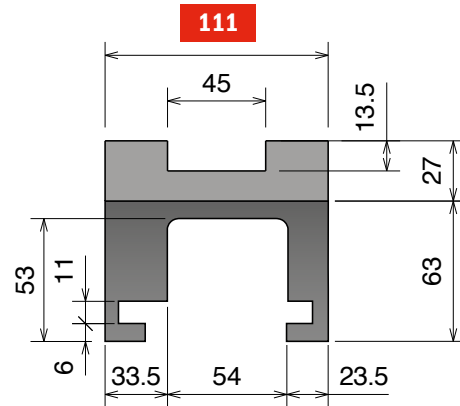
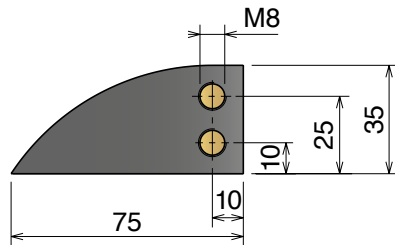
Chain Reference

260 M - K330

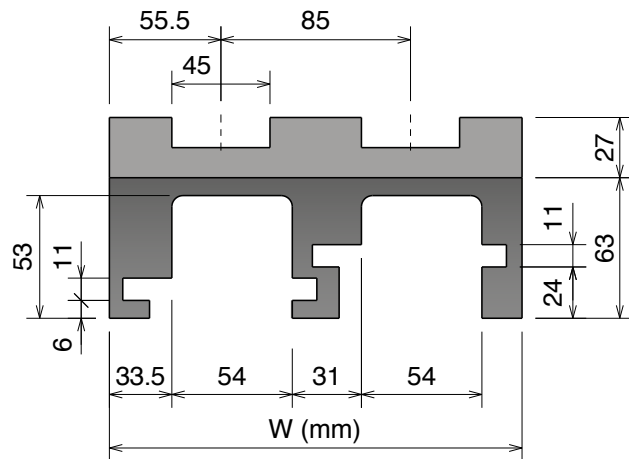
Curva Larghezza Base = 111 mm; Passo = 85 mm  
 Curve Basic Width = 111 mm; Pitch = 85 mm  
 Kurve Basisbreite = 111 mm; Teilung = 85 mm



Available in  
**BluLub**



SINGLE TRACK



MULTI TRACK

Upper part available, on request,  
 also in **BluLub**  
 and for abrasive applications.

### MAGNETIC SYSTEM

Part	$\alpha 15^\circ$	$\alpha 30^\circ$	$\alpha 45^\circ$	$\alpha 60^\circ$	$\alpha 75^\circ$	$\alpha 90^\circ$	Tracks	W	Material
733	73311114	73311214	73311314	73311414	73311514	73311614	1	111	Standard codes on table
733	73311124	73311224	73311324	73311424	73311524	73311624	2	196	
733	73311134	73311234	73311334	73311434	73311534	73311634	3	281	add "B" for <b>BluLub</b>
733	73311144	73311244	73311344	73311444	73311544	73311644	4	366	
733	73311154	73311254	73311354	73311454	73311554	73311654	5	451	add "C" for abrasive
733	73311164	73311264	73311364	73311464	73311564	73311664	6	536	
733	73311174	73311274	73311374	73311474	73311574	73311674	7	621	
733	73311184	73311284	73311384	73311484	73311584	73311684	8	706	

Part	$\alpha 15^\circ$	$\alpha 30^\circ$	$\alpha 45^\circ$	$\alpha 60^\circ$	$\alpha 75^\circ$	$\alpha 90^\circ$	Tracks	W	Material
733	73311114RS	73311214RS	73311314RS	73311414RS	73311514RS	73311614RS	1	111	add "RS" for RS-version
733	73311124RS	73311224RS	73311324RS	73311424RS	73311524RS	73311624RS	2	196	
733	73311134RS	73311234RS	73311334RS	73311434RS	73311534RS	73311634RS	3	281	
733	73311144RS	73311244RS	73311344RS	73311444RS	73311544RS	73311644RS	4	366	
733	73311154RS	73311254RS	73311354RS	73311454RS	73311554RS	73311654RS	5	451	
733	73311164RS	73311264RS	73311364RS	73311464RS	73311564RS	73311664RS	6	536	
733	73311174RS	73311274RS	73311374RS	73311474RS	73311574RS	73311674RS	7	621	
733	73311184RS	73311284RS	73311384RS	73311484RS	73311584RS	73311684RS	8	706	

# 260 M MB8 Series

Curve magnetiche, Tab & Bevel / Magnetic, Tab & Bevel corner tracks / Kurvenführungen Magnet, Tab & Bevel Version

Materiale / Material / Materialien:  
 Polietilene UHMW-PE  
 Polyethylene UHMW-PE  
 Polyäthylen UHMW-PE

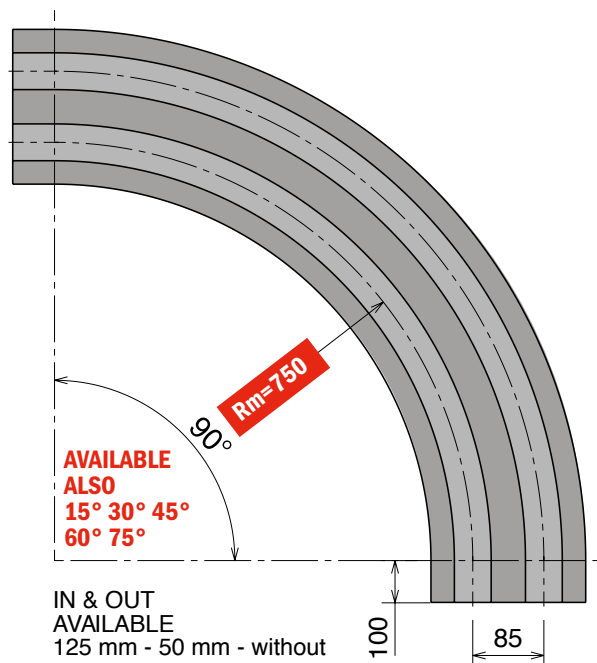
## 260 M MB8 Series

Chain Reference 260 M - K330

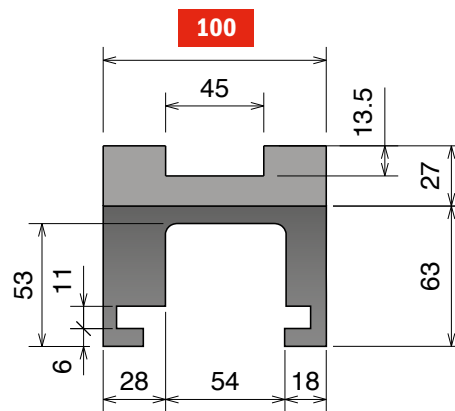
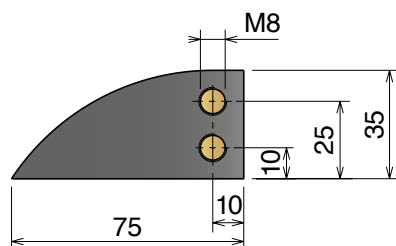
Curva Larghezza Base = 100 mm; Passo = 85 mm

Curve Basic Width = 100 mm; Pitch = 85 mm

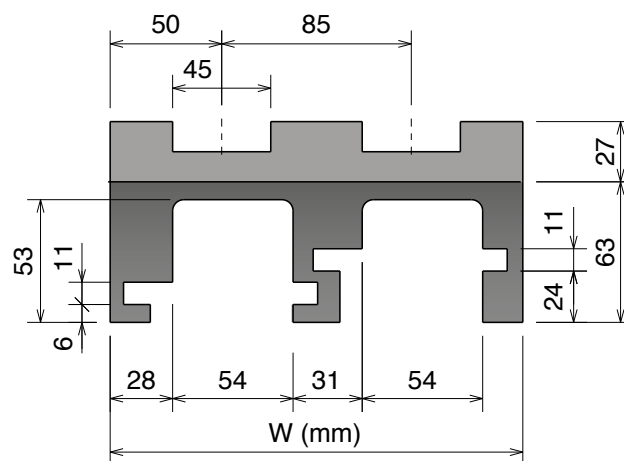
Kurve Basisbreite = 100 mm; Teilung = 85 mm



Available in **BluLub**



SINGLE TRACK

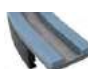


MULTI TRACK

Upper part available, on request, also in **BluLub** and for abrasive applications.

### MAGNETIC SYSTEM

Part	Article-Nr.	Tracks	W	Material
732	73216614	1	100	 <b>Standard</b> codes on table
732	73216624	2	185	
732	73216634	3	270	 add "B" for <b>BluLub</b>
732	73216644	4	355	
732	73216654	5	440	 add "C" for abrasive
732	73216664	6	525	
732	73216674	7	610	
732	73216684	8	695	

Part	Article-Nr.	Tracks	W	Material
732	73216614RS	1	100	 <b>RS</b> add "RS" for RS-version
732	73216624RS	2	185	
732	73216634RS	3	270	
732	73216644RS	4	355	
732	73216654RS	5	440	
732	73216664RS	6	525	
732	73216674RS	7	610	
732	73216684RS	8	695	

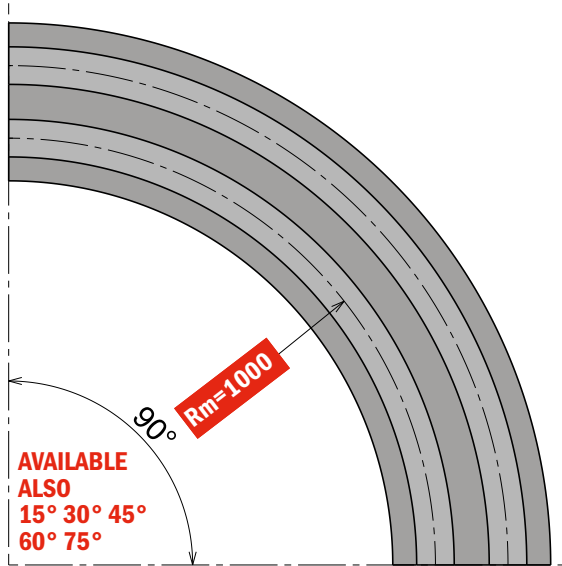


## 260 M MB5D Series

Chain Reference

260 M - K330

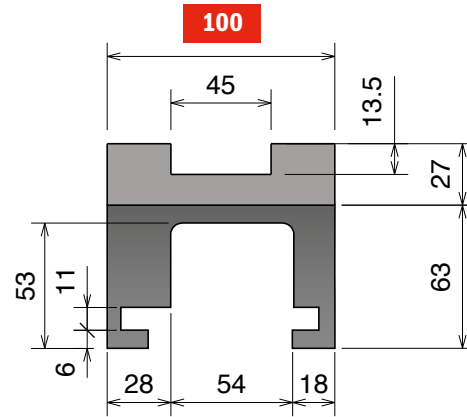
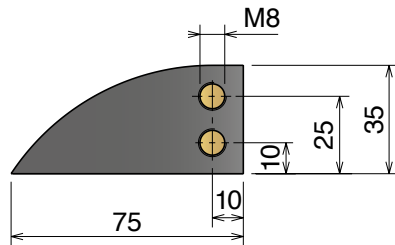
Curva Larghezza Base = 100 mm; Passo = 85 mm  
 Curve Basic Width = 100 mm; Pitch = 85 mm  
 Kurve Basisbreite = 100 mm; Teilung = 85 mm



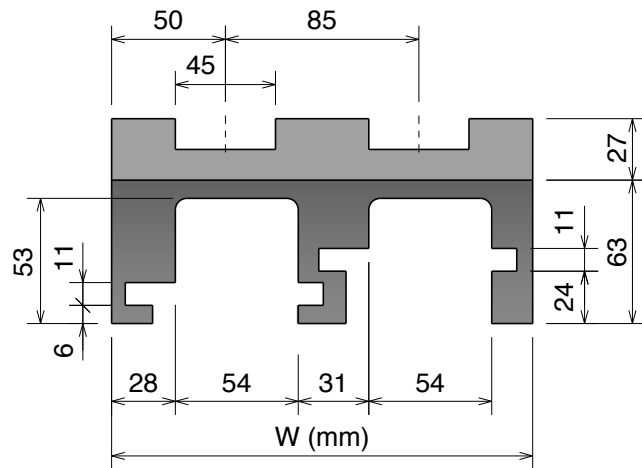
IN & OUT  
 AVAILABLE ALSO  
 125 mm - 100 mm - 50 mm



Available in  
**BluLub®**



SINGLE TRACK



MULTI TRACK

Upper part available, on request,  
 also in **BluLub®**  
 and for abrasive applications.

### MAGNETIC SYSTEM

Part	Article-Nr.	Tracks	W	Material
732	73219610	1	100	Standard codes on table
732	73219620	2	185	
732	73219630	3	270	add "B" for BluLub®
732	73219640	4	355	
732	73219650	5	440	add "C" for abrasive
732	73219660	6	525	
732	73219670	7	610	
732	73219680	8	695	

Part	Article-Nr.	Tracks	W	Material
732	73219610RS	1	100	add "RS" for RS-version
732	73219620RS	2	185	
732	73219630RS	3	270	
732	73219640RS	4	355	
732	73219650RS	5	440	
732	73219660RS	6	525	
732	73219670RS	7	610	
732	73219680RS	8	695	

# 260 M K450 MB22 Series

Curve magnetiche, Tab & Bevel / Magnetic, Tab & Bevel corner tracks / Kurvenführungen Magnet, Tab & Bevel Version

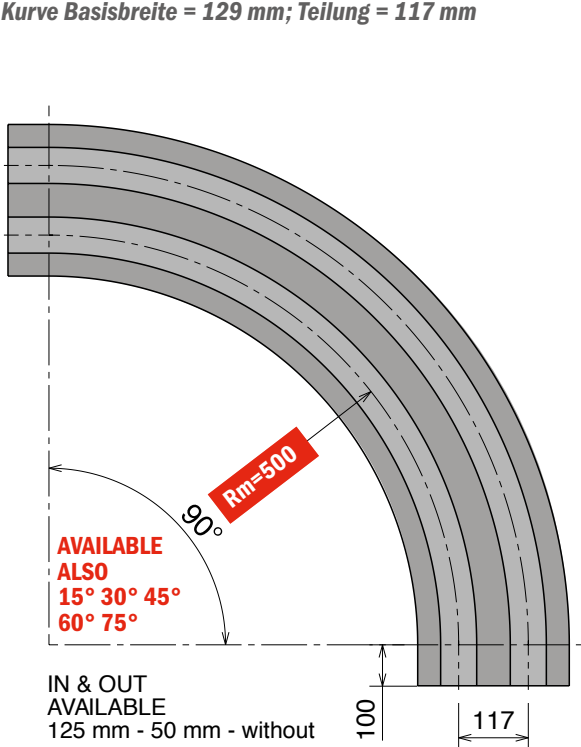
Materiale / Material / Materialien:  
 Polietilene UHMW-PE  
 Polyethylene UHMW-PE  
 Polyäthylen UHMW-PE

## 260 M K450 MB22 Series

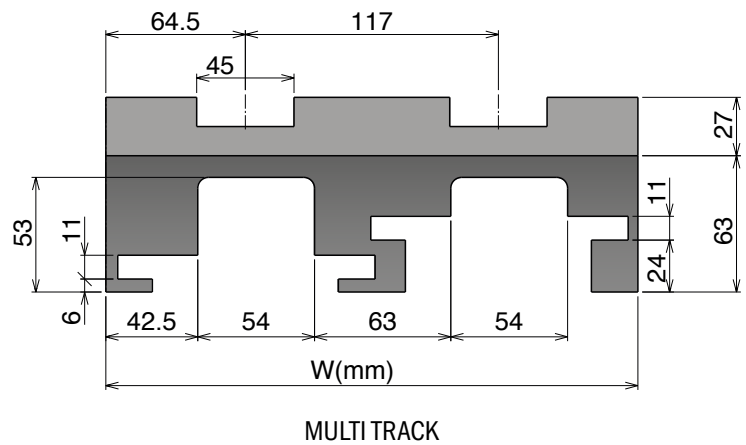
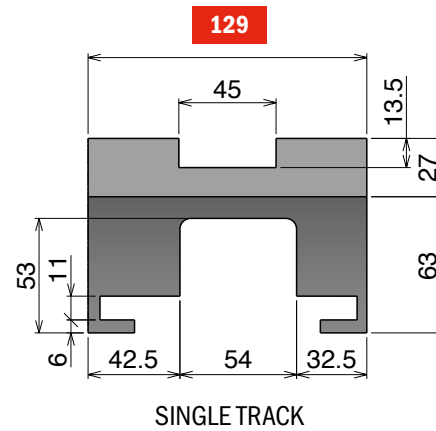
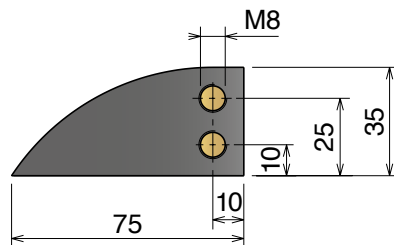
Chain Reference

260 M - K450

Curva Larghezza Base = 129 mm; Passo = 117 mm  
 Curve Basic Width = 129 mm; Pitch = 117 mm  
 Kurve Basisbreite = 129 mm; Teilung = 117 mm



Available in **BluLub**®



Upper part available, on request, also in **BluLub**® and for abrasive applications.

### MAGNETIC SYSTEM

Part	Article-Nr.	Tracks	W	Material
734	73411614	1	129	 <b>Standard</b> codes on table
734	73411624	2	246	
734	73411634	3	363	 add "B" for <b>BluLub</b> ®
734	73411644	4	480	
				 add "C" for abrasive
Part	Article-Nr.	Tracks	W	Material
734	73411614RS	1	129	 <b>RS</b> add "RS" for RS-version
734	73411624RS	2	246	
734	73411634RS	3	363	
734	73411644RS	4	480	

## 260 M K450 MB27 Series

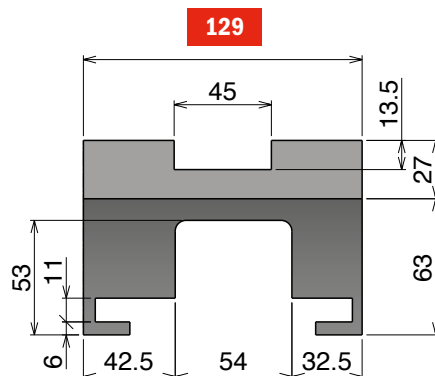
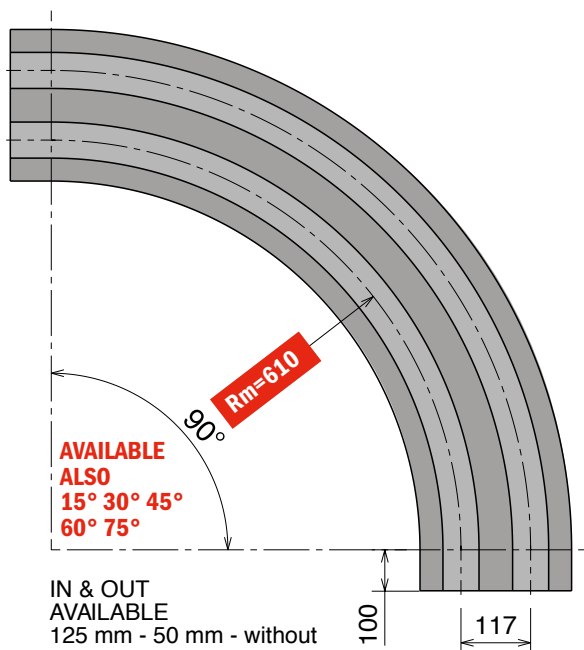
Chain Reference

260 M - K450

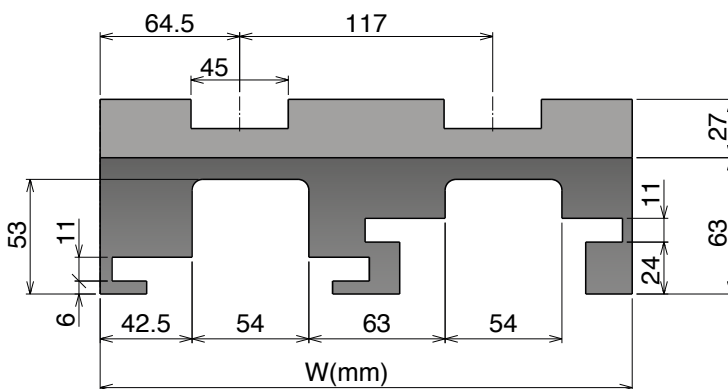
Curva Larghezza Base = 129 mm; Passo = 117 mm

Curve Basic Width = 129 mm; Pitch = 117 mm

Kurve Basisbreite = 129 mm; Teilung = 117 mm



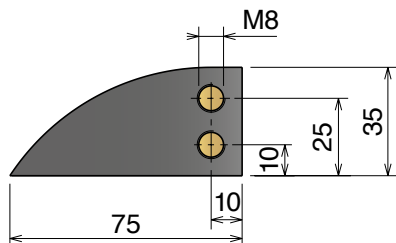
SINGLE TRACK



W(mm)  
MULTI TRACK

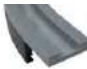




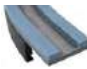
Available in  
**BluLub®**



Upper part available, on request,  
 also in **BluLub®**  
 and for abrasive applications.

### MAGNETIC SYSTEM

Part	Article-Nr.	Tracks	W	Material
734	73413614	1	129	 <b>Standard</b> codes on table  add "B" for <b>BluLub®</b>  add "C" for abrasive
734	73413624	2	246	
734	73413634	3	363	
734	73413644	4	480	

Part	Article-Nr.	Tracks	W	Material
734	73413614RS	1	129	 <b>RS</b> add "RS" for RS-version
734	73413624RS	2	246	
734	73413634RS	3	363	
734	73413644RS	4	480	

# 261 M MC7 Series

Curve magnetiche, Tab & Bevel / Magnetic, Tab & Bevel corner tracks / Kurvenführungen Magnet, Tab & Bevel Version

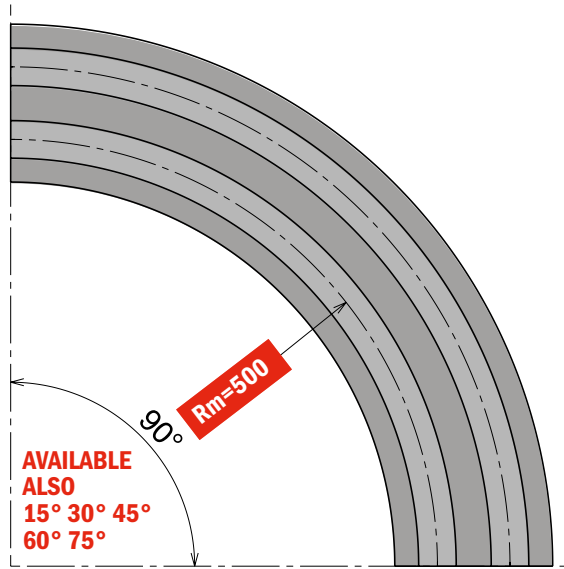
Materiale / Material / Materialien:  
 Polietilene UHMW-PE  
 Polyethylene UHMW-PE  
 Polyäthylen UHMW-PE

## 261 M MC7 Series

Chain Reference

261 M - K330

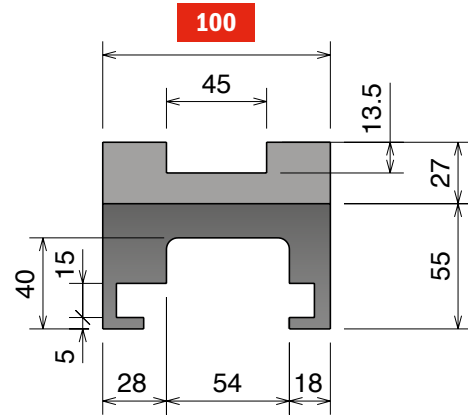
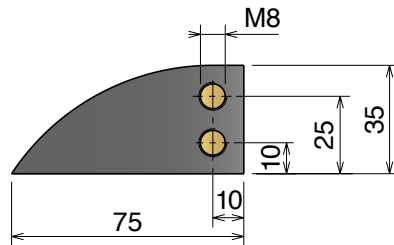
Curva Larghezza Base = 100 mm; Passo = 85 mm  
 Curve Basic Width = 100 mm; Pitch = 85 mm  
 Kurve Basisbreite = 100 mm; Teilung = 85 mm



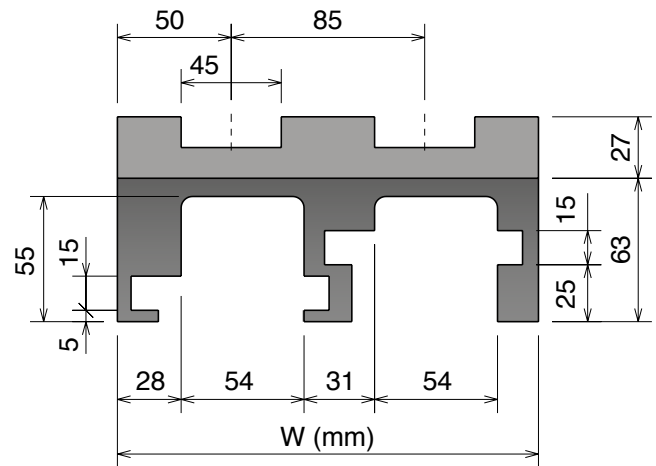
IN & OUT  
 AVAILABLE ALSO  
 125 mm - 100 mm - 50 mm



Available in  
**BluLub®**



SINGLE TRACK



MULTI TRACK

Upper part available, on request,  
 also in **BluLub®**  
 and for abrasive applications.

### MAGNETIC SYSTEM

Part	Article-Nr.	Tracks	W	Material
706	70611610	1	100	Standard codes on table
706	70611620	2	185	
706	70611630	3	270	add "B" for BluLub®
706	70611640	4	355	
706	70611650	5	440	add "C" for abrasive
706	70611660	6	525	
706	70611670	7	610	
706	70611680	8	695	

Part	Article-Nr.	Tracks	W	Material
706	70611610RS	1	100	add "RS" for RS-version
706	70611620RS	2	185	
706	70611630RS	3	270	
706	70611640RS	4	355	
706	70611650RS	5	440	
706	70611660RS	6	525	
706	70611670RS	7	610	
706	70611680RS	8	695	

## 261 M MC6 Series

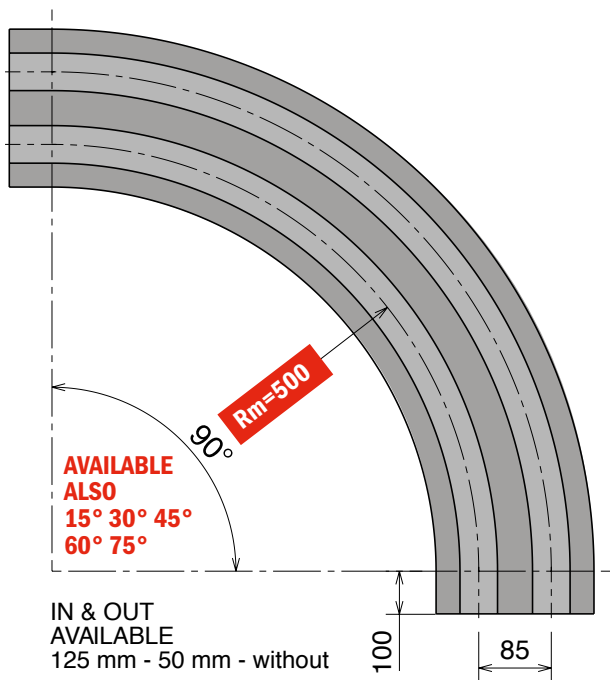
Chain Reference

261 M - K330

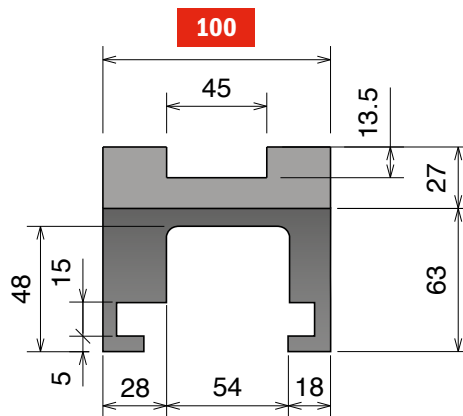
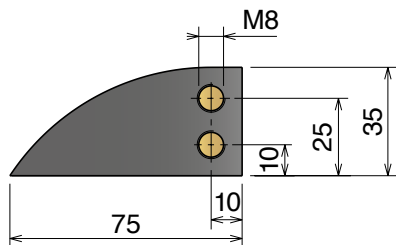
Curva Larghezza Base = 100 mm; Passo = 85 mm

Curve Basic Width = 100 mm; Pitch = 85 mm

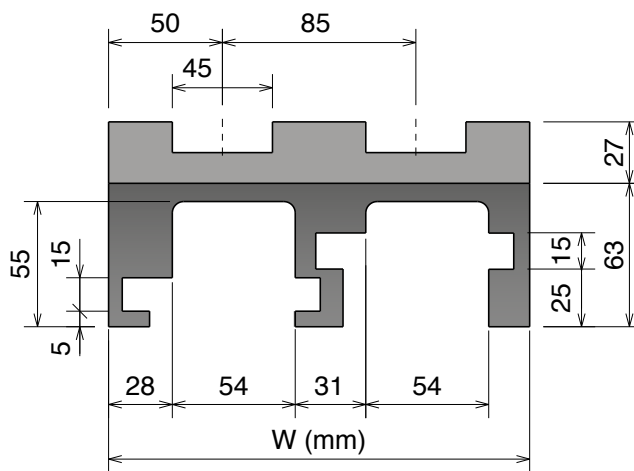
Kurve Basisbreite = 100 mm; Teilung = 85 mm



Available in **BluLub®**



SINGLE TRACK



MULTI TRACK

Upper part available, on request, also in **BluLub®** and for abrasive applications.

### MAGNETIC SYSTEM

Part	Article-Nr.	Tracks	W	Material
706	70611614	1	100	Standard codes on table
706	70611624	2	185	
706	70611634	3	270	add "B" for <b>BluLub®</b>
706	70611644	4	355	
706	70611654	5	440	add "C" for abrasive
706	70611664	6	525	
706	70611674	7	610	
706	70611684	8	695	

Part	Article-Nr.	Tracks	W	Material
706	70611614RS	1	100	add "RS" for RS-version
706	70611624RS	2	185	
706	70611634RS	3	270	
706	70611644RS	4	355	
706	70611654RS	5	440	
706	70611664RS	6	525	
706	70611674RS	7	610	
706	70611684RS	8	695	

# 261 M MC4 Series

Curve magnetiche, Tab & Bevel / Magnetic, Tab & Bevel corner tracks / Kurvenführungen Magnet, Tab & Bevel Version

Materiale / Material / Materialien:  
 Polietilene UHMW-PE  
 Polyethylene UHMW-PE  
 Polyäthylen UHMW-PE

## 261 M MC4 Series

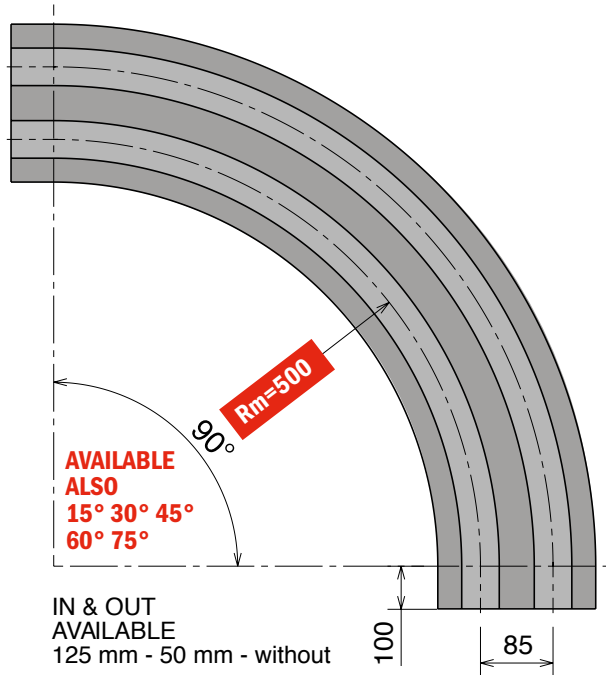
Chain Reference

261 M - K330

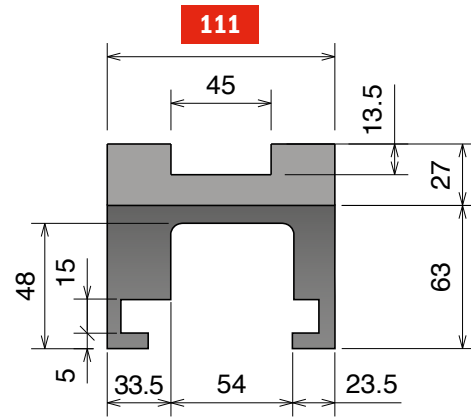
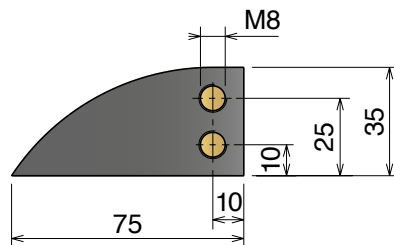
Curva Larghezza Base = 111 mm; Passo = 85 mm

Curve Basic Width = 111 mm; Pitch = 85 mm

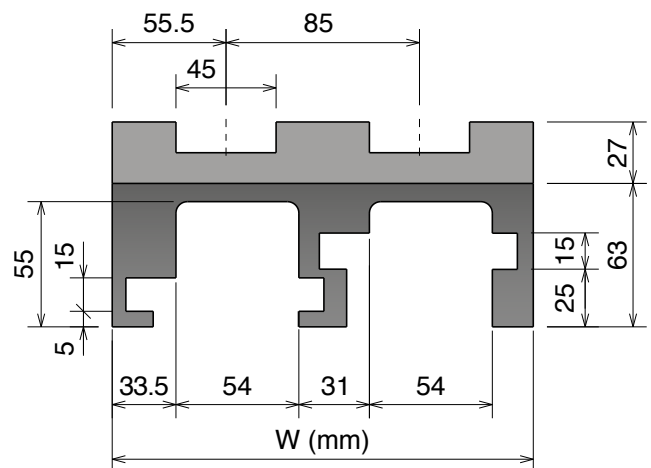
Kurve Basisbreite = 111 mm; Teilung = 85 mm



Available in **BluLub**®



SINGLE TRACK



MULTI TRACK

Upper part available, on request, also in **BluLub**® and for abrasive applications.

### MAGNETIC SYSTEM

Part	Article-Nr.	Tracks	W	Material
735	73511614	1	111	Standard codes on table
735	73511624	2	196	
735	73511634	3	281	add "B" for <b>BluLub</b> ®
735	73511644	4	366	
735	73511654	5	451	add "C" for abrasive
735	73511664	6	536	
735	73511674	7	621	
735	73511684	8	706	

Part	Article-Nr.	Tracks	W	Material
735	73511614RS	1	111	add "RS" for RS-version
735	73511624RS	2	196	
735	73511634RS	3	281	
735	73511644RS	4	366	
735	73511654RS	5	451	
735	73511664RS	6	536	
735	73511674RS	7	621	
735	73511684RS	8	706	

## 261 M MC8 Series

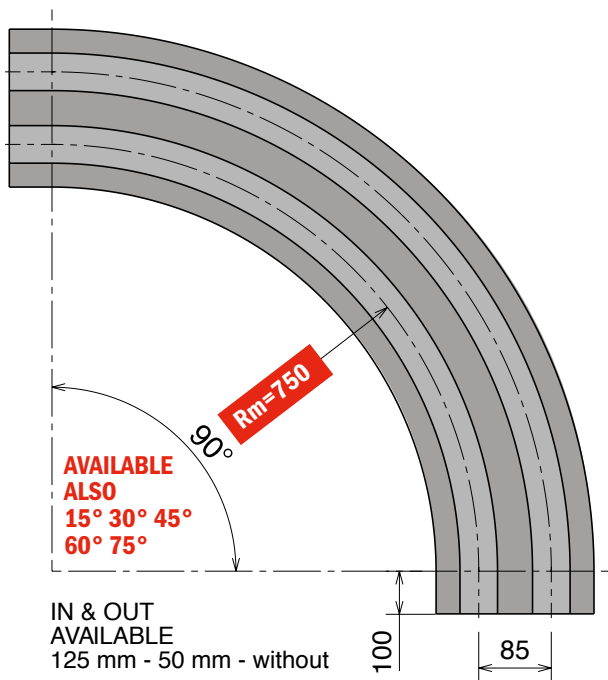
Chain Reference

261 M - K330

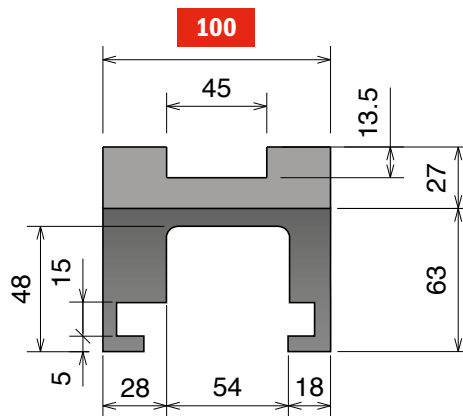
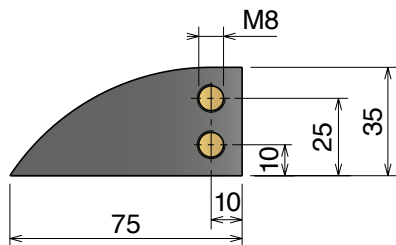
Curva Larghezza Base = 100 mm; Passo = 85 mm

Curve Basic Width = 100 mm; Pitch = 85 mm

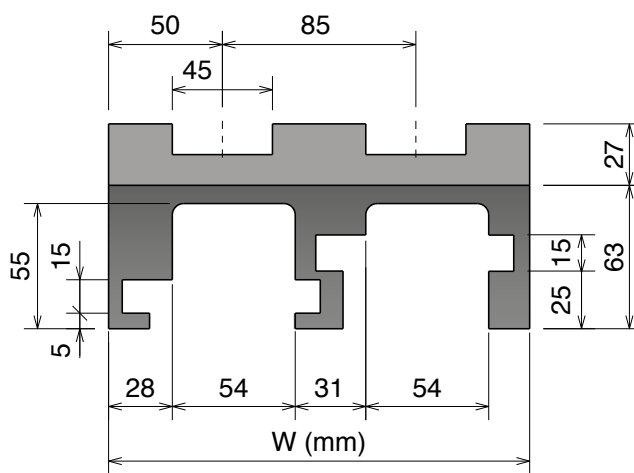
Kurve Basisbreite = 100 mm; Teilung = 85 mm



Available in **BluLub**®



SINGLE TRACK



MULTI TRACK

Upper part available, on request, also in **BluLub**® and for abrasive applications.

### MAGNETIC SYSTEM

Part	Article-Nr.	Tracks	W	Material
706	70616614	1	100	Standard codes on table
706	70616624	2	185	
706	70616634	3	270	add "B" for <b>BluLub</b> ®
706	70616644	4	355	
706	70616654	5	440	add "C" for abrasive
706	70616664	6	525	
706	70616674	7	610	
706	70616684	8	695	

Part	Article-Nr.	Tracks	W	Material
706	70616614RS	1	100	add "RS" for RS-version
706	70616624RS	2	185	
706	70616634RS	3	270	
706	70616644RS	4	355	
706	70616654RS	5	440	
706	70616664RS	6	525	
706	70616674RS	7	610	
706	70616684RS	8	695	

# 261 M MC5D Series

Curve magnetiche, Tab & Bevel / Magnetic, Tab & Bevel corner tracks / Kurvenführungen Magnet, Tab & Bevel Version

Materiale / Material / Materialien:  
 Polietilene UHMW-PE  
 Polyethylene UHMW-PE  
 Polyäthylen UHMW-PE

## 261 M MC5D Series

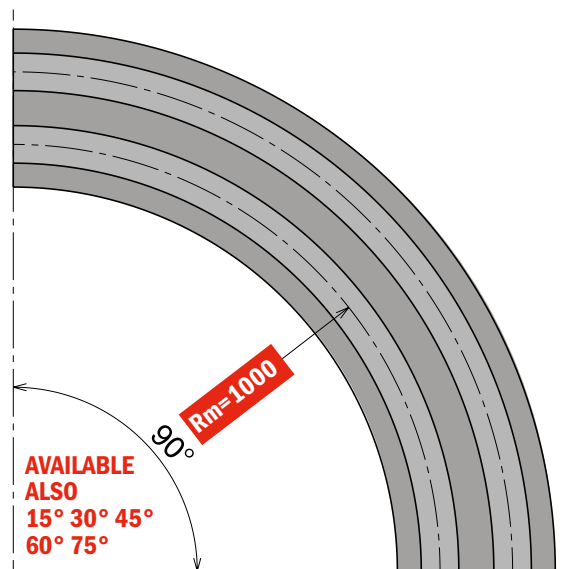
Chain Reference

261 M - K330

Curva Larghezza Base = 100 mm; Passo = 85 mm

Curve Basic Width = 100 mm; Pitch = 85 mm

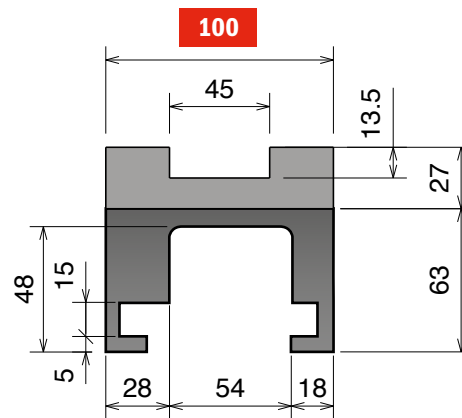
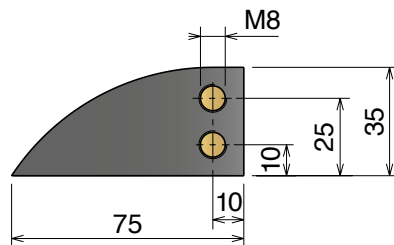
Kurve Basisbreite = 100 mm; Teilung = 85 mm



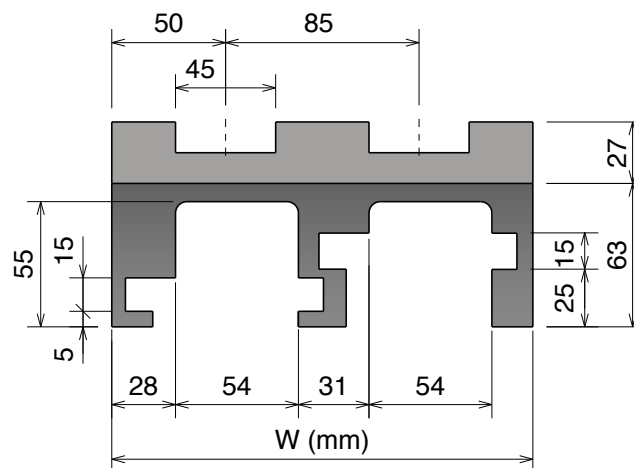
IN & OUT  
 AVAILABLE  
 125 mm - 100 mm - 50 mm



Available in  
**BluLub®**



SINGLE TRACK



MULTI TRACK

Upper part available, on request,  
 also in **BluLub®**  
 and for abrasive applications.

### MAGNETIC SYSTEM

Part	Article-Nr.	Tracks	W	Material
706	70619610	1	100	Standard codes on table
706	70619620	2	185	
706	70619630	3	270	add "B" for BluLub®
706	70619640	4	355	
706	70619650	5	440	add "C" for abrasive
706	70619660	6	525	
706	70619670	7	610	
706	70619680	8	695	

Part	Article-Nr.	Tracks	W	Material
706	70619610RS	1	100	add "RS" for RS-version
706	70619620RS	2	185	
706	70619630RS	3	270	
706	70619640RS	4	355	
706	70619650RS	5	440	
706	70619660RS	6	525	
706	70619670RS	7	610	
706	70619680RS	8	695	



## 261 M K450 MC22 Series

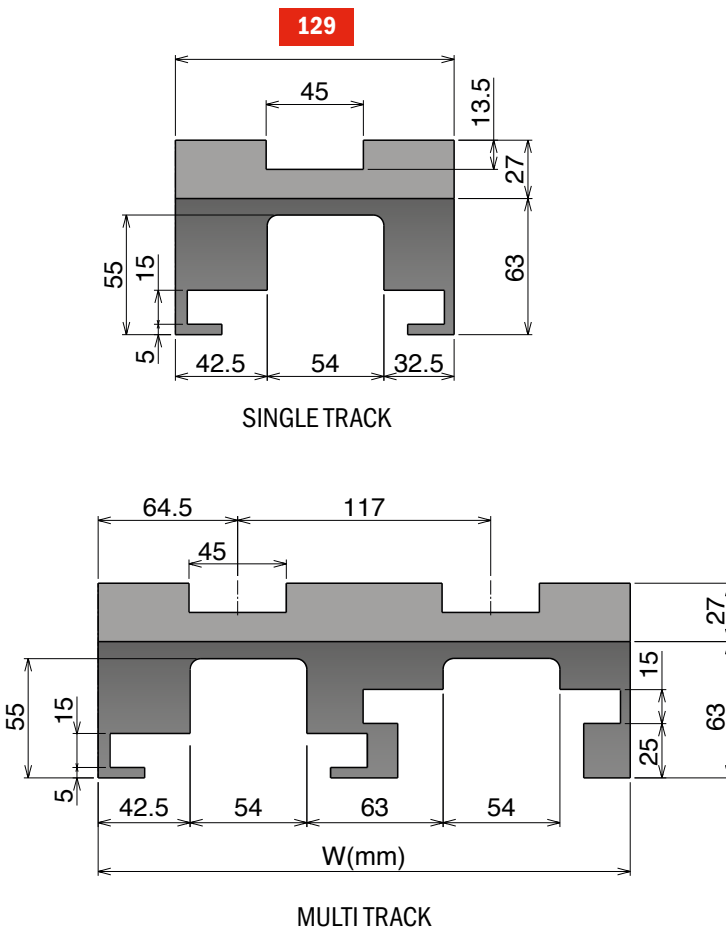
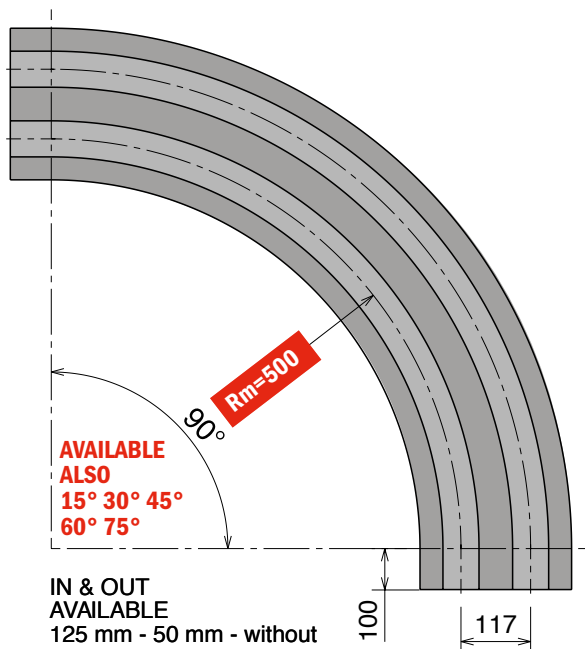
Chain Reference

261 M - K450

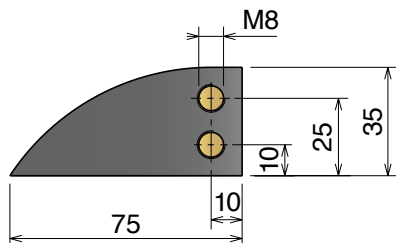
Curva Larghezza Base = 129 mm; Passo = 117 mm

Curve Basic Width = 129 mm; Pitch = 117 mm

Kurve Basisbreite = 129 mm; Teilung = 117 mm

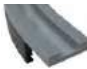




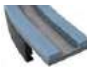
Available in  
**BluLub®**



Upper part available, on request,  
 also in **BluLub®**  
 and for abrasive applications.

### MAGNETIC SYSTEM

Part	Article-Nr.	Tracks	W	Material
736	73611614	1	129	 <b>Standard</b> codes on table   add "B" for <b>BluLub®</b>   add "C" for abrasive
736	73611624	2	246	
736	73611634	3	363	
736	73611644	4	480	

Part	Article-Nr.	Tracks	W	Material
736	73611614RS	1	129	 <b>RS</b> add "RS" for RS-version
736	73611624RS	2	246	
736	73611634RS	3	363	
736	73611644RS	4	480	

# 261 M K450 MC27 Series

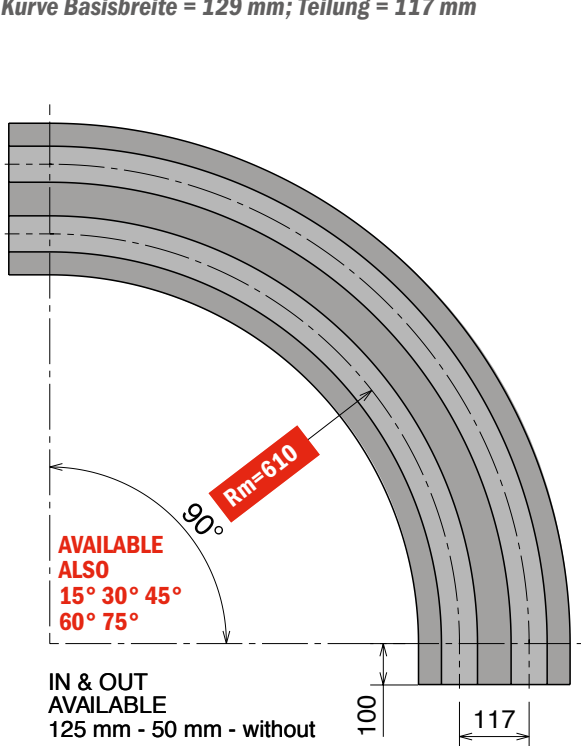
Curve magnetiche, Tab & Bevel / Magnetic, Tab & Bevel corner tracks / Kurvenführungen Magnet, Tab & Bevel Version

Materiale / Material / Materialien:  
 Polietilene UHMW-PE  
 Polyethylene UHMW-PE  
 Polyäthylen UHMW-PE

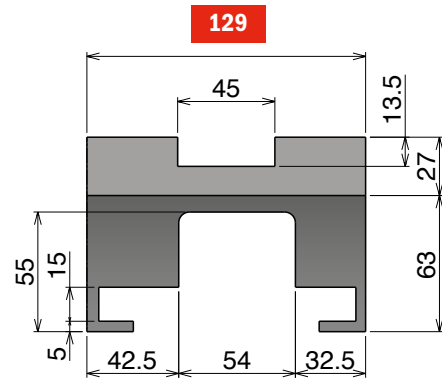
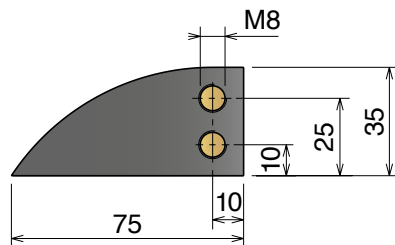
## 261 M K450 MC27 Series

Chain Reference 261 M - K450

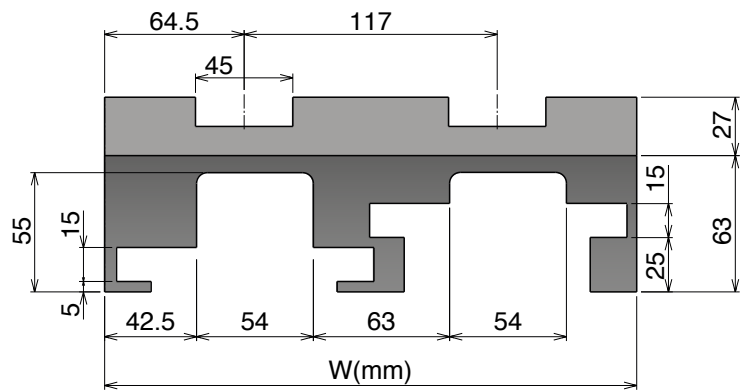
Curva Larghezza Base = 129 mm; Passo = 117 mm  
 Curve Basic Width = 129 mm; Pitch = 117 mm  
 Kurve Basisbreite = 129 mm; Teilung = 117 mm



Available in **BluLub**®



SINGLE TRACK



MULTI TRACK

Upper part available, on request, also in **BluLub**® and for abrasive applications.

### MAGNETIC SYSTEM

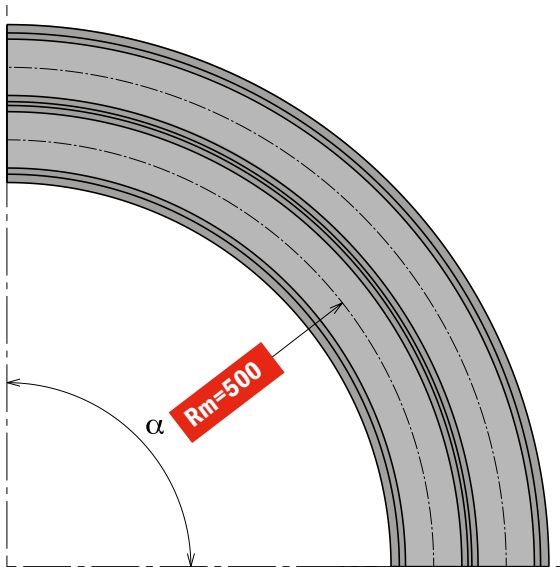
Part	Article-Nr.	Tracks	W	Material
736	73613614	1	129	 <b>Standard</b> codes on table add "B" for <b>BluLub</b> ® add "C" for abrasive
736	73613624	2	246	
736	73613634	3	363	
736	73613644	4	480	
Part	Article-Nr.	Tracks	W	Material
736	73613614RS	1	129	 <b>RS</b> add "RS" for RS-version
736	73613624RS	2	246	
736	73613634RS	3	363	
736	73613644RS	4	480	

## 520 M MA7 Series

Chain Reference

520 M - K330

Curva Larghezza Base = 100 mm; Passo = 85 mm  
 Curve Basic Width = 100 mm; Pitch = 85 mm  
 Kurve Basisbreite = 100 mm; Teilung = 85 mm

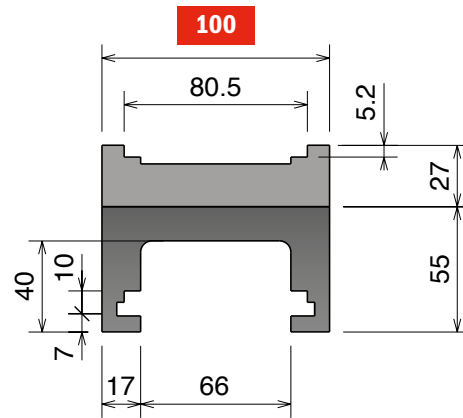
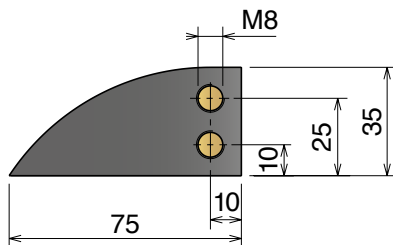


IN & OUT  
 AVAILABLE ALSO  
 125 mm - 100 mm - 50 mm

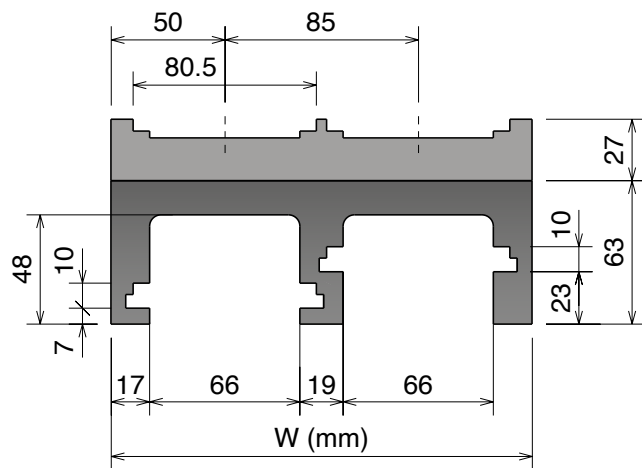
85



Available in  
**BluLub®**



SINGLE TRACK



MULTI TRACK

Upper part available, on request,  
 also in **BluLub®**  
 and for abrasive applications.

### MAGNETIC SYSTEM

Part	α 15°	α 30°	α 45°	α 60°	α 75°	α 90°	Tracks	W	Material
750	75011110	75011210	75011310	75011410	75011510	75011610	1	100	Standard codes on table
750	75011120	75011220	75011320	75011420	75011520	75011620	2	185	
750	75011130	75011230	75011330	75011430	75011530	75011630	3	270	add "B" for <b>BluLub®</b>
750	75011140	75011240	75011340	75011440	75011540	75011640	4	355	
750	75011150	75011250	75011350	75011450	75011550	75011650	5	440	add "C" for abrasive
750	75011160	75011260	75011360	75011460	75011560	75011660	6	525	
750	75011170	75011270	75011370	75011470	75011570	75011670	7	610	add "C" for abrasive
750	75011180	75011280	75011380	75011480	75011580	75011680	8	695	

# 520 M MA6 Series

Curve magnetiche, Tab & Bevel / Magnetic, Tab & Bevel corner tracks / Kurvenführungen Magnet, Tab & Bevel Version

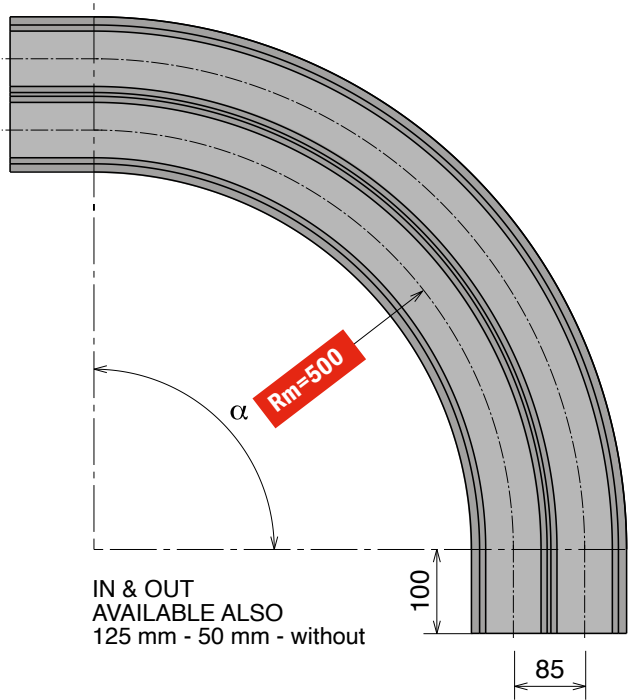
Materiale / Material / Materialien:  
 Polietilene UHMW-PE  
 Polyethylene UHMW-PE  
 Polyäthylen UHMW-PE

## 520 M MA6 Series

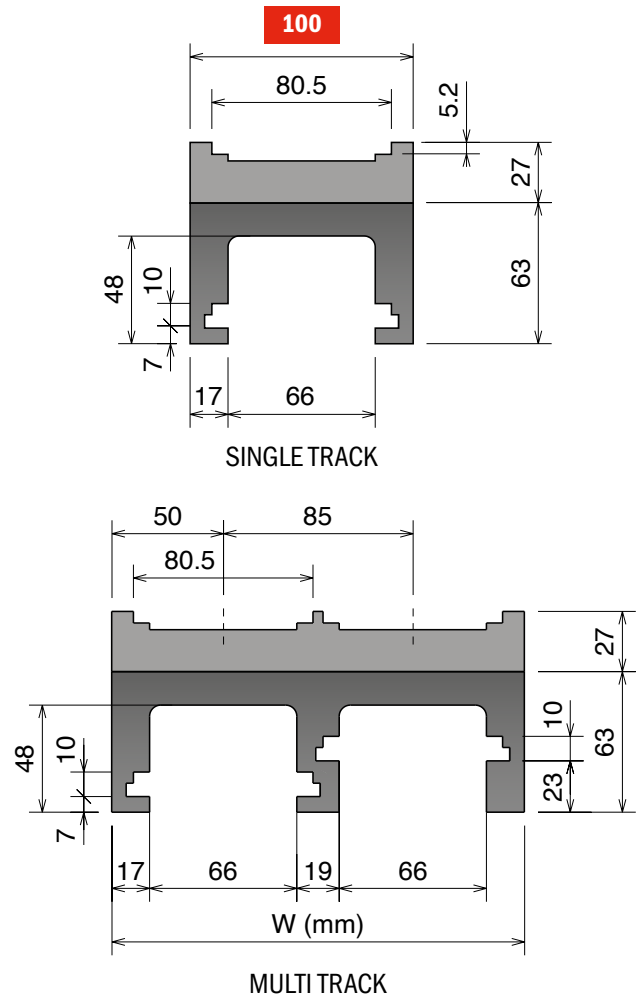
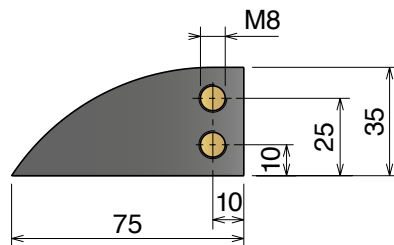
Chain Reference

520 M - K330

Curva Larghezza Base = 100 mm; Passo = 85 mm  
 Curve Basic Width = 100 mm; Pitch = 85 mm  
 Kurve Basisbreite = 100 mm; Teilung = 85 mm



Available in  
**BluLub**



Upper part available, on request,  
 also in **BluLub**  
 and for abrasive applications.

**MAGNETIC SYSTEM**

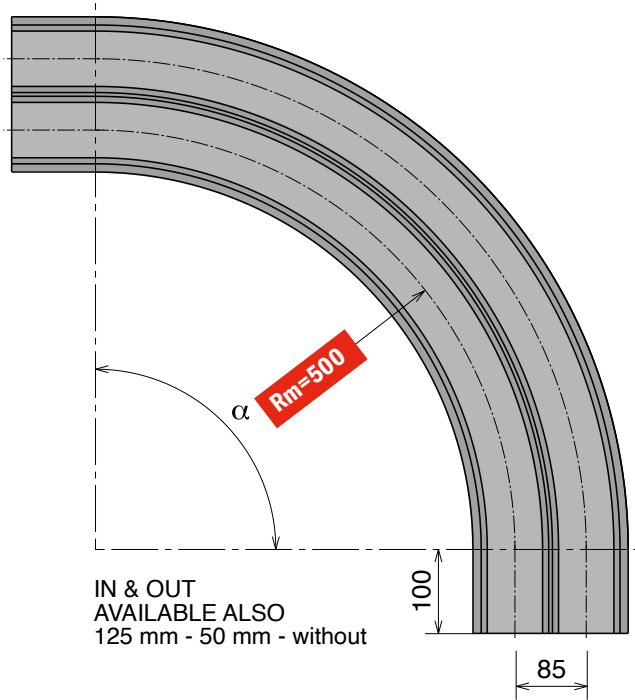
Part	$\alpha 15^\circ$	$\alpha 30^\circ$	$\alpha 45^\circ$	$\alpha 60^\circ$	$\alpha 75^\circ$	$\alpha 90^\circ$	Tracks	W	Material
750	75011114	75011214	75011314	75011414	75011514	75011614	1	100	Standard codes on table
750	75011124	75011224	75011324	75011424	75011524	75011624	2	185	
750	75011134	75011234	75011334	75011434	75011534	75011634	3	270	add "B" for <b>BluLub</b>
750	75011144	75011244	75011344	75011444	75011544	75011644	4	355	
750	75011154	75011254	75011354	75011454	75011554	75011654	5	440	add "C" for abrasive
750	75011164	75011264	75011364	75011464	75011564	75011664	6	525	
750	75011174	75011274	75011374	75011474	75011574	75011674	7	610	add "C" for abrasive
750	75011184	75011284	75011384	75011484	75011584	75011684	8	695	

## 520 M MA4 Series

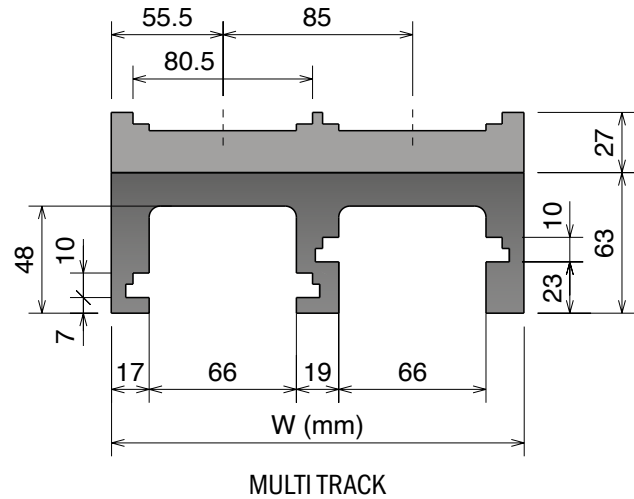
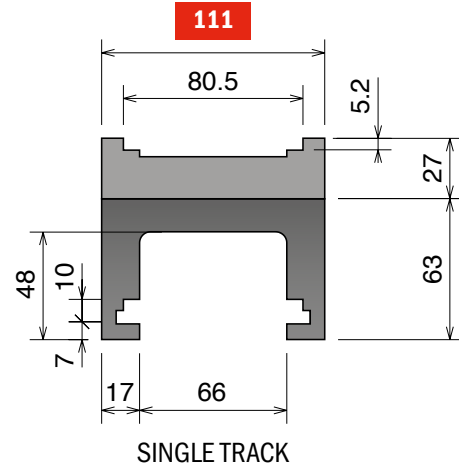
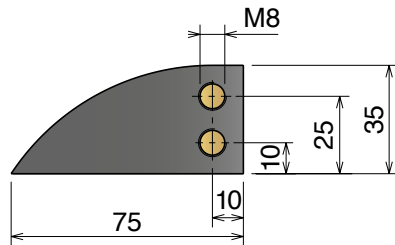
Chain Reference

520 M - K330

Curva Larghezza Base = 111mm; Passo = 85 mm  
 Curve Basic Width = 111 mm; Pitch = 85 mm  
 Kurve Basisbreite = 111 mm; Teilung = 85 mm



Available in  
**BluLub®**



Upper part available, on request,  
 also in **BluLub®**  
 and for abrasive applications.

### MAGNETIC SYSTEM

Part	α 15°	α 30°	α 45°	α 60°	α 75°	α 90°	Tracks	W	Material
751	75111114	75111214	75111314	75111414	75111514	75111614	1	111	Standard codes on table
751	75111124	75111224	75111324	75111424	75111524	75111624	2	196	
751	75111134	75111234	75111334	75111434	75111534	75111634	3	281	add "B" for <b>BluLub®</b>
751	75111144	75111244	75111344	75111444	75111544	75111644	4	366	
751	75111154	75111254	75111354	75111454	75111554	75111654	5	451	add "C" for abrasive
751	75111164	75111264	75111364	75111464	75111564	75111664	6	536	
751	75111174	75111274	75111374	75111474	75111574	75111674	7	621	add "C" for abrasive
751	75111184	75111284	75111384	75111484	75111584	75111684	8	706	

# 520 M MA8 Series

Curve magnetiche, Tab & Bevel / Magnetic, Tab & Bevel corner tracks / Kurvenführungen Magnet, Tab & Bevel Version

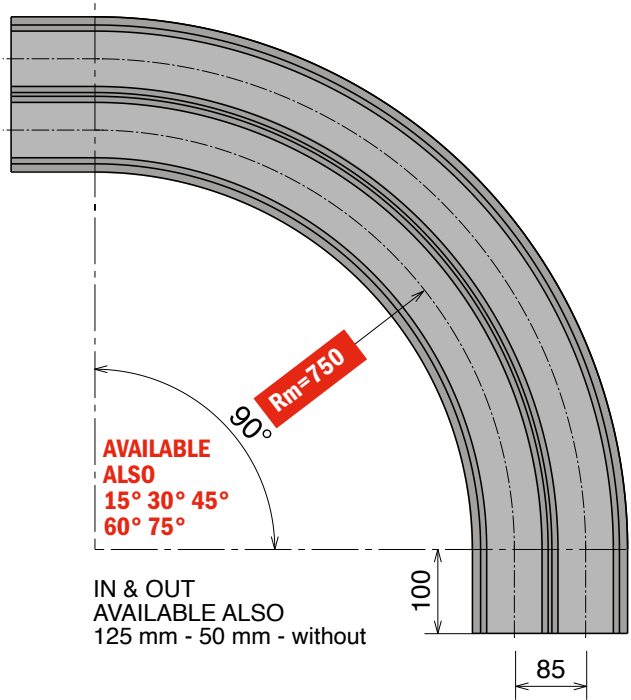
Materiale / Material / Materialien:  
 Polietilene UHMW-PE  
 Polyethylene UHMW-PE  
 Polyäthylen UHMW-PE

## 520 M MA8 Series

Chain Reference

520 M - K330

Curva Larghezza Base = 100 mm; Passo = 85 mm  
 Curve Basic Width = 100 mm; Pitch = 85 mm  
 Kurve Basisbreite = 100 mm; Teilung = 85 mm

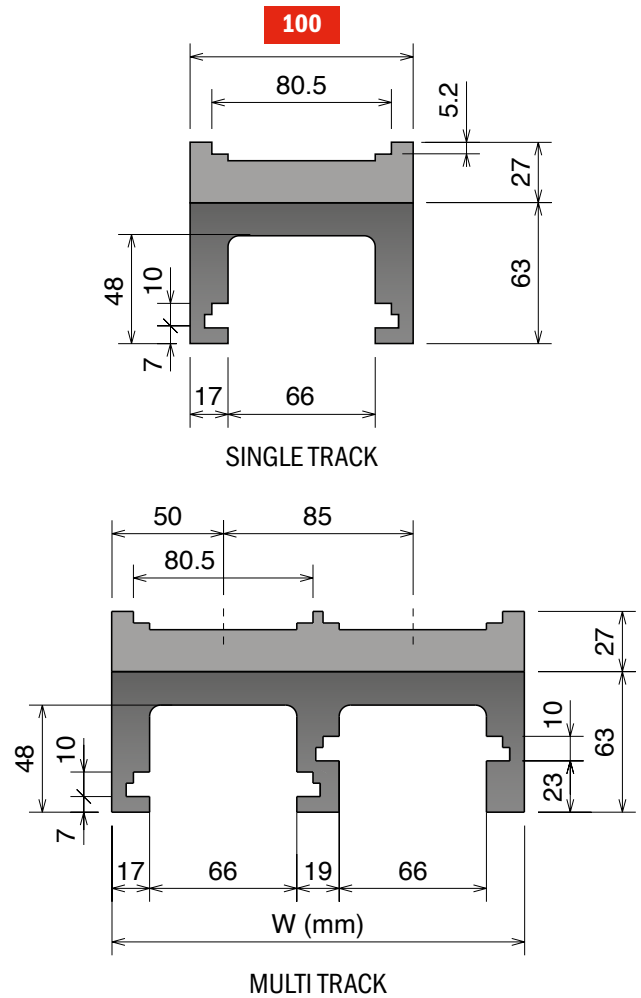
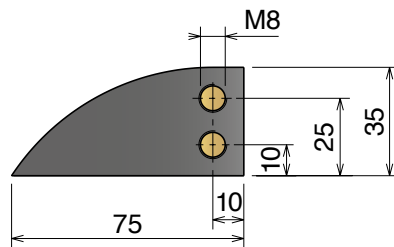


AVAILABLE ALSO  
 15° 30° 45°  
 60° 75°

IN & OUT  
 AVAILABLE ALSO  
 125 mm - 50 mm - without



Available in  
**BluLub®**



Upper part available, on request,  
 also in **BluLub®**  
 and for abrasive applications.

### MAGNETIC SYSTEM

Part	Article-Nr.	Tracks	W	Material
750	75016614	1	100	Standard codes on table
750	75016624	2	185	
750	75016634	3	270	add "B" for BluLub®
750	75016644	4	355	
750	75016654	5	440	add "C" for abrasive
750	75016664	6	525	
750	75016674	7	610	add "C" for abrasive
750	75016684	8	695	

## 520 M MA42 Series

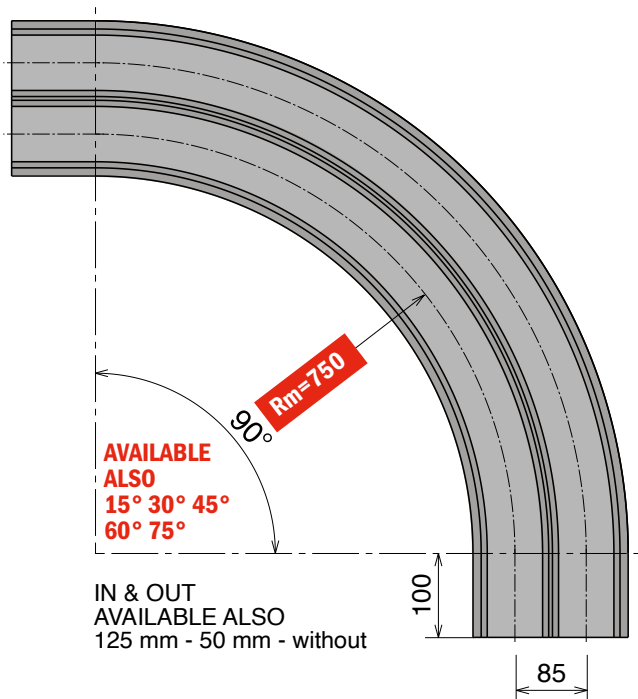
Chain Reference

520 M - K330

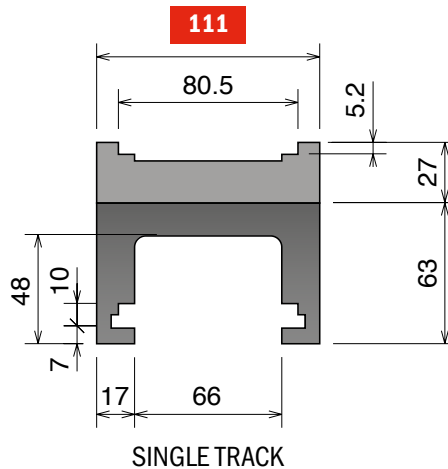
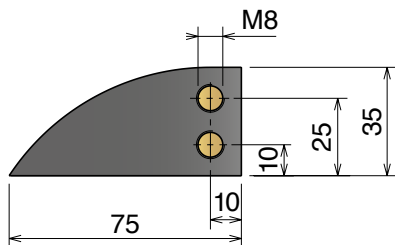
Curva Larghezza Base = 111 mm; Passo = 85 mm

Curve Basic Width = 111 mm; Pitch = 85 mm

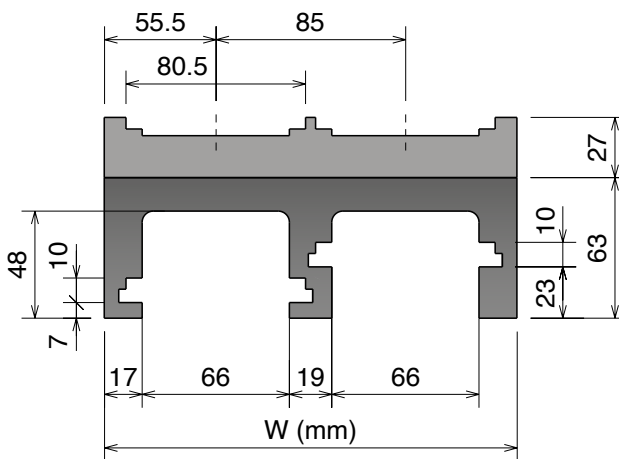
Kurve Basisbreite = 111 mm; Teilung = 85 mm



Available in  
**BluLub®**





SINGLE TRACK



MULTI TRACK

Upper part available, on request,  
 also in **BluLub®**  
 and for abrasive applications.

### MAGNETIC SYSTEM

Part	Article-Nr.	Tracks	W	Material
751	75116614	1	111	 <b>Standard</b> codes on table
751	75116624	2	196	
751	75116634	3	281	 add "B" for <b>BluLub®</b>
751	75116644	4	366	
751	75116654	5	451	 add "C" for abrasive
751	75116664	6	536	
751	75116674	7	621	
751	75116684	8	706	

# 520 M MA43 Series

Curve magnetiche, Tab & Bevel / Magnetic, Tab & Bevel corner tracks / Kurvenführungen Magnet, Tab & Bevel Version

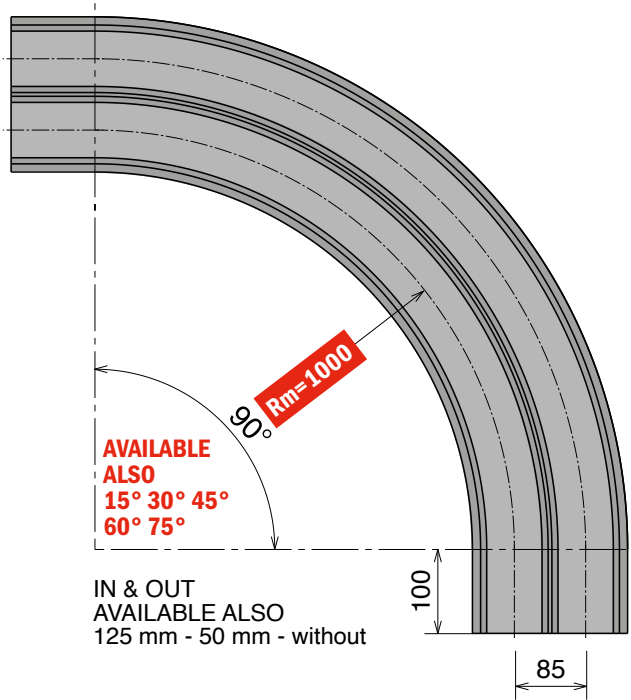
Materiale / Material / Materialien:  
 Polietilene UHMW-PE  
 Polyethylene UHMW-PE  
 Polyäthylen UHMW-PE

## 520 M MA43 Series

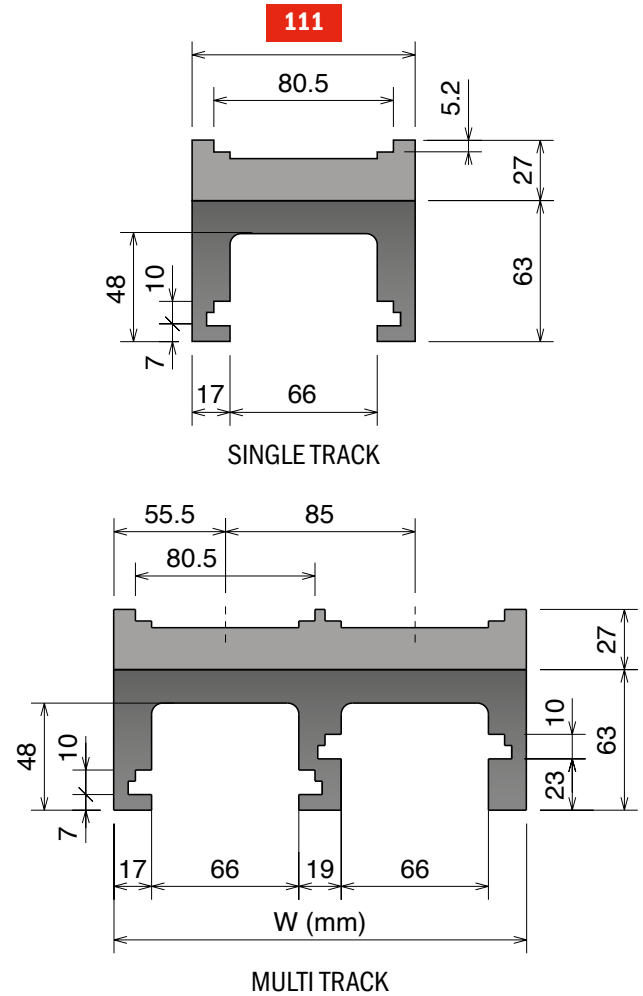
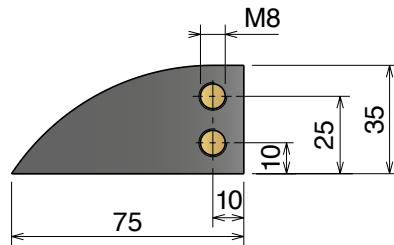
Chain Reference

520 M - K330

Curva Larghezza Base = 111 mm; Passo = 85 mm  
 Curve Basic Width = 111 mm; Pitch = 85 mm  
 Kurve Basisbreite = 111 mm; Teilung = 85 mm



Available in **BluLub**®



Upper part available, on request,  
 also in **BluLub**®  
 and for abrasive applications.

### MAGNETIC SYSTEM

Part	Article-Nr.	Tracks	W	Material
751	75119614	1	111	Standard codes on table
751	75119624	2	196	
751	75119634	3	281	add "B" for <b>BluLub</b> ®
751	75119644	4	366	
751	75119654	5	451	add "C" for abrasive
751	75119664	6	536	
751	75119674	7	621	
751	75119684	8	706	



## 520 M MA5D Series

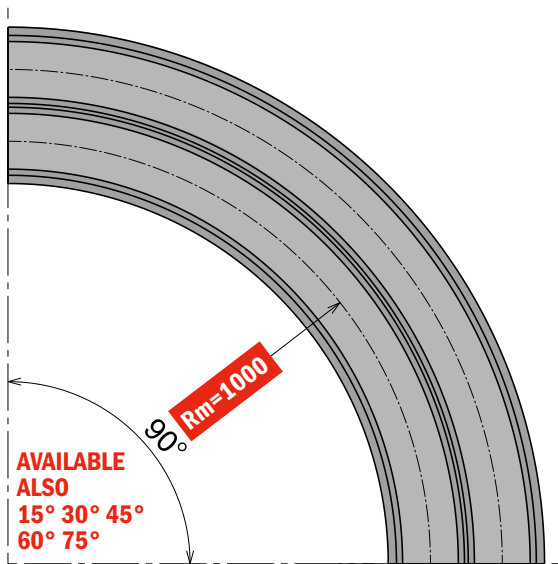
Chain Reference

520 M - K330

Curva Larghezza Base = 100 mm; Passo = 85 mm

Curve Basic Width = 100 mm; Pitch = 85 mm

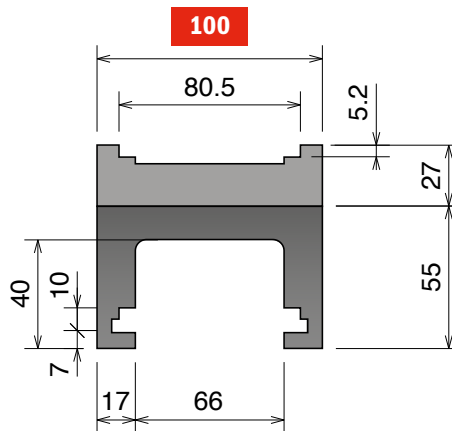
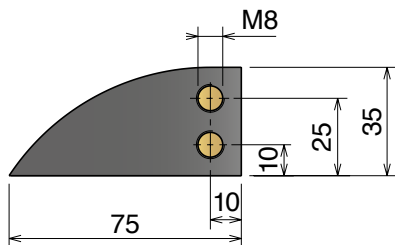
Kurve Basisbreite = 100 mm; Teilung = 85 mm



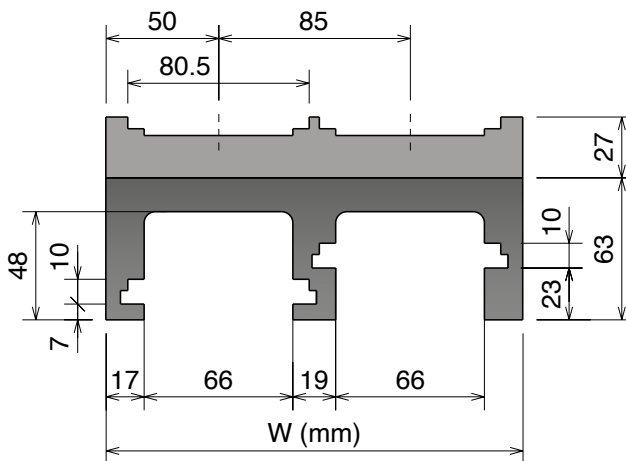
IN & OUT  
 AVAILABLE ALSO  
 125 mm - 100 mm - 50 mm



Available in  
**BluLub®**



SINGLE TRACK



MULTI TRACK

Upper part available, on request,  
 also in **BluLub®**  
 and for abrasive applications.

### MAGNETIC SYSTEM

Part	Article-Nr.	Tracks	W	Material
750	75019610	1	100	 <b>Standard</b> codes on table
750	75019620	2	185	
750	75019630	3	270	 add "B" for <b>BluLub®</b>
750	75019640	4	355	
750	75019650	5	440	 add "C" for abrasive
750	75019660	6	525	
750	75019670	7	610	
750	75019680	8	695	

# 550 PRO M

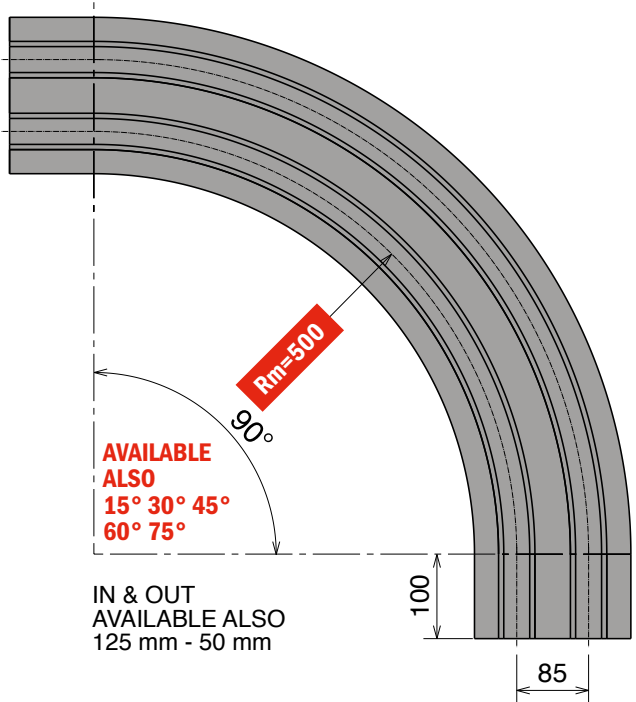
Curve magnetiche, Tab & Bevel / Magnetic, Tab & Bevel corner tracks / Kurvenführungen Magnet, Tab & Bevel Version

Materiale / Material / Materialien:  
 Polietilene UHMW-PE  
 Polyethylene UHMW-PE  
 Polyäthylen UHMW-PE

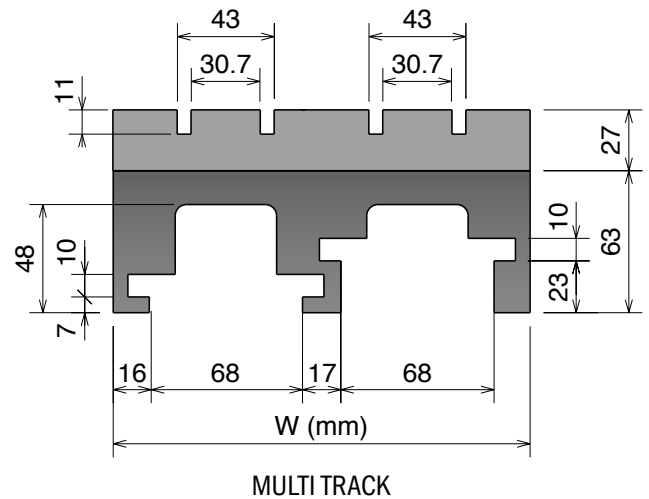
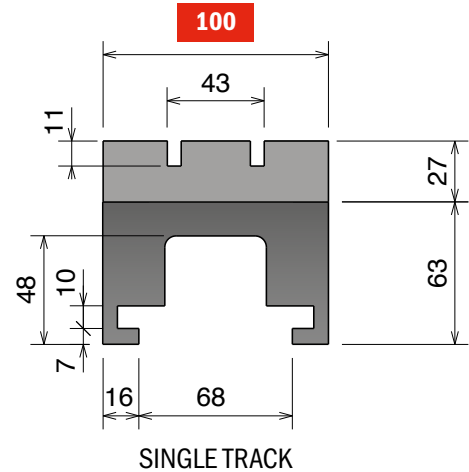
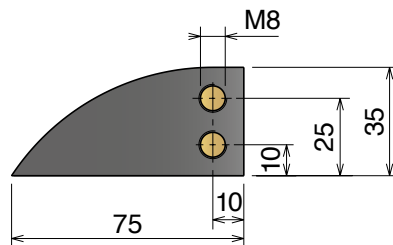
## 550 PRO M

Chain Reference 550 PRO M - K330

Curva Larghezza Base = 100 mm; Passo = 85 mm  
 Curve Basic Width = 100 mm; Pitch = 85 mm  
 Kurve Basisbreite = 100 mm; Teilung = 85 mm






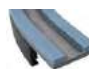
Available in  
**BluLub®**



Upper part available, on request,  
 also in **BluLub®**  
 and for abrasive applications.

### MAGNETIC SYSTEM

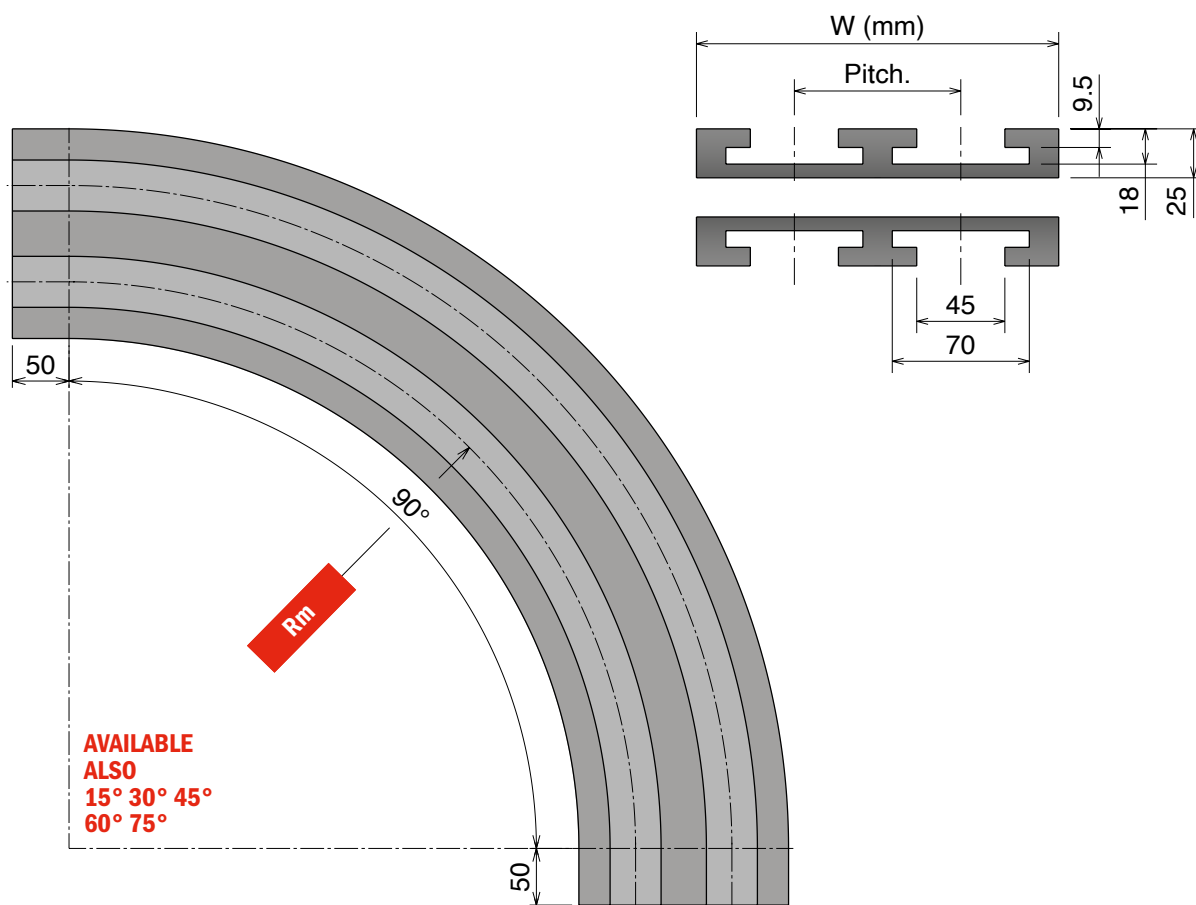
Part	$\alpha$ 90°	Tracks	W	Material
752	75211614	1	100	 <b>Standard</b> codes on table
752	75211624	2	185	
752	75211634	3	270	 add "B" for <b>BluLub®</b>
752	75211644	4	355	
752	75211654	5	440	 add "C" for abrasive
752	75211664	6	525	
752	75211674	7	610	
752	75211684	8	695	

Part	$\alpha$ 90°	Tracks	W	Material
752	75211614RS	1	100	 <b>RS</b> add "RS" for RS-version
752	75211624RS	2	185	
752	75211634RS	3	270	
752	75211644RS	4	355	
752	75211654RS	5	440	
752	75211664RS	6	525	
752	75211674RS	7	610	
752	75211684RS	8	695	

# 878-879-880-881-888-260-261 TAB

Chain Reference 878-879 TAB - K325/K450 880-881 TAB - K325/K450/K750 8881 TAB - K325/K330/K450/K750 888 TAB - W80/140/200 260-261 TAB - K330/K450






Supply: Set of 2 pieces (upper & return)



AVAILABLE  
 ALSO  
 15° 30° 45°  
 60° 75°

Upper part available, on request,  
 also in **BluLub®**  
 and for abrasive applications.

## TAB SYSTEM

Part	Rm 500	Rm 610	Rm 800	Rm 1000	Tracks	W	Pitch	Material
<b>K325</b>								
720	72021612	72023612	72027612	72029612	1	100	85	 Standard codes on table Upper part:  add "B" for <b>BluLub®</b>  add "C" for abrasive Upper and return part:  add "BB" for <b>BluLub®</b>  add "CC" for abrasive
720	72021622	72023622	72027622	72029622	2	185		
720	72021632	72023632	72027632	72029632	3	270		
720	72021642	72023642	72027642	72029642	4	355		
720	72021652	72023652	72027652	72029652	5	440		
720	72021662	72023662	72027662	72029662	6	525		
<b>K450</b>								
721	72121612	72123612	72127612	72129612	1	130	120	
721	72121622	72123622	72127622	72129622	2	250		
721	72121632	72123632	72127632	72129632	3	370		
721	72121642	72123642	72127642	72129642	4	490		
721	72121652	72123652	72127652	72129652	5	610		
721	72121662	72123662	72127662	72129662	6	730		
<b>K750</b>								
722	72221612	72223612	72227612	72229612	1	200	195	
722	72221622	72223622	72227622	72229622	2	395		
722	72221632	72223632	72227632	72229632	3	590		
722	72221642	72223642	72227642	72229642	4	785		

# 878 TAB-880 TAB BO

Curve magnetiche, Tab & Bevel / Magnetic, Tab & Bevel corner tracks / Kurvenführungen Magnet, Tab & Bevel Version

Materiale / Material / Materialien:  
 Polietilene UHMW-PE  
 Polyethylene UHMW-PE  
 Polyäthylen UHMW-PE

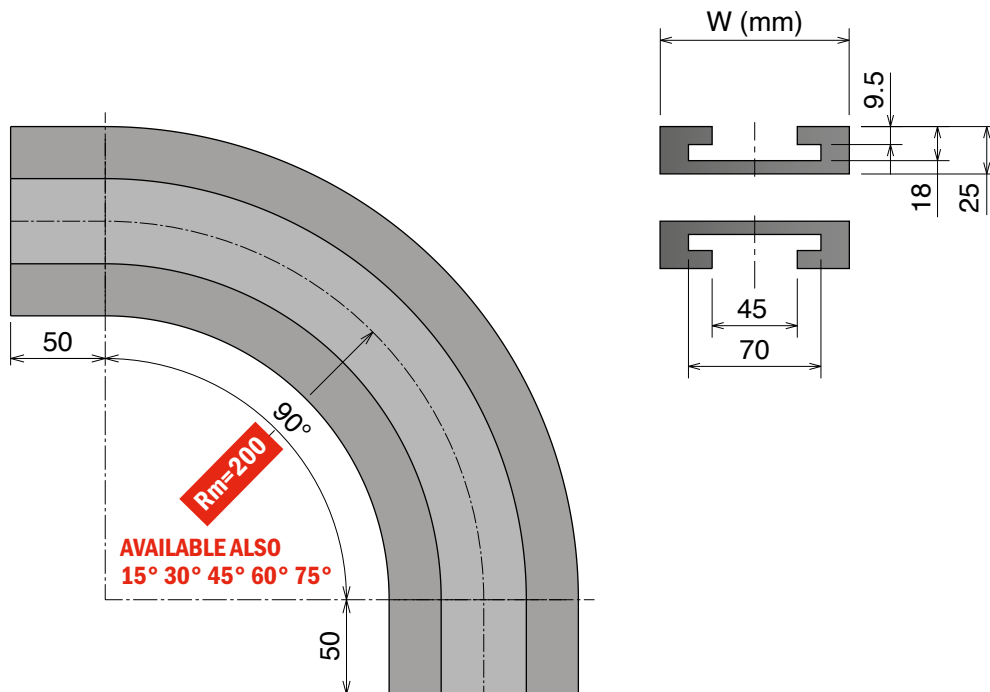
## NEW 878 TAB - 880 TAB BO

Chain Reference

878 TAB - K325/K450



880 TAB BO - K325/K450


Supply: Set of 2 pieces (upper & return)



Upper part available, on request,  
 also in **BluLub®**  
 and for abrasive applications.

### TAB SYSTEM

Part	Rm 200	Tracks	W	Material
<b>K325</b>				
744	74420612	1	100	 <b>Standard codes</b> on table
<b>K450</b>				
745	74520612	1	130	<b>Upper part:</b>  add " <b>B</b> " for <b>BluLub®</b>


 add "**C**"  
 for abrasive

**Upper and return part:**  

 add "**BB**" for  
**BluLub®**  

 add "**CC**"  
 for abrasive



Materiale / Material / Materialien:  
 Polietilene UHMW-PE  
 Polyethylene UHMW-PE  
 Polyäthylen UHMW-PE

# 888 TAB

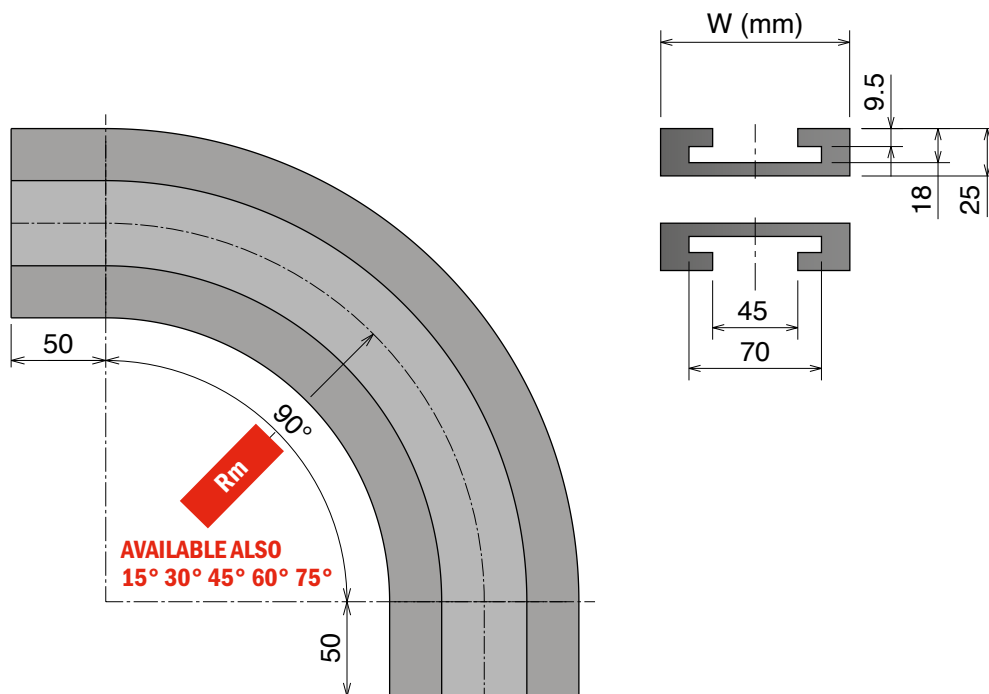
Curve magnetiche, Tab & Bevel / Magnetic, Tab & Bevel corner tracks / Kurvenführungen Magnet, Tab & Bevel Version

## NEW 888 TAB

Chain Reference **888 TAB - W80/140/200**

Delivery: **Easy** **Standard**

Supply: Set of 2 pieces (upper & return)




### TAB SYSTEM

Upper part available, on request, also in **BluLub®** and for abrasive applications.




**BluLub®**  
 Strongly recommended

Part	Rm 200	Rm 500	Tracks	W	Material
<b>W80</b>					
744	74420612	72021612	1	100	 <b>Standard</b> codes on table
<b>W140</b>					
746	-	74621612	1	155	<b>Upper part:</b>  add "B" for <b>BluLub®</b>
<b>W200</b>					
747	-	74721612	1	215	 add "C" for abrasive

#### Upper and return part:

 add "BB" for **BluLub®**

 add "CC" for abrasive

# 882 TAB

Curve magnetische, Tab & Bevel / Magnetic, Tab & Bevel corner tracks / Kurvenführungen Magnet, Tab & Bevel Version

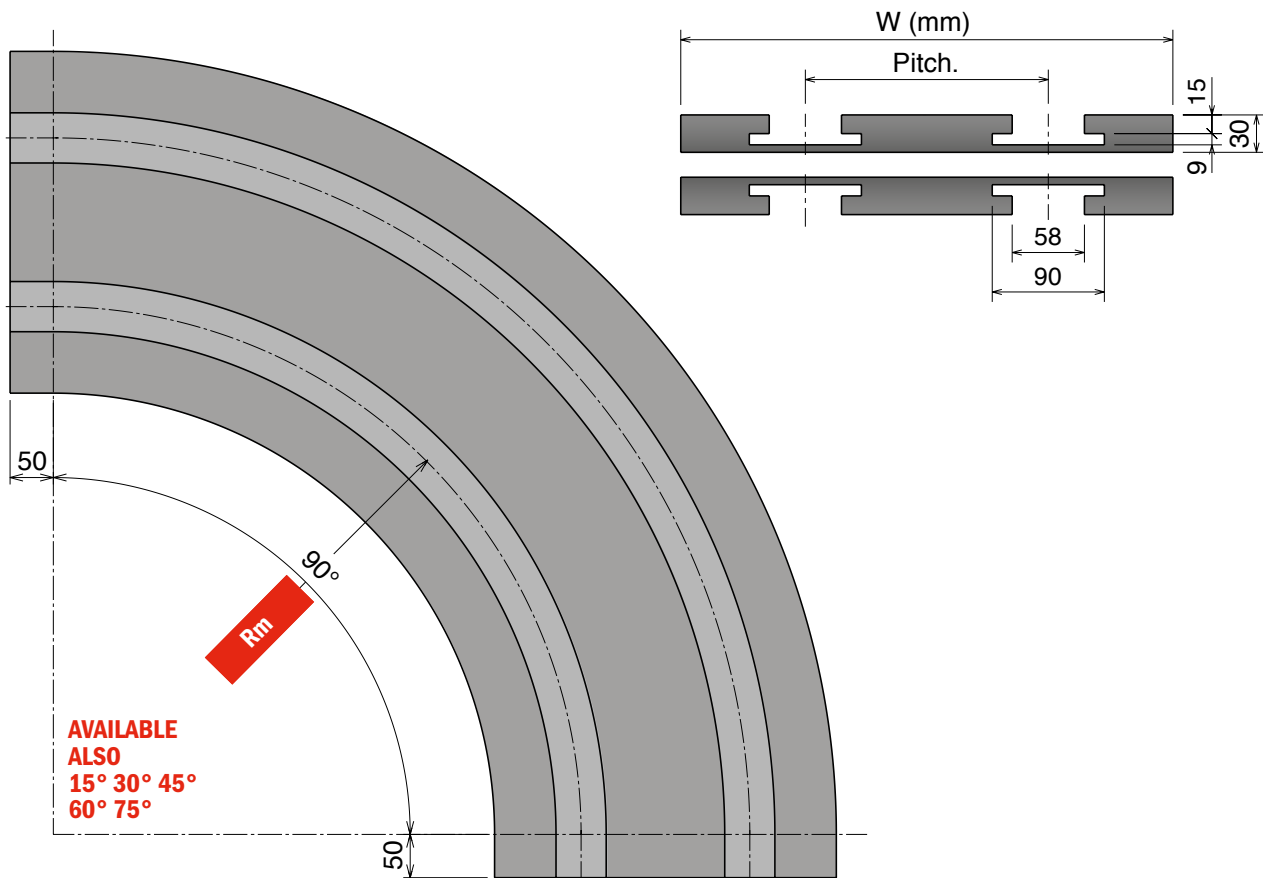
Materiale / Material / Materialien:  
 Polietilene UHMW-PE  
 Polyethylene UHMW-PE  
 Polyäthylen UHMW-PE

## 882 TAB

Chain Reference 882 TAB - K450/K750/K1000/K1200

Delivery: **Easy** **Standard**





Supply: Set of 2 pieces (upper & return)



**AVAILABLE ALSO**  
 15° 30° 45°  
 60° 75°

Upper part available, on request, also in **BluLub®** and for abrasive applications.

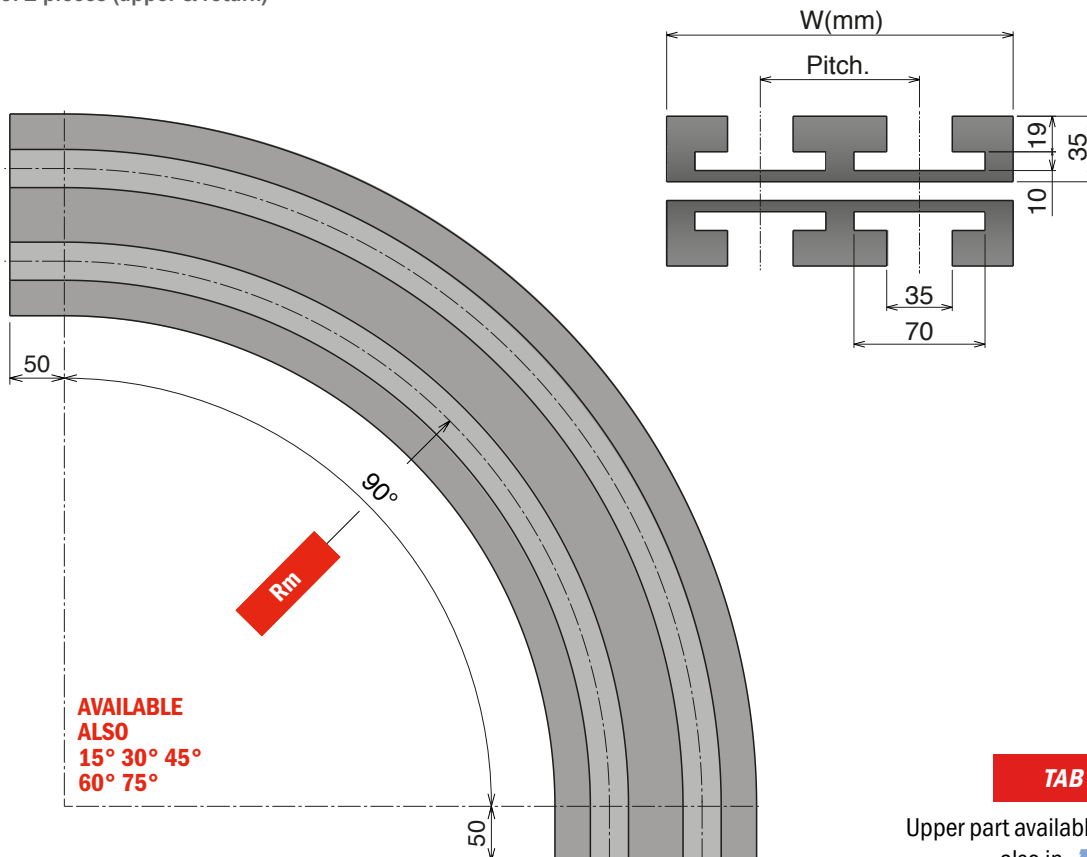
### TAB SYSTEM

Part	Rm 610	Rm 800	Rm 1000	Tracks	W	Pitch	Material
<b>K450</b>							
727	72723612	72727612	72729612	1	130	120	 <b>Standard</b> codes on table
727	72723622	72727622	72729622	2	250		
727	72723632	72727632	72729632	3	370		
727	72723642	72727642	72729642	4	490		
<b>K750</b>							
723	72323612	72327612	72329612	1	200	195	 <b>Upper part:</b> add " <b>B</b> " for <b>BluLub®</b>
723	72323622	72327622	72329622	2	395		
723	72323632	72327632	72329632	3	590		
723	72323642	72327642	72329642	4	785		
<b>K1000</b>							
724	72423612	72427612	72429612	1	270	260	 <b>Upper and return part:</b> add " <b>BB</b> " for <b>BluLub®</b>
724	72423622	72427622	72429622	2	530		
724	72423632	72427632	72429632	3	790		
724	72423642	72427642	72429642	4	1050		
<b>K1200</b>							
725	72523612	72527612	72529612	1	320	310	 add " <b>CC</b> " for abrasive
725	72523622	72527622	72529622	2	630		
725	72523632	72527632	72529632	3	940		
725	72523642	72527642	72529642	4	1250		

# 1873-1874 TAB

Chain Reference 1873 TAB-1874 TAB - K325/K450/K600/K750/K1000/K1200













Supply: Set of 2 pieces (upper & return)



AVAILABLE  
 ALSO  
 15° 30° 45°  
 60° 75°

### TAB SYSTEM

Upper part available, on request,  
 also in **BluLub**<sup>®</sup>  
 and for abrasive applications.

Part	Rm 500	Rm 610	Rm 800	Rm 1000	Tracks	W	Pitch	Material
<b>K325</b>								
726	72621612	72623612	72627612	72629612	1	100	85	 <b>Standard</b> codes on table  <b>Upper part:</b>  add " <b>B</b> " for <b>BluLub</b> <sup>®</sup>  add " <b>C</b> " for abrasive
726	72621622	72623622	72627622	72629622	2	185		
726	72621632	72623632	72627632	72629632	3	270		
726	72621642	72623642	72627642	72629642	4	355		
<b>K450</b>								
728	72821612	72823612	72827612	72829612	1	130	120	 <b>Upper and return part:</b>  add " <b>BB</b> " for <b>BluLub</b> <sup>®</sup>  add " <b>CC</b> " for abrasive
728	72821622	72823622	72827622	72829622	2	250		
728	72821632	72823632	72827632	72829632	3	370		
728	72821642	72823642	72827642	72829642	4	490		
<b>K600</b>								
729	72921612	72923612	72927612	72929612	1	170	160	 <b>Upper and return part:</b>  add " <b>BB</b> " for <b>BluLub</b> <sup>®</sup>  add " <b>CC</b> " for abrasive
729	72921622	72923622	72927622	72929622	2	330		
729	72921632	72923632	72927632	72929632	3	490		
729	72921642	72923642	72927642	72929642	4	650		
<b>K750</b>								
737	73721612	73723612	73727612	73729612	1	200	195	 <b>Upper and return part:</b>  add " <b>BB</b> " for <b>BluLub</b> <sup>®</sup>  add " <b>CC</b> " for abrasive
737	73721622	73723622	73727622	73729622	2	395		
737	73721632	73723632	73727632	73729632	3	590		
737	73721642	73723642	73727642	73729642	4	785		
<b>K1000</b>								
738	73821612	73823612	73827612	73829612	1	270	260	
738	73821622	73823622	73827622	73829622	2	530		
<b>K1200</b>								
739	73921612	73923612	73927612	73929612	1	320	310	
739	73921622	73923622	73927622	73929622	2	630		

# 1843 TAB

Curve magnetiche, Tab & Bevel / Magnetic, Tab & Bevel corner tracks / Kurvenführungen Magnet, Tab & Bevel Version

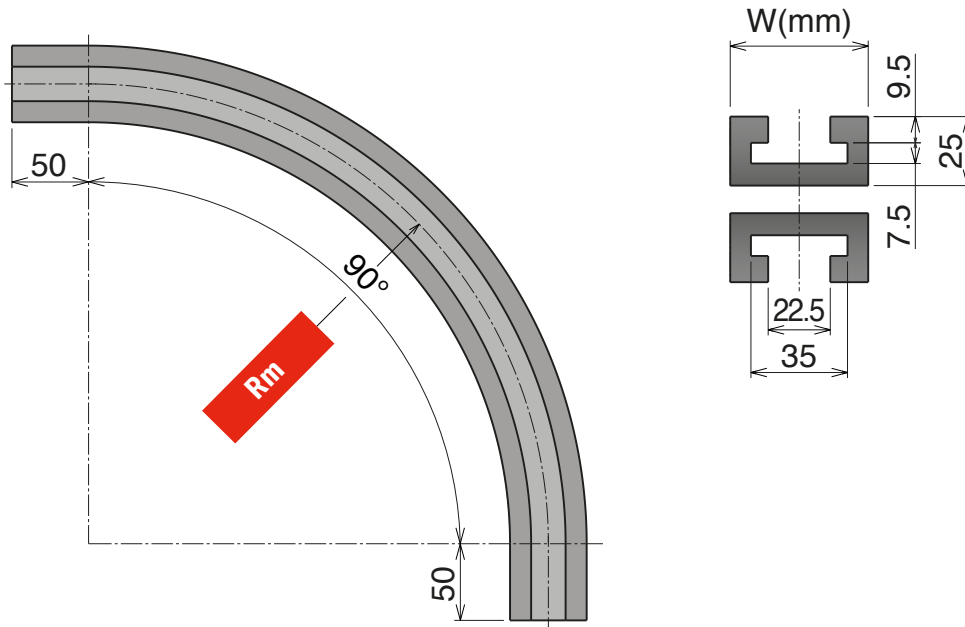
Materiale / Material / Materialien:  
 Polietilene UHMW-PE  
 Polyethylene UHMW-PE  
 Polyäthylen UHMW-PE

# 1843 TAB

Chain Reference


1843 TAB - K125/K200

Supply: Set of 2 pieces (upper & return)



Upper part available, on request,  
 also in **BluLub®**  
 and for abrasive applications.


### TAB SYSTEM

Part	Rm 300	Rm 500	Tracks	W	Material
<b>K125</b>					
740	74020612	74021612	1	50	 <b>Standard</b> codes on table
<b>K200</b>					
741	74120612	74121612	1	70	<b>Upper part:</b>  add " <b>B</b> " for <b>BluLub®</b>


 add "**C**"  
 for abrasive

**Upper and return part:**  

 add "**BB**" for  
**BluLub®**


 add "**CC**"  
 for abrasive



**Materiale / Material / Materialien:**  
 Polietilene UHMW-PE  
 Polyethylene UHMW-PE  
 Polyäthylen UHMW-PE

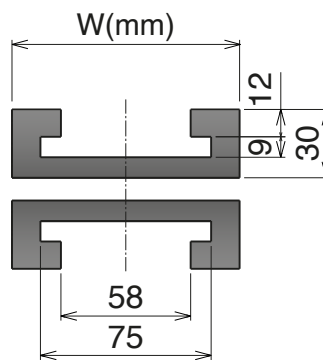
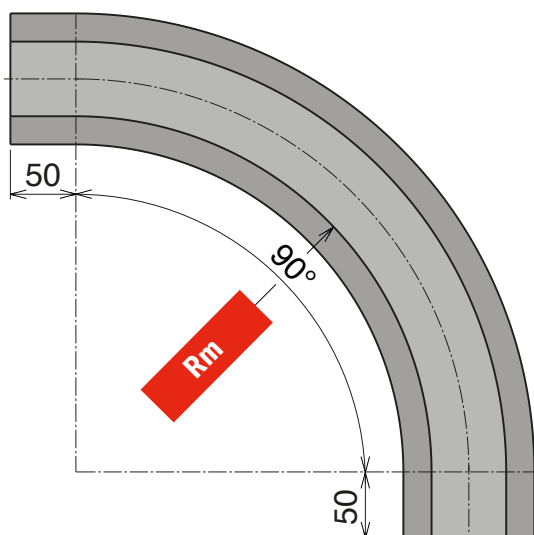
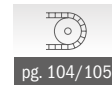
# 1701 TAB-1706 TAB

Curve magnetiche, Tab & Bevel / Magnetic, Tab & Bevel corner tracks / Kurvenführungen Magnet, Tab & Bevel Version

## 1701 TAB-1706 TAB


Chain Reference 1701 TAB - 1701 TAB OP - 1701 TAB OPF - 1706 TAB - K55

Supply: Set of 2 pieces (upper & return)




Upper part available, on request,  
 also in **BluLub®**  
 and for abrasive applications.

### TAB SYSTEM

Part	Rm 250	Rm 500	Tracks	W	Material
<b>K55</b>					
742	74220612	74221612	1	100	 <b>Standard</b> codes on table


#### Upper part:

 add "**B**" for **BluLub®**

 add "**C**" for abrasive

#### Upper and return part:

 add "**BB**" for **BluLub®**

 add "**CC**" for abrasive

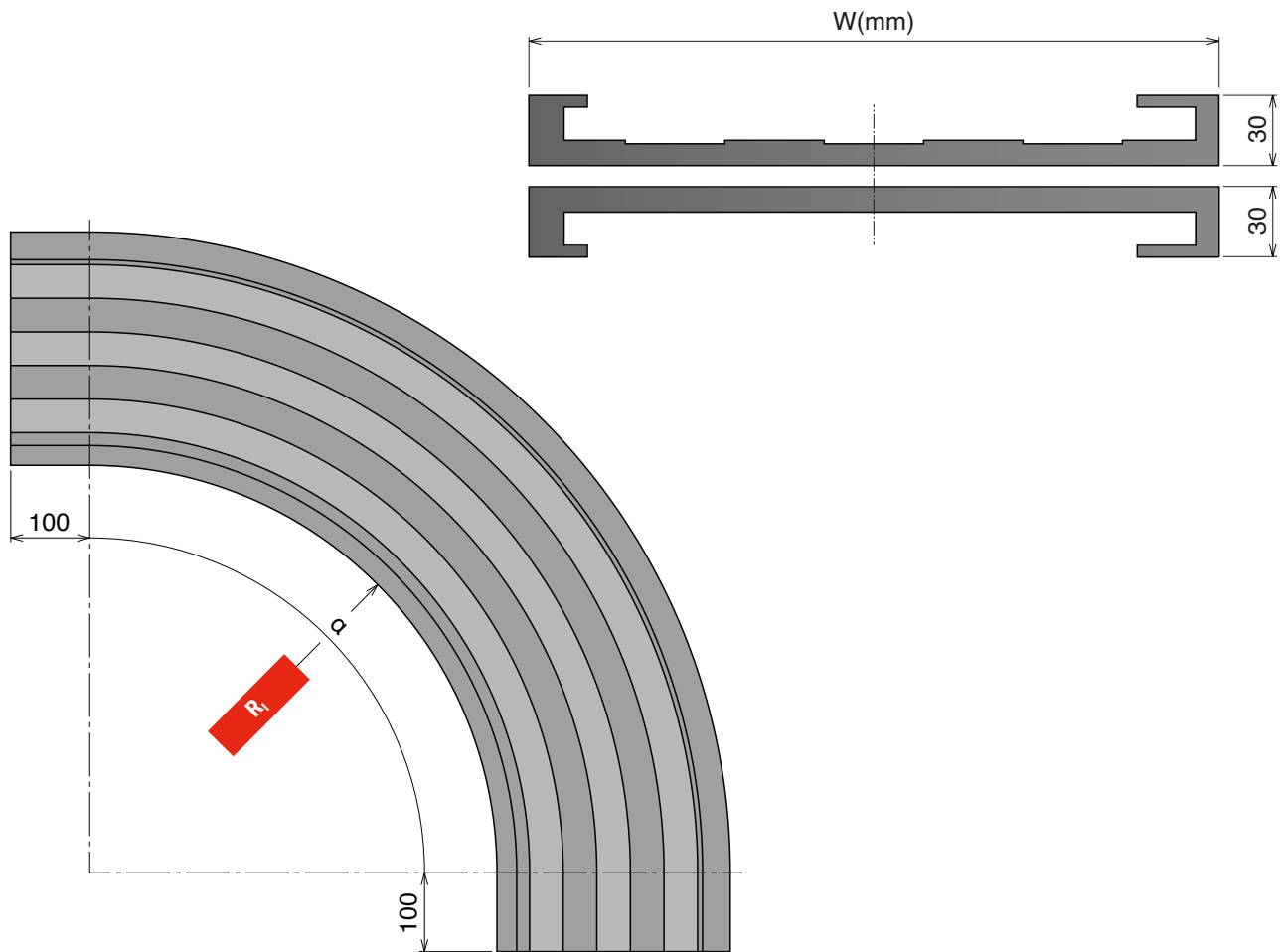
## NEW 600 Standard and Small radius

Belt Reference

600 Standard

600 Small radius

Supply: Set of 2 pieces (upper & return)



Upper part available, on request,  
 also in **BluLub**®  
 add "B" at the end of the code

### 600 Standard

Part	$\alpha 15^\circ$	$\alpha 30^\circ$	$\alpha 45^\circ$	$\alpha 60^\circ$	$\alpha 75^\circ$	$\alpha 90^\circ$	Curve radius $R_1$	Curve width W	Min. belt radius $R_B$	Belt width $W_B$
760	76041114	76041214	76041314	76041414	76041514	76041614	515	295	510	255
760	76042124	76042224	76042324	76042424	76042524	76042624	685	380	680	340
760	76043134	76043234	76043334	76043434	76043534	76043634	855	465	850	425
760	76044144	76044244	76044344	76044444	76044544	76044644	1025	550	1020	510
760	76045154	76045254	76045354	76045454	76045554	76045654	1195	635	1190	595
760	76046164	76046264	76046364	76046464	76046564	76046664	1365	720	1360	680
760	76047174	76047274	76047374	76047474	76047574	76047674	1535	805	1530	765
760	76048184	76048284	76048384	76048484	76048584	76048684	1705	890	1700	850

### 600 Small radius

Part	$\alpha 15^\circ$	$\alpha 30^\circ$	$\alpha 45^\circ$	$\alpha 60^\circ$	$\alpha 75^\circ$	$\alpha 90^\circ$	Curve radius $R_1$	Curve width W	Min. belt radius $R_B$	Belt width $W_B$
760	76051124	76051224	76051324	76051424	76051524	76051624	405	380	400	340
760	76052134	76052234	76052334	76052434	76052534	76052634	505	465	500	425
760	76053144	76053244	76053344	76053444	76053544	76053644	605	550	600	510
760	76054154	76054254	76054354	76054454	76054554	76054654	725	635	720	595
760	76055164	76055264	76055364	76055464	76055564	76055664	885	720	880	680
760	76056174	76056274	76056374	76056474	76056574	76056674	1045	805	1040	765
760	76057184	76057284	76057384	76057484	76057584	76057684	1205	890	1200	850

NEW

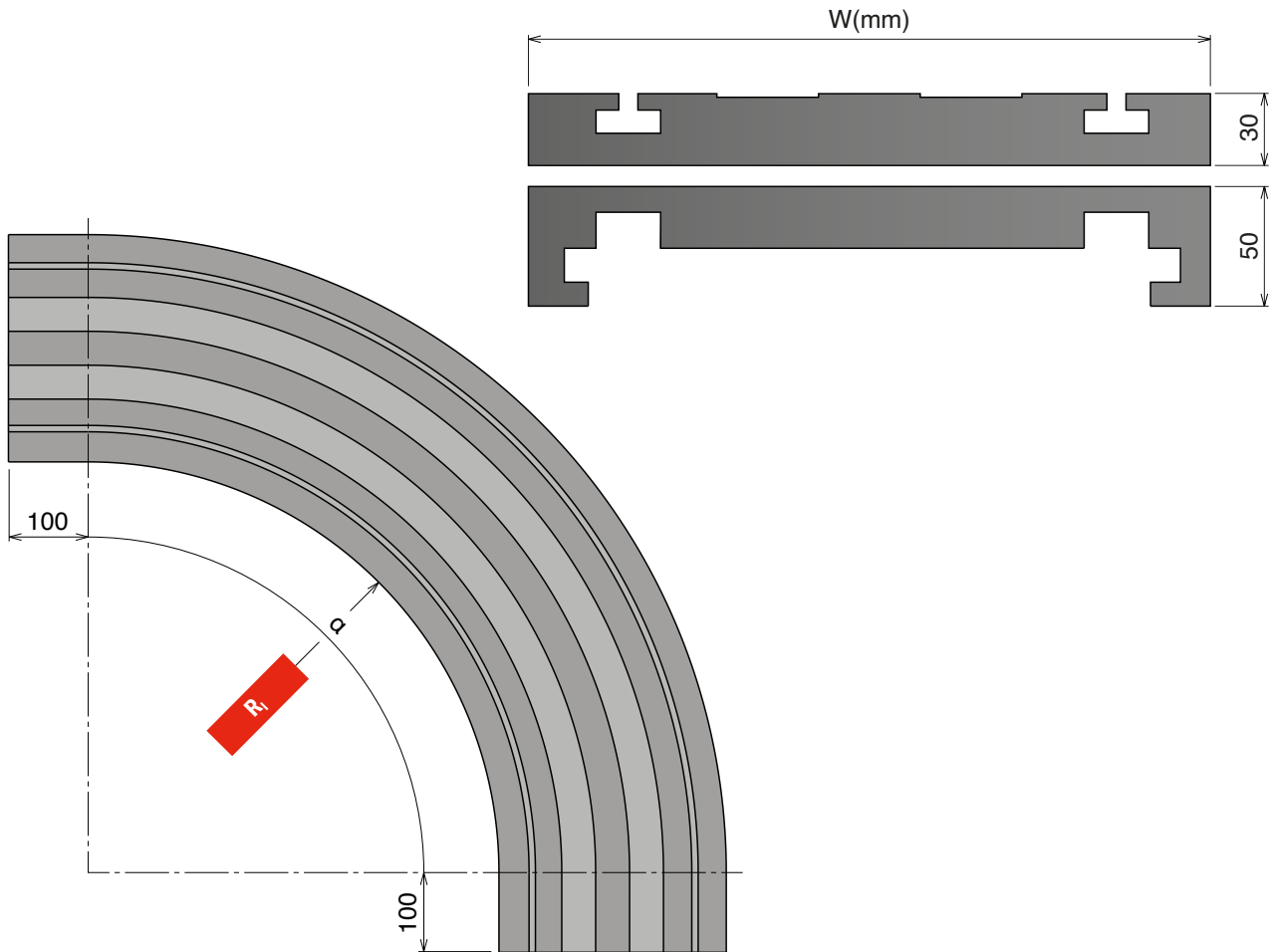
## 600 Standard and Small radius - TAB Version

Belt Reference

600 Standard - TAB / Reverse TAB / TAB reverse TAB

600 Small radius - TAB / Reverse TAB / TAB reverse TAB

Supply: Set of 2 pieces (upper & return)



Upper part available, on request,  
 also in **BluLub®**  
 add "B" at the end of the code

### 600 Standard - TAB / Reverse TAB / TAB reverse TAB

Part	$\alpha 15^\circ$	$\alpha 30^\circ$	$\alpha 45^\circ$	$\alpha 60^\circ$	$\alpha 75^\circ$	$\alpha 90^\circ$	Curve radius $R_i$	Curve width $W$	Min. belt radius $R_B$	Belt width $W_B$
761	76141114	76141214	76141314	76141414	76141514	76141614	515	285	510	255
761	76142124	76142224	76142324	76142424	76142524	76142624	685	370	680	340
761	76143134	76143234	76143334	76143434	76143534	76143634	855	455	850	425
761	76144144	76144244	76144344	76144444	76144544	76144644	1025	540	1020	510
761	76145154	76145254	76145354	76145454	76145554	76145654	1195	625	1190	595
761	76146164	76146264	76146364	76146464	76146564	76146664	1365	710	1360	680
761	76147174	76147274	76147374	76147474	76147574	76147674	1535	795	1530	765
761	76148184	76148284	76148384	76148484	76148584	76148684	1705	880	1700	850

### 600 Small radius - TAB / Reverse TAB / TAB reverse TAB

Part	$\alpha 15^\circ$	$\alpha 30^\circ$	$\alpha 45^\circ$	$\alpha 60^\circ$	$\alpha 75^\circ$	$\alpha 90^\circ$	Curve radius $R_i$	Curve width $W$	Min. belt radius $R_B$	Belt width $W_B$
761	76151124	76151224	76151324	76151424	76151524	76151624	405	370	400	340
761	76152134	76152234	76152334	76152434	76152534	76152634	505	455	500	425
761	76153144	76153244	76153344	76153444	76153544	76153644	605	540	600	510
761	76154154	76154254	76154354	76154454	76154554	76154654	725	625	720	595
761	76155164	76155264	76155364	76155464	76155564	76155664	885	710	880	680
761	76156174	76156274	76156374	76156474	76156574	76156674	1045	795	1040	765
761	76157184	76157284	76157384	76157484	76157584	76157684	1205	880	1200	850

# 600 Heavy duty and Heavy duty/Small radius

Tratti rettilinei / Straight track section / Gerade Schienen

Materiale / Material / Materialien:  
 Polietilene UHMW-PE / **BluLub**  
 Polyethylene UHMW-PE / **BluLub**  
 Polyäthylen UHMW-PE / **BluLub**

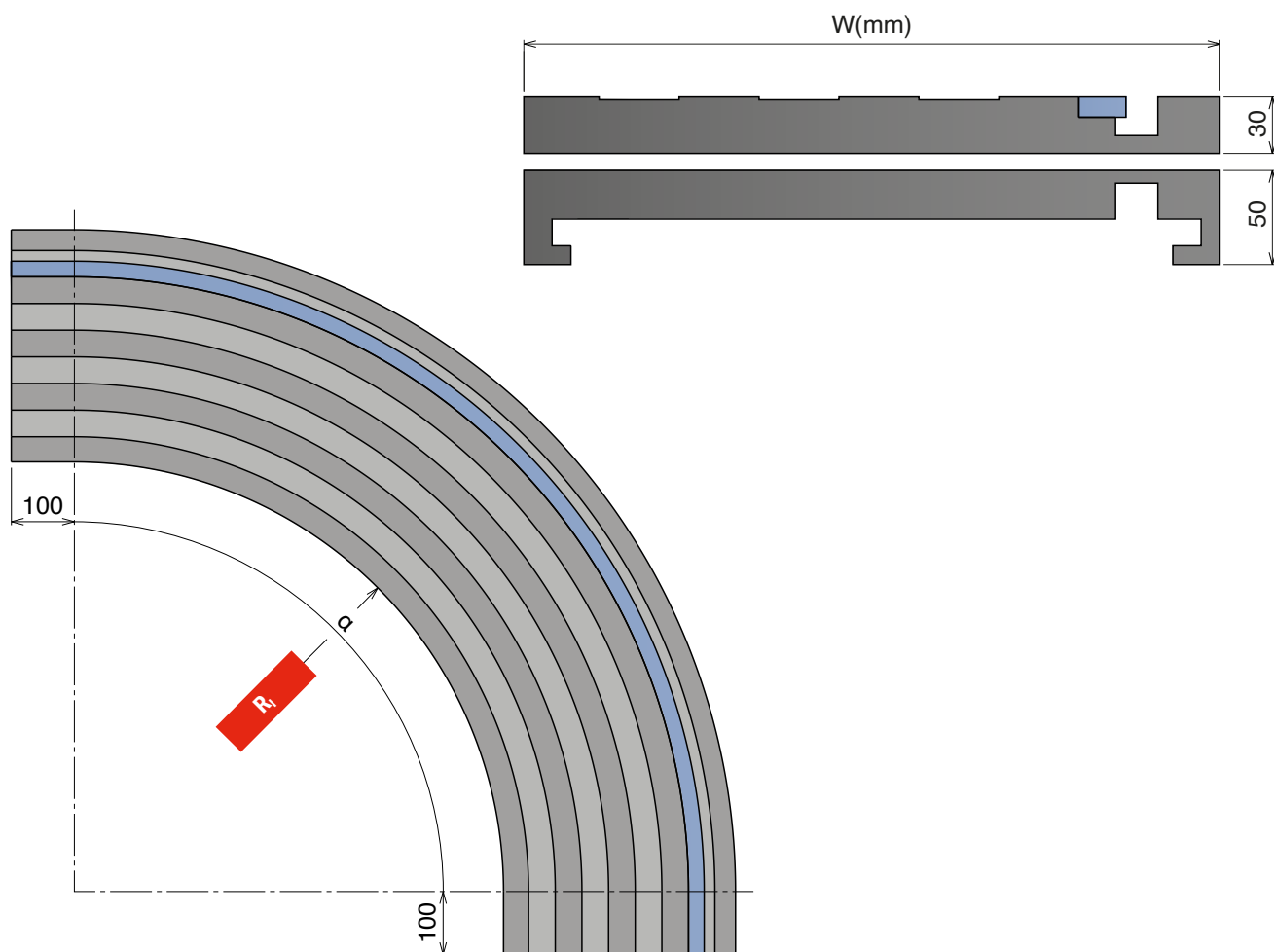
## NEW 600 Heavy duty and Heavy duty/Small radius

Belt Reference

600 Heavy duty

600 Heavy duty / Small radius

Supply: Set of 2 pieces (upper & return)



### 600 Heavy duty

Standard with **BluLub**® strip for minimized friction

Part	$\alpha 15^\circ$	$\alpha 30^\circ$	$\alpha 45^\circ$	$\alpha 60^\circ$	$\alpha 75^\circ$	$\alpha 90^\circ$	Curve radius $R_i$	Curve width $W$	Min. belt radius $R_B$	Belt width $W_B$
762	76241114	76241214	76241314	76241414	76241514	76241614	515	285	510	255
762	76242124	76242224	76242324	76242424	76242524	76242624	685	370	680	340
762	76243134	76243234	76243334	76243434	76243534	76243634	855	455	850	425
762	76244144	76244244	76244344	76244444	76244544	76244644	1025	540	1020	510
762	76245154	76245254	76245354	76245454	76245554	76245654	1195	625	1190	595
762	76246164	76246264	76246364	76246464	76246564	76246664	1365	710	1360	680
762	76247174	76247274	76247374	76247474	76247574	76247674	1535	795	1530	765
762	76248184	76248284	76248384	76248484	76248584	76248684	1705	880	1700	850

### 600 Heavy duty/Small radius

Part	$\alpha 15^\circ$	$\alpha 30^\circ$	$\alpha 45^\circ$	$\alpha 60^\circ$	$\alpha 75^\circ$	$\alpha 90^\circ$	Curve radius $R_i$	Curve width $W$	Min. belt radius $R_B$	Belt width $W_B$
762	76250114	76250214	76250314	76250414	76250514	76250614	395	285	390	255
762	76251124	76251224	76251324	76251424	76251524	76251624	425	370	420	340
762	76252134	76252234	76252334	76252434	76252534	76252634	505	455	500	425
762	76253144	76253244	76253344	76253444	76253544	76253644	605	540	600	510
762	76254154	76254254	76254354	76254454	76254554	76254654	725	625	720	595
762	76255164	76255264	76255364	76255464	76255564	76255664	885	710	880	680
762	76256174	76256274	76256374	76256474	76256574	76256674	1045	795	1040	765
762	76257184	76257284	76257384	76257484	76257584	76257684	1205	880	1200	850

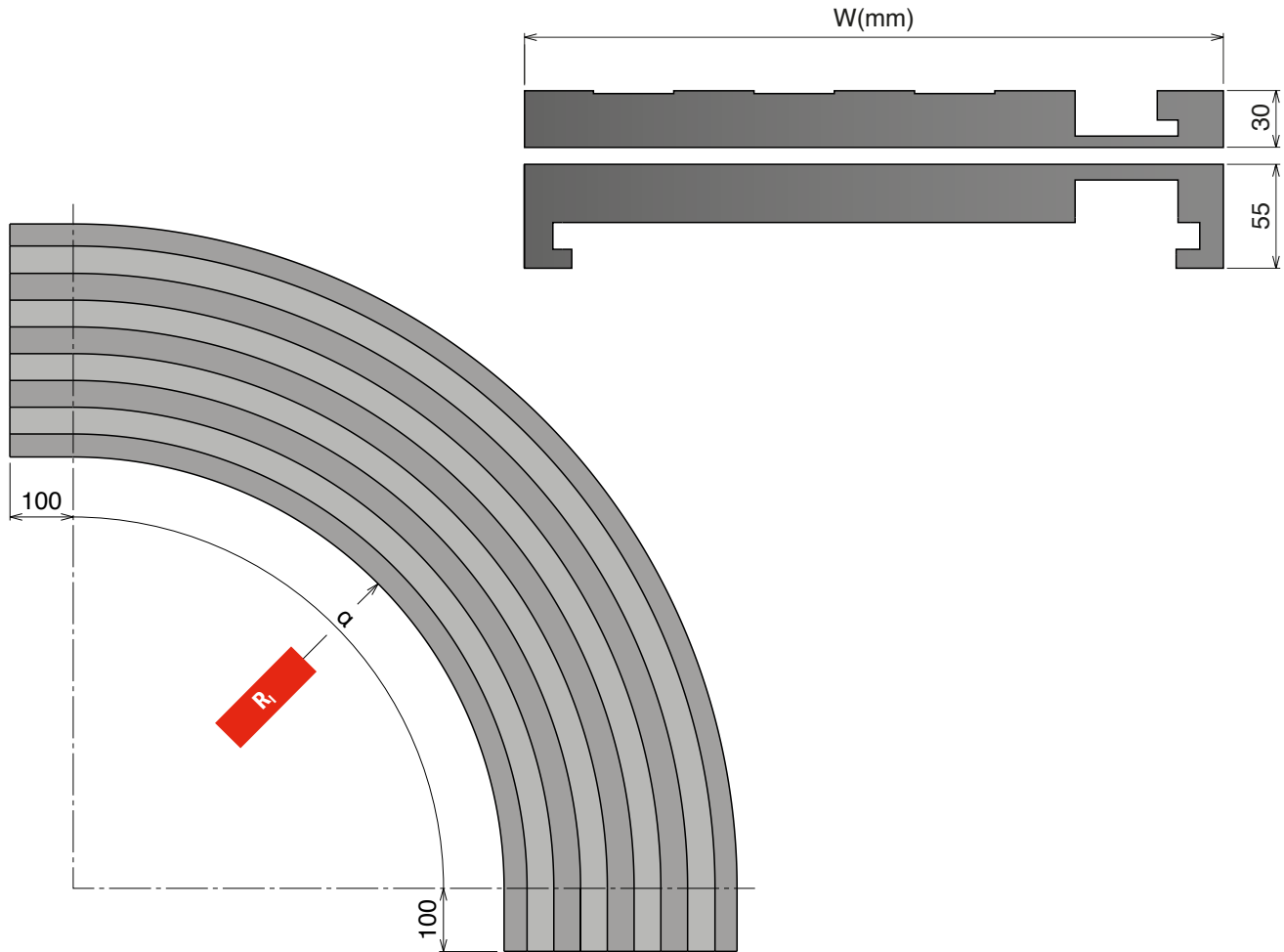
**NEW** **600 with Bearings**

Belt Reference

600 Heavy duty with Bearings

600 Heavy duty/Small radius with Bearings

Supply: Set of 2 pieces (upper & return)



Upper part available, on request,  
 also in **BluLub®**  
 add "B" at the end of the code

**600 Heavy duty with Bearings**

Part	$\alpha$ 15°	$\alpha$ 30°	$\alpha$ 45°	$\alpha$ 60°	$\alpha$ 75°	$\alpha$ 90°	Curve radius $R_i$	Curve width $W$	Min. belt radius $R_B$	Belt width $W_B$
763	76341114	76341214	76341314	76341414	76341514	76341614	515	285	510	255
763	76342124	76342224	76342324	76342424	76342524	76342624	685	370	680	340
763	76343134	76343234	76343334	76343434	76343534	76343634	855	455	850	425
763	76344144	76344244	76344344	76344444	76344544	76344644	1025	540	1020	510
763	76345154	76345254	76345354	76345454	76345554	76345654	1195	625	1190	595
763	76346164	76346264	76346364	76346464	76346564	76346664	1365	710	1360	680
763	76347174	76347274	76347374	76347474	76347574	76347674	1535	795	1530	765
763	76348184	76348284	76348384	76348484	76348584	76348684	1705	880	1700	850

**600 Heavy duty/Small radius with Bearings**

Part	$\alpha$ 15°	$\alpha$ 30°	$\alpha$ 45°	$\alpha$ 60°	$\alpha$ 75°	$\alpha$ 90°	Curve radius $R_i$	Curve width $W$	Min. belt radius $R_B$	Belt width $W_B$
763	76350114	76350214	76350314	76350414	76350514	76350614	395	285	390	255
763	76351124	76351224	76351324	76351424	76351524	76351624	425	370	420	340
763	76352134	76352234	76352334	76352434	76352534	76352634	505	455	500	425
763	76353144	76353244	76353344	76353444	76353544	76353644	605	540	600	510
763	76354154	76354254	76354354	76354454	76354554	76354654	725	625	720	595
763	76355164	76355264	76355364	76355464	76355564	76355664	885	710	880	680
763	76356174	76356274	76356374	76356474	76356574	76356674	1045	795	1040	765
763	76357184	76357284	76357384	76357484	76357584	76357684	1205	880	1200	850

# 880-881-8811 B

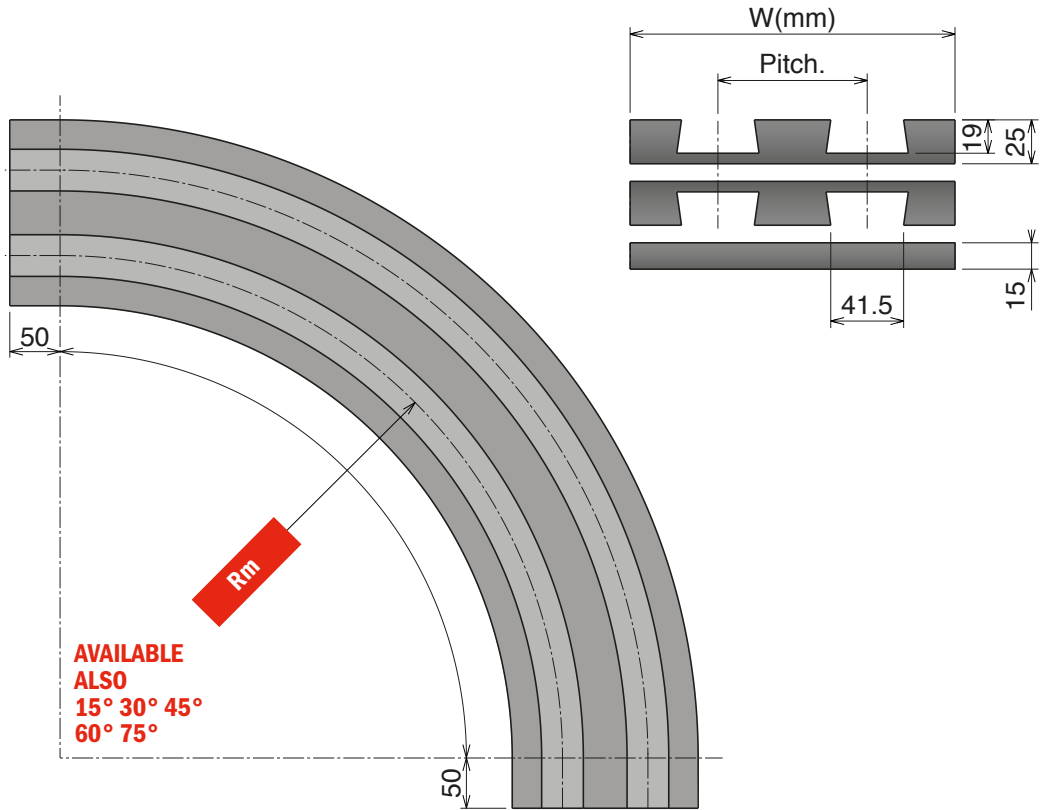
Curve magnetiche, Tab & Bevel / Magnetic, Tab & Bevel corner tracks / Kurvenführungen Magnet, Tab & Bevel Version

Materiale / Material / Materialien:  
 Polietilene UHMW-PE  
 Polyethylene UHMW-PE  
 Polyäthylen UHMW-PE

# 880-881-8881 B

Chain Reference    880 B - K325    881 B - K325    8881 B - K325

Supply: Set of 3 pieces (upper, return & plate)



AVAILABLE  
 ALSO  
 15° 30° 45°  
 60° 75°


## BEVEL SYSTEM


Upper part available, on request,  
 also in **BluLub®**  
 and for abrasive applications.


Part	Rm 500	Rm 610	Rm 800	Rm 1000	Tracks	W	Pitch	Material
<b>K325</b>								
770	77031612	77033612	77037612	77039612	1	100	85	
770	77031622	77033622	77037622	77039622	2	185		
770	77031632	77033632	77037632	77039632	3	270		
770	77031642	77033642	77037642	77039642	4	355		
770	77031652	77033652	77037652	77039652	5	440		
770	77031662	77033662	77037662	77039662	6	525		

 **Standard** codes on table

**Upper part:**  
 add "**B**" for **BluLub®**

 add "**C**" for abrasive

**Upper and return part:**  
 add "**BB**" for **BluLub®**

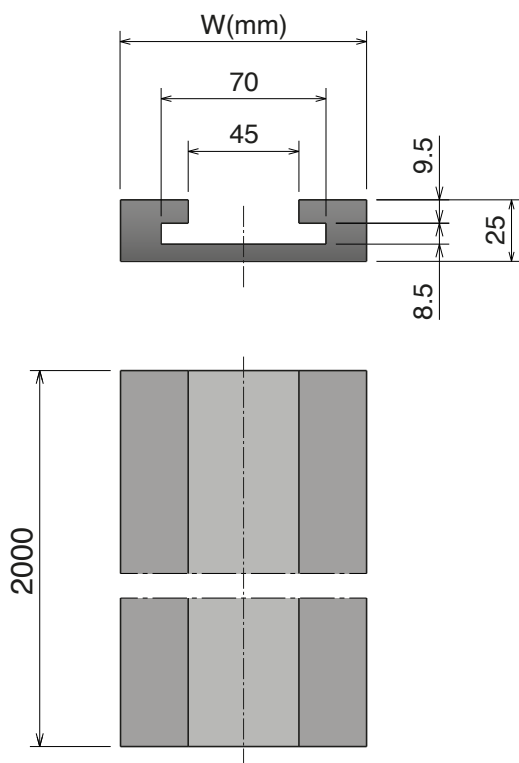
 add "**CC**" for abrasive

## 878-879-880-881-888-260-261 TAB

Chain Reference 878-879 TAB - K325/K450 880-881-8811 TAB - K325/K450/K750 888 TAB - W80/140/200 260-261 TAB - K330/K450

Supply: 1 pieces

### Straight track section



Straight track available, on request,  
 also in **BluLub®**  
 and for abrasive applications.

#### TAB SYSTEM

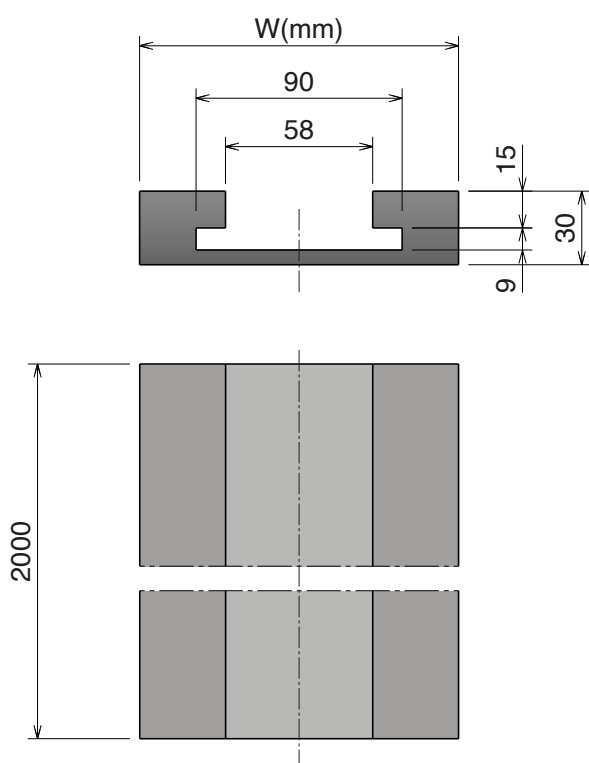
Part	Article-Nr.	W	Length	Material
<b>K325/W80</b>				
790	79023010	100	2000	 Standard codes on table
<b>K450</b>				
790	79024010	130	2000	 add "B" for BluLub®
<b>W140</b>				
796	79620110	155	2000	 add "C" for abrasive
<b>K750</b>				
790	79026010	200	2000	
<b>W200</b>				
796	79622110	215	2000	

## 882 TAB Straight track section

Chain Reference 882 TAB - K450/K750/K1000/K1200

Delivery: Easy Standard

Supply: 1 pieces



Straight track available, on request,  
 also in **BluLub®**  
 and for abrasive applications.

#### TAB SYSTEM

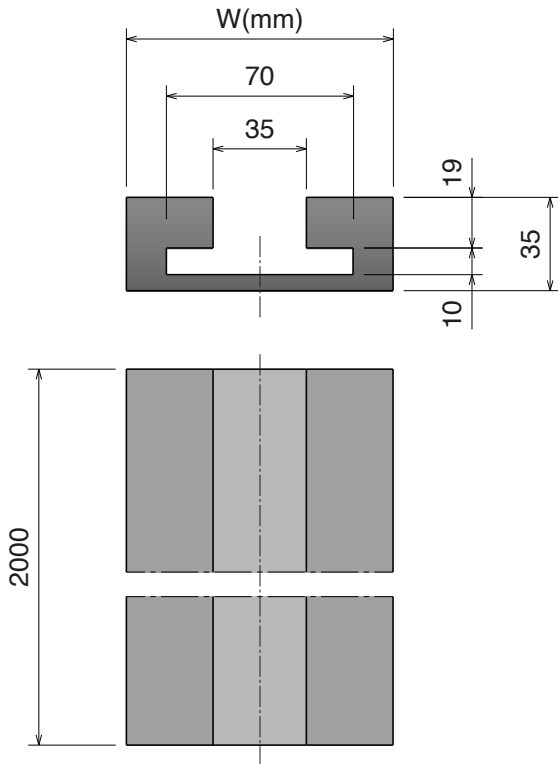
Part	Article-Nr.	W	Length	Material
<b>K450</b>				
791	79124010	130	2000	 Standard codes on table
<b>K750</b>				
791	79126010	200	2000	 add "B" for BluLub®
<b>K1000</b>				
791	79127010	270	2000	 add "C" for abrasive
<b>K1200</b>				
791	79128010	320	2000	

## 1873-1874 TAB Straight track section

Chain Reference 1873 TAB-1874 TAB - K325/K450/K600/K750/K1000/K1200

Delivery: Easy Standard

Supply: 1 pieces



Straight track available, on request, also in **BluLub®** and for abrasive applications.

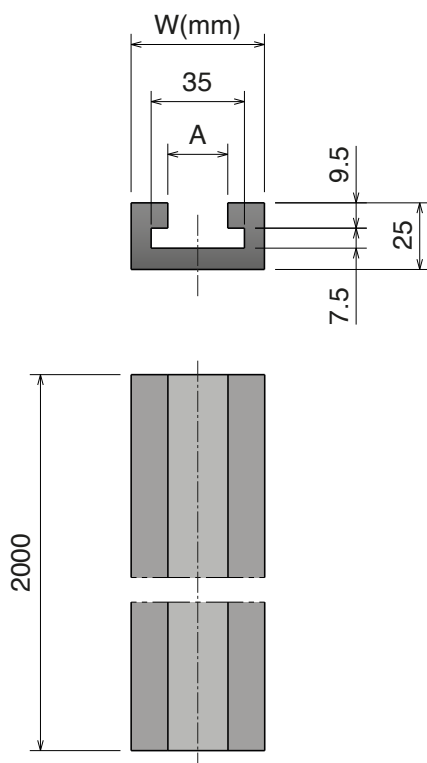
### TAB SYSTEM

Part	Article-Nr.	W	Length	Material
<b>K325</b>				
792	79223010	100	2000	 <b>Standard</b> codes on table
<b>K450</b>				
792	79224010	130	2000	 add " <b>B</b> " for <b>BluLub®</b>
<b>K600</b>				
792	79225010	170	2000	 add " <b>C</b> " for abrasive
<b>K750</b>				
792	79226010	200	2000	
<b>K1000</b>				
792	79227010	270	2000	
<b>K1200</b>				
792	79228010	320	2000	

## 1843 TAB Straight track section




Chain Reference 1843 TAB - K125/K200

Supply: 1 pieces



Straight track available, on request, also in **BluLub®** and for abrasive applications.

### TAB SYSTEM

Part	Article-Nr.	W	A	Length	Material
<b>K125</b>					
793	79321010	50	22,5	2000	 <b>Standard</b> codes on table
<b>K200</b>					
793	79322010	70	22,3	2000	 add " <b>B</b> " for <b>BluLub®</b>  add " <b>C</b> " for abrasive



Materiale / Material / Materialien:  
 Polietilene UHMW-PE  
 Polyethylene UHMW-PE  
 Polyäthylen UHMW-PE

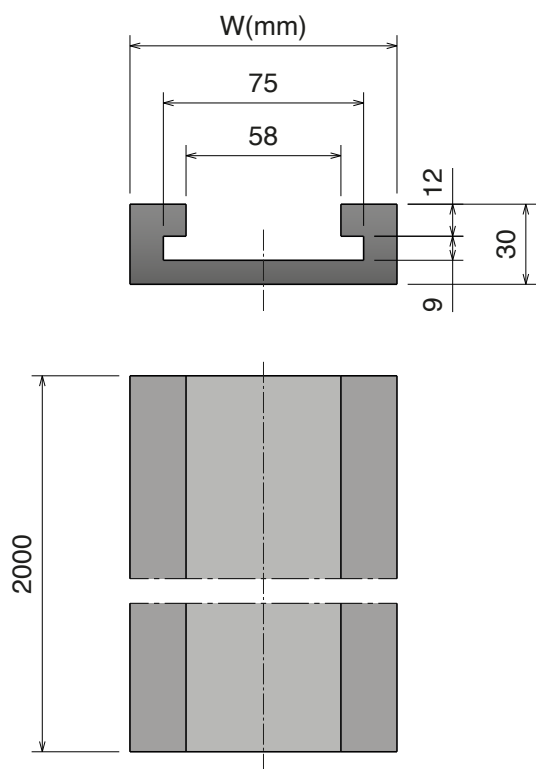
# 1701 TAB-1706 TAB

Tratti rettilinei / Straight track section / Gerade Schienen

## 1701 TAB-1706 TAB Straight track section


Chain Reference 1701 TAB - 1701 TAB OP- 1706 TAB - K55

Supply: 1 pieces



Straight track available, on request,  
also in **BluLub®**  
and for abrasive applications.

### TAB SYSTEM

Part	Article-Nr.	W	Length	Material
<b>K55</b>				 <b>Standard</b> codes on table
<b>794</b>	<b>79420010</b>	100	2000	



add "**B**" for **BluLub®**



add "**C**" for abrasive

The best choice for dry running applications.

**PFX** is the plastic material specifically developed for chains and belts in order to run with limited lubrication or in dry applications where the demands are extreme concerning speed, performance & efficiency.

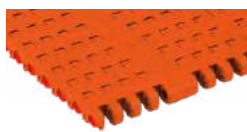
Realizing the many advantages and the versatility of our plastic compound, a growing number of companies are implementing **PFX** into their production lines with excellent results. Contact us, and request a free quotation!

## Modular belts available:

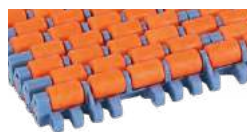
Other different types of product in PFX are on request.



520 FT



520 HD FT



520 PRO LBP



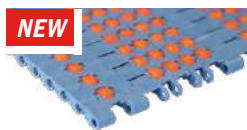
520 M



525 HD FT



525 HD FG



530 PRO LBP



550 FT &  
One track belt



550 FG &  
One track belt



550 PRO FT



550 PRO M



551 FT



551 PRO LBP



260 M FT



260 M FG



260 TAB



261 M FT



261 TAB



### Low friction

Developed to reduce friction between chain and product, and chain and wearstrip.



### High performance

Longer wear life lead to excellent and long enduring product handling features.



### Minimal dusting

Developed to avoid dusting under extreme circumstances.



### Control of cost

Better control of total cost & sustainable conveyor technology.



### Food contact Certified

PFX material is suitable in food application.



### Patented material

PFX is an exclusive product of Movex.

Energy saving

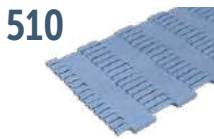
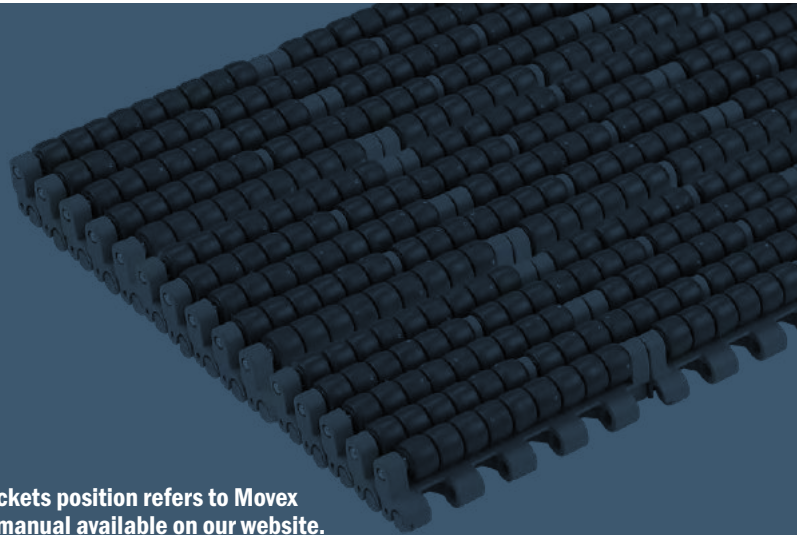
Low friction

High efficiency

High visibility

FDA APPROVAL

For belt sprockets position refers to Movex engineering manual available on our website.



**510 FT**  
Pag 182



**522 HD FT**  
Pag 194

**522 HD One track Belt**  
Pag 195



**530 FT**  
Pag 208

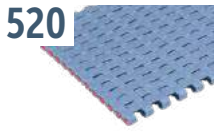
**530 FTT**  
Pag 209

**530 GT**  
Pag 210

**530 GT Side indent**  
Pag 211

**530 LBP**  
Pag 212

**530 PRO LBP**  
Pag 213



**520 FT**  
Pag 184

**520 HD FT**  
Pag 185

**520 FTT**  
Pag 186

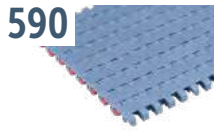
**520 FG**  
Pag 187

**520 GT**  
Pag 188

**520 LBP**  
Pag 189

**520 PRO LBP**  
Pag 190

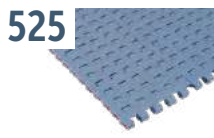
**520 M**  
Pag 191



**590 FT**  
Pag 197

**590 FT One track Belt**  
Pag 198

**590 FTT**  
Pag 199



**525 HD FT**  
Pag 201

**525 HD FT + RIB**  
Pag 202

**525 FTT**  
Pag 203

**525 HD FG**  
Pag 204

**525 HD GT**  
Pag 205

**525 HD GT Side indent**  
Pag 206



**550 FT**  
Pag 215

**550 FT One track Belt**  
Pag 216

**550 FTT**  
Pag 217

**550 FG**  
Pag 218

**550 FG One track Belt**  
Pag 219

**550 GT**  
Pag 220

**550 GT Side indent**  
Pag 221

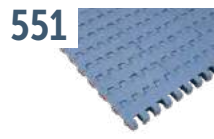
**550 FLIGHT TOP**  
Pag 222/223

**550 PRO FT**  
Pag 224

**550 PRO M**  
Pag 225



**521 FT**  
Pag 193



**551 FT**  
Pag 227

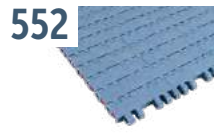
**551 FTT**  
Pag 228

**551 GT**  
Pag 229

**551 GT Side indent**  
Pag 230

**551 LBP**  
Pag 231

**551 PRO LBP**  
Pag 232



**552 FT**  
Pag 234

**552 FT One track Belt**  
Pag 235

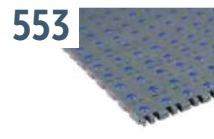
**552 FTT**  
Pag 236

**552 PT**  
Pag 237

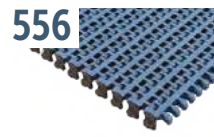
**552 PT One track Belt**  
Pag 238

**552 GT**  
Pag 239

**552 GT Side indent**  
Pag 240

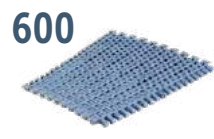


**553 FLEX TOP**  
Pag 242/243



**556 FT**  
Pag 245

**556 GT**  
Pag 246



**600 Standard**  
Pag 248

**600 Heavy duty**  
Pag 249

**600 Heavy duty with Bearings**  
Pag 250

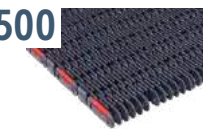
**600 Small radius**  
Pag 251

**600 Heavy duty/ Small radius**  
Pag 252

**600 Heavy duty/ Small radius with Bearings**  
Pag 253

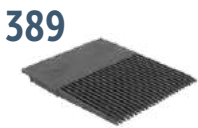
**600 with pusher**  
Pag 254

**1047 Heavy duty guide**  
Pag 254



**500 RR**  
Pag 256

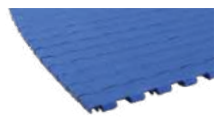
**500 RR with Positioner**  
Pag 257



**389 Combs**  
Pag 258



**ZERO CONTACT**  
Pag 260/261



**ZERO CONTACT PRO**  
Pag 262/263



**260 M FT**  
Pag 265

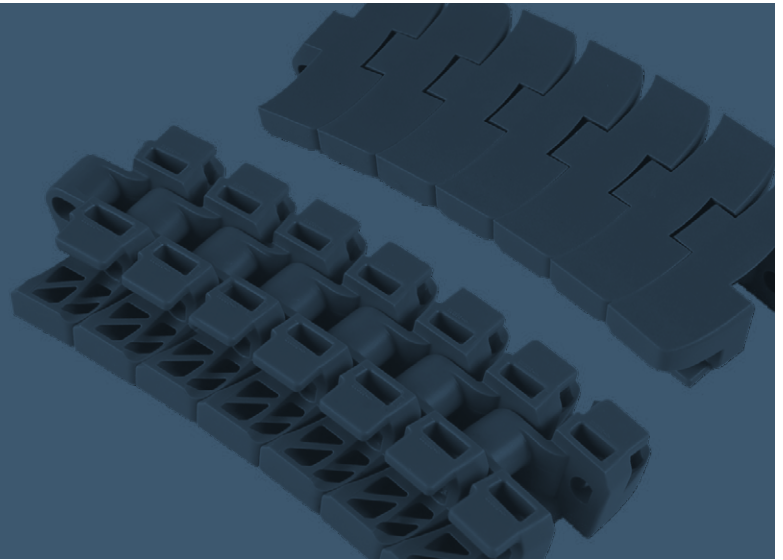
**260 M FG**  
Pag 266

**260 TAB**  
Pag 267



**261 M FT**  
Pag 268

**261 TAB**  
Pag 269



**NoseBars Standard**

for Modular belt:



**510 Series**  
Pag 273

**520 Series**  
Pag 273

**525 Series**  
Pag 273

**521 Series**  
Pag 274

**522 HD Series**  
Pag 274

**530 Series**  
(LBP excluded) Pag 275

**530 LBP**  
Pag 275

**530 PRO LBP**  
Pag 276

**NoseBars with Bearings**

for Modular belt:



**520 Series**  
Pag 277

**525 Series**  
Pag 277

**521 Series**  
Pag 277

**522 HD Series**  
Pag 278

**530 Series**  
(LBP excluded) Pag 278

**530 LBP**  
Pag 279

**530 PRO LBP**  
Pag 279

**NoseBars with Rollers**

for Modular belt:



**520 Series**  
Pag 280

**525 Series**  
Pag 280

**521 Series**  
Pag 280

**522 HD Series**  
Pag 281

**530 Series**  
(LBP excluded) Pag 281

**One piece**

Custom made NoseBar, supplied in a single piece.

One piece is the system patented by Movex that greatly reduces the time necessary for the conveyor maintenance: being a single piece, of the required size, it is quick to install and easy to clean.

**Standard**

for Modular belt:



**520 Series**  
Pag 282

**525 Series**  
Pag 282

**522 HD Series**  
Pag 282

**530 Series**  
Pag 282

**with Bearings**

for Modular belt:



**520 Series**  
Pag 283

**525 Series**  
Pag 283

**522 HD Series**  
Pag 283

**530 Series**  
Pag 283

**with Rollers**

for Modular belt:



**520 Series**  
Pag 284

**525 Series**  
Pag 284

**522 HD Series**  
Pag 284

**530 Series**  
Pag 284

# 510 Series

# 510

Pitch 8 mm

H= 6 mm



Imperial Size

510 FT

**Movex**<sup>®</sup>

## 510 FT

Tappeto Modulare 510 FT, H=6 M=3"  
Modular Belt Series 510 FT, H=6 M=3" / Modulare Mattenkette 510 FT, H=6 M=3"

### CODE STRUCTURE GUIDE (Example)

Backflex radius min.: 7.5 mm

<b>5331</b>	<b>01</b>	<b>0012</b>	<b>A</b>
Series	*Material	Width	Version

			
pg. 312	pg. 273	pg. 296/298	pg. 651>661

### SAMPLE BOX

Art.-Nr. **5331018889A**



- Easier installation
- Quicker maintenance



**8 mm**  
PITCH

### \*Material

#### LFA - Code 01

Low friction Acetal

#### Easy Delivery

Max w. load: 3000 N/m  
Weight: 5,8 kg/m<sup>2</sup>  
Temp. range dry: -40+80 °C  
Temp. range wet: -40+65 °C  
Pin material: PBT grey

#### MX - Code 03

Performance PBT

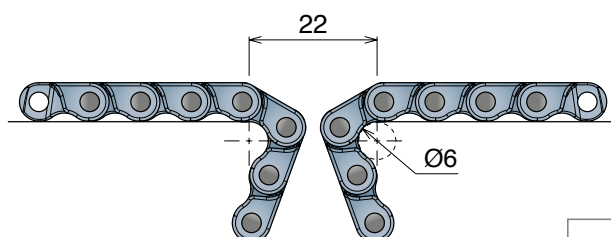
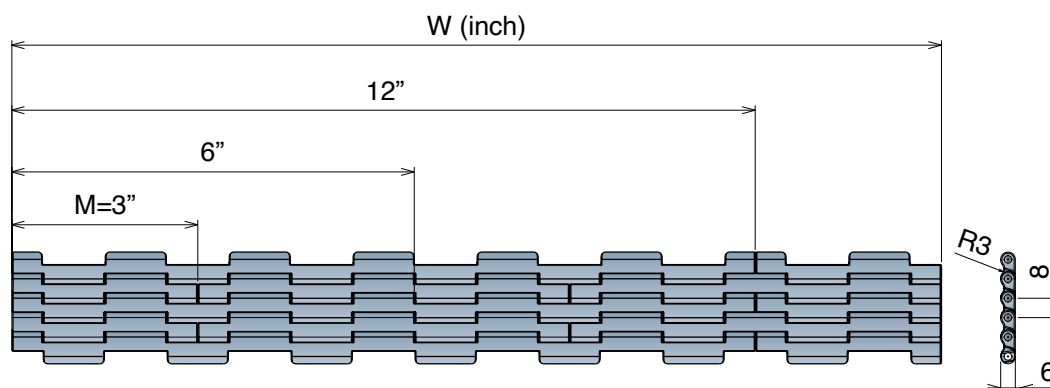
Max w. load: 2700 N/m  
Weight: 5,5 kg/m<sup>2</sup>  
Temp. range dry: -40+120 °C  
Temp. range wet: -40+60 °C  
Pin material: POM grey

#### LFB - Code 23

Low friction Acetal

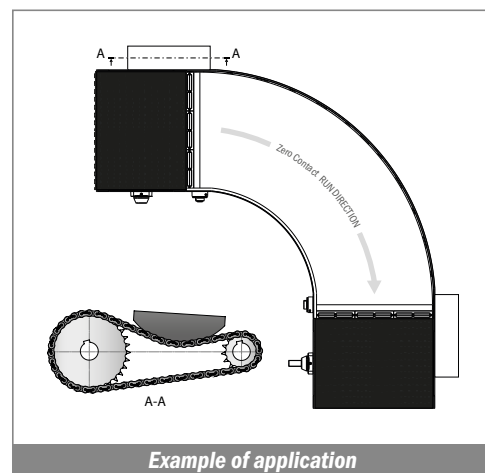
Max w. load: 3000 N/m  
Weight: 5,8 kg/m<sup>2</sup>  
Temp. range dry: -40+80 °C  
Temp. range wet: -40+65 °C  
Pin material: PBT grey

### Version A - Standard



### Version A - Standard

Series	Material	Width	Version
5331	*	0003	A
5331	*	0006	A
5331	*	0009	A
5331	*	0012	A
5331	*	0015	A
5331	*	0018	A
5331	*	0021	A
5331	*	0024	A
5331	*	0027	A
5331	*	0030	A
5331	*	0033	A
5331	*	0036	A
5331	*	0039	A
5331	*	0042	A
5331	*	0045	A
5331	*	0048	A



**NEW**

### 510 FT MOVEX TOOL

Developed to facilitate belt assembly and disassembly.

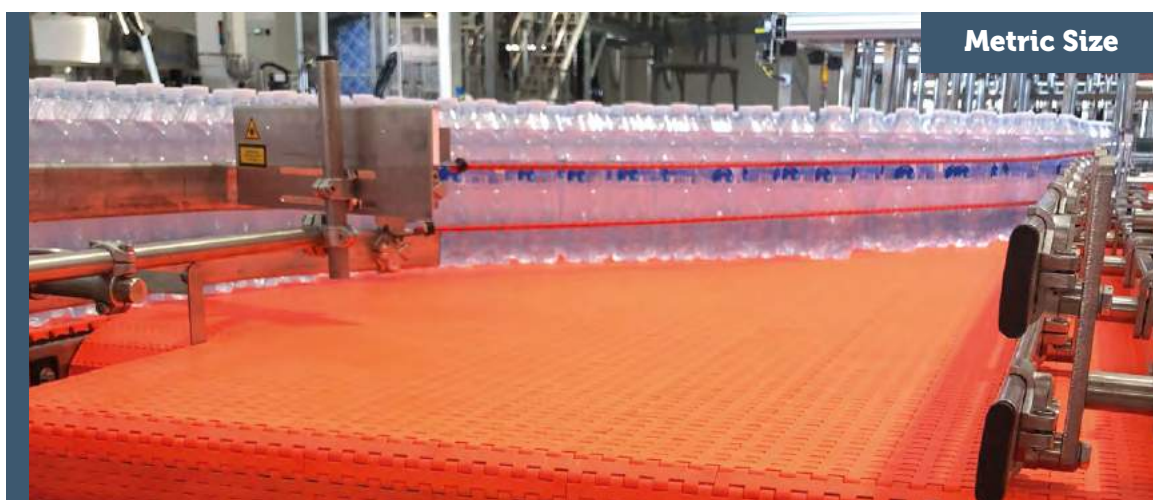


Article Nr. **29969**

Movex tools are made with 3D printer, the color may vary due to availability of the material.

# 520

Pitch 12,7 mm  
H= 8,7 mm



520 FT  
520 HD FT  
520 FTT  
520 FG  
520 GT  
520 LBP

520 PRO LBP  
520 M




## 520 FT

Tappeto Modulare 520 FT, H=8,7 M=85  
Modular Belt Series 520 FT, H=8,7 M=85 / Modulare Mattenkette 520 FT, H=8,7 M=85

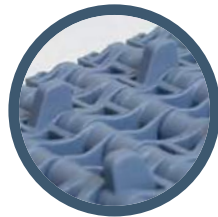
### CODE STRUCTURE GUIDE (Example)

Backflex radius min.: 10 mm

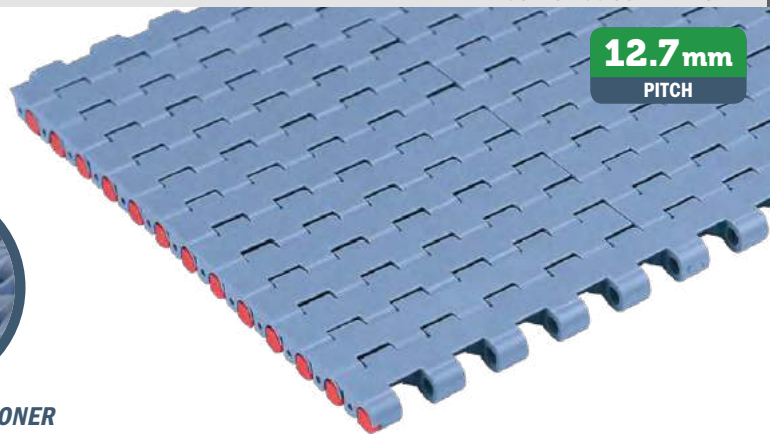
<b>5201</b>	<b>01</b>	<b>0085</b>	<b>A</b>
Series	*Material	Width	Version

		
pg. 315-316	273/277/280	pg. 651->661

<b>SAMPLE BOX</b>	
Art.-Nr.	<b>5201018888A</b>



REINFORCED POSITIONER



**12.7mm**  
PITCH

### \*Material

#### LFA - Code 01

Low friction Acetal

Easy Delivery

Max w. load: 21500 N/m  
Weight: 7,8 kg/m<sup>2</sup>  
Temp. range dry: -40+80 °C  
Temp. range wet: -40+65 °C  
Pin material: PBT white

#### PP - Code 02

Polypropylene

Max w. load: 13000 N/m  
Weight: 7,5 kg/m<sup>2</sup>  
Temp. range dry: 4+104 °C  
Temp. range wet: 4+104 °C  
Pin material: PP blue

#### MX - Code 03

Performance PBT

Max w. load: 17500 N/m  
Weight: 7,5 kg/m<sup>2</sup>  
Temp. range dry: -40+120 °C  
Temp. range wet: -40+60 °C  
Pin material: POM grey

#### LFB - Code 23

Low friction Acetal

Max w. load: 21500 N/m  
Weight: 7,8 kg/m<sup>2</sup>  
Temp. range dry: -40+80 °C  
Temp. range wet: -40+65 °C  
Pin material: PBT white

#### MPX - Code 25

Lubricated Acetal

Max w. load: 21500 N/m  
Weight: 7,8 kg/m<sup>2</sup>  
Temp. range dry: -40+80 °C  
Temp. range wet: -40+65 °C  
Pin material: PBT white

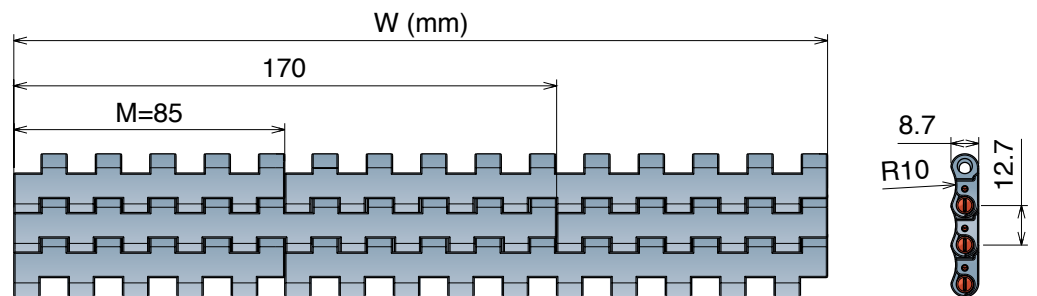
#### PFX - Code 30

Extra performance PBT

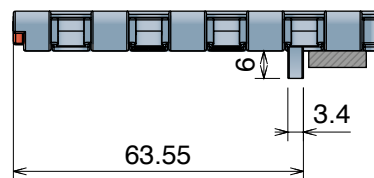
Max w. load: 17500 N/m  
Weight: 7,5 kg/m<sup>2</sup>  
Temp. range dry: -40+120 °C  
Temp. range wet: -40+60 °C  
Pin material: POM grey

**THE BEST CHOICE FOR DRY RUNNING APPLICATIONS**

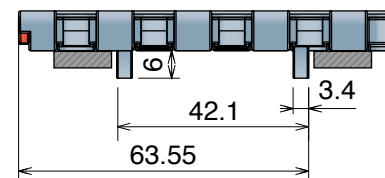
### Version A - Standard



### Version B - With 1 Positioner



### Version C - With 2 Positioners



### Version A - Standard

Series	Material	Width	Version
5201	*	0085	A
5201	*	0170	A
5201	*	0255	A
5201	*	0340	A
5201	*	0425	A
5201	*	0510	A
5201	*	0595	A
5201	*	0680	A
5201	*	0765	A
5201	*	0850	A
5201	*	0935	A
5201	*	1020	A
5201	*	1105	A
5201	*	1190	A
5201	*	1275	A
5201	*	1360	A
5201	*	1445	A
5201	*	1530	A

### Version B - With 1 Positioner

Series	Material	Width	Version
5201	*	0085	B
5201	*	0170	B
5201	*	0255	B
5201	*	0340	B
5201	*	0425	B
5201	*	0510	B
5201	*	0595	B
5201	*	0680	B
5201	*	0765	B
5201	*	0850	B
5201	*	0935	B
5201	*	1020	B
5201	*	1105	B
5201	*	1190	B
5201	*	1275	B
5201	*	1360	B
5201	*	1445	B
5201	*	1530	B

### Version C - With 2 Positioners

Series	Material	Width	Version
5201	*	0085	C
5201	*	0170	C
5201	*	0255	C
5201	*	0340	C
5201	*	0425	C
5201	*	0510	C
5201	*	0595	C
5201	*	0680	C
5201	*	0765	C
5201	*	0850	C
5201	*	0935	C
5201	*	1020	C
5201	*	1105	C
5201	*	1190	C
5201	*	1275	C
5201	*	1360	C
5201	*	1445	C
5201	*	1530	C



## 520 HD FT Tappeto Modulare 520 HD, H=8,7 M=85 Modular Belt Series 520 HD, H=8,7 M=85 / Modulare Mattenkette 520 HD, H=8,7 M=85

Metric Size

### CODE STRUCTURE GUIDE (Example)

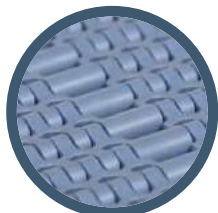
Backflex radius min.: 10 mm

<b>5211</b>	<b>01</b>	<b>0085</b>	<b>A</b>
Series	*Material	Width	Version

**12.7mm**  
PITCH

	NoseBars	
pg. 313-314	273/277/280	pg. 651>661

SAMPLE BOX	
Art.-Nr.	<b>5211018888A</b>



### \*Material

**LFA - Code 01**  
Low friction Acetal  
Easy Delivery

Max w. load: 25500 N/m  
Weight: 7,8 kg/m<sup>2</sup>  
Temp. range dry: -40÷80 °C  
Temp. range wet: -40÷65 °C  
Pin material: PBT white

**MX - Code 03**  
Performance PBT

Max w. load: 20000 N/m  
Weight: 7,5 kg/m<sup>2</sup>  
Temp. range dry: -40÷120 °C  
Temp. range wet: -40÷60 °C  
Pin material: POM grey

**MPX - Code 25**  
Lubricated Acetal

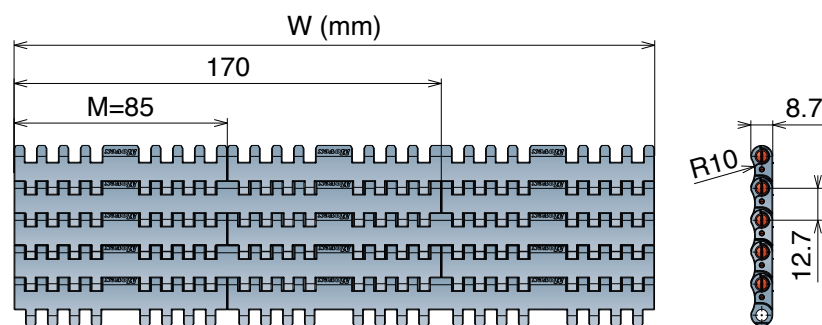
Max w. load: 25000 N/m  
Weight: 7,8 kg/m<sup>2</sup>  
Temp. range dry: -40÷80 °C  
Temp. range wet: -40÷65 °C  
Pin material: PBT white

**PFX - Code 30**  
Extra performance PBT

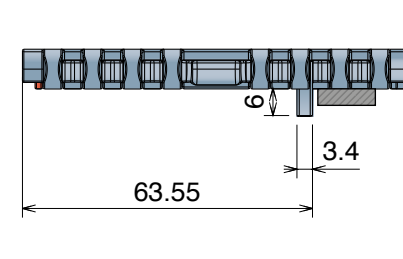
Max w. load: 20000 N/m  
Weight: 7,5 kg/m<sup>2</sup>  
Temp. range dry: -40÷120 °C  
Temp. range wet: -40÷60 °C  
Pin material: POM grey

**THE BEST CHOICE FOR  
DRY RUNNING APPLICATIONS**

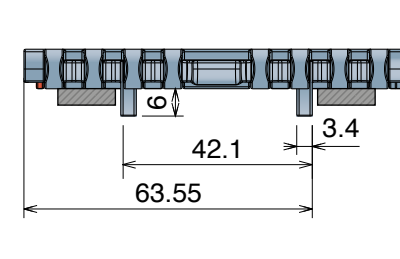
### Version A - Standard



### Version B - With 1 Positioner



### Version C - With 2 Positioner



### Version A - Standard

Series	Material	Width	Version
5211	*	0085	A
5211	*	0170	A
5211	*	0255	A
5211	*	0340	A
5211	*	0425	A
5211	*	0510	A
5211	*	0595	A
5211	*	0680	A

### Version B - With 1 Positioner

Series	Material	Width	Version
5211	*	0085	B
5211	*	0170	B
5211	*	0255	B
5211	*	0340	B
5211	*	0425	B
5211	*	0510	B
5211	*	0595	B
5211	*	0680	B

### Version C - With 2 Positioners

Series	Material	Width	Version
5211	*	0085	C
5211	*	0170	C
5211	*	0255	C
5211	*	0340	C
5211	*	0425	C
5211	*	0510	C
5211	*	0595	C
5211	*	0680	C



### Advantages:

- Improved working load
- Easy installation
- Rigidity
- Product stability

## 520 FTT




Tappeto Modulare 520 FTT, H=8,7 M=85

Modular Belt Series 520 FTT, H=8,7 M=85 / Modulare Mattenkette 520 FTT, H=8,7 M=85

### CODE STRUCTURE GUIDE (Example)

Backflex radius min.: 10 mm

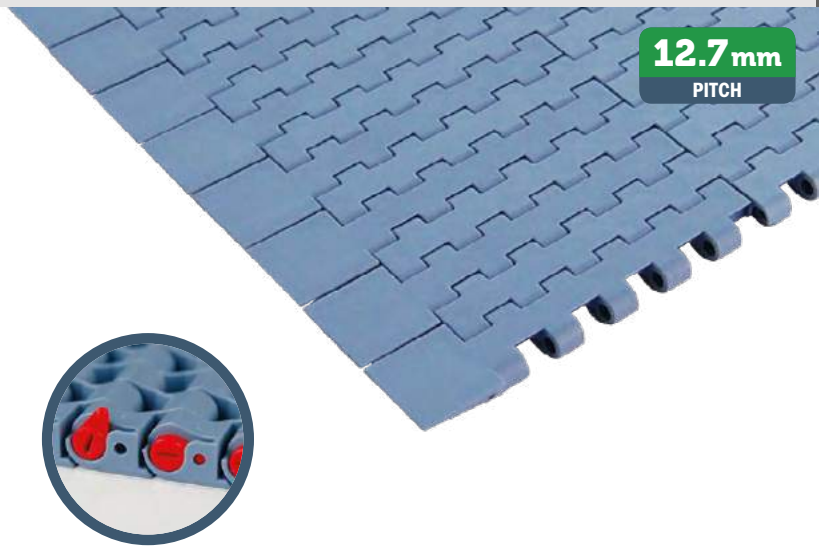
<b>5206</b>	<b>01</b>	<b>0085</b>	<b>C</b>
Series	*Material	Width	Version

		
pg. 315-316	273/277/280	pg. 651->661

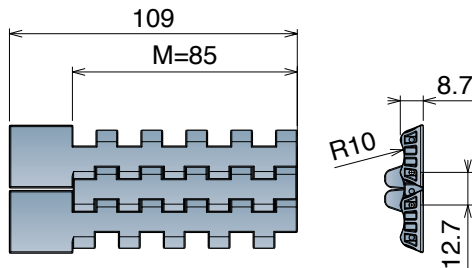
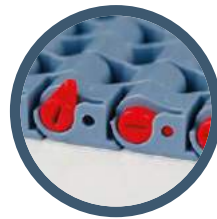
### \*Material

<b>LFA - Code 01</b>	<b>MX - Code 03</b>
Low friction Acetal	Performance PBT

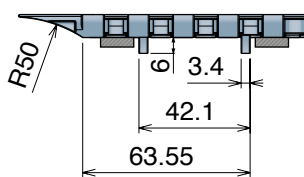
<b>Max w. load:</b> 21500 N/m	<b>Max w. load:</b> 17500 N/m
<b>Weight:</b> 7,8 kg/m <sup>2</sup>	<b>Weight:</b> 7,5 kg/m <sup>2</sup>
<b>Temp. range dry:</b> -40+80 °C	<b>Temp. range dry:</b> -40+120 °C
<b>Temp. range wet:</b> -40+65 °C	<b>Temp. range wet:</b> -40+60 °C
<b>Pin material:</b> PBT white	<b>Pin material:</b> POM grey



**12.7mm**  
PITCH



Version C

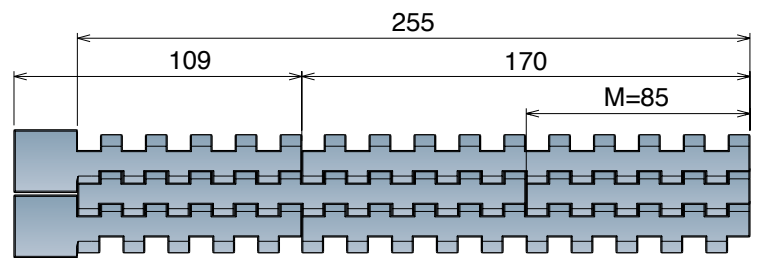


Version C

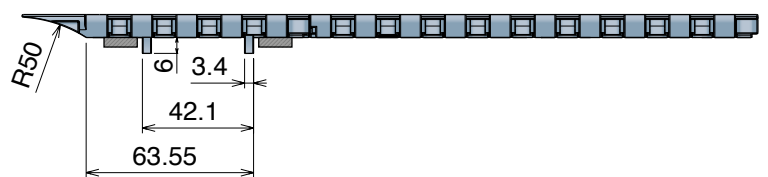
Series	Material	Width	Version
5206	*	0085	C

### Max working load (N)

Width	85
LFA	1850
MX	1500



Version CN - Near



Version CO - Opposite



Version CN - Near

Series	Material	Width	Version
5206	*	0170	CN
5206	*	0255	CN

Version CO - Opposite

Series	Material	Width	Version
5206	*	0170	CO
5206	*	0255	CO

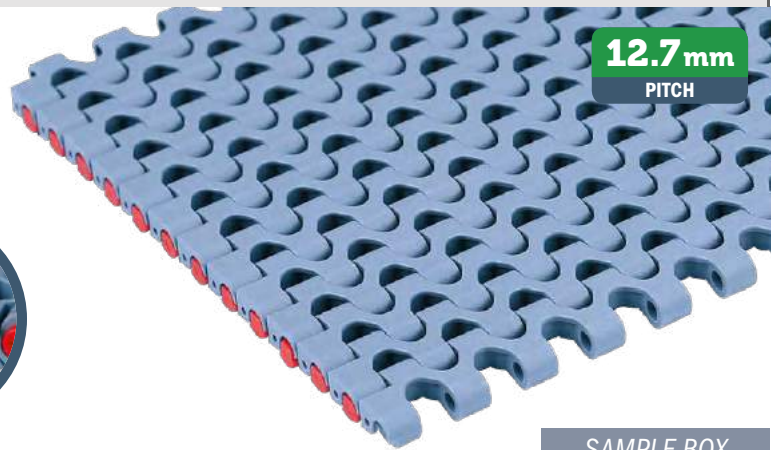
## 520 FG Open Surface 25% Tappeto Modulare 520 FG, H=8,7 M=85 Modular Belt Series 520 FG, H=8,7 M=85 / Modulare Mattenkette 520 FG, H=8,7 M=85

Metric Size

### CODE STRUCTURE GUIDE (Example)

Backflex radius min.: 10 mm

<b>5202</b>	<b>01</b>	<b>0085</b>	<b>A</b>
Series	*Material	Width	Version



pg. 315-316	273/277/280	pg. 651>661

### \*Material

#### LFA - Code 01

Low friction Acetal

Easy Delivery

Max w. load: 21500 N/m  
Weight: 7,5 kg/m<sup>2</sup>  
Temp. range dry: -40+80 °C  
Temp. range wet: -40+65 °C  
Pin material: PBT white

### SAMPLE BOX

Art.-Nr. **5202018888A**

#### PP - Code 02

Polypropylene

Max w. load: 13000 N/m  
Weight: 7,5 kg/m<sup>2</sup>  
Temp. range dry: 4+104 °C  
Temp. range wet: 4+104 °C  
Pin material: PP blue

#### MX - Code 03

Performance PBT

Max w. load: 17500 N/m  
Weight: 7,2 kg/m<sup>2</sup>  
Temp. range dry: -40+120 °C  
Temp. range wet: -40+60 °C  
Pin material: POM grey

#### DKM - Code 16

Aramide Reinforced Acetal

Max w. load: 21500 N/m  
Weight: 7,5 kg/m<sup>2</sup>  
Temp. range dry: -40+80 °C  
Temp. range wet: -40+65 °C  
Pin material: PBT white

#### MWX - Code 17

Polyamide Composite

Max w. load: 21500 N/m  
Weight: 7,8 kg/m<sup>2</sup>  
Temp. range dry: -40+104 °C  
Temp. range wet: NR  
Pin material: PBT white

#### LFB - Code 23

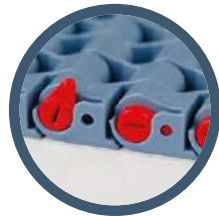
Low friction Acetal

Max w. load: 21500 N/m  
Weight: 7,5 kg/m<sup>2</sup>  
Temp. range dry: -40+80 °C  
Temp. range wet: -40+65 °C  
Pin material: PBT white

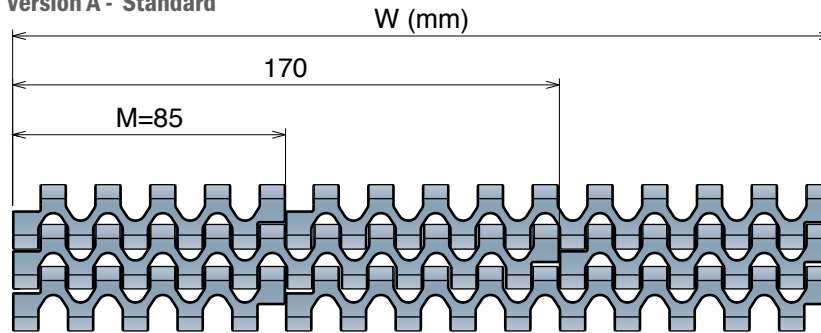
#### MPX - Code 25

Lubricated Acetal

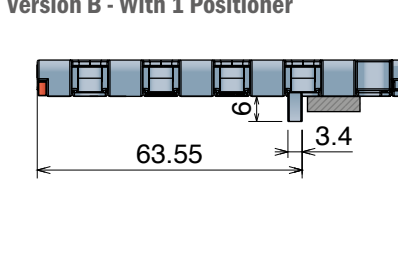
Max w. load: 21500 N/m  
Weight: 7,5 kg/m<sup>2</sup>  
Temp. range dry: -40+80 °C  
Temp. range wet: -40+65 °C  
Pin material: PBT white



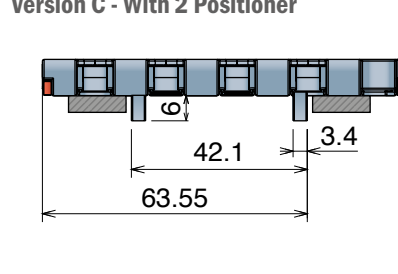
### Version A - Standard



### Version B - With 1 Positioner



### Version C - With 2 Positioner



### Version A - Standard

Series	Material	Width	Version
5202	*	0085	A
5202	*	0170	A
5202	*	0255	A
5202	*	0340	A
5202	*	0425	A
5202	*	0510	A
5202	*	0595	A
5202	*	0680	A
5202	*	0765	A
5202	*	0850	A
5202	*	0935	A
5202	*	1020	A
5202	*	1105	A
5202	*	1190	A
5202	*	1275	A
5202	*	1360	A
5202	*	1445	A
5202	*	1530	A

### Version B - With 1 Positioner

Series	Material	Width	Version
5202	*	0085	B
5202	*	0170	B
5202	*	0255	B
5202	*	0340	B
5202	*	0425	B
5202	*	0510	B
5202	*	0595	B
5202	*	0680	B
5202	*	0765	B
5202	*	0850	B
5202	*	0935	B
5202	*	1020	B
5202	*	1105	B
5202	*	1190	B
5202	*	1275	B
5202	*	1360	B
5202	*	1445	B
5202	*	1530	B

### Version C - With 2 Positioners

Series	Material	Width	Version
5202	*	0085	C
5202	*	0170	C
5202	*	0255	C
5202	*	0340	C
5202	*	0425	C
5202	*	0510	C
5202	*	0595	C
5202	*	0680	C
5202	*	0765	C
5202	*	0850	C
5202	*	0935	C
5202	*	1020	C
5202	*	1105	C
5202	*	1190	C
5202	*	1275	C
5202	*	1360	C
5202	*	1445	C
5202	*	1530	C


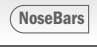

## 520 GT

Tappeto Modulare 520 GT, H=8,7 M=85  
Modular Belt Series 520 GT, H=8,7 M=85 / Modulare Mattenkette 520 GT, H=8,7 M=85

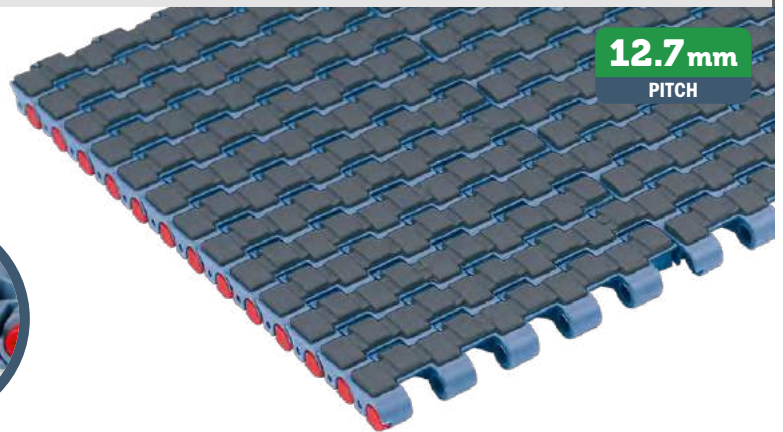
CODE STRUCTURE GUIDE (Example)

Backflex radius min.: 20 mm

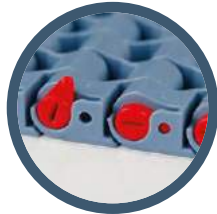
<b>5203</b>	<b>01</b>	<b>0085</b>	<b>A</b>
Series	*Material	Width	Version

		
pg. 315-316	273/277/280	pg. 651->661

<b>SAMPLE BOX</b>	
Art.-Nr.	<b>5203018888A</b>



**12.7 mm**  
PITCH



Metric Size

\*Material

**LFA - Code 01**  
Low friction Acetal

Easy Delivery

Max w. load: 21500 N/m  
Weight: 9,0 kg/m<sup>2</sup>  
Temp. range dry: -40+80 °C  
Temp. range wet: -40+65 °C  
Pin material: PBT white  
Top rubber: 50 ShA-Dark grey

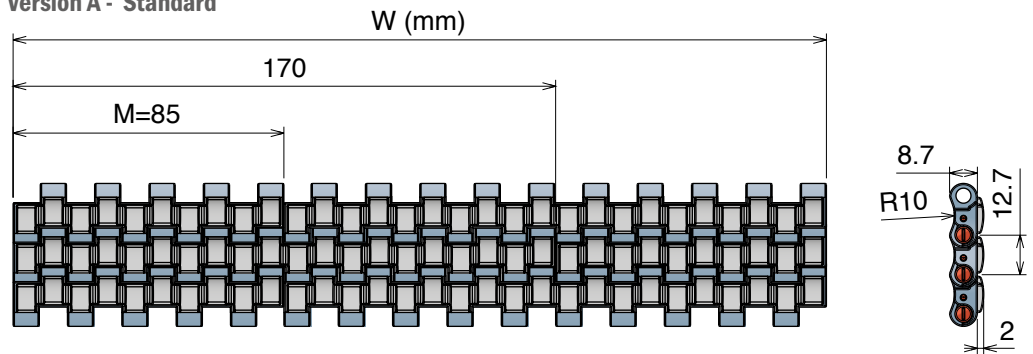
**PP - Code 02**  
Polypropylene

Max w. load: 13000 N/m  
Weight: 7,5 kg/m<sup>2</sup>  
Temp. range dry: 4+80 °C  
Temp. range wet: 4+80 °C  
Pin material: PP blu  
Top rubber: 50 ShA-Pigeon blue

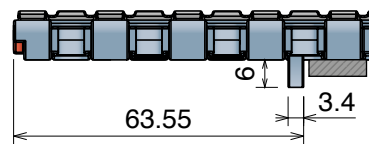
**MX - Code 03**  
Performance PBT

Max w. load: 17500 N/m  
Weight: 9,3 kg/m<sup>2</sup>  
Temp. range dry: -40+120 °C  
Temp. range wet: -40+60 °C  
Pin material: POM grey  
Top rubber: 50 ShA-Dark grey

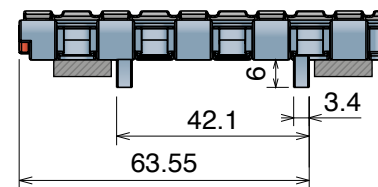
Version A - Standard



Version B - With 1 Positioner



Version C - With 2 Positioner



Version A - Standard

Series	Material	Width	Version
5203	*	0085	A
5203	*	0170	A
5203	*	0255	A
5203	*	0340	A
5203	*	0425	A
5203	*	0510	A
5203	*	0595	A
5203	*	0680	A
5203	*	0765	A
5203	*	0850	A
5203	*	0935	A
5203	*	1020	A
5203	*	1105	A
5203	*	1190	A
5203	*	1275	A
5203	*	1360	A
5203	*	1445	A
5203	*	1530	A

Version B - With 1 Positioner

Series	Material	Width	Version
5203	*	0085	B
5203	*	0170	B
5203	*	0255	B
5203	*	0340	B
5203	*	0425	B
5203	*	0510	B
5203	*	0595	B
5203	*	0680	B
5203	*	0765	B
5203	*	0850	B
5203	*	0935	B
5203	*	1020	B
5203	*	1105	B
5203	*	1190	B
5203	*	1275	B
5203	*	1360	B
5203	*	1445	B
5203	*	1530	B

Version C - With 2 Positioners

Series	Material	Width	Version
5203	*	0085	C
5203	*	0170	C
5203	*	0255	C
5203	*	0340	C
5203	*	0425	C
5203	*	0510	C
5203	*	0595	C
5203	*	0680	C
5203	*	0765	C
5203	*	0850	C
5203	*	0935	C
5203	*	1020	C
5203	*	1105	C
5203	*	1190	C
5203	*	1275	C
5203	*	1360	C
5203	*	1445	C
5203	*	1530	C

## 520 LBP

Tappeto Modulare 520 LBP, H=8,7 M=85

Modular Belt Series 520 LBP, H=8,7 M=85 / Modulare Mattenkette 520 LBP, H=8,7 M=85

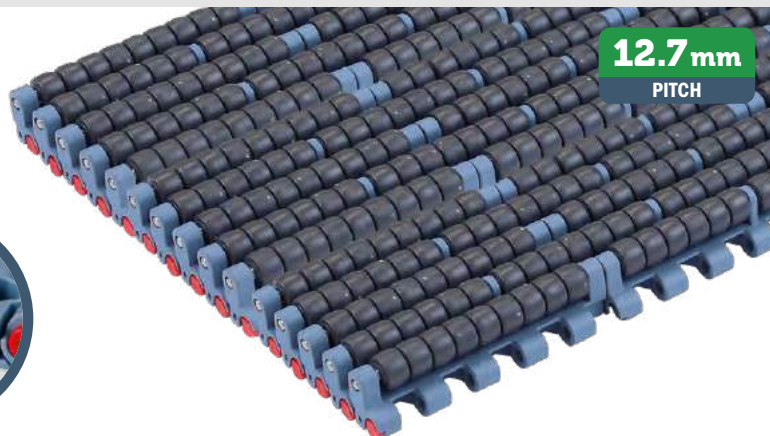
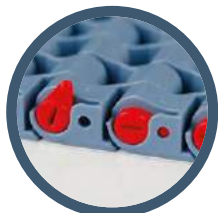
### CODE STRUCTURE GUIDE (Example)

Backflex radius min.: 65 mm

<b>5204</b>	<b>01</b>	<b>0085</b>	<b>A</b>
Series	*Material	Width	Version

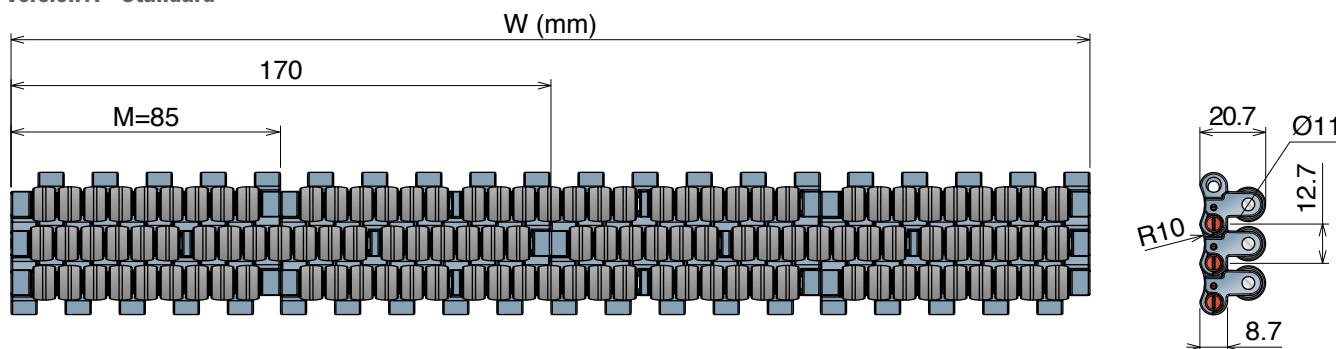
	<b>NoseBars</b>	
pg. 315-316	273/277/280	pg. 651>661

<b>SAMPLE BOX</b>	
Art.-Nr.	<b>5204010888A</b>



Metric Size

### Version A - Standard



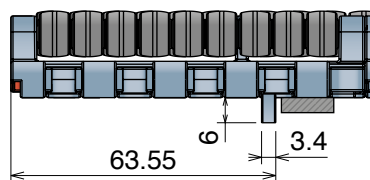
### \*Material

### LFA - Code 01

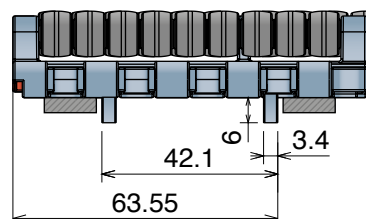
Low friction Acetal

Max w. load: 21500 N/m  
 Weight: 24,0 kg/m<sup>2</sup>  
 Temp. range dry: -40÷80 °C  
 Temp. range wet: -40÷65 °C  
 Pin material: PBT white

### Version B - With 1 Positioner



### Version C - With 2 Positioners



### Version A - Standard

Series	Material	Width	Version
5204	01	0085	A
5204	01	0170	A
5204	01	0255	A
5204	01	0340	A
5204	01	0425	A
5204	01	0510	A
5204	01	0595	A
5204	01	0680	A
5204	01	0765	A
5204	01	0850	A
5204	01	0935	A
5204	01	1020	A
5204	01	1105	A
5204	01	1190	A
5204	01	1275	A
5204	01	1360	A
5204	01	1445	A
5204	01	1530	A

### Version B - With 1 Positioner

Series	Material	Width	Version
5204	01	0085	B
5204	01	0170	B
5204	01	0255	B
5204	01	0340	B
5204	01	0425	B
5204	01	0510	B
5204	01	0595	B
5204	01	0680	B
5204	01	0765	B
5204	01	0850	B
5204	01	0935	B
5204	01	1020	B
5204	01	1105	B
5204	01	1190	B
5204	01	1275	B
5204	01	1360	B
5204	01	1445	B
5204	01	1530	B

### Version C - With 2 Positioners

Series	Material	Width	Version
5204	01	0085	C
5204	01	0170	C
5204	01	0255	C
5204	01	0340	C
5204	01	0425	C
5204	01	0510	C
5204	01	0595	C
5204	01	0680	C
5204	01	0765	C
5204	01	0850	C
5204	01	0935	C
5204	01	1020	C
5204	01	1105	C
5204	01	1190	C
5204	01	1275	C
5204	01	1360	C
5204	01	1445	C
5204	01	1530	C

# 520 PRO LBP

Tappeti modulari / Modular belts / Mattenketten

**PATENTED**

Belts wider than standard are available with 85 mm increments

## 520 PRO LBP

Tappeto Modulare 520 PRO LBP, H=8,7 M=85

Modular Belt Series 520 PRO LBP, H=8,7 M=85 / Modulare Mattenkette 520 PRO LBP, H=8,7 M=85

CODE STRUCTURE GUIDE (Example)

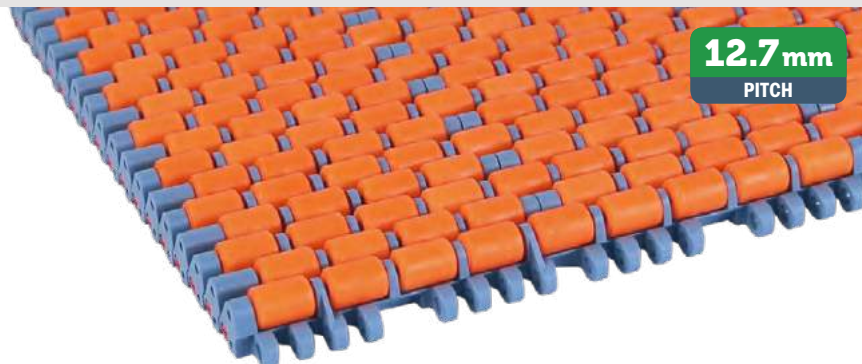
Backflex radius min.: 40 mm

<b>5209</b>	<b>01</b>	<b>0085</b>	<b>A</b>
Series	*Material	Width	Version

pg. 313-314	273/277/280	pg. 651->661

SAMPLE BOX

Art.-Nr. **5210018888A**



Metric Size

Material

**LFA - Code 01**

Low friction Acetal

Max w. load: 25000 N/m  
 Weight SS pin: 19,0 kg/m<sup>2</sup>  
 Weight Plastic pin: 15,3 kg/m<sup>2</sup>  
 Temp. range dry: -40+80 °C  
 Temp. range wet: -40+65 °C  
 Pin material: PBT white

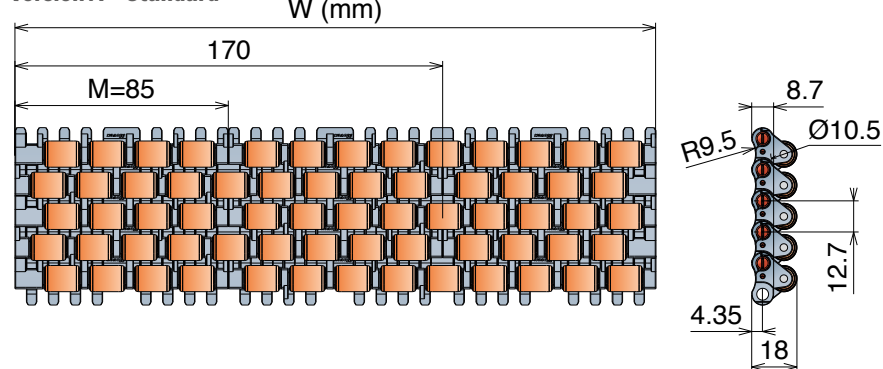
**PFX Roller**

THE BEST CHOICE TO REACH  
 THE LOWEST FRICTION

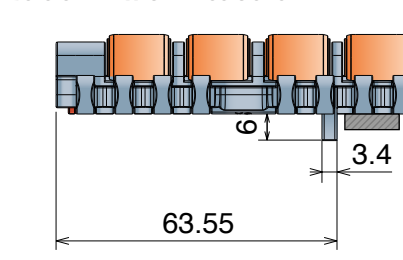


Bottom view

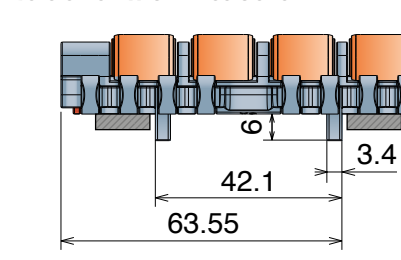
Version A - Standard



Version B - With 1 Positioner



Version C - With 2 Positioner



**Stainless steel Pin**



**Plastic Pin**

Series	Material	Width	Version
5209	01	0085	*
5209	01	0170	*
5209	01	0255	*
5209	01	0340	*
5209	01	0425	*
5209	01	0510	*
5209	01	0595	*
5209	01	0680	*
5209	01	0765	*
5209	01	0850	*
5209	01	0935	*
5209	01	1020	*
5209	01	1105	*
5209	01	1190	*
5209	01	1275	*
5209	01	1360	*
5209	01	1445	*
5209	01	1530	*

Series	Material	Width	Version
5210	01	0085	*
5210	01	0170	*
5210	01	0255	*
5210	01	0340	*
5210	01	0425	*
5210	01	0510	*
5210	01	0595	*
5210	01	0680	*
5210	01	0765	*
5210	01	0850	*
5210	01	0935	*
5210	01	1020	*
5210	01	1105	*
5210	01	1190	*
5210	01	1275	*
5210	01	1360	*
5210	01	1445	*
5210	01	1530	*

*Version	
Standard	Add A
With 1 Positioner	Add B
With 2 Positioners	Add C

Tappeti modulari / Modular belts / Mattenketten

## 520 M

Tappeto Modulare 520 M, H=8,7 K 330  
 Modular Belt Series 520 M, H=8,7 K 330 / Modulare Mattenkette 520 M, H=8,7 K 330

Part	Article-Nr.	Ref.	Weight	* Material	Backflex radius min.: 15 mm
1193	1195019330	LFA 520 M K330	1,11	LFA	
1193	1195039330	MX 520 M K330	1,11	MX	
1193	1195309330	PFX 520 M K330	1,11	PFX	

10 feet 3.048 m	pg. 315-316	NoseBars 273/277/280	pg. 155->161	pg. 651>661
--------------------	-------------	-------------------------	--------------	-------------

SAMPLE BOX  
 Art.-Nr. 1195018888A

**MAGNETIC SYSTEM**



- Easier installation • Quicker maintenance
- Interchangeable with previous design

**\* Material**

**LFA - Code 01**  
 Low friction Acetal  
 Easy Delivery

Max w. load: 2500 N  
 Weight: 7,5 kg/m<sup>2</sup>  
 Temp. range dry: -40÷80 °C  
 Temp. range wet: -40÷65 °C  
 Pin: Ferritic stainless steel

**MX - Code 03**  
 Performance PBT

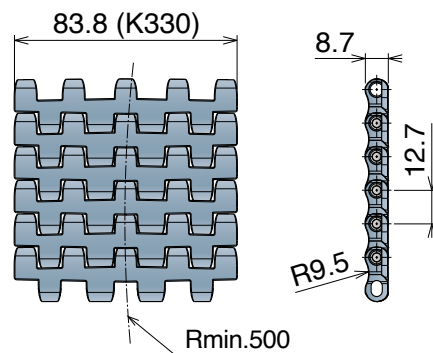
Max w. load: 2000 N  
 Weight: 7,2 kg/m<sup>2</sup>  
 Temp. range dry: -40÷120 °C  
 Temp. range wet: -40÷60 °C  
 Pin: Ferritic stainless steel

**PFX - Code 30**  
 Extra performance PBT

Max w. load: 2000 N  
 Weight: 7,2 kg/m<sup>2</sup>  
 Temp. range dry: -40÷120 °C  
 Temp. range wet: -40÷60 °C  
 Pin: Ferritic stainless steel

**THE BEST CHOICE FOR DRY RUNNING APPLICATIONS**

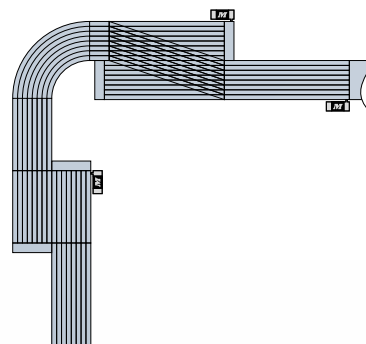
Version A - Standard



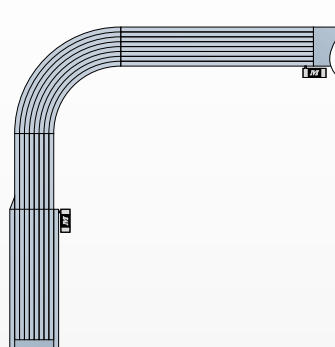
**Advantages:**

- No conveyor side transfers required
- Space savings
- Less components required
- Less drives required

**Coventional layout**



**Layout with 520 M K330**



NEW

**520 M MOVEX TOOL**

The specific tool for 520 M developed to facilitate belt assembly and disassembly.



Article Nr. 29968

Movex tools are made with 3D printer, the color may vary due to availability of the material.

# 521/522

Pitch 12,7 mm  
H= 8,7 mm



Imperial Size

Metric Size

**Movex<sup>®</sup>**

521 FT

522 HD FT

522 HD FT *One track belt*



# 521 FT

Tappeto Modulare 521 FT, H=8,7 M=7,5"  
 Modular Belt Series 521 FT, H=8,7 M=7,5" / Modulare Mattenkette 521 FT, H=8,7 M=7,5"

CODE STRUCTURE GUIDE (Example)

Backflex radius min.: 10 mm

<b>5311</b>	<b>01</b>	<b>9750</b>	<b>A</b>
Series	*Material	Width	Version

**12.7mm**  
PITCH

pg. 315-316	274/277/280	pg. 651>661

\*Material

**LFA - Code 01**

Low friction Acetal

Weight: 8,0 kg/m<sup>2</sup>  
 Temp. range dry: -40÷80 °C  
 Temp. range wet: -40÷65 °C  
 Pin material: PBT white

**MX - Code 03**

Performance PBT

Weight: 7,8 kg/m<sup>2</sup>  
 Temp. range dry: -40÷120 °C  
 Temp. range wet: -40÷60 °C  
 Pin material: POM grey

**DKM - Code 16**

Aramide Reinforced Acetal

Weight: 8,0 kg/m<sup>2</sup>  
 Temp. range dry: -40÷80 °C  
 Temp. range wet: -40÷65 °C  
 Pin material: PBT white

**MWX - Code 17**

Polyamide Composite

Weight: 8,3 kg/m<sup>2</sup>  
 Temp. range dry: -40÷104 °C  
 Temp. range wet: NR  
 Pin material: PBT white

**MPX - Code 25**

Lubricated Acetal

Weight: 8,0 kg/m<sup>2</sup>  
 Temp. range dry: -40÷80 °C  
 Temp. range wet: -40÷65 °C  
 Pin material: PBT white

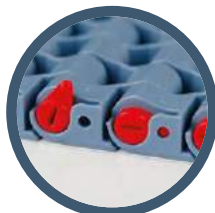
**PFX - Code 30**

Extra performance PBT

Weight: 7,8 kg/m<sup>2</sup>  
 Temp. range dry: -40÷120 °C  
 Temp. range wet: -40÷60 °C  
 Pin material: POM grey

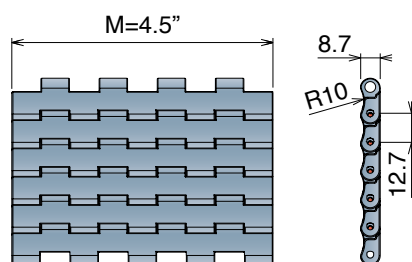
Max working load (N)

Width	K450	K750
LFA	2400	4000
MX	2000	3300
DKM	2400	4000
MWX	2400	4000
MPX	2400	4000
PFX	2000	3300

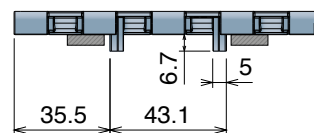


## K450

Version A - Standard



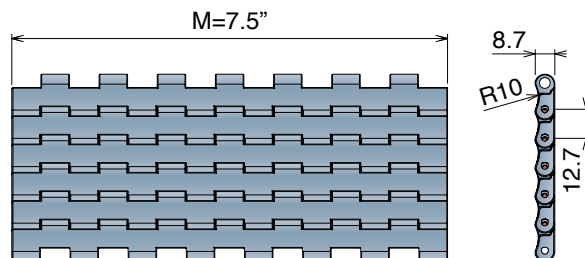
Version C - With 2 Positioner



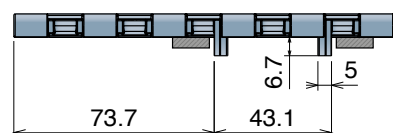
Series	Material	Width	Version
5311	*	9450	A
5311	*	9450	C

## K750

Version A - Standard



Version C - With 2 Positioner



Series	Material	Width	Version
5311	*	9750	A
5311	*	9750	C

Imperial Size

Tappeti modulari / Modular belts / Mattenketten

## NEW 522 HD FT

Tappeto Modulare 522 HD, H=8,7 M=50  
Modular Belt Series 522 HD, H=8,7 M=50 / Modulare Mattenkette 522 HD, H=8,7 M=50

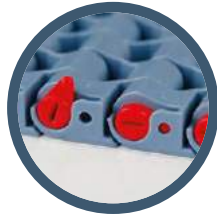
CODE STRUCTURE GUIDE (Example)

Backflex radius min.: 10 mm

<b>5271</b>	<b>01</b>	<b>0100</b>	<b>A</b>
Series	*Material	Width	Version

pg. 313-314	274/278/281	pg. 651->661

**12.7mm**  
PITCH



### \*Material

**LFA - Code 01**  
Low friction Acetal

Easy Delivery

Max w. load: 25500 N/m  
Weight: 7,8 kg/m<sup>2</sup>  
Temp. range dry: -40+80 °C  
Temp. range wet: -40+65 °C  
Pin material: PBT white

**MX - Code 03**  
Performance PBT

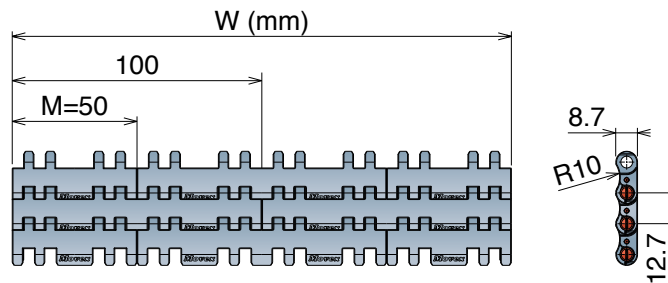
Max w. load: 20000 N/m  
Weight: 7,5 kg/m<sup>2</sup>  
Temp. range dry: -40+120 °C  
Temp. range wet: -40+60 °C  
Pin material: POM grey

**PFX - Code 30**  
Extra performance PBT

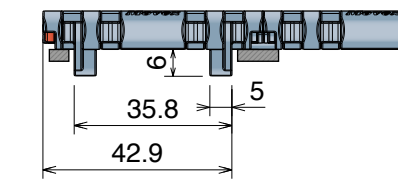
Max w. load: 20000 N/m  
Weight: 7,5 kg/m<sup>2</sup>  
Temp. range dry: -40+120 °C  
Temp. range wet: -40+60 °C  
Pin material: POM grey

**THE BEST CHOICE FOR  
DRY RUNNING APPLICATIONS**

### Version A - Standard



### Version C - With 2 Positioner



### Version A - Standard

Series	Material	Width	Version
5271	*	0100**	A
5271	*	0150	A
5271	*	0200	A
5271	*	0250	A
5271	*	0300	A

### Version C - With 2 Positioners

Series	Material	Width	Version
5271	*	0100**	C
5271	*	0150	C
5271	*	0200	C
5271	*	0250	C
5271	*	0300	C

\*\* Belt assembled with Pin Sphere.

## NEW

### 522 HD One track belt MOVEX TOOL

The specific tool for belts developed to facilitate belt assembly and disassembly, perfectly compatible also with all 522 HD One-Track belt versions (See next page).



Article Nr. **29971**

Movex tools are made with 3D printer, the color may vary due to availability of the material.

## NEW 522 HD FT One track Belt

Tappeto Modulare 522 HD, H=8,7  
Modular Belt Series 522 HD, H=8,7 / Modulare Mattenkette 522 HD, H=8,7

Metric Size

CODE STRUCTURE GUIDE (Example)

Backflex radius min.: 10 mm

5271	01	9115	A
Series	*Material	Width	Version

**12.7mm**  
PITCH

**NoseBars** **SAMPLE BOX**  
 pg. 313-314 | 274/278/281 | pg. 651>661 | Art.-Nr. **5271018888A**

\*Material

Easy Delivery

**LFA - Code 01**  
Low friction Acetal

**MX - Code 03**  
Performance PBT

**PFX - Code 30**  
Extra performance PBT

**Max w. load:** See table below  
**Weight:** 7,8 kg/m<sup>2</sup>  
**Temp. range dry:** -40+80 °C  
**Temp. range wet:** -40+65 °C  
**Pin material:** PBT white

**Max w. load:** See table below  
**Weight:** 7,5 kg/m<sup>2</sup>  
**Temp. range dry:** -40+120 °C  
**Temp. range wet:** -40+60 °C  
**Pin material:** POM black

**Max w. load:** See table below  
**Weight:** 7,5 kg/m<sup>2</sup>  
**Temp. range dry:** -40+120 °C  
**Temp. range wet:** -40+60 °C  
**Pin material:** POM black

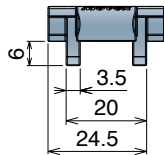
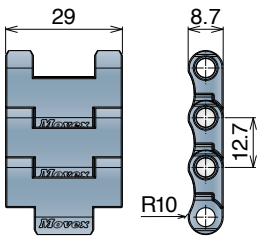
**Pin Sphere**®  
AUTOLOCK

- Easier installation
- Quicker maintenance
- High strength

### Width 29 mm

Version C - With 2 Positioner

Version A - Standard

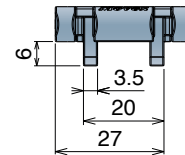
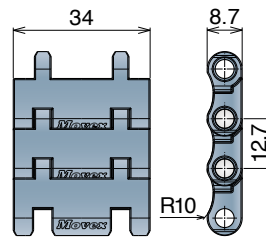


Series	Material	Width	Version
5271	*	9115	A
5271	*	9115	C

### Width 34 mm

Version C - With 2 Positioner

Version A - Standard

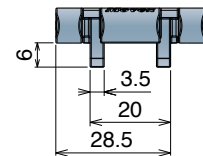
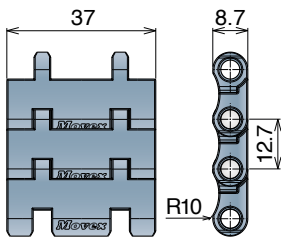


Series	Material	Width	Version
5271	*	9134	A
5271	*	9134	C

### Width 37 mm

Version C - With 2 Positioner

Version A - Standard

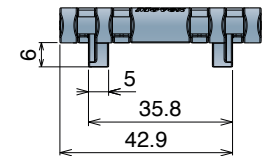
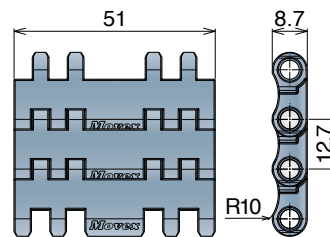


Series	Material	Width	Version
5271	*	9145	A
5271	*	9145	C

### Width 51 mm

Version C - With 2 Positioner

Version A - Standard

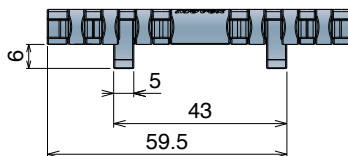
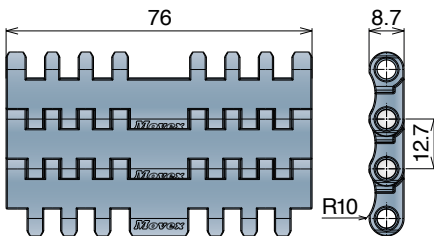


Series	Material	Width	Version
5271	*	9200	A
5271	*	9200	C

### Width 76 mm

Version C - With 2 Positioner

Version A - Standard



Series	Material	Width	Version
5271	*	9300	A
5271	*	9300	C

Max working load (N)

Width	29	34	37	51	76
LFA	600	870	945	1300	2000
MX	450	680	740	1020	1520
PFX	450	680	740	1020	1520

590 Series

# 590

Pitch 19,05 mm  
H= 8,7 mm



Imperial Size

**Movex**<sup>®</sup>

590 FT  
590 FT *One track Belt*  
590 FTT

## 590 FT

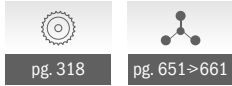
Tappeto Modulare 590 FT, H=8,7 M=3"  
 Modular Belt Series 590 FT, H=8,7 M=3" / Modulare Mattenkette 590 FT, H=8,7 M=3"

Imperial Size

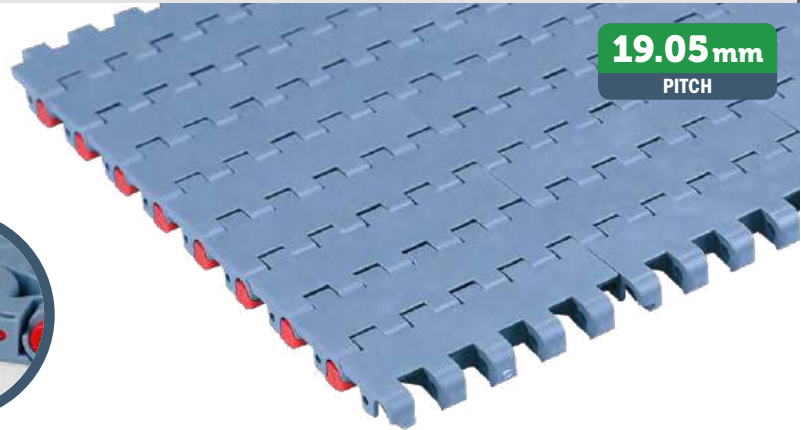
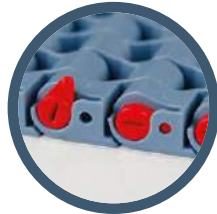
CODE STRUCTURE GUIDE (Example)			
<b>5301</b>	<b>01</b>	<b>0003</b>	<b>A</b>
Series	*Material	Width	Version

Backflex radius min.: 25 mm

**19.05mm**  
PITCH



SAMPLE BOX	
Art.-Nr.	<b>5301018888A</b>



### \*Material

**LFA - Code 01**  
Low friction Acetal

Easy Delivery

Max w. load: 30000 N/m  
 Weight: 7,2 kg/m<sup>2</sup>  
 Temp. range dry: -40÷80 °C  
 Temp. range wet: -40÷65 °C  
 Pin material: PBT white

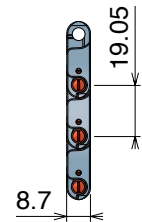
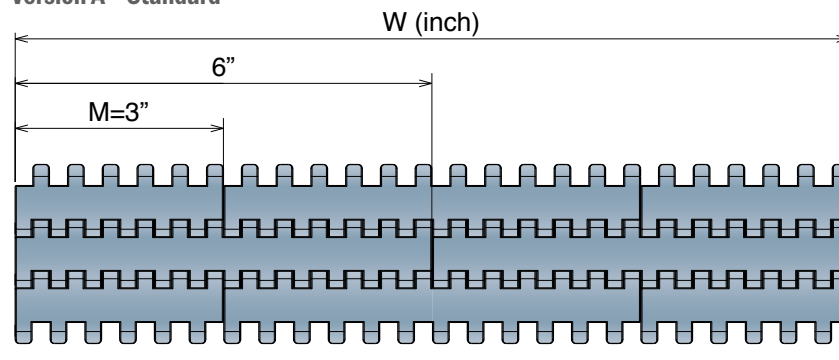
**MX - Code 03**  
Performance PBT

Max w. load: 24000 N/m  
 Weight: 7,0 kg/m<sup>2</sup>  
 Temp. range dry: -40÷120 °C  
 Temp. range wet: -40÷60 °C  
 Pin material: POM grey

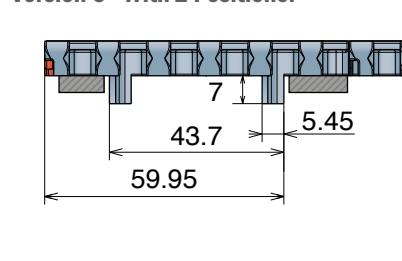
**MPX - Code 25**  
Lubricated Acetal

Max w. load: 30000 N/m  
 Weight: 7,2 kg/m<sup>2</sup>  
 Temp. range dry: -40÷80 °C  
 Temp. range wet: -40÷65 °C  
 Pin material: PBT white

### Version A - Standard



### Version C - With 2 Positioner



### Version A - Standard

Series	Material	Width	Version
5301	*	0003	A
5301	*	0006	A
5301	*	0009	A
5301	*	0012	A
5301	*	0015	A
5301	*	0018	A
5301	*	0021	A
5301	*	0024	A
5301	*	0027	A
5301	*	0030	A
5301	*	0033	A
5301	*	0036	A
5301	*	0039	A
5301	*	0042	A
5301	*	0045	A
5301	*	0048	A
5301	*	0051	A
5301	*	0054	A

### Version C - With 2 Positioners

Series	Material	Width	Version
5301	*	0003	C
5301	*	0006	C
5301	*	0009	C
5301	*	0012	C
5301	*	0015	C
5301	*	0018	C
5301	*	0021	C
5301	*	0024	C
5301	*	0027	C
5301	*	0030	C
5301	*	0033	C
5301	*	0036	C
5301	*	0039	C
5301	*	0042	C
5301	*	0045	C
5301	*	0048	C
5301	*	0051	C
5301	*	0054	C

# 590 FT One track Belt

Tappeti modulari / Modular belts / Mattenketten

Imperial Size

## 590 FT One track Belt



Tappeto Modulare 590 FT, H=8,7  
Modular Belt Series 590 FT, H=8,7 / Modulare Mattenkette 590 FT, H=8,7

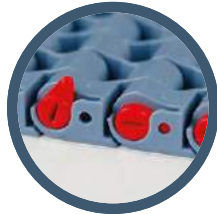
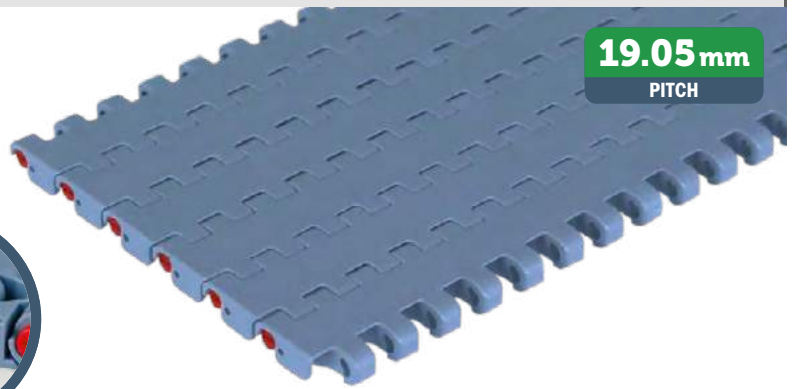
CODE STRUCTURE GUIDE (Example)

Backflex radius min.: 25 mm

<b>5301</b>	<b>01</b>	<b>9325</b>	<b>A</b>
Series	*Material	Width	Version

**19.05 mm**  
PITCH

	
pg. 318	pg. 651>661



### \*Material

**LFA - Code 01**  
Low friction Acetal

Easy Delivery

Weight: 7,2 kg/m<sup>2</sup>  
Temp. range dry: -40+80 °C  
Temp. range wet: -40+65 °C  
Pin material: PBT white

**MX - Code 03**  
Performance PBT

Weight: 7,0 kg/m<sup>2</sup>  
Temp. range dry: -40+120 °C  
Temp. range wet: -40+60 °C  
Pin material: POM grey

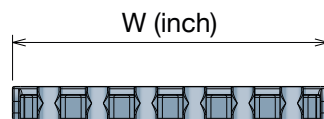
**MPX - Code 25**  
Lubricated Acetal

Weight: 7,2 kg/m<sup>2</sup>  
Temp. range dry: -40+80 °C  
Temp. range wet: -40+65 °C  
Pin material: PBT white

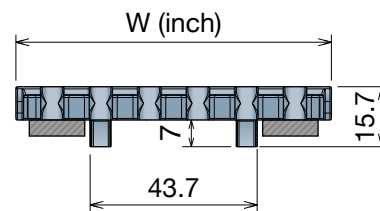
### Max working load (N)

Width	K325	K450	K750
LFA	2500	3400	5700
MX	2000	2800	4500
MPX	2500	3400	5700

### Version A - Standard



### Version C - With 2 Positioner



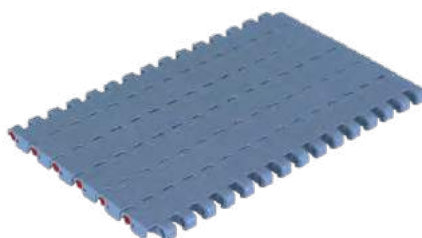
### K325 - One track belt

Series	Material	Width	Version
5301	*	9325	A
5301	*	9325	C



### K450 - One track belt

Series	Material	Width	Version
5301	*	9450	A
5301	*	9450	C



### K750 - One track belt

Series	Material	Width	Version
5301	*	9750	A
5301	*	9750	C

Tappeti modulari / Modular belts / Mattenketten

## 590 FTT

Tappeto Modulare 590 FTT, H=8,7  
Modular Belt Series 590 FTT, H=8,7 / Modulare Mattenkette 590 FTT, H=8,7

Imperial Size

### CODE STRUCTURE GUIDE (Example)

Backflex radius min.: 25 mm

<b>5306</b>	<b>01</b>	<b>9450</b>	<b>C-R</b>
Series	*Material	Width	Version

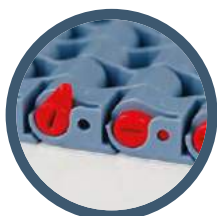
**19.05mm**  
PITCH



pg. 318



pg. 651>661



### \*Material

#### LFA - Code 01

Low friction Acetal

Weight: 7,2 kg/m<sup>2</sup>  
Temp. range dry: -40÷80 °C  
Temp. range wet: -40÷65 °C  
Pin material: PBT white

#### MX - Code 03

Performance PBT

Weight: 7,0 kg/m<sup>2</sup>  
Temp. range dry: -40÷120 °C  
Temp. range wet: -40÷60 °C  
Pin material: POM grey

#### MPX - Code 25

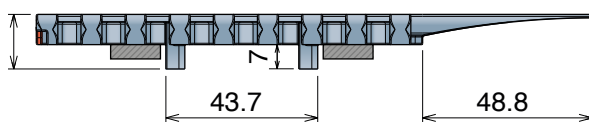
Lubricated Acetal

Weight: 7,2 kg/m<sup>2</sup>  
Temp. range dry: -40÷80 °C  
Temp. range wet: -40÷65 °C  
Pin material: PBT white

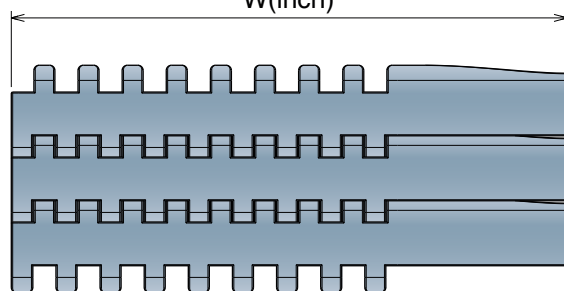
### Max working load (N)

Width	K450	K750
LFA	3400	5700
MX	2800	4500
MPX	3400	5700

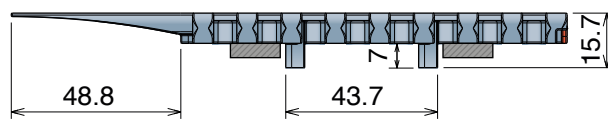
### Version 590 FTT DX



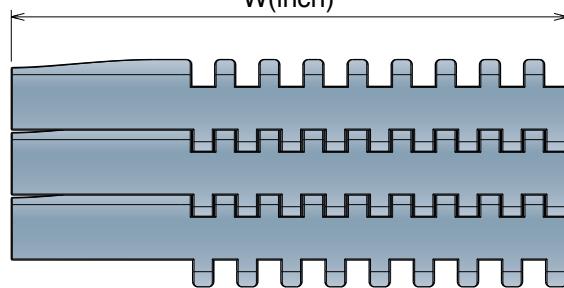
W(inch)



### Version 590 FTT SX



W(inch)



### Version 590 FTT DX

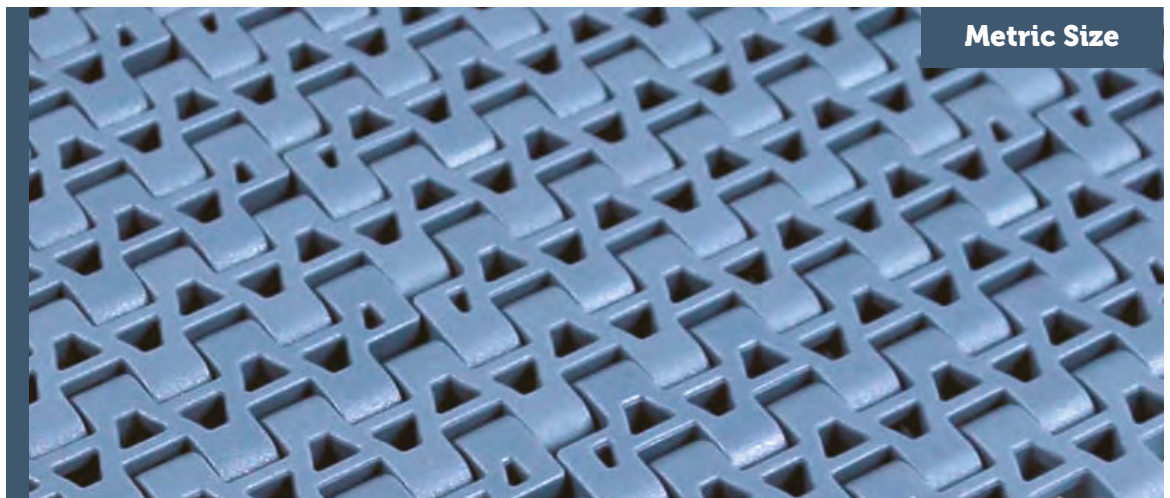
Series	Material	Width	Version	Total width
5306	*	9450	C-R	160.0
5306	*	9750	C-R	236.2

### Version 590 FTT SX

Series	Material	Width	Version	Total width
5306	*	9450	C-L	160.0
5306	*	9750	C-L	236.2

# 525

Pitch 15,0 mm  
H= 8,7 mm



- 525 HD FT
- 525 HD FT+RIB
- 525 FTT
- 525 HD FG
- 525 HD GT
- 525 HD GT *Side Indent*



## 525 HD FT

Tappeto Modulare 525 HD, H=8,7 M=85  
Modular Belt Series 525 HD, H=8,7 M=85 / Modulare Mattenkette 525 HD, H=8,7 M=85

Metric Size

CODE STRUCTURE GUIDE (Example)			
5261	01	0085	A
Series	*Material	Width	Version

Backflex radius min.: 25 mm

**15.0mm**  
PITCH

	NoseBars	
pg. 317	273/277/280	pg. 651>661

SAMPLE BOX	
Art.-Nr.	5261018888A



REINFORCED POSITIONER

### \*Material

#### LFA - Code 01

Low friction Acetal

##### Easy Delivery

Max w. load: 25500 N/m  
Weight: 9,0 kg/m<sup>2</sup>  
Temp. range dry: -40÷80 °C  
Temp. range wet: -40÷65 °C  
Pin material: PBT white

#### PP - Code 02

Polypropylene

Max w. load: 15500 N/m  
Weight: 8,7 kg/m<sup>2</sup>  
Temp. range dry: 4÷104 °C  
Temp. range wet: 4÷104 °C  
Pin material: PP blue

#### MX - Code 03

Performance PBT

Max w. load: 20500 N/m  
Weight: 8,7 kg/m<sup>2</sup>  
Temp. range dry: -40÷120 °C  
Temp. range wet: -40÷60 °C  
Pin material: POM grey

#### LFB - Code 23

Low friction Acetal

Max w. load: 25500 N/m  
Weight: 9,0 kg/m<sup>2</sup>  
Temp. range dry: -40÷80 °C  
Temp. range wet: -40÷65 °C  
Pin material: PBT white

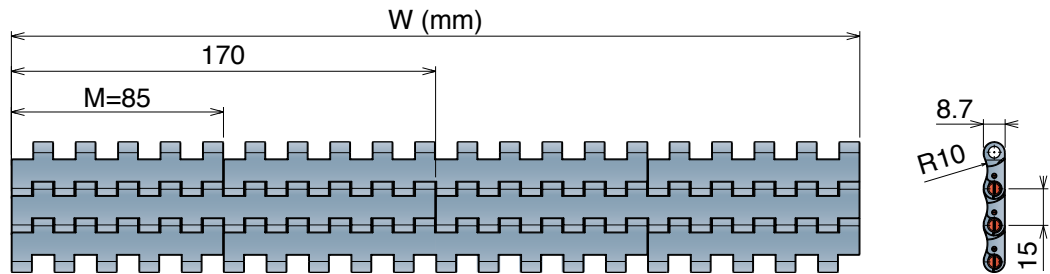
#### PFX - Code 30

Extra performance PBT

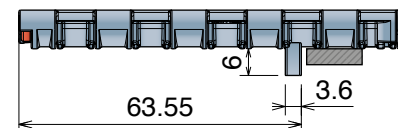
Max w. load: 20500 N/m  
Weight: 8,7 kg/m<sup>2</sup>  
Temp. range dry: -40÷120 °C  
Temp. range wet: -40÷60 °C  
Pin material: POM grey

**THE BEST CHOICE FOR  
DRY RUNNING APPLICATIONS**

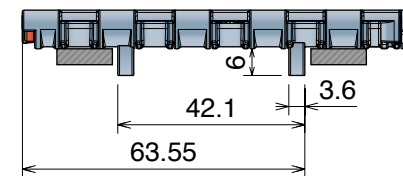
### Version A - Standard



### Version B - With 1 Positioner



### Version C - With 2 Positioner



### Version A - Standard

Series	Material	Width	Version
5261	*	0085	A
5261	*	0170	A
5261	*	0255	A
5261	*	0340	A
5261	*	0425	A
5261	*	0510	A
5261	*	0595	A
5261	*	0680	A
5261	*	0765	A
5261	*	0850	A
5261	*	0935	A
5261	*	1020	A
5261	*	1105	A
5261	*	1190	A
5261	*	1275	A
5261	*	1360	A
5261	*	1445	A
5261	*	1530	A

### Version B - With 1 Positioner

Series	Material	Width	Version
5261	*	0085	B
5261	*	0170	B
5261	*	0255	B
5261	*	0340	B
5261	*	0425	B
5261	*	0510	B
5261	*	0595	B
5261	*	0680	B
5261	*	0765	B
5261	*	0850	B
5261	*	0935	B
5261	*	1020	B
5261	*	1105	B
5261	*	1190	B
5261	*	1275	B
5261	*	1360	B
5261	*	1445	B
5261	*	1530	B

### Version C - With 2 Positioners

Series	Material	Width	Version
5261	*	0085	C
5261	*	0170	C
5261	*	0255	C
5261	*	0340	C
5261	*	0425	C
5261	*	0510	C
5261	*	0595	C
5261	*	0680	C
5261	*	0765	C
5261	*	0850	C
5261	*	0935	C
5261	*	1020	C
5261	*	1105	C
5261	*	1190	C
5261	*	1275	C
5261	*	1360	C
5261	*	1445	C
5261	*	1530	C

## 525 HD FT + RIB

Tappeto Modulare 525 HD, H=8,7 M=85

Modular Belt Series 525 HD, H=8,7 M=85 / Modulare Mattenkette 525 HD, H=8,7 M=85




CODE STRUCTURE GUIDE (Example)

Backflex radius min.: 25 mm

<b>5261</b>	<b>01</b>	<b>0085</b>	<b>A</b>	<b>XR3</b>
Series	*Material	Width	Version	RIB

**15.0mm**  
PITCH

Metric Size

		
pg. 317	273/277/280	pg. 651>661



\*Material

### LFA - Code 01

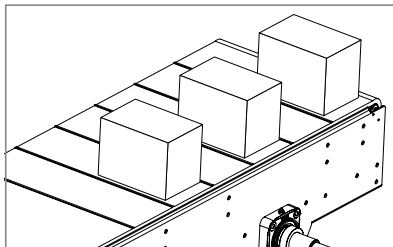
Low friction Acetal

Max w. load: 25500 N/m  
 Weight: 9,0 kg/m<sup>2</sup>  
 Temp. range dry: -40÷80 °C  
 Temp. range wet: -40÷65 °C  
 Pin material: PBT white

### MX - Code 03

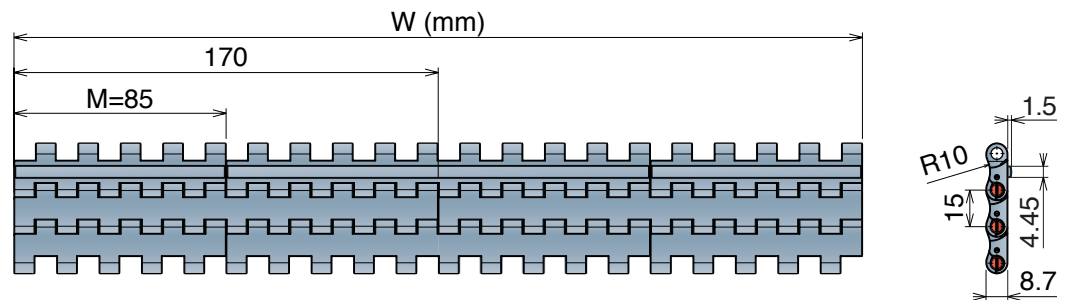
Performance PBT

Max w. load: 20500 N/m  
 Weight: 8,7 kg/m<sup>2</sup>  
 Temp. range dry: -40÷120 °C  
 Temp. range wet: -40÷60 °C  
 Pin material: POM grey

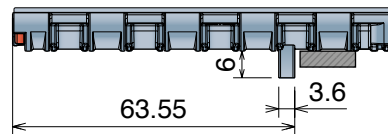


Special application in palletizer

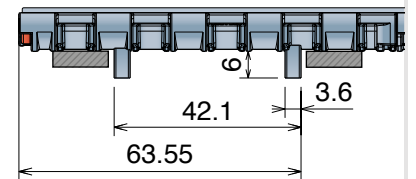
#### Version A - Standard



#### Version B - With 1 Positioner



#### Version C - With 2 Positioner



#### Version A - Standard

Series	Material	Width	Version	RIB
5261	*	0085	A	XR3 or XR5
5261	*	0170	A	XR3 or XR5
5261	*	0255	A	XR3 or XR5
5261	*	0340	A	XR3 or XR5
5261	*	0425	A	XR3 or XR5
5261	*	0510	A	XR3 or XR5
5261	*	0595	A	XR3 or XR5
5261	*	0680	A	XR3 or XR5
5261	*	0765	A	XR3 or XR5
5261	*	0850	A	XR3 or XR5
5261	*	0935	A	XR3 or XR5
5261	*	1020	A	XR3 or XR5
5261	*	1105	A	XR3 or XR5
5261	*	1190	A	XR3 or XR5
5261	*	1275	A	XR3 or XR5
5261	*	1360	A	XR3 or XR5
5261	*	1445	A	XR3 or XR5
5261	*	1530	A	XR3 or XR5

XR3 (RIB every 3 links) | XR5 (RIB every 5 links)

#### Version B - With 1 Positioner

Series	Material	Width	Version	RIB
5261	*	0085	B	XR3 or XR5
5261	*	0170	B	XR3 or XR5
5261	*	0255	B	XR3 or XR5
5261	*	0340	B	XR3 or XR5
5261	*	0425	B	XR3 or XR5
5261	*	0510	B	XR3 or XR5
5261	*	0595	B	XR3 or XR5
5261	*	0680	B	XR3 or XR5
5261	*	0765	B	XR3 or XR5
5261	*	0850	B	XR3 or XR5
5261	*	0935	B	XR3 or XR5
5261	*	1020	B	XR3 or XR5
5261	*	1105	B	XR3 or XR5
5261	*	1190	B	XR3 or XR5
5261	*	1275	B	XR3 or XR5
5261	*	1360	B	XR3 or XR5
5261	*	1445	B	XR3 or XR5
5261	*	1530	B	XR3 or XR5

XR3 (RIB every 3 links) | XR5 (RIB every 5 links)

#### Version C - With 2 Positioners

Series	Material	Width	Version	RIB
5261	*	0085	C	XR3 or XR5
5261	*	0170	C	XR3 or XR5
5261	*	0255	C	XR3 or XR5
5261	*	0340	C	XR3 or XR5
5261	*	0425	C	XR3 or XR5
5261	*	0510	C	XR3 or XR5
5261	*	0595	C	XR3 or XR5
5261	*	0680	C	XR3 or XR5
5261	*	0765	C	XR3 or XR5
5261	*	0850	C	XR3 or XR5
5261	*	0935	C	XR3 or XR5
5261	*	1020	C	XR3 or XR5
5261	*	1105	C	XR3 or XR5
5261	*	1190	C	XR3 or XR5
5261	*	1275	C	XR3 or XR5
5261	*	1360	C	XR3 or XR5
5261	*	1445	C	XR3 or XR5
5261	*	1530	C	XR3 or XR5

XR3 (RIB every 3 links) | XR5 (RIB every 5 links)

## 525 FTT

Tappeto Modulare 525 FTT, H=8,7 M=85  
 Modular Belt Series 525 FTT, H=8,7 M=85 / Modulare Mattenkette 525 FTT, H=8,7 M=85

Metric Size

CODE STRUCTURE GUIDE (Example)			
5256	01	0085	C
Series	*Material	Width	Version

Backflex radius min.: 25 mm

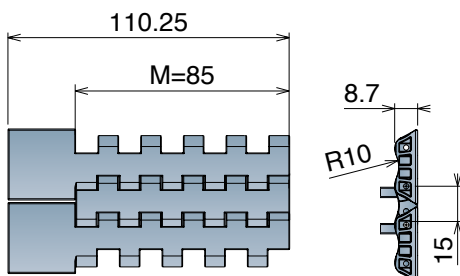
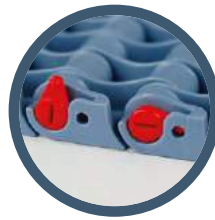
**15.0mm**  
PITCH

	NoseBars	
pg. 317	273/277/280	pg. 651>661

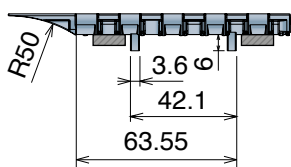
\*Material

LFA - Code 01	MX - Code 03
Low friction Acetal	Performance PBT

<b>Max w. load:</b> 21500 N/m	<b>Max w. load:</b> 17500 N/m
<b>Weight:</b> 7,8 kg/m <sup>2</sup>	<b>Weight:</b> 7,5 kg/m <sup>2</sup>
<b>Temp. range dry:</b> -40÷80 °C	<b>Temp. range dry:</b> -40÷120 °C
<b>Temp. range wet:</b> -40÷65 °C	<b>Temp. range wet:</b> -40÷60 °C
<b>Pin material:</b> PBT white	<b>Pin material:</b> POM grey



Version C

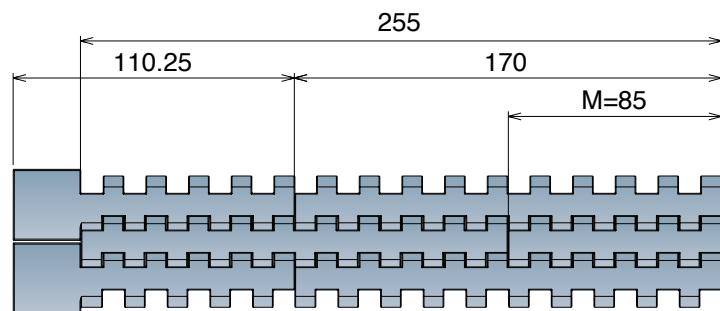


Version C

Series	Material	Width	Version
5256	*	0085	C

Max working load (N)

Width	85
LFA	1850
MX	1500



Version CN - Near



Version CO - Opposite



Version CN - Near

Series	Material	Width	Version
5256	*	0170	CN
5256	*	0255	CN

Version CO - Opposite

Series	Material	Width	Version
5256	*	0170	CO
5256	*	0255	CO

## 525 HD FG Open Surface 35% Tappeto Modulare 525 HD Flush grid, H=8,7 M=85 Modular Belt Series 525 HD Flush grid, H=8,7 M=85 / Modulare Mattenkette 525 HD Flush grid, H=8,7 M=85




CODE STRUCTURE GUIDE (Example)

Backflex radius min.: 25 mm

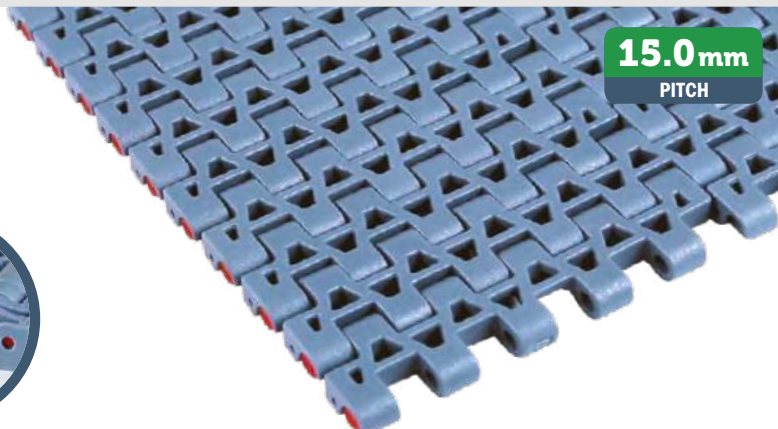
<b>5262</b>	<b>01</b>	<b>0085</b>	<b>A</b>
Series	*Material	Width	Version

**15.0mm**  
PITCH

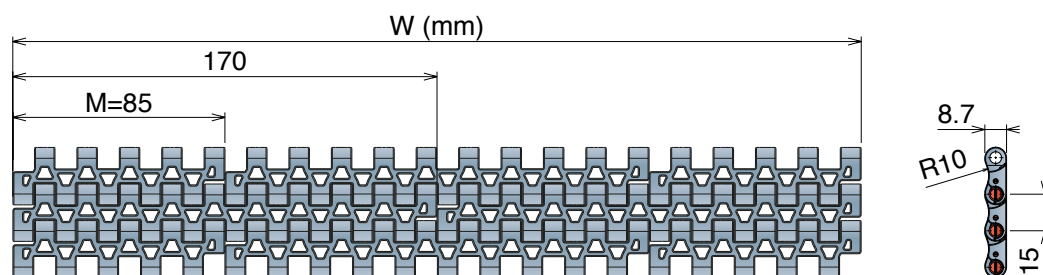
Metric Size

		
pg. 317	273/277/280	pg. 651->661

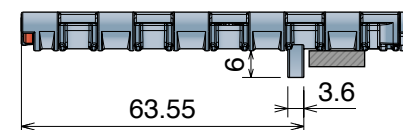
SAMPLE BOX	
Art.-Nr.	<b>5262018888A</b>



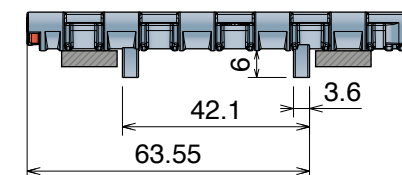
### Version A - Standard



### Version B - With 1 Positioner



### Version C - With 2 Positioners



#### \*Material

#### LFA - Code 01

Low friction Acetal

Easy Delivery

Max w. load: 25500 N/m  
Weight: 8,1 kg/m<sup>2</sup>  
Temp. range dry: -40+80 °C  
Temp. range wet: -40+65 °C  
Pin material: PBT white

#### MX - Code 03

Performance PBT

Max w. load: 20500 N/m  
Weight: 7,8 kg/m<sup>2</sup>  
Temp. range dry: -40+120 °C  
Temp. range wet: -40+60 °C  
Pin material: POM grey

#### LFB - Code 23

Low friction Acetal

Max w. load: 25500 N/m  
Weight: 8,1 kg/m<sup>2</sup>  
Temp. range dry: -40+80 °C  
Temp. range wet: -40+65 °C  
Pin material: PBT white

#### PFX - Code 30

Extra performance PBT

Max w. load: 20500 N/m  
Weight: 7,8 kg/m<sup>2</sup>  
Temp. range dry: -40+120 °C  
Temp. range wet: -40+60 °C  
Pin material: POM grey

**THE BEST CHOICE FOR  
DRY RUNNING APPLICATIONS**

### Version A - Standard

Series	Material	Width	Version
5262	*	0085	A
5262	*	0170	A
5262	*	0255	A
5262	*	0340	A
5262	*	0425	A
5262	*	0510	A
5262	*	0595	A
5262	*	0680	A
5262	*	0765	A
5262	*	0850	A
5262	*	0935	A
5262	*	1020	A
5262	*	1105	A
5262	*	1190	A
5262	*	1275	A
5262	*	1360	A
5262	*	1445	A
5262	*	1530	A

### Version B - With 1 Positioner

Series	Material	Width	Version
5262	*	0085	B
5262	*	0170	B
5262	*	0255	B
5262	*	0340	B
5262	*	0425	B
5262	*	0510	B
5262	*	0595	B
5262	*	0680	B
5262	*	0765	B
5262	*	0850	B
5262	*	0935	B
5262	*	1020	B
5262	*	1105	B
5262	*	1190	B
5262	*	1275	B
5262	*	1360	B
5262	*	1445	B
5262	*	1530	B

### Version C - With 2 Positioners

Series	Material	Width	Version
5262	*	0085	C
5262	*	0170	C
5262	*	0255	C
5262	*	0340	C
5262	*	0425	C
5262	*	0510	C
5262	*	0595	C
5262	*	0680	C
5262	*	0765	C
5262	*	0850	C
5262	*	0935	C
5262	*	1020	C
5262	*	1105	C
5262	*	1190	C
5262	*	1275	C
5262	*	1360	C
5262	*	1445	C
5262	*	1530	C

## 525 HD GT

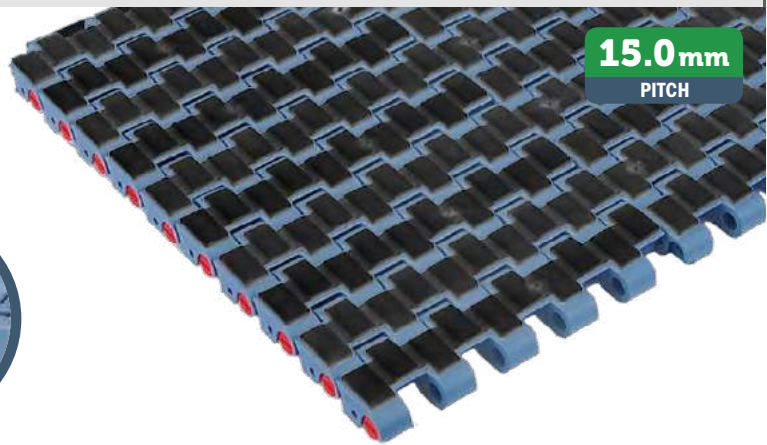
Tappeto Modulare 525 HD GT, H=8,7 M=85  
 Modular Belt Series 525 HD GT, H=8,7 M=85 / Modulare Mattenkette 525 HD GT, H=8,7 M=85

Metric Size

### CODE STRUCTURE GUIDE (Example)

Backflex radius min.: 25 mm

<b>5263</b>	<b>01</b>	<b>0085</b>	<b>A</b>
Series	*Material	Width	Version



pg. 317	273/277/280	pg. 651>661

<b>SAMPLE BOX</b>	
Art.-Nr.	<b>5263018888A</b>



### \*Material

**LFA - Code 01**  
 Low friction Acetal

Easy Delivery

Max w. load: 25500 N/m  
 Weight: 10,35 kg/m<sup>2</sup>  
 Temp. range dry: -40+80 °C  
 Temp. range wet: -40+65 °C  
 Pin material: PBT white  
 Top rubber: 50 ShA- Dark grey

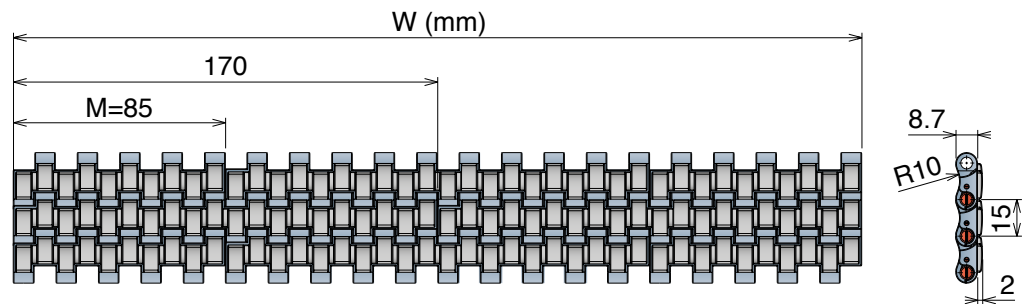
**PP - Code 02**  
 Polypropylene

Max w. load: 15500 N/m  
 Weight: 8,7 kg/m<sup>2</sup>  
 Temp. range dry: 4+80 °C  
 Temp. range wet: 4+80 °C  
 Pin material: PP blue  
 Top rubber: 50 ShA- Pigeon blue

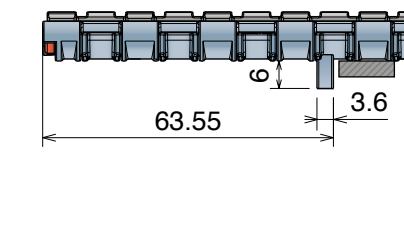
**MX - Code 03**  
 Performance PBT

Max w. load: 20500 N/m  
 Weight: 10,35 kg/m<sup>2</sup>  
 Temp. range dry: -40+120 °C  
 Temp. range wet: -40+60 °C  
 Pin material: POM grey  
 Top rubber: 50 ShA- Dark grey

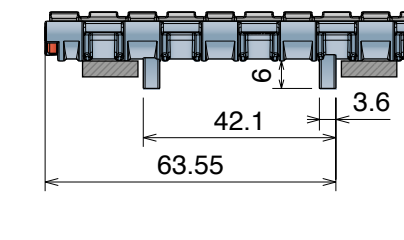
### Version A - Standard



### Version B - With 1 Positioner



### Version C - With 2 Positioners



### Version A - Standard

Series	Material	Width	Version
5263	*	0085	A
5263	*	0170	A
5263	*	0255	A
5263	*	0340	A
5263	*	0425	A
5263	*	0510	A
5263	*	0595	A
5263	*	0680	A
5263	*	0765	A
5263	*	0850	A
5263	*	0935	A
5263	*	1020	A
5263	*	1105	A
5263	*	1190	A
5263	*	1275	A
5263	*	1360	A
5263	*	1445	A
5263	*	1530	A

### Version B - With 1 Positioner

Series	Material	Width	Version
5263	*	0085	B
5263	*	0170	B
5263	*	0255	B
5263	*	0340	B
5263	*	0425	B
5263	*	0510	B
5263	*	0595	B
5263	*	0680	B
5263	*	0765	B
5263	*	0850	B
5263	*	0935	B
5263	*	1020	B
5263	*	1105	B
5263	*	1190	B
5263	*	1275	B
5263	*	1360	B
5263	*	1445	B
5263	*	1530	B

### Version C - With 2 Positioners

Series	Material	Width	Version
5263	*	0085	C
5263	*	0170	C
5263	*	0255	C
5263	*	0340	C
5263	*	0425	C
5263	*	0510	C
5263	*	0595	C
5263	*	0680	C
5263	*	0765	C
5263	*	0850	C
5263	*	0935	C
5263	*	1020	C
5263	*	1105	C
5263	*	1190	C
5263	*	1275	C
5263	*	1360	C
5263	*	1445	C
5263	*	1530	C

# 525 HD GT Side indent

Tappeti modulari / Modular belts / Mattenketten

Belts wider than standard are available with 85 mm increments



## 525 HD GT Side Indent

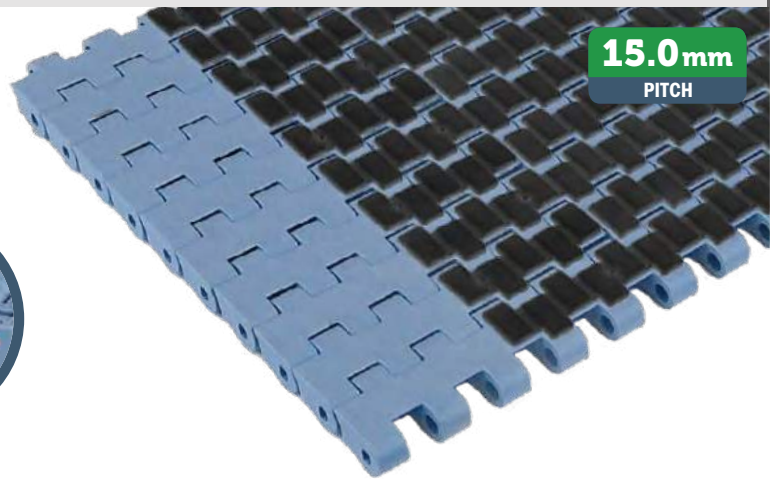
Tappeto Modulare 525 HD GT Side Indent, H=8,7 M=85  
 Modular Belt Series 525 HD GT Side Indent, H=8,7 M=85 / Modulare Mattenkette 525 HD GT Side Indent, H=8,7 M=85

CODE STRUCTURE GUIDE (Example)

Backflex radius min.: 25 mm

5265	01	0255	A
Series	*Material	Width	Version

		
pg. 317	273/277/280	pg. 651->661



Metric Size

\*Material

**LFA - Code 01**  
Low friction Acetal

Easy Delivery

Max w. load: 25500 N/m  
 Weight: 10,35 kg/m<sup>2</sup>  
 Temp. range dry: -40+80 °C  
 Temp. range wet: -40+65 °C  
 Pin material: PBT white  
 Top rubber: 50 ShA- Dark grey

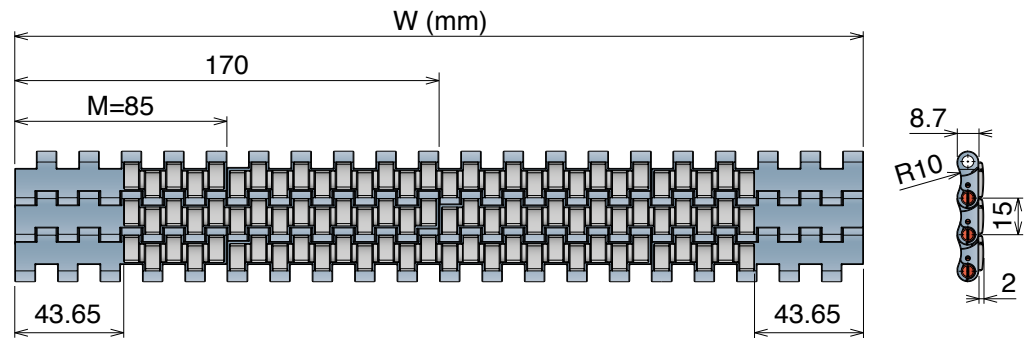
**PP - Code 02**  
Polypropylene

Max w. load: 15500 N/m  
 Weight: 8,7 kg/m<sup>2</sup>  
 Temp. range dry: 4+80 °C  
 Temp. range wet: 4+80 °C  
 Pin material: PP blue  
 Top rubber: 50 ShA- Pigeon blue

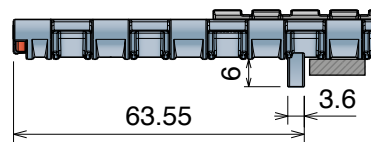
**MX - Code 03**  
Performance PBT

Max w. load: 20500 N/m  
 Weight: 10,35 kg/m<sup>2</sup>  
 Temp. range dry: -40+120 °C  
 Temp. range wet: -40+60 °C  
 Pin material: POM grey  
 Top rubber: 50 ShA- Dark grey

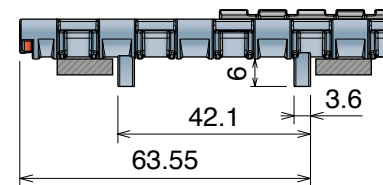
Version A - Standard



Version B - With 1 Positioner



Version C - With 2 Positioner



Version A - Standard

Series	Material	Width	Version
5265	*	0255	A
5265	*	0340	A
5265	*	0425	A
5265	*	0510	A
5265	*	0595	A
5265	*	0680	A
5265	*	0765	A
5265	*	0850	A
5265	*	0935	A
5265	*	1020	A
5265	*	1105	A
5265	*	1190	A
5265	*	1275	A
5265	*	1360	A
5265	*	1445	A
5265	*	1530	A

Version B - With 1 Positioner

Series	Material	Width	Version
5265	*	0255	B
5265	*	0340	B
5265	*	0425	B
5265	*	0510	B
5265	*	0595	B
5265	*	0680	B
5265	*	0765	B
5265	*	0850	B
5265	*	0935	B
5265	*	1020	B
5265	*	1105	B
5265	*	1190	B
5265	*	1275	B
5265	*	1360	B
5265	*	1445	B
5265	*	1530	B

Version C - With 2 Positioners

Series	Material	Width	Version
5265	*	0255	C
5265	*	0340	C
5265	*	0425	C
5265	*	0510	C
5265	*	0595	C
5265	*	0680	C
5265	*	0765	C
5265	*	0850	C
5265	*	0935	C
5265	*	1020	C
5265	*	1105	C
5265	*	1190	C
5265	*	1275	C
5265	*	1360	C
5265	*	1445	C
5265	*	1530	C

Tappeti modulari / Modular belts / Mattenketten

# 530

Pitch 15,0 mm

H= 8,7 mm



530 FT

530 FTT

530 GT

530 GT *Side indent*

530 LBP

530 PRO LBP

## 530 FT




Tappeto Modulare 530 FT, H=8,7 M=3"  
Modular Belt Series 530 FT, H=8,7 M=3" / Modulare Mattenkette 530 FT, H=8,7 M=3"

CODE STRUCTURE GUIDE (Example)

Backflex radius min.: 25 mm

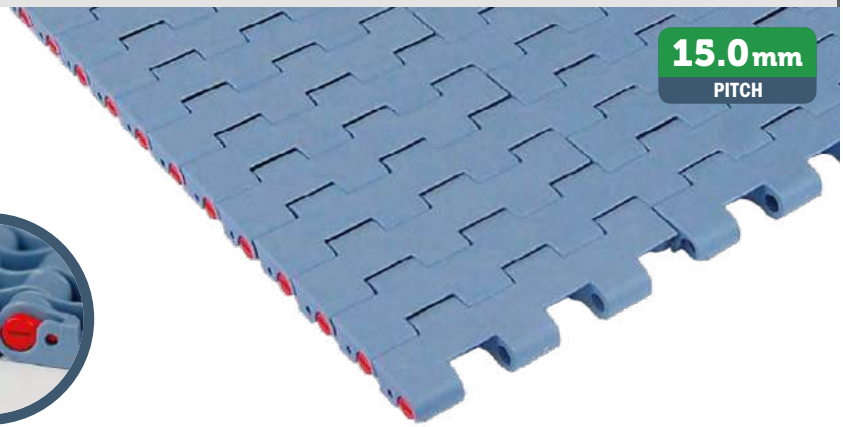
<b>5321</b>	<b>01</b>	<b>0003</b>	<b>A</b>
Series	*Material	Width	Version

**15.0mm**  
PITCH

		
pg. 317	275/278/281	pg. 651->661

### SAMPLE BOX

Art.-Nr. **5321018889A**



#### \*Material

#### LFA - Code 01

Low friction Acetal

Easy Delivery

**Max w. load:** 26000 N/m  
**Weight:** 9,2 kg/m<sup>2</sup>  
**Temp. range dry:** -40÷80 °C  
**Temp. range wet:** -40÷65 °C  
**Pin material:** PBT white

#### MX - Code 03

Performance PBT

**Max w. load:** 21000 N/m  
**Weight:** 9,0 kg/m<sup>2</sup>  
**Temp. range dry:** -40÷120 °C  
**Temp. range wet:** -40÷60 °C  
**Pin material:** POM grey

#### DKM - Code 16

Aramide Reinforced Acetal

**Max w. load:** 26000 N/m  
**Weight:** 9,2 kg/m<sup>2</sup>  
**Temp. range dry:** -40÷80 °C  
**Temp. range wet:** -40÷65 °C  
**Pin material:** PBT white

#### MWX - Code 17

Polyamide Composite

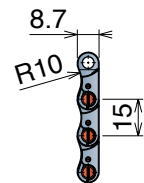
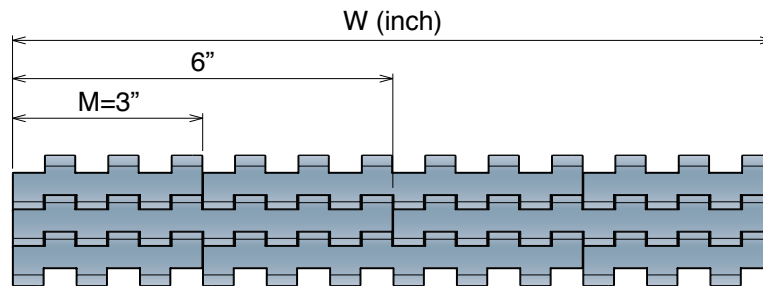
**Max w. load:** 26000 N/m  
**Weight:** 9,5 kg/m<sup>2</sup>  
**Temp. range dry:** -40÷104 °C  
**Temp. range wet:** NR  
**Pin material:** PBT white

#### MPX - Code 25

Lubricated Acetal

**Max w. load:** 26000 N/m  
**Weight:** 9,2 kg/m<sup>2</sup>  
**Temp. range dry:** -40÷80 °C  
**Temp. range wet:** -40÷65 °C  
**Pin material:** PBT white

#### Version A - Standard



#### Version A - Standard

Series	Material	Width	Version
5321	*	0003	A
5321	*	0006	A
5321	*	0009	A
5321	*	0012	A
5321	*	0015	A
5321	*	0018	A
5321	*	0021	A
5321	*	0024	A
5321	*	0027	A
5321	*	0030	A
5321	*	0033	A
5321	*	0036	A
5321	*	0039	A
5321	*	0042	A
5321	*	0045	A
5321	*	0048	A
5321	*	0051	A
5321	*	0054	A



## 530 FTT

Tappeto Modulare 530 FTT, H=8,7 M=3"  
 Modular Belt Series 530 FTT, H=8,7 M=3" / Modulare Mattenkette 530 FTT, H=8,7 M=3"

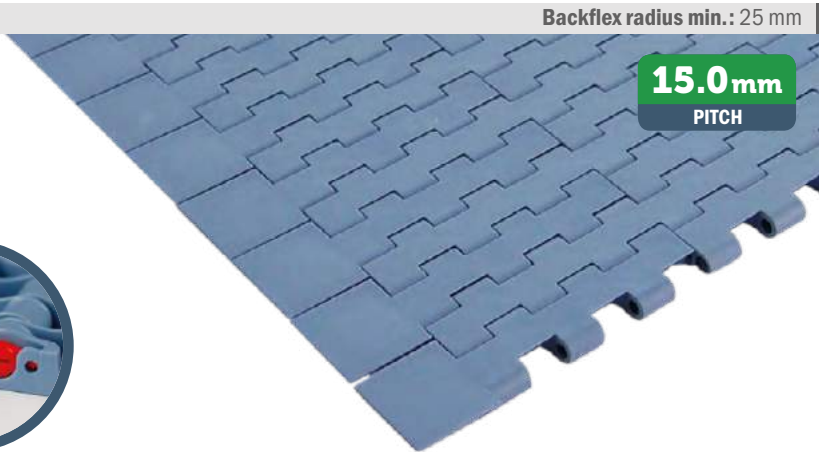
Imperial Size

CODE STRUCTURE GUIDE (Example)			
<b>5326</b>	<b>01</b>	<b>0003</b>	<b>A</b>
Series	*Material	Width	Version

Backflex radius min.: 25 mm

**15.0mm**  
PITCH

pg. 317	275/278/281	pg. 651>661



### \*Material

#### LFA - Code 01

Low friction Acetal

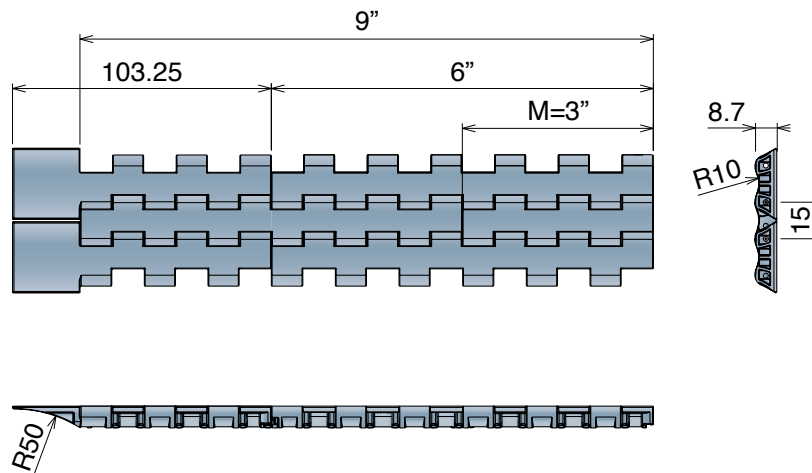
Max w. load: 26000 N/m  
 Weight: 9,2 kg/m<sup>2</sup>  
 Temp. range dry: -40÷80 °C  
 Temp. range wet: -40÷65 °C  
 Pin material: PBT white

#### MX - Code 03

Performance PBT

Max w. load: 21000 N/m  
 Weight: 9,0 kg/m<sup>2</sup>  
 Temp. range dry: -40÷120 °C  
 Temp. range wet: -40÷60 °C  
 Pin material: POM grey

### Version A - Standard



### Version A - Standard

Series	Material	Width	Version
5326	*	0003	A
5326	*	0006	A
5326	*	0009	A






## 530 GT

Tappeto Modulare 530 GT, H=8,7 M=3"  
Modular Belt Series 530 GT, H=8,7 M=3" / Modulare Mattenkette 530 GT, H=8,7 M=3"

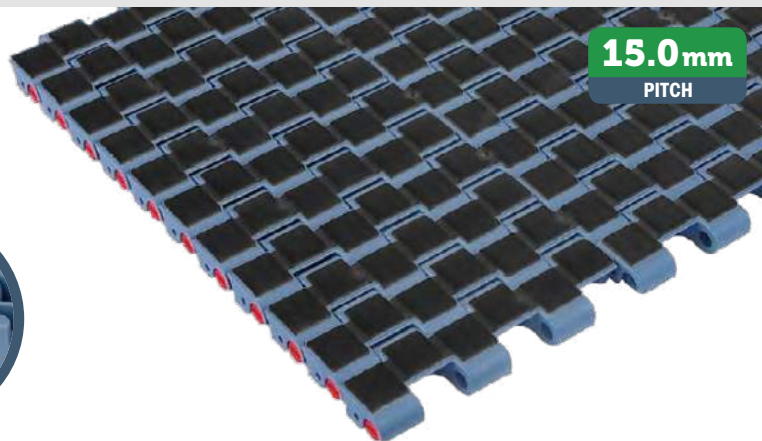
CODE STRUCTURE GUIDE (Example)

Backflex radius min.: 30 mm

<b>5323</b>	<b>01</b>	<b>0003</b>	<b>A</b>
Series	*Material	Width	Version

		
pg. 317	275/278/281	pg. 651->661

<b>SAMPLE BOX</b>	
Art.-Nr.	<b>5323018888A</b>



**15.0mm**  
PITCH



### \*Material

#### LFA - Code 01

Low friction Acetal

Easy Delivery

Max w. load: 26000 N/m  
Weight: 10,6 kg/m<sup>2</sup>  
Temp. range dry: -40+80 °C  
Temp. range wet: -40+65 °C  
Pin material: PBT white  
Top rubber: 50 ShA-Dark grey

#### PP - Code 02

Polypropylene

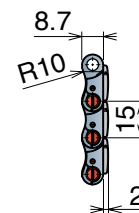
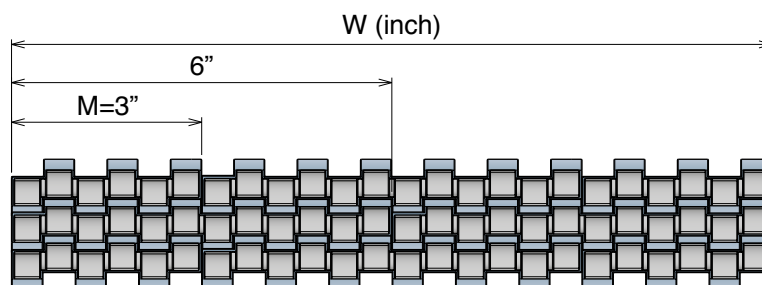
Max w. load: 16000 N/m  
Weight: 9,0 kg/m<sup>2</sup>  
Temp. range dry: 4+80 °C  
Temp. range wet: 4+80 °C  
Pin material: PP blue  
Top rubber: 50 ShA-Pigeon blue

#### MX - Code 03

Performance PBT

Max w. load: 21000 N/m  
Weight: 10,6 kg/m<sup>2</sup>  
Temp. range dry: -40+120 °C  
Temp. range wet: -40+60 °C  
Pin material: POM grey  
Top rubber: 50 ShA-Dark grey

### Version A - Standard



### Version A - Standard

Series	Material	Width	Version
5323	*	0003	A
5323	*	0006	A
5323	*	0009	A
5323	*	0012	A
5323	*	0015	A
5323	*	0018	A
5323	*	0021	A
5323	*	0024	A
5323	*	0027	A
5323	*	0030	A
5323	*	0033	A
5323	*	0036	A
5323	*	0039	A
5323	*	0042	A
5323	*	0045	A
5323	*	0048	A
5323	*	0051	A
5323	*	0054	A

## 530 GT Side indent Tappeto Modulare 530 GT, H=8,7 M=3" Modular Belt Series 530 GT, H=8,7 M=3" / Modulare Mattenkette 530 GT, H=8,7 M=3"

Imperial Size

CODE STRUCTURE GUIDE (Example)				Backflex radius min.: 30 mm
<b>5325</b>	<b>01</b>	<b>0009</b>	<b>A</b>	<b>15.0mm</b> PITCH
Series	*Material	Width	Version	

pg. 317	NoseBars 275/278/281	pg. 651>661

**\*Material**

**LFA - Code 01**  
*Low friction Acetal*

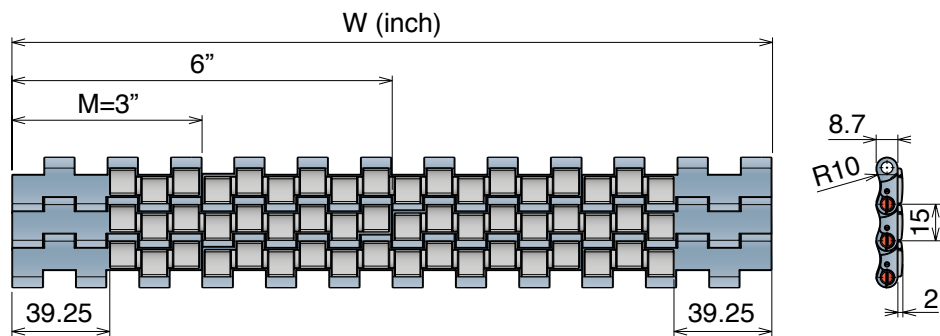
**Easy Delivery**

**Max w. load:** 26000 N/m  
**Weight:** 10,6 kg/m<sup>2</sup>  
**Temp. range dry:** -40÷80 °C  
**Temp. range wet:** -40÷65 °C  
**Pin material:** PBT white  
**Top rubber:** 50 ShA-Dark grey

**PP - Code 02**  
*Polypropylene*

**Max w. load:** 16000 N/m  
**Weight:** 9,0 kg/m<sup>2</sup>  
**Temp. range dry:** 4÷80 °C  
**Temp. range wet:** 4÷80 °C  
**Pin material:** PP blue  
**Top rubber:** 50 ShA-Pigeon blue

### Version A - Standard



**MX - Code 03**  
*Performance PBT*

**Max w. load:** 21000 N/m  
**Weight:** 10,6 kg/m<sup>2</sup>  
**Temp. range dry:** -40÷120 °C  
**Temp. range wet:** -40÷60 °C  
**Pin material:** POM grey  
**Top rubber:** 50 ShA-Dark grey

### Version A - Standard

Series	Material	Width	Version
5325	*	0009	A
5325	*	0012	A
5325	*	0015	A
5325	*	0018	A
5325	*	0021	A
5325	*	0024	A
5325	*	0027	A
5325	*	0030	A
5325	*	0033	A
5325	*	0036	A
5325	*	0039	A
5325	*	0042	A
5325	*	0045	A
5325	*	0048	A
5325	*	0051	A
5325	*	0054	A

# 530 LBP

Tappeti modulari / Modular belts / Mattenketten

Belts wider than standard are available with 6 inch increments




## 530 LBP

Tappeto Modulare 530 LBP, H=8,7 M=3"  
Modular Belt Series 530 LBP, H=8,7 M=3" / Modulare Mattenkette 530 LBP, H=8,7 M=3"

CODE STRUCTURE GUIDE (Example)

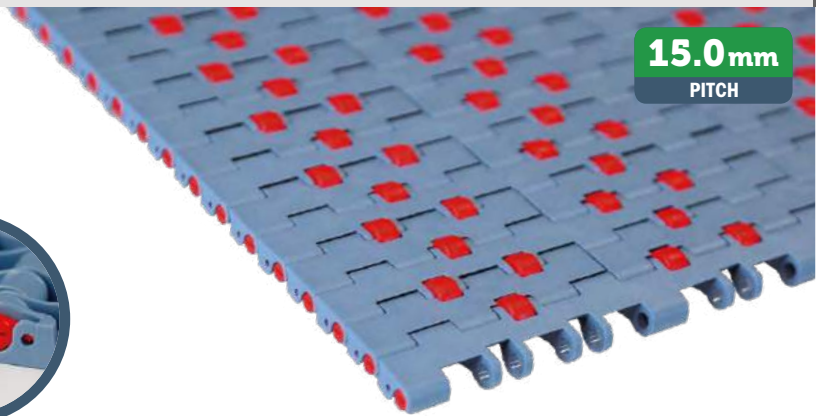
Backflex radius min.: 25 mm

5324	01	0006	A
Series	*Material	Width	Version

		
pg. 317	pg. 275/279	pg. 651->661

SAMPLE BOX

Art.-Nr. 5324018888A



**15.0mm**  
PITCH

Material

**LFA - Code 01**

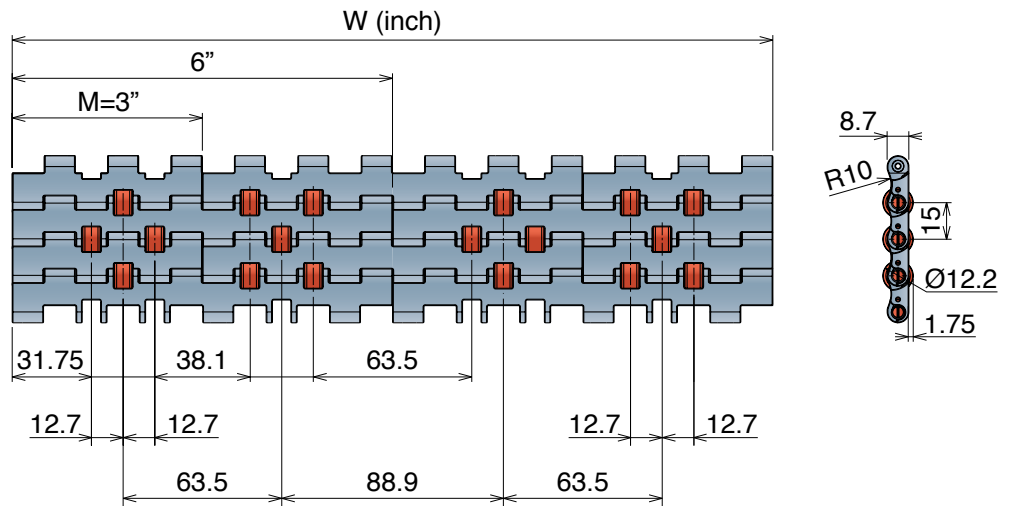
Low friction Acetal

Max w. load: 24000 N/m  
Weight: 9,0 kg/m<sup>2</sup>  
Temp. range dry: -40+80 °C  
Temp. range dry: -40+65 °C  
Pin material: PBT white

**POM Roller**

Density: 700 rollers/m<sup>2</sup>

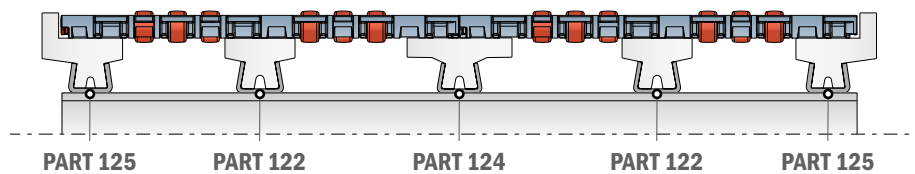
Version A - Standard



Version A - Standard

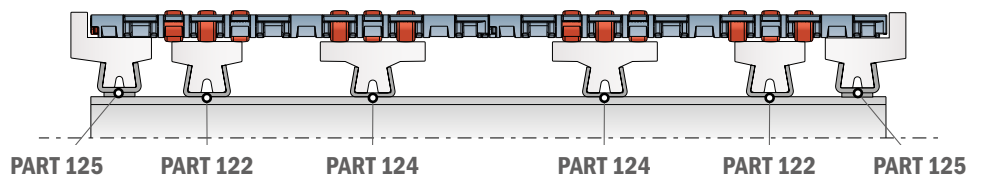
Series	Material	Width	Version
5324	01	0006	A
5324	01	0012	A
5324	01	0018	A
5324	01	0024	A
5324	01	0030	A
5324	01	0036	A
5324	01	0042	A
5324	01	0048	A
5324	01	0054	A

Guide position for accumulation system - Example



For accumulation system, please place the wear strips between the rollers (max 50 mm).

Guide position for driven rollers, for alignment/distribution system - Example



For driven rollers, please place the wear strips directly in contact under the rollers.

530 LBP can also be used with standard profiles: consult extruded profiles section for more details.

**PATENTED**

Belts wider than standard are available with 3 inch increments

## NEW 530 PRO LBP

Tappeto Modulare 530 PRO LBP, H=8,7 M=3"  
 Modular Belt Series 530 PRO LBP, H=8,7 M=3" / Modulare Mattenkette 530 PRO LBP, H=8,7 M=3"

Imperial Size

### CODE STRUCTURE GUIDE (Example)

<b>5237</b>	<b>01</b>	<b>0006</b>	<b>A</b>
Series	*Material	Width	Version

Backflex radius min.: 25 mm

**15.0mm**  
PITCH

pg. 317	pg. 276/279	pg. 651>661

<b>SAMPLE BOX</b>	
Art.-Nr.	<b>5237018888A</b>



- Easier installation
- Quicker maintenance
- High strength

### Material

#### LFA - Code 01

Low friction Acetal

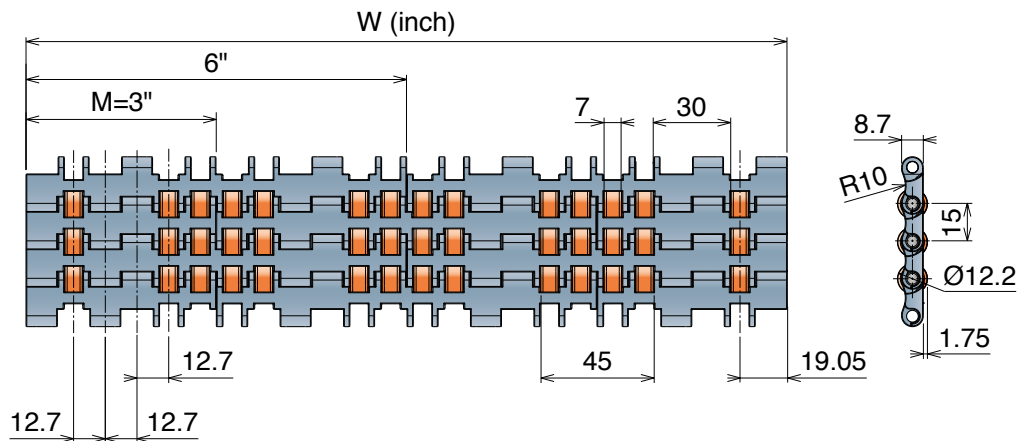
Max w. load: 21000 N/m  
 Weight: 10,0 kg/m<sup>2</sup>  
 Temp. range dry: -40+80 °C  
 Temp. range wet: -40+65 °C  
 Pin material: PBT white

#### PFX Roller

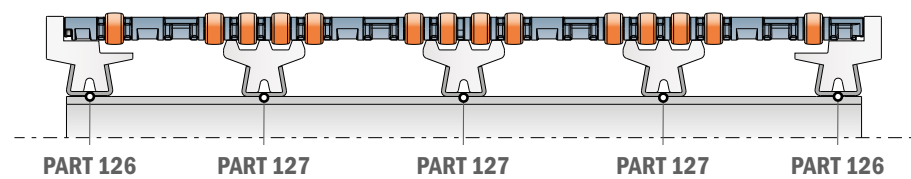
Density: 3.400 rollers/m<sup>2</sup>

**THE BEST CHOICE TO REACH  
 THE LOWEST FRICTION**

### Version A - Standard

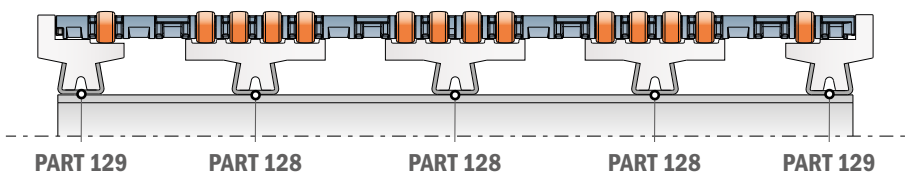


### Guide position for accumulation system - Example



For accumulation system, please place the wear strips between the rollers (max 25 mm).

### Guide position for driven rollers, for alignment/distribution system - Example

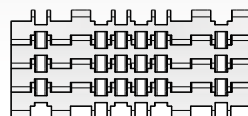


For driven rollers, please place the wear strips directly in contact under the rollers.

530 PRO LBP can also be used with standard profiles: consult extruded profiles section for more details.

### Version A - Standard

Series	Material	Width	Version
5237	01	0006	A
5237	01	0009	A
5237	01	0012	A
5237	01	0015	A
5237	01	0018	A
5237	01	0021	A
5237	01	0024	A
5237	01	0027	A
5237	01	0030	A
5237	01	0033	A
5237	01	0036	A
5237	01	0039	A
5237	01	0042	A
5237	01	0045	A
5237	01	0048	A
5237	01	0051	A
5237	01	0054	A



Rollers configuration for 530 PRO LBP, 6 inch wide belt.

# 550

Pitch 25,4 mm  
H= 8,7 mm



550 FT  
550 FT *One track Belt*  
550 FTT  
550 FG  
550 FG *One track Belt*  
550 GT

550 GT *Side indent*  
550 FLIGHT TOP  
550 PRO FT  
550 PRO M

# 550 FT

Tappeto Modulare 550 FT, H=8,7 M=85  
Modular Belt Series 550 FT, H=8,7 M=85 / Modulare Mattenkette 550 FT, H=8,7 M=85

Metric Size

CODE STRUCTURE GUIDE (Example)

Backflex radius min.: 25 mm

5501	01	0085	A
Series	*Material	Width	Version

**25.4mm**  
PITCH

\*Material

**LFA - Code 01**

Low friction Acetal

Easy Delivery

Max w. load: 30000 N/m  
Weight: 8,5 kg/m<sup>2</sup>  
Temp. range dry: -40+80 °C  
Temp. range wet: -40+65 °C  
Pin material: PBT white

**PP - Code 02**

Polypropylene

Max w. load: 18000 N/m  
Weight: 8,4 kg/m<sup>2</sup>  
Temp. range dry: 4+104 °C  
Temp. range wet: 4+104 °C  
Pin material: PP blue

**MX - Code 03**

Performance PBT

Max w. load: 24000 N/m  
Weight: 8,2 kg/m<sup>2</sup>  
Temp. range dry: -40+120 °C  
Temp. range wet: -40+60 °C  
Pin material: POM grey

**LFW - Code 05**

Low friction Acetal

Max w. load: 30000 N/m  
Weight: 8,5 kg/m<sup>2</sup>  
Temp. range dry: -40+80 °C  
Temp. range wet: -40+65 °C  
Pin material: PBT white

**DKM - Code 16**

Aramide Reinforced Acetal

Max w. load: 30000 N/m  
Weight: 8,5 kg/m<sup>2</sup>  
Temp. range dry: -40+80 °C  
Temp. range wet: -40+65 °C  
Pin material: PBT white

**MWX - Code 17**

Polyamide Composite

Max w. load: 30000 N/m  
Weight: 8,9 kg/m<sup>2</sup>  
Temp. range dry: -40+104 °C  
Temp. range wet: NR  
Pin material: PBT white

**LFB - Code 23**

Low friction Acetal

Max w. load: 30000 N/m  
Weight: 8,5 kg/m<sup>2</sup>  
Temp. range dry: -40+80 °C  
Temp. range wet: -40+65 °C  
Pin material: PBT white

**PFX - Code 30**

Extra performance PBT

Max w. load: 24000 N/m  
Weight: 8,2 kg/m<sup>2</sup>  
Temp. range dry: -40+120 °C  
Temp. range wet: -40+60 °C  
Pin material: POM grey



- Easier installation
- Quicker maintenance
- 100% interchangeable

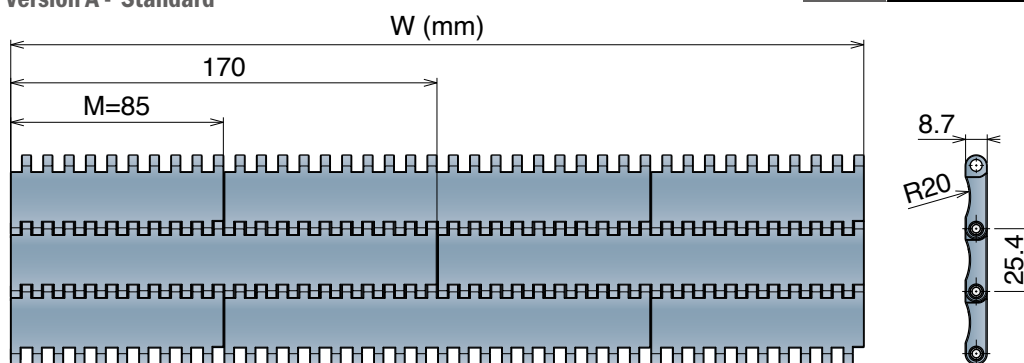
pg. 319/320

pg. 651→661

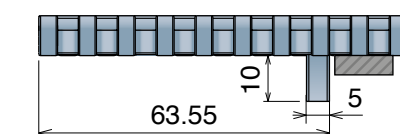
SAMPLE BOX

Art.-Nr. 5501018888A

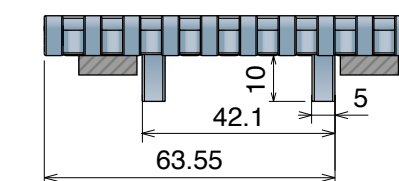
Version A - Standard



Version B - With 1 Positioner



Version C - With 2 Positioner



Version A - Standard

Series	Material	Width	Version
5501	*	0085	A
5501	*	0170	A
5501	*	0255	A
5501	*	0340	A
5501	*	0425	A
5501	*	0510	A
5501	*	0595	A
5501	*	0680	A
5501	*	0765	A
5501	*	0850	A
5501	*	0935	A
5501	*	1020	A
5501	*	1105	A
5501	*	1190	A
5501	*	1275	A
5501	*	1360	A
5501	*	1445	A
5501	*	1530	A

Version B - With 1 Positioner

Series	Material	Width	Version
5501	*	0085	B
5501	*	0170	B
5501	*	0255	B
5501	*	0340	B
5501	*	0425	B
5501	*	0510	B
5501	*	0595	B
5501	*	0680	B
5501	*	0765	B
5501	*	0850	B
5501	*	0935	B
5501	*	1020	B
5501	*	1105	B
5501	*	1190	B
5501	*	1275	B
5501	*	1360	B
5501	*	1445	B
5501	*	1530	B

Version C - With 2 Positioners

Series	Material	Width	Version
5501	*	0085	C
5501	*	0170	C
5501	*	0255	C
5501	*	0340	C
5501	*	0425	C
5501	*	0510	C
5501	*	0595	C
5501	*	0680	C
5501	*	0765	C
5501	*	0850	C
5501	*	0935	C
5501	*	1020	C
5501	*	1105	C
5501	*	1190	C
5501	*	1275	C
5501	*	1360	C
5501	*	1445	C
5501	*	1530	C

## 550 FT One track Belt

Tappeto Modulare 550 FT, H=8,7 K330  
Modular Belt Series 550 FT, H=8,7 K330 / Modulare Mattenkette 550 FT, H=8,7 K330

CODE STRUCTURE GUIDE (Example)

Backflex radius min.: 25 mm

<b>5221</b>	<b>01</b>	<b>9330</b>	<b>A</b>
Series	*Material	Width	Version

**25.4mm**  
PITCH



\*Material

### LFA - Code 01

Low friction Acetal

Easy Delivery

Max w. load: 2500 N  
Weight: 8,5 kg/m<sup>2</sup>  
Temp. range dry: -40÷80 °C  
Temp. range wet: -40÷65 °C  
Pin material: PBT white

### PP - Code 02

Polypropylene

Max w. load: 1500 N  
Weight: 8,4 kg/m<sup>2</sup>  
Temp. range dry: 4÷104 °C  
Temp. range wet: 4÷104 °C  
Pin material: PP blue

### MX - Code 03

Performance PBT

Max w. load: 2000 N  
Weight: 8,2 kg/m<sup>2</sup>  
Temp. range dry: -40÷120 °C  
Temp. range wet: -40÷60 °C  
Pin material: POM grey

### DKM - Code 16

Aramid Reinforced Acetal

Max w. load: 2500 N  
Weight: 8,5 kg/m<sup>2</sup>  
Temp. range dry: -40÷80 °C  
Temp. range wet: -40÷65 °C  
Pin material: PBT white

### MWX - Code 17

Polyamide Composite

Max w. load: 2500 N  
Weight: 8,9 kg/m<sup>2</sup>  
Temp. range dry: -40÷104 °C  
Temp. range wet: NR  
Pin material: PBT white

### LFB - Code 23

Low friction Acetal

Max w. load: 2500 N  
Weight: 8,5 kg/m<sup>2</sup>  
Temp. range dry: -40÷80 °C  
Temp. range wet: -40÷65 °C  
Pin material: PBT white

### PFX - Code 30

Extra performance PBT

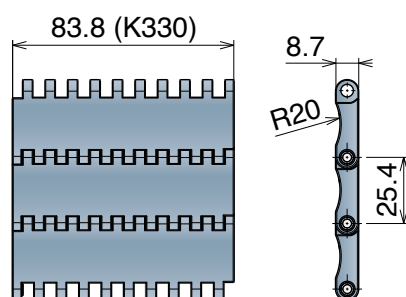
Max w. load: 2000 N  
Weight: 8,2 kg/m<sup>2</sup>  
Temp. range dry: -40÷120 °C  
Temp. range wet: -40÷60 °C  
Pin material: POM grey

**THE BEST CHOICE FOR DRY RUNNING APPLICATIONS**

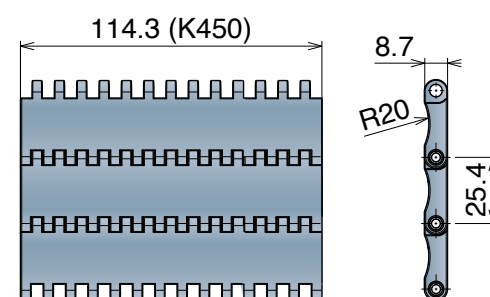


- Easier installation
- Quicker maintenance
- 10% Higher strength

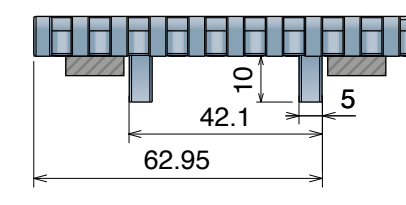
### K330 Version A - Standard



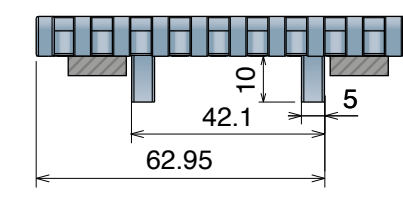
### K450 Version A - Standard



### Version C - With 2 Positioner



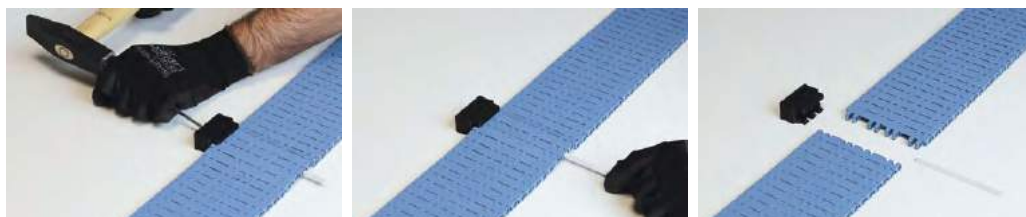
### Version C - With 2 Positioner



Series	Material	Width	Version
5221	*	9330	A
5221	*	9330	C

Series	Material	Width	Version
5221	*	9450	A
5221	*	9450	C

### Disassembling / Assembling mode



NEW

## 550 FT one track belt MOVEX TOOL

The specific tool for belts developed to facilitate belt assembly and disassembly.



Article Nr. 29970

Movex tools are made with 3D printer, the color may vary due to availability of the material.



## 550 FTT

Tappeto Modulare 550 FTT, H=8,7 M=85  
 Modular Belt Series 550 FTT, H=8,7 M=85 / Modulare Mattenkette 550 FTT, H=8,7 M=85

Metric Size

### CODE STRUCTURE GUIDE (Example)

Backflex radius min.: 25 mm

<b>5506</b>	<b>01</b>	<b>0085</b>	<b>C</b>
Series	*Material	Width	Version

**25.4mm**  
PITCH



pg. 319/320



pg. 651>661

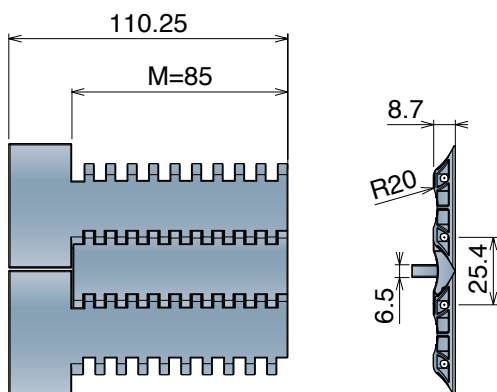
### \*Material

<b>LFA - Code 01</b> Low friction Acetal	<b>MX - Code 03</b> Performance PBT
---	--

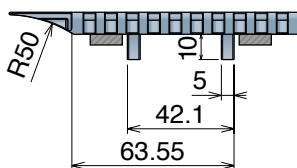
<b>Max w. load:</b> 30000 N/m	<b>Max w. load:</b> 24000 N/m
<b>Weight:</b> 8,5 kg/m <sup>2</sup>	<b>Weight:</b> 8,2 kg/m <sup>2</sup>
<b>Temp. range dry:</b> -40÷80 °C	<b>Temp. range dry:</b> -40÷120 °C
<b>Temp. range wet:</b> -40÷65 °C	<b>Temp. range wet:</b> -40÷60 °C
<b>Pin material:</b> PBT white	<b>Pin material:</b> POM grey



- Easier installation
- Quicker maintenance
- 100% interchangeable



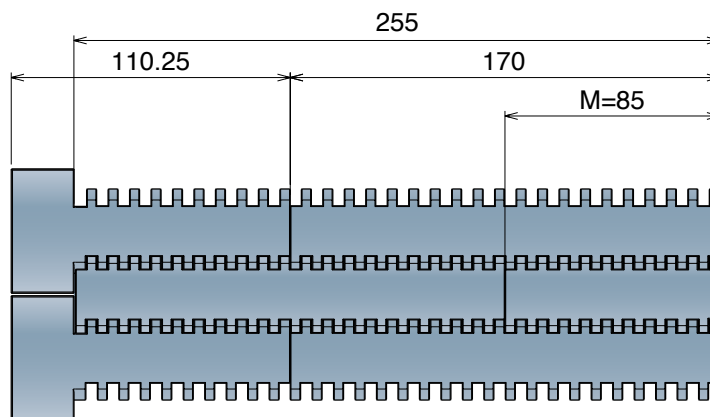
Version C



Version C

Series	Material	Width	Version
5506	*	0085	C

Max working load (N)	
Width	85
LFA	2300
MX	1850



Version CN - Near



Version CO - Opposite



Version CN - Near

Series	Material	Width	Version
5506	*	0170	CN
5506	*	0255	CN

Version CO - Opposite

Series	Material	Width	Version
5506	*	0170	CO
5506	*	0255	CO

## 550 FG Open Surface 25% Tappeto Modulare 550 FG, H=8,7 M=85 Modular Belt Series 550 FG, H=8,7 M=85 / Modulare Mattenkette 550 FG, H=8,7 M=85

CODE STRUCTURE GUIDE (Example)

Backflex radius min.: 25 mm

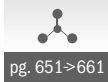
<b>5222</b>	<b>01</b>	<b>0085</b>	<b>A</b>
Series	*Material	Width	Version

**25.4mm**  
PITCH

Metric Size



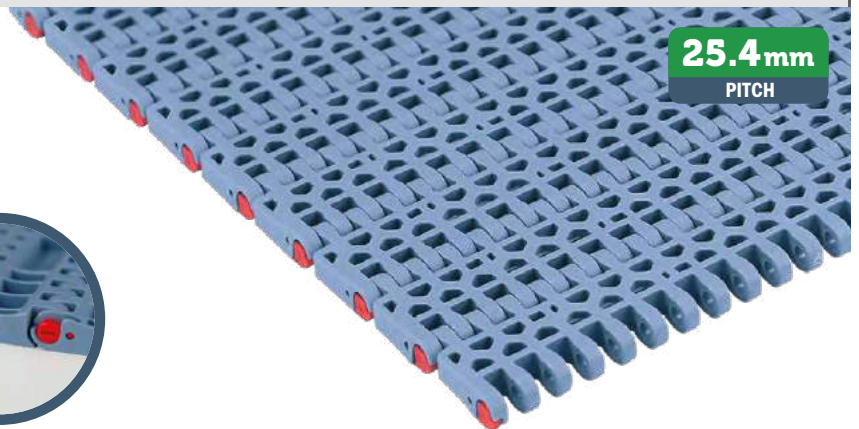
pg. 319/320



pg. 651>661

SAMPLE BOX

Art.-Nr. **5222018888A**



\*Material

**LFA - Code 01**

Low friction Acetal

Easy Delivery

Max w. load: 27500 N/m  
Weight: 7,0 kg/m<sup>2</sup>  
Temp. range dry: -40+80 °C  
Temp. range wet: -40+65 °C  
Pin material: PBT white

**MX - Code 03**

Performance PBT

Max w. load: 22000 N/m  
Weight: 6,7 kg/m<sup>2</sup>  
Temp. range dry: -40+120 °C  
Temp. range wet: -40+60 °C  
Pin material: POM grey

**LFB - Code 23**

Low friction Acetal

Max w. load: 27500 N/m  
Weight: 7,0 kg/m<sup>2</sup>  
Temp. range dry: -40+80 °C  
Temp. range wet: -40+65 °C  
Pin material: PBT white

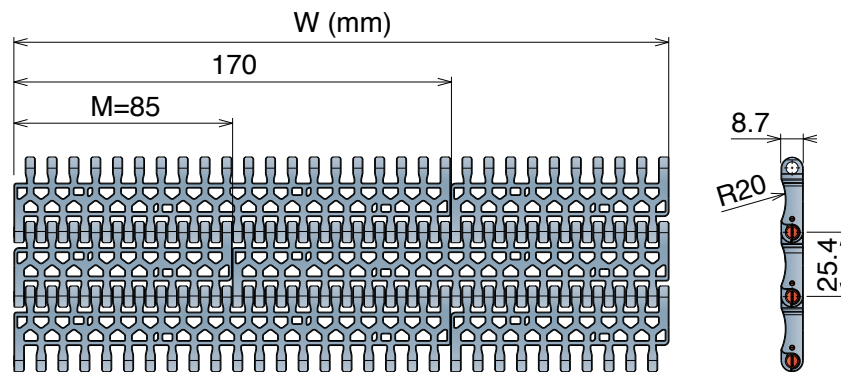
**PFX - Code 30**

Extra performance PBT

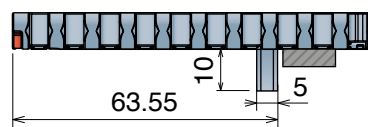
Max w. load: 22000 N/m  
Weight: 6,7 kg/m<sup>2</sup>  
Temp. range dry: -40+120 °C  
Temp. range wet: -40+60 °C  
Pin material: POM grey

**THE BEST CHOICE FOR  
DRY RUNNING APPLICATIONS**

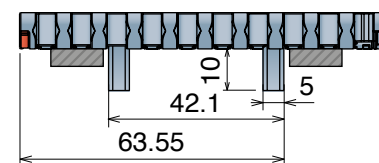
Version A - Standard



Version B - With 1 Positioner



Version C - With 2 Positioners



Version A - Standard

Series	Material	Width	Version
5222	*	0085	A
5222	*	0170	A
5222	*	0255	A
5222	*	0340	A
5222	*	0425	A
5222	*	0510	A
5222	*	0595	A
5222	*	0680	A
5222	*	0765	A
5222	*	0850	A
5222	*	0935	A
5222	*	1020	A
5222	*	1105	A
5222	*	1190	A
5222	*	1275	A
5222	*	1360	A
5222	*	1445	A
5222	*	1530	A

Version B - With 1 Positioner

Series	Material	Width	Version
5222	*	0085	B
5222	*	0170	B
5222	*	0255	B
5222	*	0340	B
5222	*	0425	B
5222	*	0510	B
5222	*	0595	B
5222	*	0680	B
5222	*	0765	B
5222	*	0850	B
5222	*	0935	B
5222	*	1020	B
5222	*	1105	B
5222	*	1190	B
5222	*	1275	B
5222	*	1360	B
5222	*	1445	B
5222	*	1530	B

Version C - With 2 Positioners

Series	Material	Width	Version
5222	*	0085	C
5222	*	0170	C
5222	*	0255	C
5222	*	0340	C
5222	*	0425	C
5222	*	0510	C
5222	*	0595	C
5222	*	0680	C
5222	*	0765	C
5222	*	0850	C
5222	*	0935	C
5222	*	1020	C
5222	*	1105	C
5222	*	1190	C
5222	*	1275	C
5222	*	1360	C
5222	*	1445	C
5222	*	1530	C

## 550 FG One track Belt Open Surface 25% Tappeto Modulare 550 FG, H=8,7 K330 Modular Belt Series 550 FG, H=8,7 K330 / Modulare Mattenkette 550 FG, H=8,7 K330

CODE STRUCTURE GUIDE (Example)

Backflex radius min.: 25 mm

<b>5222</b>	<b>01</b>	<b>9330</b>	<b>A</b>
Series	*Material	Width	Version

**25.4mm**  
PITCH



pg. 319/320

pg. 651-661



Metric Size

### \*Material

#### LFA - Code 01

Low friction Acetal

Easy Delivery

Max w. load: 2300 N  
Weight: 7,0 kg/m<sup>2</sup>  
Temp. range dry: -40÷80 °C  
Temp. range wet: -40÷65 °C  
Pin material: PBT white

#### MX - Code 03

Performance PBT

Max w. load: 1850 N  
Weight: 6,7 kg/m<sup>2</sup>  
Temp. range dry: -40÷120 °C  
Temp. range wet: -40÷60 °C  
Pin material: POM grey

#### LFB - Code 23

Low friction Acetal

Max w. load: 2300 N  
Weight: 7,0 kg/m<sup>2</sup>  
Temp. range dry: -40÷80 °C  
Temp. range wet: -40÷65 °C  
Pin material: PBT white

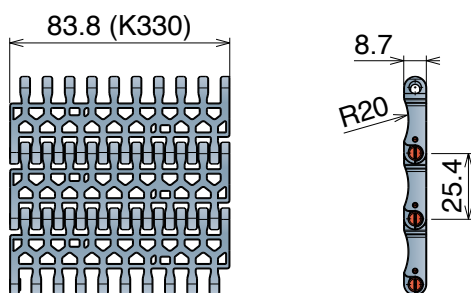
#### PFX - Code 30

Extra performance PBT

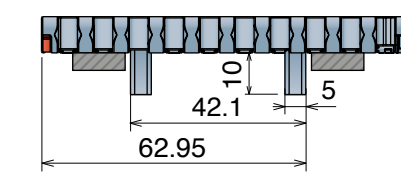
Max w. load: 1850 N  
Weight: 6,7 kg/m<sup>2</sup>  
Temp. range dry: -40÷120 °C  
Temp. range wet: -40÷60 °C  
Pin material: POM grey

**THE BEST CHOICE FOR  
DRY RUNNING APPLICATIONS**

### Version A - Standard



### Version C - With 2 Positioner



### Version A - Standard

Series	Material	Width	Version
5222	*	9330	A

### Version C - With 2 Positioners

Series	Material	Width	Version
5222	*	9330	C

## 550 GT

Tappeto Modulare 550 GT, H=8,7 M=85  
Modular Belt Series 550 GT, H=8,7 M=85 / Modulare Mattenkette 550 GT, H=8,7 M=85

CODE STRUCTURE GUIDE (Example)

Backflex radius min.: 30 mm

<b>5503</b>	<b>01</b>	<b>0085</b>	<b>A</b>
Series	*Material	Width	Version

**25.4mm**  
PITCH

Metric Size



pg. 319/320

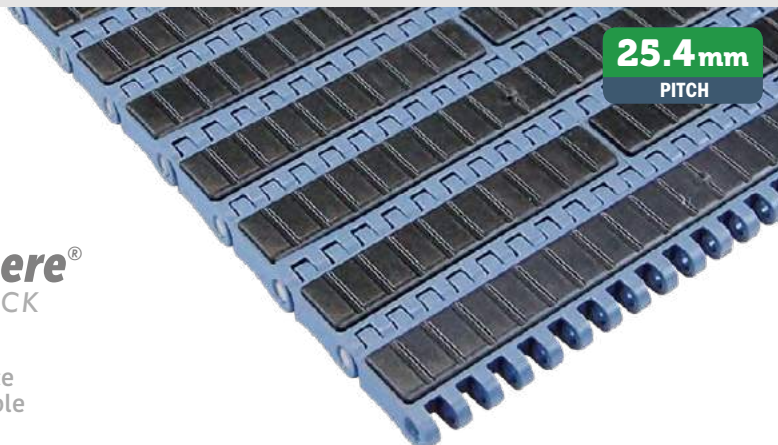
pg. 651>661

SAMPLE BOX

Art.-Nr. **550301888A**



- Easier installation
- Quicker maintenance
- 100% interchangeable



\*Material

### LFA - Code 01

Low friction Acetal

Max w. load: 27500 N/m  
Weight: 10,1 kg/m<sup>2</sup>  
Temp. range dry: -40+80 °C  
Temp. range wet: -40+65 °C  
Pin material: PBT white  
Top rubber: 50 ShA-Dark grey

### PP - Code 02

Polypropylene

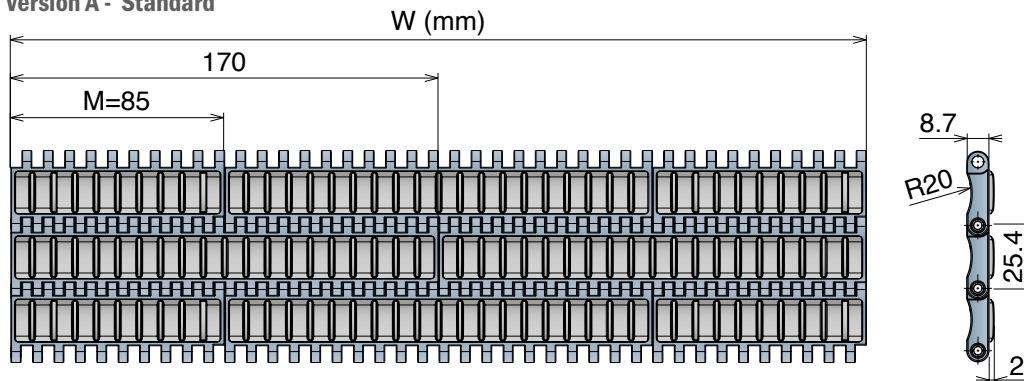
Max w. load: 16500 N/m  
Weight: 8,4 kg/m<sup>2</sup>  
Temp. range dry: 4+80 °C  
Temp. range wet: 4+80 °C  
Pin material: PP blue  
Top rubber: 50 ShA-Pigeon blue

### MX - Code 03

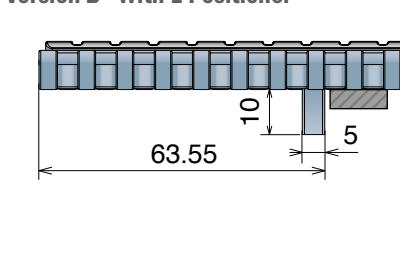
Performance PBT

Max w. load: 21500 N/m  
Weight: 10,5 kg/m<sup>2</sup>  
Temp. range dry: -40+120 °C  
Temp. range wet: -40+60 °C  
Pin material: POM grey  
Top rubber: 50 ShA-Dark grey

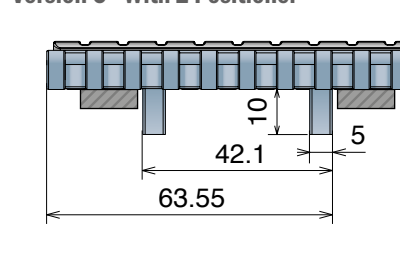
#### Version A - Standard



#### Version B - With 1 Positioner



#### Version C - With 2 Positioners



#### Version A - Standard

Series	Material	Width	Version
5503	*	0085	A
5503	*	0170	A
5503	*	0255	A
5503	*	0340	A
5503	*	0425	A
5503	*	0510	A
5503	*	0595	A
5503	*	0680	A
5503	*	0765	A
5503	*	0850	A
5503	*	0935	A
5503	*	1020	A
5503	*	1105	A
5503	*	1190	A
5503	*	1275	A
5503	*	1360	A
5503	*	1445	A
5503	*	1530	A

#### Version B - With 1 Positioner

Series	Material	Width	Version
5503	*	0085	B
5503	*	0170	B
5503	*	0255	B
5503	*	0340	B
5503	*	0425	B
5503	*	0510	B
5503	*	0595	B
5503	*	0680	B
5503	*	0765	B
5503	*	0850	B
5503	*	0935	B
5503	*	1020	B
5503	*	1105	B
5503	*	1190	B
5503	*	1275	B
5503	*	1360	B
5503	*	1445	B
5503	*	1530	B

#### Version C - With 2 Positioners

Series	Material	Width	Version
5503	*	0085	C
5503	*	0170	C
5503	*	0255	C
5503	*	0340	C
5503	*	0425	C
5503	*	0510	C
5503	*	0595	C
5503	*	0680	C
5503	*	0765	C
5503	*	0850	C
5503	*	0935	C
5503	*	1020	C
5503	*	1105	C
5503	*	1190	C
5503	*	1275	C
5503	*	1360	C
5503	*	1445	C
5503	*	1530	C

## 550 GT Side indent Tappeto Modulare 550 GT, H=8,7 M=85 Modular Belt Series 550 GT, H=8,7 M=85 / Modulare Mattenkette 550 GT, H=8,7 M=85

CODE STRUCTURE GUIDE (Example)

Backflex radius min.: 30 mm

<b>5505</b>	<b>01</b>	<b>0255</b>	<b>A</b>
Series	*Material	Width	Version

**25.4mm**  
PITCH



pg. 319/320

pg. 651>661



- Easier installation
- Quicker maintenance
- 100% interchangeable

Metric Size

**\*Material**

**LFA - Code 01**

Low friction Acetal

- Max w. load: 27500 N/m
- Weight: 10,1 kg/m<sup>2</sup>
- Temp. range dry: -40÷80 °C
- Temp. range wet: -40÷65 °C
- Pin material: PBT white
- Top rubber: 50 Sha-Dark grey

**PP - Code 02**

Polypropylene

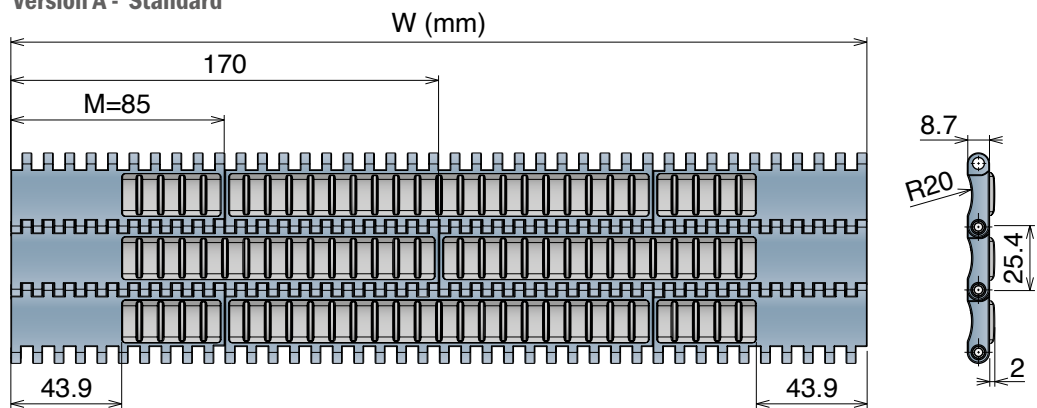
- Max w. load: 16500 N/m
- Weight: 8,4 kg/m<sup>2</sup>
- Temp. range dry: 4÷80 °C
- Temp. range wet: 4÷80 °C
- Pin material: PP blue
- Top rubber: 50 Sha-Pigeon blue

**MX - Code 03**

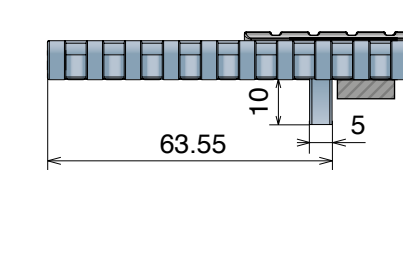
Performance PBT

- Max w. load: 21500 N/m
- Weight: 10,5 kg/m<sup>2</sup>
- Temp. range dry: -40÷120 °C
- Temp. range wet: -40÷60 °C
- Pin material: POM grey
- Top rubber: 50 Sha-Dark grey

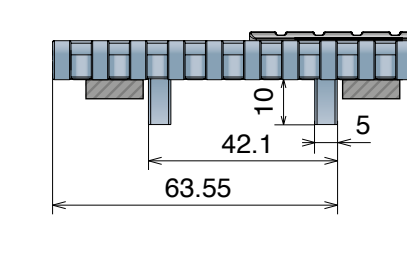
**Version A - Standard**



**Version B - With 1 Positioner**



**Version C - With 2 Positioners**



**Version A - Standard**

Series	Material	Width	Version
5505	*	0255	A
5505	*	0340	A
5505	*	0425	A
5505	*	0510	A
5505	*	0595	A
5505	*	0680	A
5505	*	0765	A
5505	*	0850	A
5505	*	0935	A
5505	*	1020	A
5505	*	1105	A
5505	*	1190	A
5505	*	1275	A
5505	*	1360	A
5505	*	1445	A
5505	*	1530	A

**Version B - With 1 Positioner**

Series	Material	Width	Version
5505	*	0255	B
5505	*	0340	B
5505	*	0425	B
5505	*	0510	B
5505	*	0595	B
5505	*	0680	B
5505	*	0765	B
5505	*	0850	B
5505	*	0935	B
5505	*	1020	B
5505	*	1105	B
5505	*	1190	B
5505	*	1275	B
5505	*	1360	B
5505	*	1445	B
5505	*	1530	B

**Version C - With 2 Positioners**

Series	Material	Width	Version
5505	*	0255	C
5505	*	0340	C
5505	*	0425	C
5505	*	0510	C
5505	*	0595	C
5505	*	0680	C
5505	*	0765	C
5505	*	0850	C
5505	*	0935	C
5505	*	1020	C
5505	*	1105	C
5505	*	1190	C
5505	*	1275	C
5505	*	1360	C
5505	*	1445	C
5505	*	1530	C

# 550 FLIGHT TOP

Tappeti modulari / Modular belts / Mattenketten

PATENTED

Metric Size

## NEW 550 FLIGHT TOP Tappeto Modulare 550 with Flight, H=8,7 M=85 Modular Belt Series 550 with Flight, H=8,7 M=85 / Modulare Mattenkette 550 with Flight, H=8,7 M=85

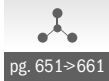
CODE STRUCTURE GUIDE

Backflex radius min.: 30 mm

See following table



pg. 319/320



pg. 651>661

SAMPLE BOX

Art.-Nr. 5509018888A

Material

### LFA - Code 01

Low friction Acetal

Max w. load: 30000 N/m  
Weight: 8,5 kg/m<sup>2</sup>  
Temp. range dry: -40÷80 °C  
Temp. range wet: -40÷65 °C  
Pin material: PBT white

### PP - Code 02

Polypropylene

Max w. load: 18000 N/m  
Weight: 8,4 kg/m<sup>2</sup>  
Temp. range dry: 4÷104 °C  
Temp. range wet: 4÷104 °C  
Pin material: PP blue

### LFW - Code 05

Low friction Acetal

Max w. load: 30000 N/m  
Weight: 8,5 kg/m<sup>2</sup>  
Temp. range dry: -40÷80 °C  
Temp. range wet: -40÷65 °C  
Pin material: PBT white

### PPW - Code 21

Polypropylene

Max w. load: 18000 N/m  
Weight: 8,4 kg/m<sup>2</sup>  
Temp. range dry: 4÷104 °C  
Temp. range wet: 4÷104 °C  
Pin material: PP blue

### LFB - Code 23

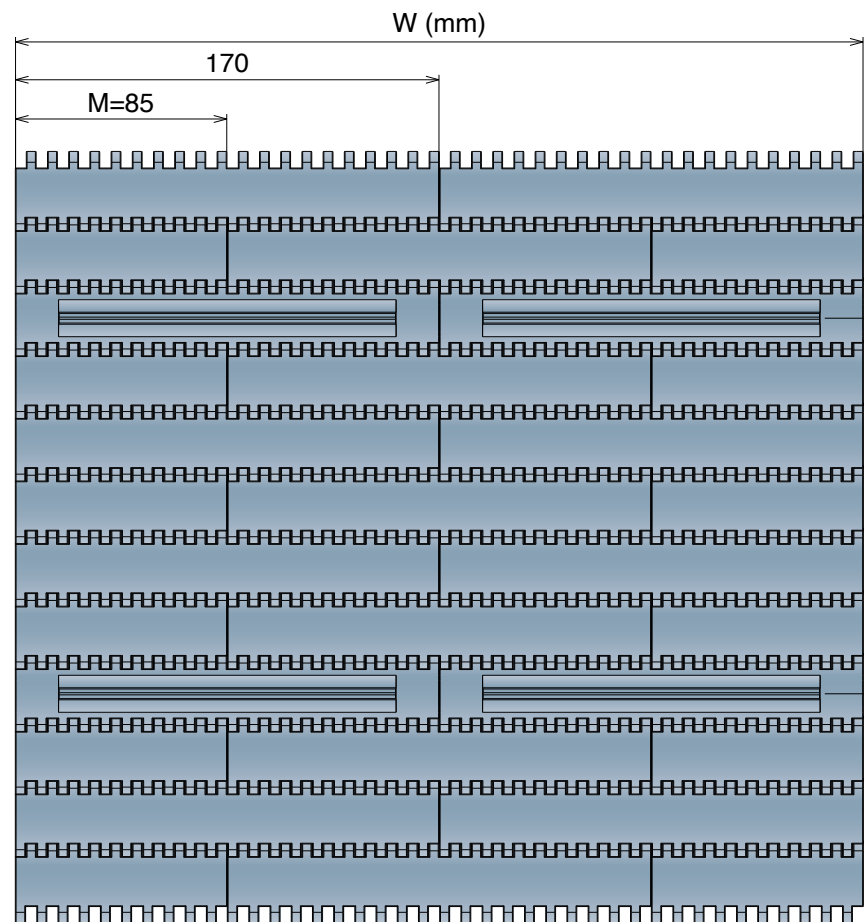
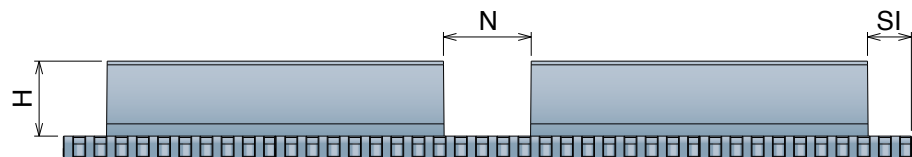
Low friction Acetal

Max w. load: 30000 N/m  
Weight: 8,5 kg/m<sup>2</sup>  
Temp. range dry: -40÷80 °C  
Temp. range wet: -40÷65 °C  
Pin material: PBT white



- Easier installation
- Quicker maintenance
- 100% interchangeable

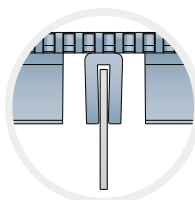
#### Version A - Standard



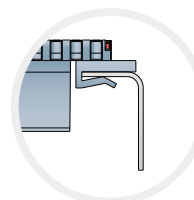
25.4 mm  
PITCH



THE PERFECT SOLUTION TO CONVEY EVERY TYPE OF PRODUCTS UP AN INCLINE!



**Notch utility**  
RETURN SECTION with Bar-cap

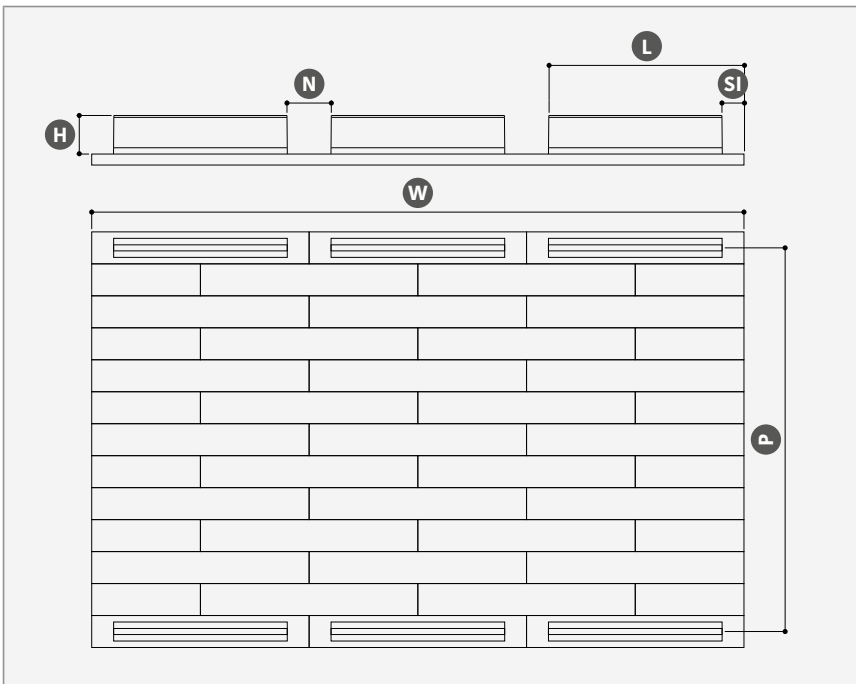


**Side indent utility**  
RETURN SECTION with Z-Profile & J-Profile

## Request for quotation

Metric Size

### Technical drawing



Company

Sales contact

Contact

Date

For different combination, please ask to your sales representative.

Fill out the form and send to your sales contact or to:

[info@movexii.com](mailto:info@movexii.com)

Please fill out the following form or add dimensions into the drawing.

### Technical features

Dimension expressed in millimeter

Belt surface	Flat Top (FT)		Flush Grid (FG)		Grip Top (GT)	
Material & colour	LFA	LFW	<b>LFB</b>	PP	PPW	
W - Width	Standard (85 multiple)			Special (17 multiple)		
H - Flight height	Standard 30	Standard 51	Standard 76	Special (Max 76)		
P - Pitch	Number of pitches or distance between flights (25,4 mm multiple)					
SI - Side Indent*	No	17	30	50		
Notch*	No	Single	Double	Triple		
	<b>N</b> - Notch width (preferred 34 or 60 mm)			<b>L</b> - Notch distance (2 or more)		

### Configuration recommended

Dimensions expressed in millimeter

Width ≤ 170	170 > Width ≤ 425	425 > Width ≤ 850	Width > 850

## 550 PRO FT

Tappeto Modulare 550 PRO FT, H=8,7 K330  
Modular Belt Series 550 PRO FT, H=8,7 K330 / Modulare Mattenkette 550 PRO FT, H=8,7 K330

CODE STRUCTURE GUIDE (Example)

Backflex radius min.: 25 mm

5227	01	9330	A
Series	*Material	Width	Version

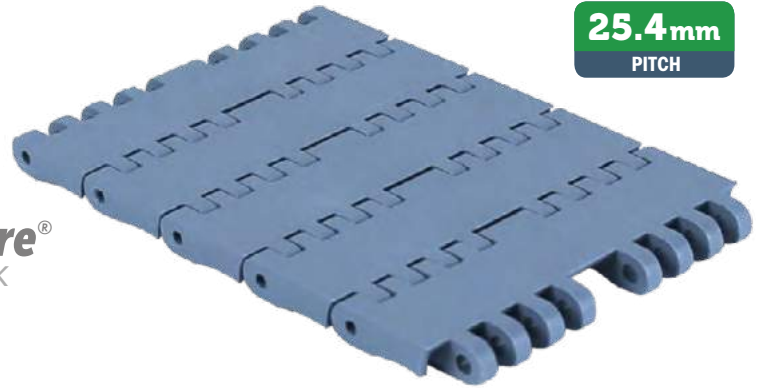
**25.4mm**  
PITCH



550 PRO FT & PRO M	
SAMPLE BOX	
Art.-Nr.	5227018888A



- Easier installation
- Quicker maintenance
- 100% interchangeable



### \*Material

**LFA - Code 01**  
Low friction Acetal

Easy Delivery

Max w. load: 2300 N  
Weight: 8,5 kg/m<sup>2</sup>  
Temp. range dry: -40÷80 °C  
Temp. range wet: -40÷65 °C  
Pin material: PBT white

**MX - Code 03**  
Performance PBT

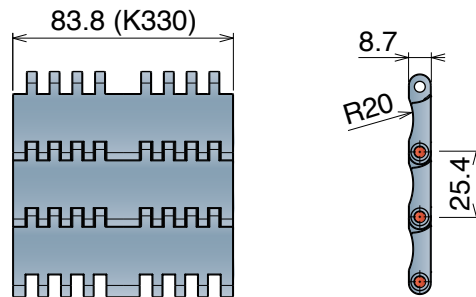
Max w. load: 1850 N  
Weight: 8,2 kg/m<sup>2</sup>  
Temp. range dry: -40÷120 °C  
Temp. range wet: -40÷60 °C  
Pin material: POM grey

**PFX - Code 30**  
Extra performance PBT

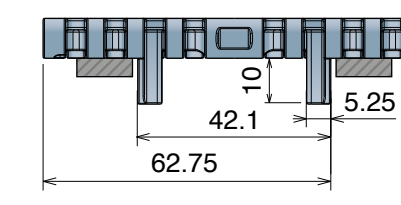
Max w. load: 1850 N  
Weight: 8,2 kg/m<sup>2</sup>  
Temp. range dry: -40÷120 °C  
Temp. range wet: -40÷60 °C  
Pin material: POM grey

**THE BEST CHOICE FOR  
DRY RUNNING APPLICATIONS**

### Version A - Standard



### Version C - With 2 Positioner



### Advantages:

- Optimized product support
- Superior flatness
- Low wear
- Bi-directional

### Version A - Standard

Series	Material	Width	Version
5227	*	9330	A

### Version C - With 2 Positioners

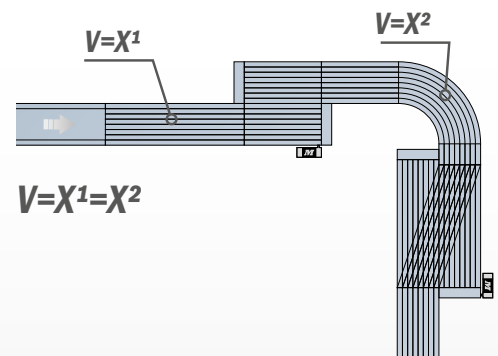
Series	Material	Width	Version
5227	*	9330	C

## 550 PRO M & 550 PRO FT

### The perfect combination

- Same height between guide and center sprockets (S Dimension)
- Same speed for curved and straight
- Unique sprocket for curved and straight

### Layout with 550 Pro M and 550 PRO FT





## 550 PRO M


Tappeto Modulare 550 PRO M, H=8,7 K330  
 Modular Belt Series 550 PRO M, H=8,7 K330 /Modulare Mattenkette 550 PRO M, H=8,7 K330

CODE STRUCTURE GUIDE (Example)

Backflex radius min.: 15 mm

<b>5228</b>	<b>30</b>	<b>9330</b>	<b>C</b>
Series	*Material	Width	Version

**25.4mm**  
PITCH

 10 feet 3.048 m	 pg. 321/322	 pg. 162	 pg. 651>661
240 links			

**MAGNETIC SYSTEM**

550 PRO FT & PRO M

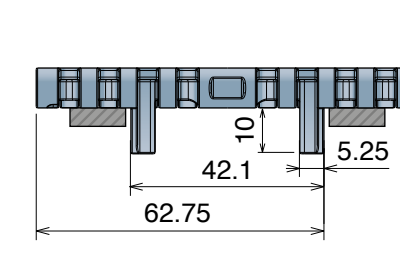
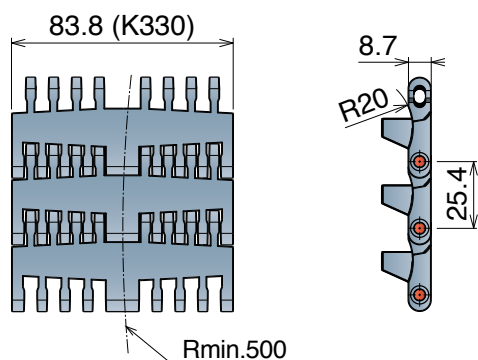
SAMPLE BOX

Art.-Nr. **5227018888A**



- Easier installation • Quicker maintenance
- 100% interchangeable

Version C - With 2 Positioner



**Advantages:**

- Optimized product support
- Superior flatness
- Low wear
- Bi-directional

Version C - With 2 Positioners

Series	Material	Width	Version
5228	*	9330	C

\*Material

**LFA - Code 01**

Low friction Acetal

Easy Delivery

Max w. load: 2500 N  
 Weight: 8,2 kg/m<sup>2</sup>  
 Temp. range dry: -40+80 °C  
 Temp. range wet: -40+65 °C  
 Pin material: Ferritic  
 Stainless Steel

**MX - Code 03**

Performance PBT

Max w. load: 2000 N  
 Weight: 8,0 kg/m<sup>2</sup>  
 Temp. range dry: -40+120 °C  
 Temp. range wet: -40+60 °C  
 Pin material: Ferritic  
 Stainless Steel

**PFX - Code 30**

Extra performance PBT

Max w. load: 2000 N  
 Weight: 8,0 kg/m<sup>2</sup>  
 Temp. range dry: -40+120 °C  
 Temp. range wet: -40+60 °C  
 Pin material: Ferritic  
 Stainless Steel

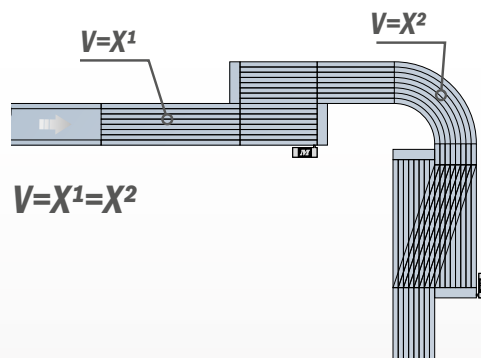
**THE BEST CHOICE FOR DRY RUNNING APPLICATIONS**

## 550 PRO M & 550 PRO FT

The perfect combination

- Same height between guide and center sprockets (S Dimension)
- Same speed for curved and straight
- Unique sprocket for curved and straight

Layout with 550 Pro M and 550 PRO FT



Metric Size

Tappeti modulari / Modular belts / Mattenketten

# 551

Pitch 25,4 mm  
H= 12,7 mm



Metric Size

- 551 FT
- 551 FTT
- 551 GT
- 551 GT *Side indent*
- 551 LBP
- 551 PRO LBP

## 551 FT

Tappeto Modulare 551 FT, H=12,7 M=85

Modular Belt Series 551 FT, H=12,7 M=85 / Modulare Mattenkette 551 FT, H=12,7 M=85

### CODE STRUCTURE GUIDE (Example)

Backflex radius min.: 25 mm

<b>5231</b>	<b>01</b>	<b>0085</b>	<b>A</b>
Series	*Material	Width	Version

**25.4mm**  
PITCH

#### \* Material

#### LFA - Code 01

Low friction Acetal

Easy Delivery

Max w. load: 41500 N/m  
Weight: 12,5 kg/m<sup>2</sup>  
Temp. range dry: -40÷80 °C  
Temp. range wet: -40÷65 °C  
Pin material: PBT white

#### PP - Code 02

Polypropylene

Max w. load: 27000 N/m  
Weight: 10,0 kg/m<sup>2</sup>  
Temp. range dry: 4÷104 °C  
Temp. range wet: 4÷104 °C  
Pin material: PP blue

#### MX - Code 03

Performance PBT

Max w. load: 33500 N/m  
Weight: 12,0 kg/m<sup>2</sup>  
Temp. range dry: -40÷120 °C  
Temp. range wet: -40÷60 °C  
Pin material: POM grey

#### DKM - Code 16

Aramid Reinforced Acetal

Max w. load: 41500 N/m  
Weight: 12,5 kg/m<sup>2</sup>  
Temp. range dry: -40÷80 °C  
Temp. range wet: -40÷65 °C  
Pin material: PBT white

#### MWX - Code 17

Polyamide Composite

Max w. load: 41500 N/m  
Weight: 13,0 kg/m<sup>2</sup>  
Temp. range dry: -40÷104 °C  
Temp. range wet: NR  
Pin material: PBT white

#### MPX - Code 25

Lubricated Acetal

Max w. load: 41500 N/m  
Weight: 12,5 kg/m<sup>2</sup>  
Temp. range dry: -40÷80 °C  
Temp. range wet: -40÷65 °C  
Pin material: PBT white

#### PFX - Code 30

Extra performance PBT

Max w. load: 33500 N/m  
Weight: 12,0 kg/m<sup>2</sup>  
Temp. range dry: -40÷120 °C  
Temp. range wet: -40÷60 °C  
Pin material: POM grey

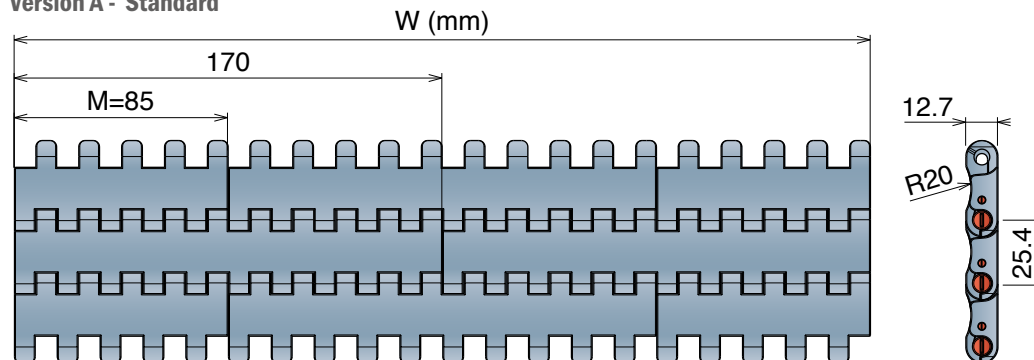
**THE BEST CHOICE FOR  
DRY RUNNING APPLICATIONS**

#### SAMPLE BOX

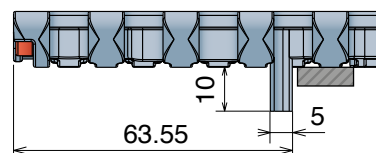
Art.-Nr. **5231018888A**



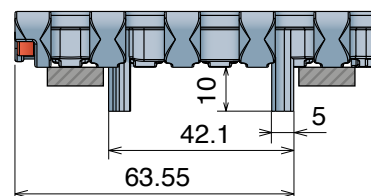
#### Version A - Standard



#### Version B - With 1 Positioner



#### Version C - With 2 Positioner



#### Version A - Standard

Series	Material	Width	Version
5231	*	0085	A
5231	*	0170	A
5231	*	0255	A
5231	*	0340	A
5231	*	0425	A
5231	*	0510	A
5231	*	0595	A
5231	*	0680	A
5231	*	0765	A
5231	*	0850	A
5231	*	0935	A
5231	*	1020	A
5231	*	1105	A
5231	*	1190	A
5231	*	1275	A
5231	*	1360	A
5231	*	1445	A
5231	*	1530	A

#### Version B - With 1 Positioner

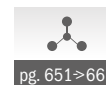
Series	Material	Width	Version
5231	*	0085	B
5231	*	0170	B
5231	*	0255	B
5231	*	0340	B
5231	*	0425	B
5231	*	0510	B
5231	*	0595	B
5231	*	0680	B
5231	*	0765	B
5231	*	0850	B
5231	*	0935	B
5231	*	1020	B
5231	*	1105	B
5231	*	1190	B
5231	*	1275	B
5231	*	1360	B
5231	*	1445	B
5231	*	1530	B

#### Version C - With 2 Positioners

Series	Material	Width	Version
5231	*	0085	C
5231	*	0170	C
5231	*	0255	C
5231	*	0340	C
5231	*	0425	C
5231	*	0510	C
5231	*	0595	C
5231	*	0680	C
5231	*	0765	C
5231	*	0850	C
5231	*	0935	C
5231	*	1020	C
5231	*	1105	C
5231	*	1190	C
5231	*	1275	C
5231	*	1360	C
5231	*	1445	C
5231	*	1530	C



pg. 323-324



pg. 651>661

# 551 FTT

Tappeti modulari / Modular belts / Mattenketten

Belts wider than standard are available with 85 mm increments

Metric Size

## 551 FTT

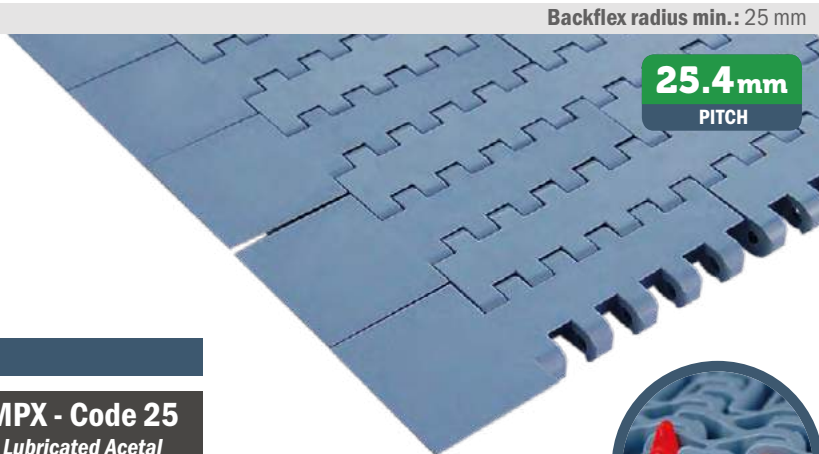
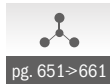
Tappeto Modulare 551 FTT, H=12,7 M=85

Modular Belt Series 551 FTT, H=12,7 M=85 / Modulare Mattenkette 551 FTT, H=12,7 M=85

CODE STRUCTURE GUIDE (Example)

Backflex radius min.: 25 mm

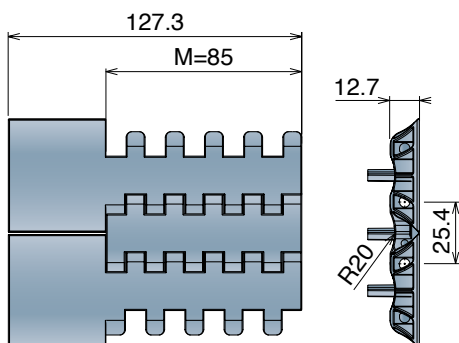
5236	01	0085	C
Series	*Material	Width	Version



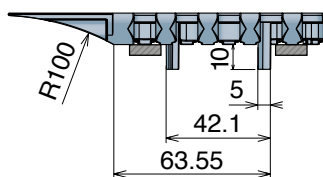
**25.4mm**  
PITCH

\*Material

LFA - Code 01 <i>Low friction Acetal</i>	MX - Code 03 <i>Performance PBT</i>	MPX - Code 25 <i>Lubricated Acetal</i>
<b>Max w. load:</b> 41500 N/m	<b>Max w. load:</b> 33500 N/m	<b>Max w. load:</b> 41500 N/m
<b>Weight:</b> 12,5 kg/m <sup>2</sup>	<b>Weight:</b> 12,0 kg/m <sup>2</sup>	<b>Weight:</b> 12,5 kg/m <sup>2</sup>
<b>Temp. range dry:</b> -40÷80 °C	<b>Temp. range dry:</b> -40÷120 °C	<b>Temp. range dry:</b> -40÷80 °C
<b>Temp. range wet:</b> -40÷65 °C	<b>Temp. range wet:</b> -40÷60 °C	<b>Temp. range wet:</b> -40÷65 °C
<b>Pin material:</b> PBT white	<b>Pin material:</b> POM grey	<b>Pin material:</b> PBT white



Version C

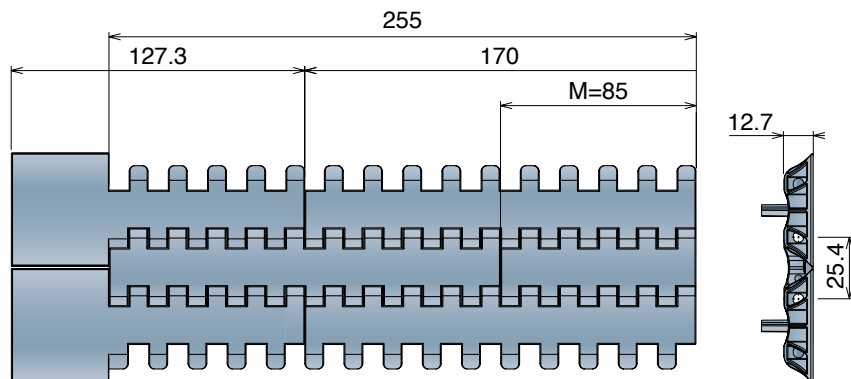


Version C

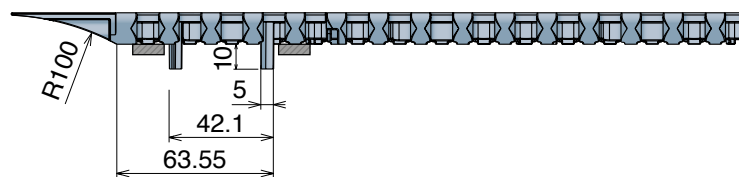
Series	Material	Width	Version
5236	*	0085	C

Max working load (N)

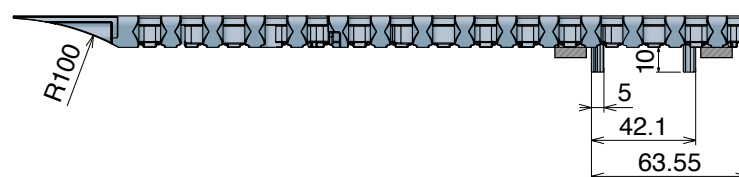
Width	85
LFA	3500
MX	2800
MPX	3500



Version CN - Near



Version C0 - Opposite



Version CN - Near

Series	Material	Width	Version
5236	*	0170	CN
5236	*	0255	CN

Version C0 - Opposite

Series	Material	Width	Version
5236	*	0170	C0
5236	*	0255	C0

Tappeti modulari / Modular belts / Mattenketten

## 551 GT

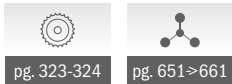
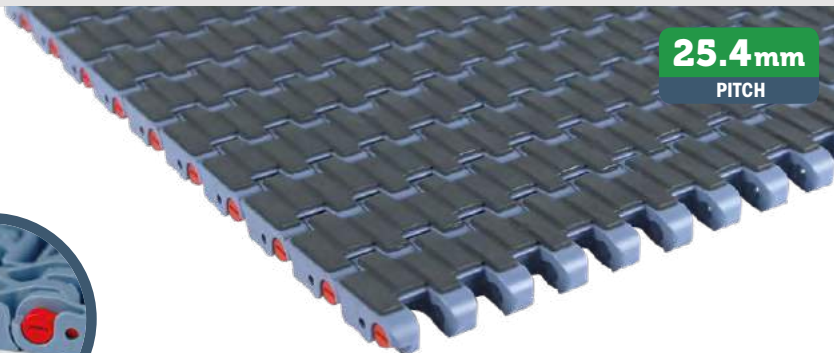
Tappeto Modulare 551 GT, H=12,7 M=85  
 Modular Belt Series 551 GT, H=12,7 M=85 / Modulare Mattenkette 551 GT, H=12,7 M=85

Metric Size

### CODE STRUCTURE GUIDE (Example)

Backflex radius min.: 50 mm

<b>5233</b>	<b>01</b>	<b>0085</b>	<b>A</b>
Series	*Material	Width	Version



pg. 323-324    pg. 651>661

<b>SAMPLE BOX</b>	
Art.-Nr.	<b>5233018888A</b>



### \*Material

#### LFA - Code 01

Low friction Acetal

Easy Delivery

Max w. load: 41500 N/m  
 Weight: 13,5 kg/m<sup>2</sup>  
 Temp. range dry: -40÷80 °C  
 Temp. range wet: -40÷65 °C  
 Pin material: PBT white  
 Top rubber: 50 ShA-Dark grey

#### PP - Code 02

Polypropylene

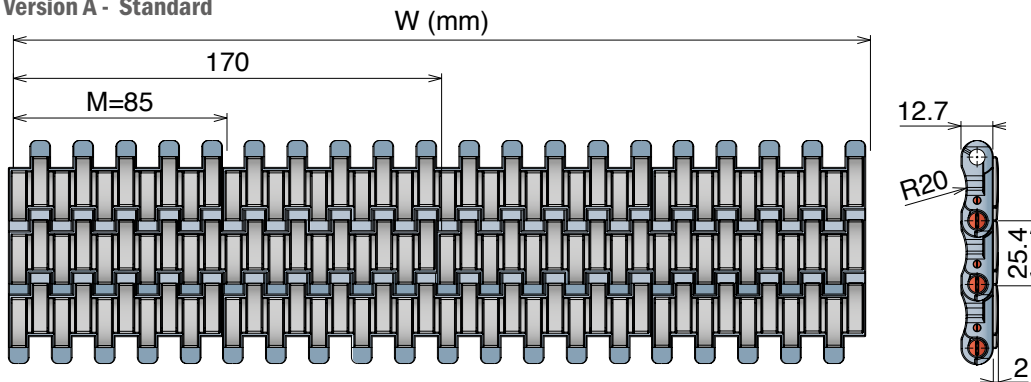
Max w. load: 27000 N/m  
 Weight: 11,0 kg/m<sup>2</sup>  
 Temp. range dry: 4÷80 °C  
 Temp. range wet: 4÷80 °C  
 Pin material: PP blue  
 Top rubber: 50 ShA-Pigeon blue

#### MX - Code 03

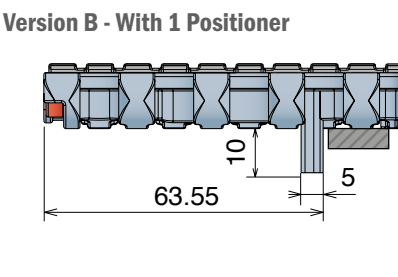
Performance PBT

Max w. load: 33500 N/m  
 Weight: 12,7 kg/m<sup>2</sup>  
 Temp. range dry: -40÷120 °C  
 Temp. range wet: -40÷60 °C  
 Pin material: POM grey  
 Top rubber: 50 ShA-Dark grey

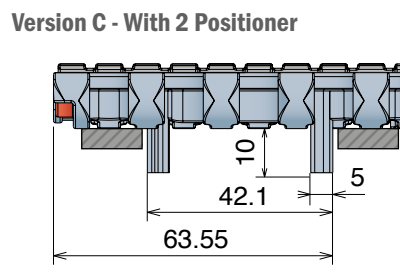
### Version A - Standard



### Version B - With 1 Positioner



### Version C - With 2 Positioners



### Version A - Standard

Series	Material	Width	Version
5233	*	0085	A
5233	*	0170	A
5233	*	0255	A
5233	*	0340	A
5233	*	0425	A
5233	*	0510	A
5233	*	0595	A
5233	*	0680	A
5233	*	0765	A
5233	*	0850	A
5233	*	0935	A
5233	*	1020	A
5233	*	1105	A
5233	*	1190	A
5233	*	1275	A
5233	*	1360	A
5233	*	1445	A
5233	*	1530	A

### Version B - With 1 Positioner

Series	Material	Width	Version
5233	*	0085	B
5233	*	0170	B
5233	*	0255	B
5233	*	0340	B
5233	*	0425	B
5233	*	0510	B
5233	*	0595	B
5233	*	0680	B
5233	*	0765	B
5233	*	0850	B
5233	*	0935	B
5233	*	1020	B
5233	*	1105	B
5233	*	1190	B
5233	*	1275	B
5233	*	1360	B
5233	*	1445	B
5233	*	1530	B

### Version C - With 2 Positioners

Series	Material	Width	Version
5233	*	0085	C
5233	*	0170	C
5233	*	0255	C
5233	*	0340	C
5233	*	0425	C
5233	*	0510	C
5233	*	0595	C
5233	*	0680	C
5233	*	0765	C
5233	*	0850	C
5233	*	0935	C
5233	*	1020	C
5233	*	1105	C
5233	*	1190	C
5233	*	1275	C
5233	*	1360	C
5233	*	1445	C
5233	*	1530	C

# 551 GT Side indent

Tappeti modulari / Modular belts / Mattenketten

Belts wider than standard are available with 85 mm increments

## 551 GT Side indent Tappeto Modulare 551 GT, H=12,7 M=85 Modular Belt Series 551 GT, H=12,7 M=85 / Modulare Mattenkette 551 GT, H=12,7 M=85

CODE STRUCTURE GUIDE (Example)

Backflex radius min.: 50 mm

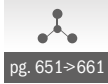
<b>5235</b>	<b>01</b>	<b>0255</b>	<b>A</b>
Series	*Material	Width	Version

**25.4mm**  
PITCH

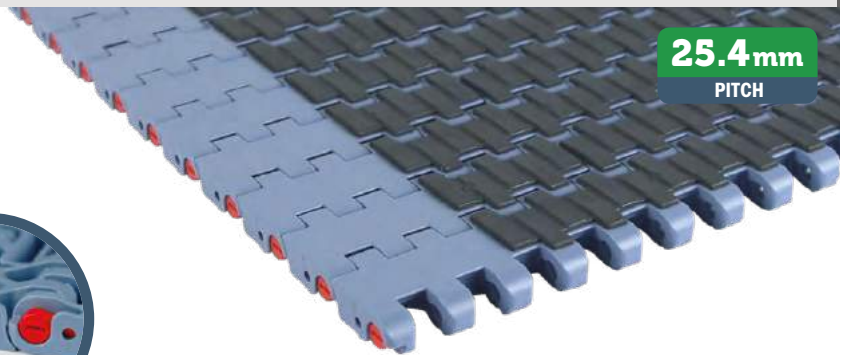
Metric Size



pg. 323-324



pg. 651>661



\*Material

### LFA - Code 01

Low friction Acetal

Easy Delivery

Max w. load: 41500 N/m  
Weight: 13,5 kg/m<sup>2</sup>  
Temp. range dry: -40+80 °C  
Temp. range wet: -40+65 °C  
Pin material: PBT white  
Top rubber: 50 ShA-Dark grey

### PP - Code 02

Polypropylene

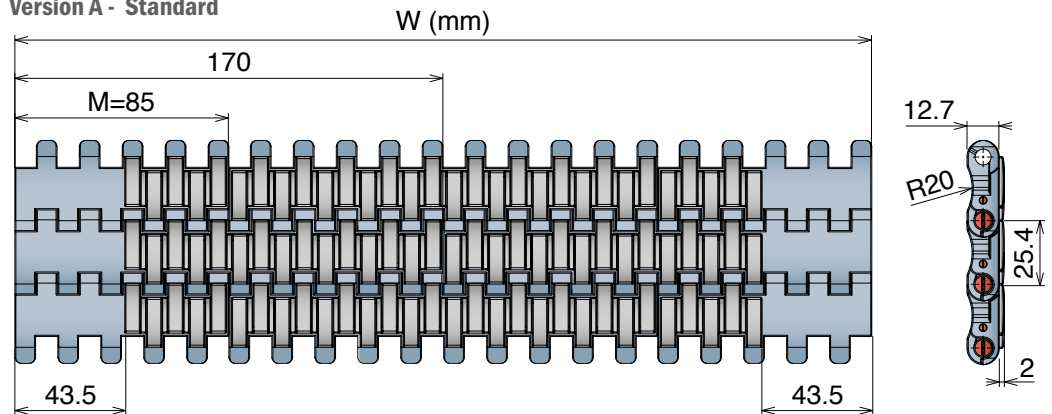
Max w. load: 27000 N/m  
Weight: 11,0 kg/m<sup>2</sup>  
Temp. range dry: 4+80 °C  
Temp. range wet: 4+80 °C  
Pin material: PP blue  
Top rubber: 50 ShA-Pigeon blue

### MX - Code 03

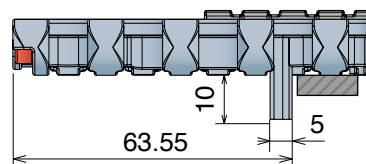
Performance PBT

Max w. load: 33500 N/m  
Weight: 12,7 kg/m<sup>2</sup>  
Temp. range dry: -40+120 °C  
Temp. range wet: -40+60 °C  
Pin material: POM grey  
Top rubber: 50 ShA-Dark grey

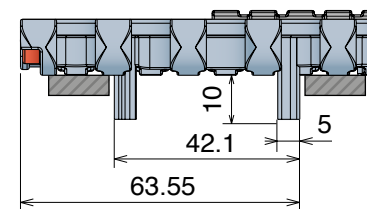
Version A - Standard



Version B - With 1 Positioner



Version C - With 2 Positioner



Version A - Standard

Series	Material	Width	Version
5235	*	0255	A
5235	*	0340	A
5235	*	0425	A
5235	*	0510	A
5235	*	0595	A
5235	*	0680	A
5235	*	0765	A
5235	*	0850	A
5235	*	0935	A
5235	*	1020	A
5235	*	1105	A
5235	*	1190	A
5235	*	1275	A
5235	*	1360	A
5235	*	1445	A
5235	*	1530	A

Version B - With 1 Positioner

Series	Material	Width	Version
5235	*	0255	B
5235	*	0340	B
5235	*	0425	B
5235	*	0510	B
5235	*	0595	B
5235	*	0680	B
5235	*	0765	B
5235	*	0850	B
5235	*	0935	B
5235	*	1020	B
5235	*	1105	B
5235	*	1190	B
5235	*	1275	B
5235	*	1360	B
5235	*	1445	B
5235	*	1530	B

Version C - With 2 Positioners

Series	Material	Width	Version
5235	*	0255	C
5235	*	0340	C
5235	*	0425	C
5235	*	0510	C
5235	*	0595	C
5235	*	0680	C
5235	*	0765	C
5235	*	0850	C
5235	*	0935	C
5235	*	1020	C
5235	*	1105	C
5235	*	1190	C
5235	*	1275	C
5235	*	1360	C
5235	*	1445	C
5235	*	1530	C

## 551 LBP

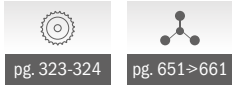
Tappeto Modulare 551 LBP, H=12,7 M=85  
 Modular Belt Series 551 LBP, H=12,7 M=85 / Modulare Mattenkette 551 LBP, H=12,7 M=85

Metric Size

CODE STRUCTURE GUIDE (Example)			
5234	01	0085	A
Series	*Material	Width	Version

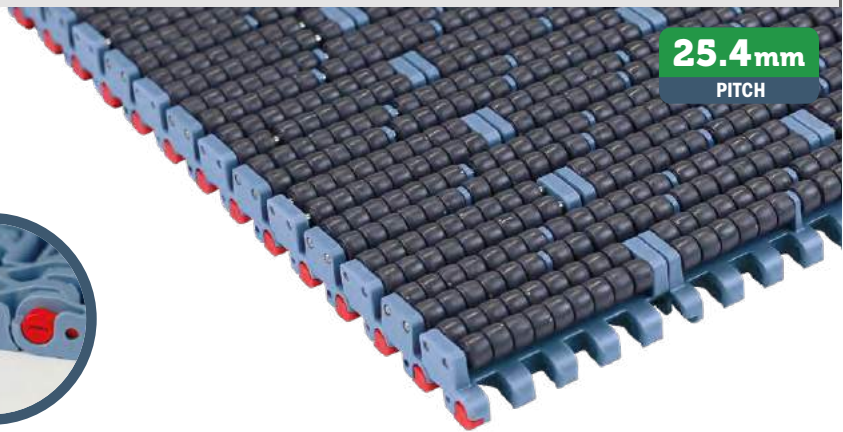
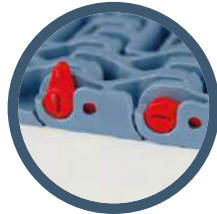
Backflex radius min.: 120 mm

**25.4mm**  
PITCH



pg. 323-324 pg. 651>661

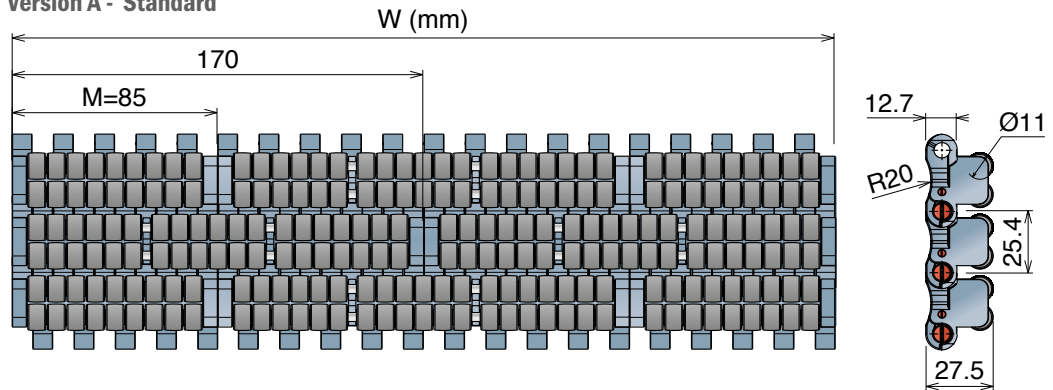
SAMPLE BOX	
Art.-Nr.	5234018888A



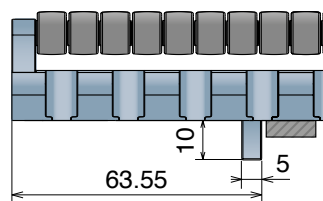
Material
<b>LFA - Code 01</b> Low friction Acetal

Max w. load: 41500 N/m  
 Weight: 26,9 kg/m<sup>2</sup>  
 Temp. range dry: -40÷80 °C  
 Temp. range wet: -40÷65 °C  
 Pin material: PBT white

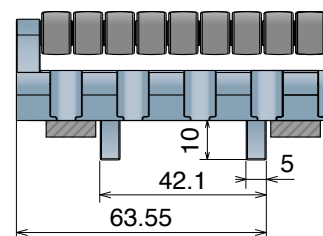
Version A - Standard



Version B - With 1 Positioner



Version C - With 2 Positioners



Version A - Standard

Series	Material	Width	Version
5234	01	0085	A
5234	01	0170	A
5234	01	0255	A
5234	01	0340	A
5234	01	0425	A
5234	01	0510	A
5234	01	0595	A
5234	01	0680	A
5234	01	0765	A
5234	01	0850	A
5234	01	0935	A
5234	01	1020	A
5234	01	1105	A
5234	01	1190	A
5234	01	1275	A
5234	01	1360	A
5234	01	1445	A
5234	01	1530	A

Version B - With 1 Positioner

Series	Material	Width	Version
5234	01	0085	B
5234	01	0170	B
5234	01	0255	B
5234	01	0340	B
5234	01	0425	B
5234	01	0510	B
5234	01	0595	B
5234	01	0680	B
5234	01	0765	B
5234	01	0850	B
5234	01	0935	B
5234	01	1020	B
5234	01	1105	B
5234	01	1190	B
5234	01	1275	B
5234	01	1360	B
5234	01	1445	B
5234	01	1530	B

Version C - With 2 Positioners

Series	Material	Width	Version
5234	01	0085	C
5234	01	0170	C
5234	01	0255	C
5234	01	0340	C
5234	01	0425	C
5234	01	0510	C
5234	01	0595	C
5234	01	0680	C
5234	01	0765	C
5234	01	0850	C
5234	01	0935	C
5234	01	1020	C
5234	01	1105	C
5234	01	1190	C
5234	01	1275	C
5234	01	1360	C
5234	01	1445	C
5234	01	1530	C

## 551 PRO LBP

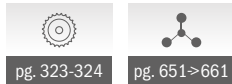
Tappeto Modulare 551 PRO LBP, H=12,7 M=85

Modular Belt Series 551 PRO LBP, H=12,7 M=85 / Modulare Mattenkette 551 PRO LBP, H=12,7 M=85

### CODE STRUCTURE GUIDE (Example)

Backflex radius min.: 100 mm

<b>5240</b>	<b>01</b>	<b>0085</b>	<b>A</b>
Series	*Material	Width	Version



### SAMPLE BOX

Art.-Nr. **524001888A**



**25.4 mm**  
PITCH

Metric Size

### Material

#### LFA - Code 01

Low friction Acetal

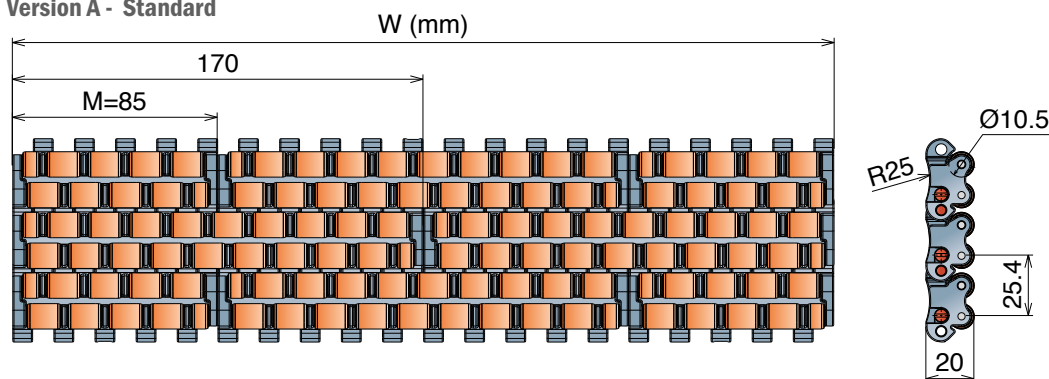
Easy Delivery

Max w. load: 41500 N/m  
 Weight SS pin: 13,8 kg/m<sup>2</sup>  
 Weight Plastic pin: 11,0 kg/m<sup>2</sup>  
 Temp. range dry: -40+80 °C  
 Temp. range wet: -40+65 °C  
 Pin material: PBT white

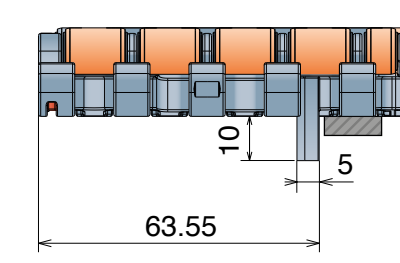
### PFX Roller

**THE BEST CHOICE TO REACH  
THE LOWEST FRICTION**

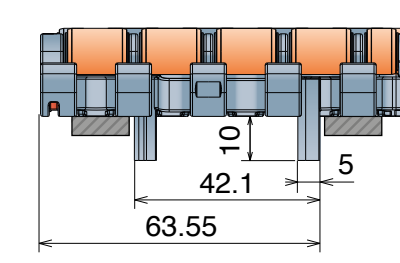
### Version A - Standard



### Version B - With 1 Positioner



### Version C - With 2 Positioner



### Stainless steel Pin

Series	Material	Width	Version
5239	01	0085	*
5239	01	0170	*
5239	01	0255	*
5239	01	0340	*
5239	01	0425	*
5239	01	0510	*
5239	01	0595	*
5239	01	0680	*
5239	01	0765	*
5239	01	0850	*
5239	01	0935	*
5239	01	1020	*
5239	01	1105	*
5239	01	1190	*
5239	01	1275	*
5239	01	1360	*
5239	01	1445	*
5239	01	1530	*

### Plastic Pin

Series	Material	Width	Version
5240	01	0085	*
5240	01	0170	*
5240	01	0255	*
5240	01	0340	*
5240	01	0425	*
5240	01	0510	*
5240	01	0595	*
5240	01	0680	*
5240	01	0765	*
5240	01	0850	*
5240	01	0935	*
5240	01	1020	*
5240	01	1105	*
5240	01	1190	*
5240	01	1275	*
5240	01	1360	*
5240	01	1445	*
5240	01	1530	*

### \*Version

Standard	Add A
With 1 Positioner	Add B
With 2 Positioners	Add C



# 552

Pitch 25,4 mm

H= 12,7 mm



552 FT

552 FT *One track Belt*

552 FTT

552 PT

552 PT *One track Belt*

552 GT

552 GT *Side indent*

## 552 FT

Tappeto Modulare 552 FT, H=12,7 M=3"  
Modular Belt Series 552 FT, H=12,7 M=3" / Modulare Mattenkette 552 FT, H=12,7 M=3"

### CODE STRUCTURE GUIDE (Example)

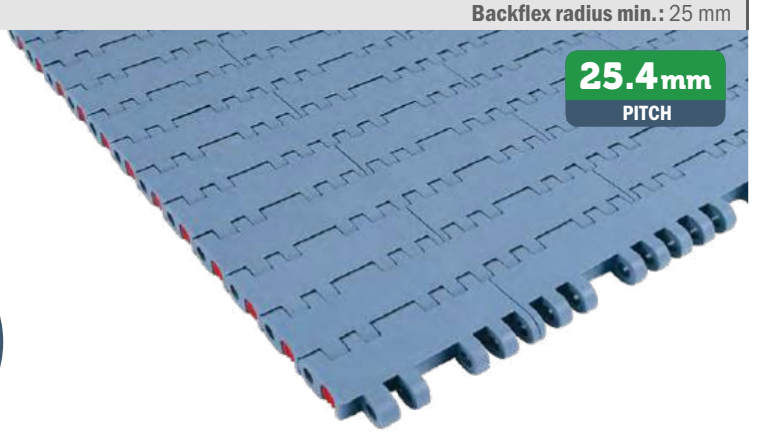
Backflex radius min.: 25 mm

<b>5341</b>	<b>01</b>	<b>0009</b>	<b>A</b>
Series	*Material	Width	Version

	
pg. 325	pg. 651>661

### SAMPLE BOX

Art.-Nr. **5341018889A**



### \*Material

#### LFA - Code 01

Low friction Acetal

#### Easy Delivery

**Max w. load:** 41500 N/m  
**Weight:** 13,5 kg/m<sup>2</sup>  
**Temp. range dry:** -40+80 °C  
**Temp. range wet:** -40+65 °C  
**Pin material:** PBT white

#### MX - Code 03

Performance PBT

**Max w. load:** 33500 N/m  
**Weight:** 13,0 kg/m<sup>2</sup>  
**Temp. range dry:** -40+120 °C  
**Temp. range wet:** -40+60 °C  
**Pin material:** POM grey

#### MWX - Code 17

Polyamide Composite

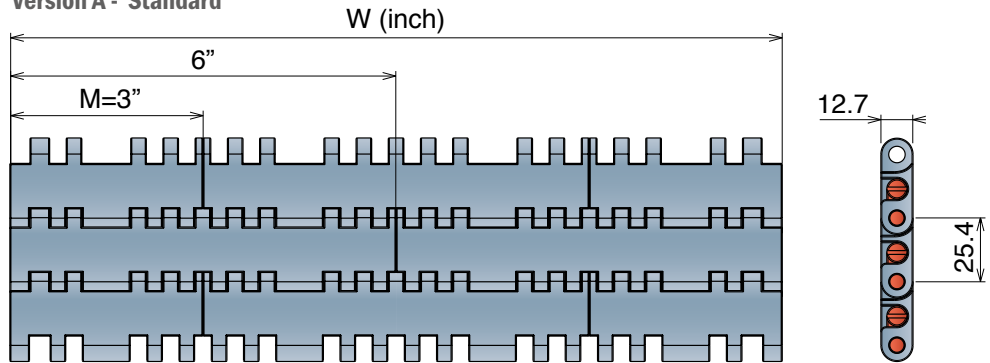
**Max w. load:** 41500 N/m  
**Weight:** 14,0 kg/m<sup>2</sup>  
**Temp. range dry:** -40+104 °C  
**Temp. range wet:** NR  
**Pin material:** PBT white

#### MPX - Code 25

Lubricated Acetal

**Max w. load:** 41500 N/m  
**Weight:** 13,5 kg/m<sup>2</sup>  
**Temp. range dry:** -40+80 °C  
**Temp. range wet:** -40+65 °C  
**Pin material:** PBT white

### Version A - Standard



### Version A - Standard

Series	Material	Width	Version
5341	*	0009	A
5341	*	0012	A
5341	*	0015	A
5341	*	0018	A
5341	*	0021	A
5341	*	0024	A
5341	*	0027	A
5341	*	0030	A
5341	*	0033	A
5341	*	0036	A
5341	*	0039	A
5341	*	0042	A
5341	*	0045	A
5341	*	0048	A
5341	*	0051	A
5341	*	0054	A

## 552 FT One track Belt

Tappeto Modulare 552 FT, H=12,7  
Modular Belt Series 552 FT, H=12,7 / Modulare Mattenkette 552 FT, H=12,7

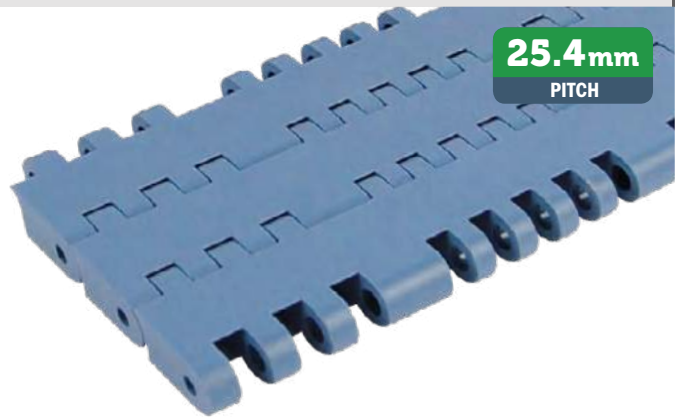
Imperial Size

### CODE STRUCTURE GUIDE (Example)

Backflex radius min.: 25 mm

<b>5341</b>	<b>01</b>	<b>0003</b>	<b>A</b>
Series	*Material	Width	Version

**25.4mm**  
PITCH



pg. 325	pg. 651>661



### \*Material

#### LFA - Code 01

Low friction Acetal

Easy Delivery

**Max w. load:** See below  
**Weight:** 13,5 kg/m<sup>2</sup>  
**Temp. range dry:** -40+80 °C  
**Temp. range wet:** -40+65 °C  
**Pin material:** PBT white

#### MX - Code 03

Performance PBT

**Max w. load:** See below  
**Weight:** 13,0 kg/m<sup>2</sup>  
**Temp. range dry:** -40+120 °C  
**Temp. range wet:** -40+60 °C  
**Pin material:** POM grey

#### MWX - Code 17

Polyamide Composite

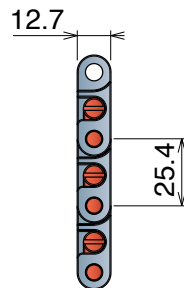
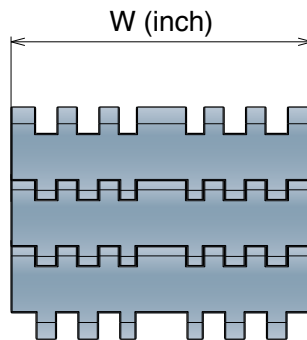
**Max w. load:** See below  
**Weight:** 14,0 kg/m<sup>2</sup>  
**Temp. range dry:** -40+104 °C  
**Temp. range wet:** NR  
**Pin material:** PBT white

#### MPX - Code 25

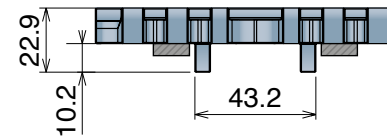
Lubricated Acetal

**Max w. load:** See below  
**Weight:** 13,5 kg/m<sup>2</sup>  
**Temp. range dry:** -40+80 °C  
**Temp. range wet:** -40+65 °C  
**Pin material:** PBT white

### Version A - Standard



### Version C - With 2 Positioner



### K300 - One track belt



Series	Material	Width	Version
5341	*	0003	A
5341	*	0003	C

### K325 - One track belt



Series	Material	Width	Version
5341	*	9325	A
5341	*	9325	C

### K450 - One track belt



Series	Material	Width	Version
5341	*	9450	A
5341	*	9450	C

### Max working load (N)

Width	K300	K325	K450
LFA	3200	3400	4800
MX	2500	2800	3800
MWX	3200	3400	4800
MPX	3200	3400	4800

Width	K600	K750
LFA	6200	7900
MX	5100	6400
MWX	6200	7900
MPX	6200	7900

### K600 - One track belt



Series	Material	Width	Version
5341	*	0006	A
5341	*	0006	C

### K750 - One track belt



Series	Material	Width	Version
5341	*	9750	A
5341	*	9750	C

## 552 FTT



Tappeto Modulare 552 FTT, H=12,7  
Modular Belt Series 552 FTT, H=12,7 / Modulare Mattenkette 552 FTT, H=12,7

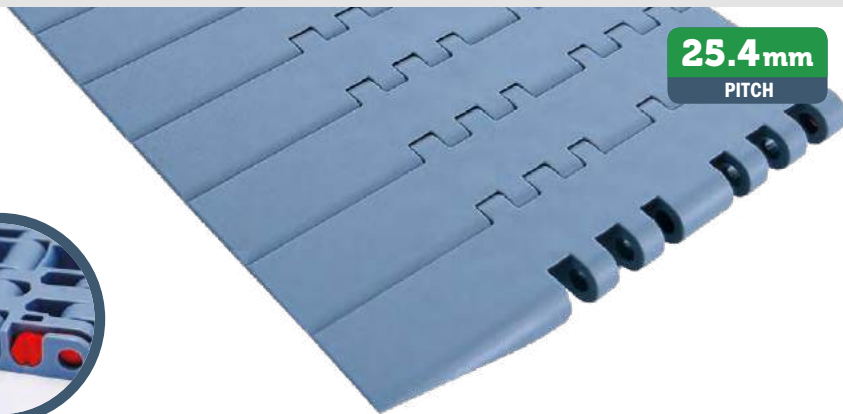
CODE STRUCTURE GUIDE (Example)

Backflex radius min.: 25 mm

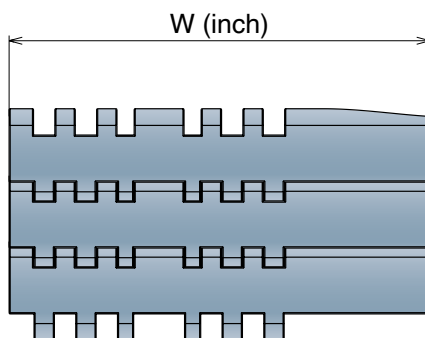
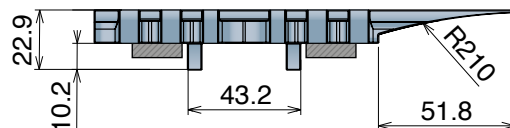
<b>5346</b>	<b>01</b>	<b>9450</b>	<b>C-R</b>
Series	*Material	Width	Version

**25.4 mm**  
PITCH

	
pg. 325	pg. 651>661

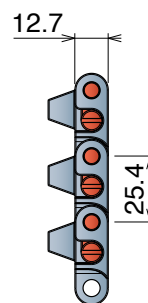


### 552 FTT - DX Version



### K450 / K750

Series	Material	Width	Version	Total width
5346	*	9450	C - R	160.3
5346	*	9750	C - R	237.4



#### \*Material

#### LFA - Code 01

Low friction Acetal

Max w. load: See below  
Weight: 13,5 kg/m<sup>2</sup>  
Temp. range dry: -40÷80 °C  
Temp. range wet: -40÷65 °C  
Pin material: PBT white

#### MX - Code 03

Performance PBT

Max w. load: See below  
Weight: 13,0 kg/m<sup>2</sup>  
Temp. range dry: -40÷120 °C  
Temp. range wet: -40÷60 °C  
Pin material: POM grey

#### MWX - Code 17

Polyamide Composite

Max w. load: See below  
Weight: 14,0 kg/m<sup>2</sup>  
Temp. range dry: -40÷104 °C  
Temp. range wet: NR  
Pin material: PBT white

#### MPX - Code 25

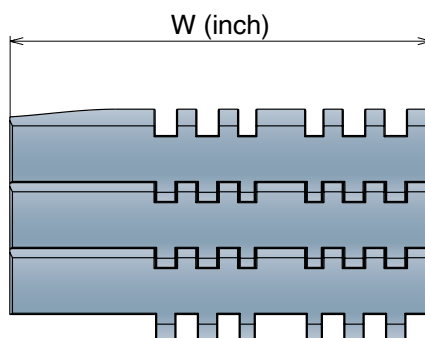
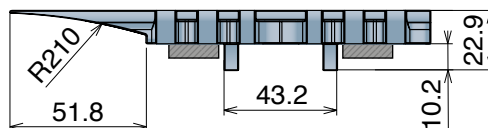
Lubricated Acetal

Max w. load: See below  
Weight: 13,5 kg/m<sup>2</sup>  
Temp. range dry: -40÷80 °C  
Temp. range wet: -40÷65 °C  
Pin material: PBT white

#### Max working load (N)

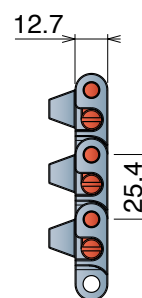
Width	450	750
LFA	4800	7900
MX	3800	6400
MWX	4800	7900
MPX	4800	7900

### 552 FTT - SX Version



### K450 / K750

Series	Material	Width	Version	Total width
5346	*	9450	C - L	160.3
5346	*	9750	C - L	237.4



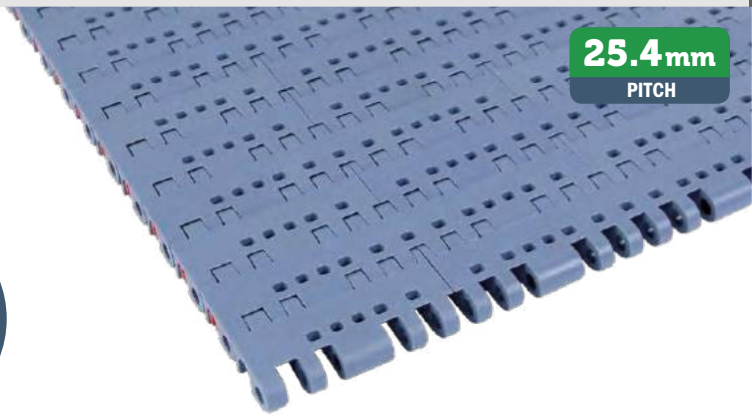
## 552 PT Open Surface 8% Tappeto Modulare 552 PT, H=12,7 M=3"

Modular Belt Series 552 PT, H=12,7 M=3" / Modulare Mattenkette 552 PT, H=12,7 M=3"

Imperial Size

CODE STRUCTURE GUIDE (Example)			
<b>5342</b>	<b>01</b>	<b>0009</b>	<b>A</b>
Series	*Material	Width	Version

Backflex radius min.: 25 mm



**25.4mm**  
PITCH



pg. 325

pg. 651>661

### SAMPLE BOX

Art.-Nr. **5342018888A**



#### \*Material

#### LFA - Code 01

Low friction Acetal

**Max w. load:** 41500 N/m  
**Weight:** 13,2 kg/m<sup>2</sup>  
**Temp. range dry:** -40÷80 °C  
**Temp. range wet:** -40÷65 °C  
**Pin material:** PBT white

#### MX - Code 03

Performance PBT

**Max w. load:** 33500 N/m  
**Weight:** 12,7 kg/m<sup>2</sup>  
**Temp. range dry:** -40÷120 °C  
**Temp. range wet:** -40÷60 °C  
**Pin material:** POM grey

#### MWX - Code 17

Polyamide Composite

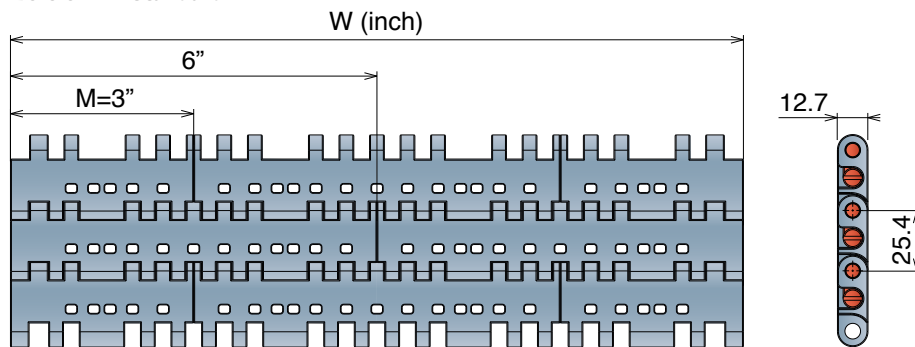
**Max w. load:** 41500 N/m  
**Weight:** 13,7 kg/m<sup>2</sup>  
**Temp. range dry:** -40÷104 °C  
**Temp. range wet:** NR  
**Pin material:** PBT white

#### MPX - Code 25

Lubricated Acetal

**Max w. load:** 41500 N/m  
**Weight:** 13,2 kg/m<sup>2</sup>  
**Temp. range dry:** -40÷80 °C  
**Temp. range wet:** -40÷65 °C  
**Pin material:** PBT white

#### Version A - Standard



#### Version A - Standard

Series	Material	Width	Version
5342	*	0009	A
5342	*	0012	A
5342	*	0015	A
5342	*	0018	A
5342	*	0021	A
5342	*	0024	A
5342	*	0027	A
5342	*	0030	A
5342	*	0033	A
5342	*	0036	A
5342	*	0039	A
5342	*	0042	A
5342	*	0045	A
5342	*	0048	A
5342	*	0051	A
5342	*	0054	A

# 552 PT One track Belt

Tappeti modulari / Modular belts / Mattenketten

Imperial Size



## 552 PT One track Belt Open Surface 8% Tappeto Modulare 552 PT, H=12,7 M=3" Modular Belt Series 552 PT, H=12,7 M=3" / Modulare Mattenkette 552 PT, H=12,7 M=3"

CODE STRUCTURE GUIDE (Example)

Backflex radius min.: 25 mm

<b>5342</b>	<b>01</b>	<b>0003</b>	<b>A</b>
Series	*Material	Width	Version

**25.4mm**  
PITCH

	
pg. 325	pg. 651>661



### \*Material

#### LFA - Code 01

Low friction Acetal

**Max w. load:** See below  
**Weight:** 13,2 kg/m<sup>2</sup>  
**Temp. range dry:** -40+80 °C  
**Temp. range wet:** -40+65 °C  
**Pin material:** PBT white

#### MX - Code 03

Performance PBT

**Max w. load:** See below  
**Weight:** 12,7 kg/m<sup>2</sup>  
**Temp. range dry:** -40+120 °C  
**Temp. range wet:** -40+60 °C  
**Pin material:** POM grey

#### MWX - Code 17

Polyamide Composite

**Max w. load:** See below  
**Weight:** 13,7 kg/m<sup>2</sup>  
**Temp. range dry:** -40+104 °C  
**Temp. range wet:** NR  
**Pin material:** PBT white

#### MPX - Code 25

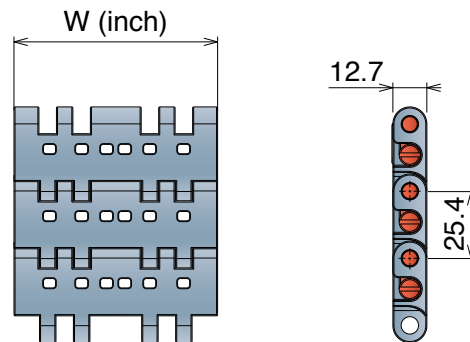
Lubricated Acetal

**Max w. load:** See below  
**Weight:** 13,2 kg/m<sup>2</sup>  
**Temp. range dry:** -40+80 °C  
**Temp. range wet:** -40+65 °C  
**Pin material:** PBT white

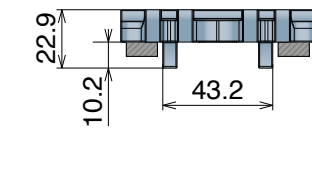
### Max working load (N)

Width	300	600
LFA	3200	6300
MX	2500	5100
MWX	3200	6300
MPX	3200	6300

### Version A - Standard



### Version C - With 2 Positioner



### Version A - Standard

Series	Material	Width	Version
5342	*	0003	A
5342	*	0006	A

### Version C - With 2 Positioners

Series	Material	Width	Version
5342	*	0003	C
5342	*	0006	C

Tappeti modulari / Modular belts / Mattenketten

## 552 GT

Tappeto Modulare 552 GT, H=12,7 M=3"  
Modular Belt Series 552 GT, H=12,7 M=3" / Modulare Mattenkette 552 GT, H=12,7 M=3"

### CODE STRUCTURE GUIDE (Example)

Backflex radius min.: 25 mm

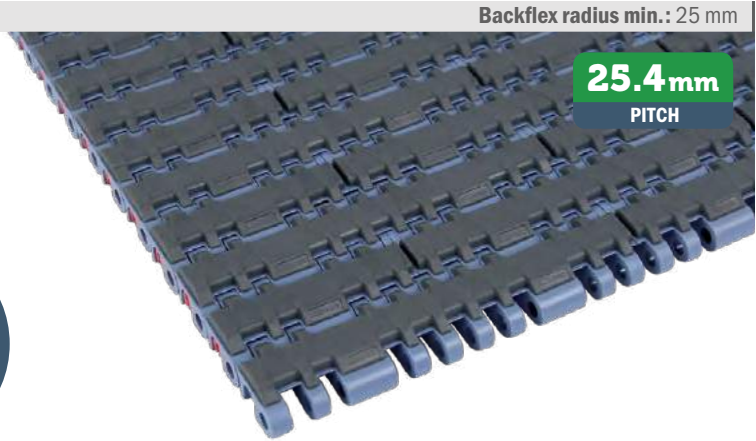
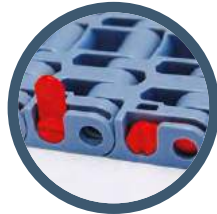
<b>5343</b>	<b>01</b>	<b>0009</b>	<b>A</b>
Series	*Material	Width	Version

**25.4mm**  
PITCH



pg. 325

pg. 651>661



Imperial Size

### \*Material

#### LFA - Code 01

Low friction Acetal

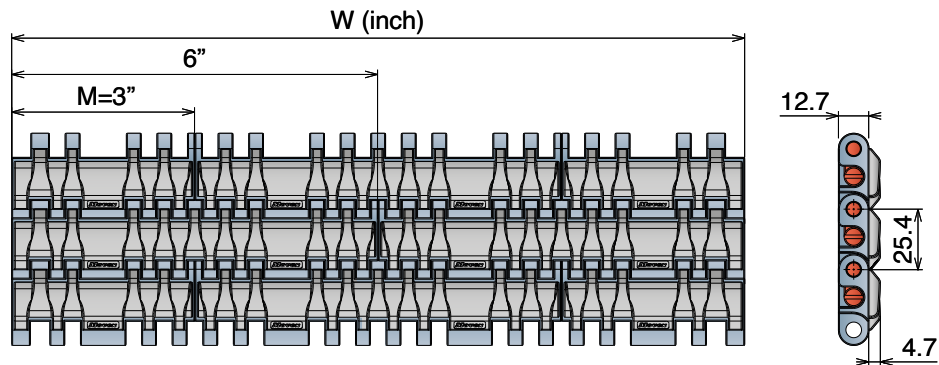
**Max w. load:** 41500 N/m  
**Weight:** 15,5 kg/m<sup>2</sup>  
**Temp. range dry:** -40÷80 °C  
**Temp. range wet:** -40÷65 °C  
**Pin material:** PBT white  
**Top rubber:** 50 Sha-Dark grey

#### PP - Code 02

Polypropylene

**Max w. load:** 27000 N/m  
**Weight:** 13,5 kg/m<sup>2</sup>  
**Temp. range dry:** 4÷80 °C  
**Temp. range wet:** 4÷80 °C  
**Pin material:** PP blue  
**Top rubber:** 50 Sha-Black

### Version A - Standard



### Version A - Standard

Series	Material	Width	Version
5343	*	0009	A
5343	*	0012	A
5343	*	0015	A
5343	*	0018	A
5343	*	0021	A
5343	*	0024	A
5343	*	0027	A
5343	*	0030	A
5343	*	0033	A
5343	*	0036	A
5343	*	0039	A
5343	*	0042	A
5343	*	0045	A
5343	*	0048	A
5343	*	0051	A
5343	*	0054	A



Rubber Thickness 4.7 mm

# 552 GT Side indent

Tappeti modulari / Modular belts / Mattenketten

Belts wider than standard are available with 3 inch increments

## 552 GT Side indent Tappeto Modulare 552 GT SI, H=12,7 M=3" / Modular Belt Series 552 GT SI, H=12,7 M=3" / Modulare Mattenkette 552 GT SI, H=12,7 M=3"

CODE STRUCTURE GUIDE (Example)

Backflex radius min.: 25 mm

<b>5345</b>	<b>01</b>	<b>0009</b>	<b>A</b>
Series	*Material	Width	Version

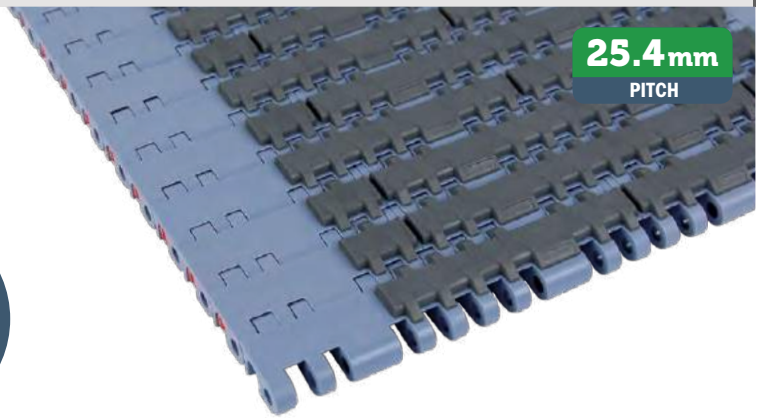
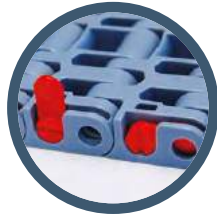
**25.4 mm**  
PITCH



pg. 325



pg. 651>661



Imperial Size

\*Material

### LFA - Code 01

Low friction Acetal

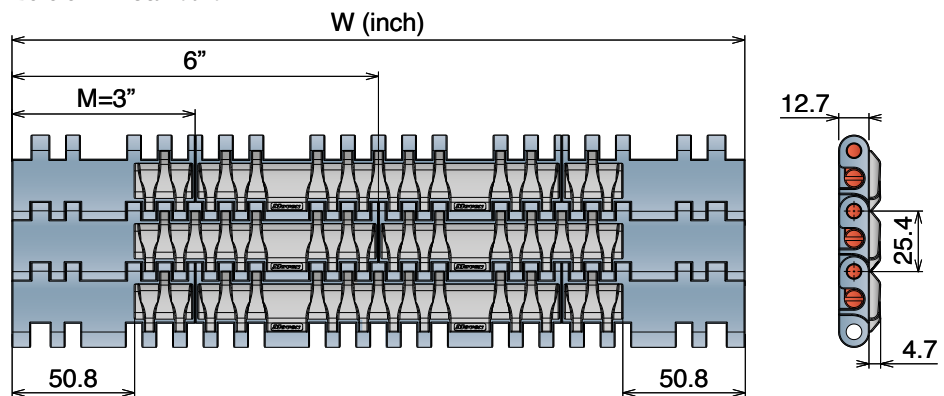
Max w. load: 41500 N/m  
Weight: 15,5 kg/m<sup>2</sup>  
Temp. range dry: -40+80 °C  
Temp. range wet: -40+65 °C  
Pin material: PBT white  
Top rubber: 50 ShA-Dark grey

### PP - Code 02

Polypropylene

Max w. load: 27000 N/m  
Weight: 13,5 kg/m<sup>2</sup>  
Temp. range dry: 4+80 °C  
Temp. range wet: 4+80 °C  
Pin material: PP blue  
Top rubber: 50 ShA-Black

### Version A - Standard



### Version A - Standard

Series	Material	Width	Version
5345	*	0009	A
5345	*	0012	A
5345	*	0015	A
5345	*	0018	A
5345	*	0021	A
5345	*	0024	A
5345	*	0027	A
5345	*	0030	A
5345	*	0033	A
5345	*	0036	A
5345	*	0039	A
5345	*	0042	A
5345	*	0045	A
5345	*	0048	A
5345	*	0051	A
5345	*	0054	A



Rubber Thickness 4.7 mm

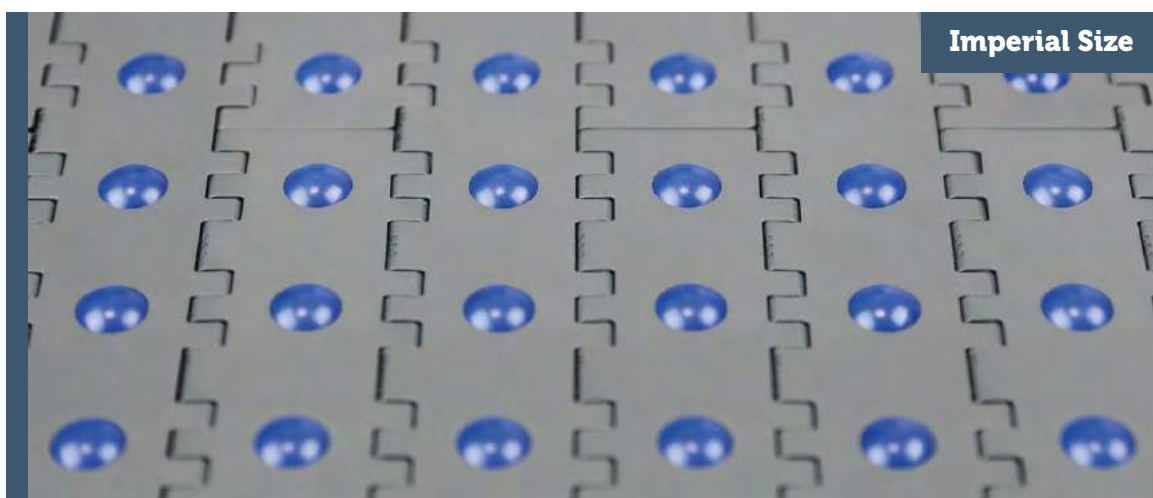
Tappeti modulari / Modular belts / Mattenketten



# 553 Series

# 553

Pitch 25,4 mm  
H= 8,7 mm



553 FLEXTOP

**Movex**<sup>®</sup>

**NEW 553 FLEX TOP** Tappeto Modulare 553 FLEXTOP, H=8,7 M=3"  
 Modular Belt Series 553 FLEXTOP, H=8,7 M=3" / Modulare Mattenkette 553 FLEXTOP, H=8,7 M=3"

Backflex radius min.: 25 mm

Imperial Size

The new **Movex® 553 FlexTop** modular belt with self-locking spheres is specifically designed for high-precision material handling, suitable for several applications like logistic centers, packaging stations (food and beverage) and corrugated industries, easily to be integrated into existing systems. The 360° movement possibility makes the belt suitable for diverting, rotation, accumulation and acceleration applications and minimize required maintenance and downtimes. The small pitch between the spheres allows every type of product transfer and is ideal for small and light packages, unlike traditional roller conveyors.

The complete closed sliding belt surface is the perfect solution to carry carton boxes, crates, cans and bottles shrink-wrap packaging and any kind of polybag with Top-Accuracy package control. **553 FlexTop is best choice for material handling applications!**

**High strength**

Design and features of 553 FlexTop make it ideal for the transport of several type of products (e.g. polybags, shrink-wrap packaging).

**Perfect product control**

The small pitch between the spheres allows for a great product-control.

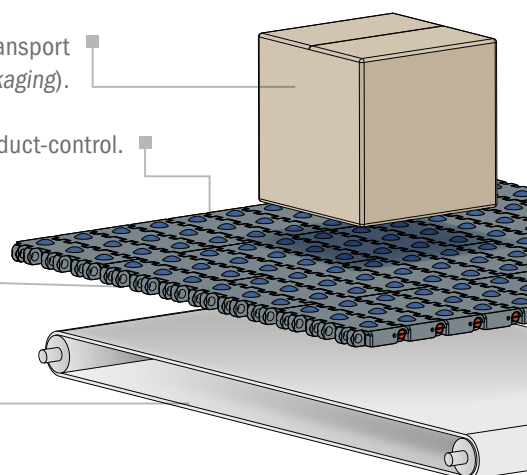
**Self cleaning**

A complete closed sliding surface, in combination with self-locking spheres, makes the belt design flexible and robust.

**Great versatility**

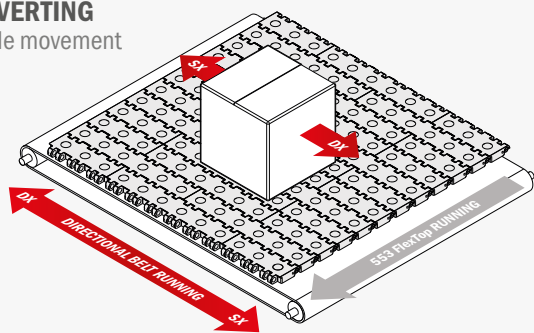
The directional belt underneath the flextop belt controls the direction and the speed of the spheres, making this belt 100% versatile.

**Long durability**



**DIVERTING**

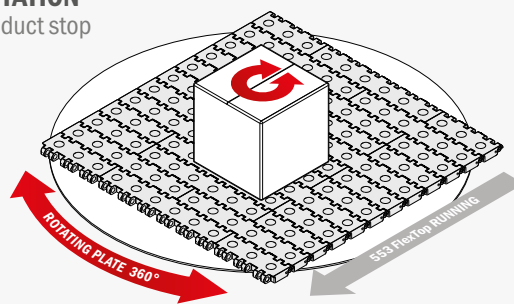
Side movement



By using a directional belt underneath the Flextop belt, running square to the travel direction, the product can be transferred left and right.

**ROTATION**

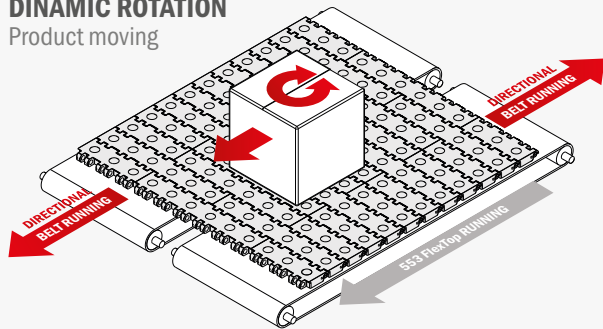
Product stop



By using a rotating plate underneath the Flextop belt, sphere can rotate by 360°. This option can be used with product stopped or running on the belt, to easily positioning the product.

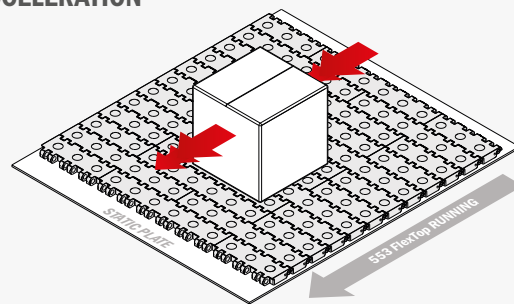
**DINAMIC ROTATION**

Product moving



By using two auxiliary belts underneath the Flextop belt, running at opposite direction, the product will start rotating. With this option the Flextop belt can keep running.

**ACCELERATION**



By using a static plate underneath the Flextop belt, spheres will start rotating independently, so the speed of the product will result double than the speed of the belt itself.

Tappeti modulari / Modular belts / Mattenketten

**PATENTED**

Belts wider than standard are available with 3 inch increments

# 553 FLEX TOP

Tappeti modulari / Modular belts / Mattenketten

**NEW**

## 553 FLEX TOP

Tappeto Modulare 553 FLEXTOP, H=8,7 M=3"

Modular Belt Series 553 FLEXTOP, H=8,7 M=3" / Modulare Mattenkette 553 FLEXTOP, H=8,7 M=3"

CODE STRUCTURE GUIDE (Example)

Backflex radius min.: 25 mm

<b>5530</b>	<b>27</b>	<b>0003</b>	<b>A</b>
Series	*Material	Width	Version

	553 Sorter +	
pg. 326	pg. 301	pg. 651>661

SAMPLE BOX

Art.-Nr. **5530278888A**



Imperial Size

\*Material

### LFG - Code 27

Low friction Acetal

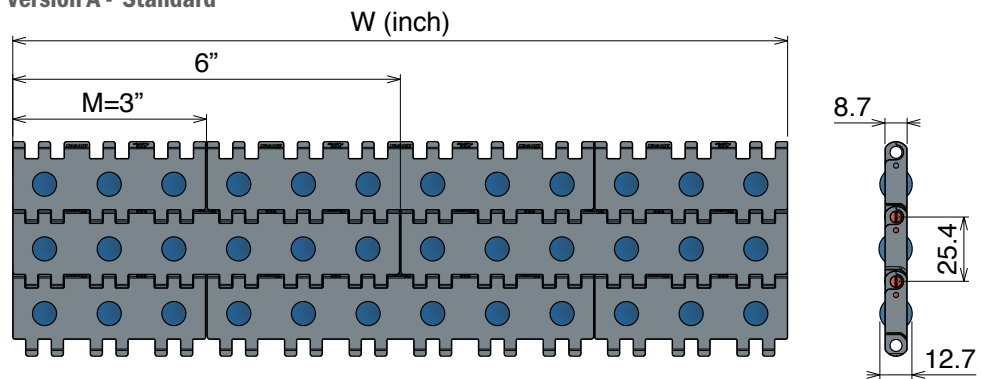
Max w. load: 27500 N/m  
 Weight: 10,0 kg/m<sup>2</sup>  
 Temp. range dry: -40÷80 °C  
 Temp. range wet: -40÷65 °C  
 Pin material: PBT white

Sphere Material

### High-tech polyamide

Max w. load: 15 N  
 Sphere diameter: 12,7 mm

Version A - Standard



Version A - Standard

Series	Material	Width	Version
5530	*	0003	A
5530	*	0006	A
5530	*	0009	A
5530	*	0012	A
5530	*	0015	A
5530	*	0018	A
5530	*	0021	A
5530	*	0024	A
5530	*	0027	A
5530	*	0030	A
5530	*	0033	A
5530	*	0036	A
5530	*	0039	A
5530	*	0042	A
5530	*	0045	A
5530	*	0048	A
5530	*	0051	A
5530	*	0054	A
5530	*	0057	A

Series	Material	Width	Version
5530	*	0060	A
5530	*	0063	A
5530	*	0066	A
5530	*	0069	A
5530	*	0072	A
5530	*	0075	A
5530	*	0078	A
5530	*	0081	A
5530	*	0084	A
5530	*	0087	A
5530	*	0090	A
5530	*	0093	A
5530	*	0096	A
5530	*	0099	A
5530	*	0102	A
5530	*	0105	A
5530	*	0108	A
5530	*	0111	A
5530	*	0114	A



 **PATENTED CLOSED GAP**

Patented closed gap helps reducing maintenance frequency and increasing productivity.

Continue >>

**556 Series**

# 556

Pitch 25,4 mm  
H= 12,7 mm



556 FT  
556 GT

**Movex<sup>®</sup>**

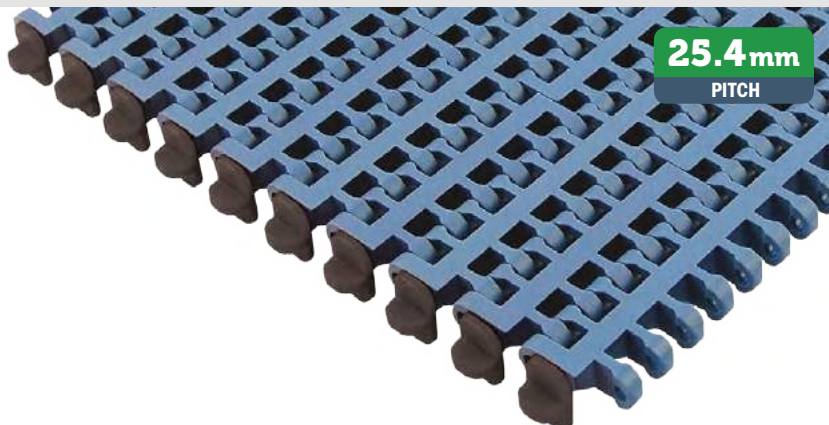
## 556 FT Open Surface 25% Tappeto Modulare Curvilineo Serie 556 FT, H=12,7 M=3"

Side Flex Modular Belt Series 556 FT, H=12,7 M=3" / Kurvengängige Mattenkette Serie 556 FT, H=12,7 M=3"

### CODE STRUCTURE GUIDE (Example)

Backflex radius min.: 25 mm

<b>5431</b>	<b>01</b>	<b>0009</b>	<b>A</b>
Series	*Material	Width	Version

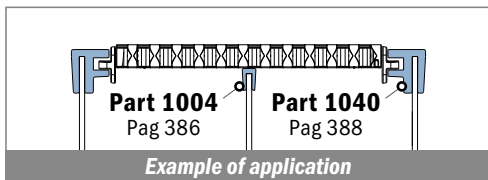


Imperial Size



pg. 327

pg. 651>661



### \*Material

#### LFA - Code 01

Low friction Acetal

#### Max w. load:

Straight: 30000 N/m

Curve: 2000 N

Weight: 7,5 kg/m<sup>2</sup>

Temp. range dry: -40÷80 °C

Temp. range wet: -40÷65 °C

Pin material: PBT white

#### LFB - Code 23

Low friction Acetal

#### Max w. load:

Straight: 30000 N/m

Curve: 2000 N

Weight: 7,5 kg/m<sup>2</sup>

Temp. range dry: -40÷80 °C

Temp. range wet: -40÷65 °C

Pin material: PBT white

#### PPB - Code 24

Polypropylene

#### Max w. load:

Straight: 19500 N/m

Curve: 1300 N

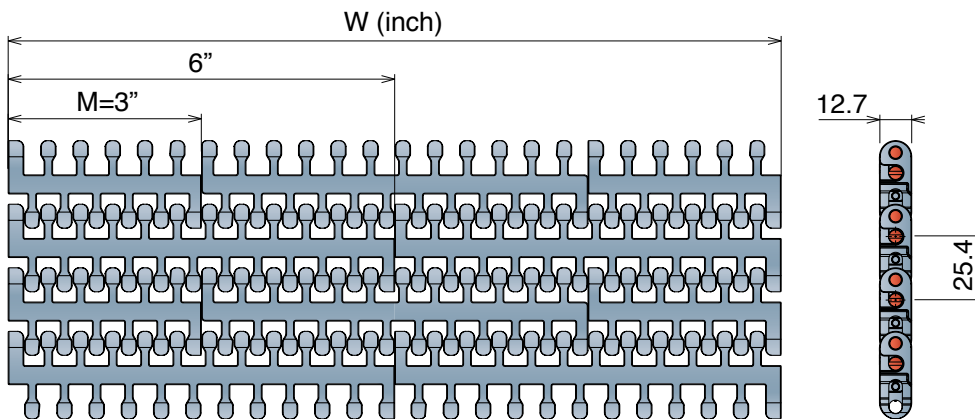
Weight: 5,8 kg/m<sup>2</sup>

Temp. range dry: 4÷104 °C

Temp. range wet: 4÷104 °C

Pin material: PP blu

**THE BEST CHOICE FOR  
FOOD CONTACT APPLICATION**

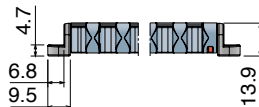


#### STANDARD



Series	Material	Width	Version	min radius
5431	*	0003	A	145
5431	*	0006	A	290
5431	*	0009	A	435
5431	*	0012	A	580
5431	*	0015	A	725
5431	*	0018	A	890
5431	*	0021	A	1040
5431	*	0024	A	1250

#### TAB



Series	Material	Width	Version	min radius
5431	*	0003	B	145
5431	*	0006	B	290
5431	*	0009	B	435
5431	*	0012	B	580
5431	*	0015	B	725
5431	*	0018	B	890
5431	*	0021	B	1040
5431	*	0024	B	1250

#### TAB/POSITIONER



Series	Material	Width	Version	min radius
5431	*	0003	C	145
5431	*	0006	C	290
5431	*	0009	C	435
5431	*	0012	C	580
5431	*	0015	C	725
5431	*	0018	C	890
5431	*	0021	C	1040
5431	*	0024	C	1250

## 556 GT Open Surface 25% Tappeto Modulare Curvilineo Serie 556 GT, H=12,7 M=3"

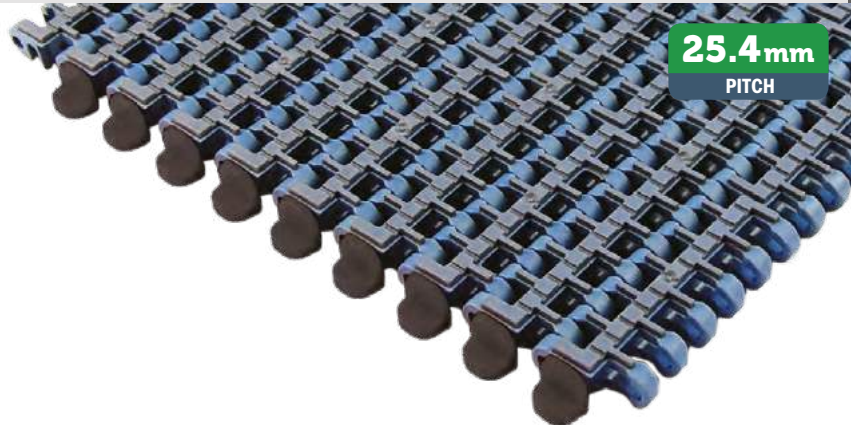
Side Flex Modular Belt Series 556 GT, H=12,7 M=3" / Kurvengängige Mattenkette Serie 556 GT, H=12,7 M=3"

CODE STRUCTURE GUIDE (Example)

Backflex radius min.: 25 mm

<b>5433</b>	<b>01</b>	<b>0009</b>	<b>A</b>
Series	*Material	Width	Version

**25.4mm**  
PITCH



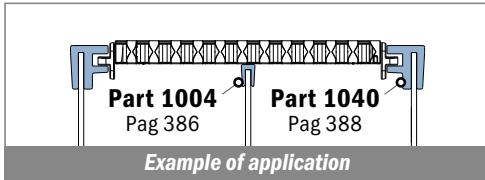
Imperial Size



pg. 327



pg. 651>661



\*Material

### LFA - Code 01

Low friction Acetal

Max w. load:

Straight: 30000 N/m

Curve: 2000 N

Weight: 7,7 kg/m<sup>2</sup>

Temp. range dry: -40÷80 °C

Temp. range wet: -40÷65 °C

Pin material: PBT white

Top rubber: 50 ShA-Dark grey

### LFB - Code 23

Low friction Acetal

Max w. load:

Straight: 30000 N/m

Curve: 2000 N

Weight: 7,7 kg/m<sup>2</sup>

Temp. range dry: -40÷80 °C

Temp. range wet: -40÷65 °C

Pin material: PBT white

Top rubber: 50 ShA-Black

### PPB - Code 24

Polypropylene

Max w. load:

Straight: 19500 N/m

Curve: 1300 N

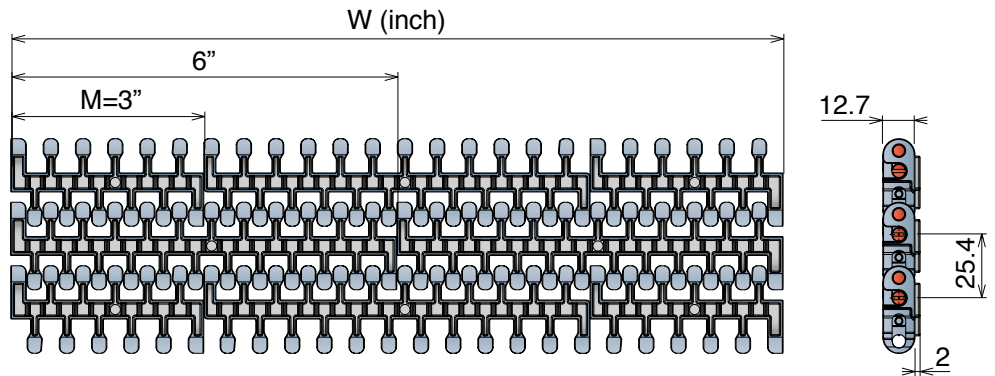
Weight: 5,8 kg/m<sup>2</sup>

Temp. range dry: 4÷104 °C

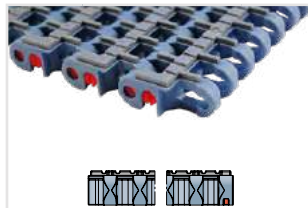
Temp. range wet: 4÷104 °C

Pin material: PP blu

Top rubber: 50 ShA-Black

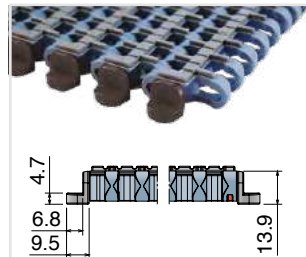


#### STANDARD



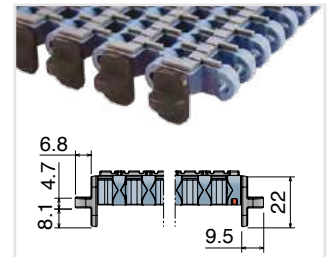
Series	Material	Width	Version	min radius
5433	*	0003	A	145
5433	*	0006	A	290
5433	*	0009	A	435
5433	*	0012	A	580
5433	*	0015	A	725
5433	*	0018	A	890
5433	*	0021	A	1040
5433	*	0024	A	1250

#### TAB



Series	Material	Width	Version	min radius
5433	*	0003	B	145
5433	*	0006	B	290
5433	*	0009	B	435
5433	*	0012	B	580
5433	*	0015	B	725
5433	*	0018	B	890
5433	*	0021	B	1040
5433	*	0024	B	1250

#### TAB/POSITIONER



Series	Material	Width	Version	min radius
5433	*	0003	C	145
5433	*	0006	C	290
5433	*	0009	C	435
5433	*	0012	C	580
5433	*	0015	C	725
5433	*	0018	C	890
5433	*	0021	C	1040
5433	*	0024	C	1250

# 600

Pitch 31,75 mm  
H= 12,7 mm



600 *Standard*

600 *Heavy duty*

600 *Heavy duty  
with Bearings*

600 *Small radius*

600 *Heavy duty/Small radius*

600 *Heavy duty/Small radius  
with Bearings*

600 *with pusher*

1047 *Heavy duty guide*

## 600 Standard

Tappeto Modulare Curvilineo Serie 600, H=12,7 M=85

Side Flex Modular Belt Series 600, H=12,7 M=85 / Kurvengängige Mattenkette Serie 600, H=12,7 M=85

CODE STRUCTURE GUIDE (Example)

Backflex radius min.: 25 mm

<b>5421</b>	<b>01</b>	<b>0255</b>	<b>A</b>
Series	*Material	Width	Version

**29.5%**  
OPEN SURFACE

**31.75 mm**  
PITCH

		
pg. 330	pg. 170/171	pg. 651-661



Metric Size

\*Material

### LFA - Code 01

Low friction Acetal

Max w. load:

Straight 30000 N/m

Curve 2500 N

Weight: 7,7 kg/m<sup>2</sup>

Temp. range dry: -40+80 °C

Temp. range wet: -40+65 °C

Pin material: PBT white

### LFB - Code 23

Low friction Acetal

Max w. load:

Straight 30000 N/m

Curve 2500 N

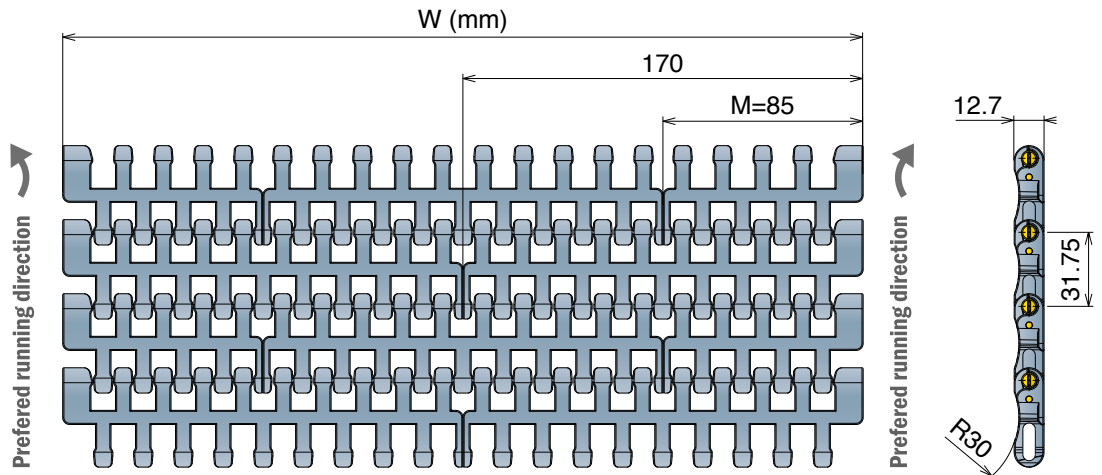
Weight: 7,7 kg/m<sup>2</sup>

Temp. range dry: -40+80 °C

Temp. range wet: -40+65 °C

Pin material: PBT white

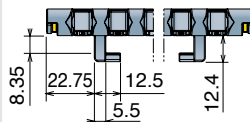
Internal Min Radius  
2 times the width



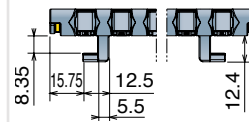
#### STANDARD



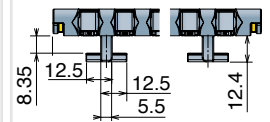
#### TAB



#### REVERSE TAB



#### TAB REVERSE TAB



Series	Material	Width	Version	min radius
5421	*	0255	A	510
5421	*	0340	A	680
5421	*	0425	A	850
5421	*	0510	A	1020
5421	*	0595	A	1190
5421	*	0680	A	1360
5421	*	0765	A	1530
5421	*	0850	A	1700
5421	*	0255	B	510
5421	*	0340	B	680
5421	*	0425	B	850
5421	*	0510	B	1020
5421	*	0595	B	1190
5421	*	0680	B	1360
5421	*	0765	B	1530
5421	*	0850	B	1700
5421	*	0255	C	510
5421	*	0340	C	680
5421	*	0425	C	850
5421	*	0510	C	1020
5421	*	0595	C	1190
5421	*	0680	C	1360
5421	*	0765	C	1530
5421	*	0850	C	1700
5421	*	0255	D	510
5421	*	0340	D	680
5421	*	0425	D	850
5421	*	0510	D	1020
5421	*	0595	D	1190
5421	*	0680	D	1360
5421	*	0765	D	1530
5421	*	0850	D	1700



## 600 Heavy duty Tappeto Modulare Curvilineo Serie 600, H=12,7 M=85 Side Flex Modular Belt Series 600, H=12,7 M=85 / Kurvengängige Mattenkette Serie 600, H=12,7 M=85

CODE STRUCTURE GUIDE (Example)

Backflex radius min.: 25 mm

5422	01	0255	E
Series	*Material	Width	Version

**27.5%**  
OPEN SURFACE

**31.75mm**  
PITCH

pg. 330	pg. 172	pg. 651>661

**RANGE EXTENSION**



Metric Size

\*Material

### LFA - Code 01

Low friction Acetal

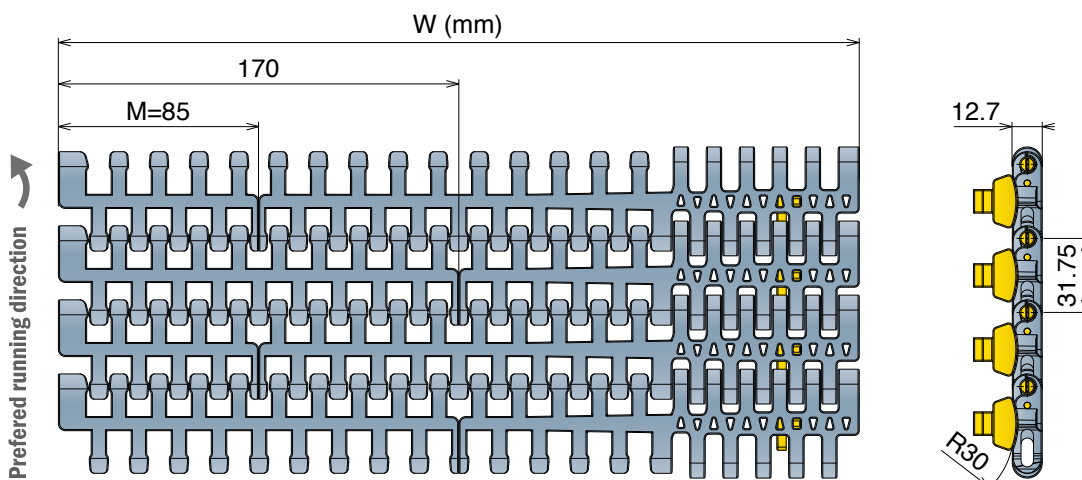
**Max w. load:**  
Straight 30000 N/m  
Curve 3500 N  
**Weight:** 8,3 kg/m<sup>2</sup>  
**Temp. range dry:** -40÷80 °C  
**Temp. range wet:** -40÷65 °C  
**Pin material:** PBT white

### LFB - Code 23

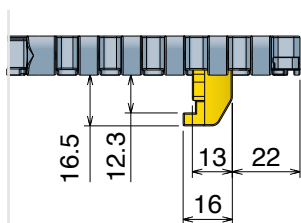
Low friction Acetal

**Max w. load:**  
Straight 30000 N/m  
Curve 3500 N  
**Weight:** 8,3 kg/m<sup>2</sup>  
**Temp. range dry:** -40÷80 °C  
**Temp. range wet:** -40÷65 °C  
**Pin material:** PBT white

Internal Min Radius  
2 times the width



STANDARD



Series	Material	Width	Version	min radius
5422	*	0255	E	510
5422	*	0340	E	680
5422	*	0425	E	850
5422	*	0510	E	1020
5422	*	0595	E	1190
5422	*	0680	E	1360
5422	*	0765	E	1530
5422	*	0850	E	1700

TAB DKM Material



# 600 Heavy duty with Bearings

Tappeti modulari / Modular belts / Mattenketten

Belts wider than standard are available with 85 mm increments

## 600 Heavy duty with Bearings

Tappeto Modulare Curvilineo Serie 600, H=12,7 M=85  
Side Flex Modular Belt Series 600, H=12,7 M=85 / Kurvengängige Mattenkette Serie 600, H=12,7 M=85

CODE STRUCTURE GUIDE (Example)

Backflex radius min.: 25 mm

<b>5422</b>	<b>01</b>	<b>0340</b>	<b>F</b>
Series	*Material	Width	Version

**27.5%**  
OPEN SURFACE

**31.75 mm**  
PITCH

		
pg. 330	pg. 173	pg. 651>661

**RANGE EXTENSION**



Metric Size

\*Material

### LFA - Code 01

Low friction Acetal

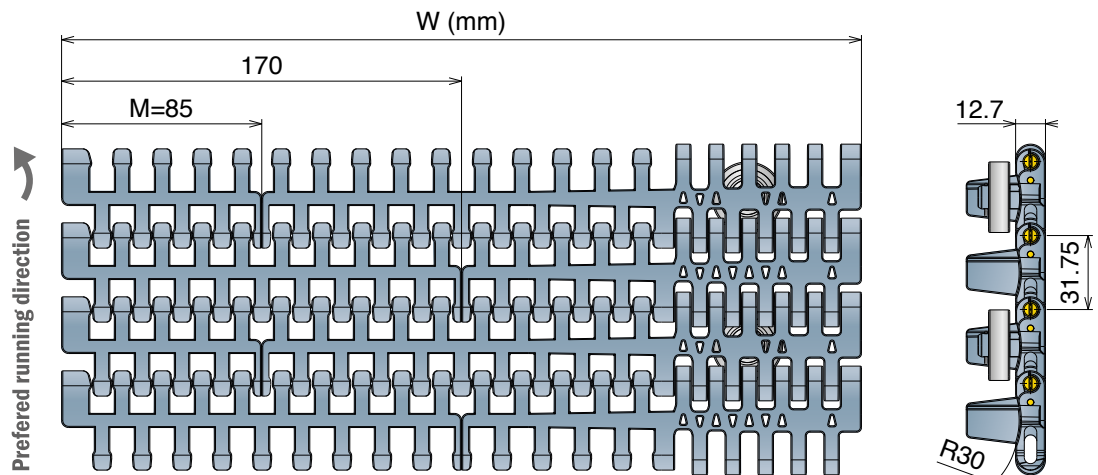
**Max w. load:**  
Straight 30000 N/m  
Curve 3500 N  
**Weight:** 9,0 kg/m<sup>2</sup>  
**Temp. range dry:** -40+80 °C  
**Temp. range wet:** -40+65 °C  
**Pin material:** PBT white

### LFB - Code 23

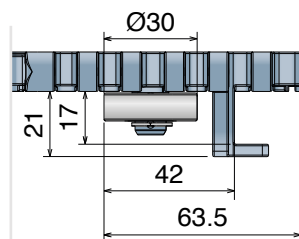
Low friction Acetal

**Max w. load:**  
Straight 30000 N/m  
Curve 3500 N  
**Weight:** 9,0 kg/m<sup>2</sup>  
**Temp. range dry:** -40+80 °C  
**Temp. range wet:** -40+65 °C  
**Pin material:** PBT white

Internal Min Radius  
2 times the width



STANDARD



Series	Material	Width	Version	min radius
5422	*	0255	F	510
5422	*	0340	F	680
5422	*	0425	F	850
5422	*	0510	F	1020
5422	*	0595	F	1190
5422	*	0680	F	1360
5422	*	0765	F	1530
5422	*	0850	F	1700

**Bearing Zoom**



Tappeti modulari / Modular belts / Mattenketten

## 600 Small radius

Tappeto Modulare Curvilineo Serie 600, H=12,7 M=85  
Side Flex Modular Belt Series 600, H=12,7 M=85 / Kurvengängige Mattenkette Serie 600, H=12,7 M=85

CODE STRUCTURE GUIDE (Example)

Backflex radius min.: 25 mm

<b>5423</b>	<b>01</b>	<b>0340</b>	<b>A</b>
Series	*Material	Width	Version

**29.5%**  
OPEN SURFACE

**31.75 mm**  
PITCH

pg. 330-331	pg. 170/171	pg. 651>661



Metric Size

\*Material

### LFA - Code 01

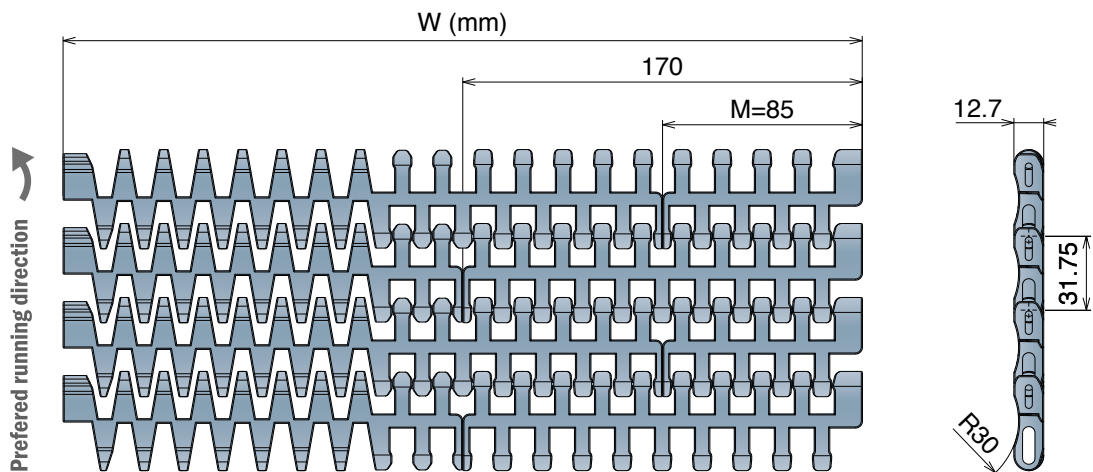
Low friction Acetal

**Max w. load:**  
Straight 30000 N/m  
Curve 2500 N  
**Weight:** 7.0 kg/m<sup>2</sup>  
**Temp. range dry:** -40÷80 °C  
**Temp. range wet:** -40÷65 °C  
**Pin material:** PBT white

### LFB - Code 23

Low friction Acetal

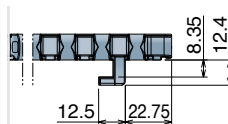
**Max w. load:**  
Straight 30000 N/m  
Curve 2500 N  
**Weight:** 7.0 kg/m<sup>2</sup>  
**Temp. range dry:** -40÷80 °C  
**Temp. range wet:** -40÷65 °C  
**Pin material:** PBT white



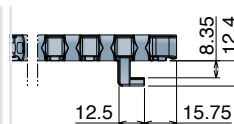
#### STANDARD



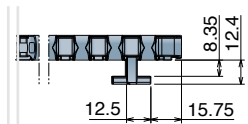
#### TAB



#### REVERSE TAB



#### TAB REVERSE TAB



Series	Material	Width	Version	min radius
5423	*	0340	A	400
5423	*	0425	A	500
5423	*	0510	A	600
5423	*	0595	A	720
5423	*	0680	A	880
5423	*	0765	A	1040
5423	*	0850	A	1200
5423	*	0340	B	400
5423	*	0425	B	500
5423	*	0510	B	600
5423	*	0595	B	720
5423	*	0680	B	880
5423	*	0765	B	1040
5423	*	0850	B	1200
5423	*	0340	C	400
5423	*	0425	C	500
5423	*	0510	C	600
5423	*	0595	C	720
5423	*	0680	C	880
5423	*	0765	C	1040
5423	*	0850	C	1200
5423	*	0340	D	400
5423	*	0425	D	500
5423	*	0510	D	600
5423	*	0595	D	720
5423	*	0680	D	880
5423	*	0765	D	1040
5423	*	0850	D	1200

# 600 Heavy duty/Small radius

Tappeti modulari / Modular belts / Mattenketten

Belts wider than standard are available with 85 mm increments

## 600 Heavy duty/Small radius

Tappeto Modulare Curvilineo Serie 600, H=12,7 M=170  
Side Flex Modular Belt Series 600, H=12,7 M=170 / Kurvengängige Mattenkette Serie 600, H=12,7 M=170

CODE STRUCTURE GUIDE (Example)

Backflex radius min.: 25 mm

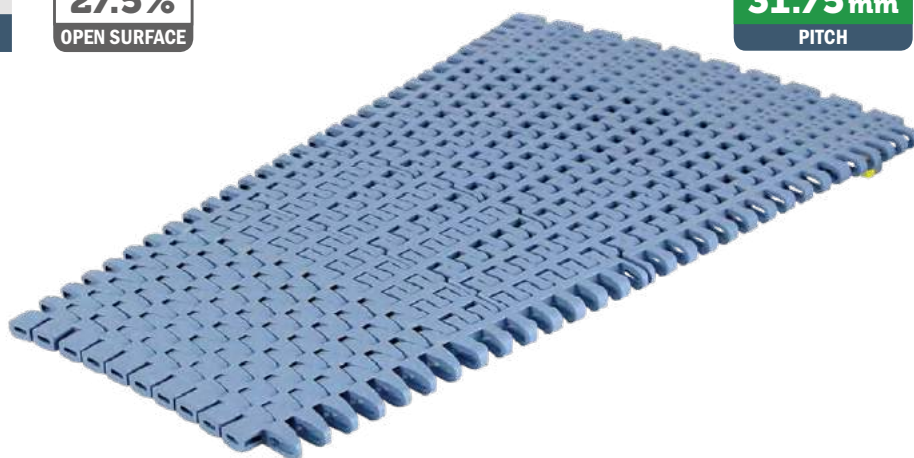
5424	01	0425	E
Series	*Material	Width	Version

**27.5%**  
OPEN SURFACE

**31.75 mm**  
PITCH

		
pg. 330-331	pg. 172	pg. 651>661

**RANGE EXTENSION**



\*Material

### LFA - Code 01

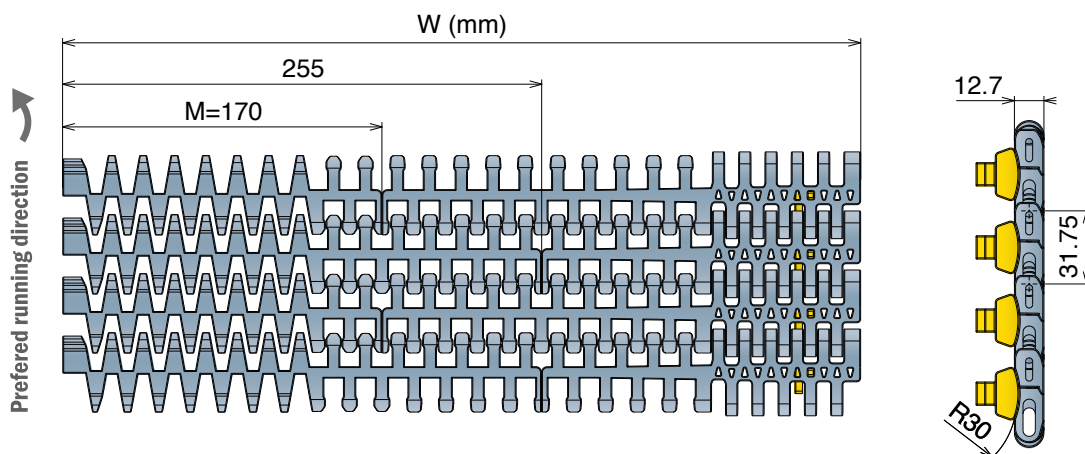
Low friction Acetal

**Max w. load:**  
Straight 30000 N/m  
Curve 3500 N  
**Weight:** 7,5 kg/m<sup>2</sup>  
**Temp. range dry:** -40+80 °C  
**Temp. range wet:** -40+65 °C  
**Pin material:** PBT white

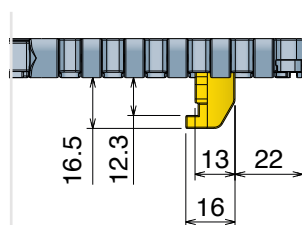
### LFB - Code 23

Low friction Acetal

**Max w. load:**  
Straight 30000 N/m  
Curve 3500 N  
**Weight:** 7,5 kg/m<sup>2</sup>  
**Temp. range dry:** -40+80 °C  
**Temp. range wet:** -40+65 °C  
**Pin material:** PBT white

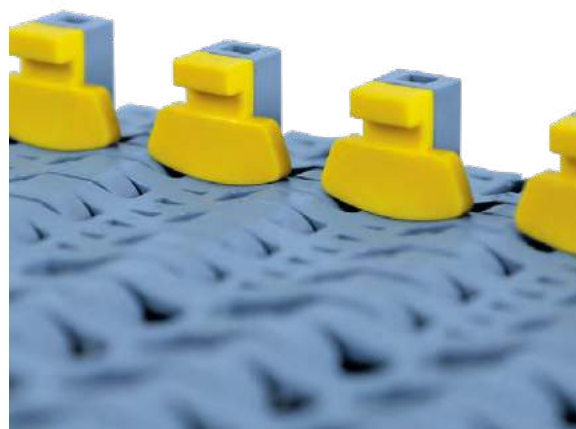


STANDARD



Series	Material	Width	Version	min radius
5424	*	0255	E	390
5424	*	0340	E	420
5424	*	0425	E	500
5424	*	0510	E	600
5424	*	0595	E	720
5424	*	0680	E	880
5424	*	0765	E	1040
5424	*	0850	E	1200

TAB DKM Material



Metric Size

Tappeti modulari / Modular belts / Mattenketten

# 600 Heavy duty/Small radius with Bearings

Belts wider than standard are available with 85 mm increments

Tappeti modulari / Modular belts / Mattenketten

## 600 Heavy duty/Small radius with Bearings

Tappeto Curvilineo Serie 600, H=12,7 M=170  
Side Flex Modular Belt Series 600, H=12,7 M=170 / Kurvengängige Mattenkette Serie 600, H=12,7 M=170

CODE STRUCTURE GUIDE (Example)

Backflex radius min.: 25 mm

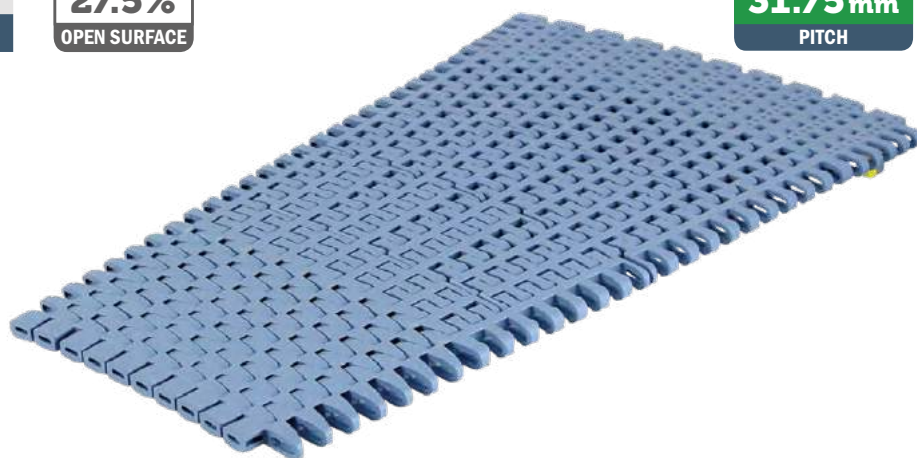
5424	01	0425	F
Series	*Material	Width	Version

**27.5%**  
OPEN SURFACE

**31.75mm**  
PITCH

pg. 330-331	pg. 173	pg. 651>661

**RANGE EXTENSION**



Metric Size

\*Material

### LFA - Code 01

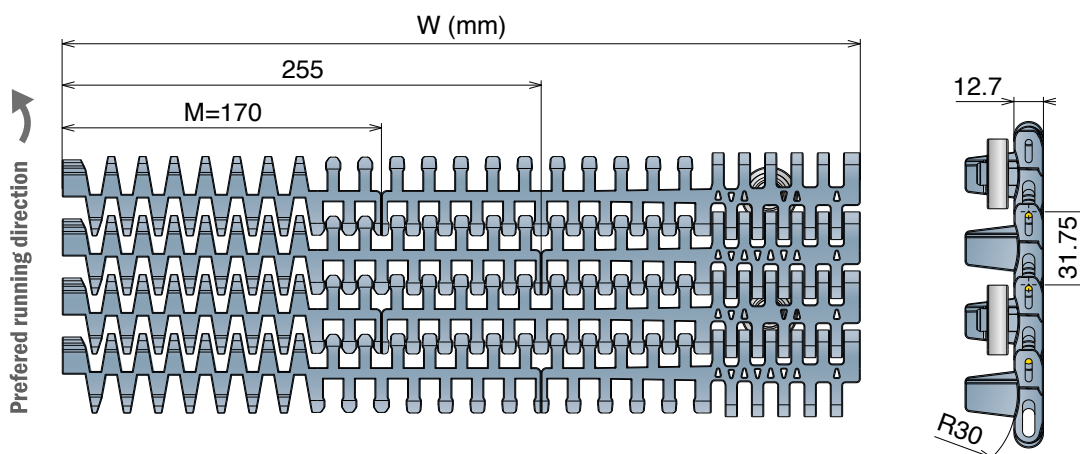
Low friction Acetal

**Max w. load:**  
Straight 30000 N/m  
Curve 3500 N  
**Weight:** 8,5 kg/m<sup>2</sup>  
**Temp. range dry:** -40÷80 °C  
**Temp. range wet:** -40÷65 °C  
**Pin material:** PBT white

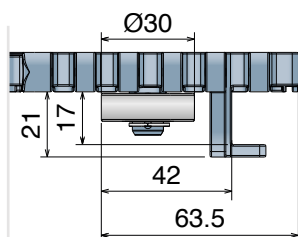
### LFB - Code 23

Low friction Acetal

**Max w. load:**  
Straight 30000 N/m  
Curve 3500 N  
**Weight:** 8,5 kg/m<sup>2</sup>  
**Temp. range dry:** -40÷80 °C  
**Temp. range wet:** -40÷65 °C  
**Pin material:** PBT white



STANDARD



Series	Material	Width	Version	min radius
5424	*	0255	F	390
5424	*	0340	F	420
5424	*	0425	F	500
5424	*	0510	F	600
5424	*	0595	F	720
5424	*	0680	F	880
5424	*	0765	F	1040
5424	*	0850	F	1200

**Bearing Zoom**



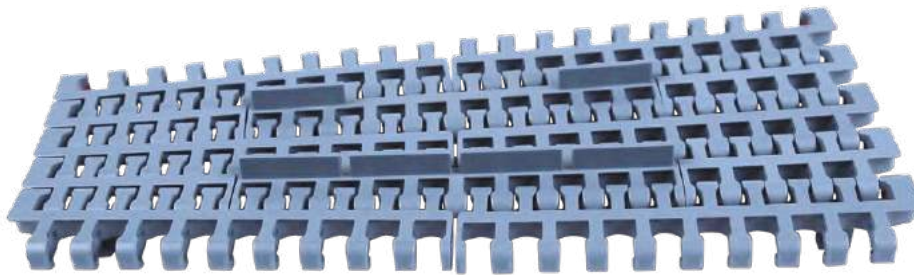
# 600 with pusher - 1047 Heavy duty guide

Tappeti modulari / Modular belts / Mattenketten

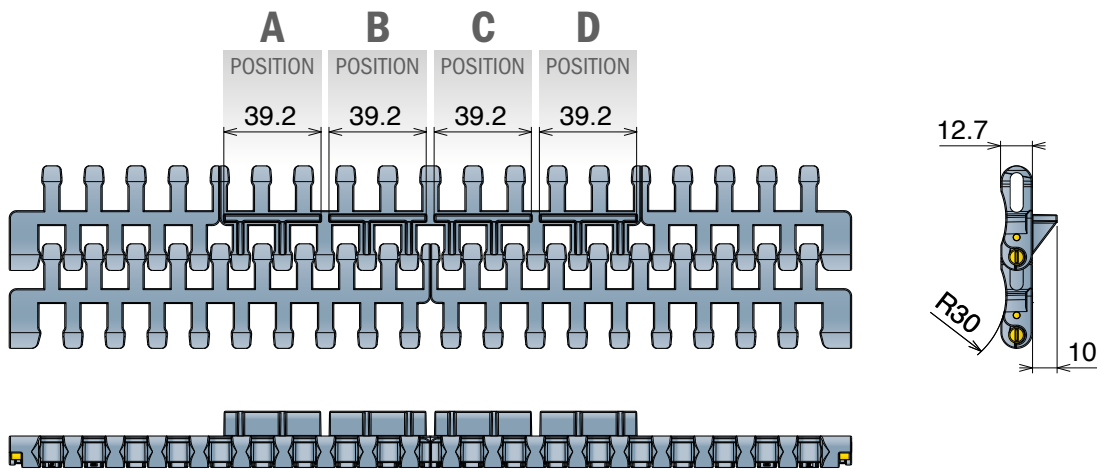
Metric Size

## 600 with pusher

Tappeto Modulare Curvilineo Serie 600, H=12,7 M=85  
Side Flex Modular Belt Series 600, H=12,7 M=85 / Kurvengängige Mattenkette Serie 600, H=12,7 M=85



**31.75 mm**  
PITCH



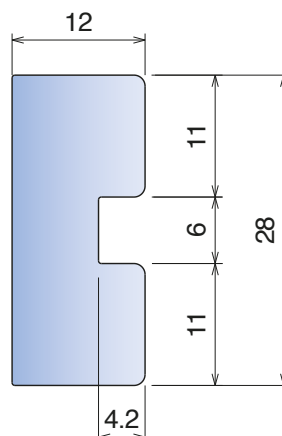
The pusher is applicable only for the center module, and there are available up to a maximum of 4 positions (A-B-C-D) or with different types of combinations (example A-B-D / A-C / B-C-D).

**Consult our engineering department for details.**

## 1047 Guida tappeto

Belt side guide / Seitenführung für Mattenkette

Part	Article-Nr.	Material	Width
1047	104700BC	BluLub	3 m



**Material:** Polyethylene UHMW-PE with molecular density 9,200,000 g/mo.  
**BluLub**® new material with reduced coefficient of friction and higher wear resistance. BluLub complies with the code of Federal Regulations of FDA.  
Linear expansion coefficient:  $1.1 \times 10^{-4} \text{ } ^\circ\text{F}^{-1}$  ( $2 \times 10^{-4} \text{ } ^\circ\text{C}^{-1}$ )  
Operating temperature: -40 to 176 °F (-40 to +80 °C)

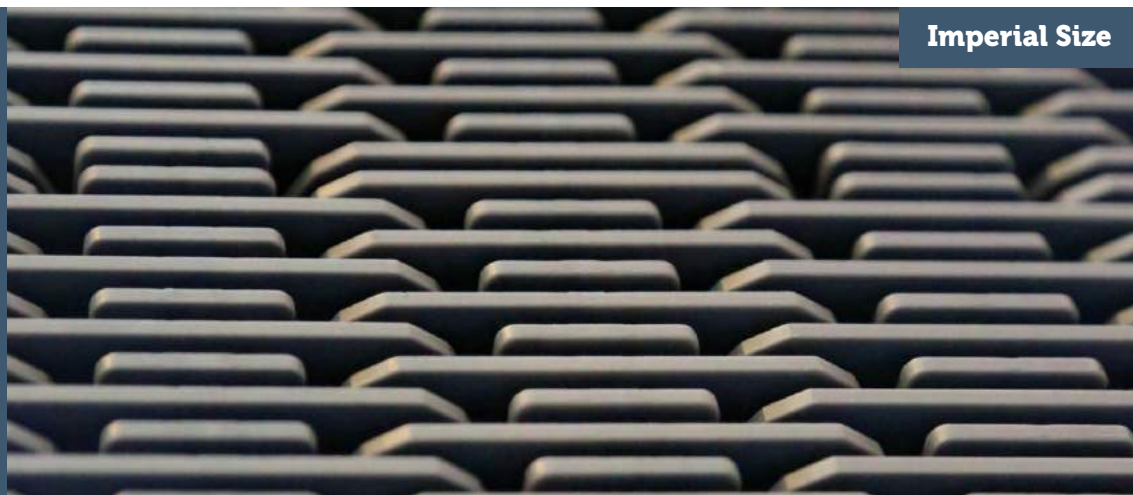
Tappeti modulari / Modular belts / Mattenketten

# 500 Series

# 500

Pitch 50,8 mm  
H= 24 mm

Imperial Size



500 RR  
500 RR *with positioner*  
389 *Combs*

**Movex**<sup>®</sup>

# 500 RR

Tappeti modulari / Modular belts / Mattenketten

Belts wider than standard are available with 3 inch increments

Imperial Size

## 500 RR

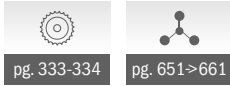
Tappeto Modulare 500 RR  
Raised Rib Belt Series 500 RR / Modulare Mattenkette 500 RR

CODE STRUCTURE GUIDE (Example)

Backflex radius min.: 100 mm

1348	02	0060
Series	*Material	Width

**50.8mm**  
PITCH



### \*Material

<b>PP - Code 02</b> Polypropylene	<b>PPX - Code 11</b> Polypropylene
--------------------------------------	---------------------------------------

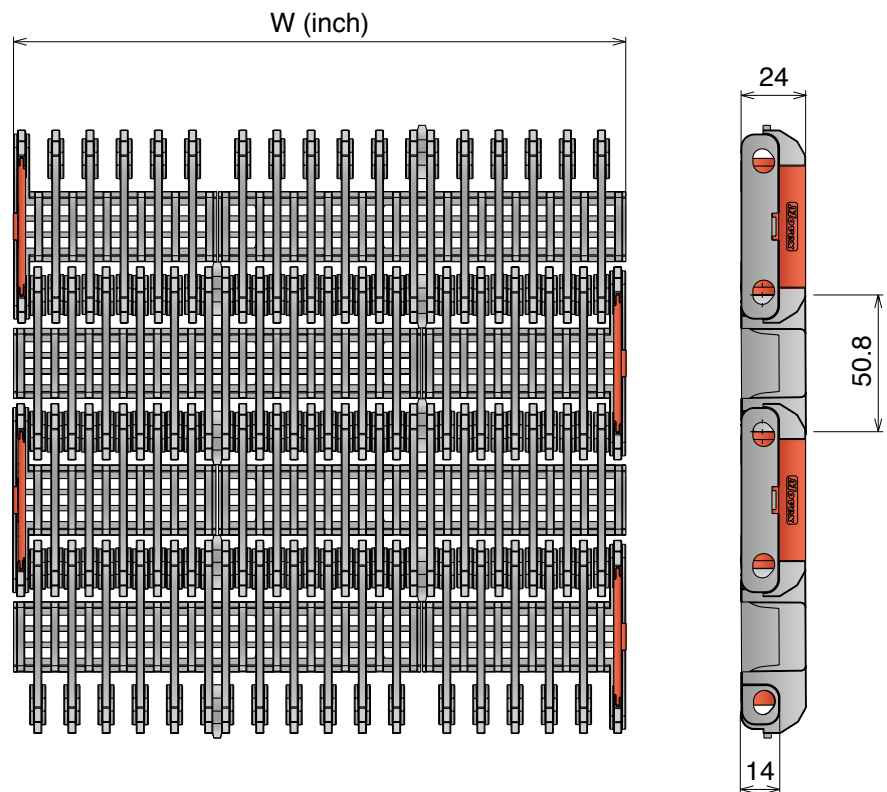
<b>Max w. load:</b> 30000 N/m	<b>Max w. load:</b> 30000 N/m
<b>Weight:</b> 10,65 kg/m <sup>2</sup>	<b>Weight:</b> 10,65 kg/m <sup>2</sup>
<b>Temp. range:</b> 4÷104 °C	<b>Temp. range:</b> 4÷104 °C

**Pin material:** PP grey    **Pin material:** PP grey

**IMPROVED HEAT STABILITY**



Series	Material	Width
1348	*	0060
1348	*	0063
1348	*	0066
1348	*	0069
1348	*	0072
1348	*	0075
1348	*	0078
1348	*	0081
1348	*	0084
1348	*	0087
1348	*	0090
1348	*	0093
1348	*	0096
1348	*	0099
1348	*	0102
1348	*	0105
1348	*	0108
1348	*	0111
1348	*	0114
1348	*	0117
1348	*	0120



Tappeti modulari / Modular belts / Mattenketten



# 500 RR with positioner

Tappeti modulari / Modular belts / Mattenketten

Belts wider than standard are available with 3 inch increments

## NEW 500 RR with positioner Tappeto Modulare 500 RR Raised Rib Belt Series 500 RR / Modulare Mattenkette 500 RR

### CODE STRUCTURE GUIDE (Example)

Backflex radius min.: 100 mm

<b>1348</b>	<b>02</b>	<b>0060</b>	<b>C</b>
Series	*Material	Width	Version

**50.8mm**  
PITCH



pg. 333-334



pg. 651>661

### \*Material

**PP - Code 02**  
Polypropylene

**PPX - Code 11**  
Polypropylene

<b>Max w. load:</b>	30000 N/m	<b>Max w. load:</b>	30000 N/m
<b>Weight:</b>	10,65 kg/m <sup>2</sup>	<b>Weight:</b>	10,65 kg/m <sup>2</sup>
<b>Temp. range:</b>	4÷104 °C	<b>Temp. range:</b>	4÷104 °C

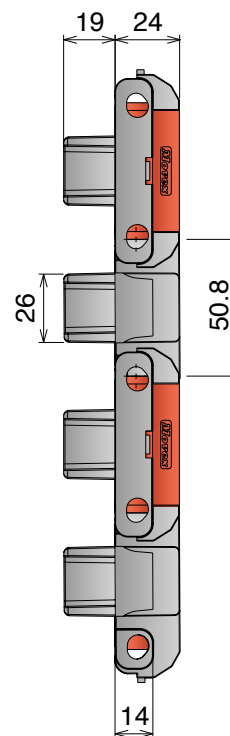
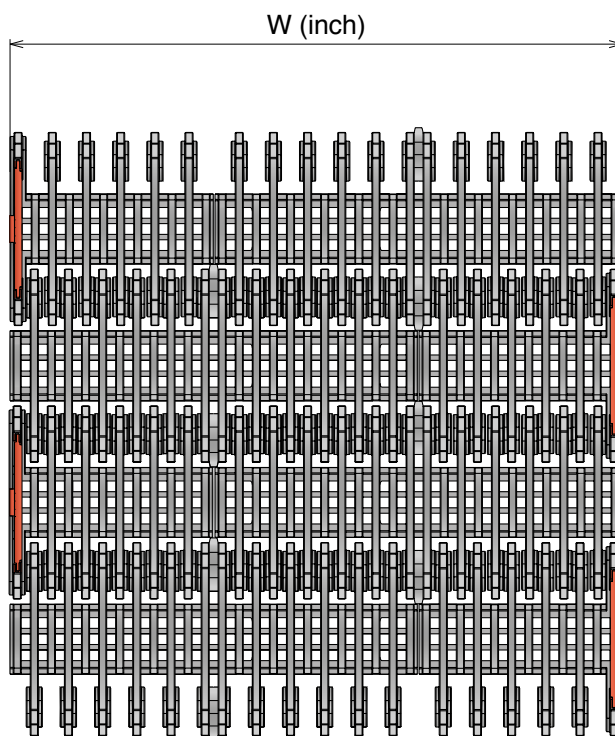
**Pin material:** PP grey    **Pin material:** PP grey

**IMPROVED HEAT STABILITY**

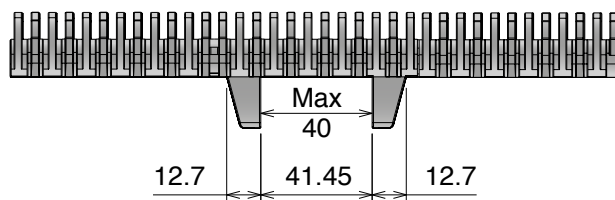


Imperial Size

Series	Material	Width	Version
1348	*	0060	C
1348	*	0063	C
1348	*	0066	C
1348	*	0069	C
1348	*	0072	C
1348	*	0075	C
1348	*	0078	C
1348	*	0081	C
1348	*	0084	C
1348	*	0087	C
1348	*	0090	C
1348	*	0093	C
1348	*	0096	C
1348	*	0099	C
1348	*	0102	C
1348	*	0105	C
1348	*	0108	C
1348	*	0111	C
1348	*	0114	C
1348	*	0117	C
1348	*	0120	C



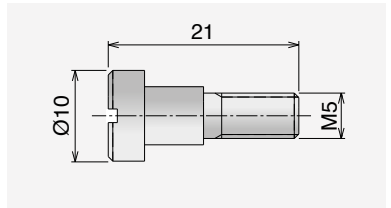
Bottom view



For belt widths multiple of 3", positioners are centered (e.g. 63,69,75,81 inches).  
For belt widths multiple of 6", positioners are 1,5" offset (e.g. 60,66,72,78 inches).

## 389 Pettine Combs / Fingerplatte

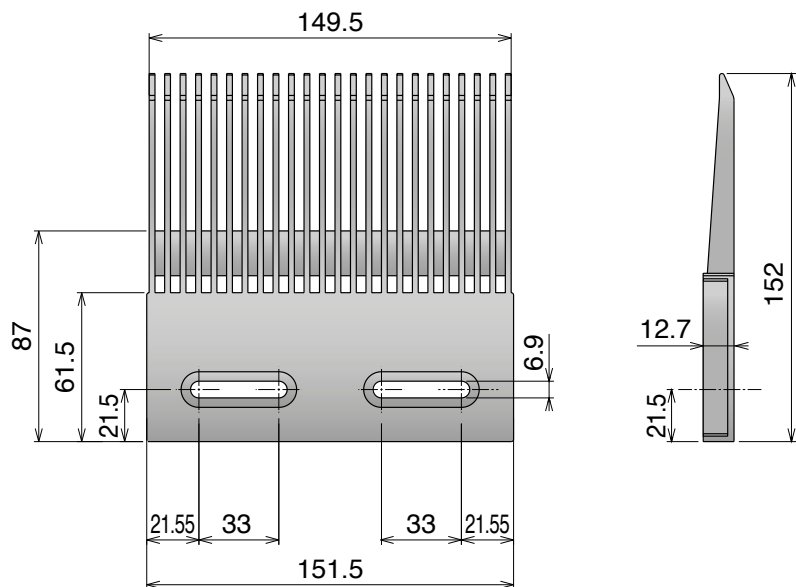
Two screw included



For assembly instructions refers to Movex engineering manual available on our website.

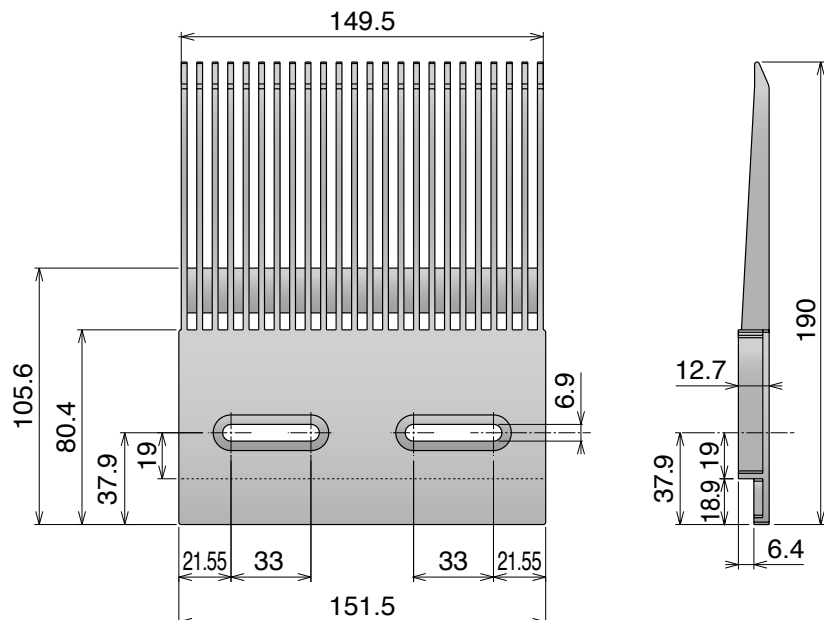
### Type A

Part	Article-Nr.
389	38901



### Type B

Part	Article-Nr.
389	38902



# ZERO CONTACT

# ZER<sup>520</sup>CONTACT

SIDE FLEX MODULAR BELT



**ZERO CONTACT**  
**ZERO CONTACT PRO**

**Movex<sup>®</sup>**

## ZERO CONTACT

Tappeto Modulare Curvilineo Zero Contact™, H=10,1 M=200

Side Flex Modular Belt Zero Contact™, H=10,1 M=200 / Kurvengängige Mattenkette Zero Contact™, H=10,1 M=200

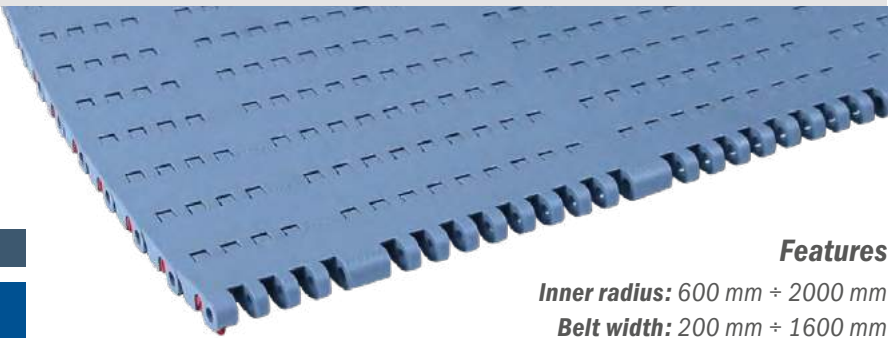
		
pg. 332	pg. 286/292	pg. 651->661

**SAMPLE BOX**  
Art.-Nr. **599999925A**

**Material**

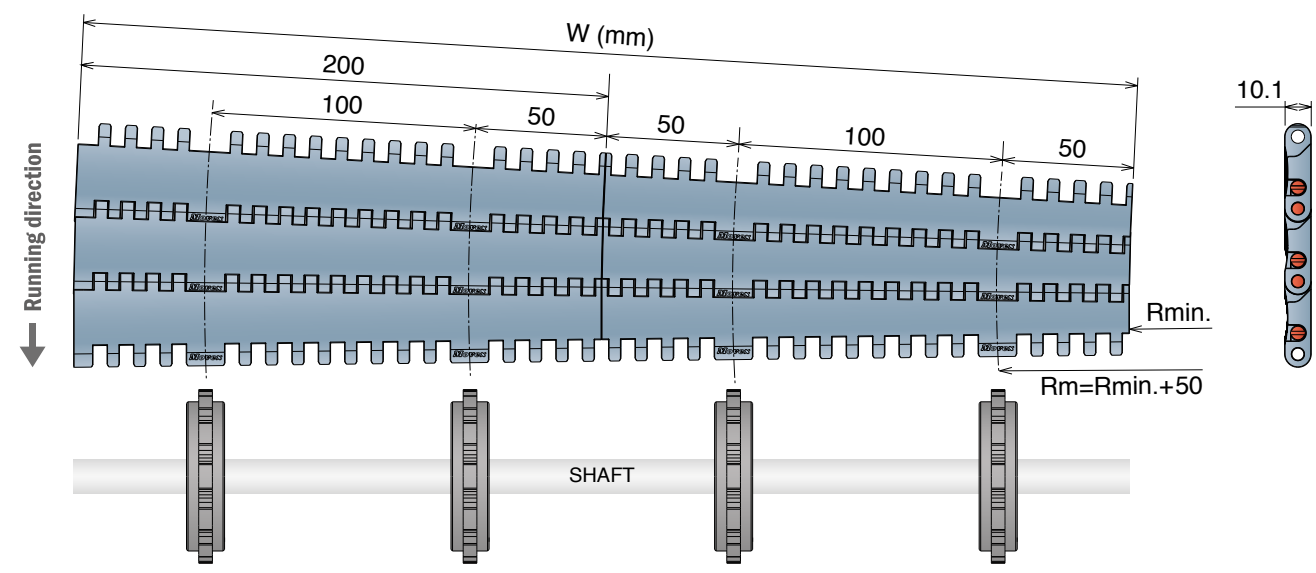
<b>LFA - Code 01</b> <i>Low friction Acetal</i>	<b>LFB - Code 23</b> <i>Low friction Acetal</i>
--	--

<b>Max w. load:</b> 13500 N/m	<b>Max w. load:</b> 13500 N/m
<b>Weight:</b> 9,25 kg/m <sup>2</sup>	<b>Weight:</b> 9,25 kg/m <sup>2</sup>
<b>Temp. range dry:</b> -40÷80 °C	<b>Temp. range dry:</b> -40÷80 °C
<b>Temp. range wet:</b> -40÷65 °C	<b>Temp. range wet:</b> -40÷65 °C
<b>Pin material:</b> PBT white	<b>Pin material:</b> PBT white



### Features

- Inner radius:** 600 mm ÷ 2000 mm
- Belt width:** 200 mm ÷ 1600 mm
- Angle:** 90° and 180° (different on request)
- Row to row angle:** 1,33°
- Pin material:** Ø4,7 mm, PBT White
- Open Area:** 0%



**Movex® Zero Contact™** modular fixed radius curve belt is the best choice for all type of transportation, for beverage, food and logistic industries, thanks to its versatility.

It offers high performances, reducing the coefficient of friction between product and running belt surface and improves the efficiency of the line, by minimizing downtimes.

A wide range of radii and widths helps finding the right solution for every product dimension and transportation condition, from light packages to heavier ones.


Installation and maintenance have never been so easy, so far.



The belt is compliant to: • Regulation: D.P.R. 777 - 23 August 1982 e D.L. 108 - 25 January 1992; • UNI EN 1186 1÷15:2003  
• D.M. 34 del 21.3.73 S.O. GU n° 104 - 20/04/73 and following updates • Regulation (EU) n. 10/2011, GUUE L 12 del 15/01/2011 and following updates.  
• Regulations (CE) n. 1935/2004 GUCE L 338 del 13/11/04 and n. 1895/2005 GUCE L 302 - 19/11/2005.

 **Low friction**

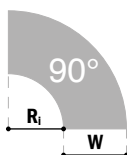
 **Minimized maintenance**

 **Easy pin removal**

Delivery: **Easy** Standard

## ZERO CONTACT

SIDE FLEX MODULAR BELT



### Side Flex Modular Belt Zero Contact™ 90° | Length of the belt 150 Modules

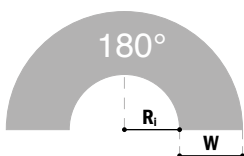
Belt Width	R, 600	R, 800	R, 1000	R, 1200	R, 1400	R, 1600	R, 1800	R, 2000	Material
200	5451010201A	5451010202A	5451010203A	5451010204A	5451010205A	5451010206A	5451010207A	5451010208A	LFA
400	5451010401A	5451010402A	5451010403A	5451010404A	5451010405A	5451010406A	5451010407A	-	
600	5451010601A	5451010602A	5451010603A	5451010604A	5451010605A	5451010606A	-	-	
800	5451010801A	5451010802A	5451010803A	5451010804A	5451010805A	-	-	-	
1000	5451011001A	5451011002A	5451011003A	5451011004A	-	-	-	-	
1200	5451011201A	5451011202A	5451011203A	-	-	-	-	-	
1400	5451011401A	5451011402A	-	-	-	-	-	-	
1600	5451011601A	-	-	-	-	-	-	-	

### Side Flex Modular Belt Zero Contact™ 90° | Length of the belt 150 Modules

Belt Width	R, 600	R, 800	R, 1000	R, 1200	R, 1400	R, 1600	R, 1800	R, 2000	Material
200	5451230201A	5451230202A	5451230203A	5451230204A	5451230205A	5451230206A	5451230207A	5451230208A	LFB
400	5451230401A	5451230402A	5451230403A	5451230404A	5451230405A	5451230406A	5451230407A	-	
600	5451230601A	5451230602A	5451230603A	5451230604A	5451230605A	5451230606A	-	-	
800	5451230801A	5451230802A	5451230803A	5451230804A	5451230805A	-	-	-	
1000	5451231001A	5451231002A	5451231003A	5451231004A	-	-	-	-	
1200	5451231201A	5451231202A	5451231203A	-	-	-	-	-	
1400	5451231401A	5451231402A	-	-	-	-	-	-	
1600	5451231601A	-	-	-	-	-	-	-	

## ZERO CONTACT

SIDE FLEX MODULAR BELT



### Side Flex Modular Belt Zero Contact™ 180° | Length of the belt 285 Modules

Belt Width	R, 600	R, 800	R, 1000	R, 1200	R, 1400	R, 1600	R, 1800	R, 2000	Material
200	5452010201A	5452010202A	5452010203A	5452010204A	5452010205A	5452010206A	5452010207A	5452010208A	LFA
400	5452010401A	5452010402A	5452010403A	5452010404A	5452010405A	5452010406A	5452010407A	-	
600	5452010601A	5452010602A	5452010603A	5452010604A	5452010605A	5452010606A	-	-	
800	5452010801A	5452010802A	5452010803A	5452010804A	5452010805A	-	-	-	
1000	5452011001A	5452011002A	5452011003A	5452011004A	-	-	-	-	
1200	5452011201A	5452011202A	5452011203A	-	-	-	-	-	
1400	5452011401A	5452011402A	-	-	-	-	-	-	
1600	5452011601A	-	-	-	-	-	-	-	

### Side Flex Modular Belt Zero Contact™ 180° | Length of the belt 285 Modules

Belt Width	R, 600	R, 800	R, 1000	R, 1200	R, 1400	R, 1600	R, 1800	R, 2000	Material
200	5452230201A	5452230202A	5452230203A	5452230204A	5452230205A	5452230206A	5452230207A	5452230208A	LFB
400	5452230401A	5452230402A	5452230403A	5452230404A	5452230405A	5452230406A	5452230407A	-	
600	5452230601A	5452230602A	5452230603A	5452230604A	5452230605A	5452230606A	-	-	
800	5452230801A	5452230802A	5452230803A	5452230804A	5452230805A	-	-	-	
1000	5452231001A	5452231002A	5452231003A	5452231004A	-	-	-	-	
1200	5452231201A	5452231202A	5452231203A	-	-	-	-	-	
1400	5452231401A	5452231402A	-	-	-	-	-	-	
1600	5452231601A	-	-	-	-	-	-	-	

## ZERO CONTACT PRO

Tappeto Modulare Curvilineo Zero Contact PRO, H=9

Side Flex Modular Belt Zero Contact PRO, H=9 / Kurvengängige Mattenkette Zero Contact PRO, H=9



pg. 332

Zero contact  
Pro Curve

pg. 288/290



pg. 651>661

### SAMPLE BOX

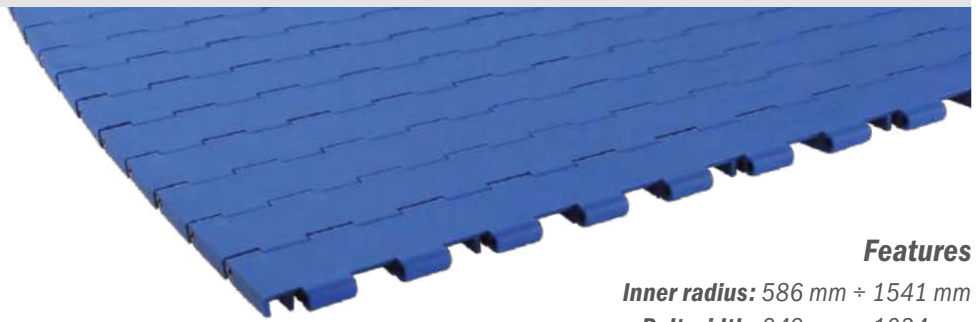
Art.-Nr. **599999925A**

### Material

### PA - Code 28

Glass fiber reinforced

Max w. load: 19000 N/m  
Weight: 9,25 kg/m<sup>2</sup>  
Temp. range dry: -30+100 °C  
Temp. range wet: N.R.  
Pin: Stainless steel



### Features

Inner radius: 586 mm ÷ 1541 mm

Belt width: 249 mm ÷ 1034 mm

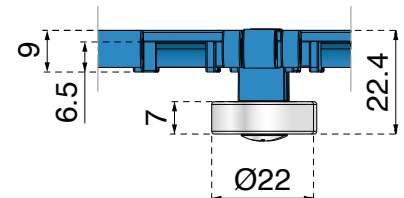
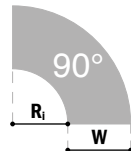
Angle: 90° and 180° (different on request)

Row to row angle: 1°

Pin: Ø4 mm, material 1.4301

Open Area: 0%

**ZERO CONTACT**  
SIDE FLEX MODULAR BELT



### Side Flex Modular Belt Zero Contact PRO™ 90° | Without bearings | Length of the belt 200 modules

Order code	R <sub>i</sub> - mm	W - mm	Order code	R <sub>i</sub> - mm	W - mm	Order code	R <sub>i</sub> - mm	W - mm
5461280439A-M	586	439	5462281034A-M	756	1034	5464280504A-M	1116	504
5461280524A-M	586	524	5463280269A-M	1011	269	5465280419A-M	1201	419
5461280864A-M	586	864	5463280439A-M	1011	439	5466280249A-M	1286	249
5461281034A-M	586	1034	5463280524A-M	1011	524	5465280504A-M	1286	504
5462280269A-M	756	269	5463280864A-M	1011	864	5466280419A-M	1456	419
5462280439A-M	756	439	5463281034A-M	1011	1034	5466280504A-M	1541	504
5462280524A-M	756	524	5465280249A-M	1031	249			
5462280864A-M	756	864	5464280419A-M	1031	419			

### Side Flex Modular Belt Zero Contact PRO™ 90° | With bearings | Length of the belt 200 modules

Order code	R <sub>i</sub> - mm	W - mm	Order code	R <sub>i</sub> - mm	W - mm
5462280249A-M	1031	249	5463280249A-M	1286	249
5461280419A-M	1031	419	5462280504A-M	1286	504
5461280504A-M	1116	504	5463280419A-M	1456	419
5462280419A-M	1201	419	5463280504A-M	1541	504



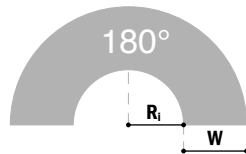
### Side Flex Modular Belt Zero Contact PRO™ 90° | Two track combinations | Length of the belts 200 modules

Track 1 - Order code	R <sub>i</sub> - mm	W - mm	Track 2 - Order code	R <sub>i</sub> - mm	W - mm	Total width
5462280269A-M	756	269	+ 5462280249A-M	1031	249	= 524
5463280269A-M	1011	269	+ 5463280249A-M	1286	249	= 524
5461280439A-M	586	439	+ 5461280419A-M	1031	419	= 864
5462280439A-M	756	439	+ 5462280419A-M	1201	419	= 864
5463280439A-M	1011	439	+ 5463280419A-M	1456	419	= 864
5461280524A-M	586	524	+ 5461280504A-M	1116	504	= 1034
5462280524A-M	756	524	+ 5462280504A-M	1286	504	= 1034
5463280524A-M	1011	524	+ 5463280504A-M	1541	504	= 1034

The gap between the belts is 6 mm. | Track 1 belt is supplied without bearings. | Track 2 belt is supplied with bearings.

Continue >>

**ZERO CONTACT**  
SIDE FLEX MODULAR BELT



**Side Flex Modular Belt Zero Contact PRO™ 180°** | Without bearings | Length of the belt 380 modules

Order code	R <sub>i</sub> - mm	W - mm	Order code	R <sub>i</sub> - mm	W - mm	Order code	R <sub>i</sub> - mm	W - mm
5461280439B-M	586	439	5462281034B-M	756	1034	5464280504B-M	1116	504
5461280524B-M	586	524	5463280269B-M	1011	269	5465280419B-M	1201	419
5461280864B-M	586	864	5463280439B-M	1011	439	5466280249B-M	1286	249
5461281034B-M	586	1034	5463280524B-M	1011	524	5465280504B-M	1286	504
5462280269B-M	756	269	5463280864B-M	1011	864	5466280419B-M	1456	419
5462280439B-M	756	439	5463281034B-M	1011	1034	5466280504B-M	1541	504
5462280524B-M	756	524	5465280249B-M	1031	249			
5462280864B-M	756	864	5464280419B-M	1031	419			

**Side Flex Modular Belt Zero Contact PRO™ 180°** | With bearings | Length of the belt 380 modules

Order code	R <sub>i</sub> - mm	W - mm	Order code	R <sub>i</sub> - mm	W - mm
5462280249B-M	1031	249	5463280249B-M	1286	249
5461280419B-M	1031	419	5462280504B-M	1286	504
5461280504B-M	1116	504	5463280419B-M	1456	419
5462280419B-M	1201	419	5463280504B-M	1541	504



**Side Flex Modular Belt Zero Contact PRO™ 180°** | Two track combinations | Length of the belts 380 modules

Track 1 - Order code	R <sub>i</sub> - mm	W - mm		Track 2 - Order code	R <sub>i</sub> - mm	W - mm	Total width
5462280269B-M	756	269	+	5462280249B-M	1031	249	= 524
5463280269B-M	1011	269	+	5463280249B-M	1286	249	= 524
5461280439B-M	586	439	+	5461280419B-M	1031	419	= 864
5462280439B-M	756	439	+	5462280419B-M	1201	419	= 864
5463280439B-M	1011	439	+	5463280419B-M	1456	419	= 864
5461280524B-M	586	524	+	5461280504B-M	1116	504	= 1034
5462280524B-M	756	524	+	5462280504B-M	1286	504	= 1034
5463280524B-M	1011	524	+	5463280504B-M	1541	504	= 1034

The gap between the belts is 6 mm. | Track 1 belt is supplied without bearings. | Track 2 belt is supplied with bearings.

The innovative design of **Movex® Zero Contact™ PRO** is recommended for high speed, heavy loads and transportation of abrasive substances, like sand, salt, sugar, and many other applications.

The stainless steel pins guarantee a higher working load and due to the new pin retention with grub screw, the assembly of this belt is 100% secure.


The robust structure of **Zero Contact™ PRO** can be summarized in minimal maintenance, long life expectation and high reliability.

**Zero Contact™ PRO** is a versatile belt, allowing a wider range of available widths and radii. Find out also our “two-tracks” version.



 **Extreme speed**

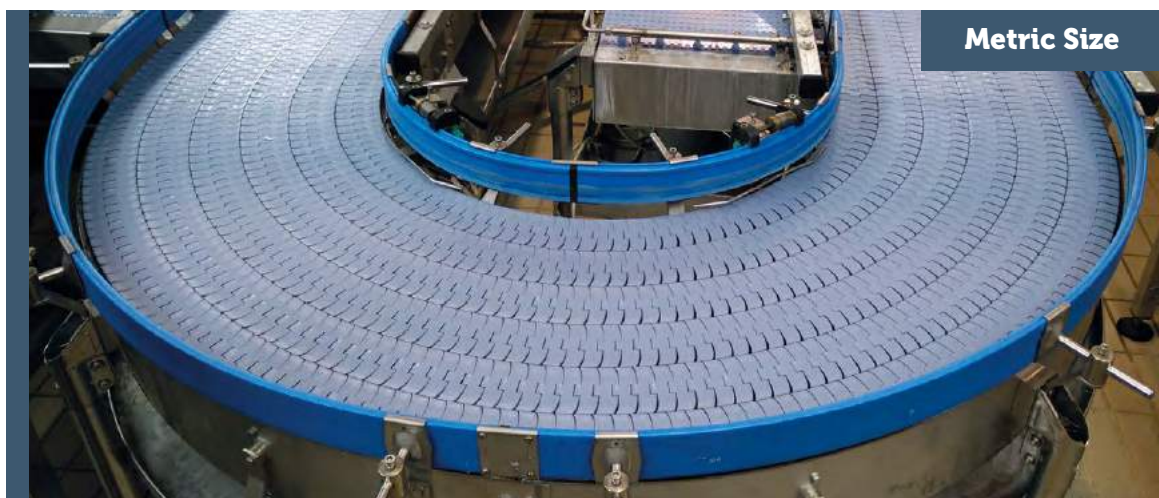
 **Heavy duty**

 **High abrasion resistance**

# 260/261

Pitch 25,4 mm

H= 21 mm / 25 mm / 28,7 mm



Metric Size

260 M FT  
260 M FG  
260 TAB

261 M FT  
261 TAB



## 260 M FT

Catena curvilinea  
Sideflexing belt/chain / Kurvengängige Mattenkette

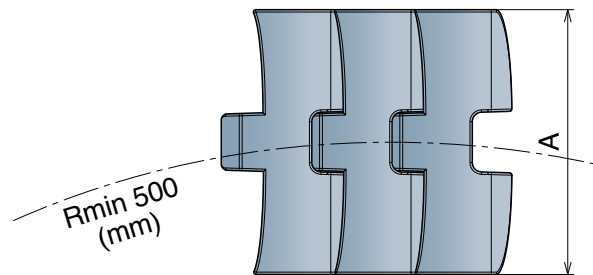
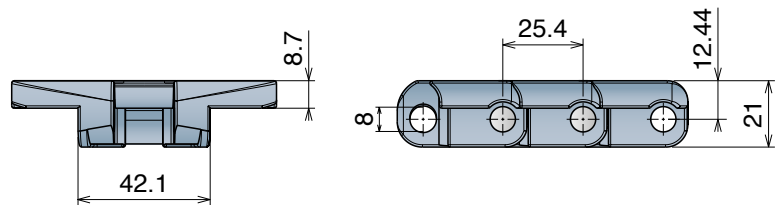
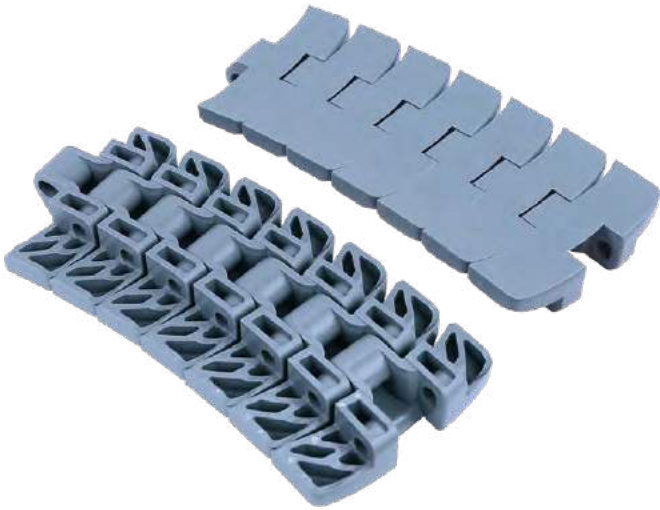
**MAGNETIC SYSTEM**

Delivery: **Easy** Standard

Pins: Ferritic SS | Backflex radius min.: 240 mm

**25.4mm**  
PITCH

Metric Size



### Advantages:

- Heavy duty
- 20% Reduced gap link
- 95% Closed surface

#### SAMPLE BOX

Art.-Nr. **999800**



120 links



pg. 328-329



pg. 141-147



pg. 651>661

Article-Nr.	Ref.	A (Plate Width) mm	Weight kg/m	Max working load (N)	Sideflex radius mm	Material
<b>11510103</b>	<b>LFA 260 M FT K330</b>	83,8	1,75	2000	500	<b>LFA</b>
<b>11510105</b>	<b>LFA 260 M FT K450</b>	114,3	2,30			
<b>11510303</b>	<b>MX 260 M FT K330</b>	83,8	1,75	1600	500	<b>MX</b>
<b>11510305</b>	<b>MX 260 M FT K450</b>	114,3	2,30			
<b>11513003</b>	<b>PFX 260 M FT K330</b>	83,8	1,65	1600	500	<b>PFX</b>
<b>11513005</b>	<b>PFX 260 M FT K450</b>	114,3	2,20			
<b>11511603</b>	<b>DKM 260 M FT K330</b>	83,8	1,75	2000	500	<b>DKM</b>
<b>11511605</b>	<b>DKM 260 M FT K450</b>	114,3	2,30			
<b>11512303</b>	<b>LFA 260 M FT K330</b>	83,8	1,75	2000	500	<b>LFB</b>
<b>11512305</b>	<b>LFA 260 M FT K450</b>	114,3	2,30			

# 260 M FG

Tappeti modulari / Modular belts / Mattenketten

## 260 M FG

Catena curvilinea  
Sideflexing belt/chain / Kurvengängige Mattenkette

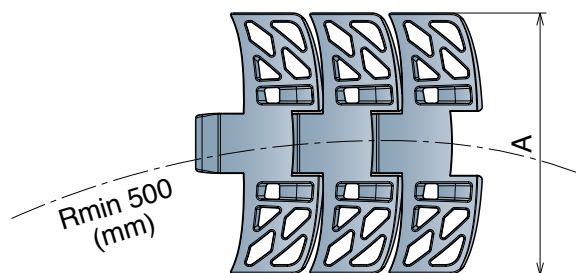
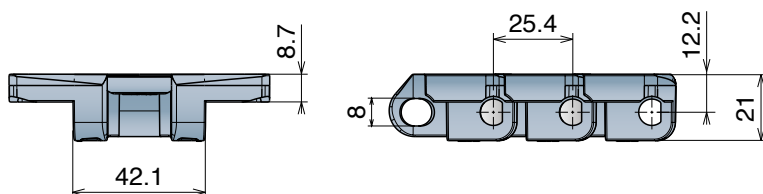
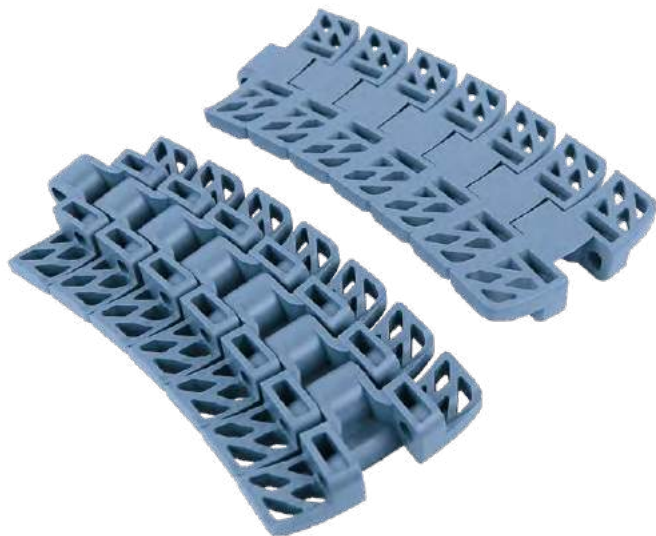
**MAGNETIC SYSTEM**

Delivery: **Easy** **Standard**

Pins: Ferritic SS | Backflex radius min.: 240 mm

**25.4 mm**  
PITCH

Metric Size



10 feet 3.048 m			
120 links	pg. 328-329	pg. 141-147	pg. 651>661

Article-Nr.	Ref.	A (Plate Width) mm	Weight kg/m	Max working load (N)	Sideflex radius mm	Material
11540103	LFA 260 M FG K330	83,8	1,62	2000	500	LFA
11540105	LFA 260 M FG K450	114,3	2,13			
11540303	MX 260 M FG K330	83,8	1,62	1600	500	MX
11540305	MX 260 M FG K450	114,3	2,13			
11543003	PFX 260 M FG K330	83,8	1,52	1600	500	PFX
11543005	PFX 260 M FG K450	114,3	2,03			
11542303	LFB 260 M FG K330	83,8	1,62	2000	500	LFB
11542305	LFB 260 M FG K450	114,3	2,13			

Tappeti modulari / Modular belts / Mattenketten

## 260 TAB

Catena curvilinea  
Sideflexing belt/chain / Kurvengängige Mattenkette

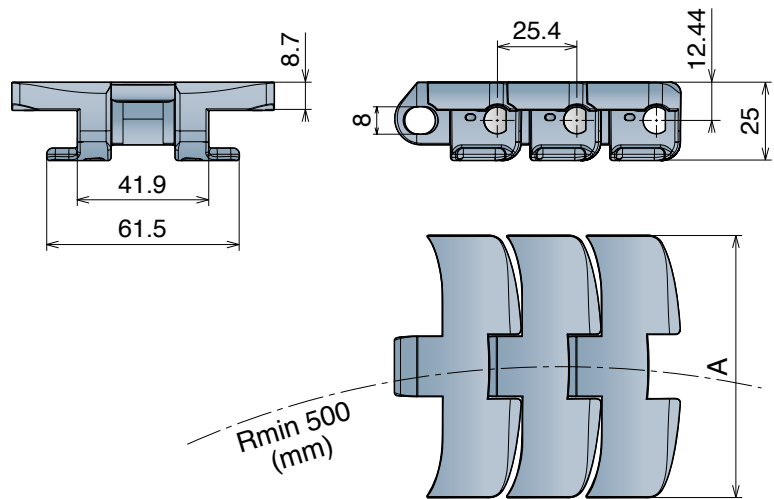
**TAB SYSTEM**

Delivery: **Easy** **Standard**

Pins: Ferritic SS | Backflex radius min.: 240 mm

**25.4mm**  
PITCH

Metric Size



120 links



pg. 328-329



pg. 163



pg. 651>661

Article-Nr.	Ref.	A (Plate Width) mm	Weight kg/m	Max working load (N)	Sideflex radius mm	Material
11520103	LFA 260 TAB K330	83,8	1,85	2000	500	LFA
11520105	LFA 260 TAB K450	114,3	2,00			
11520303	MX 260 TAB K330	83,8	1,85	1600	500	MX
11520305	MX 260 TAB K450	114,3	2,00			
11523003	PFX 260 TAB K330	83,8	1,75	1600	500	PFX
11523005	PFX 260 TAB K450	114,3	1,90			
11521603	DKM 260 TAB K330	83,8	1,85	2000	500	DKM
11521605	DKM 260 TAB K450	114,3	2,00			
11522303	LFB 260 TAB K330	83,8	1,85	2000	500	LFB
11522305	LFB 260 TAB K450	114,3	2,00			

# 261 M FT

Tappeti modulari / Modular belts / Mattenketten

## 261 M FT

Catena curvilinea  
Sideflexing belt/chain / Kurvengängige Mattenkette

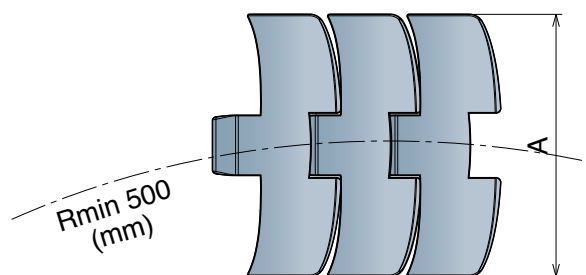
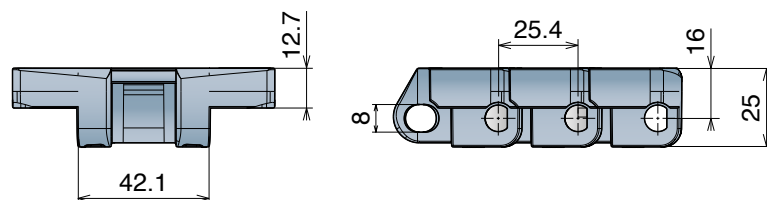
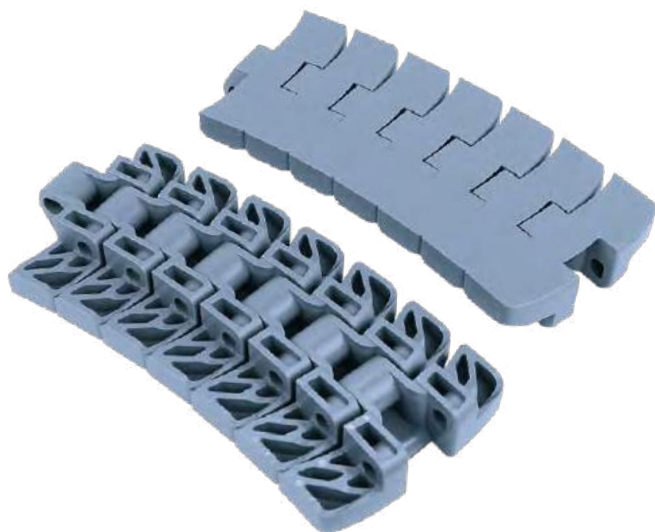
**MAGNETIC SYSTEM**

Delivery: **Easy** **Standard**

Pins: Ferritic SS | Backflex radius min.: 240 mm

**25.4 mm**  
PITCH

Metric Size



 10 feet 3.048 m	 pg. 328-329	 pg. 148-154	 pg. 651>661
120 links			

Article-Nr.	Ref.	A (Plate Width) mm	Weight kg/m	Max working load (N)	Sideflex radius mm	Material
<b>11530103</b>	<b>LFA 261 M FT K330</b>	83,8	2,00	2000	500	<b>LFA</b>
<b>11530105</b>	<b>LFA 261 M FT K450</b>	114,3	2,52			
<b>11530303</b>	<b>MX 261 M FT K330</b>	83,8	2,00	1600	500	<b>MX</b>
<b>11530305</b>	<b>MX 261 M FT K450</b>	114,3	2,52			
<b>11533003</b>	<b>PFX 261 M FT K330</b>	83,8	2,00	1600	500	<b>PFX</b>
<b>11533005</b>	<b>PFX 261 M FT K450</b>	114,3	2,52			
<b>11531603</b>	<b>DKM 261 M FT K330</b>	83,8	2,00	2000	500	<b>DKM</b>
<b>11531605</b>	<b>DKM 261 M FT K450</b>	114,3	2,52			
<b>11531703</b>	<b>MWX 261 M FT K330</b>	83,8	2,16	2000	500	<b>MWX</b>
<b>11531705</b>	<b>MWX 261 M FT K450</b>	114,3	2,70			

Tappeti modulari / Modular belts / Mattenketten

## 261 TAB

Catena curvilinea  
Sideflexing belt/chain / Kurvengängige Mattenkette

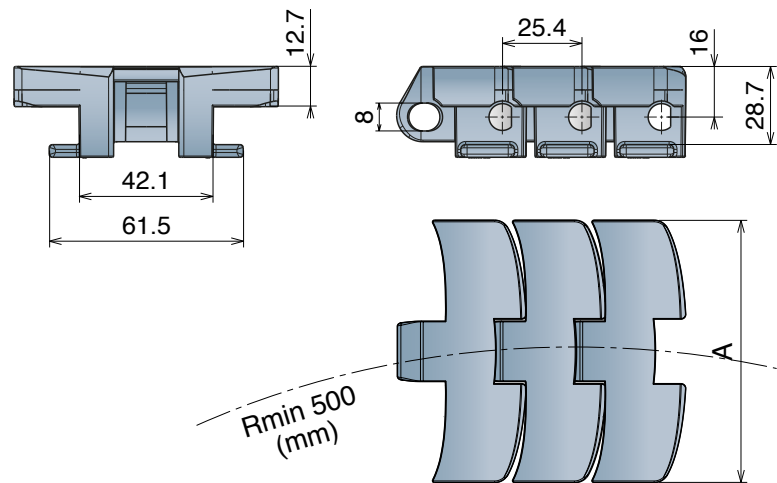
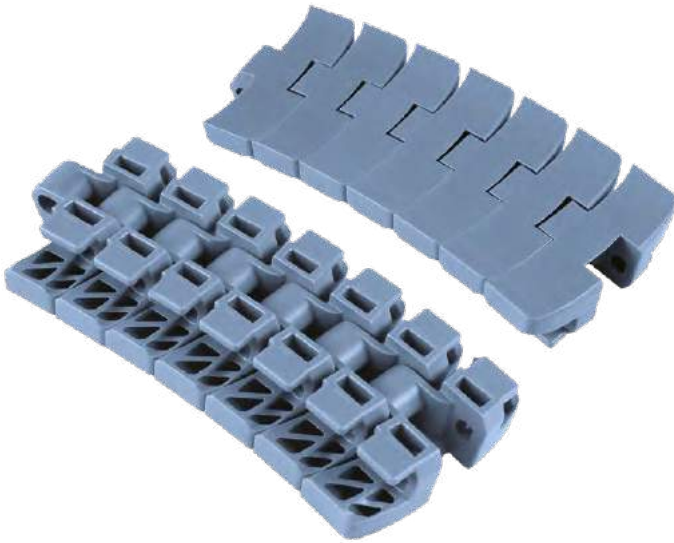
**TAB SYSTEM**

Delivery: **Easy** Standard

Pins: Ferritic SS | Backflex radius min.: 240 mm

**25.4 mm**  
PITCH

Metric Size

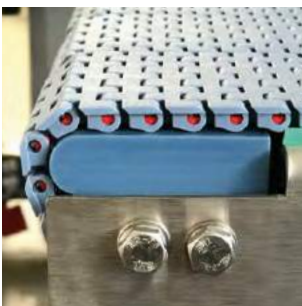
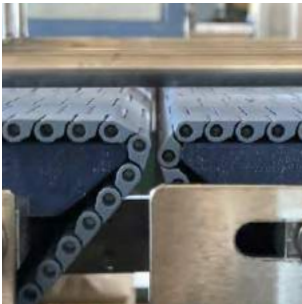


Article-Nr.	Ref.	A (Plate Width) mm	Weight kg/m	Max working load (N)	Sideflex radius mm	Material
11900103	LFA 261 TAB K330	83,8	2,00	2000	500	LFA
11900105	LFA 261 TAB K450	114,3	2,52			
11900303	MX 261 TAB K330	83,8	2,00	1600	500	MX
11900305	MX 261 TAB K450	114,3	2,52			
11903003	PFX 261 TAB K330	83,8	2,00	1600	500	PFX
11903005	PFX 261 TAB K450	114,3	2,52			
11901603	DKM 261 TAB K330	83,8	2,00	2000	500	DKM
11901605	DKM 261 TAB K450	114,3	2,52			
11901703	MWX 261 TAB K330	83,8	2,16	2000	500	MWX
11901705	MWX 261 TAB K450	114,3	2,70			

## NoseBars

RANGE EXTENSION

Movex NoseBars improve the efficiency of your production line.



Small products are becoming a challenge when they have to be transferred from head-to-tail, especially when they don't have a flat base like cans and petaloid bottles.

This is becoming even more critical when the line capacity is pushed to the limit and speeds or operating hours could compromise the required efficiency.

**Movex NoseBars are the best solution for a combination of short transfer and high performance.**

Moreover, they will let your line:

- Running with limited maintenance
- Exceeding in performances
- Achieving high speeds and loads

Paying specific attention during the development as well as during the automated production, together with our constant quality control checks, we have reached these features which can be reflected to all Movex products.

Movex NoseBars are suitable for all applications and conditions. Made from super-performance **BluLub®**, for a reduced coefficient of friction, the smallest gaps are reached between the belts to assure a smooth and precise transfer.

Movex NoseBars are available in three different versions: standard, with rollers and with bearings. Specific the executions with rollers and bearings are ideal for high speed and/or high load applications.

Less friction, longer lifetime, less belt elongation and less maintenance are facts which makes the Movex NoseBars reliable and longlasting products.

Find out the best combination for your application with our modular belts and NoseBars in the selection chart at page 272.

### **Blulub®**

*Do you know what it is?*

All Movex NoseBars are made with a compound developed by Movex, the **Blulub®**, a special high-performance material which contains the latest generation of solid lubricants.

The use of products made in **Blulub®** is designed for applications with limited lubrication, higher speeds and/or higher loads.

**Blulub®** requires less energy and with its lower coefficient of friction, improves the product stability and wear life of modular belts.

### **One piece**

**Custom made NoseBar, supplied in a single piece.**

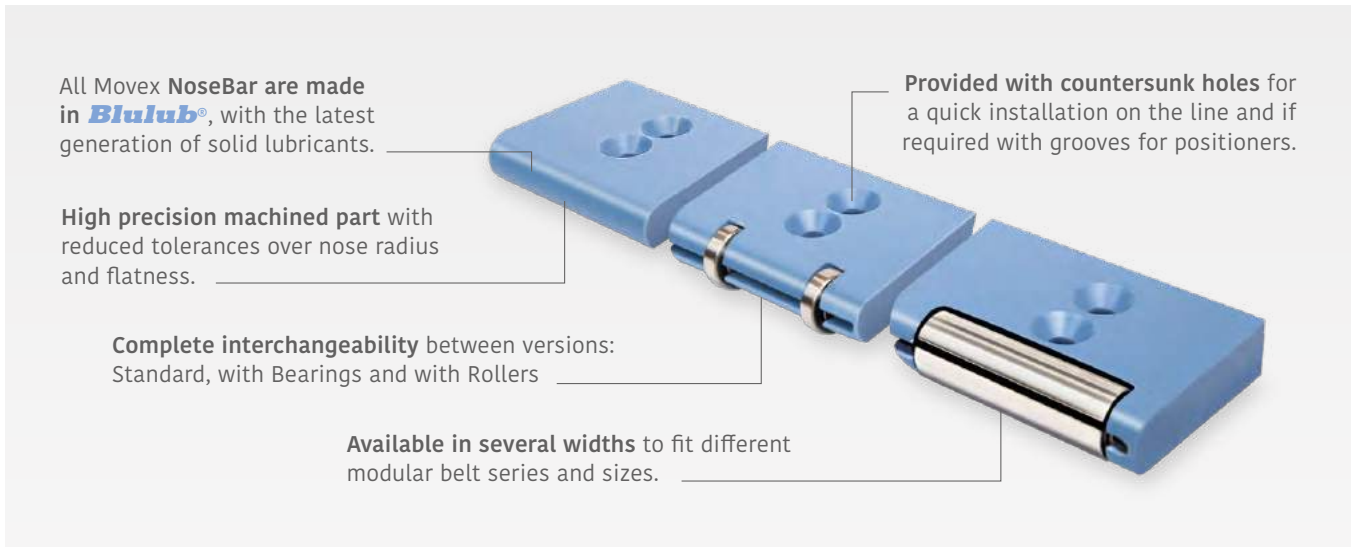
**One piece** is the patented system from Movex that reduces the required conveyor maintenance time drastically.

**One piece** is very quick to install and easy to clean!

More info at page 282>284

PATENTED





All Movex NoseBar are made in **Blulub®**, with the latest generation of solid lubricants.

High precision machined part with reduced tolerances over nose radius and flatness.

Complete interchangeability between versions: Standard, with Bearings and with Rollers

Available in several widths to fit different modular belt series and sizes.

Provided with countersunk holes for a quick installation on the line and if required with grooves for positioners.

## Three different options, fully interchangeable:



### Standard

GENERAL APPLICATIONS

Static NoseBars with unique properties due the special Movex *BluLub®* compound are the ideal choice for any type of application, help improving the line efficiency, reducing dust and the frequency of maintenance.

- Available diameters: 6 / 19 / 22 mm
- Available also with grooves for positioners
- Can be machined to width, according your needs



### with Bearings

HIGH-SPEED APPLICATIONS

Dynamic NoseBars with Bearings help improving the line efficiency and grant a longer life compared to traditional ones, minimizing the coefficient of friction and generating less wear. The rotating chrome steel bearings create an improved situation specific for high-speed applications.

- Available diameters: 19 / 22 mm
- Available also with grooves for positioners
- Can be machined to width, according your needs




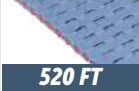
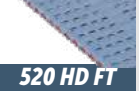

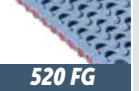





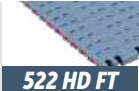





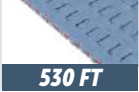


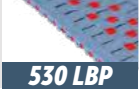
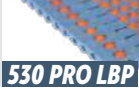
### with Rollers

HIGH-LOAD APPLICATIONS

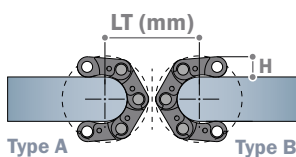
Dynamic NoseBars with Rollers and bearings are long-lasting component that increase the efficiency of the processing line. Thanks to its sturdy stainless steel rollers, they are also the ideal choice for heavy load applications or high abrasive working conditions like dusts, liquids, etc.

- Available diameter: 19 mm
- Available also with grooves for positioners (only for 521 FT)
- Can be machined to width, according your needs

## NoseBar selection and Transfer lengths

Movex modular belts				Belt Pitch (mm)	Nosebar Ø (mm)	STANDARD	WITH BEARINGS	WITH ROLLERS
				8	6	Pag 273	NOT APPLICABLE	NOT APPLICABLE
   				12,7	19	Pag 273	Pag 277	Pag 280
   								
				12,7	19	Pag 274	Pag 277	Pag 280
 				12,7	19	Pag 274	Pag 278	Pag 281
   				15	19	Pag 273	Pag 277	Pag 280
  				15	19	Pag 275	Pag 278	Pag 281
				15	19	Pag 275	Pag 279	NOT APPLICABLE
				15	19	Pag 276	Pag 279	NOT APPLICABLE

Standard and with bearings NoseBars are also available with a diameter of 22mm, contact your sales representative for more info.



		Modular belt - Type B													
		510 FT	520 HD FT	520 FG	521 FT	522 HD FT	525 HD FT	525 HD FG	530 FT	520 GT	525 HD GT	530 LBP	530 PRO LBP	520 PRO LBP	520 LBP
Modular belt - Type A	510 FT - H 6mm	22	31	31	31	31	31	31	31	33	33	33,5	33,5	38,5	41,5
	520 HD FT - H 8,7mm	31	40	40	40	40	40	40	40	42	42	43	43	48	51
	520 FG - H 8,7mm	31	40	40	40	40	40	40	40	42	42	43	43	48	51
	521 FT - H 8,7mm	31	40	40	40	40	40	40	40	42	42	43	43	48	51
	522 HD FT - H 8,7mm	31	40	40	40	40	40	40	40	42	42	43	43	48	51
	525 HD FT - H 8,7mm	31	40	40	40	40	40	40	40	42	42	43	43	48	51
	525 HD FG - H 8,7mm	31	40	40	40	40	40	40	40	42	42	43	43	48	51
	530 FT - H 8,7mm	31	40	40	40	40	40	40	40	42	42	43	43	48	51
	520 GT - H 10,7mm	33	42	42	42	42	42	42	42	44	44	45	45	50	53
	525 HD GT - H 10,7mm	33	42	42	42	42	42	42	42	44	44	45	45	50	53
	530 LBP - H 12,2mm	33,5	43	43	43	43	43	43	43	45	45	45	45	50	53
	530 PRO LBP - H 12,2mm	33,5	43	43	43	43	43	43	43	45	45	45	45	50	53
	520 PRO LBP - H 18mm	38,5	48	48	48	48	48	48	48	50	50	50	50	55	58
	520 LBP - H 20,7mm	41,5	51	51	51	51	51	51	51	53	53	53	53	58	61



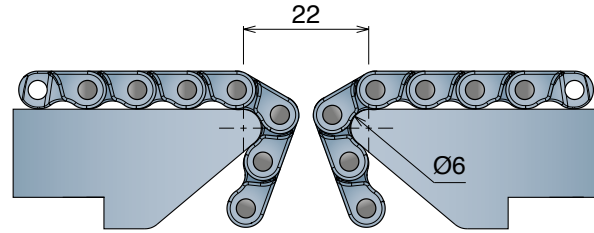
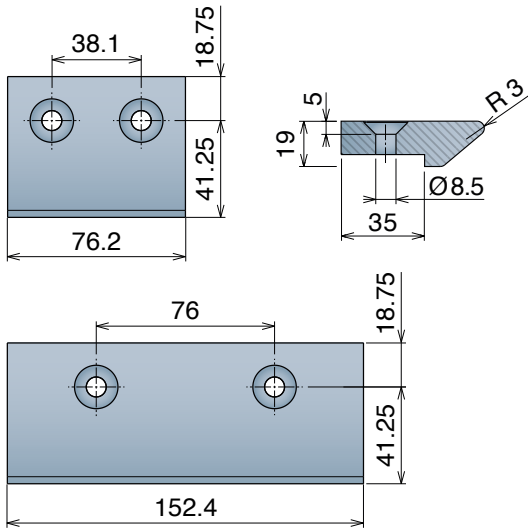
## NoseBars for 510 Series

Delivery: **Easy** **Standard**

Article-Nr. K (mm)

**22818** 76,2 (3')

**22819** 152,4 (6')



## NoseBars for 520/525 Series

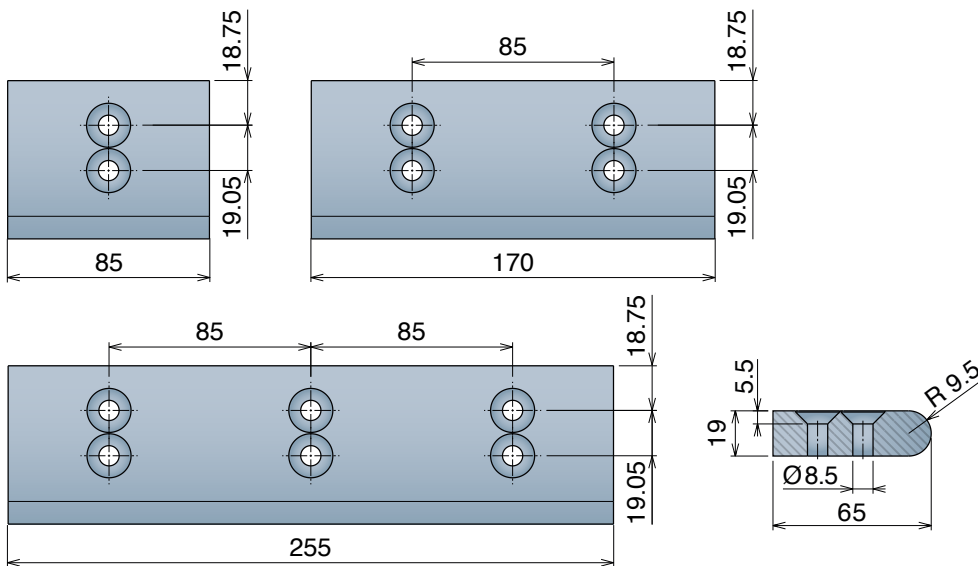
Delivery: **Easy** **Standard**

Article-Nr. K (mm)

**22801** 85

**22802** 170

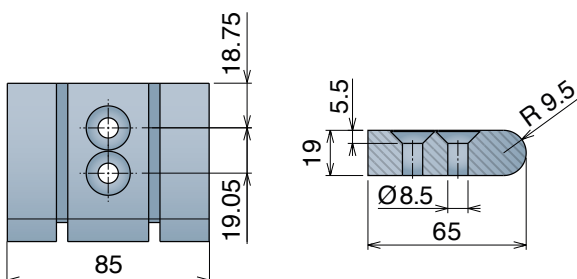
**22803** 255



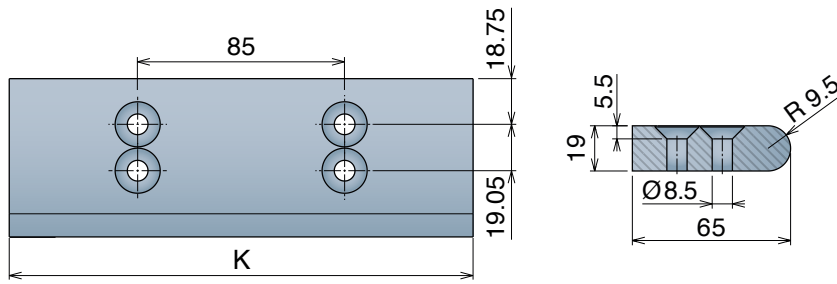
### Version B - With 1 Positioner | Version C - With 2 Positioners

Article-Nr. K (mm)

**22807** 85

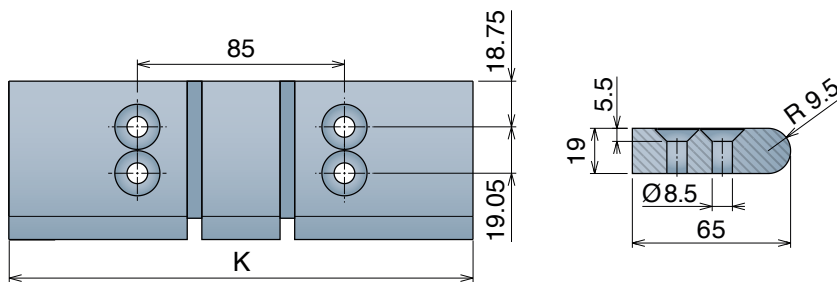


## NoseBars for 521 Series



Article-Nr.	K (mm)
22846	114,3 (4.5')
22840	190,5 (7.5')

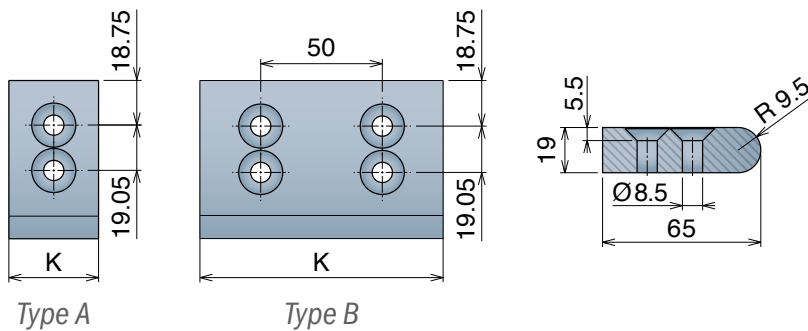
### Version B - With 1 Positioner | Version C - With 2 Positioners



Article-Nr.	K (mm)
22837	114,3 (4.5')
22843	190,5 (7.5')

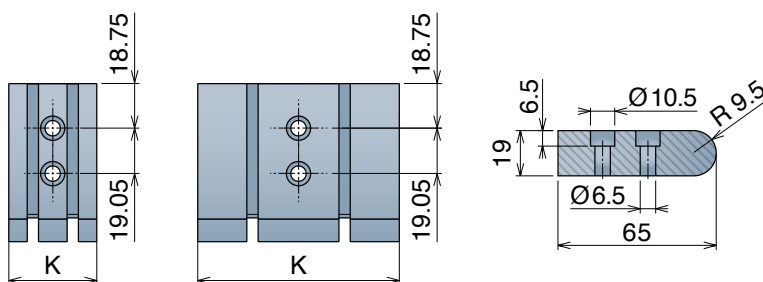
## NoseBars for 522 HD Series

Delivery: **Easy** Standard



Article-Nr.	K (mm)	Type
22820	29	A
22821	34	A
22822	37	A
22823	51 (2')	A
22808	76,2 (3')	A
22824	100	B

### Version B - With 1 Positioner | Version C - With 2 Positioners



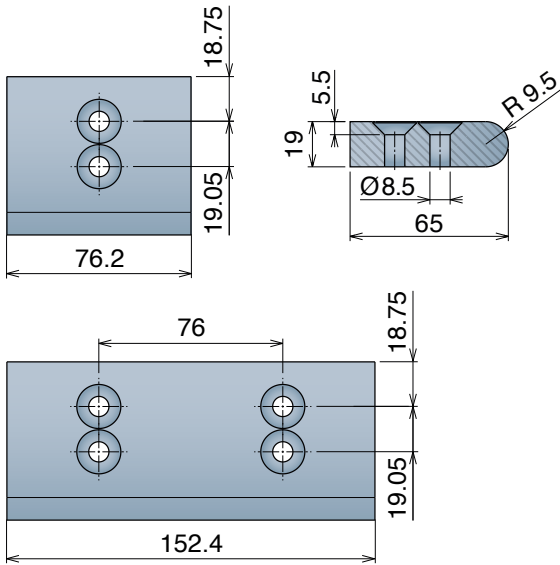
Article-Nr.	K (mm)
22820P	29
22821P	34
22822P	37
22823P	51 (2')
22808P	76,2 (3')

## NoseBars for 530 Series

(LBP version excluded)

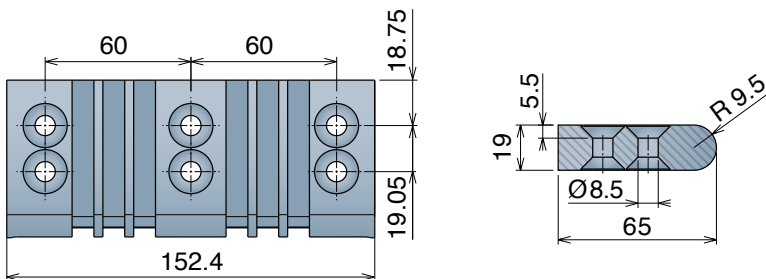
Delivery: **Easy** **Standard**

Article-Nr.	K (mm)
22808	76,2 (3')
22809	152,4 (6')



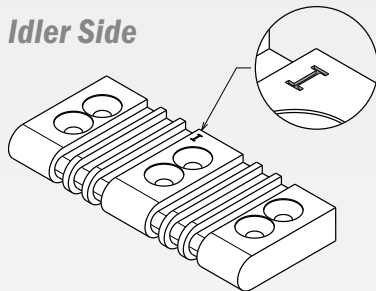
## NoseBar for 530 LBP

Article-Nr.	K (mm)
22867	152,4 (6')

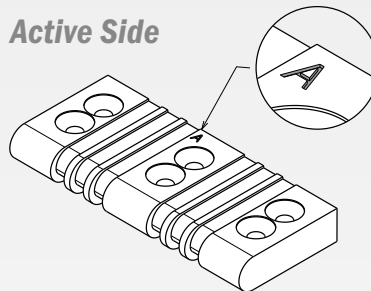


### How to use Movex 530 LBP double-face Nosebar

**Idler Side**

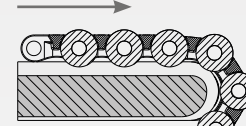


**Active Side**



Movex 530 LBP Nosebars are special Nosebars, specific to optimize the characteristics of this particular belt. It can be installed in two different ways: **idler side** and **active side**, depending if you want to obtain the accumulation or acceleration effects of the goods. In both modalities the same Nosebar is used: it simply needs to be installed on one side rather than the other. One face of the Nosebar is set up for the accumulation function and the opposite one for the acceleration function.

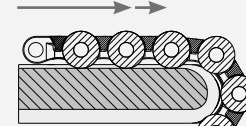
$V = X$



**Idler System (sectional view)**

The nosebar allows the belts rollers to remain raised above the surface, free to roll.

$V = 2X$

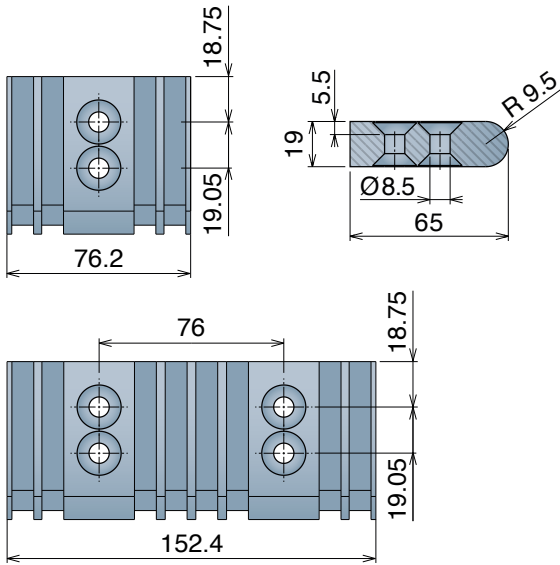


**Active System (sectional view)**

The nosebar allows the belt rollers to touch the surface, increasing the speed of the goods.

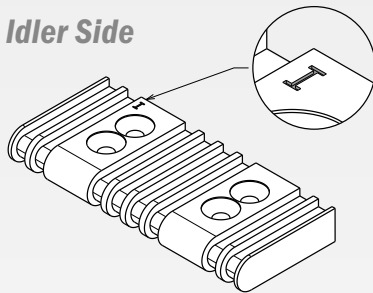
## NoseBar for 530 PRO LBP

Article-Nr.	K (mm)
22865	76,2 (3')
22866	152,4 (6')

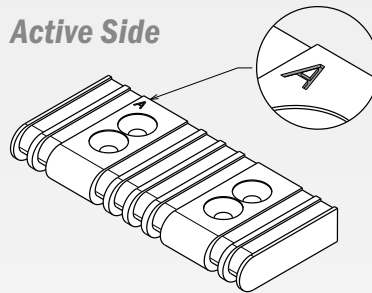


### How to use Movex 530 Pro LBP double-face Nosebar

**Idler Side**

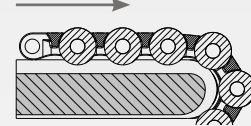


**Active Side**



**Movex 530 Pro LBP Nosebars are special Nosebars, specific to optimize the characteristics of this particular belt.** It can be installed in two different ways: **idler side** and **active side**, depending if you want to obtain the accumulation or acceleration effects of the goods. In both modalities the same Nosebar is used: it simply needs to be installed on one side rather than the other. One face of the Nosebar is set up for the accumulation function and the opposite one for the acceleration function.

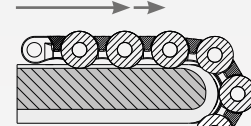
**V = X**



**Idler System (sectional view)**

The nosebar allows the belts rollers to remain raised above the surface, free to roll.

**V = 2X**

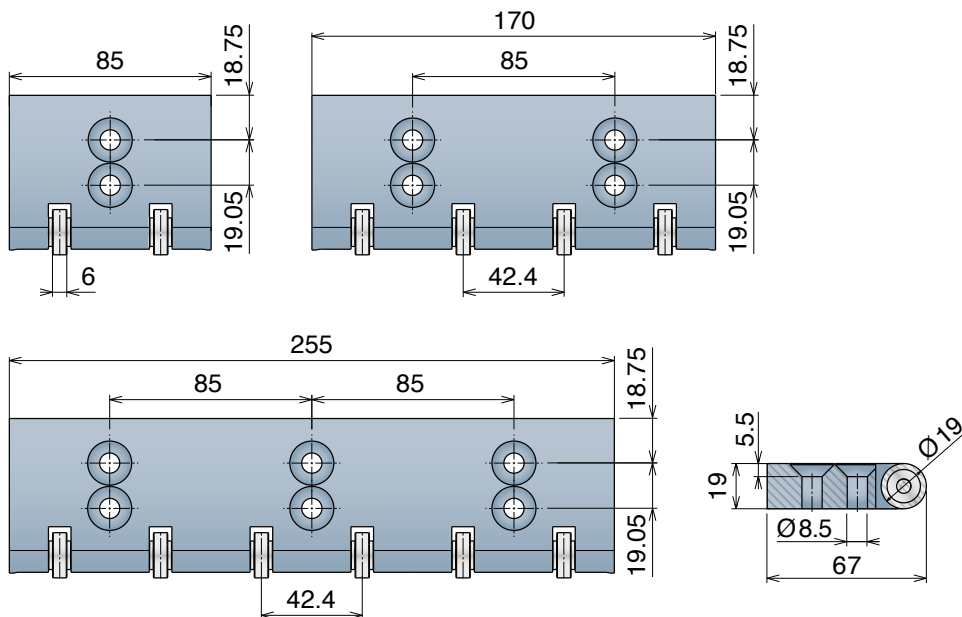


**Active System (sectional view)**

The nosebar allows the belt rollers to touch the surface, increasing the speed of the goods.

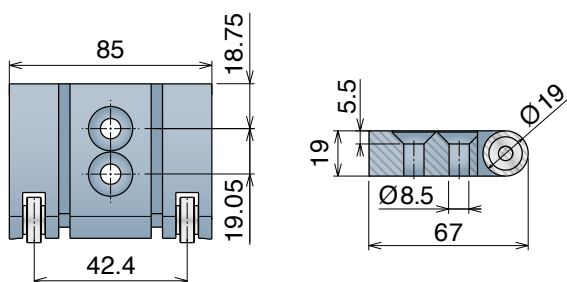
## NoseBars with Bearings for 520/525 Series

Delivery: **Easy** Standard



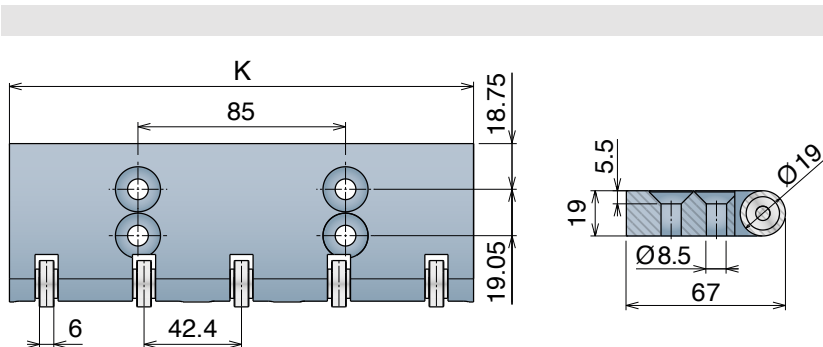
Article-Nr.	K (mm)
22811	85
22812	170
22813	255

Version B - With 1 Positioner | Version C - With 2 Positioners



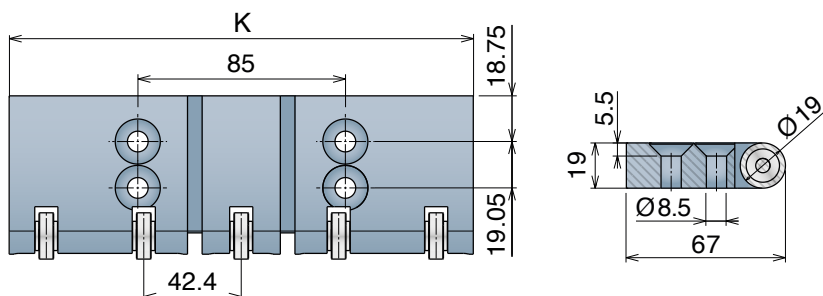
Article-Nr.	K (mm)
22817	85

## NoseBars with Bearings for 521 Series



Article-Nr.	K (mm)
22848C	114,3 (4.5')
22842C	190,5 (7.5')

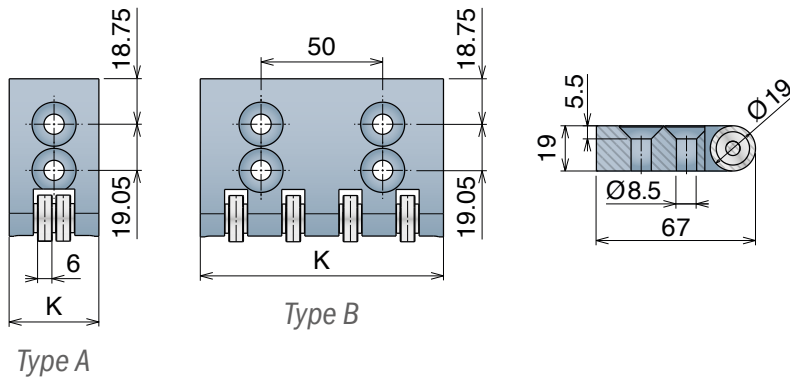
Version B - With 1 Positioner | Version C - With 2 Positioners



Article-Nr.	K (mm)
22838C	114,3 (4.5')
22845C	190,5 (7.5')

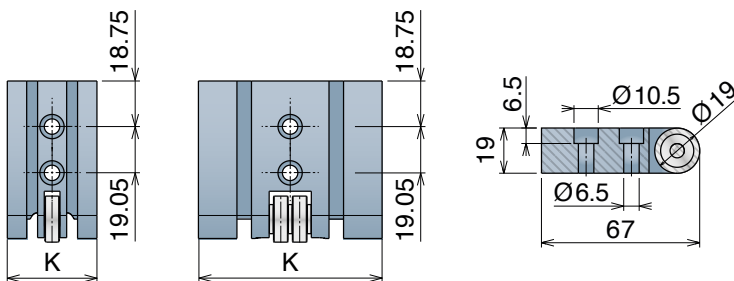
## NoseBars with Bearings for 522 HD Series

Delivery: **Easy** Standard



Article-Nr.	K (mm)	Type
22850	29	A
22851	34	A
22852	37	A
22853	51 (2')	A
22861	76,2 (3')	A
22854	100	B

Version B - With 1 Positioner | Version C - With 2 Positioners

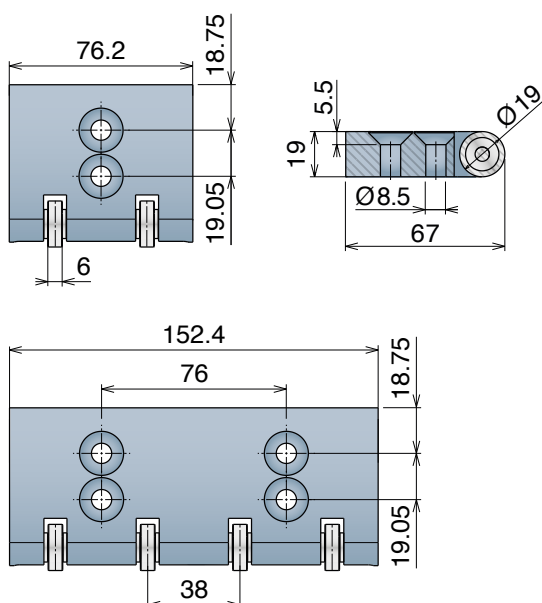


Article-Nr.	K (mm)
22850P	29
22851P	34
22852P	37
22853P	51 (2')
22861P	76,2 (3')

## NoseBars with Bearings for 530 Series

(LBP version excluded)

Delivery: **Easy** Standard

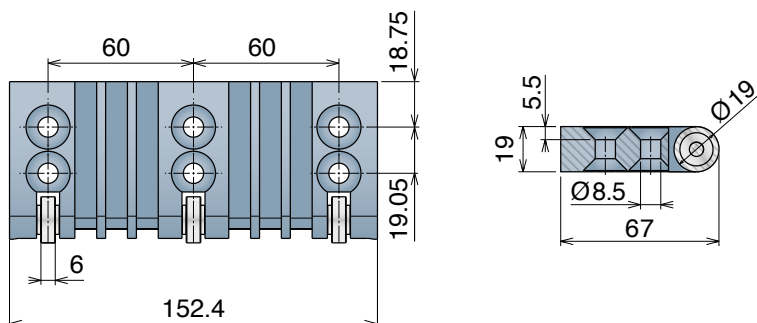


Article-Nr.	K (mm)
22861	76,2 (3')
22862	152,4 (6')

## NoseBar with Bearings for 530 LBP

Article-Nr.	K (mm)
-------------	--------

22868	152,4 (6')
-------	------------



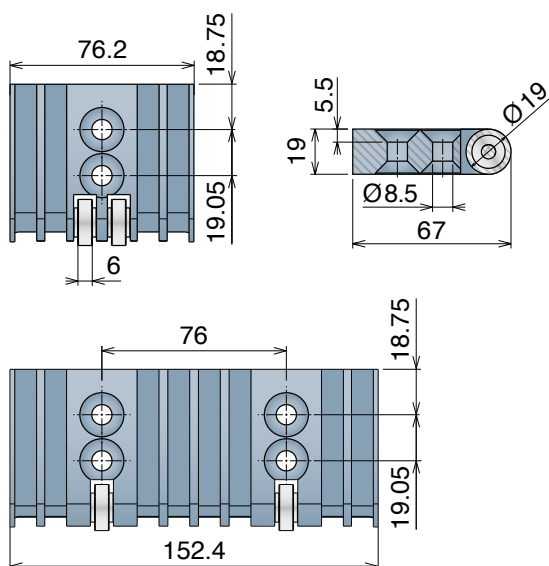
## NoseBars with Bearings for 530 PRO LBP

Delivery: **Easy** Standard

Article-Nr.	K (mm)
-------------	--------

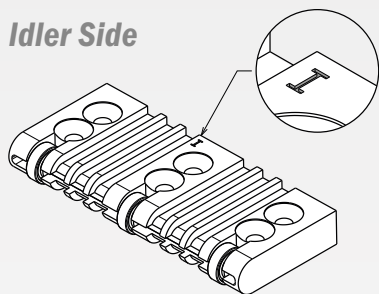
22863	76,2 (3')
-------	-----------

22864	152,4 (6')
-------	------------

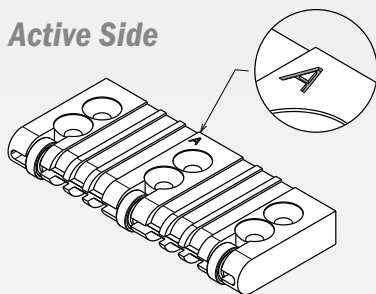


### How to use Movex 530 LBP and Pro LBP double-face Nosebar

#### Idler Side

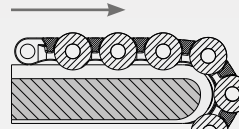


#### Active Side



Movex 530 LBP and Pro LBP Nosebars are special Nosebars, specific to optimize the characteristics of this particular belt. It can be installed in two different ways: **idler side** and **active side**, depending if you want to obtain the accumulation or acceleration effects of the goods. In both modalities the same Nosebar is used: it simply needs to be installed on one side rather than the other. One face of the Nosebar is set up for the accumulation function and the opposite one for the acceleration function.

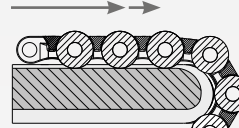
$$V = X$$



#### Idler System (sectional view)

The nosebar allows the belts rollers to remain raised above the surface, free to roll.

$$V = 2X$$



#### Active System (sectional view)

The nosebar allows the belt rollers to touch the surface, increasing the speed of the goods.

# NoseBars with Rollers

NoseBars / NoseBars / NoseBars

Materiale / Material / Materialien:

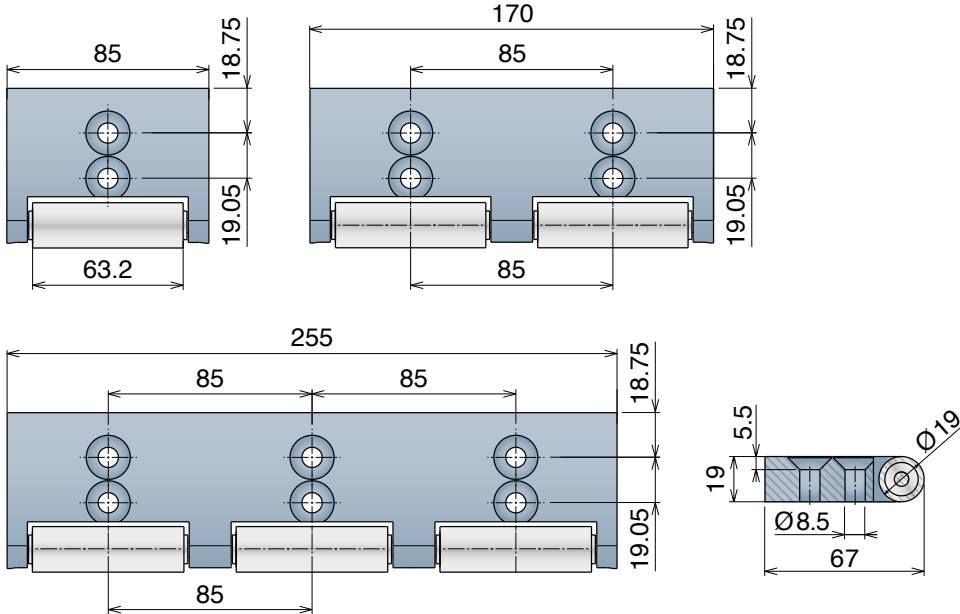
**BluLub** Cuscinetti: Acciaio al cromo / Bearings: Chrome steel / Lagereinsätze: Chrom-Stahl

Rulli: Acciaio inox / Rollers: Stainless steel / Rollen: Edelstahl

## NoseBars with Rollers for 520/525 HD Series

Delivery: **Easy** Standard

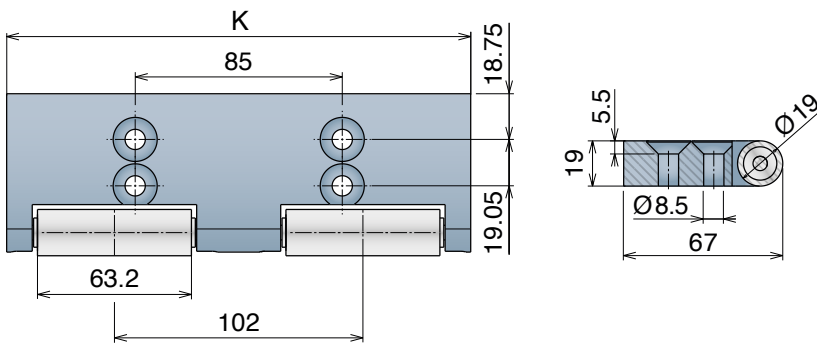
Article-Nr. K (mm)



22814	85
22815	170
22816	255

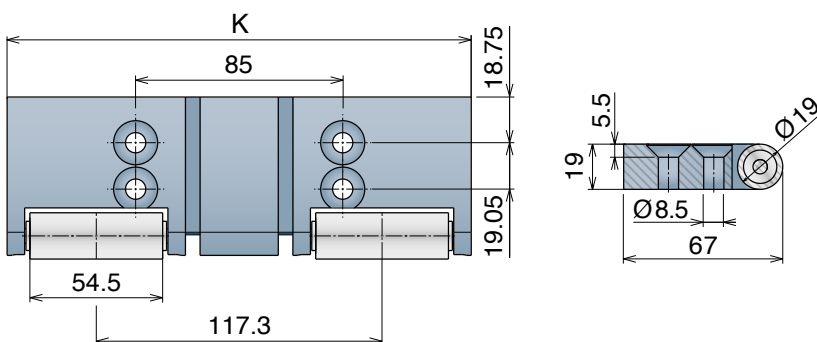
## NoseBars with Rollers for 521 Series

Article-Nr. K (mm)



22847B	114,3 (4.5')
22841B	190,5 (7.5')

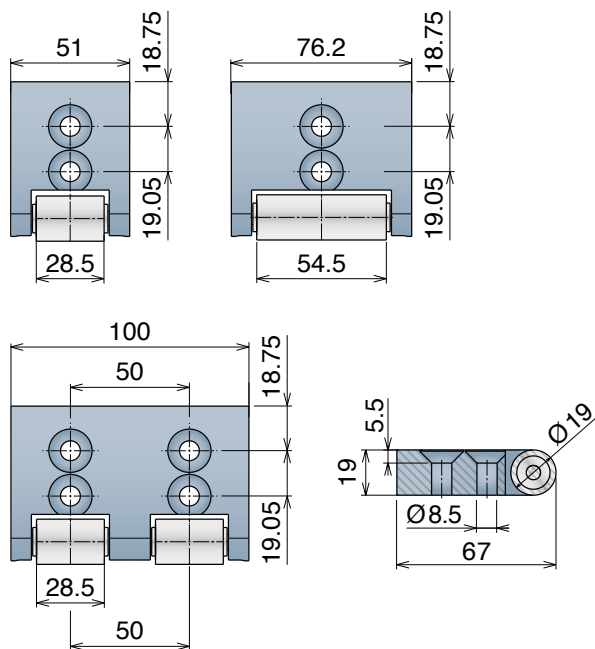
Version B - With 1 Positioner | Version C - With 2 Positioners



Article-Nr.	K (mm)
22844B	190.5 (7.5')



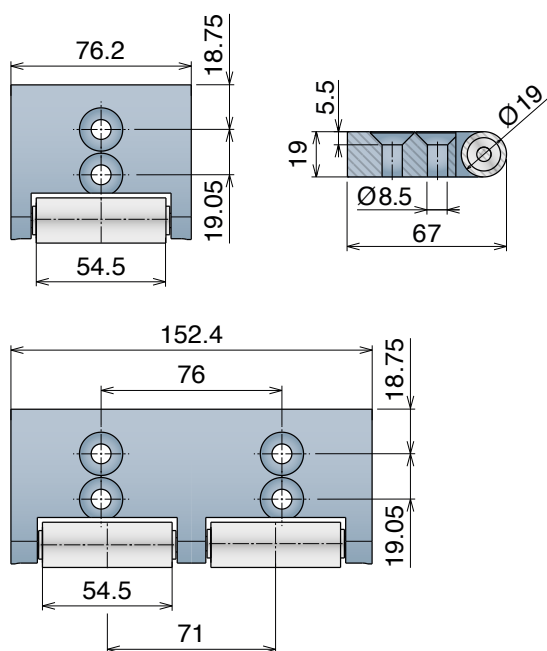
## NoseBars with Rollers for 522 HD Series



Article-Nr.	K (mm)
<b>22823B</b>	51 (2')
<b>22808B</b>	76,2 (3')
<b>22824B</b>	100

## NoseBars with Rollers for 530 Series

(LBP version excluded)



Article-Nr.	K (mm)
<b>22808B</b>	76,2 (3')
<b>22809B</b>	152,4 (6')

## One piece Standard

RANGE EXTENSION

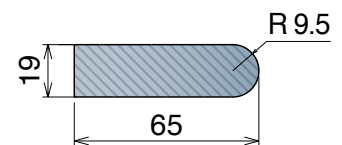
PATENTED

IDEAL FOR GENERAL APPLICATIONS

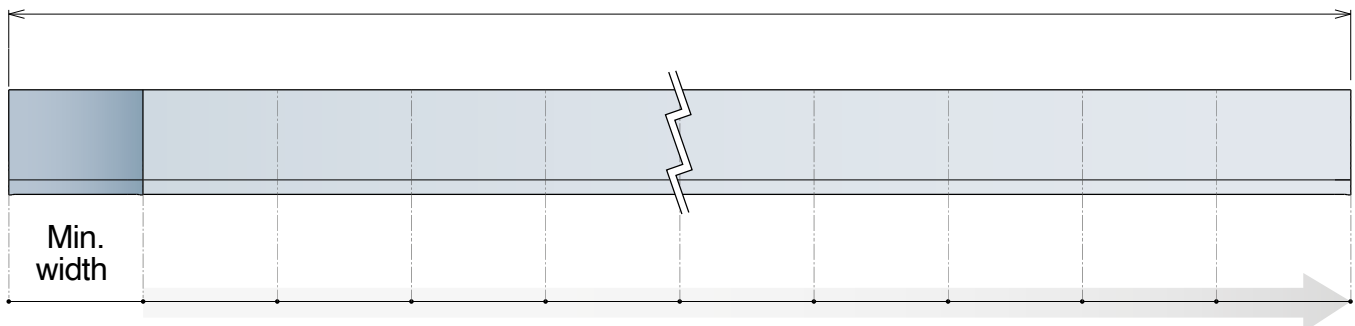
The custom made Movex Nosebars supplied in a single piece to perfectly match your needs.



**One piece** is a machined-to-width nosebar patented by Movex that greatly reduces the time necessary for the conveyor maintenance: being a single piece, of the required width, it is quick to install, easy to clean and offer a better level of hygiene.



Max width available = 1500 mm



### 520/525 Series

Min width:  
85 mm

Article-Nr.	K (mm)
2280425	425
2280510	510
2280595	595
2280680	680
2280765	765
2280850	850

### 522 HD Series

Min width:  
50 mm

Article-Nr.	K (mm)
2280200	200
2280250	250
2280300	300
2280350	350
2280400	400
2280450	450

### 530 Series

Min width:  
3 inch

Article-Nr.	K (mm)
2280457	457,2
2280533	533,4
2280610	609,6
2280686	685,8
2280762	762
2280838	838,2

Available different widths and with holes on request.

### Advantages:

- Single piece
- Improved strength
- Less fixing point
- Fast maintenance
- Hygienical concept
- Easy clean
- Easy to install
- Reduced friction

## One piece with Bearings

RANGE EXTENSION

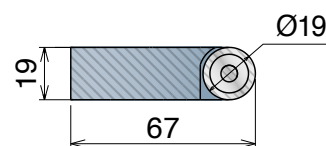
PATENTED

IDEAL FOR HIGH-SPEED APPLICATIONS

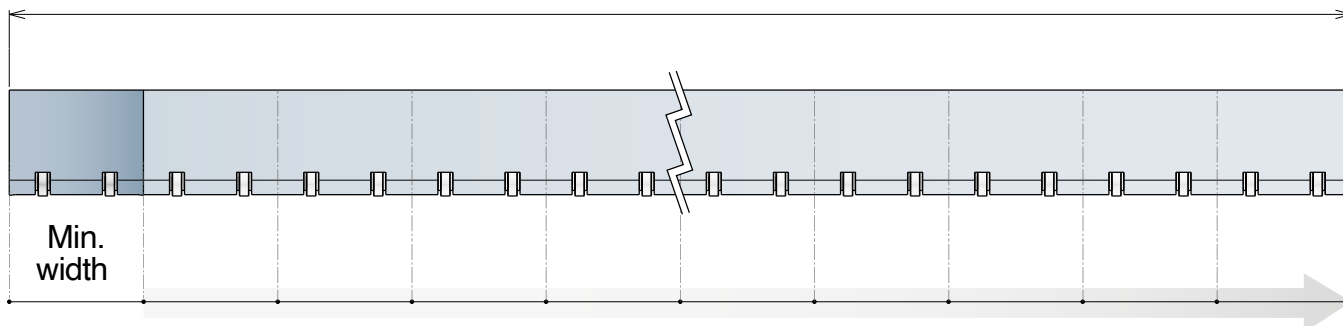
The custom made Movex Nosebars supplied in a single piece to perfectly match your needs.



One piece with Bearings is a machined-to-width nosebar patented by Movex that greatly reduces the time necessary for the conveyor maintenance: being a single piece with bearings, of the required width, it is quick to install, easy to clean, offers a better level of hygiene and is ideal for high-speed applications.



Max width available = 1500 mm



### 520/525 Series

Min width:  
85 mm

Article-Nr.	K (mm)
2280425C	425
2280510C	510
2280595C	595
2280680C	680
2280765C	765
2280850C	850

### 522 HD Series

Min width:  
50 mm

Article-Nr.	K (mm)
2280200C	200
2280250C	250
2280300C	300
2280350C	350
2280400C	400
2280450C	450

### 530 Series

Min width:  
3 inch

Article-Nr.	K (mm)
2280457C	457,2
2280533C	533,4
2280610C	609,6
2280686C	685,8
2280762C	762
2280838C	838,2

Available different widths and with holes on request.

### Advantages:

- Single piece
- Less fixing point
- Hygienical concept
- Easy to install
- Improved strength
- Fast maintenance
- Easy clean
- Reduced friction

# One piece with Rollers

NoseBars / NoseBars / NoseBars

• Materiale / Material / Materialien: **BluLub**  
 Cuscinetti: Acciaio al cromo / Bearings: Chrome steel /  
 Lagereinsätze: Chrom-Stahl  
 Rulli: Acciaio inox / Rollers: Stainless steel / Rollen: Edelstahl

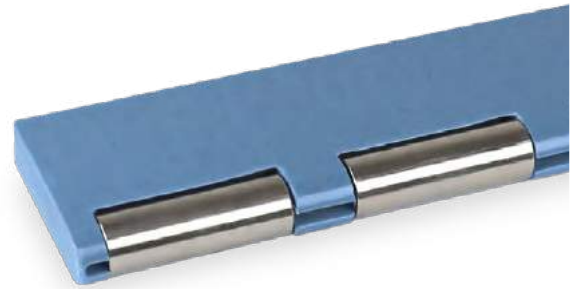
## One piece with Rollers

RANGE EXTENSION

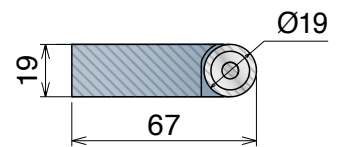
PATENTED

IDEAL FOR HIGH-LOAD APPLICATIONS

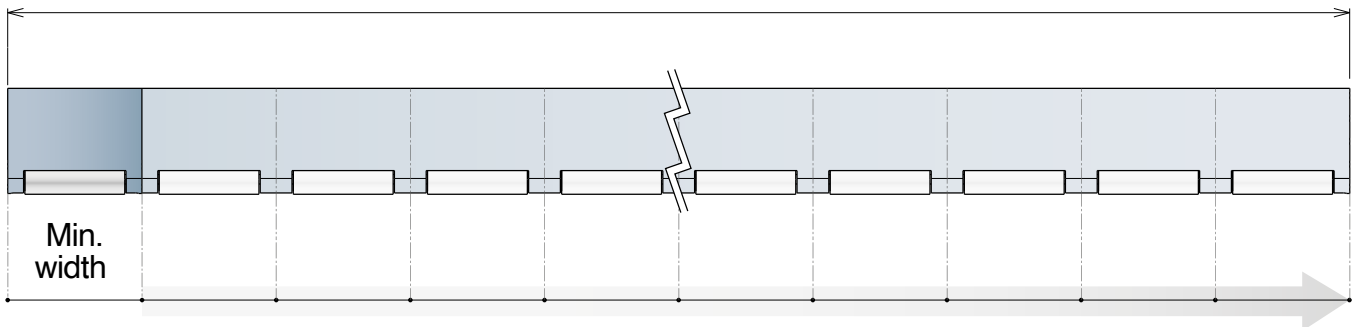
The custom made Movex Nosebars supplied in a single piece to perfectly match your needs.



One piece with Rollers and bearings is a machined-to-width nosebar patented by Movex that greatly reduces the time necessary for the conveyor maintenance: being a single piece with Rollers, of the required width, it is quick to install, easy to clean, offers a better level of hygiene and is ideal for heavy-load applications.



Max width available = 1500 mm



### 520/525 Series

Min width: 85 mm

Article-Nr.	K (mm)
2280425B	425
2280510B	510
2280595B	595
2280680B	680
2280765B	765
2280850B	850

### 522 HD Series

Min width: 50 mm

Article-Nr.	K (mm)
2280200B	200
2280250B	250
2280300B	300
2280350B	350
2280400B	400
2280450B	450

### 530 Series

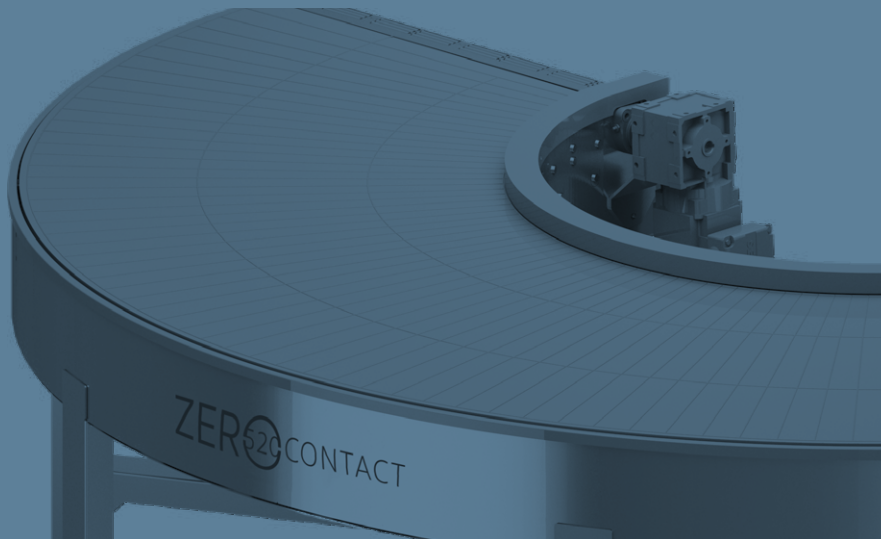
Min width: 3 inch

Article-Nr.	K (mm)
2280457B	457,2
2280533B	533,4
2280610B	609,6
2280686B	685,8
2280762B	762
2280838B	838,2

Available different widths and with holes on request.

### Advantages:

- Single piece
- Improved strength
- Less fixing point
- Fast maintenance
- Hygienical concept
- Easy clean
- Easy to install
- Reduced friction




**ZEROCONTACT**  
CURVE CONVEYOR

Pag 286/287



**ZEROPROCONTACT**  
CURVE CONVEYOR

Pag 288/289



**ZEROPROCONTACT**  
CURVE CONVEYOR  
TWO TRACKS  
VERSION

Pag 290/291



**ZEROCONTACT**  
CURVE CONVEYOR **S**

Pag 292/293

**Accessories - Floor support**



**ZEROCONTACT**  
STANDARD, **PRO** & **S**

Pag 294

**Accessories - Gearmotors**



**ZEROCONTACT**  
STANDARD, **PRO** & **S**

Pag 295



**ZEROCATP**  
ACTIVE TRANSFER PLATE

Pag 296/297



**ZEROPROATP**  
ACTIVE TRANSFER PLATE

Pag 298/300



**553 SORTER+**  
MULTIDIRECTIONAL CONVEYOR

Pag 301 > 304

**Accessories - Floor support and Gearmotors**



**553 SORTER+**  
FOR ALL VERSIONS AVAILABLE

Pag 305

**Accessories - Photocells and guides**



**553 SORTER+**  
FOR ALL VERSIONS AVAILABLE

Pag 306

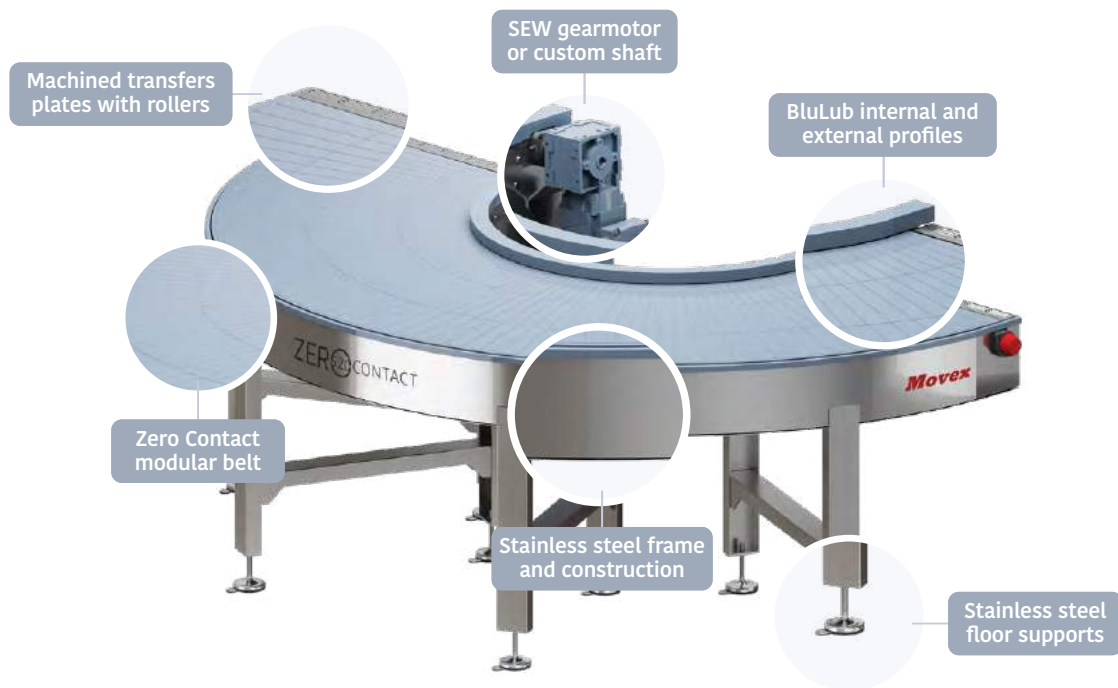


**QUOTE MODULES**  
FOR ALL MODULAR SOLUTIONS

Pag 307 > 310

# ZERO CONTACT

## CURVE CONVEYOR



### Product use

Zero Contact™ curve conveyor is available in different widths with a closed-top surface capable of handling a variety of package sizes, types and configurations including delicate products and applications found on shrink wrappers.

Zero Contact™ is designed to be used for the transport of various sized parts, is suitable for food and beverage industry thanks to the FDA approval, and helps reducing energy consumption and improving the line efficiency. It can be easily connected to existing layout.



**INNER RADIUS** 600mm ÷ 2000mm

**BELT WIDTH** 200mm ÷ 1600mm

**MATERIAL OF MODULES** Acetal (POM)

**COLOR OF MODULES** Pigeon Blue (RAL 5014)

**PINS** PBT White

**PIN LOCK** Clips

**FRAME** Stainless steel

**TEMPERATURE RANGE**

Dry: -40°C÷80°C Wet: -40°C ÷65°C

(Dry:-40°F ÷ 176°F Wet: -40°F ÷ 149°F)

**MAX. WORKING LOAD**

13.500 N/m belt width

**CURVE ANGLE** 15° ÷ 360°

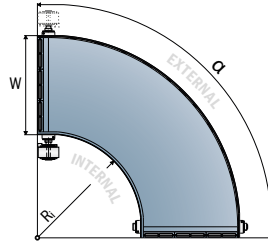
**OPEN AREA** 0%

Delivery: **Easy** Standard

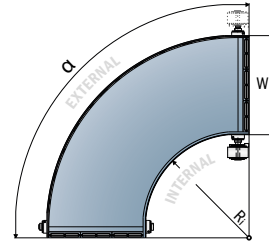
## CURVES RANGE

Angle 90°

Left Version **CS**



**CD** Right Version



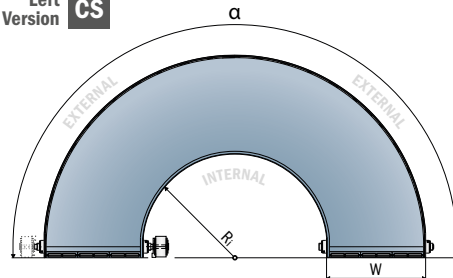
Width	Version	R <sub>i</sub> 600mm	R <sub>i</sub> 800mm	R <sub>i</sub> 1000mm	R <sub>i</sub> 1200mm	R <sub>i</sub> 1400mm	R <sub>i</sub> 1600mm	R <sub>i</sub> 1800mm	R <sub>i</sub> 2000mm
200mm	RIGHT	W02R06G090-CD	W02R08G090-CD	W02R10G090-CD	W02R12G090-CD	W02R14G090-CD	W02R16G090-CD	W02R18G090-CD	W02R20G090-CD
	LEFT	W02R06G090-CS	W02R08G090-CS	W02R10G090-CS	W02R12G090-CS	W02R14G090-CS	W02R16G090-CS	W02R18G090-CS	W02R20G090-CS
400mm	RIGHT	W04R06G090-CD	W04R08G090-CD	W04R10G090-CD	W04R12G090-CD	W04R14G090-CD	W04R16G090-CD	W04R18G090-CD	-
	LEFT	W04R06G090-CS	W04R08G090-CS	W04R10G090-CS	W04R12G090-CS	W04R14G090-CS	W04R16G090-CS	W04R18G090-CS	-
600mm	RIGHT	W06R06G090-CD	W06R08G090-CD	W06R10G090-CD	W06R12G090-CD	W06R14G090-CD	W06R16G090-CD	-	-
	LEFT	W06R06G090-CS	W06R08G090-CS	W06R10G090-CS	W06R12G090-CS	W06R14G090-CS	W06R16G090-CS	-	-
800mm	RIGHT	W08R06G090-CD	W08R08G090-CD	W08R10G090-CD	W08R12G090-CD	W08R14G090-CD	-	-	-
	LEFT	W08R06G090-CS	W08R08G090-CS	W08R10G090-CS	W08R12G090-CS	W08R14G090-CS	-	-	-
1000mm	RIGHT	W10R06G090-CD	W10R08G090-CD	W10R10G090-CD	W10R12G090-CD	-	-	-	-
	LEFT	W10R06G090-CS	W10R08G090-CS	W10R10G090-CS	W10R12G090-CS	-	-	-	-
1200mm	RIGHT	W12R06G090-CD	W12R08G090-CD	W12R10G090-CD	-	-	-	-	-
	LEFT	W12R06G090-CS	W12R08G090-CS	W12R10G090-CS	-	-	-	-	-
1400mm	RIGHT	W14R06G090-CD	W14R08G090-CD	-	-	-	-	-	-
	LEFT	W14R06G090-CS	W14R08G090-CS	-	-	-	-	-	-
1600mm	RIGHT	W16R06G090-CD	-	-	-	-	-	-	-
	LEFT	W16R06G090-CS	-	-	-	-	-	-	-

These codes mean complete curve, except floor supports and gearmotor, if you need to include them please see page 294/295.

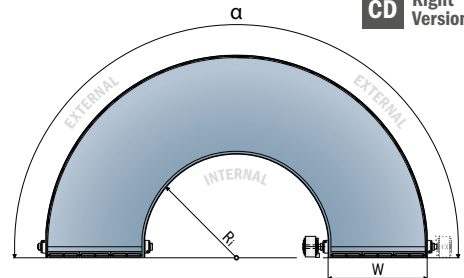
## CURVES RANGE

Angle 180°

Left Version **CS**



**CD** Right Version



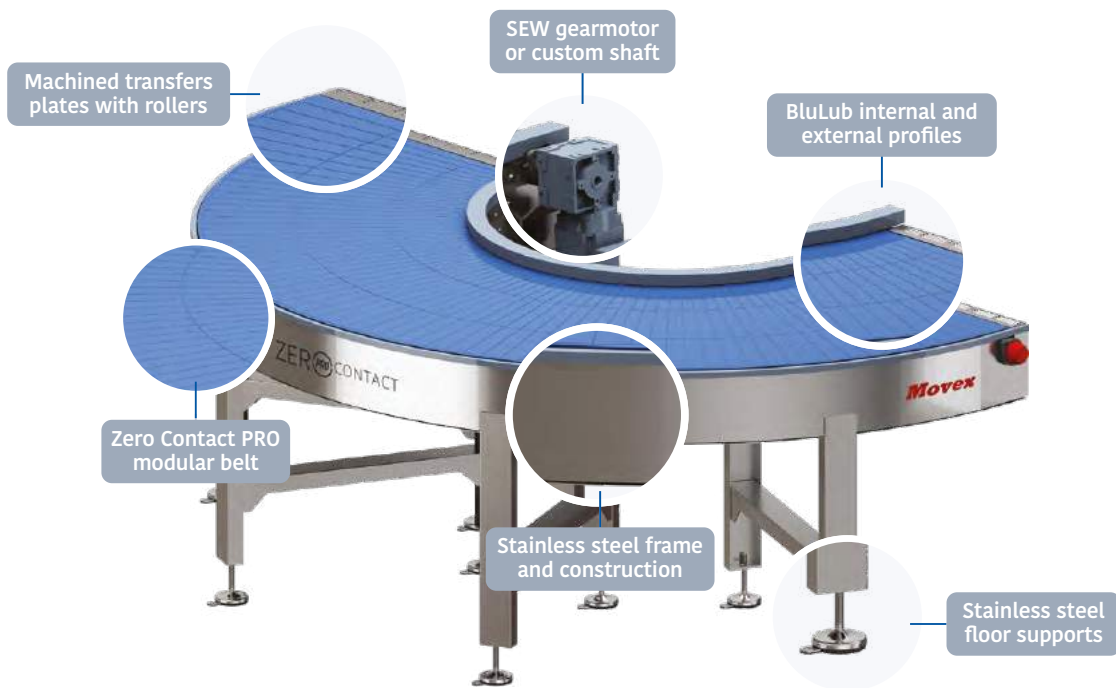
Width	Version	R <sub>i</sub> 600mm	R <sub>i</sub> 800mm	R <sub>i</sub> 1000mm	R <sub>i</sub> 1200mm	R <sub>i</sub> 1400mm	R <sub>i</sub> 1600mm	R <sub>i</sub> 1800mm	R <sub>i</sub> 2000mm
200mm	RIGHT	W02R06G180-CD	W02R08G180-CD	W02R10G180-CD	W02R12G180-CD	W02R14G180-CD	W02R16G180-CD	W02R18G180-CD	W02R20G180-CD
	LEFT	W02R06G180-CS	W02R08G180-CS	W02R10G180-CS	W02R12G180-CS	W02R14G180-CS	W02R16G180-CS	W02R18G180-CS	W02R20G180-CS
400mm	RIGHT	W04R06G180-CD	W04R08G180-CD	W04R10G180-CD	W04R12G180-CD	W04R14G180-CD	W04R16G180-CD	W04R18G180-CD	-
	LEFT	W04R06G180-CS	W04R08G180-CS	W04R10G180-CS	W04R12G180-CS	W04R14G180-CS	W04R16G180-CS	W04R18G180-CS	-
600mm	RIGHT	W06R06G180-CD	W06R08G180-CD	W06R10G180-CD	W06R12G180-CD	W06R14G180-CD	W06R16G180-CD	-	-
	LEFT	W06R06G180-CS	W06R08G180-CS	W06R10G180-CS	W06R12G180-CS	W06R14G180-CS	W06R16G180-CS	-	-
800mm	RIGHT	W08R06G180-CD	W08R08G180-CD	W08R10G180-CD	W08R12G180-CD	W08R14G180-CD	-	-	-
	LEFT	W08R06G180-CS	W08R08G180-CS	W08R10G180-CS	W08R12G180-CS	W08R14G180-CS	-	-	-
1000mm	RIGHT	W10R06G180-CD	W10R08G180-CD	W10R10G180-CD	W10R12G180-CD	-	-	-	-
	LEFT	W10R06G180-CS	W10R08G180-CS	W10R10G180-CS	W10R12G180-CS	-	-	-	-
1200mm	RIGHT	W12R06G180-CD	W12R08G180-CD	W12R10G180-CD	-	-	-	-	-
	LEFT	W12R06G180-CS	W12R08G180-CS	W12R10G180-CS	-	-	-	-	-
1400mm	RIGHT	W14R06G180-CD	W14R08G180-CD	-	-	-	-	-	-
	LEFT	W14R06G180-CS	W14R08G180-CS	-	-	-	-	-	-
1600mm	RIGHT	W16R06G180-CD	-	-	-	-	-	-	-
	LEFT	W16R06G180-CS	-	-	-	-	-	-	-

These codes mean complete curve, except floor supports and gearmotor, if you need to include them please see page 294/295.

NEW

# ZERO CONTACT PRO

## CURVE CONVEYOR



### Product use

Zero Contact™ PRO is the right choice for heavy duty applications with high abrasive conditions, like sand, salt as well as production of tiles, bricks and cement production or applications where speeds and loads result very high.

Zero Contact™ PRO is designed with different dimension and features, so to guarantee higher performance for hostile environments:



The belt in Polyamide glass fiber reinforced, more resistant to high wear conditions



The rods in stainless steel and fixed by using grub screws guarantee high loads



**INNER RADIUS** 586mm ÷ 1541mm

**BELT WIDTH** 249mm ÷ 1034mm

**MATERIAL OF MODULES** Polyamide glass fiber reinforced (PA)

**COLOR OF MODULES** Dark Pigeon Blue (RAL 5017)

**PINS** Stainless steel

**PIN LOCK** Stainless steel grub screws

**FRAME** Stainless steel

**TEMPERATURE RANGE**

Dry: -30°C ÷ 100°C Wet: n.a.  
(Dry: -22°F ÷ 212°F Wet: n.a.)

**MAX. WORKING LOAD**

19.000 N/m belt width

**CURVE ANGLE** 15° ÷ 360°

**OPEN AREA** 0%

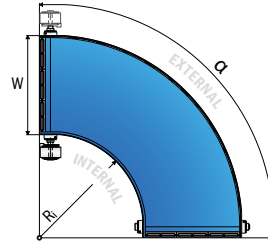


Delivery: **Easy** Standard

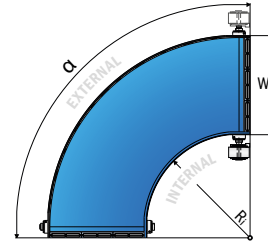
## CURVES RANGE

Angle 90°

Left Version **CS**



**CD** Right Version



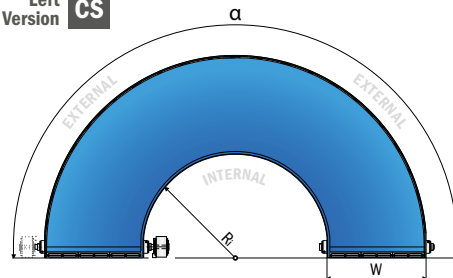
Width	Version	R <sub>i</sub> 586mm	R <sub>i</sub> 756mm	R <sub>i</sub> 1011mm	R <sub>i</sub> 1031mm	R <sub>i</sub> 1116mm	R <sub>i</sub> 1201mm	R <sub>i</sub> 1286mm	R <sub>i</sub> 1456mm	R <sub>i</sub> 1541mm
249mm	RIGHT	-	-	-	W91R94G090-CD	-	-	W91R97G090-CD	-	-
	LEFT	-	-	-	W91R94G090-CS	-	-	W91R97G090-CS	-	-
269mm	RIGHT	-	W92R92G090-CD	W92R93G090-CD	-	-	-	-	-	-
	LEFT	-	W92R92G090-CS	W92R93G090-CS	-	-	-	-	-	-
419mm	RIGHT	-	-	-	W93R94G090-CD	-	W93R96G090-CD	-	W93R98G090-CD	-
	LEFT	-	-	-	W93R94G090-CS	-	W93R96G090-CS	-	W93R98G090-CS	-
439mm	RIGHT	W94R91G090-CD	W94R92G090-CD	W94R93G090-CD	-	-	-	-	-	-
	LEFT	W94R91G090-CS	W94R92G090-CS	W94R93G090-CS	-	-	-	-	-	-
504mm	RIGHT	-	-	-	-	W95R95G090-CD	-	W95R97G090-CD	-	W95R99G090-CD
	LEFT	-	-	-	-	W95R95G090-CS	-	W95R97G090-CS	-	W95R99G090-CS
524mm	RIGHT	W96R91G090-CD	W96R92G090-CD	W96R93G090-CD	-	-	-	-	-	-
	LEFT	W96R91G090-CS	W96R92G090-CS	W96R93G090-CS	-	-	-	-	-	-
864mm	RIGHT	W97R91G090-CD	W97R92G090-CD	W97R93G090-CD	-	-	-	-	-	-
	LEFT	W97R91G090-CS	W97R92G090-CS	W97R93G090-CS	-	-	-	-	-	-
1034mm	RIGHT	W98R91G090-CD	W98R92G090-CD	W98R93G090-CD	-	-	-	-	-	-
	LEFT	W98R91G090-CS	W98R92G090-CS	W98R93G090-CS	-	-	-	-	-	-

These codes mean complete curve, except floor supports and gearmotor, if you need to include them please see page 294/295.

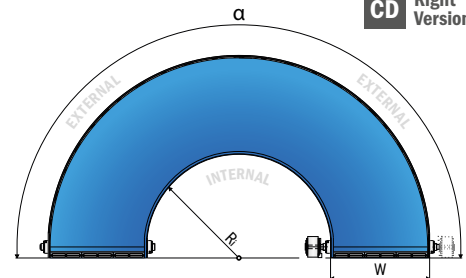
## CURVES RANGE

Angle 180°

Left Version **CS**



**CD** Right Version



Width	Version	R <sub>i</sub> 586mm	R <sub>i</sub> 756mm	R <sub>i</sub> 1011mm	R <sub>i</sub> 1031mm	R <sub>i</sub> 1116mm	R <sub>i</sub> 1201mm	R <sub>i</sub> 1286mm	R <sub>i</sub> 1456mm	R <sub>i</sub> 1541mm
249mm	RIGHT	-	-	-	W91R94G180-CD	-	-	W91R97G180-CD	-	-
	LEFT	-	-	-	W91R94G180-CS	-	-	W91R97G180-CS	-	-
269mm	RIGHT	-	W92R92G180-CD	W92R93G180-CD	-	-	-	-	-	-
	LEFT	-	W92R92G180-CS	W92R93G180-CS	-	-	-	-	-	-
419mm	RIGHT	-	-	-	W93R94G180-CD	-	W93R96G180-CD	-	W93R98G180-CD	-
	LEFT	-	-	-	W93R94G180-CS	-	W93R96G180-CS	-	W93R98G180-CS	-
439mm	RIGHT	W94R91G180-CD	W94R92G180-CD	W94R93G180-CD	-	-	-	-	-	-
	LEFT	W94R91G180-CS	W94R92G180-CS	W94R93G180-CS	-	-	-	-	-	-
504mm	RIGHT	-	-	-	-	W95R95G180-CD	-	W95R97G180-CD	-	W95R99G180-CD
	LEFT	-	-	-	-	W95R95G180-CS	-	W95R97G180-CS	-	W95R99G180-CS
524mm	RIGHT	W96R91G180-CD	W96R92G180-CD	W96R93G180-CD	-	-	-	-	-	-
	LEFT	W96R91G180-CS	W96R92G180-CS	W96R93G180-CS	-	-	-	-	-	-
864mm	RIGHT	W97R91G180-CD	W97R92G180-CD	W97R93G180-CD	-	-	-	-	-	-
	LEFT	W97R91G180-CS	W97R92G180-CS	W97R93G180-CS	-	-	-	-	-	-
1034mm	RIGHT	W98R91G180-CD	W98R92G180-CD	W98R93G180-CD	-	-	-	-	-	-
	LEFT	W98R91G180-CS	W98R92G180-CS	W98R93G180-CS	-	-	-	-	-	-

These codes mean complete curve, except floor supports and gearmotor, if you need to include them please see page 294/295.

NEW

## ZERO CONTACT

### CURVE CONVEYOR

#### TWO TRACKS VERSION

### Product use

Zero Contact™ PRO is available also with “two-tracks” design; by keeping the same advantages of the Zero Contact™ PRO, with the Zero Contact™ PRO “two tracks” the maximum working load can be even higher thanks to the increased number of bearings. Moreover, the two belts can work at different / independent speeds and can be activated independently thanks to the double shaft.

The two belts can also be used for goods acceleration or can be also stopped independently, in case there is a double track infeed conveyor.



Separate belts offers the possibility of different / higher speeds



2 different bearing-tracks guarantee extreme load, even at higher speed



**INNER RADIUS** 586mm ÷ 1011mm

**BELT WIDTH** 524mm ÷ 1034mm

**MATERIAL OF MODULES** Polyamide glass fiber reinforced (PA)

**COLOR OF MODULES** Dark Pigeon Blue (RAL 5017)

**PINS** Stainless steel

**PIN LOCK** Stainless steel grub screws

**FRAME** Stainless steel

**TEMPERATURE RANGE**

Dry: -30°C ÷ 100°C Wet: n.a.  
(Dry: -22°F ÷ 212°F Wet: n.a.)

**MAX. WORKING LOAD**

21.000N/m belt width

**CURVE ANGLE** 15° ÷ 360°

**OPEN AREA** 0%

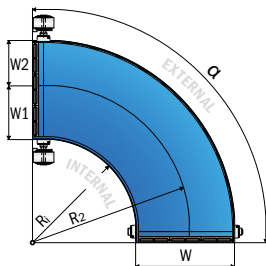
Delivery: **Easy** Standard

## CURVES RANGE

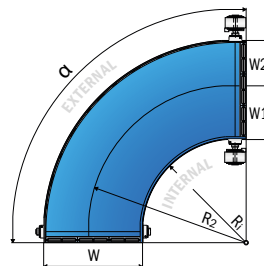
Angle 90°

Double-Shaft

Left Version **CS**



**CD** Right Version



Width	Version	R <sub>i</sub> 586mm	R <sub>i</sub> 756mm	R <sub>i</sub> 1011mm
524mm	RIGHT	-	W96R92G090-CD2	W96R93G090-CD2
	LEFT	-	W96R92G090-CS2	W96R93G090-CS2
864mm	RIGHT	W97R91G090-CD2	W97R92G090-CD2	W97R93G090-CD2
	LEFT	W97R91G090-CS2	W97R92G090-CS2	W97R93G090-CS2
1034mm	RIGHT	W98R91G090-CD2	W98R92G090-CD2	W98R93G090-CD2
	LEFT	W98R91G090-CS2	W98R92G090-CS2	W98R93G090-CS2

CODE	R1 - mm	W1 - mm	R2 - mm	W2 - mm	WTot - mm
W96R92G090-CD2 or CS2	756	269	1031	249	524
W96R93G090-CD2 or CS2	1011	269	1286	249	524
W97R91G090-CD2 or CS2	586	439	1031	419	864
W97R92G090-CD2 or CS2	756	439	1201	419	864
W97R93G090-CD2 or CS2	1011	439	1456	419	864
W98R91G090-CD2 or CS2	586	524	1116	504	1034
W98R92G090-CD2 or CS2	756	524	1286	504	1034
W98R93G090-CD2 or CS2	1011	524	1541	504	1034

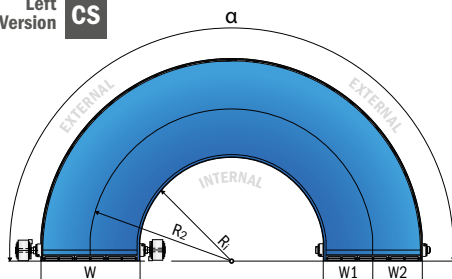
The gap between the two belts is always 6mm. These codes mean complete curve, except floor supports and gearmotors, if you need to include them please see page 294/295.

## CURVES RANGE

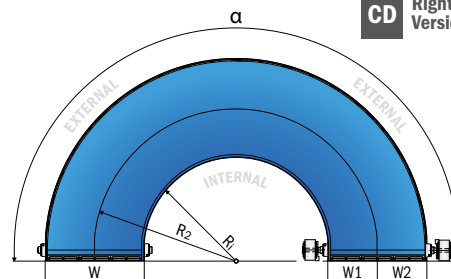
Angle 180°

Double-Shaft

Left Version **CS**



**CD** Right Version



Width	Version	R <sub>i</sub> 586mm	R <sub>i</sub> 756mm	R <sub>i</sub> 1011mm
524mm	RIGHT	-	W96R92G180-CD2	W96R93G180-CD2
	LEFT	-	W96R92G180-CS2	W96R93G180-CS2
864mm	RIGHT	W97R91G180-CD2	W97R92G180-CD2	W97R93G180-CD2
	LEFT	W97R91G180-CS2	W97R92G180-CS2	W97R93G180-CS2
1034mm	RIGHT	W98R91G180-CD2	W98R92G180-CD2	W98R93G180-CD2
	LEFT	W98R91G180-CS2	W98R92G180-CS2	W98R93G180-CS2

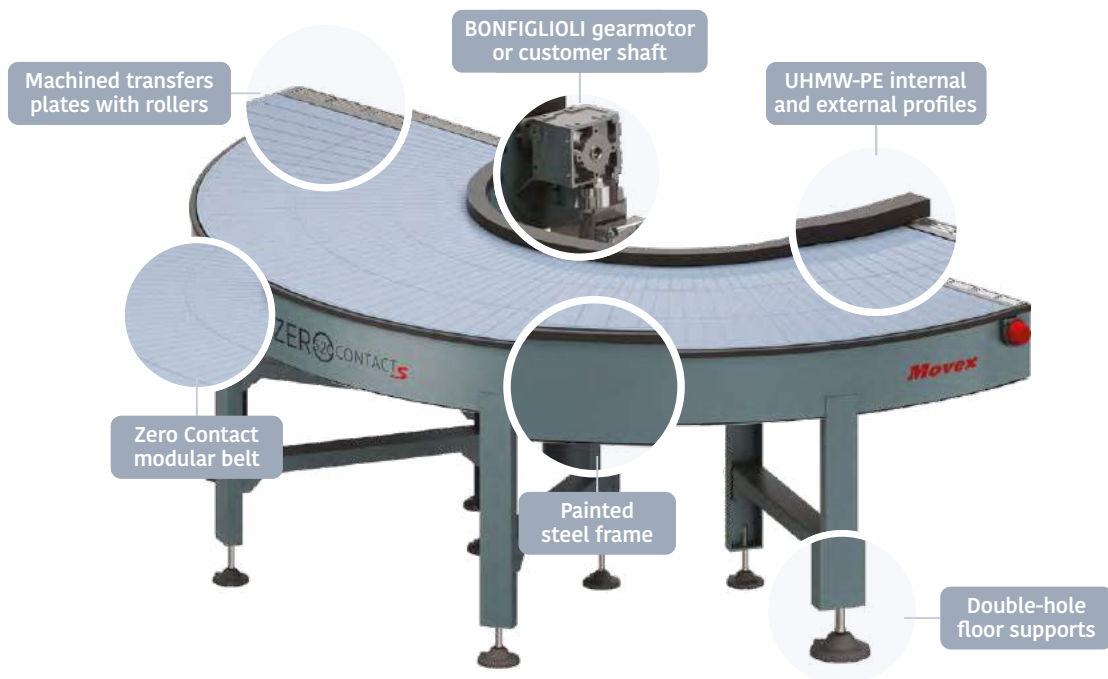
CODE	R1 - mm	W1 - mm	R2 - mm	W2 - mm	WTot - mm
W96R92G090-CD2 or CS2	756	269	1031	249	524
W96R93G090-CD2 or CS2	1011	269	1286	249	524
W97R91G090-CD2 or CS2	586	439	1031	419	864
W97R92G090-CD2 or CS2	756	439	1201	419	864
W97R93G090-CD2 or CS2	1011	439	1456	419	864
W98R91G090-CD2 or CS2	586	524	1116	504	1034
W98R92G090-CD2 or CS2	756	524	1286	504	1034
W98R93G090-CD2 or CS2	1011	524	1541	504	1034

The gap between the two belts is always 6mm. These codes mean complete curve, except floor supports and gearmotors, if you need to include them please see page 294/295.

NEW

# ZERO<sup>520</sup>CONTACT<sup>S</sup>

## CURVE CONVEYOR



### Product use

Zero Contact™ S is ideal for logistic / handling and distribution centers as well as can also be adopted for all types of product transportation, like wood or ceramic applications, dry conditions. Painted steel frames can be customized with every type of color.

Zero Contact™ S can be quickly installed into existing layout and fixed to the floor thanks to the leveling feet with double-floor fixation.



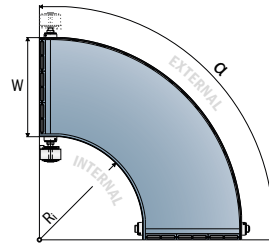
**INNER RADIUS** 600mm ÷ 2000mm  
**BELT WIDTH** 200mm ÷ 1600mm  
**MATERIAL OF MODULES** Acetal (POM)  
**COLOR OF MODULES** Pigeon Blue (RAL 5014)  
**PINS** PBT White  
**PIN LOCK** Clips  
**FRAME** Painted steel RAL 7031 or custom

**TEMPERATURE RANGE**  
Dry: -40°C÷80°C Wet: n.a.  
(Dry:-40°F ÷ 176°F Wet: n.a.)  
**MAX. WORKING LOAD**  
13.500 N/m belt width  
**CURVE ANGLE** 15° ÷ 360°  
**OPEN AREA** 0%

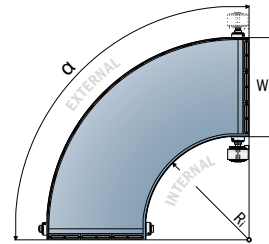
## CURVES RANGE

Angle 90°

Left Version **CS**



**CD** Right Version



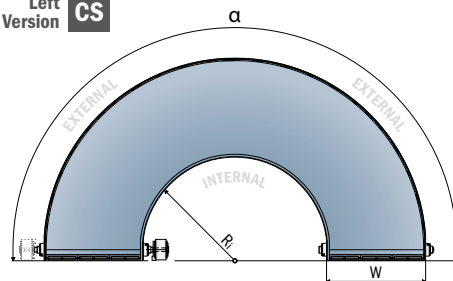
Width	Version	R, 600mm	R, 800mm	R, 1000mm	R, 1200mm	R, 1400mm	R, 1600mm	R, 1800mm	R, 2000mm
200mm	RIGHT	W02R06G090-CDS	W02R08G090-CDS	W02R10G090-CDS	W02R12G090-CDS	W02R14G090-CDS	W02R16G090-CDS	W02R18G090-CDS	W02R20G090-CDS
	LEFT	W02R06G090-CSS	W02R08G090-CSS	W02R10G090-CSS	W02R12G090-CSS	W02R14G090-CSS	W02R16G090-CSS	W02R18G090-CSS	W02R20G090-CSS
400mm	RIGHT	W04R06G090-CDS	W04R08G090-CDS	W04R10G090-CDS	W04R12G090-CDS	W04R14G090-CDS	W04R16G090-CDS	W04R18G090-CDS	-
	LEFT	W04R06G090-CSS	W04R08G090-CSS	W04R10G090-CSS	W04R12G090-CSS	W04R14G090-CSS	W04R16G090-CSS	W04R18G090-CSS	-
600mm	RIGHT	W06R06G090-CDS	W06R08G090-CDS	W06R10G090-CDS	W06R12G090-CDS	W06R14G090-CDS	W06R16G090-CDS	-	-
	LEFT	W06R06G090-CSS	W06R08G090-CSS	W06R10G090-CSS	W06R12G090-CSS	W06R14G090-CSS	W06R16G090-CSS	-	-
800mm	RIGHT	W08R06G090-CDS	W08R08G090-CDS	W08R10G090-CDS	W08R12G090-CDS	W08R14G090-CDS	-	-	-
	LEFT	W08R06G090-CSS	W08R08G090-CSS	W08R10G090-CSS	W08R12G090-CSS	W08R14G090-CSS	-	-	-
1000mm	RIGHT	W10R06G090-CDS	W10R08G090-CDS	W10R10G090-CDS	W10R12G090-CDS	-	-	-	-
	LEFT	W10R06G090-CSS	W10R08G090-CSS	W10R10G090-CSS	W10R12G090-CSS	-	-	-	-
1200mm	RIGHT	W12R06G090-CDS	W12R08G090-CDS	W12R10G090-CDS	-	-	-	-	-
	LEFT	W12R06G090-CSS	W12R08G090-CSS	W12R10G090-CSS	-	-	-	-	-
1400mm	RIGHT	W14R06G090-CDS	W14R08G090-CDS	-	-	-	-	-	-
	LEFT	W14R06G090-CSS	W14R08G090-CSS	-	-	-	-	-	-
1600mm	RIGHT	W16R06G090-CDS	-	-	-	-	-	-	-
	LEFT	W16R06G090-CSS	-	-	-	-	-	-	-

These codes mean complete curve, except floor supports and gearmotor, if you need to include them please see page 294/295.

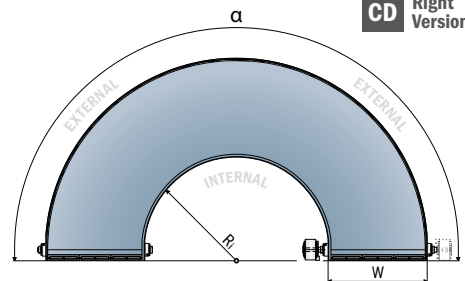
## CURVES RANGE

Angle 180°

Left Version **CS**



**CD** Right Version

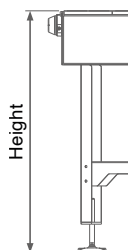


Width	Version	R, 600mm	R, 800mm	R, 1000mm	R, 1200mm	R, 1400mm	R, 1600mm	R, 1800mm	R, 2000mm
200mm	RIGHT	W02R06G180-CDS	W02R08G180-CDS	W02R10G180-CDS	W02R12G180-CDS	W02R14G180-CDS	W02R16G180-CDS	W02R18G180-CDS	W02R20G180-CDS
	LEFT	W02R06G180-CSS	W02R08G180-CSS	W02R10G180-CSS	W02R12G180-CSS	W02R14G180-CSS	W02R16G180-CSS	W02R18G180-CSS	W02R20G180-CSS
400mm	RIGHT	W04R06G180-CDS	W04R08G180-CDS	W04R10G180-CDS	W04R12G180-CDS	W04R14G180-CDS	W04R16G180-CDS	W04R18G180-CDS	-
	LEFT	W04R06G180-CSS	W04R08G180-CSS	W04R10G180-CSS	W04R12G180-CSS	W04R14G180-CSS	W04R16G180-CSS	W04R18G180-CSS	-
600mm	RIGHT	W06R06G180-CDS	W06R08G180-CDS	W06R10G180-CDS	W06R12G180-CDS	W06R14G180-CDS	W06R16G180-CDS	-	-
	LEFT	W06R06G180-CSS	W06R08G180-CSS	W06R10G180-CSS	W06R12G180-CSS	W06R14G180-CSS	W06R16G180-CSS	-	-
800mm	RIGHT	W08R06G180-CDS	W08R08G180-CDS	W08R10G180-CDS	W08R12G180-CDS	W08R14G180-CDS	-	-	-
	LEFT	W08R06G180-CSS	W08R08G180-CSS	W08R10G180-CSS	W08R12G180-CSS	W08R14G180-CSS	-	-	-
1000mm	RIGHT	W10R06G180-CDS	W10R08G180-CDS	W10R10G180-CDS	W10R12G180-CDS	-	-	-	-
	LEFT	W10R06G180-CSS	W10R08G180-CSS	W10R10G180-CSS	W10R12G180-CSS	-	-	-	-
1200mm	RIGHT	W12R06G180-CDS	W12R08G180-CDS	W12R10G180-CDS	-	-	-	-	-
	LEFT	W12R06G180-CSS	W12R08G180-CSS	W12R10G180-CSS	-	-	-	-	-
1400mm	RIGHT	W14R06G180-CDS	W14R08G180-CDS	-	-	-	-	-	-
	LEFT	W14R06G180-CSS	W14R08G180-CSS	-	-	-	-	-	-
1600mm	RIGHT	W16R06G180-CDS	-	-	-	-	-	-	-
	LEFT	W16R06G180-CSS	-	-	-	-	-	-	-

These codes mean complete curve, except floor supports and gearmotor, if you need to include them please see page 294/295.

## Zero Contact™

### Floor support



- Stainless steel AISI 304 or painted steel
- Single or double floor fixation levlers
- Customizable height and specifications



### Floor support for Zero Contact

Article Nr.	Curve Width - mm	Total Height - mm	Angle
W02G090H	200	1000	90°
W04G090H	400	1000	90°
W06G090H	600	1000	90°
W08G090H	800	1000	90°
W10G090H	1000	1000	90°
W12G090H	1200	1000	90°
W14G090H	1400	1000	90°
W16G090H	1600	1000	90°

Article Nr.	Curve Width - mm	Total Height - mm	Angle
W02G180H	200	1000	180°
W04G180H	400	1000	180°
W06G180H	600	1000	180°
W08G180H	800	1000	180°
W10G180H	1000	1000	180°
W12G180H	1200	1000	180°
W14G180H	1400	1000	180°
W16G180H	1600	1000	180°

### Floor support for Zero Contact PRO

Article Nr.	Curve Width - mm	Total Height - mm	Angle
W91G090H	249	1000	90°
W92G090H	269	1000	90°
W93G090H	419	1000	90°
W94G090H	439	1000	90°
W95G090H	504	1000	90°
W96G090H	524	1000	90°
W97G090H	864	1000	90°
W98G090H	1034	1000	90°

Article Nr.	Curve Width - mm	Total Height - mm	Angle
W91G180H	249	1000	180°
W92G180H	269	1000	180°
W93G180H	419	1000	180°
W94G180H	439	1000	180°
W95G180H	504	1000	180°
W96G180H	524	1000	180°
W97G180H	864	1000	180°
W98G180H	1034	1000	180°

### Floor support for Zero Contact S

Article Nr.	Curve Width - mm	Total Height - mm	Angle
W02G090HS	200	1000	90°
W04G090HS	400	1000	90°
W06G090HS	600	1000	90°
W08G090HS	800	1000	90°
W10G090HS	1000	1000	90°
W12G090HS	1200	1000	90°
W14G090HS	1400	1000	90°
W16G090HS	1600	1000	90°

Article Nr.	Curve Width - mm	Total Height - mm	Angle
W02G180HS	200	1000	180°
W04G180HS	400	1000	180°
W06G180HS	600	1000	180°
W08G180HS	800	1000	180°
W10G180HS	1000	1000	180°
W12G180HS	1200	1000	180°
W14G180HS	1400	1000	180°
W16G180HS	1600	1000	180°

For different heights or custom specification please contact your sales representative.

## Zero Contact™

### Gearmotor



#### SEW Gearmotors

- Foodgrade oil
- Power for 90° curve > 0,37kW – type WA30 DRN71M4
- Power for 180° curve > 0,55kW – type WA30 DRN80MK4
- Internal shaft position (no cable supplied)

Article Nr.	Power
<b>M090-S/I</b>	<b>for 90° curve</b>
<b>M180-S/I</b>	<b>for 180° curve</b>

Recommended for **Zero Contact™** and **Zero Contact™ PRO**

For different gearmotors please contact your sales representative



#### BONFIGLIOLI Gearmotors

- Power for 90° curve > 0,37kW – type BN 71B 4 B14 KW 0,37
- Power for 180° curve > 0,55kW – type BN 71C 4 B14 KW 0,55
- Internal shaft position (no cable supplied)

Article Nr.	Power
<b>M090L-S/I</b>	<b>for 90° curve</b>
<b>M180L-S/I</b>	<b>for 180° curve</b>

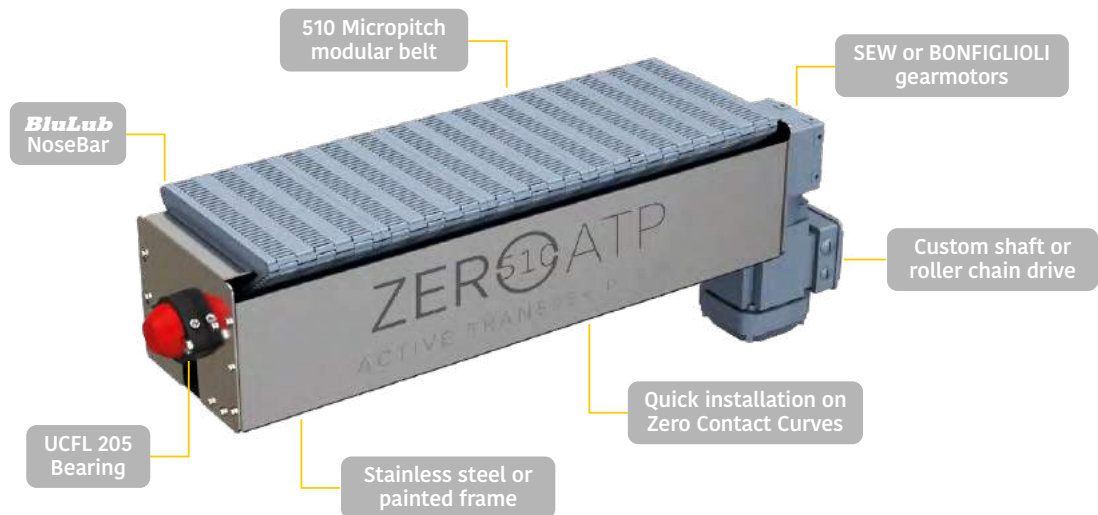
Recommended for **Zero Contact™ S**

For different gearmotors please contact your sales representative

NEW

# ZERO<sup>510</sup>ATP

## ACTIVE TRANSFER PLATE

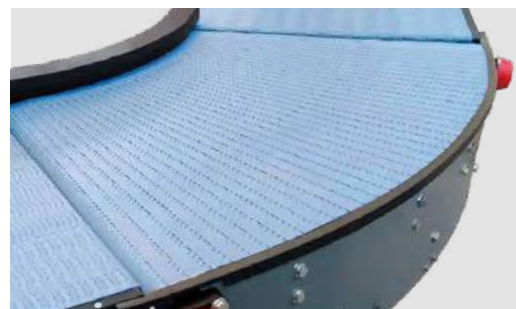


The **Zero ATP** is the perfect solution for small and light products, which hardly slide on standard solution. With the Active Transfer Plate Movex helps reducing downtimes and improving efficiency.

**Zero ATP** is a complete conveyor unit and supplied connected to the **Zero Contact™** curve independently, so speed can be different than the curve itself, so able to accelerate or decelerate carried products.

**Zero ATP Active Transfer Plates** are equipped with Movex 510 FT micropitch belt.

A tensioning system is included.



### Main features

- Equipped with Movex 510 modular belt
- 8mm pitch, 3mm nose radius
- Available length 250mm and 500mm
- Connectable to Zero Contact curves



Longer Zero ATP available on request



## Zero ATP for Zero Contact

### Module length 250mm

Article Nr.	Curve Width - mm	Micropitch Width - mm
W02L10ATP	200	228,6
W04L10ATP	400	381
W06L10ATP	600	609,6
W08L10ATP	800	838,2
W10L10ATP	1000	990,6
W12L10ATP	1200	1219,2
W14L10ATP	1400	1447,8
W16L10ATP	1600	1600,2

### Module length 500mm

Article Nr.	Curve Width - mm	Micropitch Width - mm
W02L20ATP	200	228,6
W04L20ATP	400	381
W06L20ATP	600	609,6
W08L20ATP	800	838,2
W10L20ATP	1000	990,6
W12L20ATP	1200	1219,2
W14L20ATP	1400	1447,8
W16L20ATP	1600	1600,2

## Zero ATP for Zero Contact PRO

### Module length 250mm

Article Nr.	Curve Width - mm	Micropitch Width - mm
W91L10ATP	249	228,6
W92L10ATP	269	228,6
W93L10ATP	419	381
W94L10ATP	439	457,2
W95L10ATP	504	533,4
W96L10ATP	524	533,4
W97L10ATP	864	838,2
W98L10ATP	1034	990,6

### Module length 500mm

Article Nr.	Curve Width - mm	Micropitch Width - mm
W91L20ATP	249	228,6
W92L20ATP	269	228,6
W93L20ATP	419	381
W94L20ATP	439	457,2
W95L20ATP	504	533,4
W96L20ATP	524	533,4
W97L20ATP	864	838,2
W98L20ATP	1034	990,6

## Zero ATP for Zero Contact S

### Module length 250mm

Article Nr.	Curve Width - mm	Micropitch Width - mm
W02L10ATPS	200	228,6
W04L10ATPS	400	381
W06L10ATPS	600	609,6
W08L10ATPS	800	838,2
W10L10ATPS	1000	990,6
W12L10ATPS	1200	1219,2
W14L10ATPS	1400	1447,8
W16L10ATPS	1600	1600,2

### Module length 500mm

Article Nr.	Curve Width - mm	Micropitch Width - mm
W02L20ATPS	200	228,6
W04L20ATPS	400	381
W06L20ATPS	600	609,6
W08L20ATPS	800	838,2
W10L20ATPS	1000	990,6
W12L20ATPS	1200	1219,2
W14L20ATPS	1400	1447,8
W16L20ATPS	1600	1600,2

### SEW Gearmotor

- Foodgrade oil
- Power 0,18kW



Article Nr.	Power
MDT-1600	0,18kW

### BONFIGLIOLI Gearmotor

- Power 0,18kW



Article Nr.	Power
MDTL-1600	0,18kW

For different gearmotors please contact your sales representative.

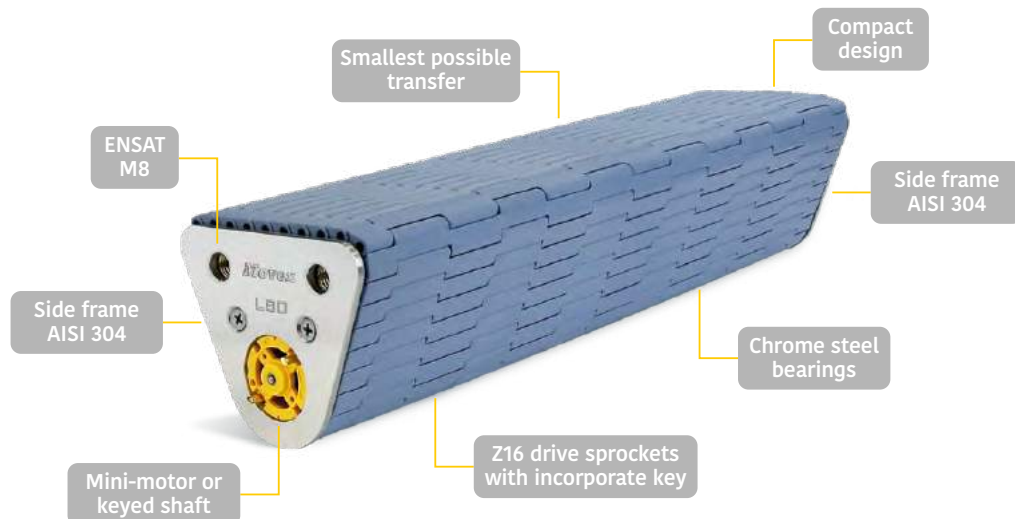
SEW and BONFIGLIOLI are believed to be the trademarks and/or trade names of their respective owners and are not owned or controlled by Movex S.p.A.

NEW

100%  
GUARANTEED  
TRANSFER!

# ZERO<sup>PRO</sup> ATP<sup>®</sup>

## ACTIVE TRANSFER PLATE

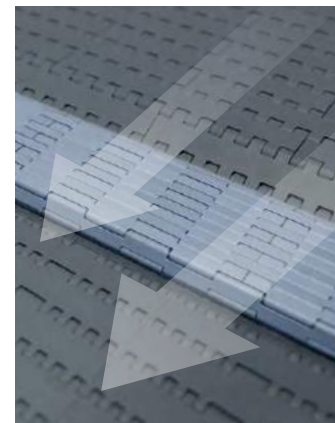


## Product use

Zero ATP Pro<sup>®</sup> equipped with micro-pitch 510 modular belt series, is the smallest Active Transfer Plate available on the market.

With its revolutionary compact shape, Zero ATP Pro<sup>®</sup> is the right choice to connect different conveyors, guaranteeing a smooth product transfer, that can be easily integrated into existing lines by replacing traditional transfers, with limited structural work.

Zero ATP Pro<sup>®</sup> can be provided with mini-motor or key shaft for a roller chain drive and it's a maintenance and tensioning free system.



**BELT SERIES** 510 FT

**BELT WIDTH** 6in ÷ 24in (152,4mm ÷ 609,6mm)

**BELT DIMENSIONS** Pitch 8mm Thickness 6mm

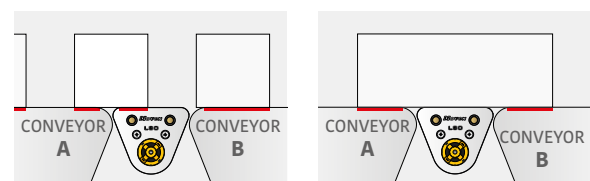
**MATERIAL OF MODULES** LFA, MX and LFB

**TRANSFER LENGTH** 80mm or 150mm

**TRANSMISSION** Mini motor or Keyed shaft

**MAX. WORKING LOAD** 3.000 N/m belt width

**SIMULTANEOUS TRANSPORT OF:**



LIGHTWEIGHT & SMALL GOODS    HIGH LOAD & BIG GOODS

Plug-in & Play solution | Maintenance free | Self-tensioning

## Zero ATP Pro® Mini motor version



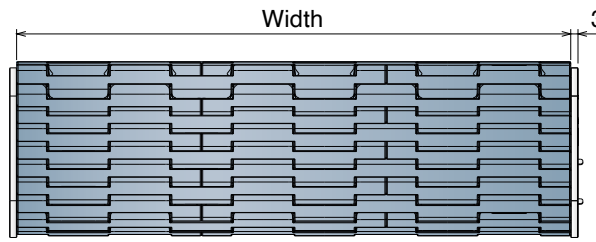
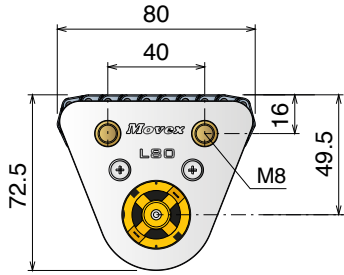
### Mini-motor version

Includes a mini-motor assembled at the inside of the module.  
Optional cover for motor connection  
**Article-Nr. 300601**

### Mini-motor features:

Supply voltage 6-15 V dc | Power Rating 7.85W  
Max Torque 6539 g.cm.

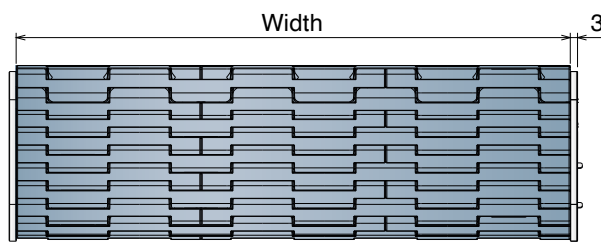
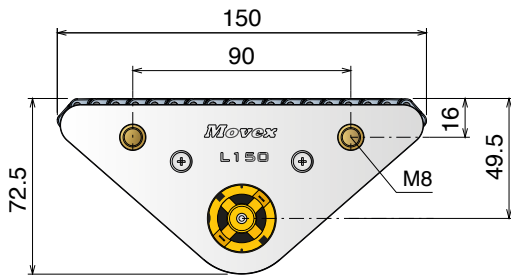
**Transfer length 80mm**



Series	Material	Width	Version
5336	*	0006	A
5336	*	0009	A
5336	*	0012	A
5336	*	0015	A
5336	*	0018	A
5336	*	0021	A
5336	*	0024	A

* Material			
LFA - Code 01	MX - Code 03	LFB - Code 23	
<i>Low friction Acetal</i>	<i>Performance PBT</i>	<i>Low friction Acetal</i>	
<b>Max w. load:</b> 3000 N	<b>Max w. load:</b> 2700 N	<b>Max w. load:</b> 3000 N	
<b>Weight:</b> 5,8 kg/m <sup>2</sup>	<b>Weight:</b> 5,5 kg/m <sup>2</sup>	<b>Weight:</b> 5,8 kg/m <sup>2</sup>	
<b>Temp. range dry:</b> -40÷80 °C	<b>Temp. range dry:</b> -40÷120 °C	<b>Temp. range dry:</b> -40÷80 °C	
<b>Temp. range wet:</b> -40÷65 °C	<b>Temp. range wet:</b> -40÷60 °C	<b>Temp. range wet:</b> -40÷65 °C	
<b>Pin material:</b> PBT white	<b>Pin material:</b> POM grey	<b>Pin material:</b> PBT white	

**Transfer length 150mm**



Series	Material	Width	Version
5338	*	0006	A
5338	*	0009	A
5338	*	0012	A
5338	*	0015	A
5338	*	0018	A
5338	*	0021	A
5338	*	0024	A

* Material			
LFA - Code 01	MX - Code 03	LFB - Code 23	
<i>Low friction Acetal</i>	<i>Performance PBT</i>	<i>Low friction Acetal</i>	
<b>Max w. load:</b> 3000 N	<b>Max w. load:</b> 2700 N	<b>Max w. load:</b> 3000 N	
<b>Weight:</b> 5,8 kg/m <sup>2</sup>	<b>Weight:</b> 5,5 kg/m <sup>2</sup>	<b>Weight:</b> 5,8 kg/m <sup>2</sup>	
<b>Temp. range dry:</b> -40÷80 °C	<b>Temp. range dry:</b> -40÷120 °C	<b>Temp. range dry:</b> -40÷80 °C	
<b>Temp. range wet:</b> -40÷65 °C	<b>Temp. range wet:</b> -40÷60 °C	<b>Temp. range wet:</b> -40÷65 °C	
<b>Pin material:</b> PBT white	<b>Pin material:</b> POM grey	<b>Pin material:</b> PBT white	

For different configurations please contact your sales representative.

## Zero ATP™ Pro

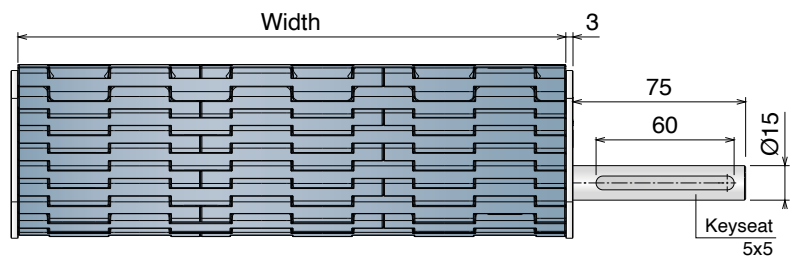
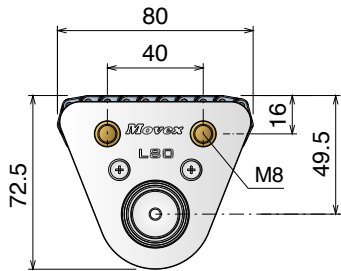
Keyed shaft version



### Keyed shaft version

Includes a 15 mm shaft with standard key seat 5x5 for roller chain transmission.

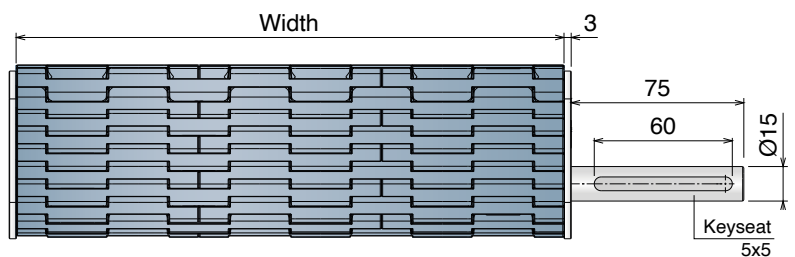
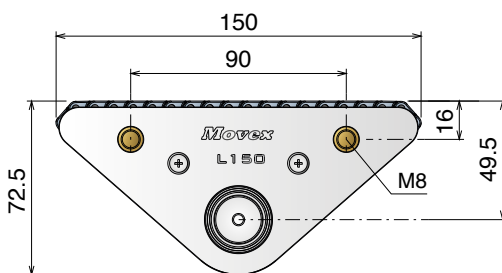
Transfer length 80mm



Series	Material	Width	Version
5336	*	0006	B
5336	*	0009	B
5336	*	0012	B
5336	*	0015	B
5336	*	0018	B
5336	*	0021	B
5336	*	0024	B

* Material			
LFA - Code 01	MX - Code 03	LFB - Code 23	
<i>Low friction Acetal</i>	<i>Performance PBT</i>	<i>Low friction Acetal</i>	
<b>Max w. load:</b> 3000 N	<b>Max w. load:</b> 2700 N	<b>Max w. load:</b> 3000 N	
<b>Weight:</b> 5,8 kg/m <sup>2</sup>	<b>Weight:</b> 5,5 kg/m <sup>2</sup>	<b>Weight:</b> 5,8 kg/m <sup>2</sup>	
<b>Temp. range dry:</b> -40+80 °C	<b>Temp. range dry:</b> -40+120 °C	<b>Temp. range dry:</b> -40+80 °C	
<b>Temp. range wet:</b> -40+65 °C	<b>Temp. range wet:</b> -40+60 °C	<b>Temp. range wet:</b> -40+65 °C	
<b>Pin material:</b> PBT white	<b>Pin material:</b> POM grey	<b>Pin material:</b> PBT white	

Transfer length 150mm



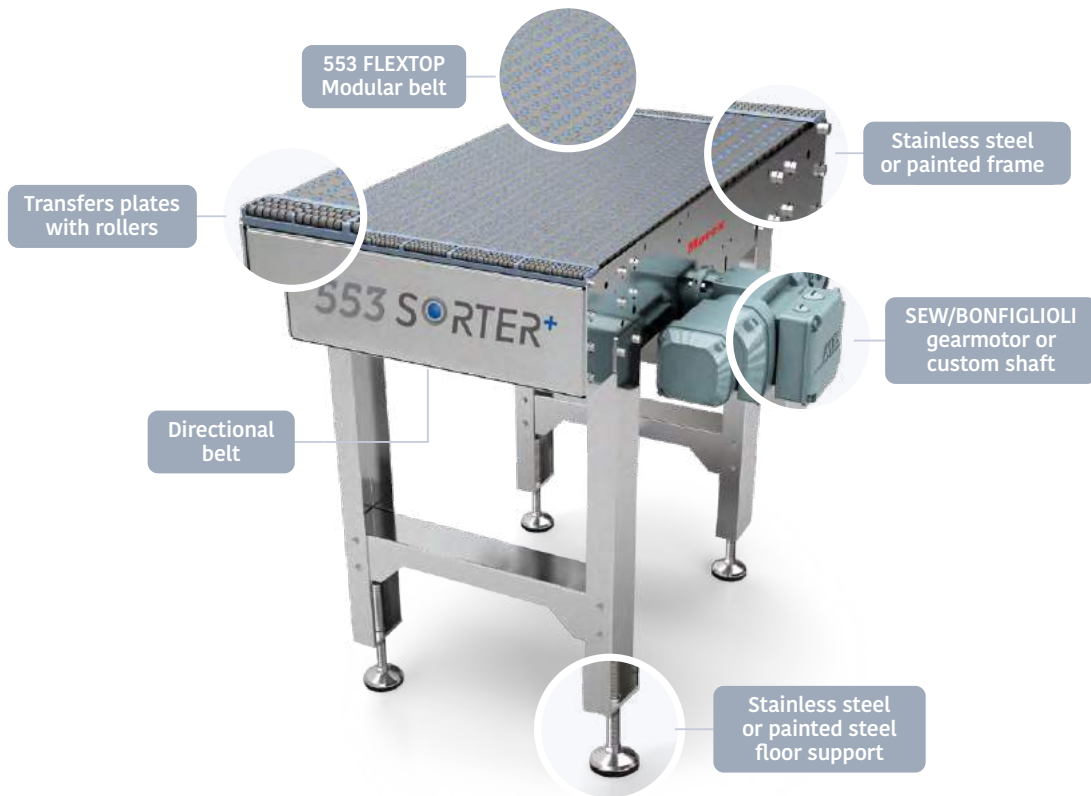
Series	Material	Width	Version
5338	*	0006	B
5338	*	0009	B
5338	*	0012	B
5338	*	0015	B
5338	*	0018	B
5338	*	0021	B
5338	*	0024	B

* Material			
LFA - Code 01	MX - Code 03	LFB - Code 23	
<i>Low friction Acetal</i>	<i>Performance PBT</i>	<i>Low friction Acetal</i>	
<b>Max w. load:</b> 3000 N	<b>Max w. load:</b> 2700 N	<b>Max w. load:</b> 3000 N	
<b>Weight:</b> 5,8 kg/m <sup>2</sup>	<b>Weight:</b> 5,5 kg/m <sup>2</sup>	<b>Weight:</b> 5,8 kg/m <sup>2</sup>	
<b>Temp. range dry:</b> -40+80 °C	<b>Temp. range dry:</b> -40+120 °C	<b>Temp. range dry:</b> -40+80 °C	
<b>Temp. range wet:</b> -40+65 °C	<b>Temp. range wet:</b> -40+60 °C	<b>Temp. range wet:</b> -40+65 °C	
<b>Pin material:</b> PBT white	<b>Pin material:</b> POM grey	<b>Pin material:</b> PBT white	

For different configurations please contact your sales representative.

# 553 SORTER<sup>+</sup>

## MULTIDIRECTIONAL CONVEYOR



### Product use

The **553 Sorter plus™** is a multidirectional conveyor, equipped with the unique and patented 553 FlexTop modular belt, and with directional belt or plate, is able to handle a variety of products at 360°.

The **553 Sorter plus™** is available in different widths and lengths and in 4 different versions:

- **Diverter** - able to quickly move side to side your goods
- **Dynamic Turn** - able to rotate dynamically your goods
- **Static Turn** - able to rotate statically your goods
- **Speed** - able to accelerate/decelerate your goods



**BELT PITCH:** 25,4 mm

**THICKNESS:** 8,7 mm

**INCREMENTS:** 76,2 mm

**TOTAL LENGTH:** 600mm ÷ 1400mm

**TOTAL WIDTH:** 390mm ÷ 1000mm

**MATERIAL OF MODULES:** Dark grey acetal (POM)

**MATERIAL OF SPHERES:** Blue Polyamide (PA)

**TEMPERATURE RANGE**

Dry: -40°C÷80°C Wet: n.a.

(Dry:-40°F ÷ 176°F Wet: n.a.)

**MAX. WORKING LOAD**

27.500 N/m belt width

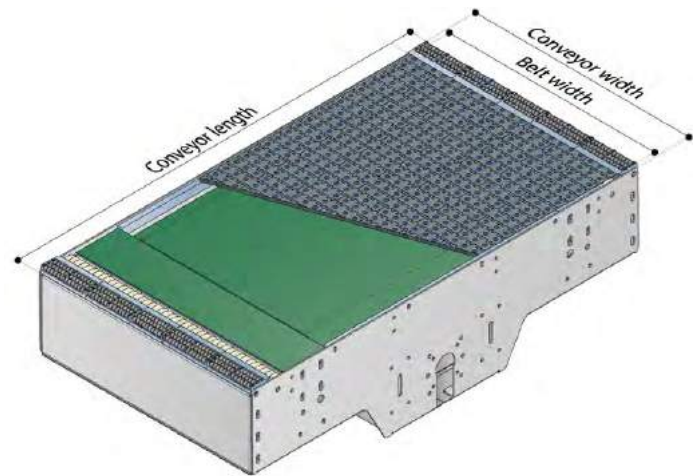
**OPEN AREA** 0%

**FRAME** Stainless steel or Painted steel

## 553 Sorter<sup>+</sup> Diverter

Equipped with one directional belt underneath the 553 FlexTop belt running at transversal direction, the Sorter plus - diverter will let your products moving to the left or to the right.

This configuration is ideal for many types of applications, like distribution systems and logistics centers and can be used with many different types of packages, from the most traditional ones like cardboard boxes to polybags and paper envelopes.

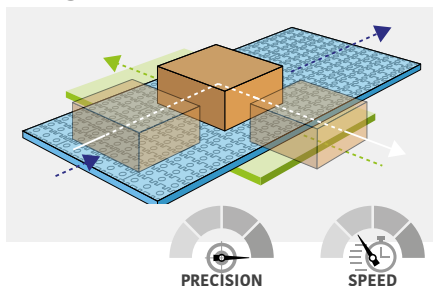


Conveyor Width	Belt Width	Conveyor Length				
		600mm	800mm	1000mm	1200mm	1400mm
390mm	381mm	W0390L0600-D	W0390L0800-D	-	-	-
470mm	457,2mm	W0470L0600-D	W0470L0800-D	W0470L1000-D	-	-
545mm	533,4mm	W0545L0600-D	W0545L0800-D	W0545L1000-D	-	-
620mm	609,6mm	-	W0620L0800-D	W0620L1000-D	W0620L1200-D	-
695mm	685,8mm	-	W0695L0800-D	W0695L1000-D	W0695L1200-D	-
770mm	762mm	-	W0770L0800-D	W0770L1000-D	W0770L1200-D	-
850mm	838,2mm	-	-	W0850L1000-D	W0850L1200-D	W0850L1400-D
925mm	914,4mm	-	-	W0925L1000-D	W0925L1200-D	W0925L1400-D
1000mm	990,6mm	-	-	-	W1000L1200-D	W1000L1400-D

These codes mean complete stainless steel conveyor, except floor supports and gearmotor, if you need to include them please see page 305.  
For painted steel versions just add "S" at the end of the Article-Nr.

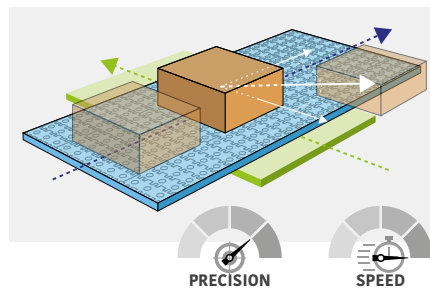
Conveyor Length	Directional belt Width	Available exit Width
600mm	400mm	400
800mm	600mm	400 - 600
1000mm	800mm	400 - 600 - 800
1200mm	1000mm	600 - 800 - 1000
1400mm	1200mm	800 - 1000 - 1200

### Straight exit



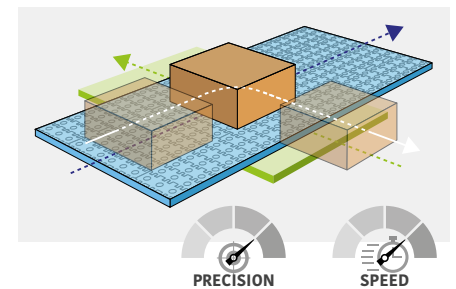
To get a completely straight exit, **the directional belt must be activated when 553 FlexTop is not running.**

### Inclined exit



To get a 45° inclined direction, the **speed of the directional belt must be the same** as the speed of the 553 FlexTop and they have to work contemporary.

### Curved exit



To get a straight exit without losing relatively too much time, the **directional belt can be activated also when the 553 FlexTop is running, while is reducing speed.**

The combination of the two speeds will determine the exit curve dimension.

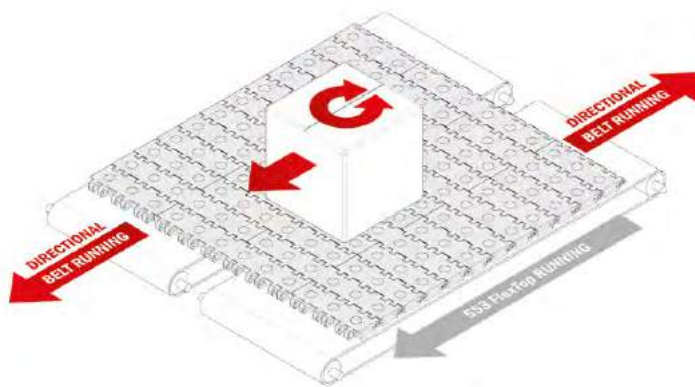
## 553 Sorter<sup>+</sup>

### Dynamic turn

Equipped with two directional belts underneath the 553 FlexTop belt running at opposite direction, the Sorter plus - dynamic turn will let your products start rotating.

This configuration is ideal to turn products in high-speed production lines that can be handled without stopping the 553 FlexTop belt.

The distance of the rotation depends by the combination of the 3 different speeds.



These codes mean complete stainless steel conveyor, except floor supports and gearmotor, if you need to include them please see page 305.

For painted steel versions just add "S" at the end of the Article-Nr.

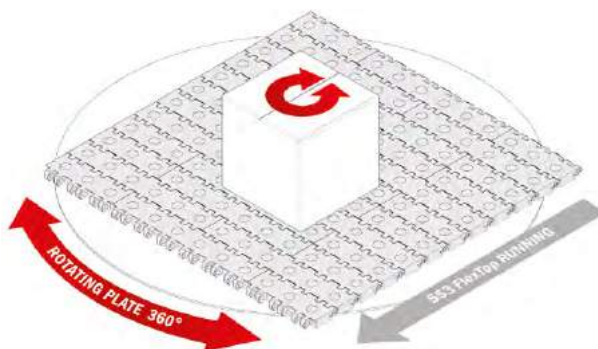
Conveyor Width	Belt Width	Conveyor Length				
		600mm	800mm	1000mm	1200mm	1400mm
390mm	381mm	<b>W0390L0600-DT</b>	<b>W0390L0800-DT</b>	-	-	-
470mm	457,2mm	<b>W0470L0600-DT</b>	<b>W0470L0800-DT</b>	<b>W0470L1000-DT</b>	-	-
545mm	533,4mm	<b>W0545L0600-DT</b>	<b>W0545L0800-DT</b>	<b>W0545L1000-DT</b>	-	-
620mm	609,6mm	-	<b>W0620L0800-DT</b>	<b>W0620L1000-DT</b>	<b>W0620L1200-DT</b>	-
695mm	685,8mm	-	<b>W0695L0800-DT</b>	<b>W0695L1000-DT</b>	<b>W0695L1200-DT</b>	-
770mm	762mm	-	<b>W0770L0800-DT</b>	<b>W0770L1000-DT</b>	<b>W0770L1200-DT</b>	-
850mm	838,2mm	-	-	<b>W0850L1000-DT</b>	<b>W0850L1200-DT</b>	<b>W0850L1400-DT</b>
925mm	914,4mm	-	-	<b>W0925L1000-DT</b>	<b>W0925L1200-DT</b>	<b>W0925L1400-DT</b>
1000mm	990,6mm	-	-	-	<b>W1000L1200-DT</b>	<b>W1000L1400-DT</b>

## 553 Sorter<sup>+</sup>

### Static turn

Equipped with one rotating plate underneath the 553 FlexTop belt, the Sorter plus - static turn will let your products start rotating.

This configuration is ideal to turn products with high-precision and they have to be handled while the 553 FlexTop belt is not running.



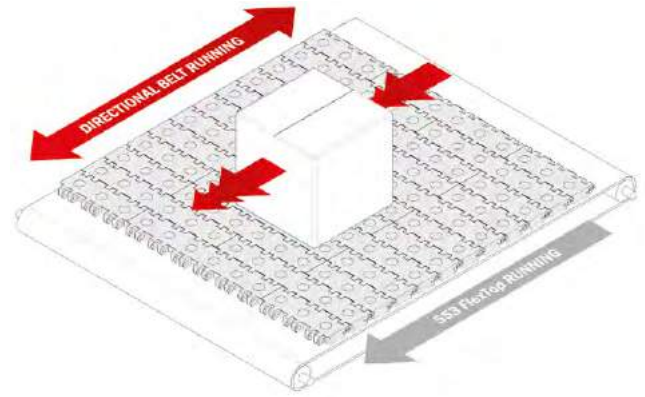
These codes mean complete stainless steel conveyor, except floor supports and gearmotor, if you need to include them please see page 305.

For painted steel versions just add "S" at the end of the Article-Nr.

Conveyor Width	Belt Width	Conveyor Length				
		600mm	800mm	1000mm	1200mm	1400mm
390mm	381mm	<b>W0390L0600-ST</b>	<b>W0390L0800-ST</b>	-	-	-
470mm	457,2mm	<b>W0470L0600-ST</b>	<b>W0470L0800-ST</b>	<b>W0470L1000-ST</b>	-	-
545mm	533,4mm	<b>W0545L0600-ST</b>	<b>W0545L0800-ST</b>	<b>W0545L1000-ST</b>	-	-
620mm	609,6mm	-	<b>W0620L0800-ST</b>	<b>W0620L1000-ST</b>	<b>W0620L1200-ST</b>	-
695mm	685,8mm	-	<b>W0695L0800-ST</b>	<b>W0695L1000-ST</b>	<b>W0695L1200-ST</b>	-
770mm	762mm	-	<b>W0770L0800-ST</b>	<b>W0770L1000-ST</b>	<b>W0770L1200-ST</b>	-
850mm	838,2mm	-	-	<b>W0850L1000-ST</b>	<b>W0850L1200-ST</b>	<b>W0850L1400-ST</b>
925mm	914,4mm	-	-	<b>W0925L1000-ST</b>	<b>W0925L1200-ST</b>	<b>W0925L1400-ST</b>
1000mm	990,6mm	-	-	-	<b>W1000L1200-ST</b>	<b>W1000L1400-ST</b>

## 553 Sorter<sup>+</sup> Speed

Equipped with one directional belt underneath the 553 FlexTop belt running at same or opposite direction of the 553 FlexTop belt, the Sorter plus speed can accelerate or decelerate your products. This configuration is ideal to space your products without the need of having an additional conveyor.



These codes mean complete stainless steel conveyor, except floor supports and gearmotor, if you need to include them please see page 305.

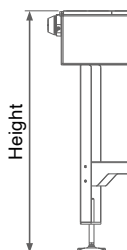
For painted steel versions just add "S" at the end of the Article-Nr.

Conveyor Width	Belt Width	Conveyor Length				
		600mm	800mm	1000mm	1200mm	1400mm
390mm	381mm	<b>W0390L0600-S</b>	<b>W0390L0800-S</b>	-	-	-
470mm	457,2mm	<b>W0470L0600-S</b>	<b>W0470L0800-S</b>	<b>W0470L1000-S</b>	-	-
545mm	533,4mm	<b>W0545L0600-S</b>	<b>W0545L0800-S</b>	<b>W0545L1000-S</b>	-	-
620mm	609,6mm	-	<b>W0620L0800-S</b>	<b>W0620L1000-S</b>	<b>W0620L1200-S</b>	-
695mm	685,8mm	-	<b>W0695L0800-S</b>	<b>W0695L1000-S</b>	<b>W0695L1200-S</b>	-
770mm	762mm	-	<b>W0770L0800-S</b>	<b>W0770L1000-S</b>	<b>W0770L1200-S</b>	-
850mm	838,2mm	-	-	<b>W0850L1000-S</b>	<b>W0850L1200-S</b>	<b>W0850L1400-S</b>
925mm	914,4mm	-	-	<b>W0925L1000-S</b>	<b>W0925L1200-S</b>	<b>W0925L1400-S</b>
1000mm	990,6mm	-	-	-	<b>W1000L1200-S</b>	<b>W1000L1400-S</b>



## 553 Sorter+

### Floor support



- Stainless steel AISI 304 or painted steel
- Single or double floor fixation levlers
- Customizable height and specifications



Article Nr.	Conveyor Width - mm	Total Height - mm
<b>W0390H</b>	<b>390</b>	<b>1000</b>
<b>W0470H</b>	<b>470</b>	<b>1000</b>
<b>W0545H</b>	<b>545</b>	<b>1000</b>
<b>W0620H</b>	<b>620</b>	<b>1000</b>
<b>W0695H</b>	<b>695</b>	<b>1000</b>
<b>W0770H</b>	<b>770</b>	<b>1000</b>
<b>W0850H</b>	<b>850</b>	<b>1000</b>
<b>W0925H</b>	<b>925</b>	<b>1000</b>
<b>W1000H</b>	<b>1000</b>	<b>1000</b>

For different heights or custom specification please contact your sales representative.  
For painted steel versions, just add "S" at the end of the Article-Nr.

## 553 Sorter+

### Gearmotor

#### SEW Gearmotors

- Foodgrade oil
- Power 0,37kW – type WA30 DRN71M4
- Internal shaft position (no cable supplied)



Article Nr.	Power
<b>M090-S/I</b>	<b>0,37kW</b>

#### BONFIGLIOLI Gearmotors

- Power 0,37kW – type BN 71B 4 B14 KW 0,37
- Internal shaft position (no cable supplied)



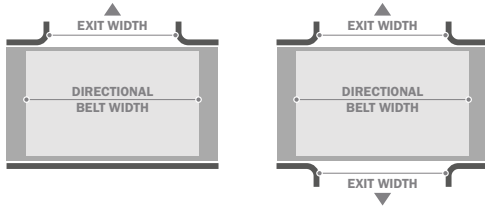
Article Nr.	Power
<b>M090L-S/I</b>	<b>0,37kW</b>

For different gearmotors please contact your sales representative

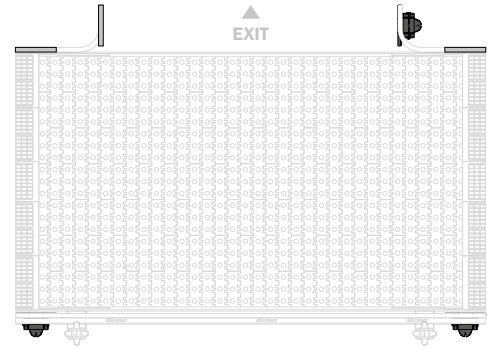
SEW and BONFIGLIOLI are believed to be the trademarks and/or trade names of their respective owners and are not owned or controlled by Movex S.p.A.

## 553 Sorter+

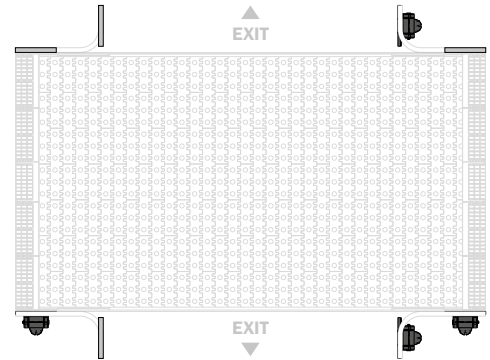
### Photocells



Conveyor Length	Directional belt Width	Available exit Width	Photocells Single exit	Photocells Double exit
600mm	400mm	400mm	L0600-SE0400	L0600-DE0400
800mm	600mm	400mm	L0800-SE0400	L0800-DE0400
		600mm	L0800-SE0600	L0800-DE0600
1000mm	800mm	400mm	L1000-SE0400	L1000-DE0400
		600mm	L1000-SE0600	L1000-DE0600
		800mm	L1000-SE0800	L1000-DE0800
1200mm	1000mm	600mm	L1200-SE0600	L1200-DE0600
		800mm	L1200-SE0800	L1200-DE0800
		1000mm	L1200-SE1000	L1200-DE1000
1400mm	1200mm	800mm	L1400-SE0800	L1400-DE0800
		1000mm	L1400-SE1000	L1400-DE1000
		1200mm	L1400-SE1200	L1400-DE1200



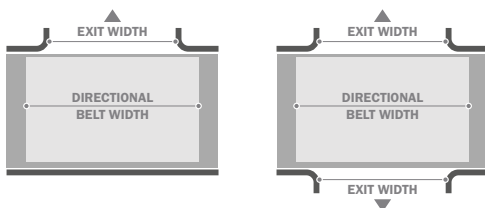
Configuration for single exit option.



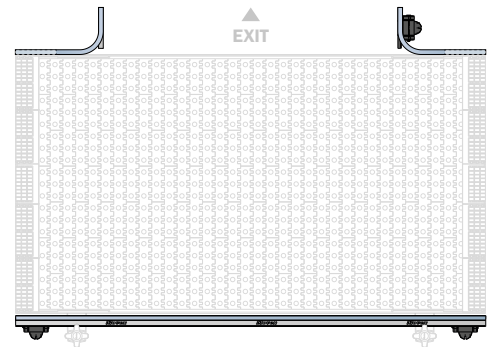
Configuration for double exit option.

## 553 Sorter+

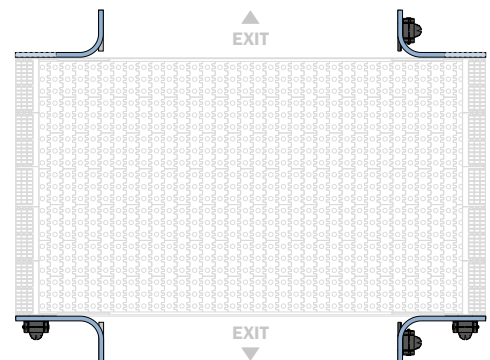
### Photocells and *BluLub*® guides



Conveyor Length	Directional belt Width	Available exit Width	Photocells/guides Single exit	Photocells/guides Double exit
600mm	400mm	400mm	L0600-SE0400K	L0600-DE0400K
800mm	600mm	400mm	L0800-SE0400K	L0800-DE0400K
		600mm	L0800-SE0600K	L0800-DE0600K
1000mm	800mm	400mm	L1000-SE0400K	L1000-DE0400K
		600mm	L1000-SE0600K	L1000-DE0600K
		800mm	L1000-SE0800K	L1000-DE0800K
1200mm	1000mm	600mm	L1200-SE0600K	L1200-DE0600K
		800mm	L1200-SE0800K	L1200-DE0800K
		1000mm	L1200-SE1000K	L1200-DE1000K
1400mm	1200mm	800mm	L1400-SE0800K	L1400-DE0800K
		1000mm	L1400-SE1000K	L1400-DE1000K
		1200mm	L1400-SE1200K	L1400-DE1200K



Configuration for single exit option.



Configuration for double exit option.

## ZERO CONTACT

### CURVE CONVEYOR

Company	
Sales contact	
Contact	
Date	

Technical features	Please circle required input or fill the proper field							
Radius - mm (in)	600 (23.6)	800 (31.5)	1000 (39.4)	1200 (47.2)	1400 (55.1)	1600 (63)	1800 (70.9)	2000 (78.7)
Width - mm (in)	200 (7.9)	400 (15.7)	600 (23.6)	800 (31.5)	1000 (39.4)	1200 (47.2)	1400 (55.1)	1600 (63)
Angle	90°			180°			Different:	
Direction	Right (clockwise)				Left (counter clockwise)			
Gearmotor position	Internal				External			
Transfer plates	Plastic with stainless steel rollers				Stainless steel with stainless steel rollers			
Gearmotor *	No	Yes	SEW	Different shaft for:				
Floor supports height - mm (in)	No	Yes	1000+/-75 (39.4+/-3.0)	Different:				
ZeroATP - mm (in) **	No	Yes	Infeed	Outfeed		250 (9.8)	500 (19.7)	

\* For a different gearmotor, please fill with type and model, we will provide a quotation with the proper machined shaft

\*\* In case of ZeroATP selected, standard transfers will not be included (based on sides selected)



**ZERO<sup>PRO</sup>ATP**  
ACTIVE TRANSFER PLATE

ZeroATP Pro \*\*

No Yes

Type of product	
Product dimensions (mm)	
Weight per linear meter (Kg/m)	
Belt Speed	
Number of tracks per products	

### Double check here if your combination Radius/Width is available

W/R	600 (23.6)	800 (31.5)	1000 (39.4)	1200 (47.2)	1400 (55.1)	1600 (63)	1800 (70.9)	2000 (78.7)
200 (7.9)								
400 (15.7)								
600 (23.6)								
800 (31.5)								
1000 (39.4)								
1200 (47.2)								
1400 (55.1)								
1600 (63)								



### Example of module filled

Technical features	Please circle required input or fill the proper field							
Radius - mm (inch)	600 (23.6)	800 (31.5)	1000 (39.4)	1200 (47.2)	1400 (55.1)	1600 (63)	1800 (70.9)	2000 (78.7)
Width - mm (inch)	200 (7.9)	400 (15.7)	600 (23.6)	800 (31.5)	1000 (39.4)	1200 (47.2)	1400 (55.1)	1600 (63)
Angle	90°			180°			Different:	
Direction	Right (clockwise)				Left (counter clockwise)			
Gearmotor position	Internal				External			
Transfer plates	Plastic with stainless steel rollers				Stainless steel with stainless steel rollers			
Painted steel frames	Blue Grey RAL 7031				Different (specify the RAL):			
Bottom safety cover	Yes				No			
Gearmotor *	No	Yes	BONFIGLIOLI	Different shaft for:				
Floor supports height - mm (inch)	No	Yes	1000+/-75 (39.4+/-3.0)	Different:				
ZeroATP - mm (inch) **	No	Yes	Infeed	Outfeed		250 (9.8)	500 (19.7)	

## ZERO CONTACT

CURVE CONVEYOR

Company	
Sales contact	
Contact	
Date	

Technical features	Please circle required input or fill the proper field								
Radius - mm (in)	586 (23.1)	756 (29.8)	1011 (39.8)	1031 (40.6)	1116 (43.9)	1201 (47.3)	1286 (50.6)	1456 (57.3)	1541 (60.7)
Width - mm (in)	249 (9.8)	269 (10.6)	419 (16.5)	439 (17.3)	504 (19.8)	524 (20.6)	864 (34)	1034 (40.7)	
Angle	90°			180°			Different:		
Direction	Right (clockwise)				Left (counter clockwise)				
Version *	Standard				"Two-Tracks"				
Gearmotor position	Internal				External				
Transfer plates	Plastic with stainless steel rollers				Stainless steel with stainless steel rollers				
Gearmotor **	No	Yes	SEW	Different shaft for:					
Floor supports height - mm (in)	No	Yes	1000+/-75 (39.4+/-3.0)	Different:					
ZeroATP - mm (in) ***	No	Yes	Infeed	Outfeed	250 (9.8)	500 (19.7)			

\* In case of "Two-Tracks" version, no need to fill Gearmotor position fields

\*\* In case of different gearmotor, please provide model and type name and we will quote a curve with required machined shaft

\*\*\* In case of ZeroATP, standard transfers plates will not be included (based on the side selected)



TRY IT NOW!

ZERO ATP  
ACTIVE TRANSFER PLATE

ZeroATP Pro ***	
No	Yes

Type of product	
Product dimensions (mm)	
Weight per linear meter (Kg/m)	
Belt Speed	
Number of tracks per products	

### Double check here if your combination Radius/Width is available

W/R	586 (23.1)	756 (29.8)	1011 (39.8)	1031 (40.6)	1116 (43.9)	1201 (47.3)	1286 (50.6)	1456 (57.3)	1541 (60.7)
249 (9.8)									
269 (10.6)									
419 (16.5)									
439 (17.3)									
504 (19.8)									
524 (20.6)									
864 (34)									
1034 (40.7)									



### Example of module filled

Technical features	Please circle required input or fill the proper field								
Radius - mm (Inch)	600 (23.6)	800 (31.5)	1000 (39.4)	1200 (47.2)	1400 (55.1)	1600 (63)	1800 (70.9)	2000 (78.7)	
Width - mm (Inch)	200 (7.9)	400 (15.7)	600 (23.6)	800 (31.5)	1000 (39.4)	1200 (47.2)	1400 (55.1)	1600 (63)	
Angle	90°			180°			Different:		
Direction	Right (clockwise)				Left (counter clockwise)				
Gearmotor position	Internal				External				
Transfer plates	Plastic with stainless steel rollers				No				
Painted steel frames	Blue Grey RAL 7031				Different (specify the RAL):				
Bottom safety cover	Yes				No				
Gearmotor *	No	Yes	BONFIGLIOLI	Different shaft for:					
Floor supports height - mm (Inch)	No	Yes	1000+/-75 (39.4+/-3.0)	Different:					
ZeroATP - mm (Inch) **	No	Yes	Infeed	Outfeed	250 (9.8)	500 (19.7)			

## ZERO CONTACT S

CURVE CONVEYOR

Company	
Sales contact	
Contact	
Date	

Technical features	Please circle required input or fill the proper field							
Radius - mm (in)	600 (23.6)	800 (31.5)	1000 (39.4)	1200 (47.2)	1400 (55.1)	1600 (63)	1800 (70.9)	2000 (78.7)
Width - mm (in)	200 (7.9)	400 (15.7)	600 (23.6)	800 (31.5)	1000 (39.4)	1200 (47.2)	1400 (55.1)	1600 (63)
Angle	90°			180°			Different:	
Direction	Right (clockwise)				Left (counter clockwise)			
Gearmotor position	Internal				External			
Transfer plates	Plastic with stainless steel rollers				No			
Painted steel frames	Blue Grey RAL 7031				Different (specify the RAL):			
Bottom safety cover	Yes				No			
Gearmotor *	No	Yes	BONFIGLIOLI	Different shaft for:				
Floor supports height - mm (in)	No	Yes	1000+/-75 (39.4+/-3.0)	Different:				
ZeroATP - mm (in) **	No	Yes	Infeed	Outfeed		250 (9.8)	500 (19.7)	

\* In case of different gearmotor, please provide model and type name and we will quote a curve with required machined shaft

\*\* In case of ZeroATP, standard transfers plates will not be included (based on the side selected)



**ZERO<sup>PRO</sup>ATP**  
ACTIVE TRANSFER PLATE

ZeroATP Pro **	
No	Yes

Type of product	
Product dimensions (mm)	
Weight per linear meter (Kg/m)	
Belt Speed	
Number of tracks per products	

### Double check here if your combination Radius/Width is available

W/R	600 (23.6)	800 (31.5)	1000 (39.4)	1200 (47.2)	1400 (55.1)	1600 (63)	1800 (70.9)	2000 (78.7)
200 (7.9)								
400 (15.7)								
600 (23.6)								
800 (31.5)								
1000 (39.4)								
1200 (47.2)								
1400 (55.1)								
1600 (63)								

### Example of module filled

Technical features	Please circle required input or fill the proper field							
Radius - mm (inch)	600 (23.6)	800 (31.5)	1000 (39.4)	1200 (47.2)	1400 (55.1)	1600 (63)	1800 (70.9)	2000 (78.7)
Width - mm (inch)	200 (7.9)	400 (15.7)	600 (23.6)	800 (31.5)	1000 (39.4)	1200 (47.2)	1400 (55.1)	1600 (63)
Angle	90°			180°			Different:	
Direction	Right (clockwise)				Left (counter clockwise)			
Gearmotor position	Internal				External			
Transfer plates	Plastic with stainless steel rollers				No			
Painted steel frames	Blue Grey RAL 7031				Different (specify the RAL):			
Bottom safety cover	Yes				No			
Gearmotor *	No	Yes	BONFIGLIOLI	Different shaft for:				
Floor supports height - mm (inch)	No	Yes	1000+/-75 (39.4+/-3.0)	Different:				
ZeroATP - mm (inch) **	No	Yes	Infeed	Outfeed		250 (9.8)	500 (19.7)	



## 553 SORTER+ MULTIDIRECTIONAL CONVEYOR

Company	
Sales contact	
Contact	
Date	

Technical features	Please circle required input or fill the proper field								
Width - mm (in)	390 (15.4)	470 (18.5)	545 (21.5)	620 (24.4)	695 (27.4)	770 (30.3)	850 (33.5)	925 (36.4)	1000 (39.4)
Length - mm (in)	600 (23.6)		800 (31.5)		1000 (39.4)		1200 (47.2)		1400 (55.1)
Version	DIVERTER		DYNAMIC TURN			STATIC TURN		SPEED	
Exit width - mm (in)	400 (15.8)		600 (23.6)		800 (31.5)		1000 (39.4)		1200 (47.2)
Exit type - mm (in)	SINGLE				DOUBLE				
Accessories	No	Yes	Photo eyes			Photo eyes and Side guides			
Gearmotor *	No	Yes	SEW	BONFIGLIOLI	Different shaft for:				
Floor supports height - mm (in)	No	Yes	1000+/-75 (39.4+/-3.0)		Different:				

\* For a different gearmotor, please fill with type and model, we will provide a quotation with the proper machined shaft

\*\* In case of ZeroATP, standard transfers plates will not be included (based on the side selected)



ZeroATP Pro **	
No	Yes

Type of product	
Product dimensions (mm)	
Product weight (Kg)	
Belt Speed	
Capacity	
Product pitch	
Movement description	Sketch

### Double check here if your combination Length/Width is available

W/R	600 (23.6)	800 (31.5)	1000 (39.4)	1200 (47.2)	1400 (55.1)
390 (15.35)					
470 (18.5)					
545 (21.45)					
620 (24.4)					
695 (27.36)					
770 (30.3)					
850 (33.46)					
925 (36.4)					
1000 (39.4)					



### Example of module filled

Technical features	Please circle required input or fill the proper field								
Width - mm (in)	390 (15.4)	470 (18.5)	545 (21.5)	620 (24.4)	695 (27.4)	770 (30.3)	850 (33.5)	925 (36.4)	1000 (39.4)
Length - mm (in)	600 (23.6)		800 (31.5)		1000 (39.4)		1200 (47.2)		1400 (55.1)
Version	DIVERTER		DYNAMIC TURN			STATIC TURN		SPEED	
Exit width - mm (in)	400 (15.8)		600 (23.6)		800 (31.5)		1000 (39.4)		1200 (47.2)
Exit type - mm (in)	SINGLE				DOUBLE				
Accessories	No	Yes	Photo eyes			Photo eyes and Side guides			
Gearmotor *	No	Yes	SEW	BONFIGLIOLI	Different shaft for:				
Floor supports height - mm (in)	No	Yes	1000+/-75 (39.4+/-3.0)		Different:				

For bore tolerance refers to Movex engineering manual available on our website.



<b>510</b>  Pag 312	<b>521-520 HD-522 HD-520 PRO LBP</b>  Pag 313	<b>521-520 HD-522 HD-520 PRO LBP</b>  Pag 313	<b>521-520 HD-522 HD-520 PRO LBP</b>  Pag 314	<b>520</b>  Pag 314	<b>520</b>  Pag 315
<b>520</b>  Pag 315	<b>520</b>  Pag 316	<b>520</b>  Pag 316	<b>525-530</b>  Pag 317	<b>525-530</b>  Pag 317	<b>590</b>  Pag 318
<b>590</b>  Pag 318	<b>550</b>  Pag 319	<b>550</b>  Pag 319	<b>550</b>  Pag 320	<b>550</b>  Pag 320	<b>550 PRO</b>  Pag 321
<b>550 PRO</b>  Pag 321	<b>550 PRO</b>  Pag 322	<b>550 PRO</b>  Pag 322	<b>551</b>  Pag 323	<b>551</b>  Pag 323	<b>551</b>  Pag 324
<b>551</b>  Pag 324	<b>552</b>  Pag 325	<b>552</b>  Pag 325	<b>553</b>  Pag 326	<b>553</b>  Pag 326	<b>556</b>  Pag 327
<b>556</b>  Pag 327	<b>260-261</b>  Pag 328	<b>260-261</b>  Pag 328	<b>260-261</b>  Pag 329	<b>260-261</b>  Pag 329	<b>600</b>  Pag 330
<b>600</b>  Pag 330	<b>600 Support</b>  Pag 331	<b>600 Support</b>  Pag 331	<b>600 Split S. roller</b>  Pag 331	<b>ZERO CONTACT</b>  Pag 332	<b>ZERO CONTACT PRO</b>  Pag 332
<b>500RR</b>  Pag 333	<b>500RR</b>  Pag 333	<b>500RR SPLIT V.</b>  Pag 334			

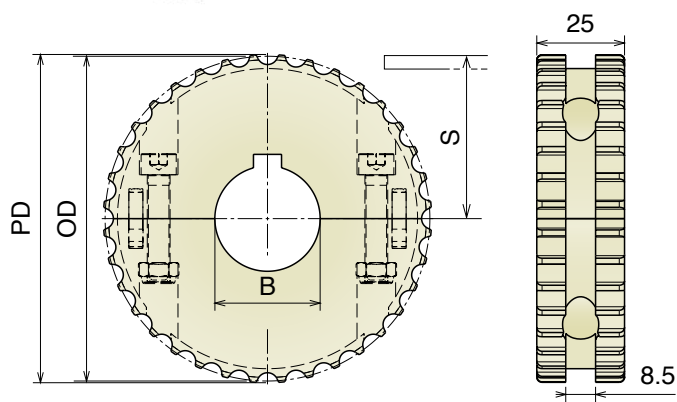
Material Info:



pg. 666

# 510

Ruota traino divisa, fresata  
Split drive sprocket, machined / geteiltes Antriebskettenrad, gefräst



Part	Article-Nr.	Z-	Bore	PD	OD	S
1599	159936E	16**	20	41	40,2	16,65
1601	160101E	18**	25	46,5	47,3	20,2
1601	160111E		20*20	□		
1598	159896E	20**	25	51,5	51,5	22,3
1602	160201E	24**	25	61,8	62,6	27,9
1603	160206E		25*25	□		
1603	160301	36	25	92,6	93,5	43,3
1603	160302		30			
1603	160303		35			
1603	160304		40			
1603	160306		25*25	□		
1603	160307		30*30	□		
1603	160308		40*40	□		

\*\*Drive sprockets z-16, z-18, z-20 and z-24 are supplied non-split



**Materiale / Material / Materialien:**

Poliamide/Polyamide/Polyamid

Viti: Acciaio inox/Screws: Stainless steel/Schrauben: Edelstahl

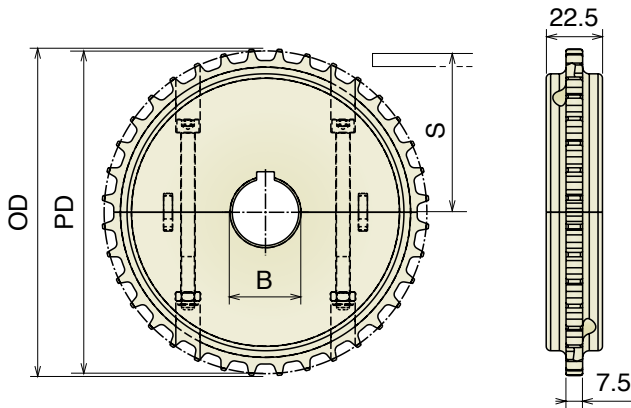
Dadi: ferro zincato/Nuts: zinc plated steel/Mutter: verzinkter Stahl

# 521-520HD-522HD-520PROLBP

Ruote per tappeti / Belt sprockets / Kettenräder für Mattenketten

## 521-520HD-522HD-520PROLBP

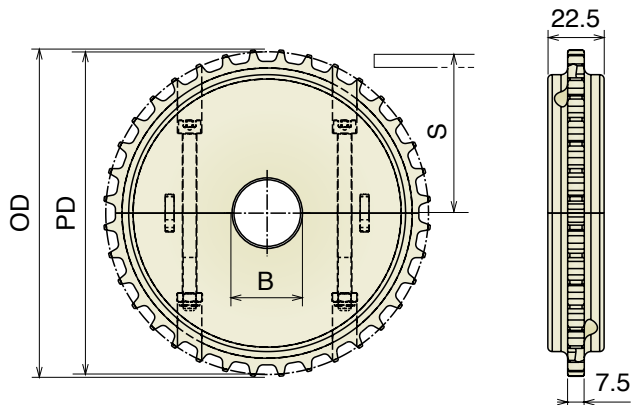
**Ruota traino divisa, fresata**  
**Split drive sprocket, machined**  
**geteiltes Antriebskettenrad, gefräst**



Part	Article-Nr.	Z-	Bore	PD	OD	S
1561	156101	28	25	113,4	115,4	52,4
1561	156102		30			
1561	156103		35			
1561	156104		40			
1561	156106		25* 25	∇		
1561	156107		30* 30	∇		
1561	156108		40* 40	∇		
1562	156201	36	25	145,7	147,7	68,5
1562	156202		30			
1562	156203		35			
1562	156204		40			
1562	156206		25* 25	∇		
1562	156207		30* 30	∇		
1562	156208		40* 40	∇		
1563	156301	38	25	153,8	155,8	72,6
1563	156302		30			
1563	156303		35			
1563	156304		40			
1563	156306		25* 25	∇		
1563	156307		30* 30	∇		
1563	156308		40* 40	∇		
1564	156401	40	25	161,9	163,8	76,6
1564	156402		30			
1564	156403		35			
1564	156404		40			
1564	156406		25* 25	∇		
1564	156407		30* 30	∇		
1564	156408		40* 40	∇		

**Ruota rinvio divisa, fresata**

**Split idler sprocket, machined / geteiltes Umlenrad, gefräst**



Part	Article-Nr.	Z-	Bore	PD	OD	S
1561	156150	28	18*	113,4	115,4	52,4
1561	156151		25			
1561	156152		30			
1561	156153		35			
1561	156154		40			
1562	156250	36	18*	145,7	147,7	68,5
1562	156251		25			
1562	156252		30			
1562	156253		35			
1562	156254		40			
1563	156350	38	18*	153,8	155,8	72,6
1563	156351		25			
1563	156352		30			
1563	156353		35			
1563	156354		40			
1564	156450	40	18*	161,9	163,8	76,6
1564	156451		25			
1564	156452		30			
1564	156453		35			
1564	156454		40			

\*Plain Bore

# 521-520HD-522HD-520PROLBP

Ruote per tappeti / Belt sprockets / Kettenräder für Mattenketten

• Materiale / Material / Materialien:

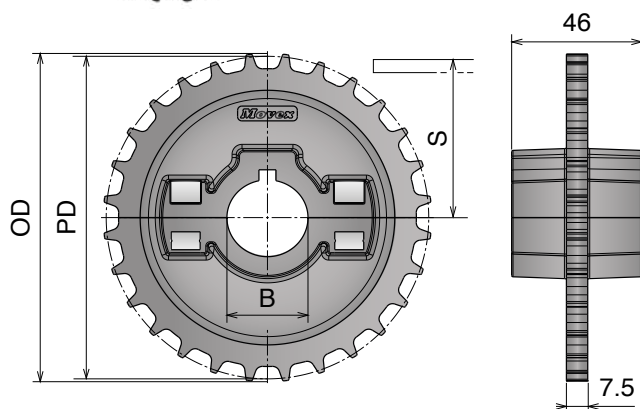
Poliamide/Polyamide/Polyamid

Viti: Acciaio inox/Screws: Stainless steel/Schrauben: Edelstahl

Dadi: ferro zincato/Nuts: zinc plated steel/Mutter: verzinkter Stahl

## 521-520HD-522HD-520PROLBP

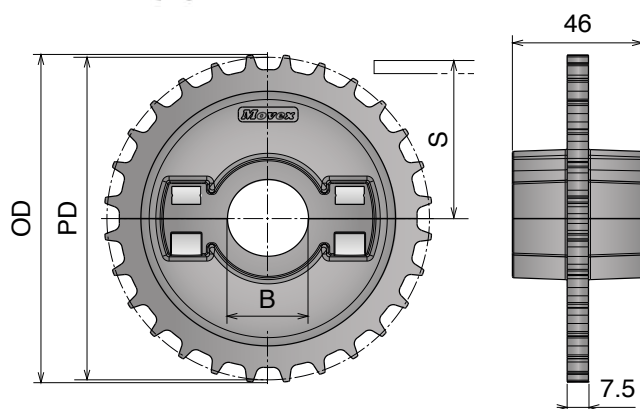
Ruota traino divisa, stampata  
Split drive sprocket, molded  
geteiltes Antriebskettenrad, gespritzt



Part	Article-Nr.	Z-	Bore	PD	OD	S
1630	163001	24	25	97,3	99,3	44,3
1630	163002		30			
1630	163003		35			
1630	163004		40			
1630	163006		25* 25	□		
1630	163007		30* 30	□		
1630	163008		40* 40	□		
1631	163101	28	25	113,4	115,4	52,4
1631	163102		30			
1631	163103		35			
1631	163104		40			
1631	163106		25* 25	□		
1631	163107		30* 30	□		
1631	163108		40* 40	□		
1632	163201	36	25	145,7	147,7	68,5
1632	163202		30			
1632	163203		35			
1632	163204		40			
1632	163206		25* 25	□		
1632	163207		30* 30	□		
1632	163208		40* 40	□		

Ruota rinvio divisa, stampata

Split idler sprocket, molded / geteiltes Umlenkrad, gespritzt

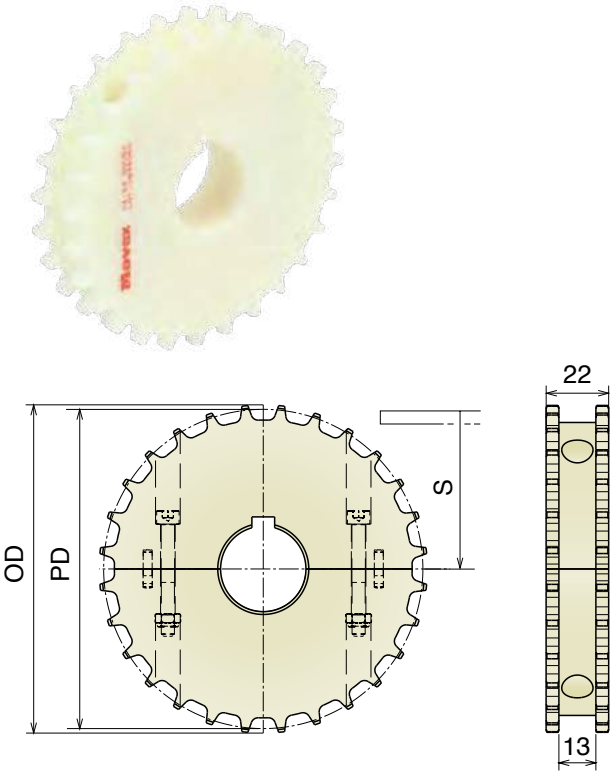


Part	Article-Nr.	Z-	Bore	PD	OD	S
1630	163051	24	25	97,3	99,3	44,3
1630	163052		30			
1630	163053		35			
1630	163054		40			
1631	163151	28	25	113,4	115,4	52,4
1631	163152		30			
1631	163153		35			
1631	163154		40			
1632	163251	36	25	145,7	147,7	68,5
1632	163252		30			
1632	163253		35			
1632	163254		40			

# 520 Ruota traino divisa, fresata

Split drive sprocket, machined / geteiltes Antriebskettenrad, gefräst

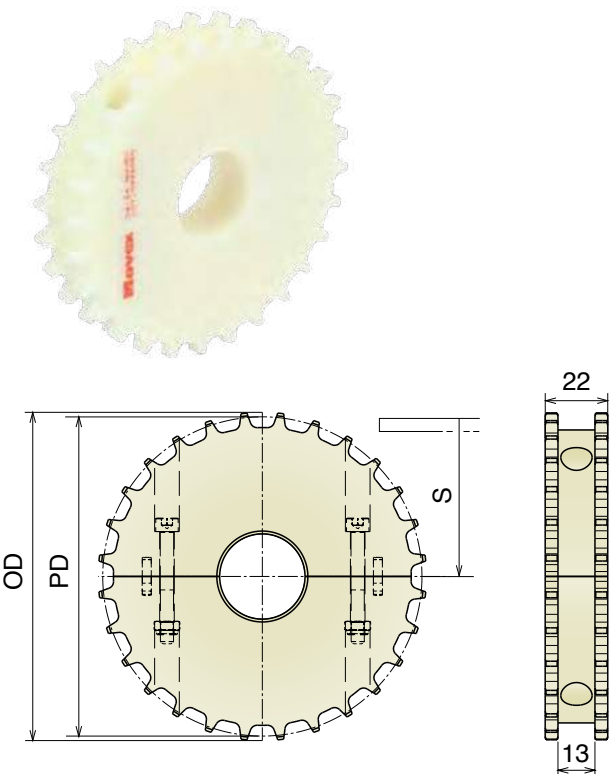
Delivery: **Easy** Standard



Part	Article-Nr.	Z-	Bore	PD	OD	S
1501	150101	28	25	113,4	115,4	52,4
1501	150102		30			
1501	150103		35			
1501	150104		40			
1501	150106		25* 25	□		
1501	150107		30* 30	□		
1501	150108		40* 40	□		
1502	150201	36	25	145,7	147,7	68,5
1502	150202		30			
1502	150203		35			
1502	150204		40			
1502	150206		25* 25	□		
1502	150207		30* 30	□		
1502	150208		40* 40	□		
1503	150301	38	25	153,8	155,8	72,6
1503	150302		30			
1503	150303		35			
1503	150304		40			
1503	150306		25* 25	□		
1503	150307		30* 30	□		
1503	150308		40* 40	□		
1504	150401	40	25	161,9	163,8	76,6
1504	150402		30			
1504	150403		35			
1503	150404		40			
1504	150406		25* 25	□		
1504	150407		30* 30	□		
1504	150408		40* 40	□		

# Ruota rinvio divisa, fresata

Split idler sprocket, machined / geteiltes Umlenkrad, gefräst



Part	Article-Nr.	Z-	Bore	PD	OD	S
1501	150150	28	18*	113,4	115,4	52,4
1501	150151		25			
1501	150152		30			
1501	150153		35			
1501	150154		40			
1502	150250	36	18*	145,7	147,7	68,5
1502	150251		25			
1502	150252		30			
1502	150253		35			
1502	150254		40			
1503	150350	38	18*	153,8	155,8	72,6
1503	150351		25			
1503	150352		30			
1503	150353		35			
1503	150354		40			
1504	150450	40	18*	161,9	163,8	76,6
1504	150451		25			
1504	150452		30			
1504	150453		35			
1504	150454		40			

\*Plain Bore

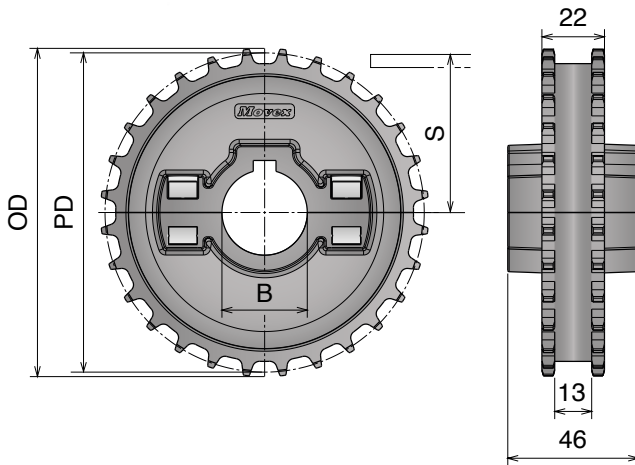
## • Materiale / Material / Materialien:

Poliammide rinforzato/Polyamide reinforced/Verstärktes Polyamid  
 Viti: Acciaio inox/Screws: Stainless steel/Schrauben: Edelstahl  
 Dadi: Ottone nichelato/Nuts: Nickel plated brass/Mutter: Messing

## 520

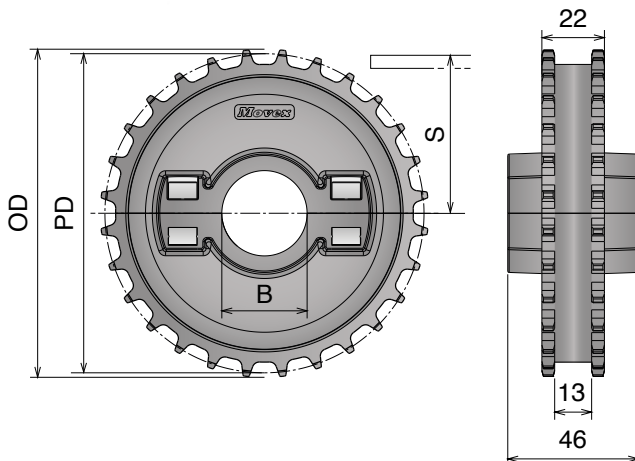
Ruota traino divisa, stampata  
 Split drive sprocket, molded / geteiltes Antriebskettenrad, gespritzt

Delivery: **Easy** **Standard**



### Ruota rinvio divisa, stampata

Split idler sprocket, molded / geteiltes Umlenkrad, gespritzt



Part	Article-Nr.	Z-	Bore	PD	OD	S
1505	150501	24	25	97,3	99,3	44,3
1505	150502		30			
1505	150503		35			
1505	150504		40			
1505	150506		25*25	□		
1505	150507		30*30	□		
1505	150508		40*40	□		
1506	150601	28	25	113,4	115,4	52,4
1506	150602		30			
1506	150603		35			
1506	150604		40			
1506	150606		25*25	□		
1506	150607		30*30	□		
1506	150608		40*40	□		
1507	150701	36	25	145,7	147,7	68,5
1507	150702		30			
1507	150703		35			
1507	150704		40			
1507	150706		25*25	□		
1507	150707		30*30	□		
1507	150708		40*40	□		

Part	Article-Nr.	Z-	Bore	PD	OD	S
1505	150551	24	25	97,3	99,3	44,3
1505	150552		30			
1505	150553		35			
1505	150554		40			
1506	150651	28	25	113,4	115,4	52,4
1506	150652		30			
1506	150653		35			
1506	150654		40			
1507	150751	36	25	145,7	147,7	68,5
1507	150752		30			
1507	150753		35			
1507	150754		40			

**Materiale / Material / Materialien:**

Poliamide/Polyamide/Polyamid

Viti: Acciaio inox/Screws: Stainless steel/Schrauben: Edelstahl

Dadi: ferro zincato/Nuts: zinc plated steel/Mutter: verzinkter Stahl

**525-530**

Ruote per tappeti / Belt sprockets / Kettenräder für Mattenketten

**525-530**

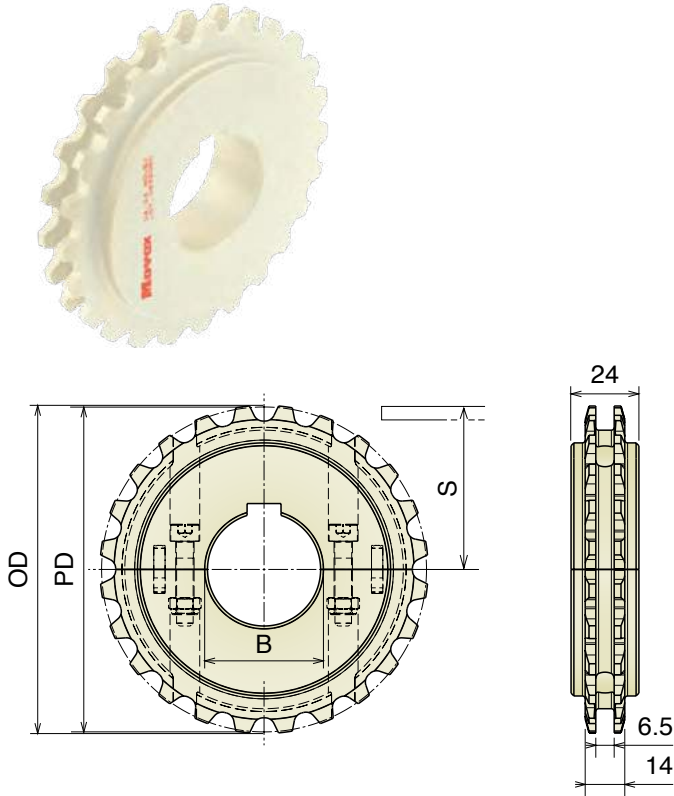
**Ruota traino divisa, fresata**

*Split drive sprocket, machined / geteiltes Antriebskettenrad, gefräst*

Delivery: **Easy** **Standard**

Part	Article-Nr.	Z-	Bore	PD	OD	S
1581	<b>158101E</b>	12**	25	58,1	58,2	24,6
1581	<b>158106E</b>		25x25 □			
1582	<b>158201E</b>	16**	25	77,1	77,7	34,2
1582	<b>158202E</b>		30			
1582	<b>158206E</b>		25x25 □			
1582	<b>158207E</b>		30x30 □			
1583	<b>158301</b>	24	25	114,9	115,5	53,5
1583	<b>158302</b>		30			
1583	<b>158303</b>		35			
1583	<b>158304</b>		40			
1583	<b>158306</b>		25x25 □			
1583	<b>158307</b>		30x30 □			
1583	<b>158308</b>		40x40 □			
1584	<b>158401</b>	32	25	153,4	154,8	72,5
1584	<b>158402</b>		30			
1584	<b>158403</b>		35			
1584	<b>158404</b>		40			
1584	<b>158406</b>		25x25 □			
1584	<b>158407</b>		30x30 □			
1584	<b>158408</b>		40x40 □			

\*\*Drive sprockets Z-12 and Z-16 are supplied non-split.



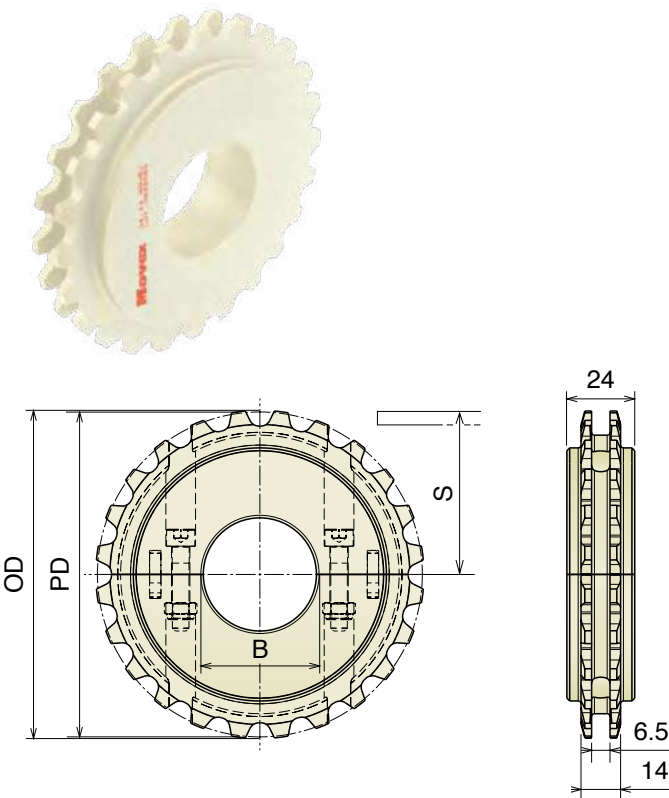
**Ruota rinvio divisa, fresata**

*Split idler sprocket, machined / geteiltes Umlenrad, gefräst*

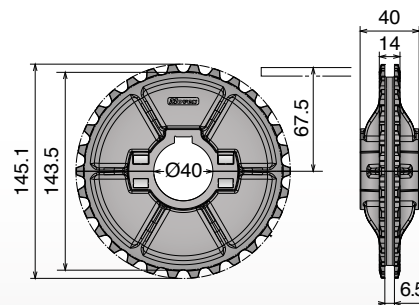
Part	Article-Nr.	Z-	Bore	PD	OD	S
1581	<b>158150E</b>	12**	18*	58,1	58,2	24,6
1581	<b>158151E</b>		25			
1582	<b>158250E</b>	16**	18*	77,1	77,7	34,2
1582	<b>158251E</b>		25			
1582	<b>158252E</b>		30			
1583	<b>158350</b>	24	18*	114,9	115,5	53,5
1583	<b>158351</b>		25			
1583	<b>158352</b>		30			
1583	<b>158353</b>		35			
1583	<b>158354</b>		40			
1584	<b>158450</b>	32	18*	153,4	154,8	72,5
1584	<b>158451</b>		25			
1584	<b>158452</b>		30			
1584	<b>158453</b>		35			
1584	<b>158454</b>		40			

\*\*Drive sprockets Z-12 and Z-16 are supplied non-split.

\*Plain Bore



**Z- 30 Sprockets are available as molded versions**



**Split drive sprocket**

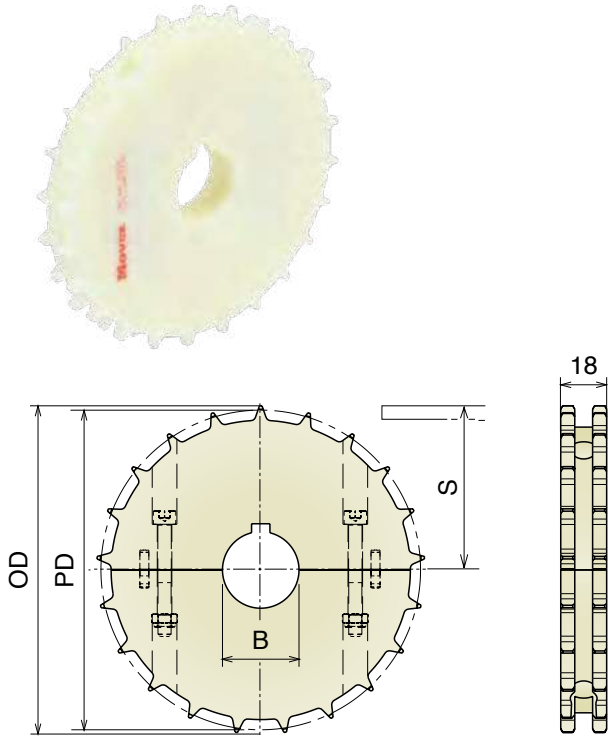
Article-Nr. **158704**

**Split idler sprocket**

Article-Nr. **158754**

## 590 Ruota traino divisa, fresata

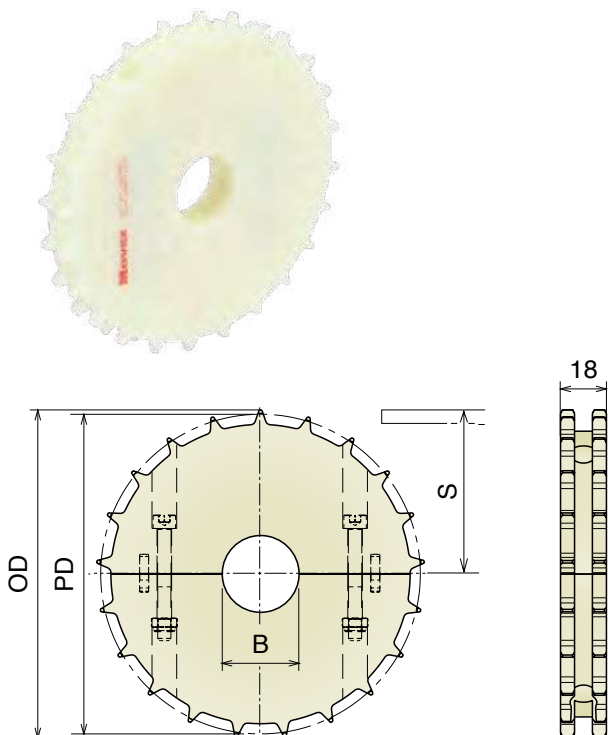
### Split drive sprocket, machined / geteiltes Antriebskettenrad, gefräst



Part	Article-Nr.	Z-	Bore	PD	OD	S
1511	151101	17	25	100,7	103,4	46,0
1511	151102		30			
1511	151103		35			
1511	151104		40			
1511	151106		25* 25	□		
1511	151107		30* 30	□		
1511	151108		40* 40	□		
1512	151201	21	25	126,0	128,7	58,65
1512	151202		30			
1512	151203		35			
1512	151204		40			
1512	151206		25* 25	□		
1512	151207		30* 30	□		
1512	151208		40* 40	□		
1513	151301	24	25	142,9	145,6	67,1
1513	151302		30			
1513	151303		35			
1513	151304		40			
1513	151306		25* 25	□		
1513	151307		30* 30	□		
1513	151308		40* 40	□		
1514	151401	25	25	149,0	151,7	70,15
1514	151402		30			
1514	151403		35			
1514	151404		40			
1514	151406		25* 25	□		
1514	151407		30* 30	□		
1514	151408		40* 40	□		

## Ruota rinvio divisa, fresata

### Split idler sprocket, machined / geteiltes Umlenkrad, gefräst



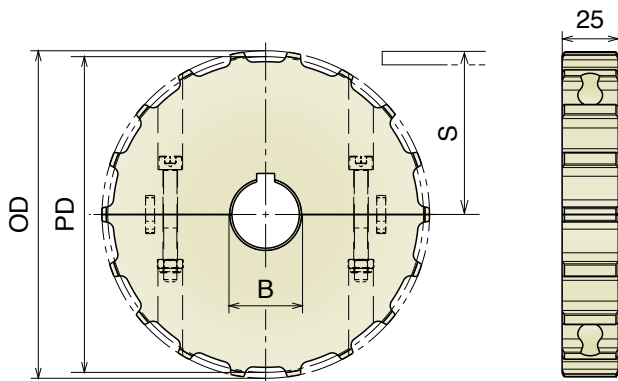
Part	Article-Nr.	Z-	Bore	PD	OD	S
1511	151150	17	18*	100,7	103,4	46,0
1511	151151		25			
1511	151152		30			
1511	151153		35			
1511	151154		40			
1512	151250	21	18*	126,0	128,7	58,65
1512	151251		25			
1512	151252		30			
1512	151253		35			
1512	151254		40			
1513	151350	24	18*	142,9	145,6	67,1
1513	151351		25			
1513	151352		30			
1513	151353		35			
1513	151354		40			
1514	151450	25	18*	149,0	151,7	70,15
1514	151451		25			
1514	151452		30			
1514	151453		35			
1514	151454		40			

\*Plain Bore

# 550 Ruota traino divisa, fresata

## Split drive sprocket, machined / geteiltes Antriebskettenrad, gefräst

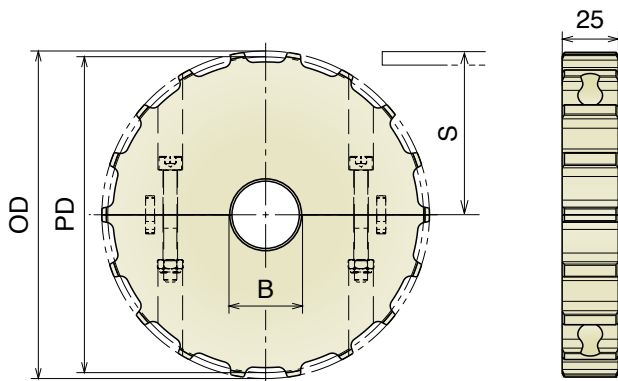
Delivery: **Easy** Standard



Part	Article-Nr.	Z-	Bore	PD	OD	S
1521	152101	14	25	114,1	114,0	52,7
1521	152102		30			
1521	152103		35			
1521	152104		40			
1521	152106		25* 25	□		
1521	152107		30* 30	□		
1521	152108		40* 40	□		
1522	152201	16	25	130,2	130,0	60,7
1522	152202		30			
1522	152203		35			
1522	152204		40			
1522	152206		25* 25	□		
1522	152207		30* 30	□		
1522	152208		40* 40	□		
1523	152301	18	25	146,3	146,0	68,8
1523	152302		30			
1523	152303		35			
1523	152304		40			
1523	152306		25* 25	□		
1523	152307		30* 30	□		
1523	152308		40* 40	□		
1524	152401	20	25	162,4	162,0	76,8
1524	152402		30			
1524	152403		35			
1524	152404		40			
1524	152406		25* 25	□		
1524	152407		30* 30	□		
1524	152408		40* 40	□		

# Ruota rinvio divisa, fresata

## Split idler sprocket, machined / geteiltes Umlenrad, gefräst



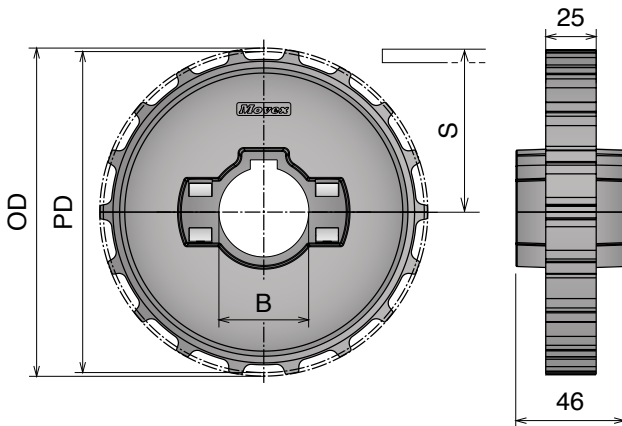
Part	Article-Nr.	Z-	Bore	PD	OD	S
1521	152150	14	18*	114,1	114,0	52,7
1521	152151		25			
1521	152152		30			
1521	152153		35			
1521	152154		40			
1522	152250	16	18*	130,2	130,0	60,7
1522	152251		25			
1522	152252		30			
1522	152253		35			
1522	152254		40			
1523	152350	18	18*	146,3	146,0	68,8
1523	152351		25			
1523	152352		30			
1523	152353		35			
1523	152354		40			
1524	152450	20	18*	162,4	162,0	76,8
1524	152451		25			
1524	152452		30			
1524	152453		35			
1524	152454		40			

\*Plain Bore

## 550

Ruota traino divisa, stampata

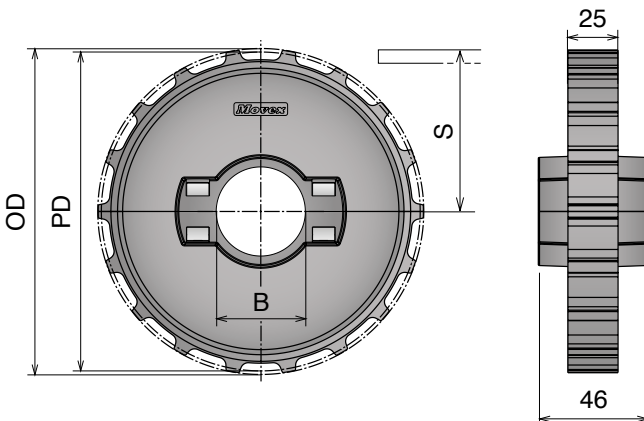
Split drive sprocket, molded / geteiltes Antriebskettenrad, gespritzt

Delivery: **Easy** **Standard**

Part	Article-Nr.	Z-	Bore	PD	OD	S
1525	152501	14	25	114,1	114,0	52,7
1525	152502		30			
1525	152503		35			
1525	152504		40			
1525	152506		25* 25	□		
1525	152507		30* 30	□		
1525	152508		40* 40	□		
1526	152601	16	25	130,2	130,0	60,7
1526	152602		30			
1526	152603		35			
1526	152604		40			
1526	152606		25* 25	□		
1526	152607		30* 30	□		
1526	152608		40* 40	□		
1527	152701	18	25	146,3	146,0	68,8
1527	152702		30			
1527	152703		35			
1527	152704		40			
1527	152706		25* 25	□		
1527	152707		30* 30	□		
1527	152708		40* 40	□		
1528	152801	20	25	162,4	162,0	76,8
1528	152802		30			
1528	152803		35			
1528	152804		40			
1528	152806		25* 25	□		
1528	152807		30* 30	□		
1528	152808		40* 40	□		

Ruota rinvio divisa, stampata

Split idler sprocket, molded / geteiltes Umlenrad, gespritzt



Part	Article-Nr.	Z-	Bore	PD	OD	S
1525	152551	14	25	114,1	114,0	52,7
1525	152552		30			
1525	152553		35			
1525	152554		40			
1526	152651	16	25	130,2	130,0	60,7
1526	152652		30			
1526	152653		35			
1526	152654		40			
1527	152751	18	25	146,3	146,0	68,8
1527	152752		30			
1527	152753		35			
1527	152754		40			
1528	152851	20	25	162,4	162,0	76,8
1528	152852		30			
1528	152853		35			
1528	152854		40			



**Materiale / Material / Materialien:**

Poliamide/Polyamide/Polyamid

Viti: Acciaio inox/Screws: Stainless steel/Schrauben: Edelstahl

Dadi: ferro zincato/Nuts: zinc plated steel/Mutter: verzinkter Stahl

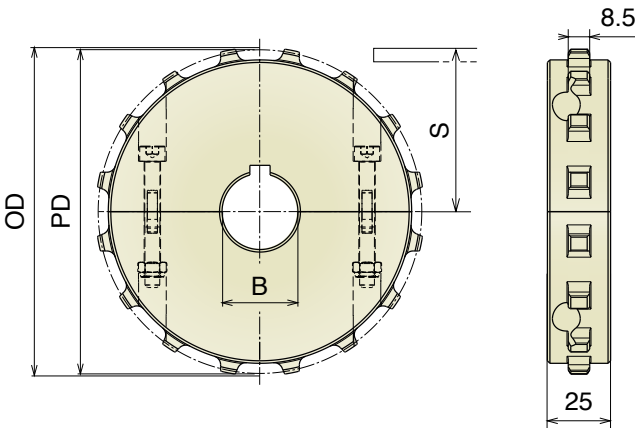
# 550 PRO

Ruote per tappeti / Belt sprockets / Kettenräder für Mattenketten

## 550 PRO

Ruota traino divisa, fresata

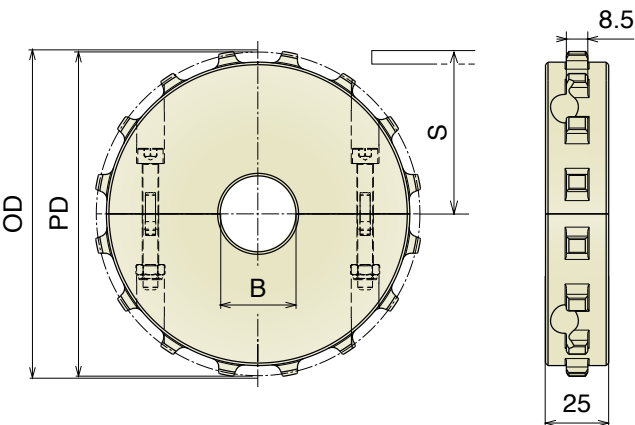
Split drive sprocket, machined / geteiltes Antriebskettenrad, gefräst



Part	Article-Nr.	Z-	Bore	PD	OD	S
1640	164001	14	25	114,1	114,0	52,7
1640	164002		30			
1640	164003		35			
1640	164004		40			
1640	164006		25* 25	□		
1640	164007		30* 30	□		
1640	164008		40* 40	□		
1641	164101	16	25	130,2	130,0	60,7
1641	164102		30			
1641	164103		35			
1641	164104		40			
1641	164106		25* 25	□		
1641	164107		30* 30	□		
1641	164108		40* 40	□		
1642	164201	18	25	146,3	146,0	68,8
1642	164202		30			
1642	164203		35			
1642	164204		40			
1642	164206		25* 25	□		
1642	164207		30* 30	□		
1642	164208		40* 40	□		
1643	164301	20	25	162,4	162,0	76,8
1643	164302		30			
1643	164303		35			
1643	164304		40			
1643	164306		25* 25	□		
1643	164307		30* 30	□		
1643	164308		40* 40	□		

Ruota rinvio divisa, fresata

Split idler sprocket, machined / geteiltes Umlenrad, gefräst



Part	Article-Nr.	Z-	Bore	PD	OD	S
1640	164050	14	18*	114,1	114,0	52,7
1640	164051		25			
1640	164052		30			
1640	164053		35			
1640	164054		40			
1641	164150	16	18*	130,2	130,0	60,7
1641	164151		25			
1641	164152		30			
1641	164153		35			
1641	164154		40			
1642	164250	18	18*	146,3	146,0	68,8
1642	164251		25			
1642	164252		30			
1642	164253		35			
1642	164254		40			
1643	164350	20	18*	162,4	162,0	76,8
1643	164351		25			
1643	164352		30			
1643	164353		35			
1643	164354		40			

\*Plain Bore

# 550 PRO

Ruote per tappeti / Belt sprockets / Kettenräder für Mattenketten

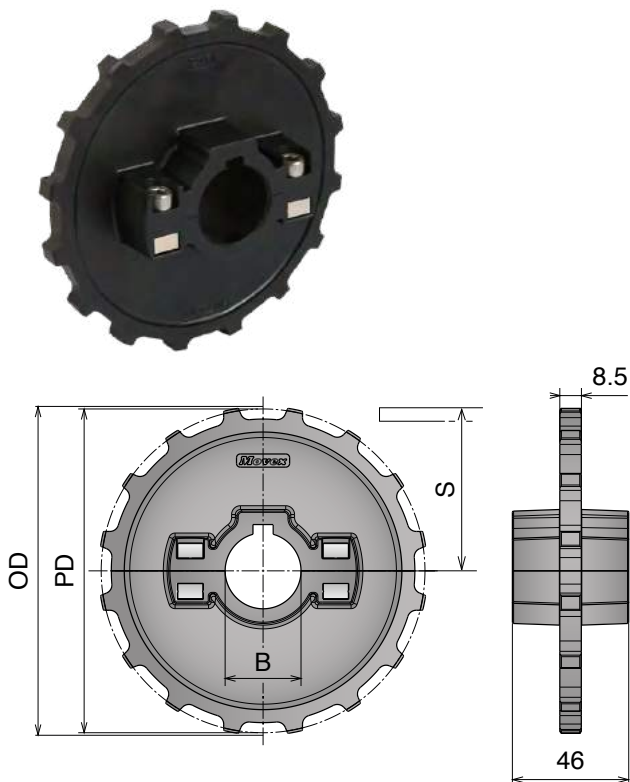
## Materiali / Material / Materialien:

Poliammide rinforzato / Polyamide reinforced / Verstärktes Polyamid  
 Viti: Acciaio inox / Screws: Stainless steel / Schrauben: Edelstahl  
 Dadi: Ottone nichelato / Nuts: Nickel plated brass / Mutter: Messing

## 550 PRO

Ruota traino divisa, stampata

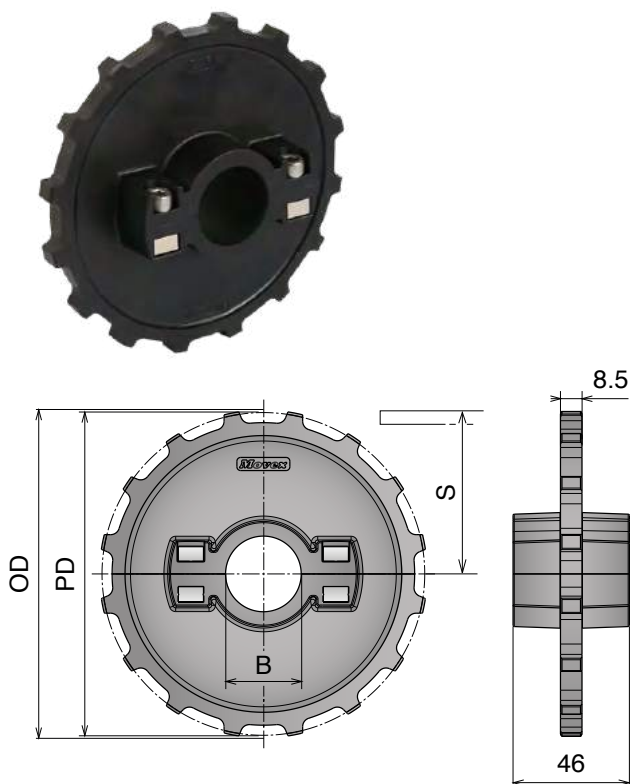
Split drive sprocket, molded / geteiltes Antriebskettenrad, gespritzt



Part	Article-Nr.	Z-	Bore	PD	OD	S
1650	165001	14	25	114,1	114,0	52,7
1650	165002		30			
1650	165003		35			
1650	165004		40			
1650	165006		25*25	□		
1650	165007		30*30	□		
1650	165008		40*40	□		
1651	165101	16	25	130,2	130,0	60,7
1651	165102		30			
1651	165103		35			
1651	165104		40			
1651	165106		25*25	□		
1651	165107		30*30	□		
1651	165108		40*40	□		
1652	165201	18	25	146,3	146,0	68,8
1652	165202		30			
1652	165203		35			
1652	165204		40			
1652	165206		25*25	□		
1652	165207		30*30	□		
1652	165208		40*40	□		
1653	165301	20	25	162,4	162,0	76,8
1653	165302		30			
1653	165303		35			
1653	165304		40			
1653	165306		25*25	□		
1653	165307		30*30	□		
1653	165308		40*40	□		

Ruota rinvio divisa, stampata

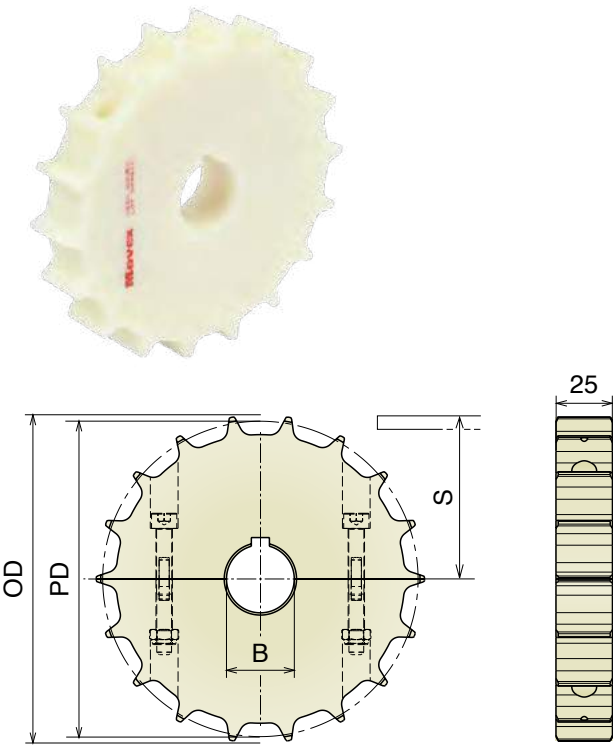
Split idler sprocket, molded / geteiltes Umlenrad, gespritzt



Part	Article-Nr.	Z-	Bore	PD	OD	S
1650	165051	14	25	114,1	114,0	52,7
1650	165052		30			
1650	165053		35			
1650	165054		40			
1651	165151	16	25	130,2	130,0	60,7
1651	165152		30			
1651	165153		35			
1651	165154		40			
1652	165251	18	25	146,3	146,0	68,8
1652	165252		30			
1652	165253		35			
1652	165254		40			
1653	165351	20	25	162,4	162,0	76,8
1653	165352		30			
1653	165353		35			
1653	165354		40			

# 551 Ruota traino divisa, fresata

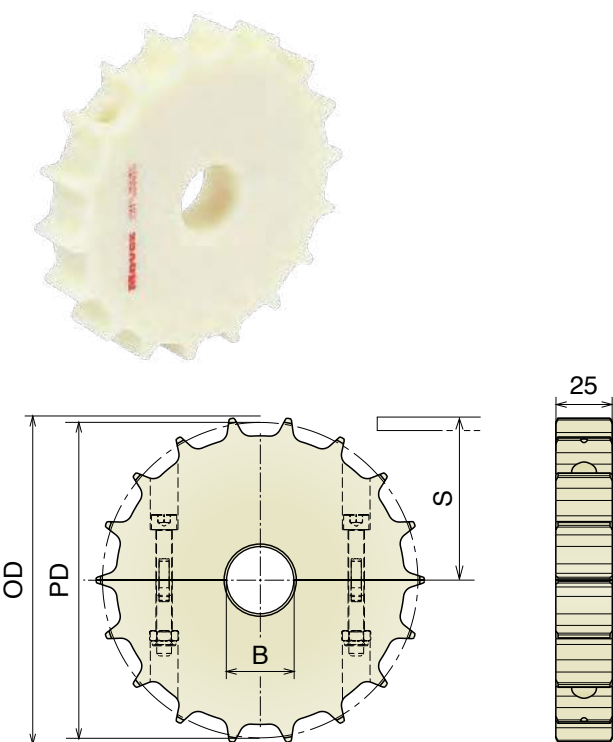
Split drive sprocket, machined / geteiltes Antriebskettenrad, gefräst



Part	Article-Nr.	Z-	Bore	PD	OD	S
1539	153901	11	25	90,2	92,0	39,7
1539	153902		30			
1539	153903E		35			
1539	153904E		40			
1539	153906		25* 25	□		
1539	153907		30* 30	□		
1539	153908E		40* 40	□		
1531	153101	14	25	114,2	113,5	50,7
1531	153102		30			
1531	153103		35			
1531	153104		40			
1531	153106		25* 25	□		
1531	153107		30* 30	□		
1531	153108		40* 40	□		
1532	153201	16	25	130,2	129,0	58,7
1532	153202		30			
1532	153203		35			
1532	153204		40			
1532	153206		25* 25	□		
1532	153207		30* 30	□		
1532	153208		40* 40	□		
1533	153301	18	25	146,3	145,3	66,7
1533	153302		30			
1533	153303		35			
1533	153304		40			
1533	153306		25* 25	□		
1533	153307		30* 30	□		
1533	153308		40* 40	□		
1534	153401	20	25	162,4	161,7	74,8
1534	153402		30			
1534	153403		35			
1534	153404		40			
1534	153406		25* 25	□		
1534	153407		30* 30	□		
1534	153408		40* 40	□		

# Ruota rinvio divisa, fresata

Split idler sprocket, machined / geteiltes Umlenrad, gefräst



Part	Article-Nr.	Z-	Bore	PD	OD	S
1634	163401	21	25	170,4	169,7	78,9
1634	163402		30			
1634	163403		35			
1634	163404		40			
1634	163406		25* 25	□		
1634	163407		30* 30	□		
1634	163408		40* 40	□		

Part	Article-Nr.	Z-	Bore	PD	OD	S
1539	153950	11	18*	90,2	92,0	39,7
1539	153951		25			
1539	153952		30			
1539	153953E		35			
1539	153954E		40			
1531	153150	14	18*	114,2	114,0	50,7
1531	153151		25			
1531	153152		30			
1531	153153		35			
1531	153154		40			
1532	153250	16	18*	130,2	129,0	58,7
1532	153251		25			
1532	153252		30			
1532	153253		35			
1532	153254		40			
1533	153350	18	18*	146,3	145,3	66,7
1533	153351		25			
1533	153352		30			
1533	153353		35			
1533	153354		40			
1534	153450	20	18*	162,4	161,7	74,8
1534	153451		25			
1534	153452		30			
1534	153453		35			
1534	153454		40			
1634	163450	21	18*	170,4	169,7	78,9
1634	163451		25			
1634	163452		30			
1634	163453		35			
1634	163454		40			

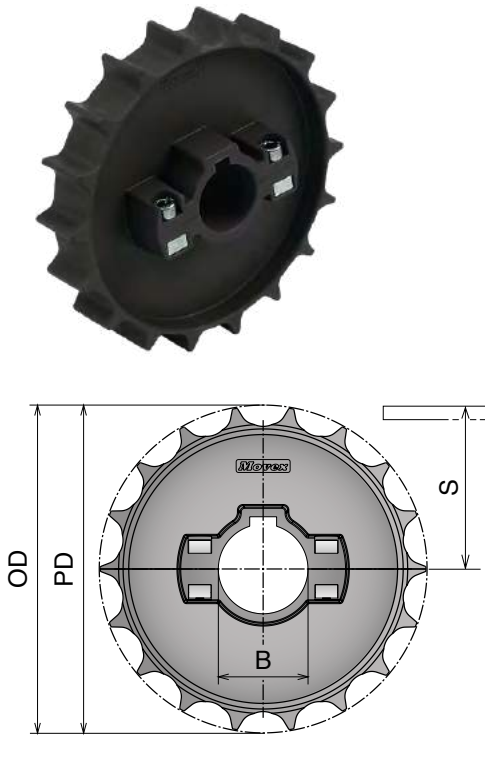
\*Plain Bore

## Materiale / Material / Materialien:

Poliammide rinforzato/Polyamide reinforced/Verstärktes Polyamid  
 Viti: Acciaio inox/Screws: Stainless steel/Schrauben: Edelstahl  
 Dadi: Ottone nichelato/Nuts: Nickel plated brass/Mutter: Messing

## 551 Ruota traino divisa, stampata

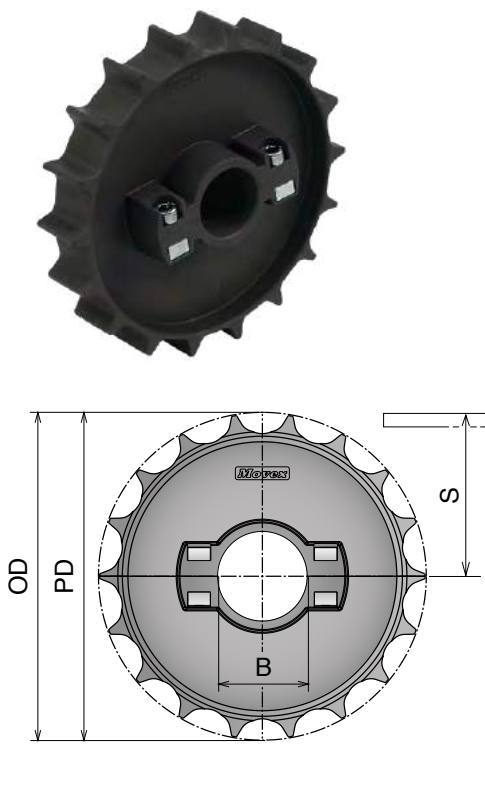
### Split drive sprocket, molded / geteiltes Antriebskettenrad, gespritzt

Delivery: **Easy** **Standard**

Part	Article-Nr.	Z-	Bore	PD	OD	S
1535	153501	14	25	114,2	113,5	50,7
1535	153502		30			
1535	153503		35			
1535	153504		40			
1535	153506		25* 25	□		
1535	153507		30* 30	□		
1535	153508		40* 40	□		
1536	153601	16	25	130,2	129,0	58,7
1536	153602		30			
1536	153603		35			
1536	153604		40			
1536	153606		25* 25	□		
1536	153607		30* 30	□		
1536	153608		40* 40	□		
1537	153701	18	25	146,3	145,3	66,7
1537	153702		30			
1537	153703		35			
1537	153704		40			
1537	153706		25* 25	□		
1537	153707		30* 30	□		
1537	153708		40* 40	□		
1538	153801	20	25	162,4	161,7	74,8
1538	153802		30			
1538	153803		35			
1538	153804		40			
1538	153806		25* 25	□		
1538	153807		30* 30	□		
1538	153808		40* 40	□		

## Ruota rinvio divisa, stampata

### Split idler sprocket, molded / geteiltes Umlenkrad, gespritzt



Part	Article-Nr.	Z-	Bore	PD	OD	S
1535	153551	14	25	114,2	113,5	50,7
1535	153552		30			
1535	153553		35			
1535	153554		40			
1536	153651	16	25	130,2	129,0	58,7
1536	153652		30			
1536	153653		35			
1536	153654		40			
1537	153751	18	25	146,3	145,3	66,7
1537	153752		30			
1537	153753		35			
1537	153754		40			
1538	153851	20	25	162,4	161,7	74,8
1538	153852		30			
1538	153853		35			
1538	153854		40			

**Materiale / Material / Materialien:**

Poliammide/Polyamide/Polyamid

Viti: Acciaio inox/Screws: Stainless steel/Schrauben: Edelstahl

Dadi: ferro zincato/Nuts: zinc plated steel/Mutter: verzinkter Stahl

# 552

**Ruota traino divisa, fresata**  
*Split drive sprocket, machined / geteiltes Antriebskettenrad, gefräst*

Part	Article-Nr.	Z-	Bore	PD	OD	S
1611	161101	16	25	130,2	130,6	58,7
1611	161102		30			
1611	161103		35			
1611	161104		40			
1611	161106		25* 25	□		
1611	161107		30* 30	□		
1611	161108		40* 40	□		
1612	161201	18	25	146,3	146,9	66,8
1612	161202		30			
1612	161203		35			
1612	161204		40			
1612	161206		25* 25	□		
1612	161207		30* 30	□		
1612	161208		40* 40	□		
1613	161301	21	25	170,4	170,7	78,8
1613	161302		30			
1613	161303		35			
1613	161304		40			
1613	161306		25* 25	□		
1613	161307		30* 30	□		
1613	161308		40* 40	□		
1614	161401	25	25	202,7	204,2	95,0
1614	161402		30			
1614	161403		35			
1614	161404		40			
1614	161406		25* 25	□		
1614	161407		30* 30	□		
1614	161408		40* 40	□		

**Ruota rinvio divisa, fresata**  
*Split idler sprocket, machined / geteiltes Umlenrad, gefräst*

Part	Article-Nr.	Z-	Bore	PD	OD	S
1611	161150	16	18*	130,2	130,6	58,7
1611	161151		25			
1611	161152		30			
1611	161153		35			
1611	161154		40			
1612	161250	18	18*	146,3	146,9	66,8
1612	161251		25			
1612	161252		30			
1612	161253		35			
1612	161254		40			
1613	161350	21	18*	170,4	170,7	78,8
1613	161351		25			
1613	161352		30			
1613	161353		35			
1613	161354		40			
1614	161450	25	18*	202,7	204,2	95,0
1614	161451		25			
1614	161452		30			
1614	161453		35			
1614	161454		40			

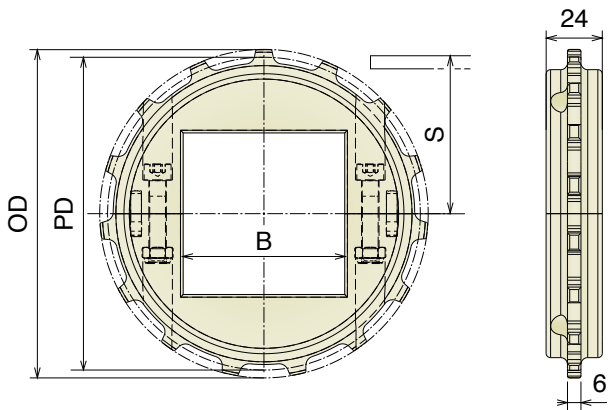
\*Plain Bore

NEW

553

Ruota traino divisa, fresata

Split drive sprocket, machined / geteiltes Antriebskettenrad, gefräst



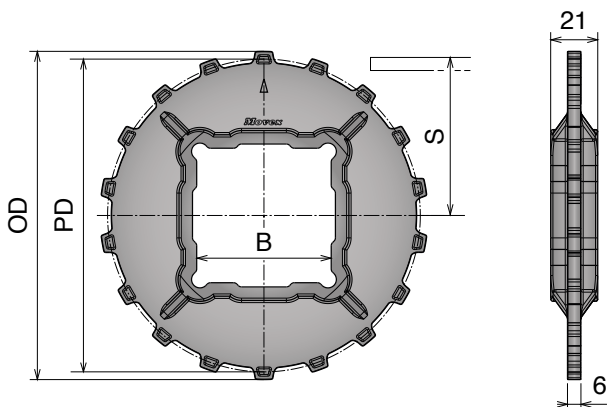
Part	Article-Nr.	Z-	Bore	PD	OD	S
1661	166108	12	40x40	98,1	97,6	44,5
1662	166208	15	40x40	122,2	121,9	56,5
1662	166210		60x60			
1663	166308	18	40x40	146,3	146,0	68,5
1663	166310		60x60			
1663	166311		65x65			

NEW

553

Ruota traino, stampata

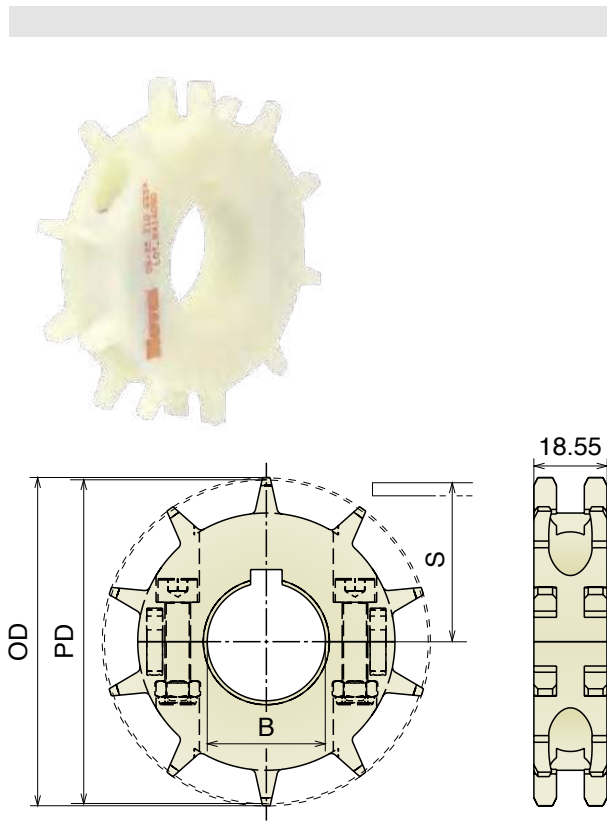
drive sprocket, molded / Antriebskettenrad, gespritzt



Part	Article-Nr.	Z-	Bore	PD	OD	S
1665	166511	18	40x40	146,3	146,0	68,5
1665	166510		60x60			

# 556 Ruota traino divisa, fresata

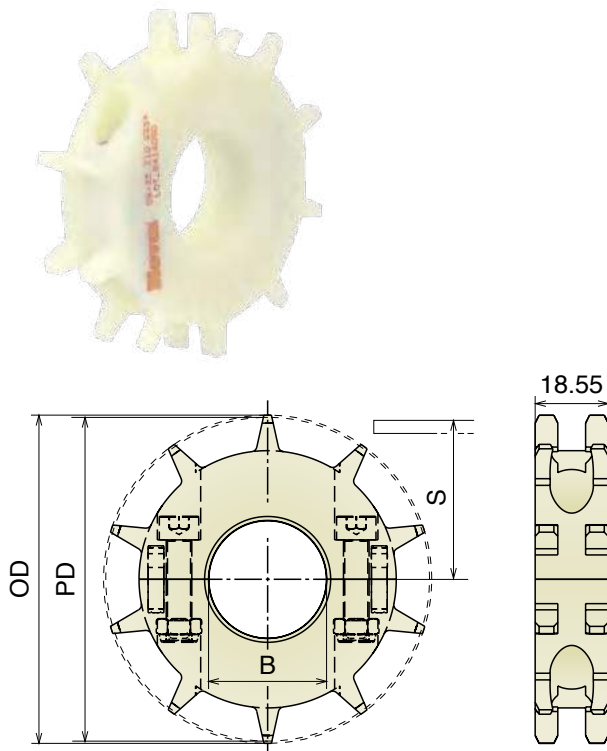
Split drive sprocket, machined / geteiltes Antriebskettenrad, gefräst



Part	Article-Nr.	Z-	Bore	PD	OD	S
1620	162001	10	25	82,2	83,3	33,0
1620	162002		30			
1620	162003E		35			
1620	162004E		40			
1620	162006		25* 25	□		
1620	162007		30* 30	□		
1620	162008E		40* 40	□		
1621	162101	12	25	98,1	100,0	41,0
1621	162102		30			
1621	162103		35			
1621	162104		40			
1621	162106		25* 25	□		
1621	162107		30* 30	□		
1621	162108E		40* 40	□		
1622	162201	15	25	122,2	124,3	53,0
1622	162202		30			
1622	162203		35			
1622	162204		40			
1622	162206		25* 25	□		
1622	162207		30* 30	□		
1622	162208		40* 40	□		
1623	162301	18	25	146,3	147,8	65,0
1623	162302		30			
1623	162303		35			
1623	162304		40			
1623	162306		25* 25	□		
1623	162307		30* 30	□		
1623	162308		40* 40	□		

# Ruota rinvio divisa, fresata

Split idler sprocket, machined / geteiltes Umlenkrad, gefräst



Part	Article-Nr.	Z-	Bore	PD	OD	S
1620	162050	10	18*	82,2	83,3	33,0
1620	162051		25			
1620	162052		30			
1620	162053E		35			
1620	162054E		40			
1621	162150	12	18*	98,1	100,0	41,0
1621	162151		25			
1621	162152		30			
1621	162153		35			
1621	162154		40			
1622	162250	15	18*	122,2	124,3	53,0
1622	162251		25			
1622	162252		30			
1622	162253		35			
1622	162254		40			
1623	162350	18	18*	146,3	147,8	65,0
1623	162351		25			
1623	162352		30			
1623	162353		35			
1623	162354		40			

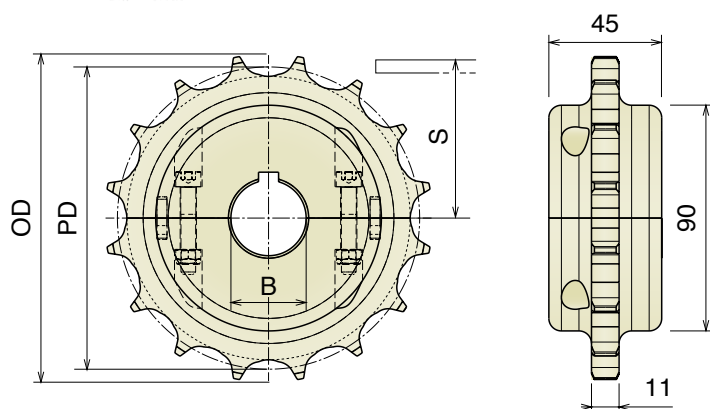
\*Plain Bore

## 260-261

Ruota traino divisa, fresata

Split drive sprocket, machined / geteiltes Antriebskettenrad, gefräst

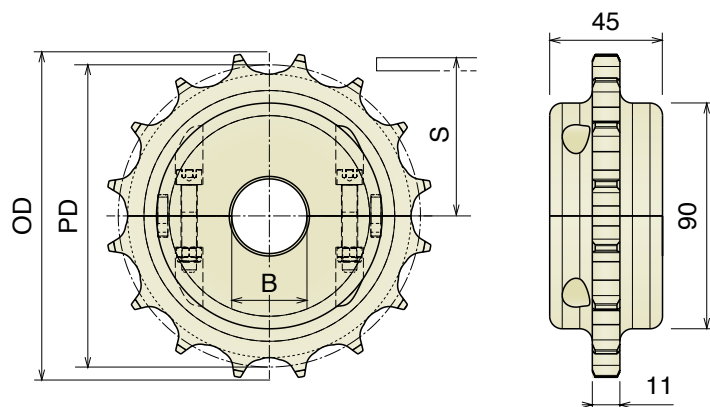
Delivery: **Easy** **Standard**



Part	Article-Nr.	Z-	Bore	PD	OD	S
1541	154101	16	25	128,9	130,9	67,8
1541	154102		30			
1541	154103		35			
1541	154104		40			
1542	154201	18	25	144,8	146,8	75,7
1542	154202		30			
1542	154203		35			
1542	154204		40			
1543	154301	19	25	154,3	156,3	80,5
1543	154302		30			
1543	154303		35			
1543	154304		40			

Ruota rinvio divisa, fresata

Split idler sprocket, machined / geteiltes Umlenrad, gefräst



Part	Article-Nr.	Z-	Bore	PD	OD	S
1541	154150	16	18*	128,9	130,9	67,8
1541	154151		25			
1541	154152		30			
1541	154153		35			
1541	154154		40			
1542	154250	18	18*	144,8	146,8	75,7
1542	154251		25			
1542	154252		30			
1542	154253		35			
1542	154254		40			
1543	154350	19	18*	154,3	156,3	80,5
1543	154351		25			
1543	154352		30			
1543	154353		35			
1543	154354		40			

\*Plain Bore



**Materiale / Material / Materialien:**

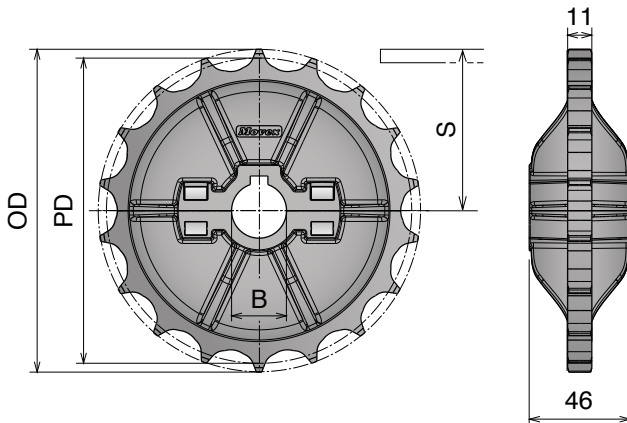
Poliammide rinforzato/Polyamide reinforced/Verstärktes Polyamid  
 Viti: Acciaio inox/Screws: Stainless steel/Schrauben: Edelstahl  
 Dadi: Ottone nichelato/Nuts: Nickel plated brass/Mutter: Messing

## 260-261

### Ruota traino divisa, stampata

### Split drive sprocket, molded / geteiltes Antriebskettenrad, gespritzt

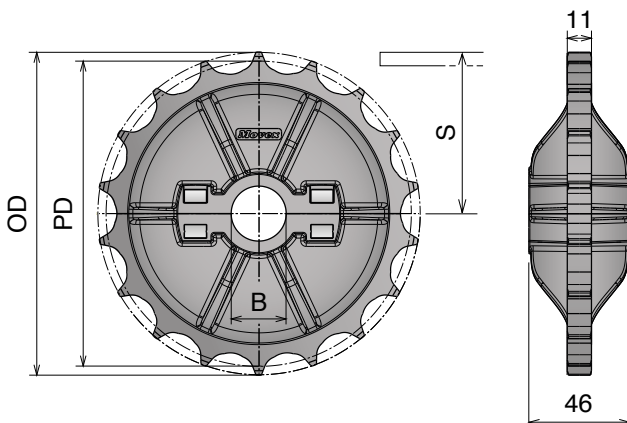
Delivery: **Easy** **Standard**



Part	Article-Nr.	Z-	Bore	PD	OD	S
1545	154501	16	25	128,9	130,9	67,8
1545	154502		30			
1545	154503		35			
1545	154504		40			
1545	154506		25* 25	□		
1545	154507		30* 30	□		
1545	154508		40* 40	□		
1546	154601	18	25	144,8	146,8	75,7
1546	154602		30			
1546	154603		35			
1546	154604		40			
1546	154606		25* 25	□		
1546	154607		30* 30	□		
1546	154608		40* 40	□		
1547	154701	19	25	154,3	156,3	80,5
1547	154702		30			
1547	154703		35			
1547	154704		40			
1547	154706		25* 25	□		
1547	154707		30* 30	□		
1547	154708		40* 40	□		

### Ruota rinvio divisa, stampata

### Split idler sprocket, molded / geteiltes Umlenkrad, gespritzt

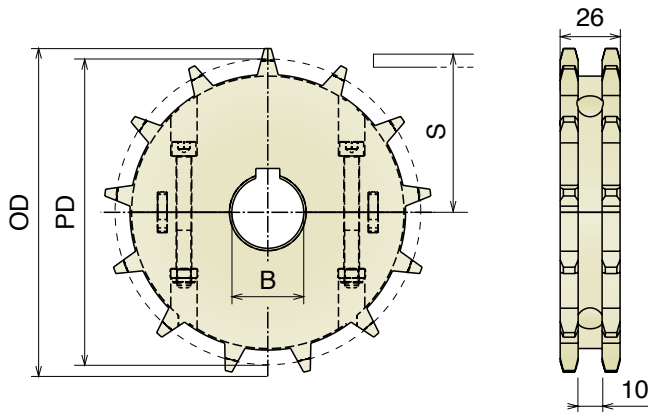
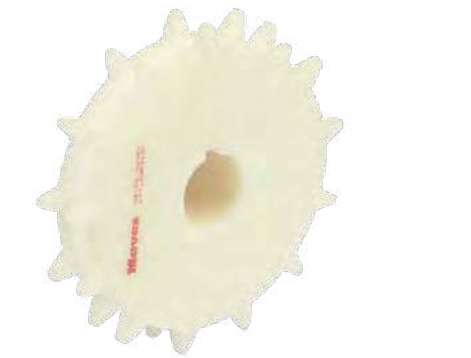


Part	Article-Nr.	Z-	Bore	PD	OD	S
1545	154551	16	25	128,9	130,9	67,8
1545	154552		30			
1545	154553		35			
1545	154554		40			
1546	154651	18	25	144,8	146,8	75,7
1546	154652		30			
1546	154653		35			
1546	154654		40			
1547	154751	19	25	154,3	156,3	80,5
1547	154752		30			
1547	154753		35			
1547	154754		40			

## 600

## Ruota traino divisa, fresata

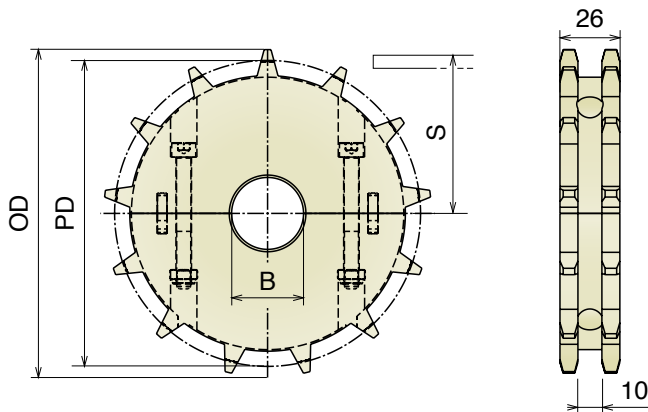
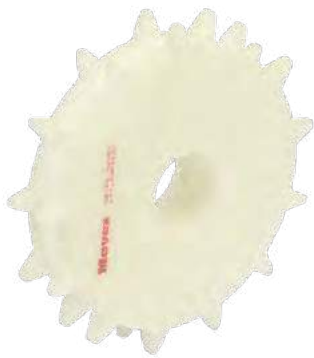
## Split drive sprocket, machined / geteiltes Antriebskettenrad, gefräst



Part	Article-Nr.	Z-	Bore	PD	OD	S
1571	157101	10	25	102,8	107,7	45,0
1571	157102		30			
1571	157103		35			
1571	157104		40			
1572	157201	13	25	132,7	138,8	60,0
1572	157202		30			
1572	157203		35			
1572	157204		40			
1573	157301	15	25	152,7	159,4	70,0
1573	157302		30			
1573	157303		35			
1573	157304		40			
1574	157401	16	25	162,8	169,6	75,0
1574	157402		30			
1574	157403		35			
1574	157404		40			

## Ruota rinvio divisa, fresata

## Split idler sprocket, machined / geteiltes Umlenrad, gefräst



Part	Article-Nr.	Z-	Bore	PD	OD	S
1571	157150	10	18*	102,8	107,7	45,0
1571	157151		25			
1571	157152		30			
1571	157153		35			
1571	157154		40			
1572	157250	13	18*	132,7	138,8	60,0
1572	157251		25			
1572	157252		30			
1572	157253		35			
1572	157254		40			
1573	157350	15	18*	152,7	159,4	70,0
1573	157351		25			
1573	157352		30			
1573	157353		35			
1573	157354		40			
1574	157450	16	18*	162,8	169,6	75,0
1574	157451		25			
1574	157452		30			
1574	157453		35			
1574	157454		40			

\*Plain Bore

**Materiale / Material / Materialien:**

Poliamide/Polyamide/Polyamid

Viti: Acciaio inox/Screws: Stainless steel/Schrauben: Edelstahl

Dadi: ferro zincato/Nuts: zinc plated steel/Mutter: verzinkter stahl

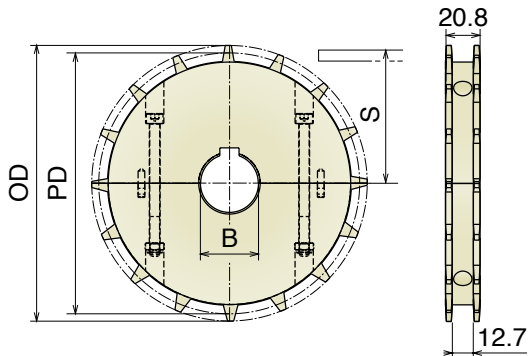
# 600 Support sprocket/Split support roller

Ruote per tappeti / Belt sprockets / Kettenräder für Mattenketten

## 600 Support sprocket

Ruota traino divisa, fresata  
Split drive sprocket, machined / geteiltes Antriebskettenrad gefräst

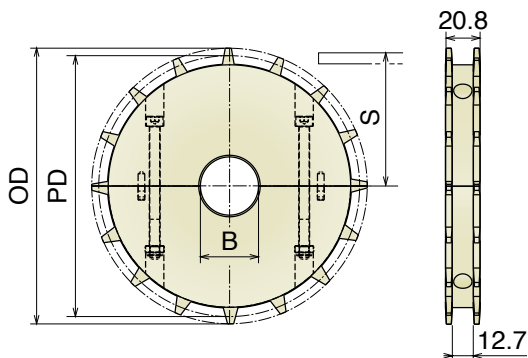
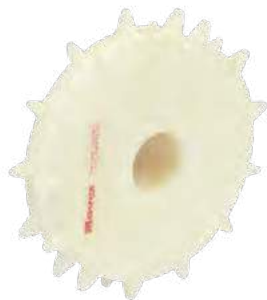
Designed to support Small radius section



Article-Nr.	Z-	Bore	PD	OD	S
157101SR	10	25	102,8	107,7	45,0
157102SR		30			
157103SR		35			
157104SR		40			
157201SR	13	25	132,7	138,8	60,0
157202SR		30			
157203SR		35			
157204SR		40			
157301SR	15	25	152,7	159,4	70,0
157302SR		30			
157303SR		35			
157304SR		40			
157401SR	16	25	162,8	169,6	75,0
157402SR		30			
157403SR		35			
157404SR		40			

Ruota rinvio divisa, fresata

Split idler sprocket, machined / geteiltes Umlenkrad, gefräst



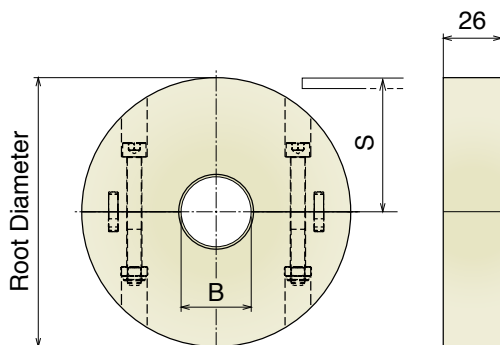
Article-Nr.	Z-	Bore	PD	OD	S
157150SR	10	18*	102,8	107,7	45,0
157151SR		25			
157152SR		30			
157153SR		35			
157154SR		40			
157250SR	13	18*	132,7	138,8	60,0
157251SR		25			
157252SR		30			
157253SR		35			
157254SR		40			
157350SR	15	18*	152,7	159,4	70,0
157351SR		25			
157352SR		30			
157353SR		35			
157354SR		40			
157450SR	16	18*	162,8	169,6	75,0
157451SR		25			
157452SR		30			
157453SR		35			
157454SR		40			

\*Plain Bore

## 600 Split support roller

Ruota rinvio liscia, divisa, fresata  
Split idler wheel, machined / geteilte Umlenkrolle, gefräst

Designed to support Small radius section



Article-Nr.	Z- eq.	Bore	Root Ø	S
157150R	10	18*	85,1	45,0
157151R		25		
157152R		30		
157153R		35		
157154R		40		
157250R	13	18*	115,0	60,0
157251R		25		
157252R		30		
157253R		35		
157254R		40		
157350R	15	18*	134,3	70,0
157351R		25		
157352R		30		
157353R		35		
157354R		40		
157450R	16	18*	146,8	75,0
157451R		25		
157452R		30		
157453R		35		
157454R		40		

Fix split support roller with split collars

Part 215 Pag 445



# ZERO CONTACT / ZERO CONTACT PRO

Ruote per tappeti / Belt sprockets / Kettenräder für Mattenketten

Materiali / Material / Materialien:  
Poliammide / Polyamide / Polyamid

## ZERO CONTACT

Ruota traino, fresata

Drive sprocket, machined / Antriebskettenrad, gefräst

Part	Article-Nr.	Z-	Bore	R <sub>i</sub> +50	PD	OD	S
1624	162401	12	40	650	58,0	61,0	25,6
1624	162402			750	66,0	69,0	29,9
1624	162403			850	76,0	79,0	34,2
1624	162404			950	84,0	86,0	38,5
1624	162405			1050	94,0	97,0	42,8
1624	162406			1150	102,0	104,0	47,1
1624	162407			1250	112,0	114,0	51,4
1624	162408			1350	119,0	122,0	55,7
1624	162409			1450	130,0	132,0	60,0
1624	162410			1550	137,0	140,0	64,3
1624	162411			1650	145,0	148,0	68,6
1624	162412			1750	154,0	157,0	72,9
1624	162413			1850	163,0	166,0	77,2
1624	162414			1950	171,0	174,0	81,5
1624	162415			2050	180,0	183,0	85,8
1624	162416			2150	189,0	192,0	90,1

**Smallest sprocket with integrated key valid only for code 162401**

NOTE: in order to install the smallest sprockets a shaft key way continued to the end of the shaft is required.

## ZERO CONTACT PRO

Ruota traino, fresata

Drive sprocket, machined / Antriebskettenrad, gefräst

Part	Article-Nr.	Z-	Bore	OD
1633	163301	13	30	45,9
1633	163302			52,0
1633	163303		40	58,0
1633	163304			64,1
1633	163305			70,2
1633	163306			76,2
1633	163307			82,3
1633	163308			88,3
1633	163309			94,4
1633	163310			100,5
1633	163311			106,6
1633	163312			112,6
1633	163313			118,7
1633	163314			124,7
1633	163315			130,8
1633	163316			136,9
1633	163317			142,9

**Materiale / Material / Materialien:**

Resina acetica/Acetal resin/Azetal

Viti: Acciaio inox/Screws: Stainless steel/Schrauben: Edelstahl

Dadi: Acciaio inox/Nuts: Stainless steel/Mutter: Edelstahl

# 500 RR

Ruote per tappeti / Belt sprockets / Kettenräder für Mattenketten

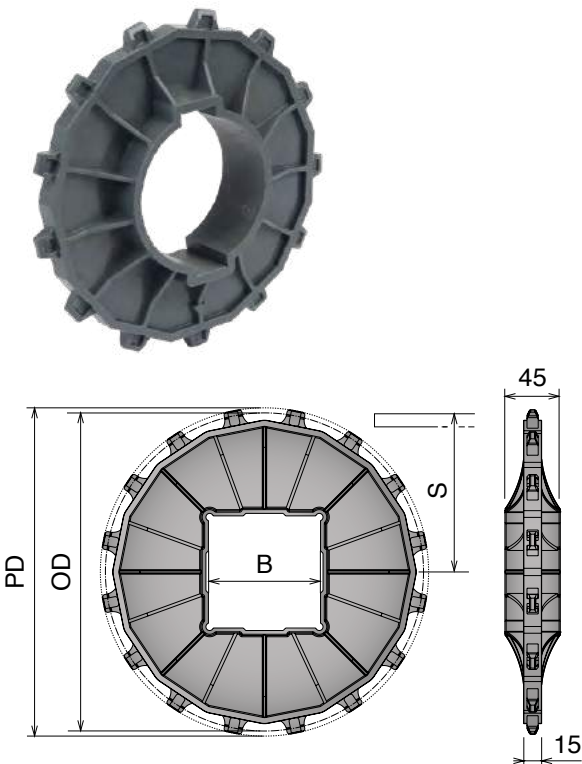
## 500 RR

Ruota traino, stampata

Drive sprocket, molded / Antriebskettenrad, gespritzt

Delivery: **Easy** **Standard**

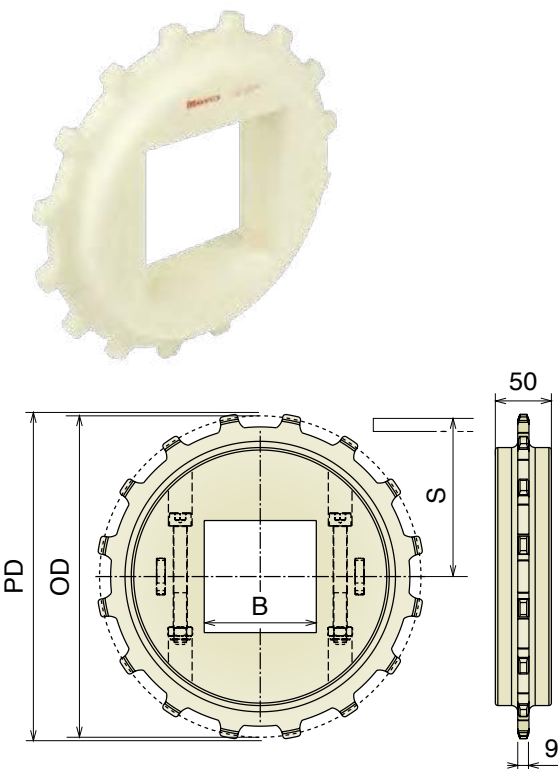
Part	Article-Nr.	Z-	Bore	PD	OD	S
1551	155104	10	Ø40	164,4	163,1	74,2
1551	155105		Ø50			
1551	155106		40x40			
1551	155107		60x60			
1551	155108		65x65			
1552	155204	12	Ø40	196,3	196,3	90,1
1552	155206		40x40			
1552	155207		60x60			
1552	155208		65x65			
1553	155311	13	Ø65	212,3	213,6	98,1
1553	155310		Ø90			
1553	155306		40x40			
1553	155307		60x60			
1553	155308		65x65			
1553	155309		90x90			
1559	155910	16	Ø90	260,4	262,0	122,3
1559	155908		65x65			
1559	155909		90x90			
1559	155912		120x120			



**Ruota traino, fresata**

Drive sprocket, machined / Antriebskettenrad, gefräst

Part	Article-Nr.	Z-	Bore	PD	OD	S
1607	160704	10	Ø40	164,4	163,1	74,2
1607	160705		Ø50			
1607	160706		40x40			
1607	160707		60x60			
1607	160708		65x65			
1608	160804	12	Ø40	196,3	196,3	90,1
1608	160806		40x40			
1608	160807		60x60			
1608	160808		65x65			
1609	160911	13	Ø65	212,3	209,0	98,1
1609	160910		Ø90			
1609	160906		40x40			
1609	160907		60x60			
1609	160908		65x65			
1609	160909		90x90			
1610	161010	16	Ø90	260,4	262,0	122,3
1610	161005		Ø2,5"			
1610	161008		65x65			
1610	161009		90x90			
1610	161012E		120x120			



# 500 RR Split Version

Ruote per tappeti / Belt sprockets / Kettenräder für Mattenketten

## Materiale / Material / Materialien:

Resina acetalica/Acetal resin/Azetal

Viti: Acciaio inox/Screws: Stainless steel/Schrauben: Edelstahl

Dadi: Acciaio inox/Nuts: Stainless steel/Mutter: Edelstahl

# 500 RR Split Version

Ruota traino, stampata / Drive sprocket, molded / Antriebskettenrad, gespritzt

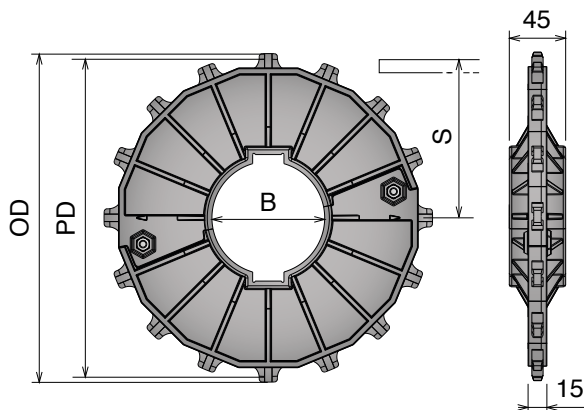
Delivery: **Easy** Standard

Part	Article-Nr.	Z-	Bore	PD	OD	S
1558	155810	16	Ø 90 with double keyway	260,4	262,0	122,3



## Advantages:

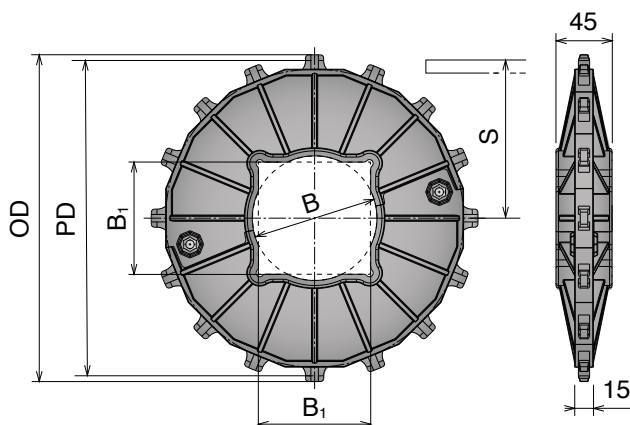
- Easy clean
- Easy installation
- Heavy duty design



## Ruota rinvio divisa, stampata

Split idler sprocket, molded / geteiltes Umlenkrad, gespritzt

Part	Article-Nr.	Z-	Bore (B)	Bore (B <sub>1</sub> x B <sub>1</sub> )	PD	OD	S
1558	155809	16	Ø 100	90 x 90	260,4	262,0	122,3



# Movex® EXTRUSION CENTER



## We extrude for your business.

**Movex®** is a dynamic and flexible business reality that have been active in the industrial production for over ten years and is reaching market leadership as a reliable and precise supplier, planning the future without losing sight of its history and the values that allow its growth.

In the dedicated extrusion center from our production plant in Castelli Calepio (Italy), **Movex®** provides a new generation of high-performing profiles, developed and produced with the most updated technologies. Experienced engineers work around the clock on more than 50 extrusion machines (horizontal and vertical) to perfect almost 2000 high quality products for our customer needs.

**Movex®** meets your needs for standard and custom made products in a dynamic and responsive way, ensuring the best performance to satisfy our customer requirements.

## Choose the one that best suits you.

Each of the hundreds **Movex®** profiles are produced from a first rate of **UHMW-PE** with the possibility to further enhance performance by using our patented materials **BluLub®** and **Titanium White®**.

Transportation is a delicate phase for your shipment; to ship your order we choose the correct protection: carton, coils, reinforced wooden crate, packaging varies depending on the article typology, its size and its weight.

## Standard or customized extrusion...your choice.

**Movex®** is driven by the will to design and manufacture top quality items, combining technical performance and design, in order to offer its customers a tailor made service.

Beside of the standard available profiles, **Movex®** is also developing together with the customer innovative special solutions to offer *“the product you need when you need it”* against an attractive price. We have organized a specific workflow, developed over the course of the last ten years, which aims to satisfy the requirements of even the most demanding buyer. Get in touch with us and ask a personalised quotation.

## Choose the performance of innovative material.

**BluLub®** is the Movex super-performance compounded Ultra High Molecular Weight Polyethylene material, with the latest generation of solid lubricants, able to contribute improving PV-properties (limiting pressure velocity) compared to standard UHMW-PE, especially in applications with limited lubrication, higher speeds and/or higher loads.

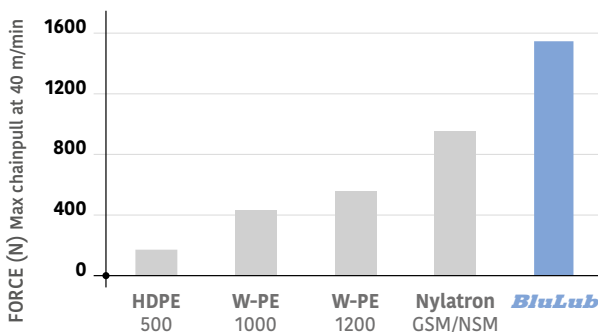
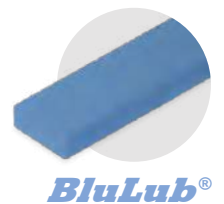
**BluLub®** ensures high wear and abrasion resistance, requires less energy and with the lowest coefficient of friction, improves the product stability and wear life of sliding parts.

Thanks to the **BluLub®** characteristics, the extruded profiles can also offer a longer wear life, compared to traditional materials, and will help reducing marks over products or goods sliding on them; at the same time, **BluLub®** is also ideal for extreme conditions in terms of load and speed.

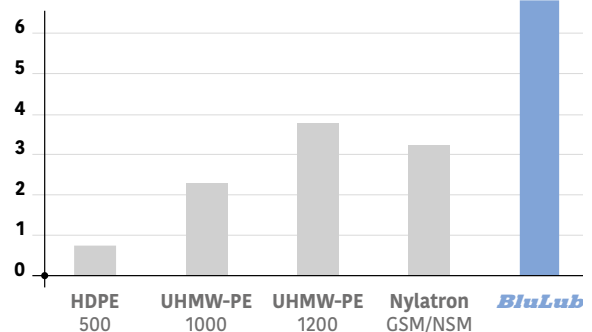
More material information and technical data sheet can be provided on request, get in touch with us for a quick support.

### The right choice for:

- Lowest coefficient of friction
- Reduced noise and squeaking
- Lowest wear and minimized energy consumption
- Minimal moisture absorption
- Extreme material performances
- Best lubricant distribution



PV LIMIT - Comparison table



RELATIVE WEARLIFE - Comparison table

**BluLub®** is available for any type of profile, standard or custom.

#### Properties:

- UHMW-PE Polyethylene with molecular density 9,200,000 g/mol.
- Operating temperature: -40 to + 80°C (-40 to 176°F)
- Linear expansion coefficient:  $2 \times 10^{-4} \text{ } ^\circ\text{C}^{-1}$  ( $1.1 \times 10^{-4} \text{ } ^\circ\text{F}^{-1}$ )





# Titanium White®

High quality, bright white extrusions.

**Titanium White®** is the latest addition in the Movex's extrusion compound family.

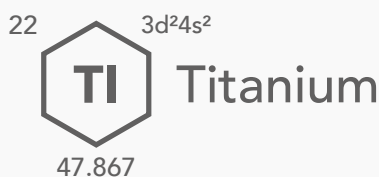
The name **Titanium White®** refers to the special metal because it has comparable unique properties, like high strength and optimum performance, generating low friction, absorbing heat and reducing energy consumption.

**Titanium White®** has a long lasting bright white color and keeps performances also after many hours of work. Thanks to the **Titanium White®** characteristics, the extruded profiles are made of an intense white UHMW-PE, resulting in a smoother surface and devoid of push marks, meaning in a minimized power consumption and possible goods defect. **Titanium White®** has also an improved UV and aging resistance and a high chemical resistance.

More material information and technical datasheets can be provided on request, get in touch with us for a quick support.

## The right choice for:

- Lower coefficient of friction
- Lower wear and less energy consumption
- Minimal moisture absorption
- UV & aging resistance
- High chemical resistance



Strong metal with low density that is quite ductile, lustrous and metallic white in color.

All these features reflect our extruded profiles with **Ti-White** compound.



**Ti-White** (Example of application)

**Titanium White®** is available for any type of profile, standard or custom.

### Properties:

- UHMW-PE Polyethylene with molecular density 9,200,000 g/mol.
- Operating temperature: -40 to + 80°C (-40 to 176°F)
- Linear expansion coefficient:  $2 \times 10^{-4} \text{ } ^\circ\text{C}^{-1}$  ( $1.1 \times 10^{-4} \text{ } ^\circ\text{F}^{-1}$ )



# UHMW-PE

## Standard extrusion polyethylene.

Standard profiles are all made with a first-rate **UHMW-PE** polyethylene, a thermoplastic polymer with a variable crystalline structure with a vast range of applications.

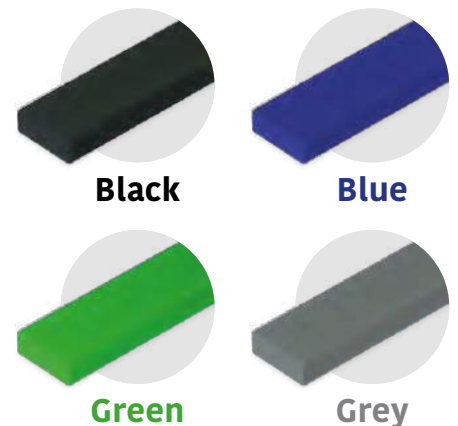
**UHMW-PE** is available in several colors and lengths. It's the perfect choice to reach your line-performance against an attractive price.

### The right choice for:

- Low coefficient of friction
- Good resistance to wear consumption
- Attractive market price
- Long durability



### Standard colors\*:



**UHMW-PE** is available for any type of profile, standard or custom.

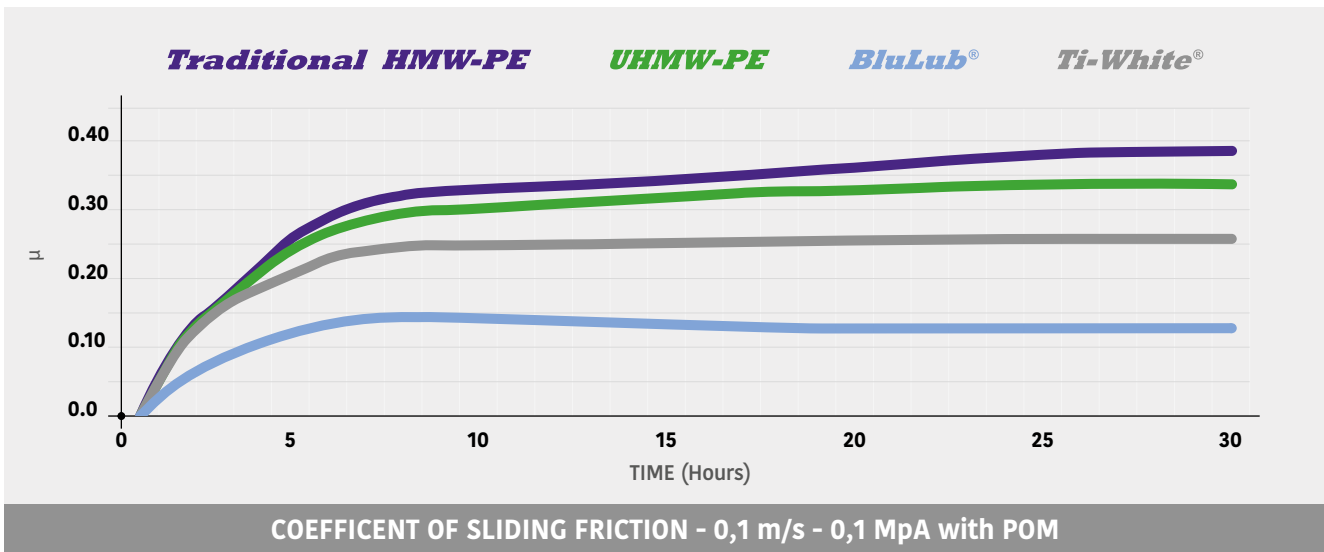
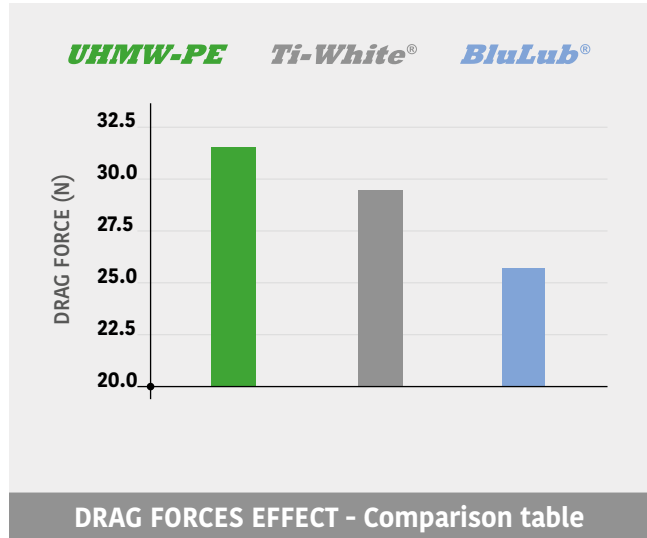
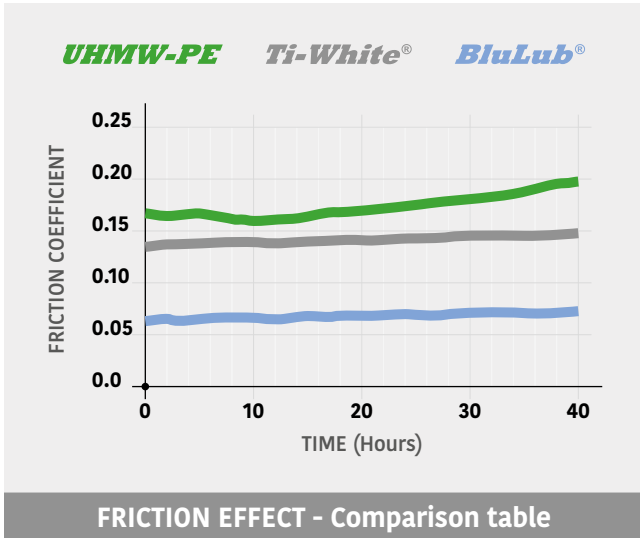
#### Properties:

- UHMW-PE Polyethylene with molecular density 5,600,000 g/mol.
- Operating temperature: -40 to + 80°C (-40 to 176°F)
- Linear expansion coefficient:  $2 \times 10^{-4} \text{C}^{-1}$  ( $1.1 \times 10^{-4} \text{F}^{-1}$ )

\*Other colors are available on request.

# Material selection

Movex offers different materials and design solution for each customer requirements. These comparison tables help to better understand each material and take advantage of their strengths and features to suit your specific needs:



**Ti-White®** VS Traditional HMW-PE

**BluLub®** VS Traditional HMW-PE



**IMPROVED RESISTANCE**

This material can keep its color properties stable during the time. Moreover, titanium gives better sliding properties than traditional material.



**ENERGY SAVING**

Thanks to the unique solid lubricant added into the material, the sliding properties are excellent and energy consumption will be reduced.

# RS SIDE GUIDE RAIL

Easy and modular replacement label saver system.

**RS Side guide profile** is a development which enable you to simplify your business!

Thanks to the replaceable wear-strip in **BluLub®**, **RS Side guide profile** can reduce total cost of ownership: in case of required maintenance, only **BluLub®** strips can be replaced, saving time at a lower cost.

Different profiles are available from stock and can be mounted in different ways to optimize the support of your product according to the specific needs.



## Increased performance

**BluLub® wearstrips** contribute to a lower friction which results in less energy consumption.



## Fast and easy maintenance

Thanks to its innovative design, the easy replaceable **BluLub® wearstrips** meets the needs to reduce maintenance time.



## Interchangeable wearstrip

Every **BluLub® wearstrip** has the same fixing system, this makes all versions interchangeable. In case of required replacement, wearstrips can be ordered as coiled spare parts.



## No gap between connection

**BluLub® wearstrip** allows you to connect two or more different base profiles with no gap, by simply slide it in.

## The right choice for:

- Innovative equipment
- Total cost reduction
- Less energy consumption
- Improved product stability

### **RS Side guide rail profiles**

are available in various executions.

#### Materials:

- Base profile: **UHMW-PE** (see details).
- Label saver: **BluLub®** polyethylene UHMW-PE with molecular density 9,200,000 g/mo. with reduced coefficient of friction and higher wear resistance and its complies with the code of Federal Regulations of FDA (see details).

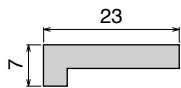
# 341



## L-Profile

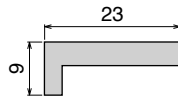
See product page for specific details and materials available.

1094



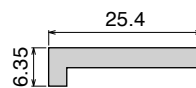
Pag 350

175



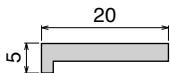
Pag 350

1038



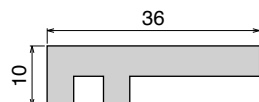
Pag 350

150



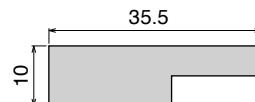
Pag 350

1058



Pag 351

174

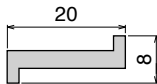


Pag 351

## Z-Profile

See product page for specific details and materials available.

101



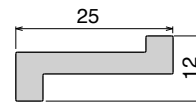
Pag 351

102



Pag 352

102



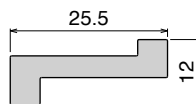
Pag 352

176



Pag 352

1074



Pag 353

Material Info:

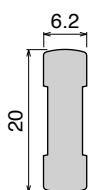


pg. 336->340

## Special shape

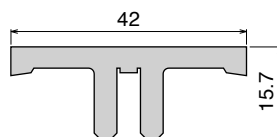
See product page for specific details and materials available.

107



Pag 353

108



Pag 353

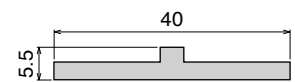
105

A: 20/25/30/40/50/60/70/100  
B: 3/5



Pag 354

106

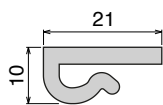


Pag 354

# J-Profile

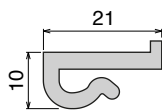
See product page for specific details and materials available.

**103** Fit on 2,5 to 3,5 mm



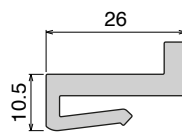
Pag 355

**104** Fit on 2,5 to 3,5 mm



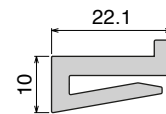
Pag 355

**179** Fit on 2,5 to 3,5 mm



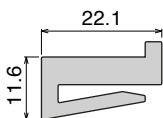
Pag 355

**1014** Fit on 3 mm



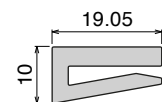
Pag 356

**1015** Fit on 2,5 to 3,5 mm



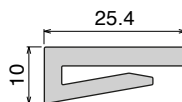
Pag 356

**1016** Fit on 3 mm



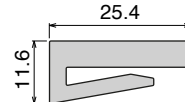
Pag 356

**1017** Fit on 3 mm



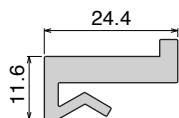
Pag 357

**1018** Fit on 3 mm



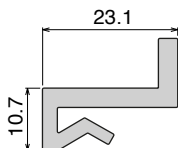
Pag 357

**1019** Fit on 3 mm



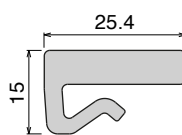
Pag 357

**1020** Fit on 3 mm



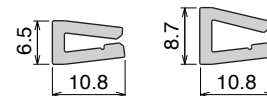
Pag 358

**1091** Fit on 3 mm



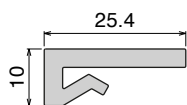
Pag 358

**1068/1090**  
Fit on 1,8 to 2 mm



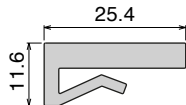
Pag 358

**1021** Fit on 3 mm



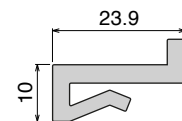
Pag 359

**1022** Fit on 3 mm



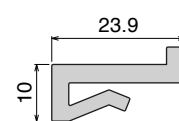
Pag 359

**1023** Fit on 3 mm



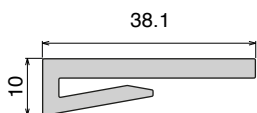
Pag 359

**1024** Fit on 3 mm



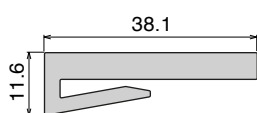
Pag 360

**1025** Fit on 3 mm



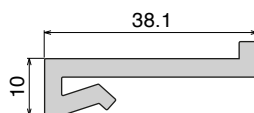
Pag 360

**1026** Fit on 3 mm



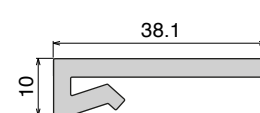
Pag 360

**1027** Fit on 3 mm



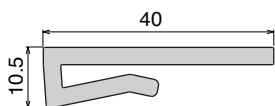
Pag 361

**1028** Fit on 3 mm



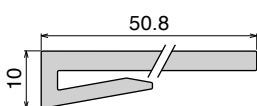
Pag 361

**1046** Fit on 3 mm



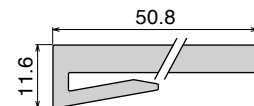
Pag 361

**1029** Fit on 3 mm



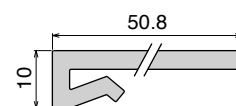
Pag 362

**1030** Fit on 3 mm



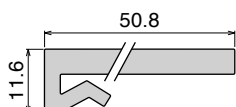
Pag 362

**1031** Fit on 3 mm



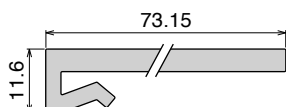
Pag 362

**1032** Fit on 3 mm



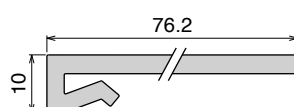
Pag 363

**1035** Fit on 3 mm



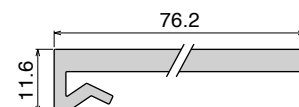
Pag 363

**1033** Fit on 3 mm



Pag 363

**1034** Fit on 3 mm

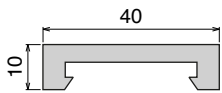


Pag 364

# U-Profile

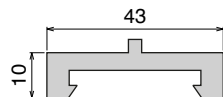
See product page for specific details and materials available.

**109**



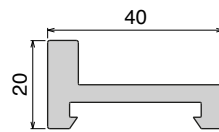
Pag 364

**110**



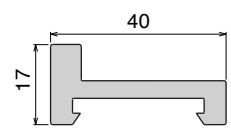
Pag 365

**156**



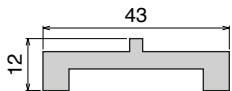
Pag 365

**156**



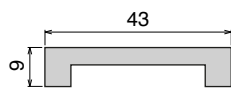
Pag 365

**149**



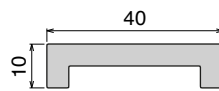
Pag 366

**177**



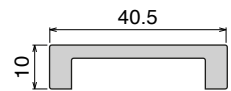
Pag 366

**1059**



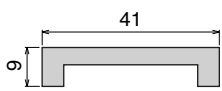
Pag 367

**178**



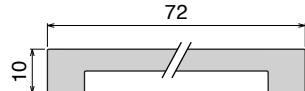
Pag 367

**111**



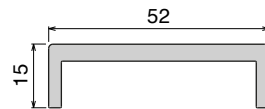
Pag 368

**1060**



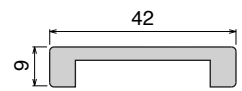
Pag 368

**199**



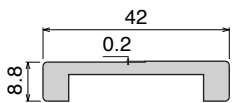
Pag 369

**199**



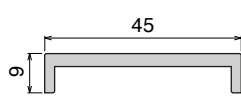
Pag 369

**199 Staggered**



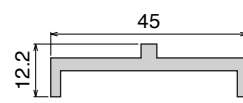
Pag 369

**1080**



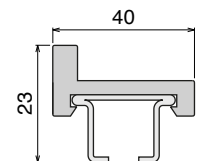
Pag 370

**1081**



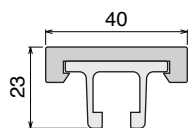
Pag 370

**133**



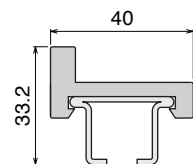
Pag 371

**148**



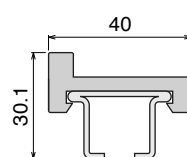
Pag 371

**157**



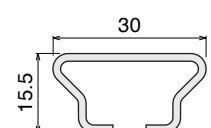
Pag 372

**157**



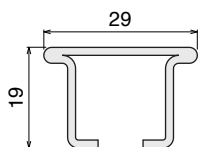
Pag 372

**118 Stainless steel**



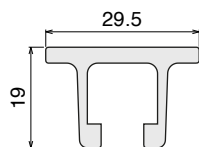
Pag 373

**112 Stainless steel**



Pag 373

**147 Aluminum**

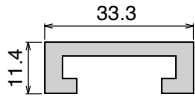


Pag 373

# C-Profile

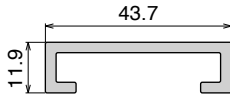
See product page for specific details and materials available.

**1041** Fit on 25 x 5 mm



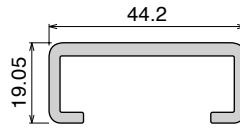
Pag 374

**1082** Fit on 38,1 x 6,35 mm



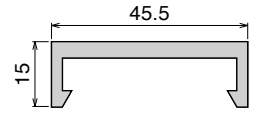
Pag 374

**1044** Fit on 38,1 x 12,7 mm



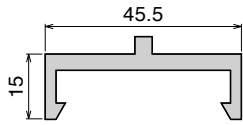
Pag 374

**1053** Fit on 38,1 x 6,35 mm



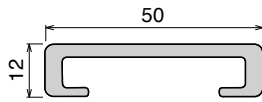
Pag 375

**1054** Fit on 38,1 x 6,35 mm



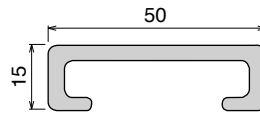
Pag 375

**1101** Fit on 40 x 6 mm



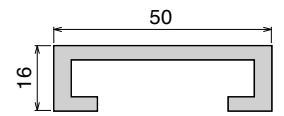
Pag 375

**137** Fit on 40 x 8 mm



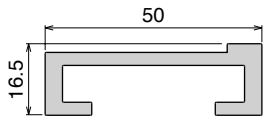
Pag 376

**137** Fit on 40 x 8 mm



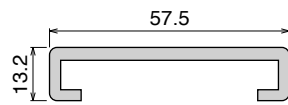
Pag 376

**137** Fit on 40 x 8 mm



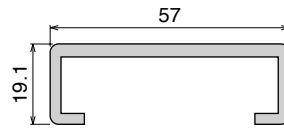
Pag 376

**1042** Fit on 50 x 6 mm



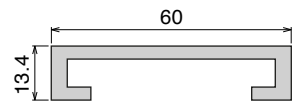
Pag 377

**1045** Fit on 50,8 x 12,7 mm



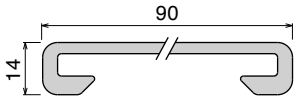
Pag 377

**158** Fit on 50 x 6 mm



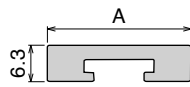
Pag 377

**1102** Fit on 80 x 5 mm



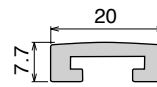
Pag 377

**163** See dimension available  
Used with Part. 164/165



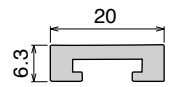
Pag 378

**160** Used with Part. 164/165



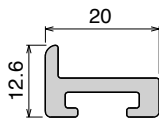
Pag 379

**161** Used with Part. 164/165



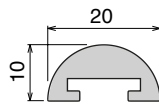
Pag 379

**1092** Used with Part. 164/165



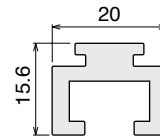
Pag 379

**162** Used with Part. 164/165



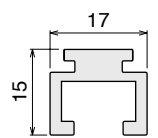
Pag 380

**164** Aluminum



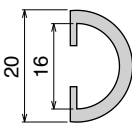
Pag 380

**165** Aluminum



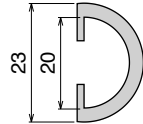
Pag 380

**1039**



Pag 381

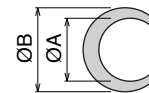
**1083**



Pag 381

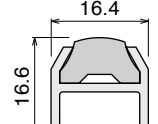
**166**

ØA: 8/10/12/16  
ØB: 12/14/16/20



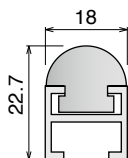
Pag 382

**154**



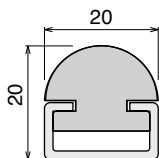
Pag 382

**155**



Pag 383

**134**



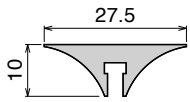
Pag 383



# Transfer plate and NoseBar

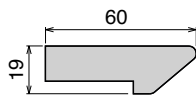
See product page for specific details and materials available.

**199** Fit on 3 mm



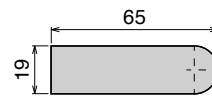
Pag 384

**238**



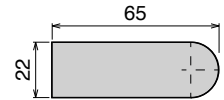
Pag 384

**228**



Pag 384

**235**

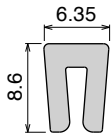


Pag 384

# Bar cap and cover

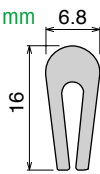
See product page for specific details and materials available.

**1000**  
Fit on 1,5 mm



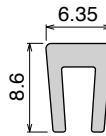
Pag 385

**1001**  
Fit on 1,5 mm



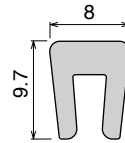
Pag 385

**1002**  
Fit on 3 mm



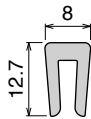
Pag 385

**1003**  
Fit on 3 mm



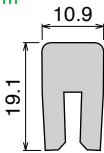
Pag 385

**1004**  
Fit on 3 mm



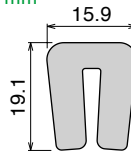
Pag 386

**1084**  
Fit on 3 mm



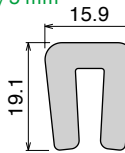
Pag 386

**1085**  
Fit on 3 mm



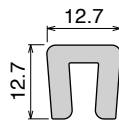
Pag 386

**153**  
Fit on 4/5 mm



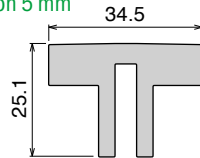
Pag 387

**1006**  
Fit on 5 mm



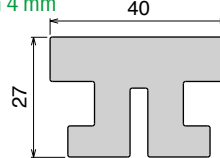
Pag 387

**1007**  
Fit on 5 mm



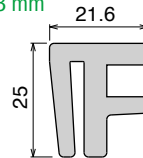
Pag 387

**1095**  
Fit on 4 mm



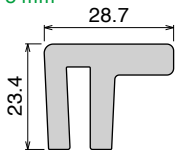
Pag 388

**1040**  
Fit on 3 mm



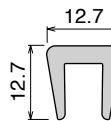
Pag 388

**1008**  
Fit on 5 mm



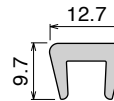
Pag 388

**1009**  
Fit on 6 mm



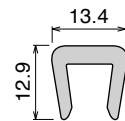
Pag 389

**1010**  
Fit on 6 mm



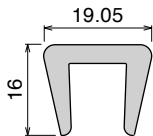
Pag 389

**1086**  
Fit on 8 mm



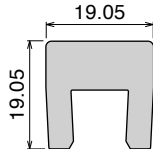
Pag 389

**1011**  
Fit on 10 mm



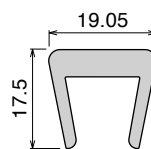
Pag 389

**1013**  
Fit on 10 mm



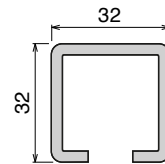
Pag 390

**1012**  
Fit on 12/13 mm



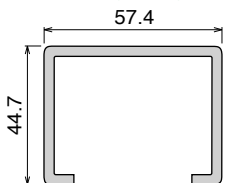
Pag 390

**181** Fit on 25,4 x 25,4 mm



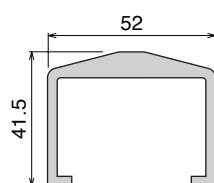
Pag 390

**1052** Fit on 38,1 x 50,8 mm



Pag 391

**180** Fit on 30,5 x 46 mm

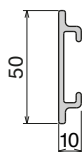


Pag 391

# Side guide rail USED WITH PLATE

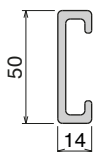
See product page for specific details and materials available.

**1063**  
Fit on mm  
30 x 4



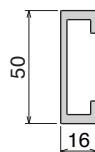
Pag 392

**137**  
Fit on mm  
40 x 8



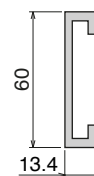
Pag 392

**137**  
Fit on mm  
40 x 10



Pag 393

**158**  
Fit on mm  
50 x 6



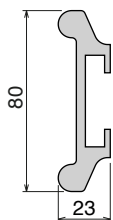
Pag 393

**1064**  
Fit on mm  
55 x 4



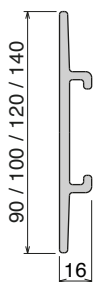
Pag 394

**183**  
Fit on mm  
40 x 8



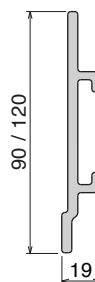
Pag 394

**158**  
Fit on mm  
50 x 6



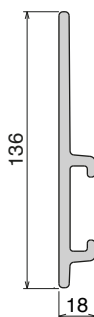
Pag 395

**194 Label saver**  
Fit on mm  
50 x 6



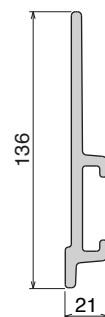
Pag 395

**189**  
Fit on mm  
40 x 8



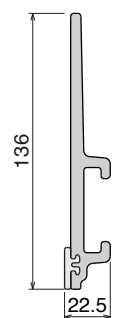
Pag 396

**189 Label saver**  
Fit on mm  
40 x 8



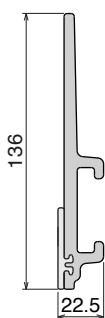
Pag 396/397

**1079 RS**  
Fit on mm  
40 x 8



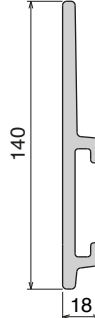
Pag 397

**1079 RS**  
Fit on mm  
40 x 8



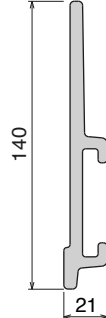
Pag 397

**189**  
Fit on mm  
50 x 6



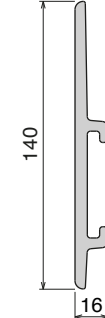
Pag 398

**189 Label saver**  
Fit on mm  
50 x 6



Pag 398/399

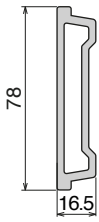
**1096**  
Fit on mm  
50 x 5



Pag 399

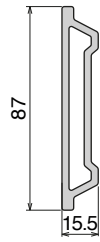
# Side guide rail USED WITH PLATE AND CLAMP See product page for specific details and materials available.

**135**  
Fit on mm  
60 x 6



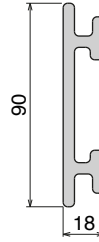
Pag 400

**136**  
Fit on mm  
60 x 6



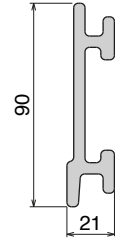
Pag 400

**1057**  
Fit on mm  
50 x 6



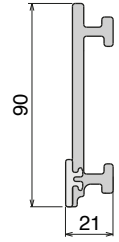
Pag 401

**1077 Label saver**  
Fit on mm  
50 x 6



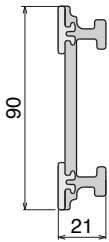
Pag 401

**1077 RS**  
Fit on mm  
50 x 6



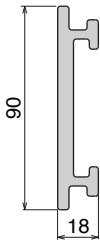
Pag 402

**1078 RS**  
Fit on mm  
50 x 6



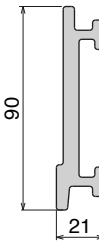
Pag 402

**1057**  
Fit on mm  
60 x 6



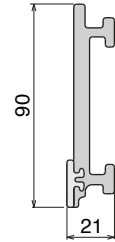
Pag 403

**1077 Label saver**  
Fit on mm  
60 x 6



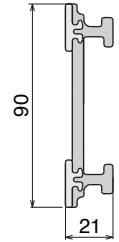
Pag 403

**1077 RS**  
Fit on mm  
60 x 6



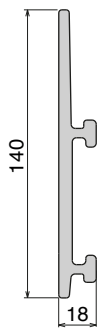
Pag 404

**1078 RS**  
Fit on mm  
60 x 6



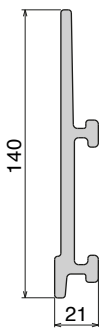
Pag 404

**193**  
Fit on mm  
60 x 5



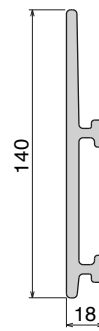
Pag 405

**189**  
Fit on mm  
60 x 5



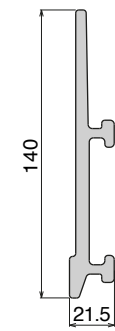
Pag 405/406

**193**  
Fit on mm  
60 x 6



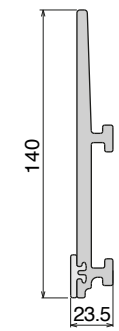
Pag 407

**189 Label saver**  
Fit on mm  
60 x 6



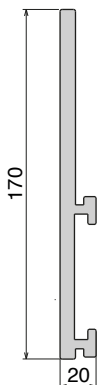
Pag 407/408

**1075 RS**  
Fit on mm  
60 x 6



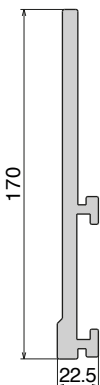
Pag 408

**187**  
Fit on mm  
60 x 6



Pag 409

**187 Label saver**  
Fit on mm  
60 x 6



Pag 409

**117**  
Stainless steel  
Fit on mm  
40 x 6  
40 x 8  
40 x 10



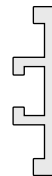
Pag 410

**1055**  
Stainless steel  
Fit on mm  
40 x 8  
50 x 6



Pag 410

**159 - 1088 - 1089**  
Stainless steel  
Fit on mm  
50 x 6  
60 x 5  
60 x 6

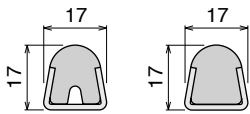


Pag 410

# Guide rail

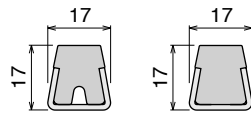
See product page for specific details and materials available. | Assembled with stainless steel profile AISI 304.

119



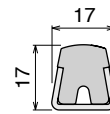
Pag 411

121



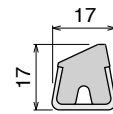
Pag 412

120



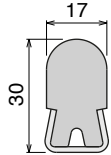
Pag 413

152



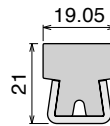
Pag 413

1067



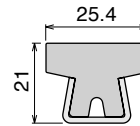
Pag 414

143



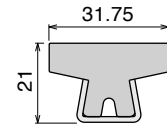
Pag 414

122



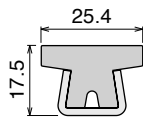
Pag 415

123



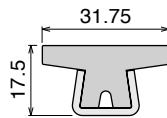
Pag 415

140



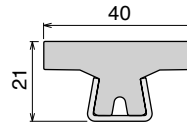
Pag 416

146



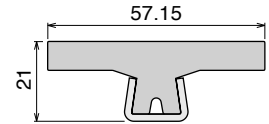
Pag 416

124



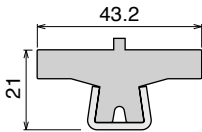
Pag 417

141



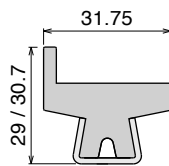
Pag 417

142



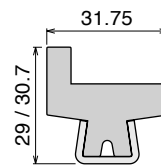
Pag 418

125



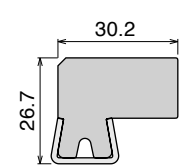
Pag 418

144



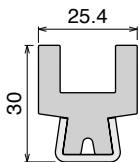
Pag 419

184



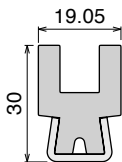
Pag 419

145



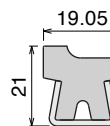
Pag 420

1087



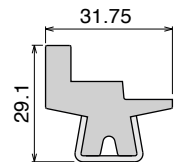
Pag 420

191



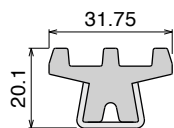
Pag 421

126



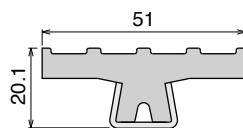
Pag 421

127



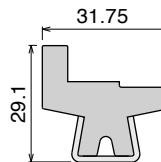
Pag 421

128



Pag 422

129



Pag 422

# Bending machines and rollers

See product page for specific details.

198



Pag 423

199



Pag 423

151

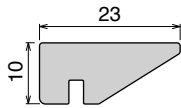


Pag 424/425

# Neck guide

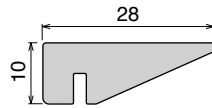
See product page for specific details and materials available.

**170** Fit on 2,5 mm



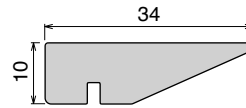
Pag 426

**168** Fit on 2,5 mm



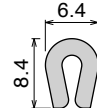
Pag 426

**169** Fit on 2,5 mm



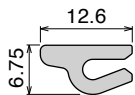
Pag 426

**167** Fit on 1,8/2 mm



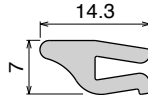
Pag 427

**192** Fit on 1,8/2 mm



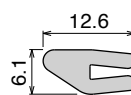
Pag 427

**1062** Fit on 1,8/2 mm



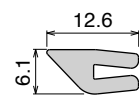
Pag 427

**1072** Fit on 1,8/2 mm



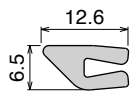
Pag 427

**1073** Fit on 1,8/2 mm



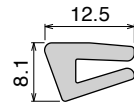
Pag 428

**1076** Fit on 1,8/2 mm



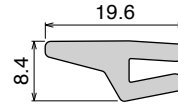
Pag 428

**1037** Fit on 3 mm



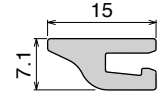
Pag 428

**171** Fit on 3 mm



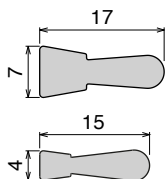
Pag 428

**172** Fit on 3 mm



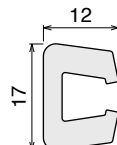
Pag 428

**131**  
TYPE A  
TYPE B



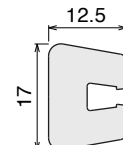
Pag 429

**130** Aluminum  
TYPE A



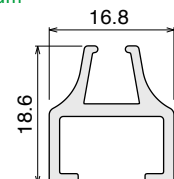
Pag 429

**130** Aluminum  
TYPE B



Pag 429

**188** Aluminum



Pag 429

# Shoes and connecting elements

See product page for specific details and materials available.

**113**



Pag 430

**113**



Pag 431

**114**



Pag 431

**116**



Pag 432

**116**



Pag 433

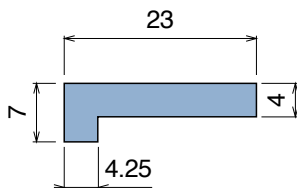
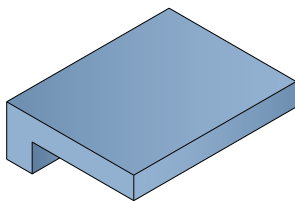
**115**



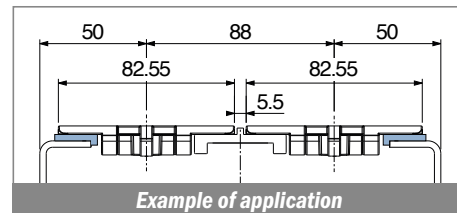
Pag 433

## NEW 1094

Profilo "L" / L-Profile / L-Profil



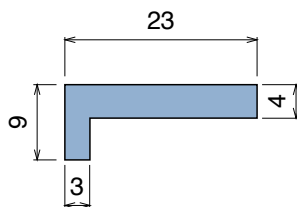
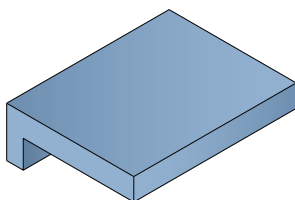
Article-Nr.	Material	Availability	Supply
109404	<b>BluLub</b>	On request	60 m coils
109403	<b>Ti-White</b>	On request	60 m coils
109401	Black	On request	60 m coils
109405	Blue	On request	60 m coils
109402	Green	On request	60 m coils



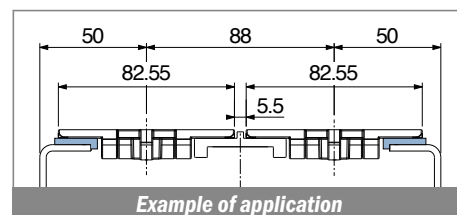
## 175

Profilo "L" / L-Profile / L-Profil

Delivery: **Easy** **Standard**



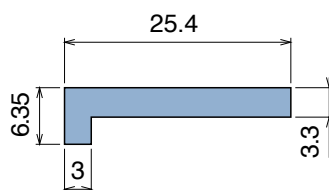
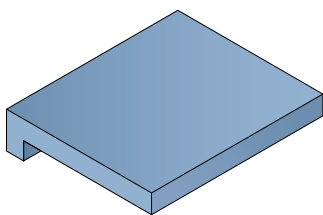
Article-Nr.	Material	Availability	Supply
17504	<b>BluLub</b>	On request	60 m coils
17503	<b>Ti-White</b>	On request	60 m coils
17501	Black	Stock item	60 m coils
17505	Blue	On request	60 m coils
17502	Green	Stock item	60 m coils



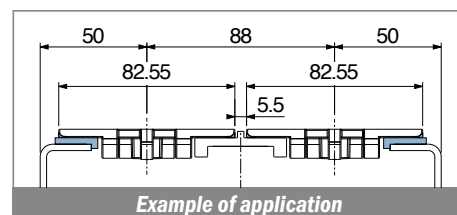
## 1038

Profilo "L" / L-Profile / L-Profil

Delivery: **Easy** **Standard**



Article-Nr.	Material	Availability	Supply
103804	<b>BluLub</b>	On request	60 m coils
103803	<b>Ti-White</b>	On request	60 m coils
103805	Blue	On request	60 m coils

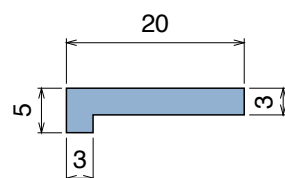
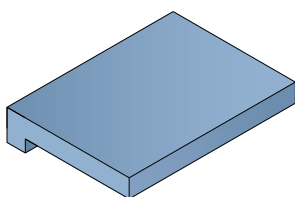


### North America STANDARD

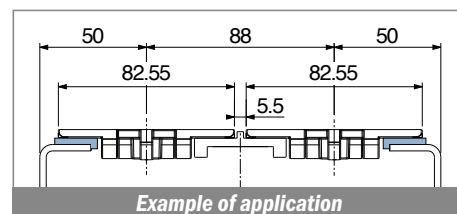
## 150

Profilo "L" / L-Profile / L-Profil

Delivery: **Easy** **Standard**



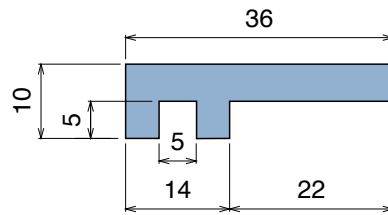
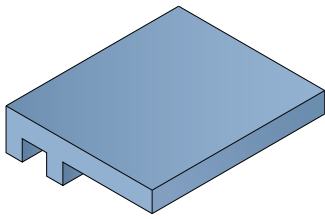
Article-Nr.	Material	Availability	Supply
15004	<b>BluLub</b>	On request	60 m coils
15003	<b>Ti-White</b>	On request	60 m coils
15001	Black	Stock item	60 m coils
15005	Blue	On request	60 m coils
15002	Green	Stock item	60 m coils



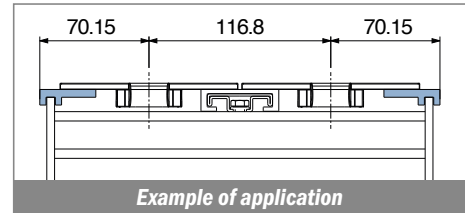
## 1058

### Profilo "L" / L-Profile / L-Profil

Delivery: **Easy** **Standard**



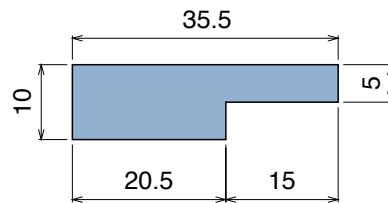
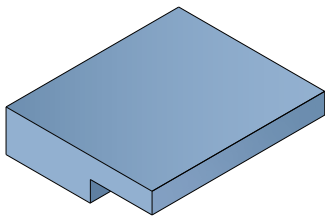
Article-Nr.	Material	Availability	Supply
105800BC	BluLub	On request	3 m bars
105800B	BluLub	On request	6 m bars
105803C	Ti-White	On request	3 m bars
105803	Ti-White	On request	6 m bars
105801C	Black	Stock item	3 m bars
105801	Black	On request	6 m bars
105805C	Blue	On request	3 m bars
105805	Blue	On request	6 m bars
105802C	Green	Stock item	3 m bars
105802	Green	On request	6 m bars



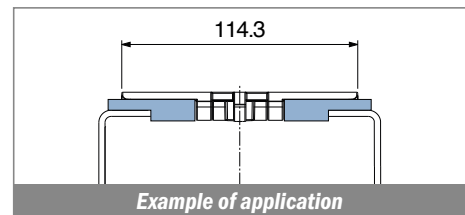
## 174

### Profilo "L" / L-Profile / L-Profil

Delivery: **Easy** **Standard**



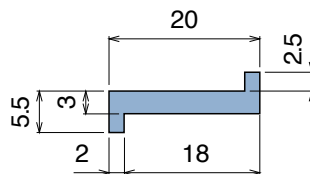
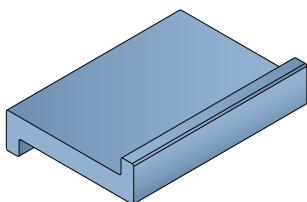
Article-Nr.	Material	Availability	Supply
17404C	BluLub	On request	3 m bars
17404	BluLub	On request	6 m bars
17403C	Ti-White	On request	3 m bars
17403	Ti-White	On request	6 m bars
17401C	Black	Stock item	3 m bars
17401	Black	On request	6 m bars
17405C	Blue	On request	3 m bars
17405	Blue	On request	6 m bars
17402C	Green	Stock item	3 m bars
17402	Green	On request	6 m bars



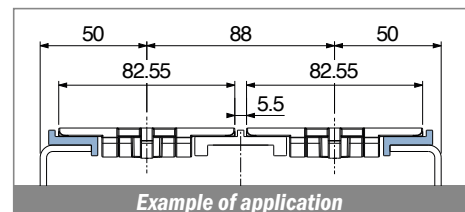
## 101

### Profilo "Z" / Z-Profile / Z-Profil

Delivery: **Easy** **Standard**

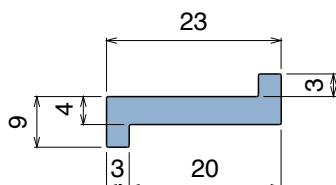
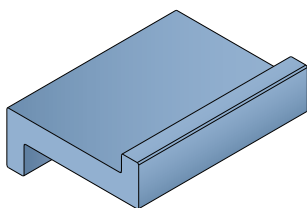


Article-Nr.	Material	Availability	Supply
10104	BluLub	On request	60 m coils
10103	Ti-White	On request	60 m coils
10101	Black	Stock item	60 m coils
10105	Blue	On request	60 m coils
10102	Green	Stock item	60 m coils

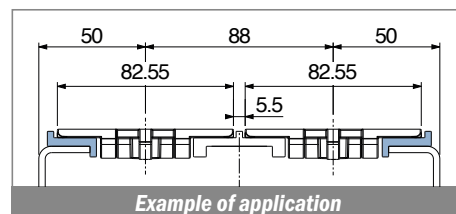


## 102 Profilo "Z" / Z-Profile / Z-Profil

Delivery: **Easy** **Standard**

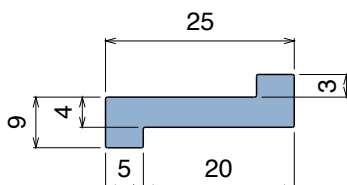
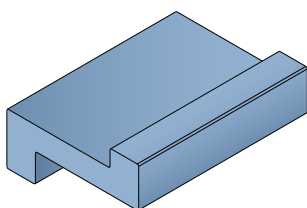


Article-Nr.	Material	Availability	Supply
10202B	<b>BluLub</b>	Stock item	60 m coils
10203	<b>Ti-White</b>	On request	60 m coils
10201	Black	Stock item	60 m coils
10205	Blue	On request	60 m coils
10202	Green	Stock item	60 m coils

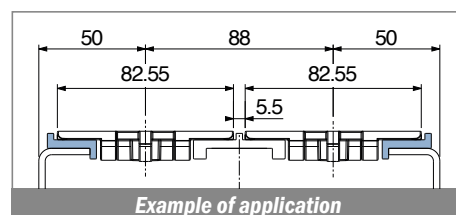


## 102 Profilo "Z" / Z-Profile / Z-Profil

Delivery: **Easy** **Standard**

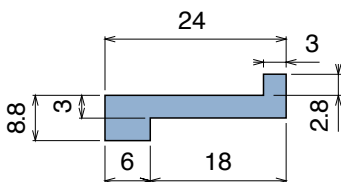
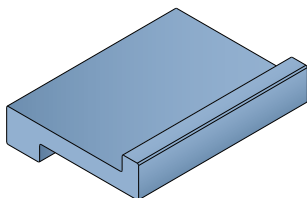


Article-Nr.	Material	Availability	Supply
10299B	<b>BluLub</b>	Stock item	60 m coils
10293	<b>Ti-White</b>	On request	60 m coils
10297	Black	On request	60 m coils
10295	Blue	On request	60 m coils
10298	Green	Stock item	60 m coils

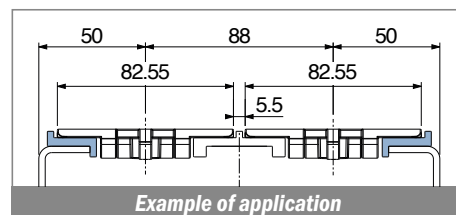


## 176 Profilo "Z" / Z-Profile / Z-Profil

Delivery: **Easy** **Standard**



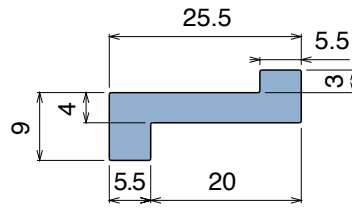
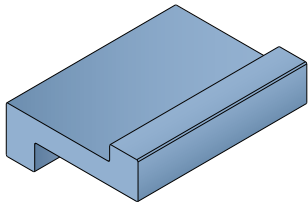
Article-Nr.	Material	Availability	Supply
17604	<b>BluLub</b>	On request	60 m coils
17603	<b>Ti-White</b>	On request	60 m coils
17601	Black	On request	60 m coils
17605	Blue	On request	60 m coils
17602	Green	Stock item	60 m coils



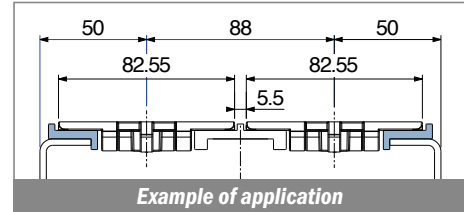


## 1074 Profilo "Z" / Z-Profile / Z-Profil

Delivery: **Easy** **Standard**

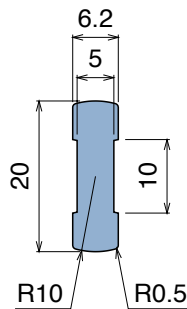
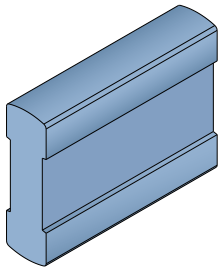


Article-Nr.	Material	Availability	Supply
107404	<b>BluLub</b>	On request	60 m coils
107403	<b>Ti-White</b>	On request	60 m coils
107401	Black	Stock item	60 m coils
107405	Blue	On request	60 m coils



## 107 Profilo guida catena / Wear strip / Rückführleiste

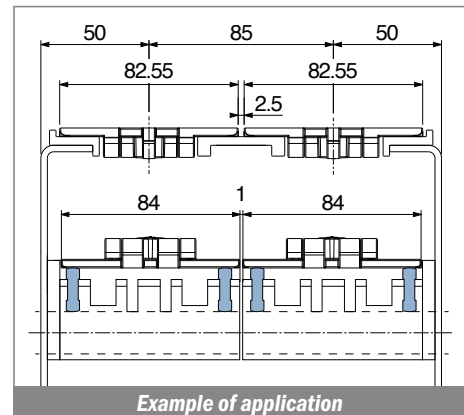
Delivery: **Easy** **Standard**



Supports available  
Part 230/231  
Pag 446

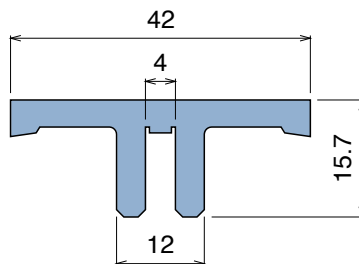
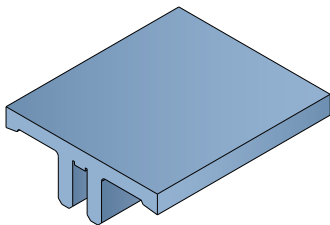


Article-Nr.	Material	Availability	Supply
10704	<b>BluLub</b>	On request	60 m coils
10703	<b>Ti-White</b>	Stock item	60 m coils
10701	Black	On request	60 m coils
10705	Blue	On request	60 m coils
10702	Green	Stock item	60 m coils

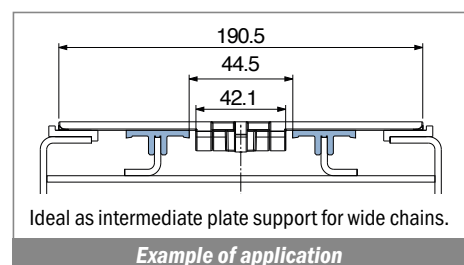


## 108 Profilo T / T-profile / T-Profil

Delivery: **Easy** **Standard**

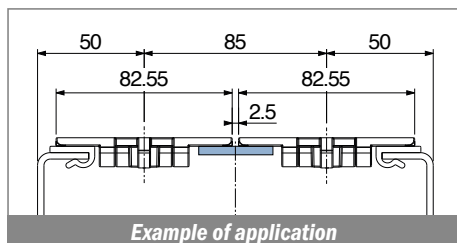
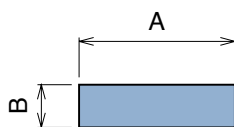
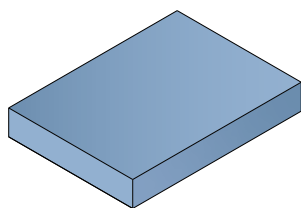


Article-Nr.	Material	Availability	Supply
10800BC	<b>BluLub</b>	On request	3 m bars
10800B	<b>BluLub</b>	Stock item	6 m bars
10803C	<b>Ti-White</b>	On request	3 m bars
10803	<b>Ti-White</b>	On request	6 m bars
10801C	Black	Stock item	3 m bars
10801	Black	On request	6 m bars
10805C	Blue	On request	3 m bars
10805	Blue	On request	6 m bars
10802C	Green	Stock item	3 m bars
10802	Green	Stock item	6 m bars



## 105 Profilo piatto / Flat profile / Flachprofil

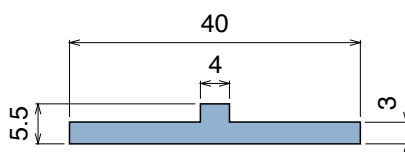
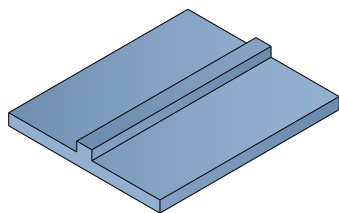
Delivery: **Easy** Standard



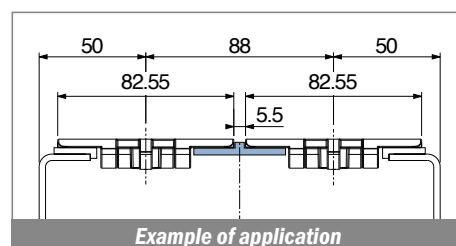
Article-Nr.	Material	A	B	Availability	Supply
10502BL	BluLub	20	3	On request	60 m coils
10504BL	BluLub	20	5	On request	60 m coils
10595BL	BluLub	25	3	On request	60 m coils
10592BL	BluLub	30	3	On request	60 m coils
10594BL	BluLub	30	5	On request	60 m coils
10596BL	BluLub	40	3	On request	60 m coils
10597BL	BluLub	50	3	On request	60 m coils
10506BL	BluLub	60	3	On request	60 m coils
10508BL	BluLub	70	3	On request	60 m coils
10510BL	BluLub	100	3	On request	60 m coils
10502W	Ti-White	20	3	On request	60 m coils
10504W	Ti-White	20	5	On request	60 m coils
10595W	Ti-White	25	3	On request	60 m coils
10592W	Ti-White	30	3	On request	60 m coils
10594W	Ti-White	30	5	On request	60 m coils
10596W	Ti-White	40	3	On request	60 m coils
10597W	Ti-White	50	3	On request	60 m coils
10506W	Ti-White	60	3	On request	60 m coils
10508W	Ti-White	70	3	On request	60 m coils
10510W	Ti-White	100	3	On request	60 m coils
10501	Black	20	3	Stock item	60 m coils
10503	Black	20	5	Stock item	60 m coils
10505	Black	60	3	Stock item	60 m coils
10507	Black	70	3	Stock item	60 m coils
10509	Black	100	3	On request	60 m coils
10501B	Blue	20	3	On request	60 m coils
10503B	Blue	20	5	On request	60 m coils
10505B	Blue	60	3	On request	60 m coils
10507B	Blue	70	3	On request	60 m coils
10509B	Blue	100	3	On request	60 m coils
10502	Green	20	3	Stock item	60 m coils
10504	Green	20	5	Stock item	60 m coils
10595	Green	25	3	Stock item	60 m coils
10592	Green	30	3	On request	60 m coils
10594	Green	30	5	Stock item	60 m coils
10596	Green	40	3	Stock item	60 m coils
10597	Green	50	3	On request	60 m coils
10506	Green	60	3	Stock item	60 m coils
10508	Green	70	3	Stock item	60 m coils
10510	Green	100	3	Stock item	60 m coils

## 106 Profilo guida catena / Flat profile with nose / Flachprofil mit Nase

Delivery: **Easy** Standard

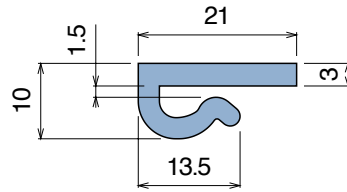
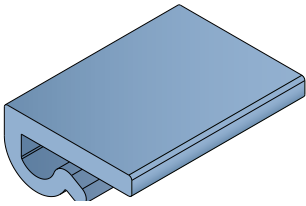


Article-Nr.	Material	Availability	Supply
10604	BluLub	On request	60 m coils
10603	Ti-White	On request	60 m coils
10601	Black	Stock item	60 m coils
10605	Blue	On request	60 m coils
10602	Green	Stock item	60 m coils

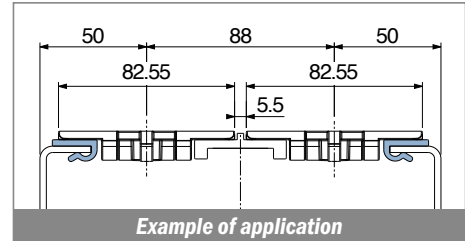


## 103 Profilo "J" / J-Profile / J-Profil

Delivery: **Easy** **Standard** Fit on 2,5 to 3,5 mm

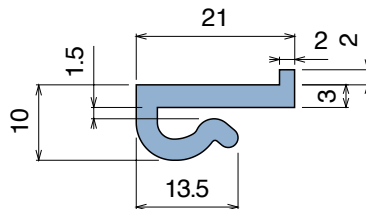
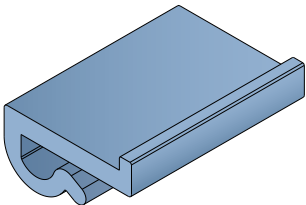


Article-Nr.	Material	Availability	Supply
10300B-30	<b>BluLub</b>	Stock item	30 m coils
10303	<b>Ti-White</b>	Stock item	60 m coils
10301	Black	Stock item	60 m coils
10305	Blue	On request	60 m coils
10302	Green	Stock item	60 m coils

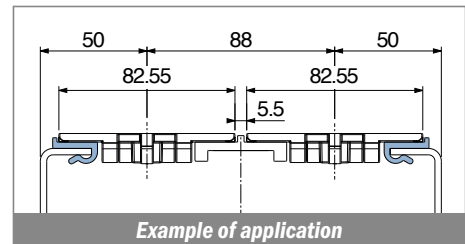


## 104 Profilo "J" / J-Profile / J-Profil

Delivery: **Easy** **Standard** Fit on 2,5 to 3,5 mm

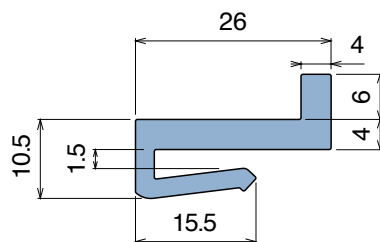
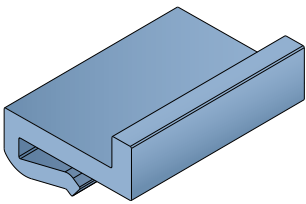


Article-Nr.	Material	Availability	Supply
10400B	<b>BluLub</b>	Stock item	60 m coils
10403	<b>Ti-White</b>	On request	60 m coils
10401	Black	Stock item	60 m coils
10405	Blue	On request	60 m coils
10402	Green	Stock item	60 m coils

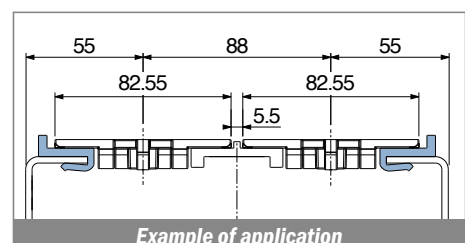


## 179 Profilo "J" / J-Profile / J-Profil

Delivery: **Easy** **Standard** Fit on 2,5 to 3,5 mm



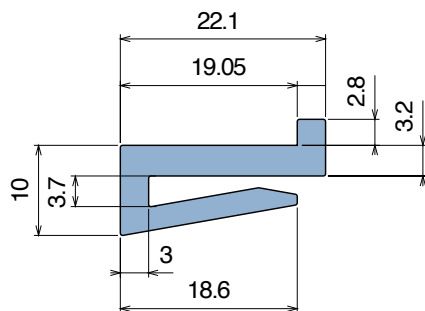
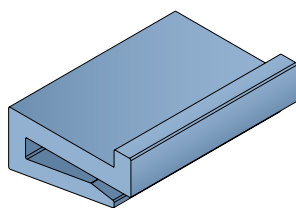
Article-Nr.	Material	Availability	Supply
17902BC	<b>BluLub</b>	On request	3 m bars
17902B	<b>BluLub</b>	On request	6 m bars
17902B-60	<b>BluLub</b>	Stock item	60 m coils
17902WC	<b>Ti-White</b>	On request	3 m bars
17902W	<b>Ti-White</b>	On request	6 m bars
17902W-60	<b>Ti-White</b>	On request	60 m coils
17901C	Black	Stock item	3 m bars
17901	Black	On request	6 m bars
17901BC	Blue	On request	3 m bars
17901B	Blue	On request	6 m bars
17901B-60	Blue	On request	60 m coils
17902C	Green	Stock item	3 m bars
17902	Green	On request	6 m bars
17902-60	Green	Stock item	60 m coils



## 1014

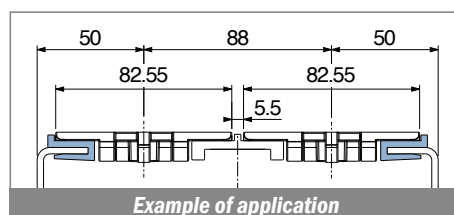
### Profilo "J" / J-Profile / J-Profil

Delivery: **Easy** **Standard** Fit on 3 mm (1/8")



### North America STANDARD

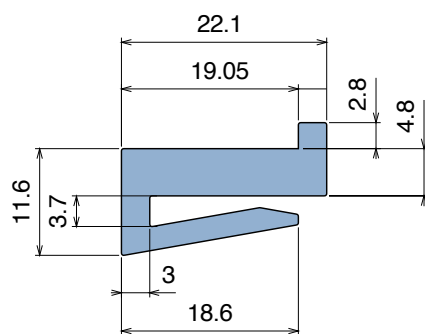
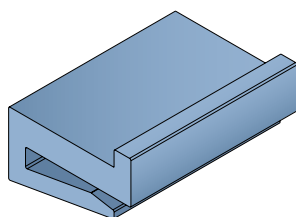
Article-Nr.	Material	Availability	Supply
101400BC	BluLub	On request	3 m bars
101400B	BluLub	On request	6 m bars
101400B-30	BluLub	On request	30 m coils
101403C	Ti-White	Stock item	3 m bars
101403	Ti-White	On request	6 m bars
101403-30	Ti-White	Stock item	30 m coils
101405C	Blue	On request	3 m bars
101405	Blue	On request	6 m bars
101405-30	Blue	On request	30 m coils



## 1015

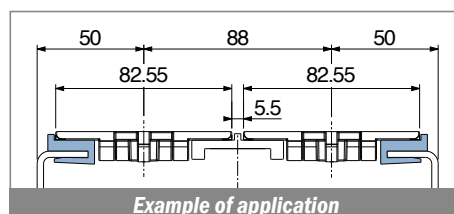
### Profilo "J" / J-Profile / J-Profil

Delivery: **Easy** **Standard** Fit on 2,5 to 3,5 mm (1/8")



### North America STANDARD

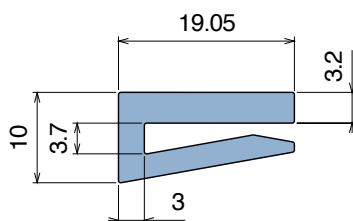
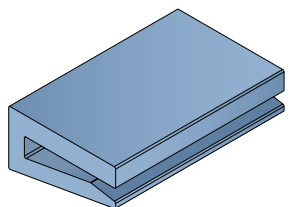
Article-Nr.	Material	Availability	Supply
101500BC	BluLub	On request	3 m bars
101500B	BluLub	On request	6 m bars
101500B-30	BluLub	On request	30 m coils
101503C	Ti-White	On request	3 m bars
101503	Ti-White	On request	6 m bars
101503-30	Ti-White	On request	30 m coils
101505C	Blue	On request	3 m bars
101505	Blue	On request	6 m bars
101505-30	Blue	On request	30 m coils



## 1016

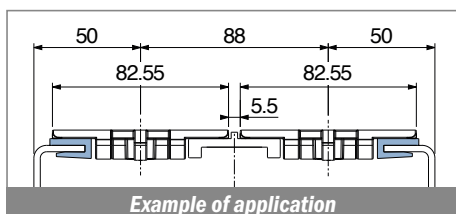
### Profilo "J" / J-Profile / J-Profil

Delivery: **Easy** **Standard** Fit on 3 mm (1/8")



### North America STANDARD

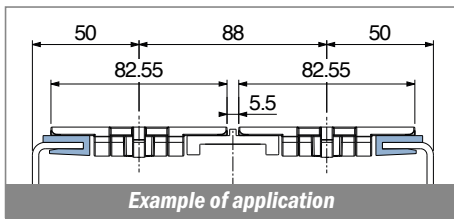
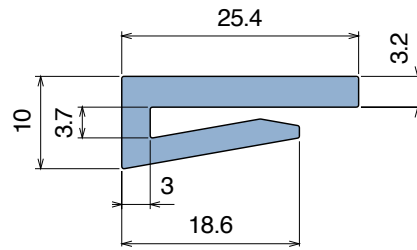
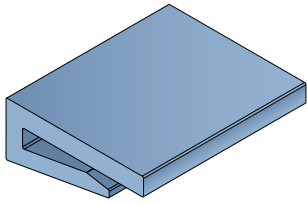
Article-Nr.	Material	Availability	Supply
101600BC	BluLub	On request	3 m bars
101600B	BluLub	On request	6 m bars
101600B-30	BluLub	On request	30 m coils
101603C	Ti-White	Stock item	3 m bars
101603	Ti-White	On request	6 m bars
101603-30	Ti-White	Stock item	30 m coils
101601C	Black	On request	3 m bars
101601	Black	On request	6 m bars
101601-30	Black	On request	30 m coils
101605C	Blue	On request	3 m bars
101605	Blue	On request	6 m bars
101605-30	Blue	On request	30 m coils
101602C	Green	On request	3 m bars
101602	Green	On request	6 m bars
101602-30	Green	On request	30 m coils



## 1017

### Profilo "J" / J-Profile / J-Profil

Delivery: **Easy** **Standard** Fit on 3 mm (1/8")



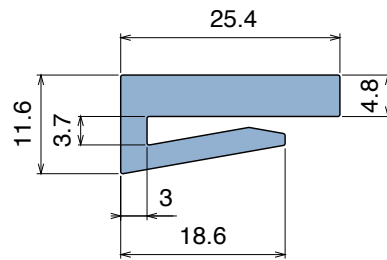
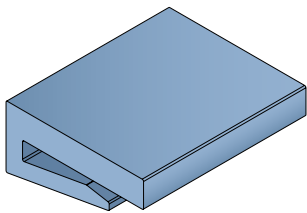
### North America STANDARD

Article-Nr.	Material	Availability	Supply
101700BC	BluLub	On request	3 m bars
101700B	BluLub	On request	6 m bars
101700B-30	BluLub	On request	30 m coils
101703C	Ti-White	Stock item	3 m bars
101703	Ti-White	On request	6 m bars
101703-30	Ti-White	Stock item	30 m coils
101701C	Black	On request	3 m bars
101701	Black	On request	6 m bars
101701-30	Black	On request	30 m coils
101705C	Blue	On request	3 m bars
101705	Blue	On request	6 m bars
101705-30	Blue	On request	30 m coils
101702C	Green	On request	3 m bars
101702	Green	On request	6 m bars
101702-30	Green	On request	30 m coils

## 1018

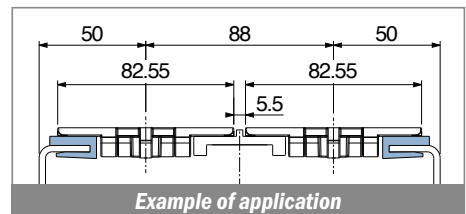
### Profilo "J" / J-Profile / J-Profil

Delivery: **Easy** **Standard** Fit on 3 mm (1/8")



### North America STANDARD

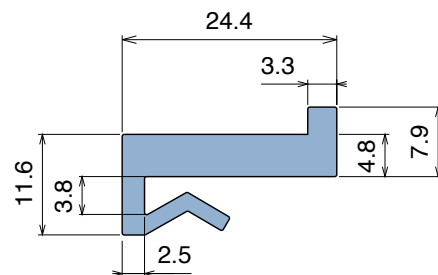
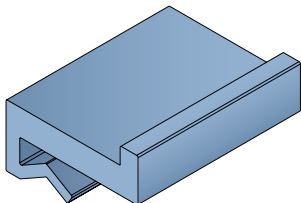
Article-Nr.	Material	Availability	Supply
101800BC	BluLub	On request	3 m bars
101800B	BluLub	On request	6 m bars
101800B-30	BluLub	On request	30 m coils
101803C	Ti-White	Stock item	3 m bars
101803	Ti-White	On request	6 m bars
101803-30	Ti-White	On request	30 m coils
101805C	Blue	On request	3 m bars
101805	Blue	On request	6 m bars
101805-30	Blue	On request	30 m coils



## 1019

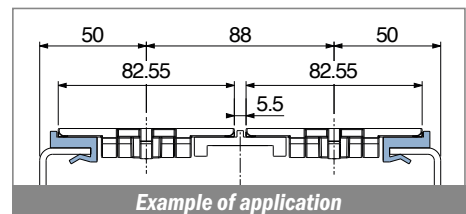
### Profilo "J" / J-Profile / J-Profil

Delivery: **Easy** **Standard** Fit on 3 mm (1/8")



### North America STANDARD

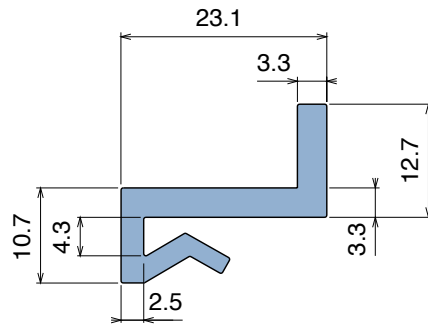
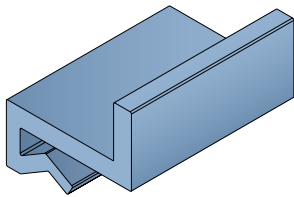
Article-Nr.	Material	Availability	Supply
101900BC	BluLub	On request	3 m bars
101900B	BluLub	On request	6 m bars
101900B-30	BluLub	On request	30 m coils
101903C	Ti-White	Stock item	3 m bars
101903	Ti-White	On request	6 m bars
101903-30	Ti-White	On request	30 m coils
101905C	Blue	On request	3 m bars
101905	Blue	On request	6 m bars
101905-30	Blue	On request	30 m coils



## 1020

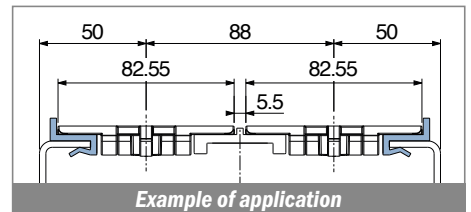
### Profilo "J" / J-Profile / J-Profil

Delivery: **Easy** **Standard** Fit on 3 mm (1/8")



### North America STANDARD

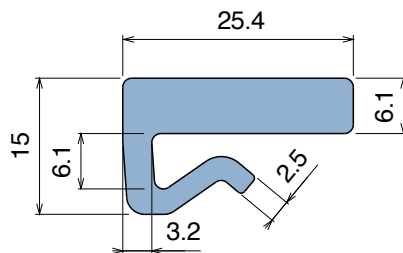
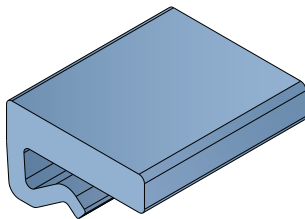
Article-Nr.	Material	Availability	Supply
102000BC	BluLub	On request	3 m bars
102000B	BluLub	On request	6 m bars
102003C	Ti-White	Stock item	3 m bars
102003	Ti-White	Stock item	6 m bars
102001C	Black	On request	3 m bars
102001	Black	On request	6 m bars
102005C	Blue	On request	3 m bars
102005	Blue	On request	6 m bars
102002C	Green	On request	3 m bars
102002	Green	On request	6 m bars



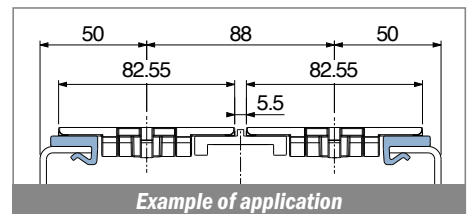
## NEW 1091

### Profilo "J" / J-Profile / J-Profil

Fit on 3 mm



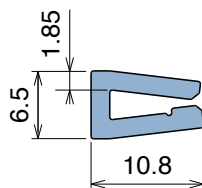
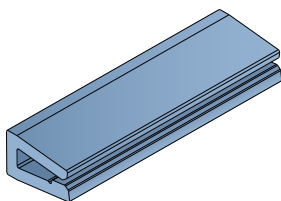
Article-Nr.	Material	Availability	Supply
109100B-30	BluLub	On request	30 m coils
109103-30	Ti-White	On request	30 m coils
109105-30	Blue	On request	30 m coils



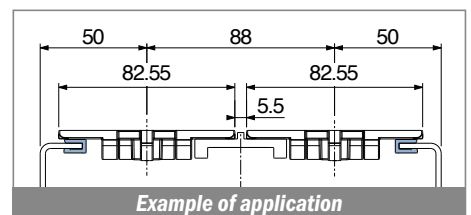
## 1068

### Profilo "J" / J-Profile / J-Profil

Delivery: **Easy** **Standard** Fit on 1,8 to 2 mm



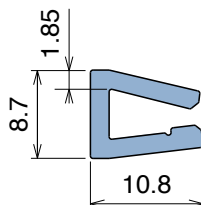
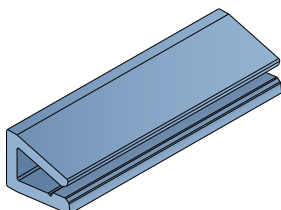
Article-Nr.	Material	Availability	Supply
106800B	BluLub	Stock item	30 m coils
106802	Ti-White	On request	30 m coils
106805	Blue	On request	30 m coils



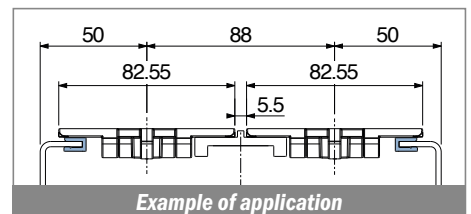
## NEW 1090

### Profilo "J" / J-Profile / J-Profil

Delivery: **Easy** **Standard** Fit on 1,8 to 2 mm



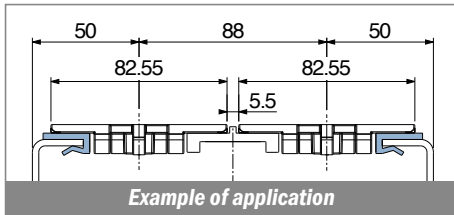
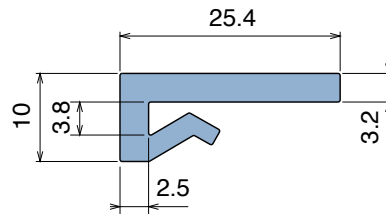
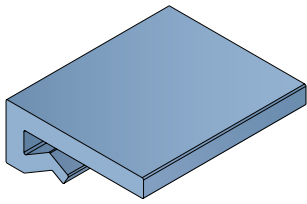
Article-Nr.	Material	Availability	Supply
109000B	BluLub	On request	30 m coils
109002	Ti-White	On request	30 m coils
109005	Blue	On request	30 m coils



## 1021

### Profilo "J" / J-Profile / J-Profil

Delivery: **Easy** **Standard** Fit on 3 mm (1/8")



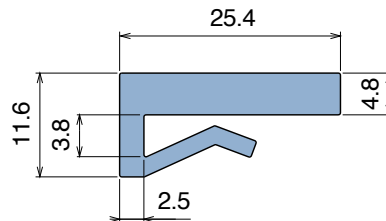
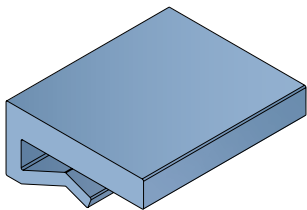
### North America STANDARD

Article-Nr.	Material	Availability	Supply
102100BC	BluLub	On request	3 m bars
102100B	BluLub	On request	6 m bars
102100B-30	BluLub	On request	30 m coils
102103C	Ti-White	Stock item	3 m bars
102103	Ti-White	On request	6 m bars
102103-30	Ti-White	Stock item	30 m coils
102101C	Black	On request	3 m bars
102101	Black	On request	6 m bars
102101-30	Black	On request	30 m coils
102105C	Blue	On request	3 m bars
102105	Blue	On request	6 m bars
102105-30	Blue	On request	30 m coils
102102C	Green	On request	3 m bars
102102	Green	On request	6 m bars
102102-30	Green	On request	30 m coils

## 1022

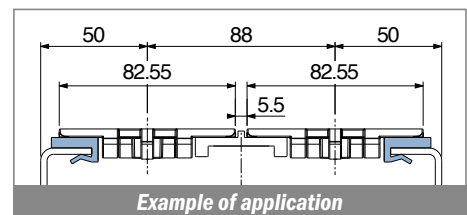
### Profilo "J" / J-Profile / J-Profil

Delivery: **Easy** **Standard** Fit on 3 mm (1/8")



### North America STANDARD

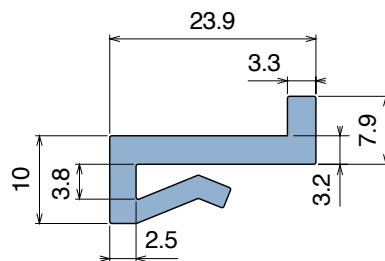
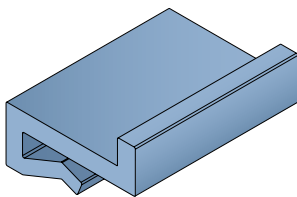
Article-Nr.	Material	Availability	Supply
102200BC	BluLub	On request	3 m bars
102200B	BluLub	On request	6 m bars
102200B-30	BluLub	On request	30 m coils
102203C	Ti-White	Stock item	3 m bars
102203	Ti-White	On request	6 m bars
102203-30	Ti-White	On request	30 m coils
102205C	Blue	On request	3 m bars
102205	Blue	On request	6 m bars
102205-30	Blue	On request	30 m coils



## 1023

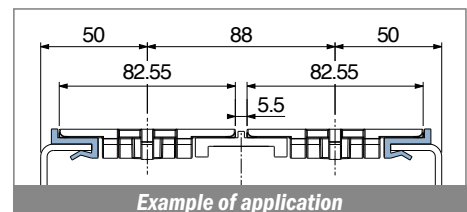
### Profilo "J" / J-Profile / J-Profil

Delivery: **Easy** **Standard** Fit on 3 mm (1/8")



### North America STANDARD

Article-Nr.	Material	Availability	Supply
102300BC	BluLub	On request	3 m bars
102300B	BluLub	On request	6 m bars
102303C	Ti-White	Stock item	3 m bars
102303	Ti-White	On request	6 m bars
102305C	Blue	On request	3 m bars
102305	Blue	On request	6 m bars



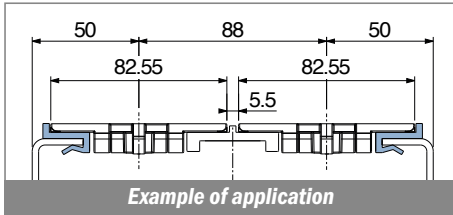
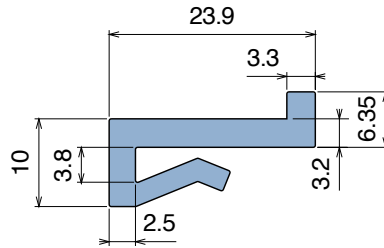
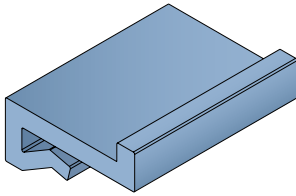
# 1024-1025-1026

Guide estruse / Extruded profiles / Extrudiertes Profil

## 1024

Profilo "J" / J-Profile / J-Profil

Delivery: **Easy** **Standard** Fit on 3 mm (1/8")



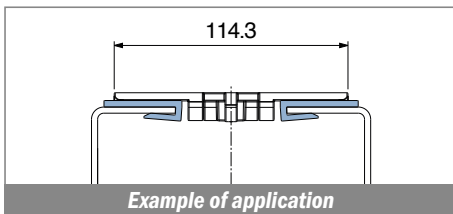
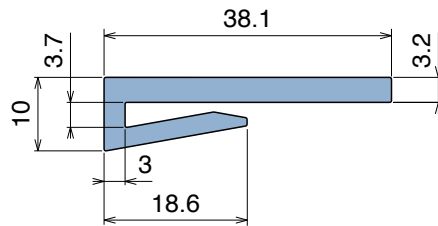
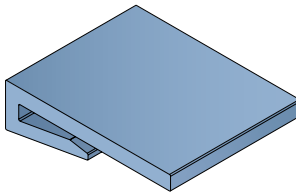
North America STANDARD

Article-Nr.	Material	Availability	Supply
102400BC	BluLub	On request	3 m bars
102400B	BluLub	On request	6 m bars
102400B-30	BluLub	On request	30 m coils
102403C	Ti-White	Stock item	3 m bars
102403	Ti-White	On request	6 m bars
102403-30	Ti-White	Stock item	30 m coils
102401C	Black	On request	3 m bars
102401	Black	On request	6 m bars
102401-30	Black	On request	30 m coils
102405C	Blue	On request	3 m bars
102405	Blue	On request	6 m bars
102405-30	Blue	On request	30 m coils
102402C	Green	Stock item	3 m bars
102402	Green	Stock item	6 m bars
102402-30	Green	On request	30 m coils

## 1025

Profilo "J" / J-Profile / J-Profil

Delivery: **Easy** **Standard** Fit on 3 mm (1/8")



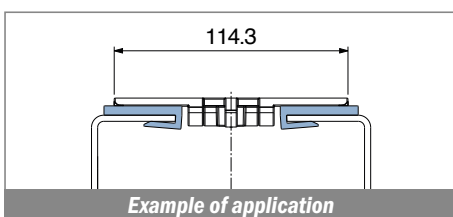
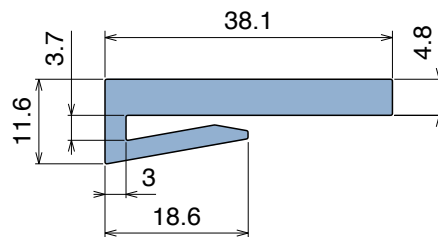
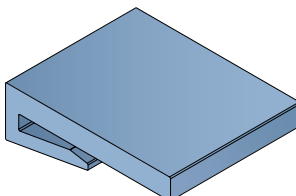
North America STANDARD

Article-Nr.	Material	Availability	Supply
102500BC	BluLub	On request	3 m bars
102500B	BluLub	On request	6 m bars
102500B-30	BluLub	On request	30 m coils
102503C	Ti-White	Stock item	3 m bars
102503	Ti-White	On request	6 m bars
102503-30	Ti-White	Stock item	30 m coils
102501C	Black	On request	3 m bars
102501	Black	On request	6 m bars
102501-30	Black	On request	30 m coils
102505C	Blue	On request	3 m bars
102505	Blue	On request	6 m bars
102505-30	Blue	On request	30 m coils
102502C	Green	On request	3 m bars
102502	Green	On request	6 m bars
102502-30	Green	On request	30 m coils

## 1026

Profilo "J" / J-Profile / J-Profil

Delivery: **Easy** **Standard** Fit on 3 mm (1/8")



North America STANDARD

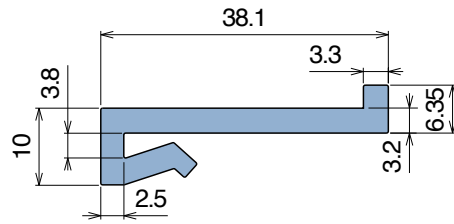
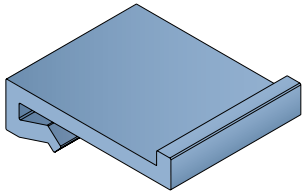
Article-Nr.	Material	Availability	Supply
102600BC	BluLub	On request	3 m bars
102600B	BluLub	On request	6 m bars
102600B-30	BluLub	On request	30 m coils
102603C	Ti-White	Stock item	3 m bars
102603	Ti-White	On request	6 m bars
102603-30	Ti-White	On request	30 m coils
102605C	Blue	On request	3 m bars
102605	Blue	On request	6 m bars
102605-30	Blue	On request	30 m coils



## 1027

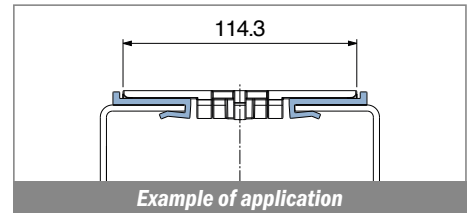
### Profilo "J" / J-Profile / J-Profil

Delivery: **Easy** **Standard** Fit on 3 mm (1/8")



### North America STANDARD

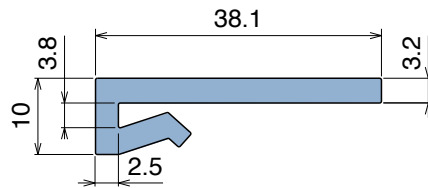
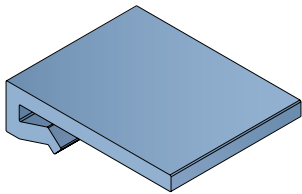
Article-Nr.	Material	Availability	Supply
102700BC	BluLub	On request	3 m bars
102700B	BluLub	On request	6 m bars
102700B-30	BluLub	On request	30 m coils
102703C	Ti-White	Stock item	3 m bars
102703	Ti-White	On request	6 m bars
102703-30	Ti-White	On request	30 m coils
102705C	Blue	On request	3 m bars
102705	Blue	On request	6 m bars
102705-30	Blue	On request	30 m coils



## 1028

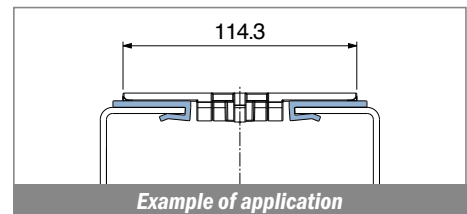
### Profilo "J" / J-Profile / J-Profil

Delivery: **Easy** **Standard** Fit on 3 mm (1/8")



### North America STANDARD

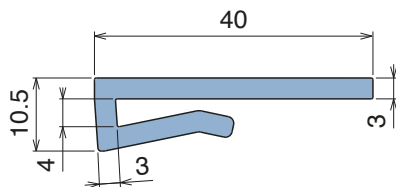
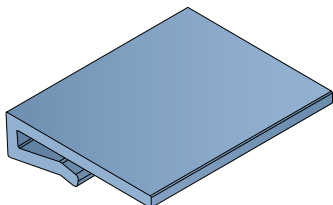
Article-Nr.	Material	Availability	Supply
102800BC	BluLub	On request	3 m bars
102800B	BluLub	On request	6 m bars
102800B-30	BluLub	On request	30 m coils
102803C	Ti-White	Stock item	3 m bars
102803	Ti-White	On request	6 m bars
102803-30	Ti-White	Stock item	30 m coils
102805C	Blue	On request	3 m bars
102805	Blue	On request	6 m bars
102805-30	Blue	On request	30 m coils



## 1046

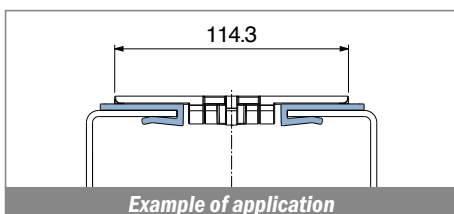
### Profilo "J" / J-Profile / J-Profil

Delivery: **Easy** **Standard** Fit on 3 mm (1/8")



### North America STANDARD

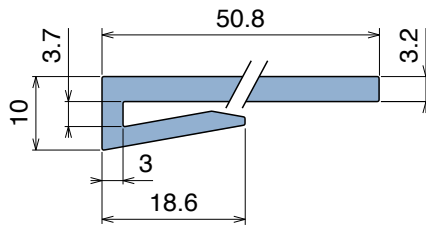
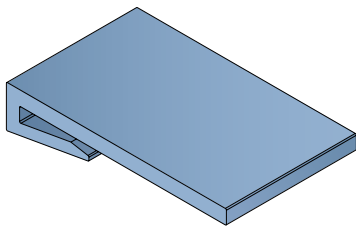
Article-Nr.	Material	Availability	Supply
104600BC	BluLub	On request	3 m bars
104600B	BluLub	On request	6 m bars
104600B-30	BluLub	Stock item	30 m coils
104603C	Ti-White	Stock item	3 m bars
104603	Ti-White	On request	6 m bars
104603-30	Ti-White	Stock item	30 m coils
104601C	Black	On request	3 m bars
104601	Black	On request	6 m bars
104601-30	Black	On request	30 m coils
104605C	Blue	On request	3 m bars
104605	Blue	On request	6 m bars
104605-30	Blue	On request	30 m coils
104602C	Green	Stock item	3 m bars
104602	Green	On request	6 m bars
104602-30	Green	Stock item	30 m coils



## 1029

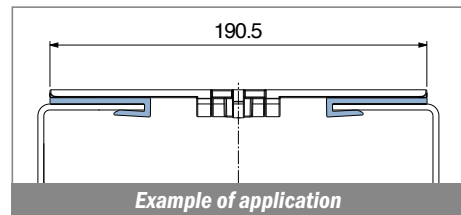
### Profilo "J" / J-Profile / J-Profil

Delivery: **Easy** **Standard** Fit on 3 mm (1/8")



### North America STANDARD

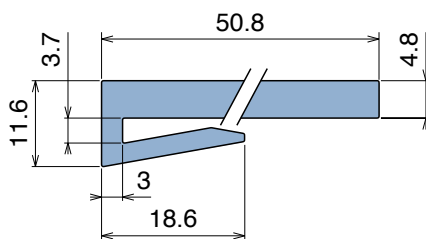
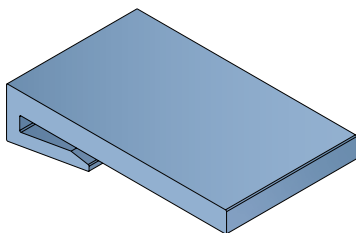
Article-Nr.	Material	Availability	Supply
102900BC	BluLub	On request	3 m bars
102900B	BluLub	On request	6 m bars
102900B-30	BluLub	On request	30 m coils
102903C	Ti-White	Stock item	3 m bars
102903	Ti-White	On request	6 m bars
102903-30	Ti-White	On request	30 m coils
102905C	Blue	On request	3 m bars
102905	Blue	On request	6 m bars
102905-30	Blue	On request	30 m coils



## 1030

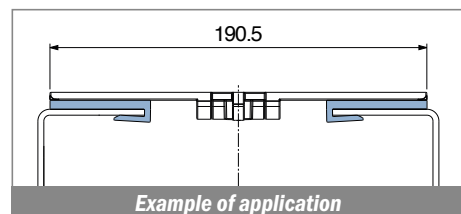
### Profilo "J" / J-Profile / J-Profil

Delivery: **Easy** **Standard** Fit on 3 mm (1/8")



### North America STANDARD

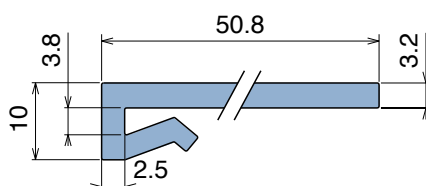
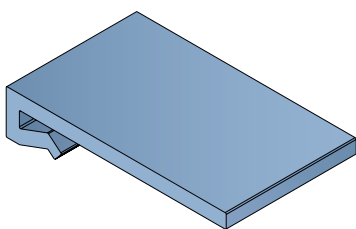
Article-Nr.	Material	Availability	Supply
103000BC	BluLub	On request	3 m bars
103000B	BluLub	On request	6 m bars
103003C	Ti-White	Stock item	3 m bars
103003	Ti-White	On request	6 m bars
103005C	Blue	On request	3 m bars
103005	Blue	On request	6 m bars



## 1031

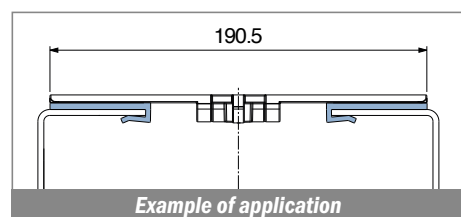
### Profilo "J" / J-Profile / J-Profil

Delivery: **Easy** **Standard** Fit on 3 mm (1/8")



### North America STANDARD

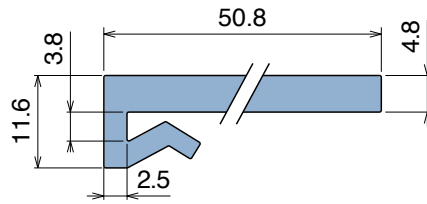
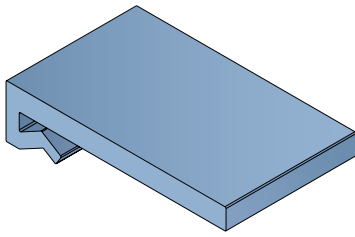
Article-Nr.	Material	Availability	Supply
103100BC	BluLub	Stock item	3 m bars
103100B	BluLub	On request	6 m bars
103103C	Ti-White	Stock item	3 m bars
103103	Ti-White	Stock item	6 m bars
103105C	Blue	On request	3 m bars
103105	Blue	On request	6 m bars



## 1032

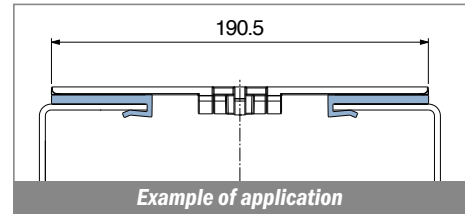
### Profilo "J" / J-Profile / J-Profil

Delivery: **Easy** **Standard** Fit on 3 mm (1/8")



### North America STANDARD

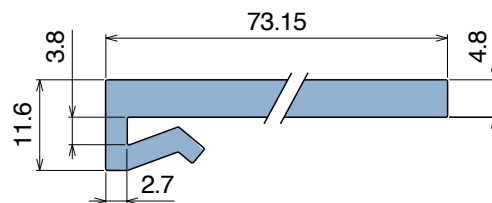
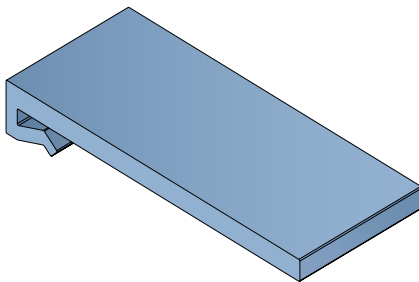
Article-Nr.	Material	Availability	Supply
103200BC	BluLub	On request	3 m bars
103200B	BluLub	On request	6 m bars
103203C	Ti-White	Stock item	3 m bars
103203	Ti-White	On request	6 m bars
103205C	Blue	On request	3 m bars
103205	Blue	On request	6 m bars



## 1035

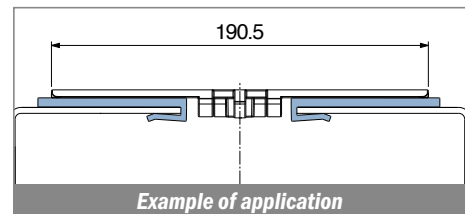
### Profilo "J" / J-Profile / J-Profil

Delivery: **Easy** **Standard** Fit on 3 mm (1/8")



### North America STANDARD

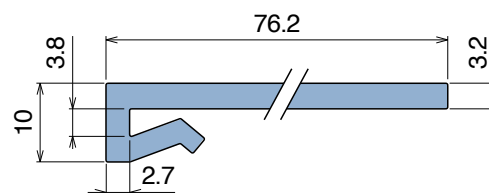
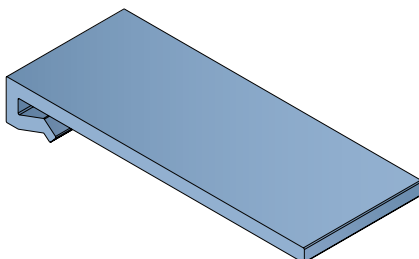
Article-Nr.	Material	Availability	Supply
103500BC	BluLub	On request	3 m bars
103500B	BluLub	On request	6 m bars
103503C	Ti-White	Stock item	3 m bars
103503	Ti-White	On request	6 m bars
103505C	Blue	On request	3 m bars
103505	Blue	On request	6 m bars



## 1033

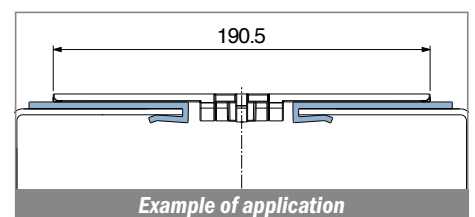
### Profilo "J" / J-Profile / J-Profil

Delivery: **Easy** **Standard** Fit on 3 mm (1/8")



### North America STANDARD

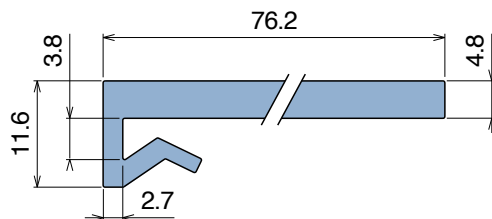
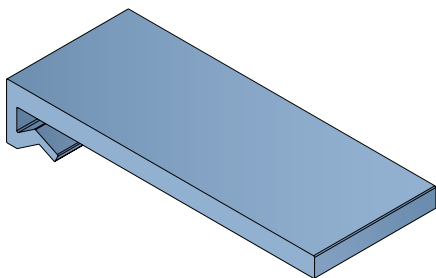
Article-Nr.	Material	Availability	Supply
103300BC	BluLub	Stock item	3 m bars
103300B	BluLub	On request	6 m bars
103303C	Ti-White	Stock item	3 m bars
103303	Ti-White	On request	6 m bars
103305C	Blue	On request	3 m bars
103305	Blue	On request	6 m bars



## 1034

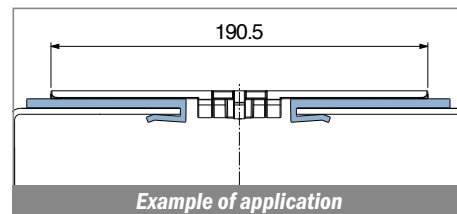
### Profilo "J" / J-Profile / J-Profil

Delivery: **Easy** **Standard** Fit on 3 mm (1/8")



### North America STANDARD

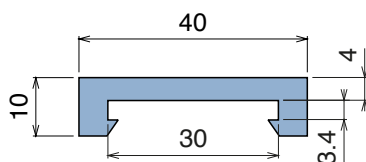
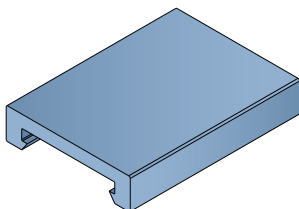
Article-Nr.	Material	Availability	Supply
103400BC	BluLub	On request	3 m bars
103400B	BluLub	On request	6 m bars
103403C	Ti-White	Stock item	3 m bars
103403	Ti-White	On request	6 m bars
103405C	Blue	On request	3 m bars
103405	Blue	On request	6 m bars



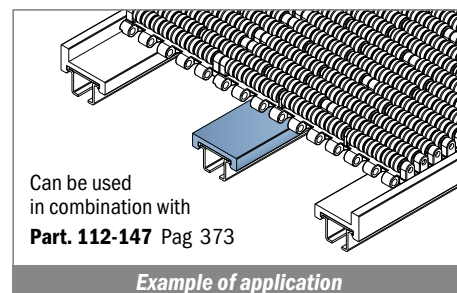
## 109

### Profilo "U" / U-Profile / U-Profil

Delivery: **Easy** **Standard**



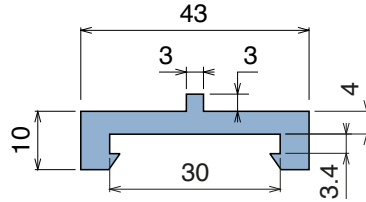
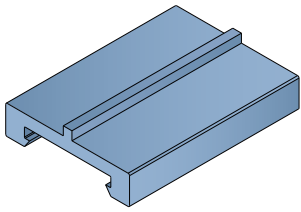
Article-Nr.	Material	Availability	Supply
10901BC	BluLub	Stock item	3 m bars
10901B	BluLub	On request	6 m bars
10901B-30	BluLub	On request	30 m coils
10903C	Ti-White	Stock item	3 m bars
10903	Ti-White	Stock item	6 m bars
10903-30	Ti-White	On request	30 m coils
10901C	Black	Stock item	3 m bars
10901	Black	Stock item	6 m bars
10901-30	Black	Stock item	30 m coils
10905C	Blue	On request	3 m bars
10905	Blue	On request	6 m bars
10905-30	Blue	On request	30 m coils
10902C	Green	Stock item	3 m bars
10902	Green	Stock item	6 m bars
10902-30	Green	On request	30 m coils



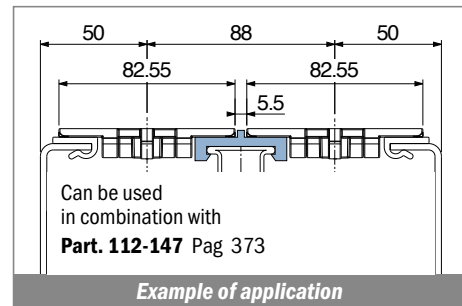
## 110

### Profilo "U" / U-Profile / U-Profil

Delivery: **Easy** **Standard**



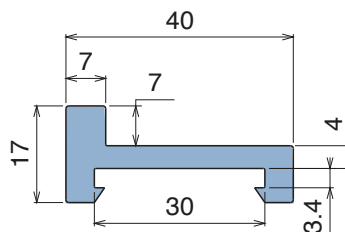
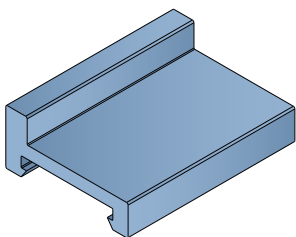
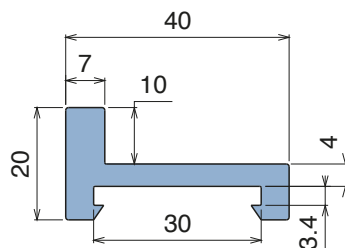
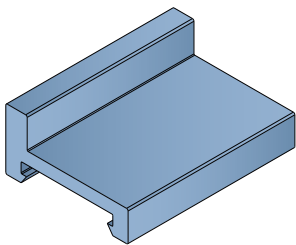
Article-Nr.	Material	Availability	Supply
11000BC	<i>BluLub</i>	On request	3 m bars
11000B	<i>BluLub</i>	On request	6 m bars
11000B-30	<i>BluLub</i>	On request	30 m coils
11003C	<i>Ti-White</i>	On request	3 m bars
11003	<i>Ti-White</i>	On request	6 m bars
11003-30	<i>Ti-White</i>	On request	30 m coils
11001C	Black	Stock item	3 m bars
11001	Black	On request	6 m bars
11001-30	Black	On request	30 m coils
11005C	Blue	On request	3 m bars
11005	Blue	On request	6 m bars
11005-30	Blue	On request	30 m coils
11002C	Green	Stock item	3 m bars
11002	Green	On request	6 m bars
11002-30	Green	On request	30 m coils



## 156

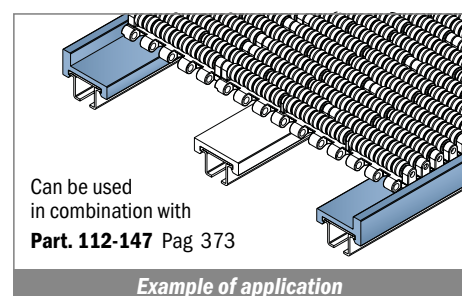
### Profilo "U" / U-Profile / U-Profil

Delivery: **Easy** **Standard**



Article-Nr.	Material	Availability	Supply
15601BC	<i>BluLub</i>	On request	3 m bars
15601B	<i>BluLub</i>	On request	6 m bars
15603C	<i>Ti-White</i>	On request	3 m bars
15603	<i>Ti-White</i>	On request	6 m bars
15601C	Black	Stock item	3 m bars
15601	Black	On request	6 m bars
15605C	Blue	On request	3 m bars
15605	Blue	On request	6 m bars
15602C	Green	Stock item	3 m bars
15602	Green	On request	6 m bars

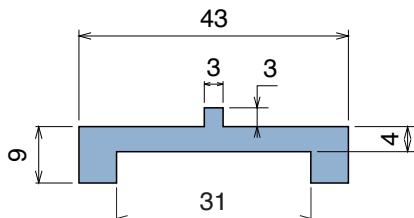
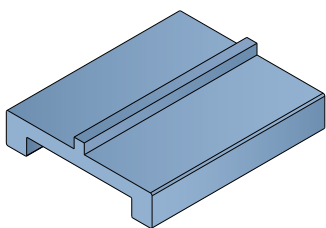
Article-Nr.	Material	Availability	Supply
15699BC	<i>BluLub</i>	Stock item	3 m bars
15699WC	<i>Ti-White</i>	On request	3 m bars
15699NC	Black	On request	3 m bars
15694C	Blue	On request	3 m bars
15699C	Green	Stock item	3 m bars



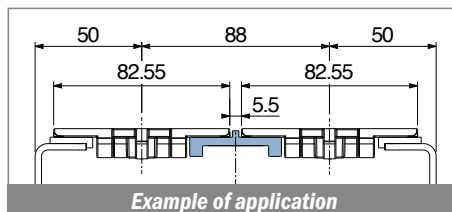
## 149

### Profilo "U" / U-Profile / U-Profil

Delivery: **Easy** **Standard** Coils available



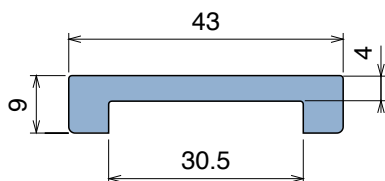
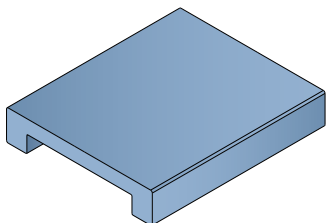
Article-Nr.	Material	Availability	Supply
14950BC	<b>BluLub</b>	On request	3 m bars
14950B	<b>BluLub</b>	On request	6 m bars
14953C	<b>Ti-White</b>	On request	3 m bars
14953	<b>Ti-White</b>	On request	6 m bars
14950C	Black	Stock item	3 m bars
14950	Black	On request	6 m bars
14955C	Blue	On request	3 m bars
14955	Blue	On request	6 m bars
14952C	Green	Stock item	3 m bars
14952	Green	On request	6 m bars



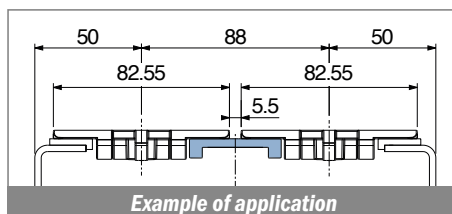
## 177

### Profilo "U" / U-Profile / U-Profil

Delivery: **Easy** **Standard**



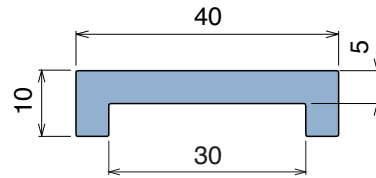
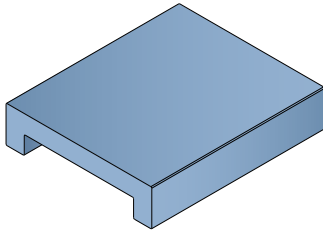
Article-Nr.	Material	Availability	Supply
17701BC	<b>BluLub</b>	Stock item	3 m bars
17701B	<b>BluLub</b>	On request	6 m bars
17701B-30	<b>BluLub</b>	On request	30 m coils
17703C	<b>Ti-White</b>	On request	3 m bars
17703	<b>Ti-White</b>	On request	6 m bars
17703-30	<b>Ti-White</b>	On request	30 m coils
17701C	Black	Stock item	3 m bars
17701	Black	Stock item	6 m bars
17701-30	Black	On request	30 m coils
17705C	Blue	On request	3 m bars
17705	Blue	On request	6 m bars
17705-30	Blue	On request	30 m coils
17702C	Green	Stock item	3 m bars
17702	Green	On request	6 m bars
17702-30	Green	On request	30 m coils



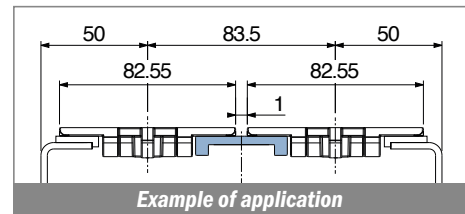
## 1059

### Profilo "U" / U-Profile / U-Profil

Delivery: **Easy** **Standard** Coils available



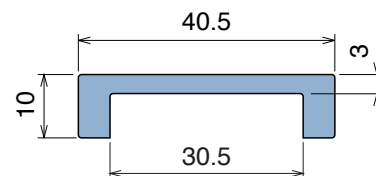
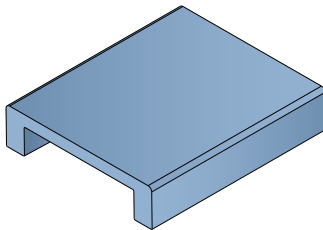
Article-Nr.	Material	Availability	Supply
105901BC	<i>BluLub</i>	Stock item	3 m bars
105901B	<i>BluLub</i>	On request	6 m bars
105901B-30	<i>BluLub</i>	On request	30 m coils
105903C	<i>Ti-White</i>	On request	3 m bars
105903	<i>Ti-White</i>	On request	6 m bars
105903-30	<i>Ti-White</i>	On request	30 m coils
105901C	Black	Stock item	3 m bars
105901	Black	On request	6 m bars
105901-30	Black	On request	30 m coils
105905C	Blue	On request	3 m bars
105905	Blue	On request	6 m bars
105905-30	Blue	On request	30 m coils
105902C	Green	Stock item	3 m bars
105902	Green	On request	6 m bars
105902-30	Green	On request	30 m coils



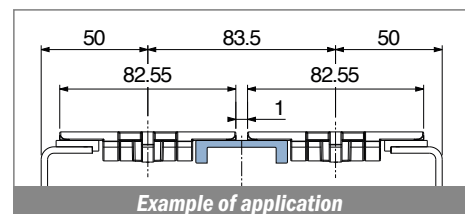
## 178

### Profilo "U" / U-Profile / U-Profil

Delivery: **Easy** **Standard** Coils available



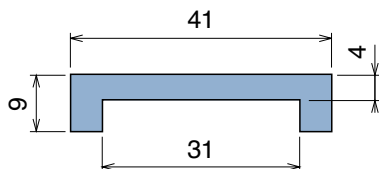
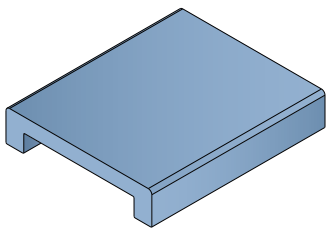
Article-Nr.	Material	Availability	Supply
17801BC	<i>BluLub</i>	Stock item	3 m bars
17801B	<i>BluLub</i>	On request	6 m bars
17801B-30	<i>BluLub</i>	Stock item	30 m coils
17803C	<i>Ti-White</i>	On request	3 m bars
17803	<i>Ti-White</i>	On request	6 m bars
17803-30	<i>Ti-White</i>	Stock item	30 m coils
17801C	Black	Stock item	3 m bars
17801	Black	On request	6 m bars
17801-30	Black	On request	30 m coils
17805C	Blue	On request	3 m bars
17805	Blue	On request	6 m bars
17805-30	Blue	On request	30 m coils
17802C	Green	Stock item	3 m bars
17802	Green	On request	6 m bars
17802-30	Green	Stock item	30 m coils



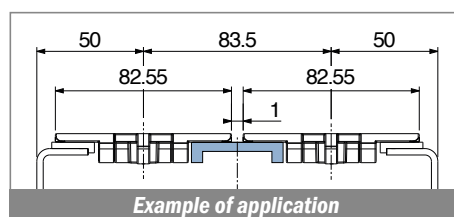
## 111

### Profilo "U" / U-Profile / U-Profil

Delivery: **Easy** **Standard** Coils available



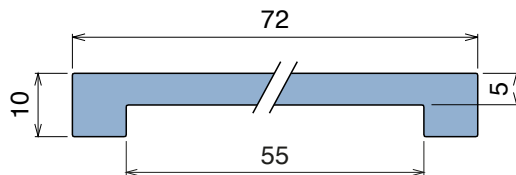
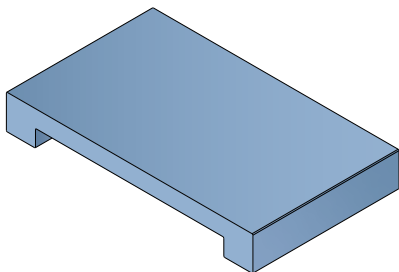
Article-Nr.	Material	Availability	Supply
11101BC	<b>BluLub</b>	Stock item	3 m bars
11101B	<b>BluLub</b>	On request	6 m bars
11101B-30	<b>BluLub</b>	On request	30 m coils
11103C	<b>Ti-White</b>	On request	3 m bars
11103	<b>Ti-White</b>	On request	6 m bars
11103-30	<b>Ti-White</b>	On request	30 m coils
11101C	Black	Stock item	3 m bars
11101	Black	Stock item	6 m bars
11101-30	Black	Stock item	30 m coils
11105C	Blue	On request	3 m bars
11105	Blue	On request	6 m bars
11105-30	Blue	On request	30 m coils
11102C	Green	Stock item	3 m bars
11102	Green	Stock item	6 m bars
11102-30	Green	On request	30 m coils



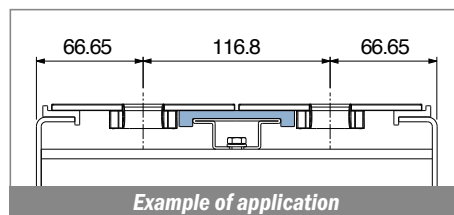
## 1060

### Profilo "U" / U-Profile / U-Profil

Delivery: **Easy** **Standard** Coils available



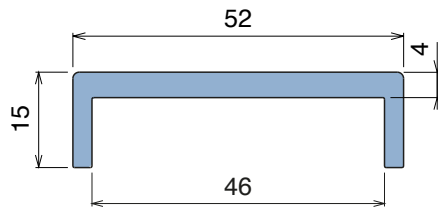
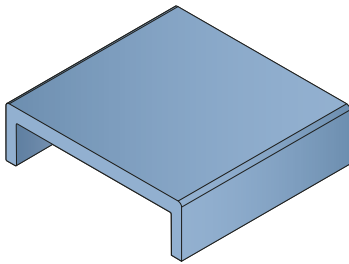
Article-Nr.	Material	Availability	Supply
106000BC	<b>BluLub</b>	On request	3 m bars
106000B	<b>BluLub</b>	On request	6 m bars
106003C	<b>Ti-White</b>	On request	3 m bars
106003	<b>Ti-White</b>	On request	6 m bars
106001C	Black	Stock item	3 m bars
106001	Black	On request	6 m bars
106005C	Blue	On request	3 m bars
106005	Blue	On request	6 m bars
106002C	Green	Stock item	3 m bars
106002	Green	Stock item	6 m bars



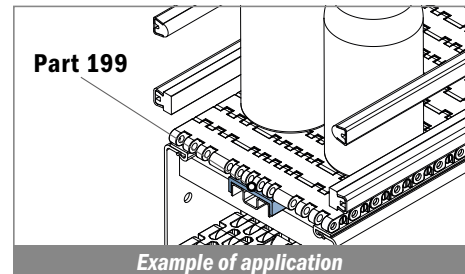


## 199 Profilo "U" / U-Profile / U-Profil

Delivery: **Easy** **Standard** Coils available

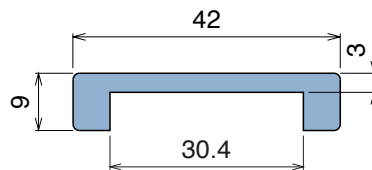
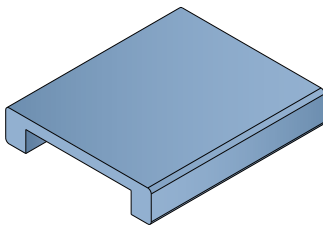


Article-Nr.	Material	Availability	Supply
19976BC	BluLub	On request	3 m bars
19976B	BluLub	On request	6 m bars
19976C	Ti-White	Stock item	3 m bars
19976	Ti-White	On request	6 m bars
19976BLC	Blue	On request	3 m bars
19976BL	Blue	On request	6 m bars



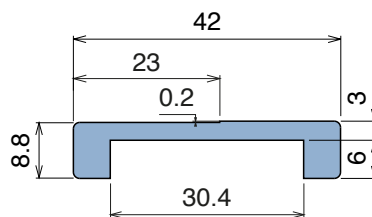
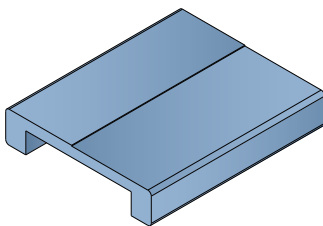
## 199 Profilo "U" / U-Profile / U-Profil

Delivery: **Easy** **Standard** Coils available

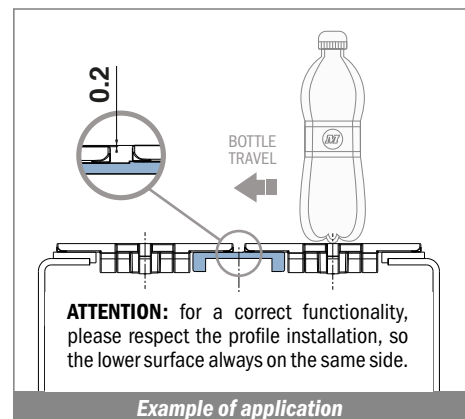
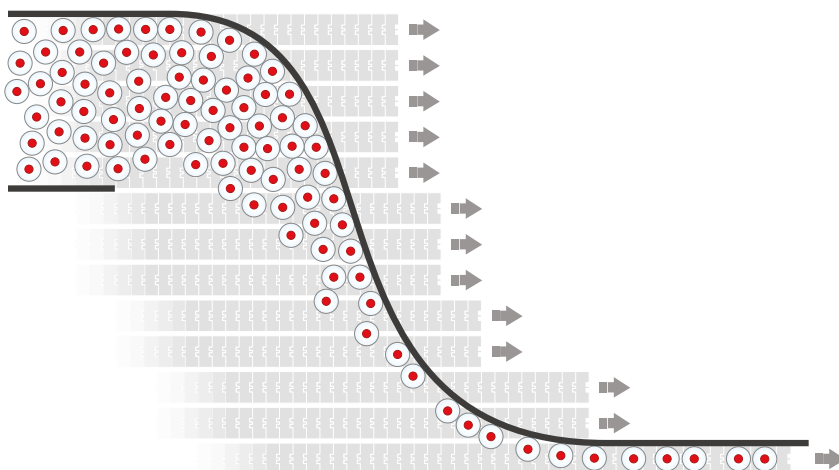


Article-Nr.	Material	Availability	Supply
19944B-30	BluLub	Stock item	30 m coils
19944W-30	Ti-White	On request	30 m coils
19944-30	Black	On request	30 m coils
19944BL-30	Blue	On request	30 m coils
19940-30	Green	Stock item	30 m coils

### Staggered version



Article-Nr.	Material	Availability	Supply
19945B-30	BluLub	Stock item	30 m coils
19945W-30	Ti-White	On request	30 m coils
19945-30	Black	Stock item	30 m coils
19945BL-30	Blue	On request	30 m coils
19946-30	Green	Stock item	30 m coils

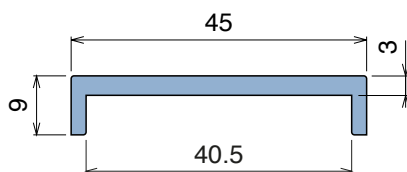
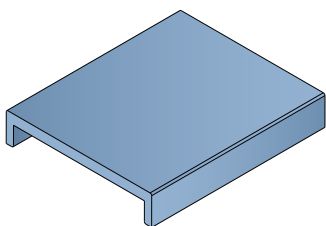


# 1080-1081

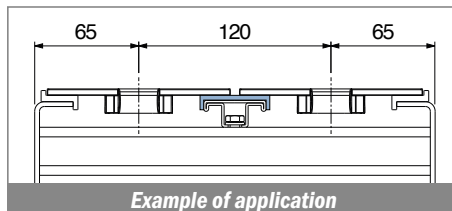
Guide estruse / Extruded profiles / Extrudiertes Profil

## NEW 1080

Profilo "U" / U-Profile / U-Profil

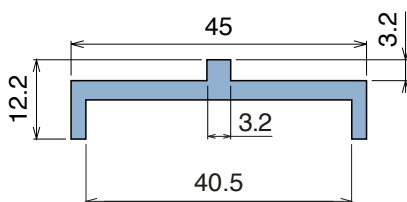
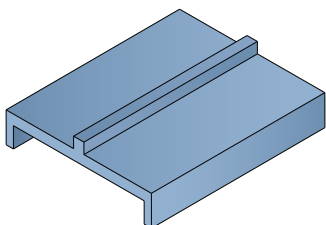


Article-Nr.	Material	Availability	Supply
108000C	<b>BluLub</b>	On request	3 m bars
108003C	<b>Ti-White</b>	On request	3 m bars
108001C	Black	On request	3 m bars
108005C	Blue	On request	3 m bars
108002C	Green	On request	3 m bars

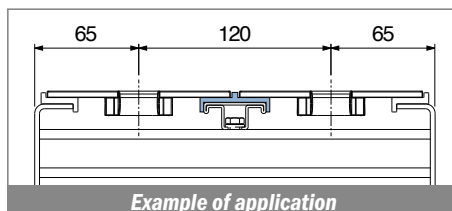


## NEW 1081

Profilo "U" / U-Profile / U-Profil



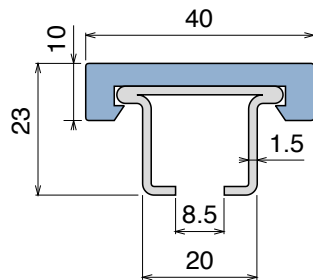
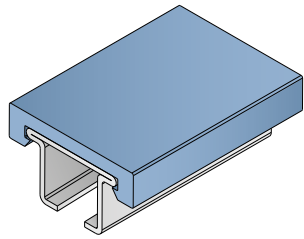
Article-Nr.	Material	Availability	Supply
108100BC	<b>BluLub</b>	On request	3 m bars
108100B	<b>BluLub</b>	On request	6 m bars
108103C	<b>Ti-White</b>	On request	3 m bars
108103	<b>Ti-White</b>	On request	6 m bars
108101C	Black	On request	3 m bars
108101	Black	On request	6 m bars
108105C	Blue	On request	3 m bars
108105	Blue	On request	6 m bars
108102C	Green	On request	3 m bars
108102	Green	On request	6 m bars



## 133

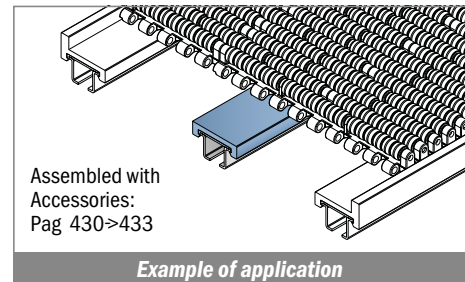
### Profilo "U" assemblato clip-on / U-Profile assembled clip-on / U-Profil montiert clip-on

Delivery: **Easy** **Standard**



Article-Nr.	Material	Metal	Availability	Supply
13305BC	<i>BluLub</i>	AISI 304	Stock item	3 m bars
13305B	<i>BluLub</i>	AISI 304	On request	6 m bars
13307C	<i>Ti-White</i>	AISI 304	On request	3 m bars
13307	<i>Ti-White</i>	AISI 304	On request	6 m bars
13303C	Black	AISI 304	Stock item	3 m bars
13303	Black	AISI 304	On request	6 m bars
13303BLC	Blue	AISI 304	On request	3 m bars
13303BL	Blue	AISI 304	On request	6 m bars
13301C	Green	AISI 304	Stock item	3 m bars
13301	Green	AISI 304	On request	6 m bars

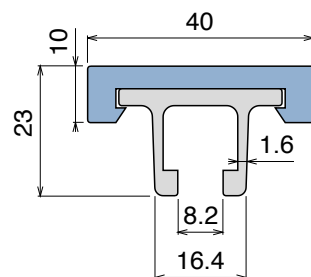
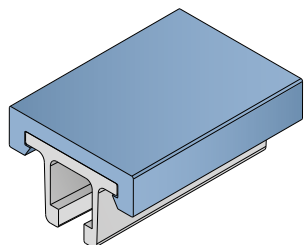
Article-Nr.	Material	Metal	Availability	Supply
13306BC	<i>BluLub</i>	AISI 430	Stock item	3 m bars
13306B	<i>BluLub</i>	AISI 430	On request	6 m bars
13308C	<i>Ti-White</i>	AISI 430	On request	3 m bars
13308	<i>Ti-White</i>	AISI 430	On request	6 m bars
13304C	Black	AISI 430	Stock item	3 m bars
13304	Black	AISI 430	On request	6 m bars
13304BLC	Blue	AISI 430	On request	3 m bars
13304BL	Blue	AISI 430	On request	6 m bars
13302C	Green	AISI 430	Stock item	3 m bars
13302	Green	AISI 430	On request	6 m bars



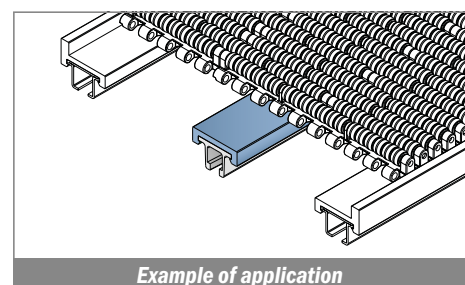
## 148

### Profilo "U" assemblato clip-on / U-Profile assembled clip-on / U-Profil montiert clip-on

Delivery: **Easy** **Standard**



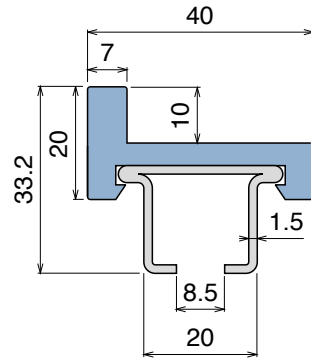
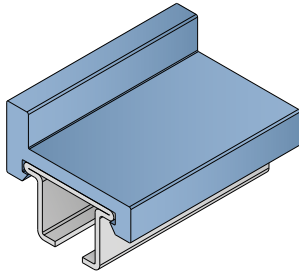
Article-Nr.	Material	Availability	Supply
14801BC	<i>BluLub</i>	Stock item	3 m bars
14801B	<i>BluLub</i>	On request	6 m bars
14803C	<i>Ti-White</i>	Stock item	3 m bars
14803	<i>Ti-White</i>	On request	6 m bars
14802C	Black	Stock item	3 m bars
14802	Black	On request	6 m bars
14805C	Blue	On request	3 m bars
14805	Blue	On request	6 m bars
14801C	Green	Stock item	3 m bars
14801	Green	On request	6 m bars



## 157

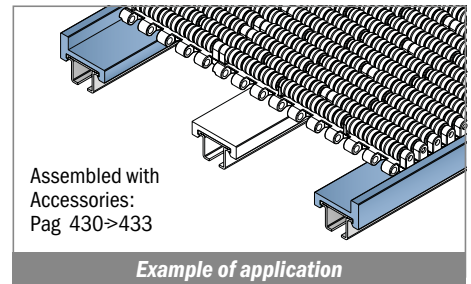
### Profilo "U" assemblato clip-on / U-Profile assembled clip-on / U-Profil montiert clip-on

Delivery: **Easy** Standard



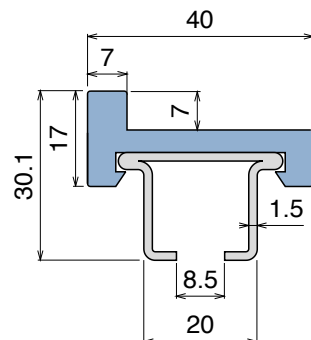
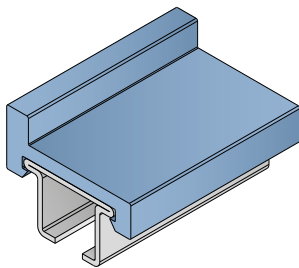
Article-Nr.	Material	Metal	Availability	Supply
<b>15700BC</b>	<i>BluLub</i>	AISI 304	On request	3 m bars
<b>15700B</b>	<i>BluLub</i>	AISI 304	On request	6 m bars
<b>15703C</b>	<i>Ti-White</i>	AISI 304	On request	3 m bars
<b>15703</b>	<i>Ti-White</i>	AISI 304	On request	6 m bars
<b>15704C</b>	Black	AISI 304	On request	3 m bars
<b>15704</b>	Black	AISI 304	On request	6 m bars
<b>15705C</b>	Blue	AISI 304	On request	3 m bars
<b>15705</b>	Blue	AISI 304	On request	6 m bars
<b>15701C</b>	Green	AISI 304	Stock item	3 m bars
<b>15701</b>	Green	AISI 304	On request	6 m bars

Article-Nr.	Material	Metal	Availability	Supply
<b>15706BC</b>	<i>BluLub</i>	AISI 430	On request	3 m bars
<b>15706B</b>	<i>BluLub</i>	AISI 430	On request	6 m bars
<b>15707C</b>	<i>Ti-White</i>	AISI 430	On request	3 m bars
<b>15707</b>	<i>Ti-White</i>	AISI 430	On request	6 m bars
<b>15708C</b>	Black	AISI 430	On request	3 m bars
<b>15708</b>	Black	AISI 430	On request	6 m bars
<b>15706C</b>	Blue	AISI 430	On request	3 m bars
<b>15706</b>	Blue	AISI 430	On request	6 m bars
<b>15702C</b>	Green	AISI 430	Stock item	3 m bars
<b>15702</b>	Green	AISI 430	On request	6 m bars

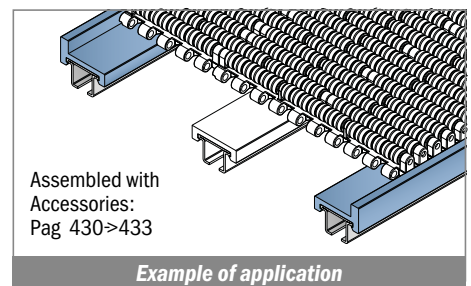


## 157

### Profilo "U" assemblato clip-on / U-Profile assembled clip-on / U-Profil montiert clip-on

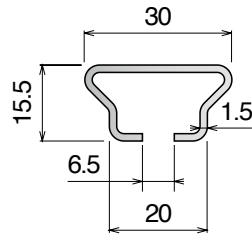
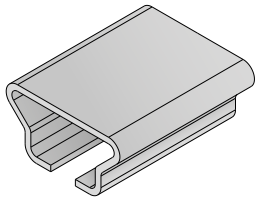


Article-Nr.	Material	Metal	Availability	Supply
<b>15799BC</b>	<i>BluLub</i>	AISI 304	On request	3 m bars
<b>15799WC</b>	<i>Ti-White</i>	AISI 304	On request	3 m bars
<b>15799NC</b>	Black	AISI 304	On request	3 m bars
<b>15799BLC</b>	Blue	AISI 304	On request	3 m bars
<b>15799C</b>	Green	AISI 304	On request	3 m bars

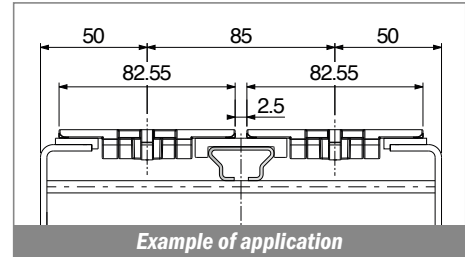


## 118 Profilo in Acciaio inox / Stainless steel profile / Edelstahl-Profil

Delivery: **Easy** **Standard**

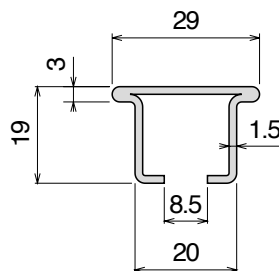
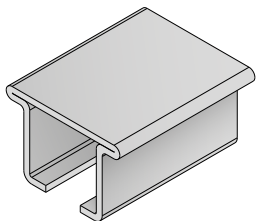


Article-Nr.	Material	Availability	Supply
<b>11801C</b>	AISI 304	Stock item	3 m bars
<b>11801</b>	AISI 304	Stock item	6 m bars
<b>11802C</b>	AISI 430	Stock item	3 m bars
<b>11802</b>	AISI 430	On request	6 m bars

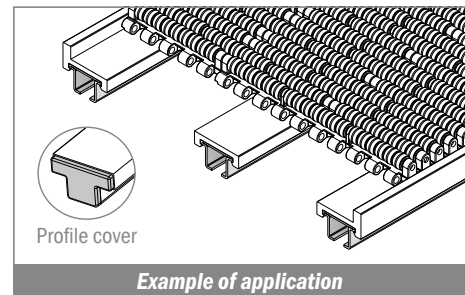


## 112 Profilo in Acciaio inox / Stainless steel profile / Edelstahl-Profil

Delivery: **Easy** **Standard**

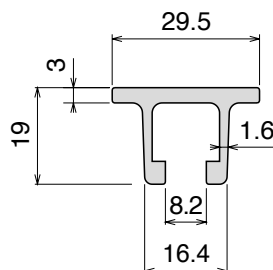
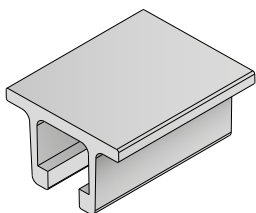


Article-Nr.	Material	Availability	Supply	Profile cover	Box
<b>11201C</b>	AISI 304	Stock item	3 m bars	<b>301401</b>	60 pcs
<b>11201</b>	AISI 304	Stock item	6 m bars	<b>301401</b>	60 pcs
<b>11202C</b>	AISI 430	Stock item	3 m bars	<b>301401</b>	60 pcs
<b>11202</b>	AISI 430	Stock item	6 m bars	<b>301401</b>	60 pcs

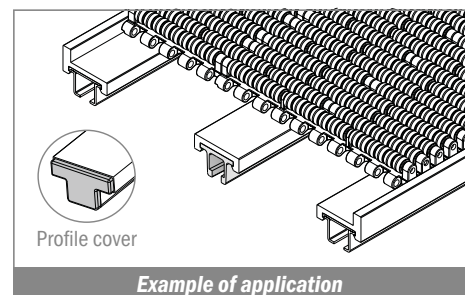


## 147 Profilo in alluminio / Aluminum profile / Aluminium-Profil

Delivery: **Easy** **Standard**



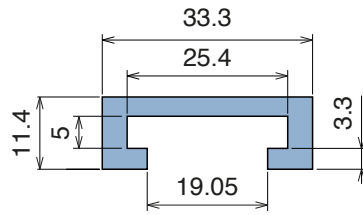
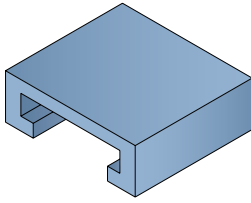
Article-Nr.	Material	Availability	Supply	Profile cover	Box
<b>14701C</b>	Aluminum	Stock item	3 m bars	<b>301402</b>	60 pcs
<b>14701</b>	Aluminum	Stock item	6 m bars	<b>301402</b>	60 pcs



## 1041

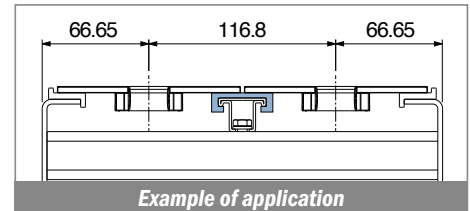
### Profilo "C" / C-Profile / C-Profil

Delivery: **Easy** **Standard** Fit on 25 x 5 mm



### North America STANDARD

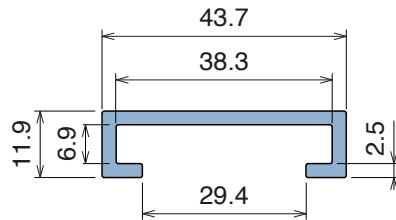
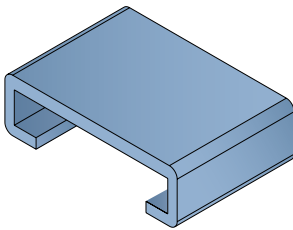
Article-Nr.	Material	Availability	Supply
104100BC	BluLub	On request	3 m bars
104100B	BluLub	On request	6 m bars
104103C	Ti-White	Stock item	3 m bars
104103	Ti-White	On request	6 m bars
104105C	Blue	On request	3 m bars
104105	Blue	On request	6 m bars
104102C	Green	On request	3 m bars
104102	Green	On request	6 m bars



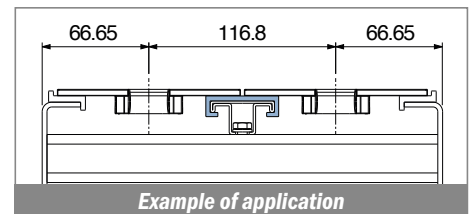
## NEW 1082

### Profilo "C" / C-Profile / C-Profil

Fit on 38.1 x 6.35 mm



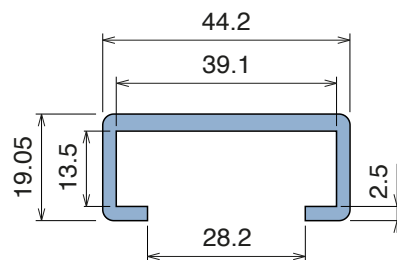
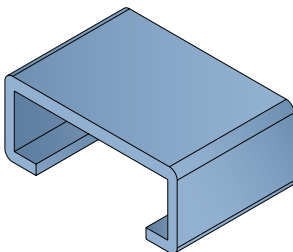
Article-Nr.	Material	Availability	Supply
108200BC	BluLub	On request	3 m bars
108200B	BluLub	On request	6 m bars
108203C	Ti-White	On request	3 m bars
108203	Ti-White	On request	6 m bars
108205C	Blue	On request	3 m bars
108205	Blue	On request	6 m bars



## 1044

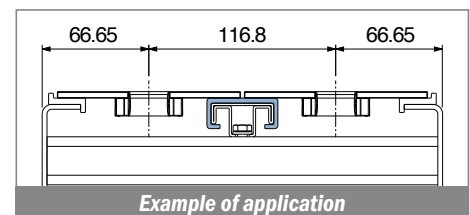
### Profilo "C" / C-Profile / C-Profil

Delivery: **Easy** **Standard** Fit on 38.1 x 12.7 mm



### North America STANDARD

Article-Nr.	Material	Availability	Supply
104400BC	BluLub	On request	3 m bars
104400B	BluLub	On request	6 m bars
104403C	Ti-White	Stock item	3 m bars
104403	Ti-White	On request	6 m bars
104405C	Blue	On request	3 m bars
104405	Blue	On request	6 m bars

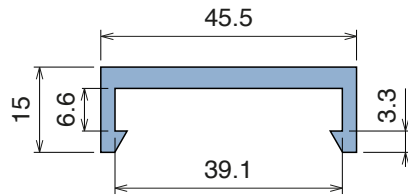
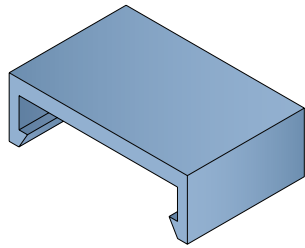


## 1053

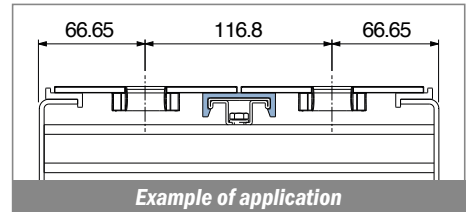
### Profilo "C" / C-Profile / C-Profil

Delivery: **Easy** **Standard** Fit on 38.1 x 6.35 mm

### North America STANDARD



Article-Nr.	Material	Availability	Supply
105300BC	BluLub	On request	3 m bars
105300B	BluLub	On request	6 m bars
105303C	Ti-White	Stock item	3 m bars
105303	Ti-White	On request	6 m bars
105305C	Blue	On request	3 m bars
105305	Blue	On request	6 m bars

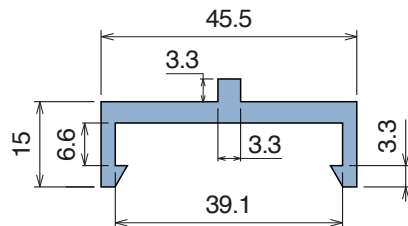
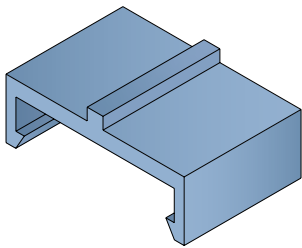


## 1054

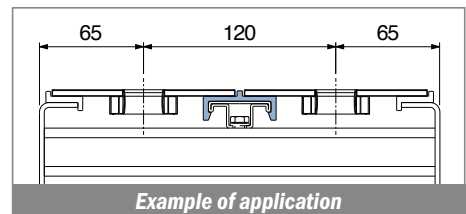
### Profilo "C" / C-Profile / C-Profil

Delivery: **Easy** **Standard** Fit on 38.1 x 6.35 mm

### North America STANDARD



Article-Nr.	Material	Availability	Supply
105400BC	BluLub	On request	3 m bars
105400B	BluLub	On request	6 m bars
105403C	Ti-White	Stock item	3 m bars
105403	Ti-White	On request	6 m bars
105405C	Blue	On request	3 m bars
105405	Blue	On request	6 m bars

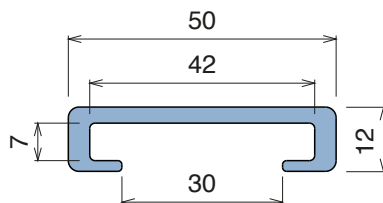
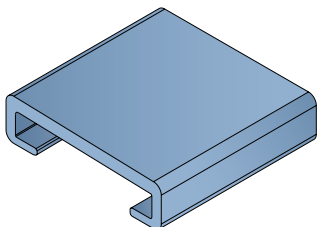


## NEW 1101

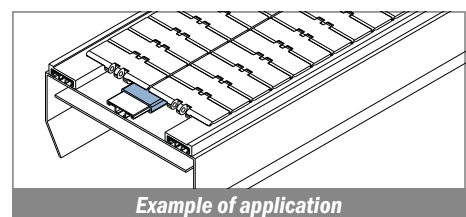
### Profilo "C" / C-Profile / C-Profil

Fit on 40 x 6 mm

Article-Nr. Material Availability Supply



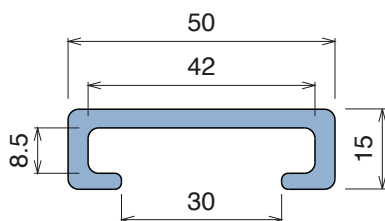
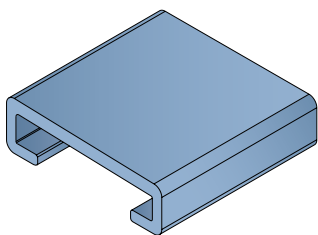
110100BC	BluLub	On request	3 m bars
110100B	BluLub	On request	6 m bars
110103C	Ti-White	On request	3 m bars
110103	Ti-White	On request	6 m bars
110105C	Blue	On request	3 m bars
110105	Blue	On request	6 m bars



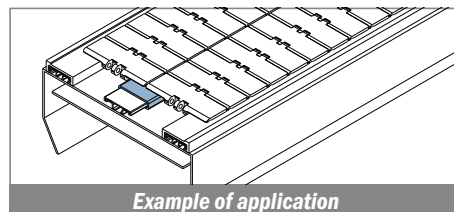
## 137

### Profilo "C" / C-Profile / C-Profil

Delivery: **Easy** **Standard** Fit on 40 x 8 mm



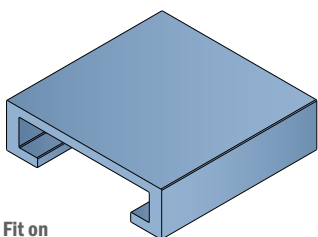
Article-Nr.	Material	Availability	Supply
13701BC	<b>BluLub</b>	Stock item	3 m bars
13701B	<b>BluLub</b>	On request	6 m bars
13703C	<b>Ti-White</b>	Stock item	3 m bars
13703	<b>Ti-White</b>	On request	6 m bars
13702C	Black	Stock item	3 m bars
13702	Black	On request	6 m bars
13705C	Blue	On request	3 m bars
13705	Blue	On request	6 m bars
13701C	Green	Stock item	3 m bars
13701	Green	Stock item	6 m bars



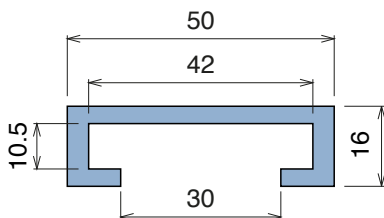
## 137

### Profilo "C" / C-Profile / C-Profil

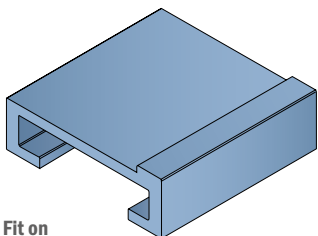
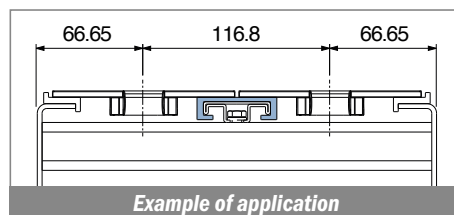
Delivery: **Easy** **Standard**



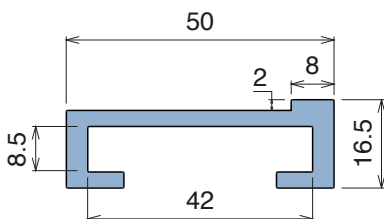
Fit on 40 x 8 mm



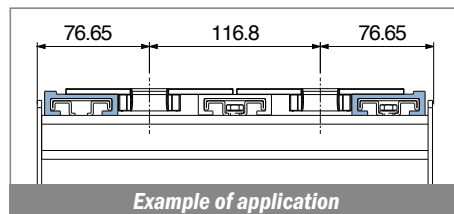
Article-Nr.	Material	Availability	Supply
13711BC	<b>BluLub</b>	Stock item	3 m bars
13711B	<b>BluLub</b>	On request	6 m bars
13713C	<b>Ti-White</b>	On request	3 m bars
13713	<b>Ti-White</b>	On request	6 m bars
13712C	Black	On request	3 m bars
13712	Black	On request	6 m bars
13715C	Blue	On request	3 m bars
13715	Blue	On request	6 m bars
13711C	Green	Stock item	3 m bars
13711	Green	Stock item	6 m bars



Fit on 40 x 10 mm



Article-Nr.	Material	Availability	Supply
13720BC	<b>BluLub</b>	On request	3 m bars
13720B	<b>BluLub</b>	On request	6 m bars
13720C	<b>Ti-White</b>	On request	3 m bars
13720	<b>Ti-White</b>	On request	6 m bars
13725C	Blue	On request	3 m bars
13725	Blue	On request	6 m bars

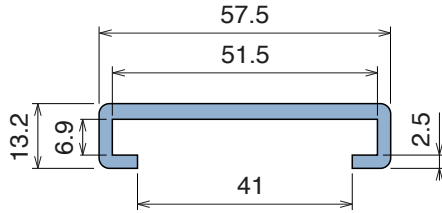
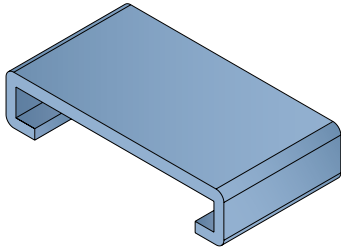




## 1042

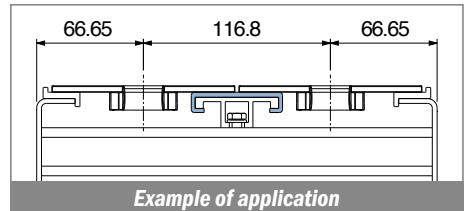
### Profilo "C" / C-Profile / C-Profil

Delivery: **Easy** **Standard** Fit on 50 x 6 mm



### North America STANDARD

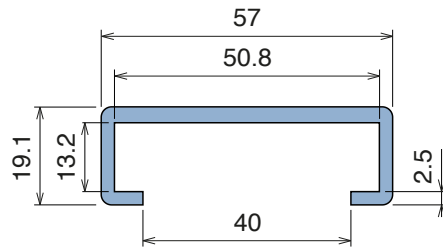
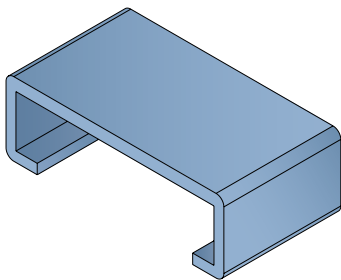
Article-Nr.	Material	Availability	Supply
104200BC	BluLub	On request	3 m bars
104200B	BluLub	On request	6 m bars
104203C	Ti-White	Stock item	3 m bars
104203	Ti-White	On request	6 m bars
104205C	Blue	On request	3 m bars
104205	Blue	On request	6 m bars
104201C	Green	On request	3 m bars
104201	Green	On request	6 m bars



## 1045

### Profilo "C" / C-Profile / C-Profil

Fit on 50.8 x 12.7 mm



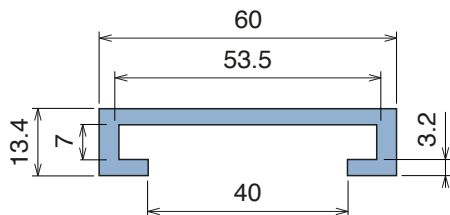
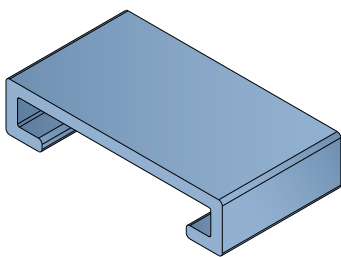
### North America STANDARD

Article-Nr.	Material	Availability	Supply
104500BC	BluLub	On request	3 m bars
104500B	BluLub	On request	6 m bars
104503C	Ti-White	On request	3 m bars
104503	Ti-White	On request	6 m bars
104505C	Blue	On request	3 m bars
104505	Blue	On request	6 m bars

## 158

### Profilo "C" / C-Profile / C-Profil

Delivery: **Easy** **Standard** Fit on 50 x 6 mm



### North America STANDARD

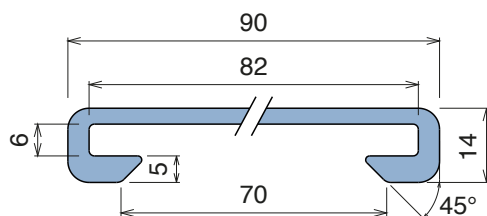
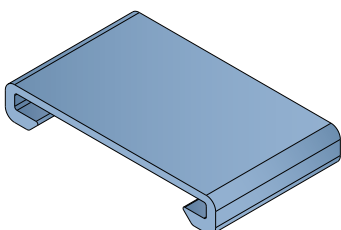
Article-Nr.	Material	Availability	Supply
15800BC	BluLub	Stock item	3 m bars
15894C	Ti-White	On request	3 m bars
15898C	Black	Stock item	3 m bars
15894BLC	Blue	On request	3 m bars
15897C	Green	Stock item	3 m bars
15800C	Grey	Stock item	3 m bars

NEW

## 1102

### Profilo "C" / C-Profile / C-Profil

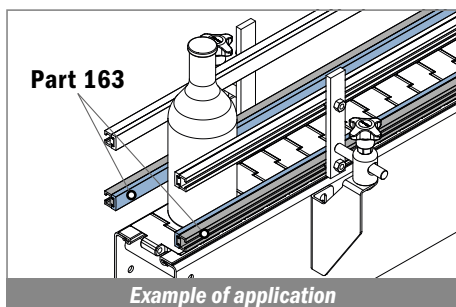
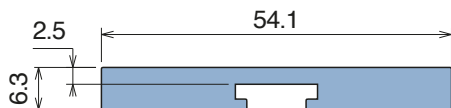
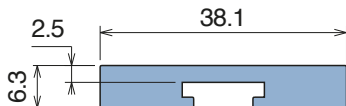
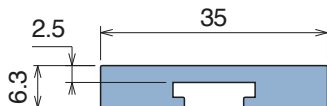
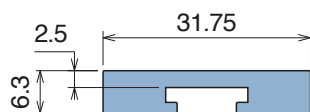
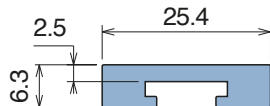
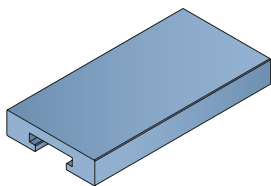
Fit on 80 x 5 mm



Article-Nr.	Material	Availability	Supply
110200BC	BluLub	On request	3 m bars
110200B	BluLub	On request	6 m bars
110203C	Ti-White	On request	3 m bars
110203	Ti-White	On request	6 m bars
110205C	Blue	On request	3 m bars
110205	Blue	On request	6 m bars

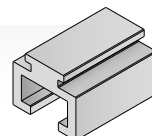
## 163 Profilo "C" / C-Profile / C-Profil

Delivery: **Easy** **Standard** Coils available



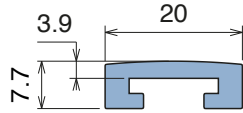
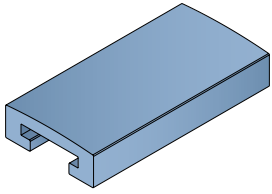
Article-Nr.	Material	A	Availability	Supply
16303BC	BluLub	25,4	Stock item	3 m bars
16303B	BluLub	25,4	On request	6 m bars
16303B-30	BluLub	25,4	Stock item	30 m coils
16313BC	BluLub	31,75	On request	3 m bars
16313B	BluLub	31,75	On request	6 m bars
16313B-30	BluLub	31,75	On request	30 m coils
16323BC	BluLub	35	On request	3 m bars
16323B	BluLub	35	On request	6 m bars
16323B-30	BluLub	35	On request	30 m coils
16324BC	BluLub	38,1	On request	3 m bars
16324B	BluLub	38,1	On request	6 m bars
16324B-30	BluLub	38,1	On request	30 m coils
16325BC	BluLub	54,1	On request	3 m bars
16325B	BluLub	54,1	On request	6 m bars
16325B-30	BluLub	54,1	On request	30 m coils
16303C	Ti-White	25,4	Stock item	3 m bars
16303	Ti-White	25,4	On request	6 m bars
16303-30	Ti-White	25,4	Stock item	30 m coils
16313C	Ti-White	31,75	Stock item	3 m bars
16313	Ti-White	31,75	On request	6 m bars
16313-30	Ti-White	31,75	On request	30 m coils
16323C	Ti-White	35	Stock item	3 m bars
16323	Ti-White	35	On request	6 m bars
16323-30	Ti-White	35	On request	30 m coils
16324C	Ti-White	38,1	Stock item	3 m bars
16324	Ti-White	38,1	Stock item	6 m bars
16324-30	Ti-White	38,1	On request	30 m coils
16325C	Ti-White	54,1	On request	3 m bars
16325	Ti-White	54,1	On request	6 m bars
16325-30	Ti-White	54,1	On request	30 m coils
16303BLC	Blue	25,4	On request	3 m bars
16303BL	Blue	25,4	On request	6 m bars
16303BL-30	Blue	25,4	On request	30 m coils
16313BLC	Blue	31,75	On request	3 m bars
16313BL	Blue	31,75	On request	6 m bars
16313BL-30	Blue	31,75	On request	30 m coils
16323BLC	Blue	35	On request	3 m bars
16323BL	Blue	35	On request	6 m bars
16323BL-30	Blue	35	On request	30 m coils
16324BLC	Blue	38,1	On request	3 m bars
16324BL	Blue	38,1	On request	6 m bars
16324BL-30	Blue	38,1	On request	30 m coils
16325BLC	Blue	54,1	On request	3 m bars
16325BL	Blue	54,1	On request	6 m bars
16325BL-30	Blue	54,1	On request	30 m coils

Used with  
**Part 164/165**  
Pag 380

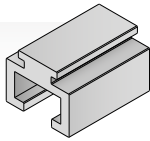


## 160 Profilo "C" / C-Profile / C-Profil

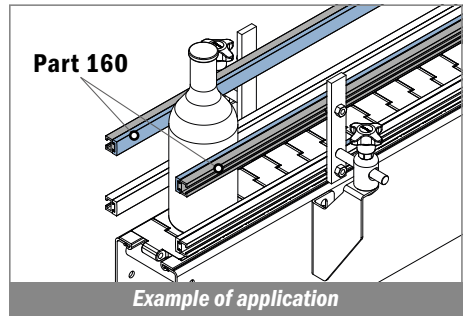
Delivery: **Easy** **Standard**



Used with  
**Part 164/165**  
Pag 380

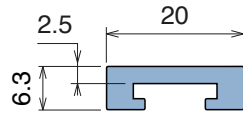
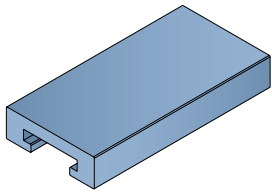


Article-Nr.	Material	Availability	Supply
16003BC	<i>BluLub</i>	Stock item	3 m bars
16003B	<i>BluLub</i>	On request	6 m bars
16003B-30	<i>BluLub</i>	Stock item	30 m coils
16003C	<i>Ti-White</i>	Stock item	3 m bars
16003	<i>Ti-White</i>	Stock item	6 m bars
16003-30	<i>Ti-White</i>	Stock item	30 m coils
16005C	Blue	On request	3 m bars
16005	Blue	On request	6 m bars
16005-30	Blue	On request	30 m coils

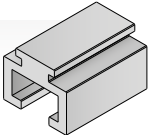


## 161 Profilo "C" / C-Profile / C-Profil

Delivery: **Easy** **Standard** Coils available

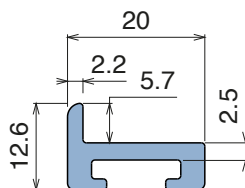
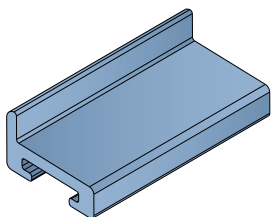


Used with  
**Part 164/165**  
Pag 380

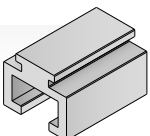


Article-Nr.	Material	Availability	Supply
16103BC	<i>BluLub</i>	On request	3 m bars
16103B	<i>BluLub</i>	On request	6 m bars
16103B-30	<i>BluLub</i>	Stock item	30 m coils
16103C	<i>Ti-White</i>	Stock item	3 m bars
16103	<i>Ti-White</i>	Stock item	6 m bars
16103-30	<i>Ti-White</i>	Stock item	30 m coils
16105C	Blue	On request	3 m bars
16105	Blue	On request	6 m bars
16105-30	Blue	On request	30 m coils

## NEW 1092 Profilo "C" / C-Profile / C-Profil



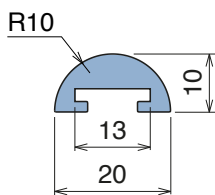
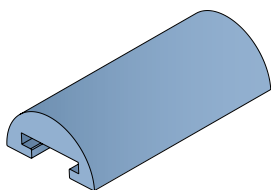
Used with  
**Part 164/165**  
Pag 380



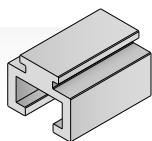
Article-Nr.	Material	Availability	Supply
109200BC	<i>BluLub</i>	On request	3 m bars
109200B	<i>BluLub</i>	On request	6 m bars
109203C	<i>Ti-White</i>	On request	3 m bars
109203	<i>Ti-White</i>	On request	6 m bars
109205C	Blue	On request	3 m bars
109205	Blue	On request	6 m bars

## 162 Profilo "C" / C-Profile / C-Profil

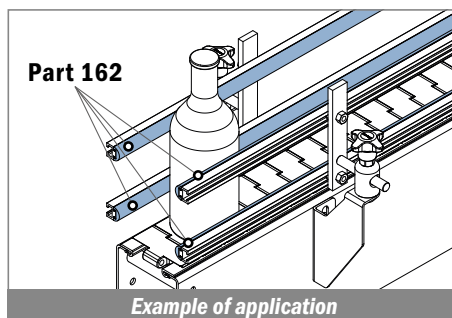
Delivery: **Easy** **Standard** Coils available



Used with  
**Part 164/165**  
Pag 380



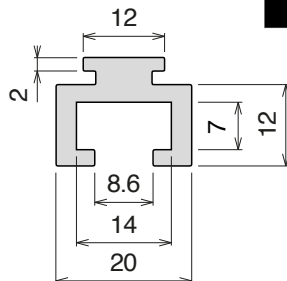
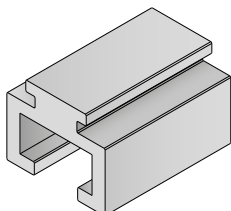
Article-Nr.	Material	Availability	Supply
<b>16202BC</b>	<b>BluLub</b>	Stock item	3 m bars
<b>16202B</b>	<b>BluLub</b>	On request	6 m bars
<b>16202B-30</b>	<b>BluLub</b>	Stock item	30 m coils
<b>16203C</b>	<b>Ti-White</b>	Stock item	3 m bars
<b>16203</b>	<b>Ti-White</b>	On request	6 m bars
<b>16203-30</b>	<b>Ti-White</b>	Stock item	30 m coils
<b>16205C</b>	Blue	On request	3 m bars
<b>16205</b>	Blue	On request	6 m bars
<b>16205-30</b>	Blue	On request	30 m coils
<b>16202C</b>	Green	Stock item	3 m bars
<b>16202</b>	Green	On request	6 m bars
<b>16202-30</b>	Green	Stock item	30 m coils



## 164 Guida in alluminio / Aluminum guide / Aluminium profil

Delivery: **Easy** **Standard**

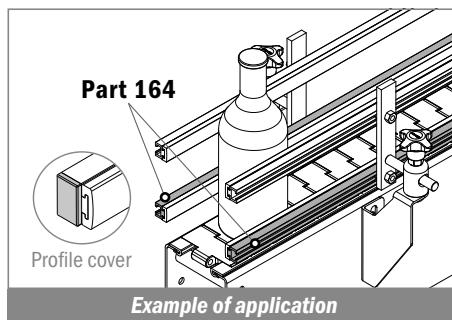
**NEW**



Used with  
**Part 362** Pag 493  
and **Part 1097** Pag 510



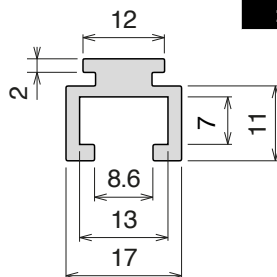
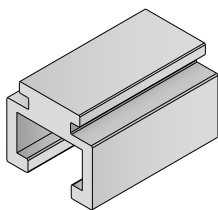
Article-Nr.	Material	Availability	Supply	Profile cover	Box
<b>16401C</b>	Aluminum	Stock item	3 m bars	<b>301403</b>	60 pcs
<b>16401</b>	Aluminum	Stock item	6 m bars	<b>301403</b>	60 pcs



## 165 Guida in alluminio / Aluminum guide / Aluminium profil

Delivery: **Easy** **Standard**

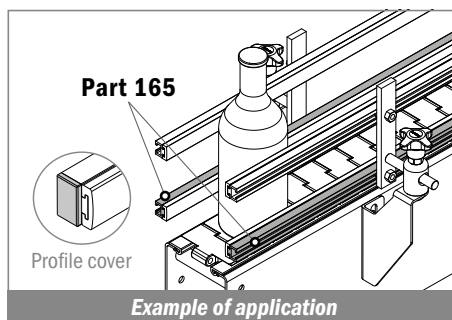
**NEW**



Used with  
**Part 362** Pag 493  
and **Part 1097** Pag 510



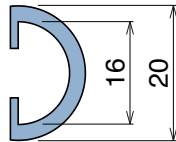
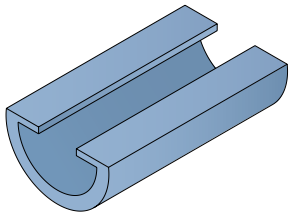
Article-Nr.	Material	Availability	Supply	Profile cover	Box
<b>16501C</b>	Aluminum	Stock item	3 m bars	<b>301404</b>	60 pcs
<b>16501</b>	Aluminum	Stock item	6 m bars	<b>301404</b>	60 pcs



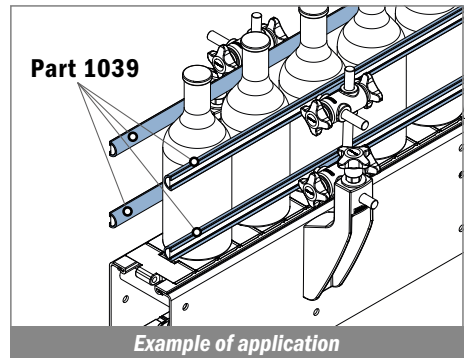
## 1039

### Profilo per mezzitondi / Half round profile for steel rods / Halbmond Profil

Delivery: **Easy** **Standard**



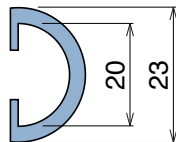
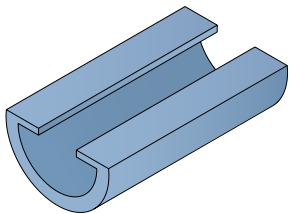
Article-Nr.	Material	Availability	Supply
103923BC	<b>BluLub</b>	On request	3 m bars
103923B	<b>BluLub</b>	On request	6 m bars
103923B-30	<b>BluLub</b>	Stock item	30 m coils
103923B-60	<b>BluLub</b>	On request	60 m coils
103923C	<b>Ti-White</b>	Stock item	3 m bars
103923	<b>Ti-White</b>	On request	6 m bars
103923-30	<b>Ti-White</b>	Stock item	30 m coils
103923-60	<b>Ti-White</b>	Stock item	60 m coils
103925C	Blue	On request	3 m bars
103925	Blue	On request	6 m bars
103925-30	Blue	On request	30 m coils
103925-60	Blue	On request	60 m coils



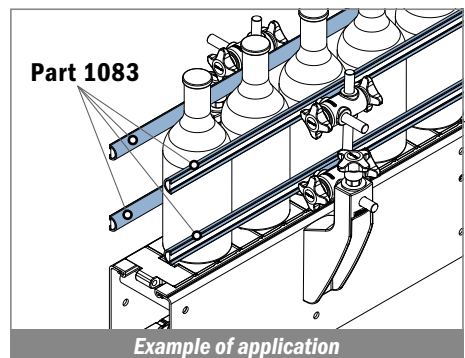
NEW

## 1083

### Profilo per mezzitondi / Half round profile for steel rods / Halbmond Profil

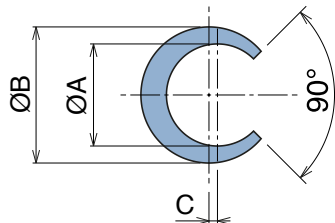
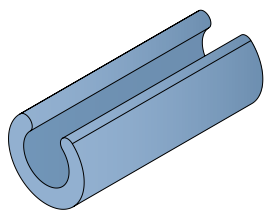


Article-Nr.	Material	Availability	Supply
108300BC	<b>BluLub</b>	On request	3 m bars
108300B	<b>BluLub</b>	On request	6 m bars
108300B-30	<b>BluLub</b>	On request	30 m coils
108300B-60	<b>BluLub</b>	On request	60 m coils
108303C	<b>Ti-White</b>	On request	3 m bars
108303	<b>Ti-White</b>	On request	6 m bars
108303-30	<b>Ti-White</b>	On request	30 m coils
108303-60	<b>Ti-White</b>	On request	60 m coils
108305C	Blue	On request	3 m bars
108305	Blue	On request	6 m bars
108305-30	Blue	On request	30 m coils
108305-60	Blue	On request	60 m coils

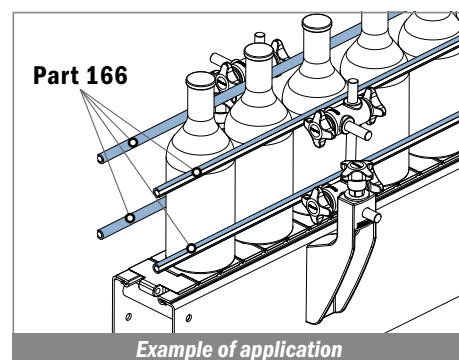


## 166 Profilo per tondini / Round profile for steel rods / Halbmond Profil

Delivery: **Easy** **Standard** Coils available

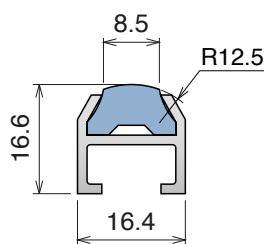
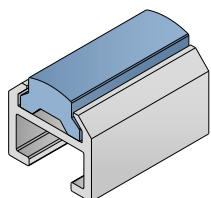


Article-Nr.	A	B	C	Material	Availability	Supply
<b>16601B</b>	8	12	0.5	<b>BluLub</b>	Stock item	30 m coils
<b>16602B</b>	10	14	0.5	<b>BluLub</b>	On request	30 m coils
<b>16603B</b>	12	16	1	<b>BluLub</b>	On request	30 m coils
<b>16604B</b>	16	20	1.5	<b>BluLub</b>	On request	30 m coils
<b>16601</b>	8	12	0.5	<b>Ti-White</b>	Stock item	30 m coils
<b>16602</b>	10	14	0.5	<b>Ti-White</b>	Stock item	30 m coils
<b>16603</b>	12	16	1	<b>Ti-White</b>	Stock item	30 m coils
<b>16604</b>	16	20	1.5	<b>Ti-White</b>	Stock item	30 m coils
<b>16601BL</b>	8	12	0.5	Blue	On request	30 m coils
<b>16602BL</b>	10	14	0.5	Blue	On request	30 m coils
<b>16603BL</b>	12	16	1	Blue	On request	30 m coils
<b>16604BL</b>	16	20	1.5	Blue	On request	30 m coils



## 154 Guida laterale / Side guide rail / Seitenführungen

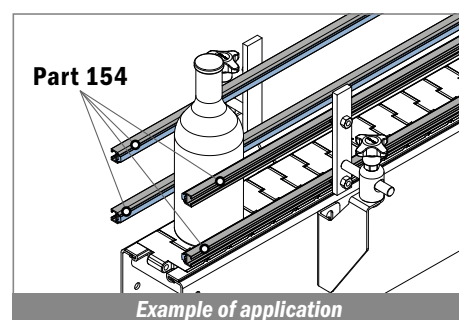
Delivery: **Easy** **Standard** Metal profile: Aluminium



Article-Nr.	Material	Availability	Supply
<b>15401BC</b>	<b>BluLub</b>	Stock item	3 m bars
<b>15401B</b>	<b>BluLub</b>	On request	6 m bars
<b>15401C</b>	<b>Ti-White</b>	On request	3 m bars
<b>15401</b>	<b>Ti-White</b>	On request	6 m bars
<b>15405C</b>	Blue	On request	3 m bars
<b>15405</b>	Blue	On request	6 m bars
<b>15402C</b>	Green	On request	3 m bars
<b>15402</b>	Green	On request	6 m bars

Only plastic profile

Article-Nr.	Material	Availability	Supply
<b>15451B-30</b>	<b>BluLub</b>	On request	30 m coils
<b>15451-30</b>	<b>Ti-White</b>	On request	30 m coils
<b>15455-30</b>	Blue	On request	30 m coils
<b>15452-30</b>	Green	On request	30 m coils

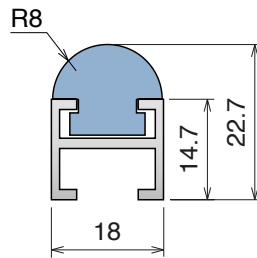
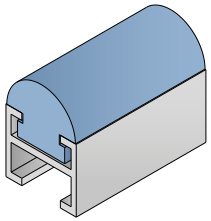


Used with  
Hex head bolt



## 155 Guida laterale / Side guide rail / Seitenführungen

Delivery: **Easy** **Standard** Metal profile: Aluminium



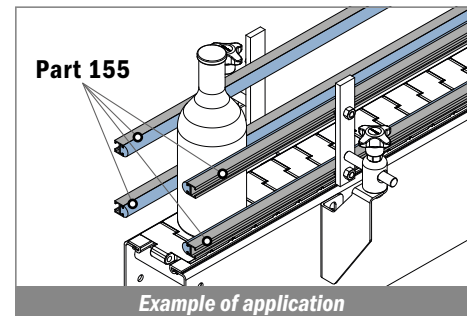
Used with  
**Part 362** Pag 493  
and **Part 1097** Pag 510



Article-Nr.	Material	Availability	Supply
<b>15500BC</b>	<i>BluLub</i>	On request	3 m bars
<b>15503C</b>	<i>Ti-White</i>	On request	3 m bars
<b>15505C</b>	Blue	On request	3 m bars
<b>15501C</b>	Green	On request	3 m bars

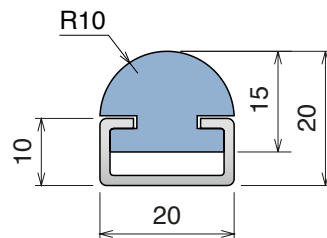
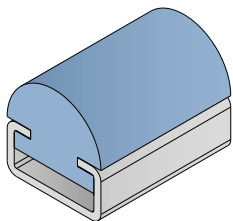
### Only plastic profile

Article-Nr.	Material	Availability	Supply
<b>15550B-30</b>	<i>BluLub</i>	On request	30 m coils
<b>15553-30</b>	<i>Ti-White</i>	On request	30 m coils
<b>15555-30</b>	Blue	On request	30 m coils
<b>15551-30</b>	Green	On request	30 m coils



## 134 Guida laterale / Side guide rail / Seitenführungen

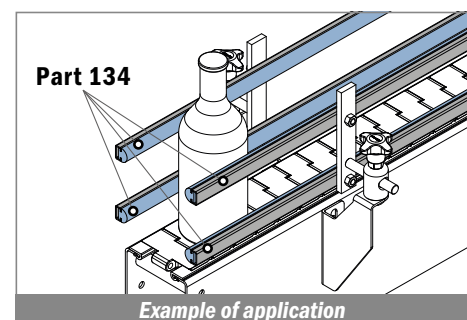
Delivery: **Easy** **Standard** Metal profile: Stainless steel AISI 304



Article-Nr.	Material	Availability	Supply
<b>13400BC</b>	<i>BluLub</i>	On request	3 m bars
<b>13400B</b>	<i>BluLub</i>	On request	6 m bars
<b>13403C</b>	<i>Ti-White</i>	On request	3 m bars
<b>13403</b>	<i>Ti-White</i>	On request	6 m bars
<b>13405C</b>	Blue	On request	3 m bars
<b>13405</b>	Blue	On request	6 m bars
<b>13401C</b>	Green	Stock item	3 m bars
<b>13401</b>	Green	On request	6 m bars

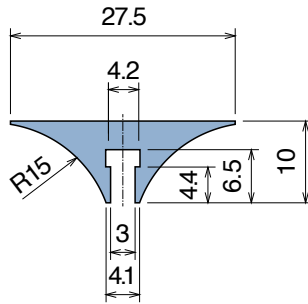
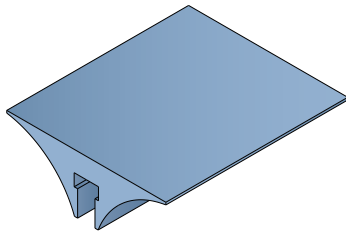
### Only plastic profile

Article-Nr.	Material	Availability	Supply
<b>13450B-30</b>	<i>BluLub</i>	On request	30 m coils
<b>13453-30</b>	<i>Ti-White</i>	On request	30 m coils
<b>13455-30</b>	Blue	On request	30 m coils
<b>13451-30</b>	Green	On request	30 m coils

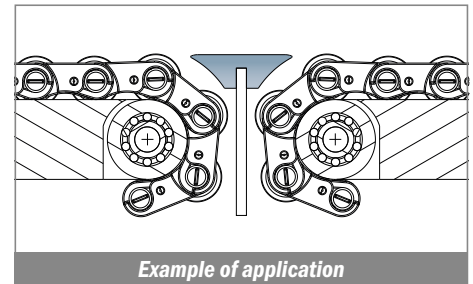


## 199 Piastra di trasferimento / Transfer plate / Überschubprofil

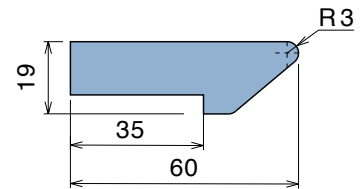
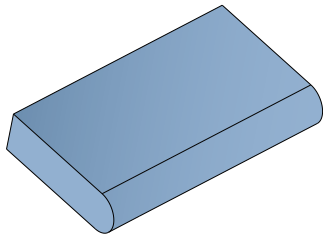
Delivery: **Easy** **Standard** Fit on 3 mm



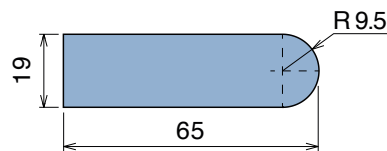
Article-Nr.	Material	Availability	Supply
19960B	BluLub	Stock item	1,5 m bars
19960	Black	Stock item	1,5 m bars



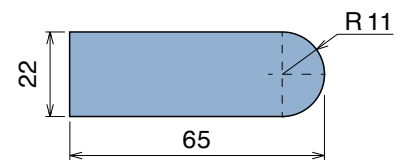
## 238-228-235 NoseBar / NoseBar / NoseBar



Article-Nr.	Material	Availability	Supply
2381500	BluLub	On request	1,5 m bars



Article-Nr.	Material	Availability	Supply
2281500	BluLub	On request	1,5 m bars



Article-Nr.	Material	Availability	Supply
2351500	BluLub	On request	1,5 m bars

**NoseBars Standard**



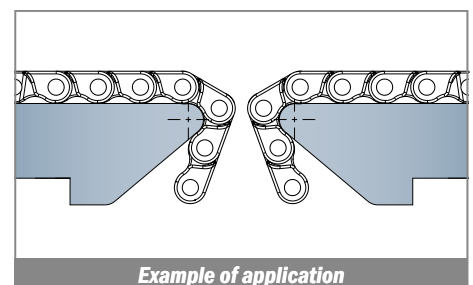
**NoseBars with Bearings**



**NoseBars with Rollers**



Machined to width NoseBars are available in the section Modular belts. Find more details at Pag 272

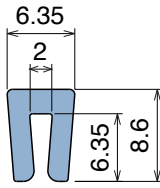
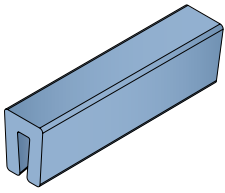




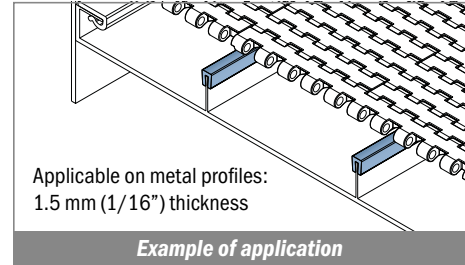
## 1000

### Copri profilo / Bar cap / Abdeckprofil

Delivery: **Easy** **Standard** Fit on 1.5 mm (1/16")



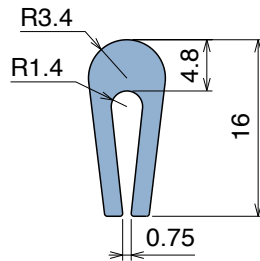
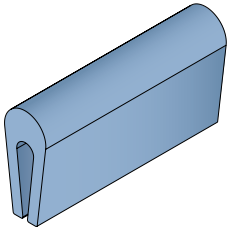
Article-Nr.	Material	Availability	Supply
<b>100000B-30</b>	<b>BluLub</b>	On request	30 m coils
<b>100003-30</b>	<b>Ti-White</b>	Stock item	30 m coils
<b>100005-30</b>	Blue	On request	30 m coils



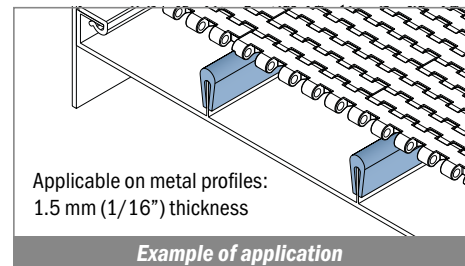
## 1001

### Copri profilo / Bar cap / Abdeckprofil

Delivery: **Easy** **Standard** Fit on 1.5 mm (1/16")



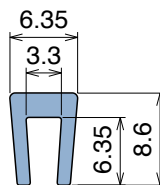
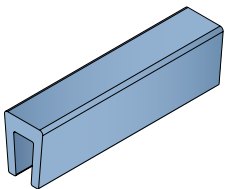
Article-Nr.	Material	Availability	Supply
<b>100103B-30</b>	<b>BluLub</b>	Stock item	30 m coils
<b>100103-30</b>	<b>Ti-White</b>	Stock item	30 m coils
<b>100105-30</b>	Blue	On request	30 m coils



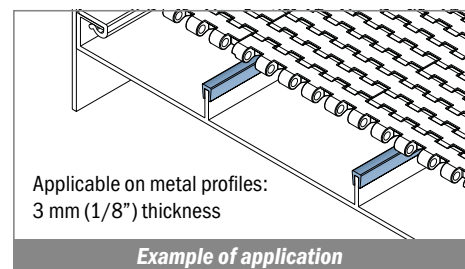
## 1002

### Copri profilo / Bar cap / Abdeckprofil

Delivery: **Easy** **Standard** Fit on 3 mm (1/8")



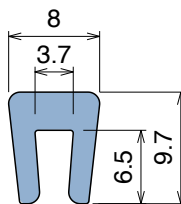
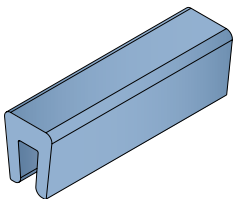
Article-Nr.	Material	Availability	Supply
<b>100200B-30</b>	<b>BluLub</b>	Stock item	30 m coils
<b>100203-30</b>	<b>Ti-White</b>	Stock item	30 m coils
<b>100205-30</b>	Blue	On request	30 m coils



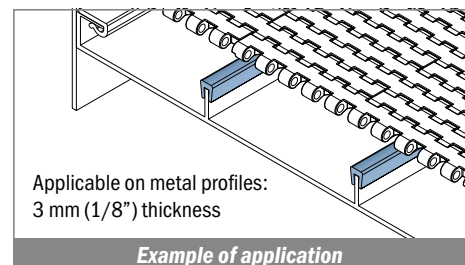
## 1003

### Copri profilo / Bar cap / Abdeckprofil

Delivery: **Easy** **Standard** Fit on 3 mm (1/8")



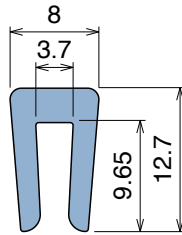
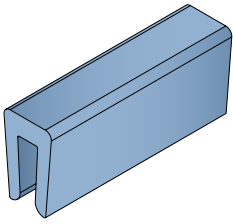
Article-Nr.	Material	Availability	Supply
<b>100300B-30</b>	<b>BluLub</b>	Stock item	30 m coils
<b>100303-30</b>	<b>Ti-White</b>	Stock item	30 m coils
<b>100305-30</b>	Blue	On request	30 m coils



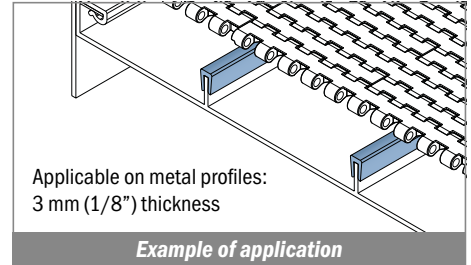
## 1004

### Copri profilo / Bar cap / Abdeckprofil

Delivery: **Easy** **Standard** Fit on 3 mm (1/8")



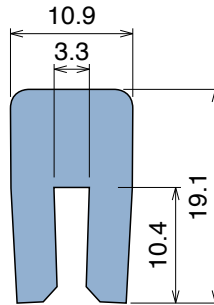
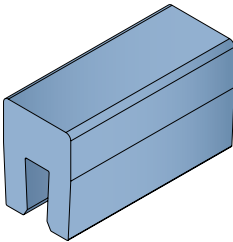
Article-Nr.	Material	Availability	Supply
<b>100400B-30</b>	<b>BluLub</b>	On request	30 m coils
<b>100403-30</b>	<b>Ti-White</b>	Stock item	30 m coils
<b>100405-30</b>	Blue	On request	30 m coils



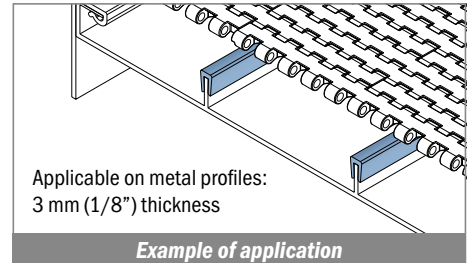
## NEW 1084

### Copri profilo / Bar cap / Abdeckprofil

Fit on 3 mm (1/8")



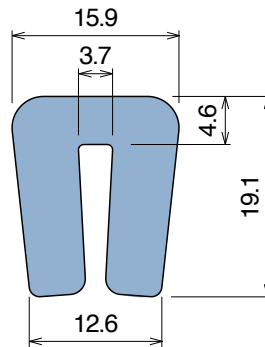
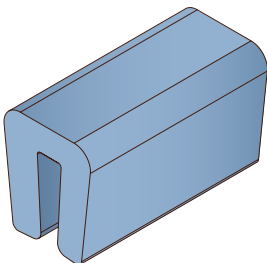
Article-Nr.	Material	Availability	Supply
<b>108400BC</b>	<b>BluLub</b>	On request	3 m bars
<b>108400B</b>	<b>BluLub</b>	On request	6 m bars
<b>108400B-30</b>	<b>BluLub</b>	On request	30 m coils
<b>108403C</b>	<b>Ti-White</b>	On request	3 m bars
<b>108403</b>	<b>Ti-White</b>	On request	6 m bars
<b>108403-30</b>	<b>Ti-White</b>	On request	30 m coils
<b>108405C</b>	Blue	On request	3 m bars
<b>108405</b>	Blue	On request	6 m bars
<b>108405-30</b>	Blue	On request	30 m coils



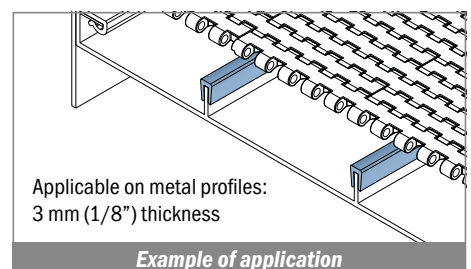
## NEW 1085

### Copri profilo / Bar cap / Abdeckprofil

Fit on 3 mm (1/8")



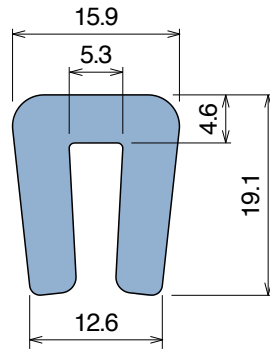
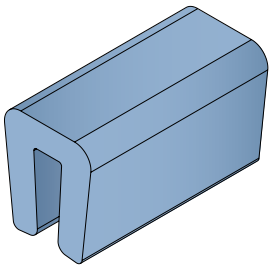
Article-Nr.	Material	Availability	Supply
<b>108500BC</b>	<b>BluLub</b>	On request	3 m bars
<b>108500B</b>	<b>BluLub</b>	On request	6 m bars
<b>108500B-30</b>	<b>BluLub</b>	On request	30 m coils
<b>108503C</b>	<b>Ti-White</b>	On request	3 m bars
<b>108503</b>	<b>Ti-White</b>	On request	6 m bars
<b>108503-30</b>	<b>Ti-White</b>	On request	30 m coils
<b>108505C</b>	Blue	On request	3 m bars
<b>108505</b>	Blue	On request	6 m bars
<b>108505-30</b>	Blue	On request	30 m coils



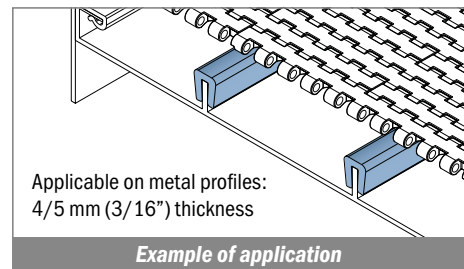
## 153

### Copri profilo / Bar cap / Abdeckprofil

Delivery: **Easy** **Standard** Fit on 4/5 mm (3/16")



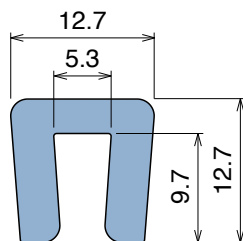
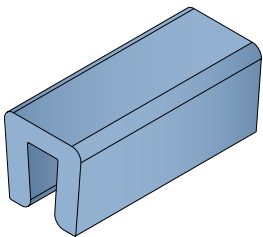
Article-Nr.	Material	Availability	Supply
15300C	BluLub	Stock item	3 m bars
15300	BluLub	On request	6 m bars
15300-30	BluLub	Stock item	30 m coils
15303C	Ti-White	Stock item	3 m bars
15303	Ti-White	On request	6 m bars
15303-30	Ti-White	Stock item	30 m coils
15305C	Blue	On request	3 m bars
15305	Blue	On request	6 m bars
15305-30	Blue	On request	30 m coils
15302C	Green	Stock item	3 m bars
15302	Green	On request	6 m bars
15302-30	Green	On request	30 m coils



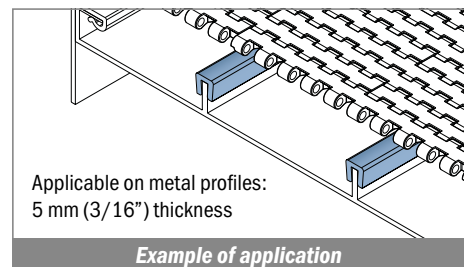
## 1006

### Copri profilo / Bar cap / Abdeckprofil

Delivery: **Easy** **Standard** Fit on 5 mm (3/16")



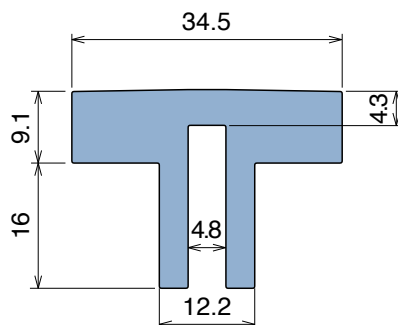
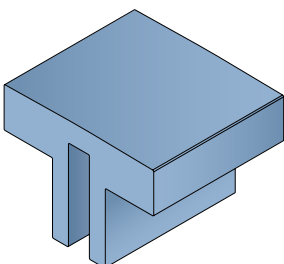
Article-Nr.	Material	Availability	Supply
100600B-30	BluLub	On request	30 m coils
100603-30	Ti-White	Stock item	30 m coils
100605-30	Blue	On request	30 m coils



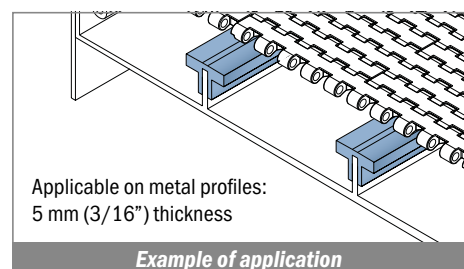
## 1007

### Copri profilo / Bar cap / Abdeckprofil

Delivery: **Easy** **Standard** Fit on 5 mm (3/16")



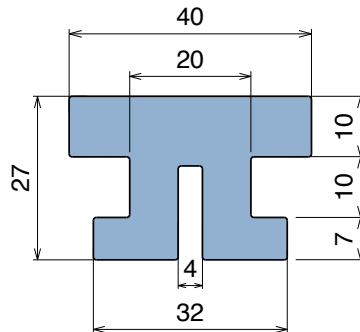
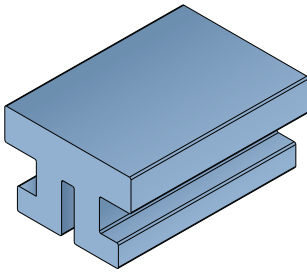
Article-Nr.	Material	Availability	Supply
100703BC	BluLub	Stock item	3 m bars
100703B	BluLub	On request	6 m bars
100703C	Ti-White	Stock item	3 m bars
100703	Ti-White	On request	6 m bars
100705C	Blue	On request	3 m bars
100705	Blue	On request	6 m bars



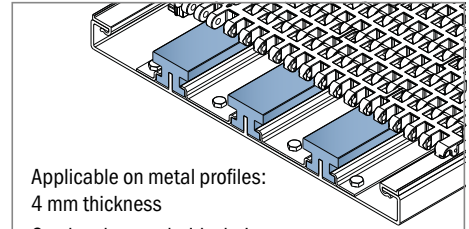
## NEW 1095

### Copri profilo / Bar cap / Abdeckprofil

Fit on 4 mm



Article-Nr.	Material	Availability	Supply
109504C	BluLub	On request	3 m bars
109503C	Ti-White	On request	3 m bars
109501C	Blue	On request	3 m bars



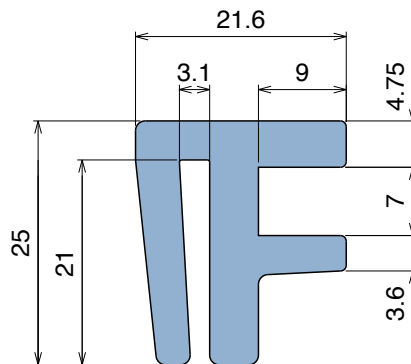
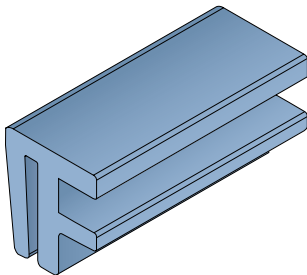
Applicable on metal profiles:  
4 mm thickness  
Can be also used with chains.

Example of application

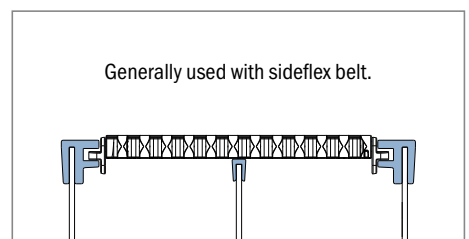
## 1040

### Copri profilo / Bar cap / Abdeckprofil

Delivery: **Easy** **Standard** Fit on 3 mm (1/8")



Article-Nr.	Material	Availability	Supply
104000BC	BluLub	On request	3 m bars
104000B	BluLub	On request	6 m bars
104003C	Ti-White	Stock item	3 m bars
104003	Ti-White	On request	6 m bars
104005C	Blue	On request	3 m bars
104005	Blue	On request	6 m bars



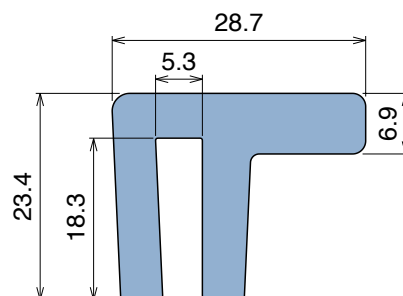
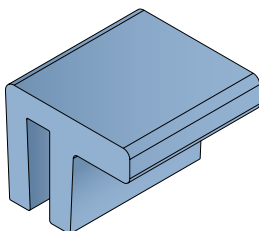
Generally used with sideflex belt.

Example of application

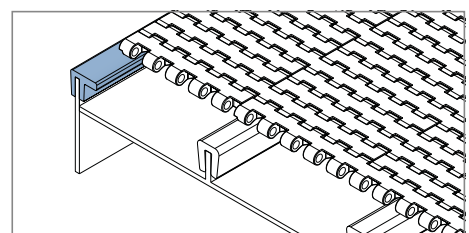
## 1008

### Copri profilo / Bar cap / Abdeckprofil

Delivery: **Easy** **Standard** Fit on 5 mm (3/16")



Article-Nr.	Material	Availability	Supply
100803BC	BluLub	Stock item	3 m bars
100803B	BluLub	On request	6 m bars
100803C	Ti-White	Stock item	3 m bars
100803	Ti-White	Stock item	6 m bars
100805C	Blue	On request	3 m bars
100805	Blue	On request	6 m bars



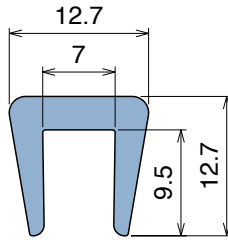
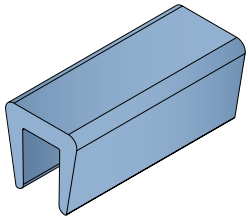
Applicable on metal profiles:  
5 mm (3/16") thickness

Example of application

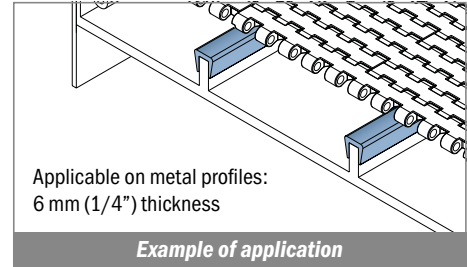
## 1009

### Copri profilo / Bar cap / Abdeckprofil

Delivery: **Easy** **Standard** Fit on 6 mm (1/4")



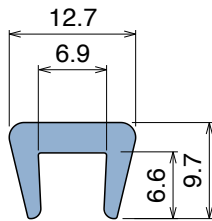
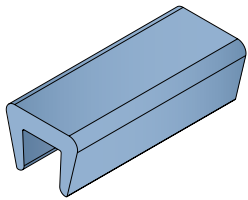
Article-Nr.	Material	Availability	Supply
100900B-30	BluLub	On request	30 m coils
100903-30	Ti-White	Stock item	30 m coils
100905-30	Blue	On request	30 m coils



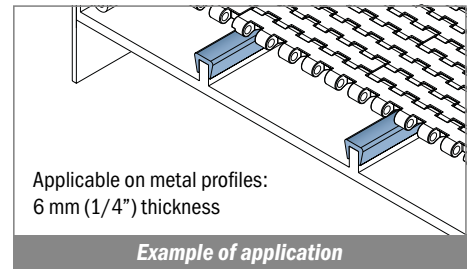
## 1010

### Copri profilo / Bar cap / Abdeckprofil

Delivery: **Easy** **Standard** Fit on 6 mm (1/4")



Article-Nr.	Material	Availability	Supply
101000B-30	BluLub	On request	30 m coils
101003-30	Ti-White	Stock item	30 m coils
101005-30	Blue	On request	30 m coils

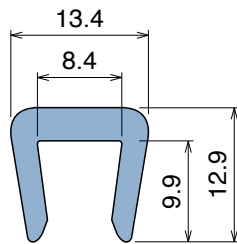
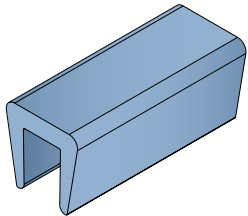


NEW

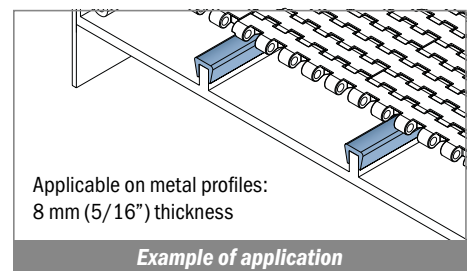
## 1086

### Copri profilo / Bar cap / Abdeckprofil

Fit on 8 mm (5/16")



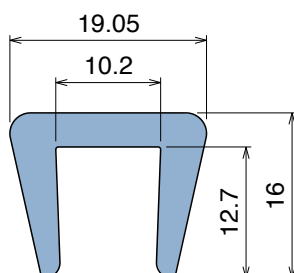
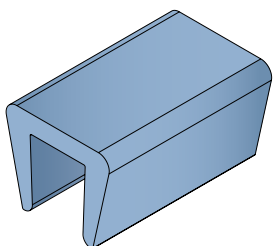
Article-Nr.	Material	Availability	Supply
108600B-30	BluLub	On request	30 m coils
108603-30	Ti-White	On request	30 m coils
108605-30	Blue	On request	30 m coils



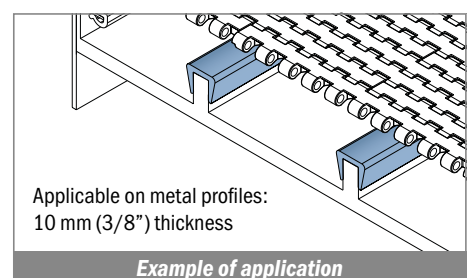
## 1011

### Copri profilo / Bar cap / Abdeckprofil

Fit on 10 mm (3/8")

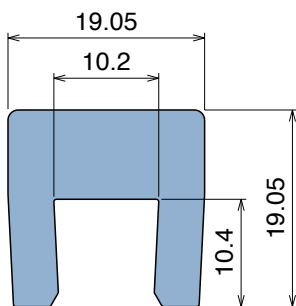
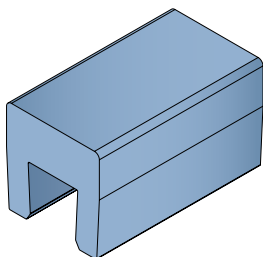


Article-Nr.	Material	Availability	Supply
101100B-30	BluLub	On request	30 m coils
101103-30	Ti-White	On request	30 m coils
101105-30	Blue	On request	30 m coils

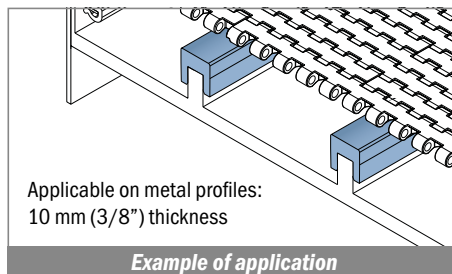


## 1013 Copri profilo / Bar cap / Abdeckprofil

Fit on 10 mm (3/8")

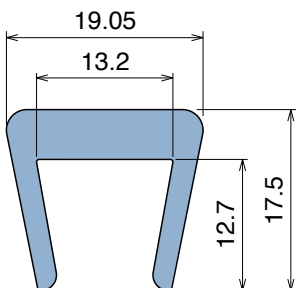
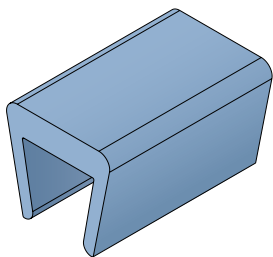


Article-Nr.	Material	Availability	Supply
101300BC	BluLub	On request	3 m bars
101300B	BluLub	On request	6 m bars
101303C	Ti-White	On request	3 m bars
101303	Ti-White	On request	6 m bars
101305C	Blue	On request	3 m bars
101305	Blue	On request	6 m bars

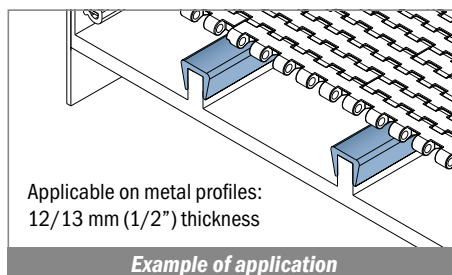


## 1012 Copri profilo / Bar cap / Abdeckprofil

Delivery: **Easy** **Standard** Fit on 12/13 mm (1/2")

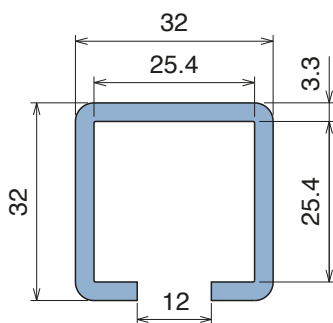
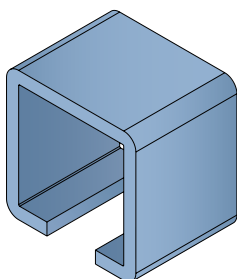


Article-Nr.	Material	Availability	Supply
101200B-30	BluLub	On request	30 m coils
101203-30	Ti-White	Stock item	30 m coils
101205-30	Blue	On request	30 m coils

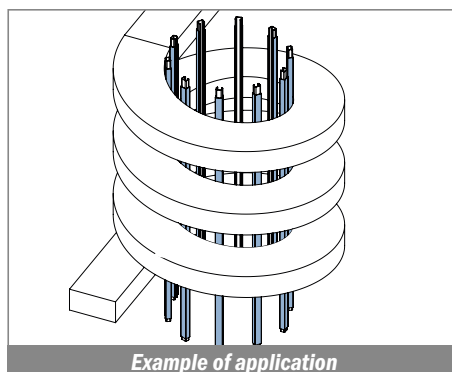


## 181 Copri profilo / Bar cover / Abdeckprofil

Delivery: **Easy** **Standard** Fit on 25.4 x 25.4 mm (1" x 1")

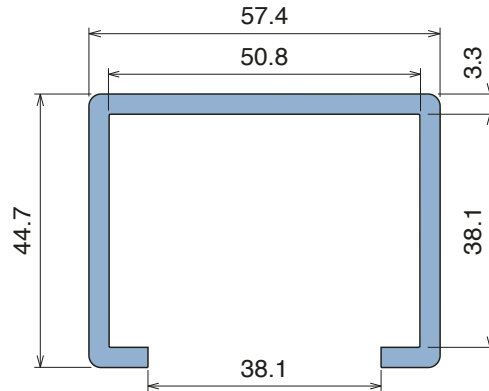
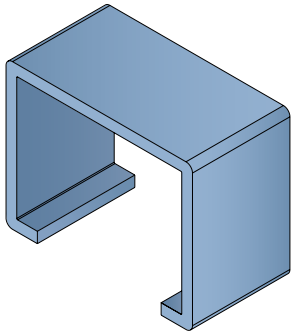


Article-Nr.	Material	Availability	Supply
18100BC	BluLub	On request	3 m bars
18100B	BluLub	On request	6 m bars
18103C	Ti-White	Stock item	3 m bars
18103	Ti-White	On request	6 m bars
18105C	Blue	On request	3 m bars
18105	Blue	On request	6 m bars

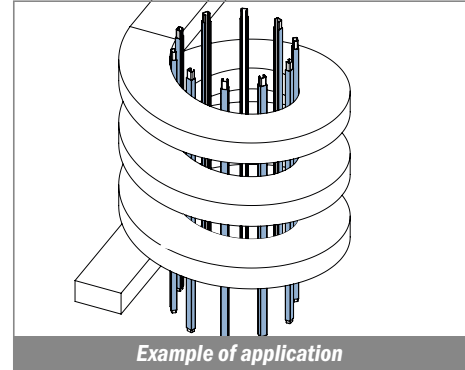


## 1052 Copri profilo / Bar cover / Abdeckprofil

Delivery: **Easy** **Standard** Fit on 38.1 x 50.8 mm (1-1/2"x2")

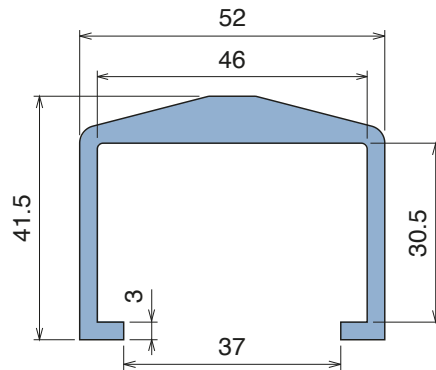
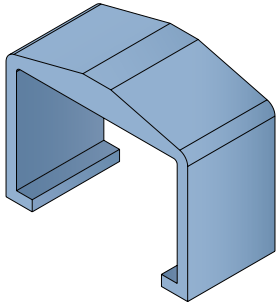


Article-Nr.	Material	Availability	Supply
105200BC	<b>BluLub</b>	On request	3 m bars
105200B	<b>BluLub</b>	On request	6 m bars
105203C	<b>Ti-White</b>	Stock item	3 m bars
105203	<b>Ti-White</b>	On request	6 m bars
105205C	Blue	On request	3 m bars
105205	Blue	On request	6 m bars

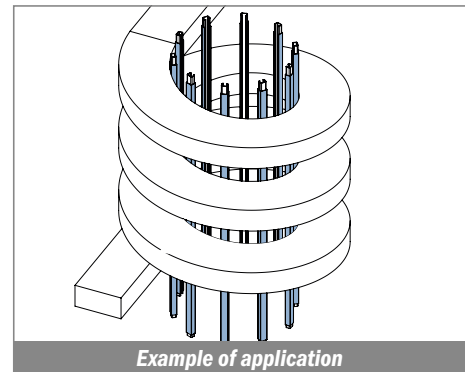


## 180 Copri profilo / Bar cover / Abdeckprofil

Fit on 30.5 x 46 mm

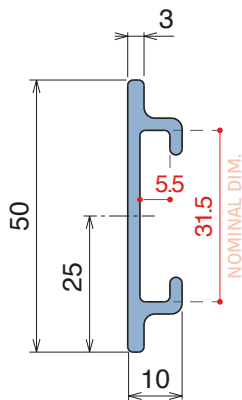
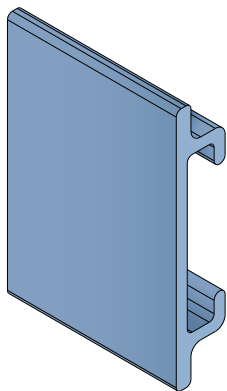


Article-Nr.	Material	Availability	Supply
18000BC	<b>BluLub</b>	On request	3 m bars
18000B	<b>BluLub</b>	On request	6 m bars
18003C	<b>Ti-White</b>	On request	3 m bars
18003	<b>Ti-White</b>	On request	6 m bars
18005C	Blue	On request	3 m bars
18005	Blue	On request	6 m bars



## 1063 Guida laterale / Side guide / Seitenführung

Delivery: **Easy** **Standard** Fit on 30 x 4 mm



Article-Nr.	Material	Availability	Supply
106300BC	BluLub	On request	3 m bars
106301C	Black	Stock item	3 m bars
106302C	Green	Stock item	3 m bars

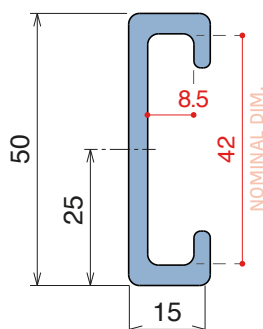
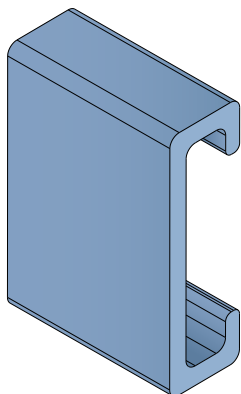
**Plate**  
30 x 4 mm



Option of application - Plate

## 137 Guida laterale / Side guide / Seitenführung

Delivery: **Easy** **Standard** Fit on 40 x 8 mm



Article-Nr.	Material	Availability	Supply
13701BC	BluLub	Stock item	3 m bars
13701B	BluLub	On request	6 m bars
13703C	Ti-White	Stock item	3 m bars
13703	Ti-White	On request	6 m bars
13702C	Black	Stock item	3 m bars
13702	Black	On request	6 m bars
13705C	Blue	On request	3 m bars
13705	Blue	On request	6 m bars
13701C	Green	Stock item	3 m bars
13701	Green	Stock item	6 m bars

**Plate**  
40 x 8 mm



Option of application - Plate

**Part 117**  
Pag 410



Option of application - M-Profile

**Part 1055**  
Pag 410

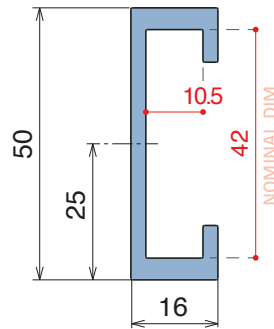
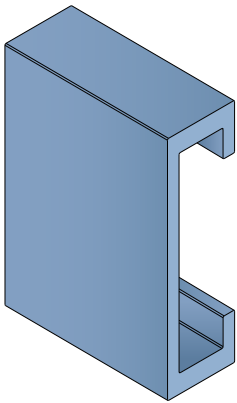


Option of application - Guide



## 137 Guida laterale / Side guide / Seitenführung

Delivery: **Easy** **Standard** Fit on 40 x 10 mm



Article-Nr.	Material	Availability	Supply
13711BC	BluLub	Stock item	3 m bars
13711B	BluLub	On request	6 m bars
13713C	Ti-White	On request	3 m bars
13713	Ti-White	On request	6 m bars
13712C	Black	On request	3 m bars
13712	Black	On request	6 m bars
13715C	Blue	On request	3 m bars
13715	Blue	On request	6 m bars
13711C	Green	Stock item	3 m bars
13711	Green	Stock item	6 m bars

**Plate**  
40 x 10 mm



Option of application - Plate

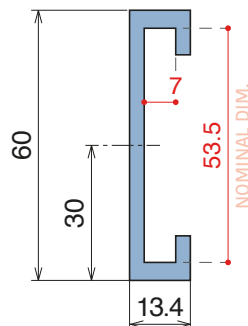
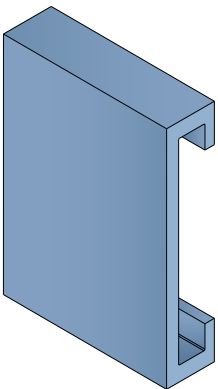
**Part 117**  
Pag 410



Option of application - M-Profile

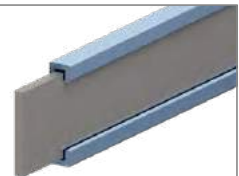
## 158 Guida laterale / Side guide / Seitenführung

Delivery: **Easy** **Standard** Fit on 50 x 6 mm



Article-Nr.	Material	Availability	Supply
15800BC	BluLub	Stock item	3 m bars
15894C	Ti-White	On request	3 m bars
15898C	Black	Stock item	3 m bars
15894BLC	Blue	On request	3 m bars
15897C	Green	Stock item	3 m bars
15800C	Grey	Stock item	3 m bars

**Plate**  
50 x 6 mm



Option of application - Plate

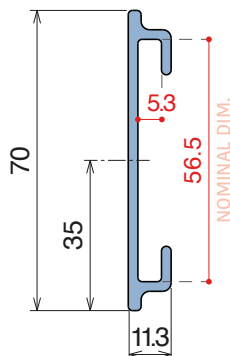
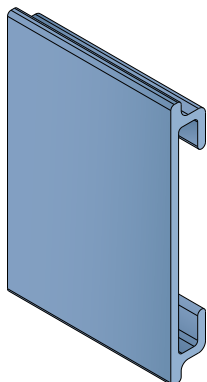
**Part 159**  
Pag 410



Option of application - Guide

## 1064 Guida laterale / Side guide / Seitenführung

Delivery: **Easy** **Standard** Fit on 55 x 4 mm



Article-Nr.	Material	Availability	Supply
106400BC	BluLub	On request	3 m bars
106403C	Ti-White	On request	3 m bars
106401C	Black	Stock item	3 m bars
106405C	Blue	On request	3 m bars

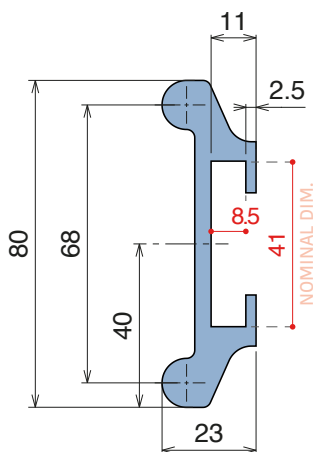
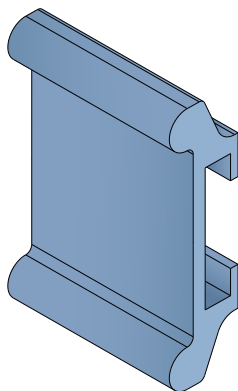
**Plate**  
55 x 4 mm



Option of application - Plate

## 183 Guida laterale / Side guide / Seitenführung

Delivery: **Easy** **Standard** Fit on 40 x 8 mm



Article-Nr.	Material	Availability	Supply
18301BC	BluLub	Stock item	3 m bars
18301C	Black	Stock item	3 m bars
18305C	Blue	On request	3 m bars
18397C	Green	Stock item	3 m bars

**Plate**  
40 x 8 mm



Option of application - Plate

**Part 117**  
Pag 410



Option of application - M-Profile

**Part 1055**  
Pag 410



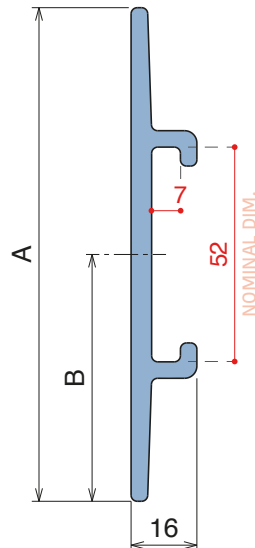
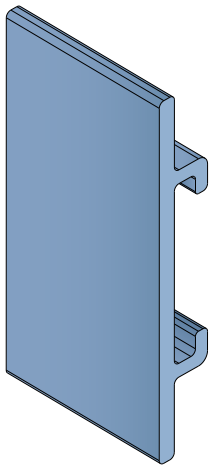
Option of application - Guide

NEW

## 158

### Guida laterale / Side guide / Seitenführung

Delivery: **Easy** **Standard** Fit on 50 x 6 mm



Article-Nr.	A	B	Material	Availability	Supply
15801BC	90	45	BluLub	Stock item	3 m bars
15802BC	100	50	BluLub	Stock item	3 m bars
15803BC	120	60	BluLub	Stock item	3 m bars
15804BC	140	70	BluLub	On request	3 m bars
15831C	90	45	Ti-White	On request	3 m bars
15832C	100	50	Ti-White	On request	3 m bars
15833C	120	60	Ti-White	On request	3 m bars
15834C	140	70	Ti-White	On request	3 m bars
15801BLC	90	45	Blue	On request	3 m bars
15802BLC	100	50	Blue	On request	3 m bars
15803BLC	120	60	Blue	On request	3 m bars
15804BLC	140	70	Blue	On request	3 m bars
15801C	90	45	Grey	Stock item	3 m bars
15802C	100	50	Grey	Stock item	3 m bars
15803C	120	60	Grey	Stock item	3 m bars
15804C	140	70	Grey	On request	3 m bars

**Plate**  
50 x 6 mm



Option of application - Plate

**Part 159**  
Pag 410



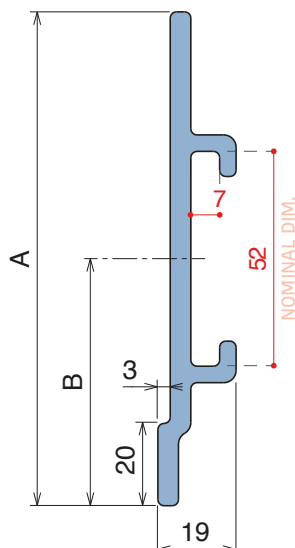
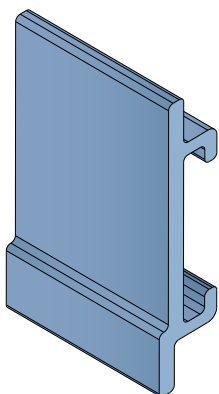
Option of application - Guide

NEW

## 194

### Guida laterale con salva etichetta / Side guide with lable saver / Seitenführung mit Etikettenschutz

Delivery: **Easy** **Standard** Fit on 50 x 6 mm



Article-Nr.	A	B	Material	Availability	Supply
19400BC	90	45	BluLub	Stock item	3 m bars
19403BC	120	60	BluLub	Stock item	3 m bars
19430C	90	45	Ti-White	On request	3 m bars
19433C	120	60	Ti-White	On request	3 m bars
19400BLC	90	45	Blue	On request	3 m bars
19403BLC	120	60	Blue	On request	3 m bars
19400C	90	45	Grey	On request	3 m bars
19403C	120	60	Grey	On request	3 m bars

**Plate**  
50 x 6 mm



Option of application - Plate

**Part 159**  
Pag 410

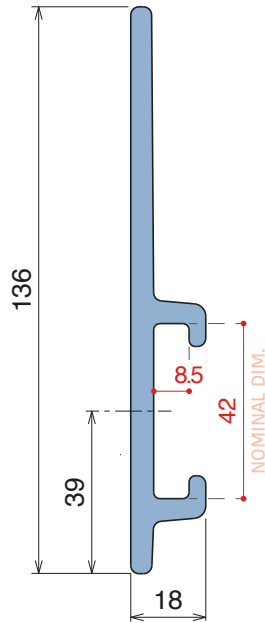
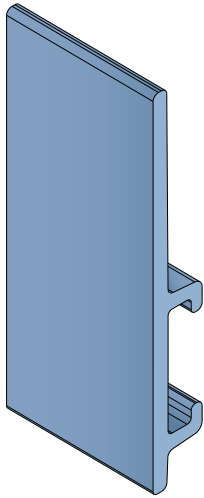


Option of application - Guide

## 189

### Guida laterale / Side guide / Seitenführung

Delivery: **Easy** **Standard** Fit on 40 x 8 mm



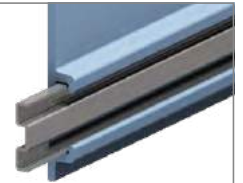
Article-Nr.	Material	Availability	Supply
<b>18912BC</b>	<b>BluLub</b>	Stock item	3 m bars
<b>18912BLC</b>	Blue	On request	3 m bars
<b>18916C</b>	Grey	On request	3 m bars

**Plate**  
40 x 8 mm



Option of application - Plate

**Part 117**  
Pag 410



Option of application - M-Profile

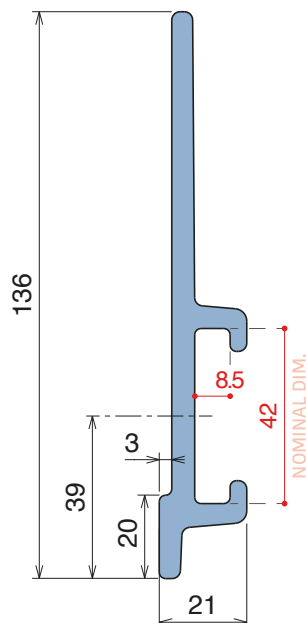
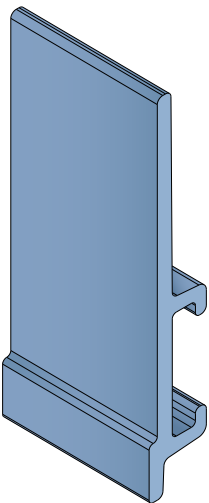
**Part 1055**  
Pag 410



Option of application - Guide

### Guida laterale con salva etichetta

Side guide with label saver / Seitenführung mit Etikettenschutz



Article-Nr.	Material	Availability	Supply
<b>18910BC</b>	<b>BluLub</b>	Stock item	3 m bars
<b>18910BLC</b>	Blue	On request	3 m bars
<b>18914C</b>	Grey	Stock item	3 m bars

**Plate**  
40 x 8 mm



Option of application - Plate

**Part 117**  
Pag 410



Option of application - M-Profile

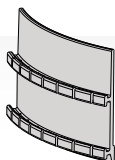
**Part 1055**  
Pag 410



Option of application - Guide

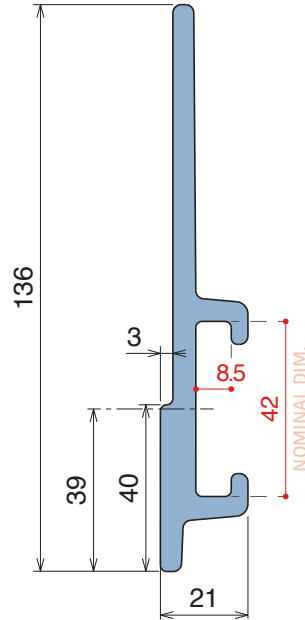
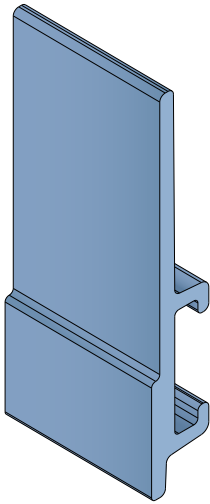
#### Easy Bendable

For the grooved version, just add "-S" to the related Article Nr.



## Guida laterale con salva etichetta

Side guide with lable saver / Seitenführung mit Etikettenschutz



Article-Nr.	Material	Availability	Supply
18911BC	BluLub	Stock item	3 m bars
18911BLC	Blue	On request	3 m bars
18915C	Grey	On request	3 m bars

**Plate**  
40 x 8 mm

Valid also for **RS** versions

Option of application - Plate

**Part 117**  
Pag 410

Valid also for **RS** versions

Option of application - M-Profile

**Part 1055**  
Pag 410

Valid also for **RS** versions

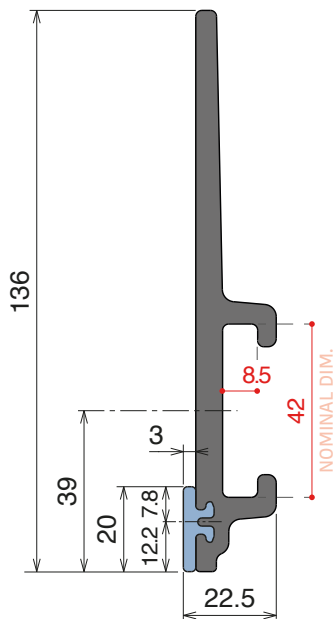
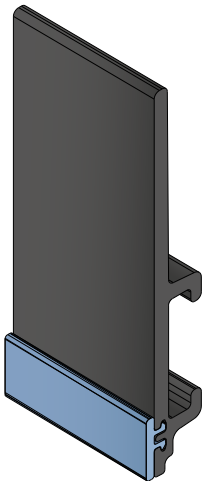
Option of application - Guide

## NEW 1079

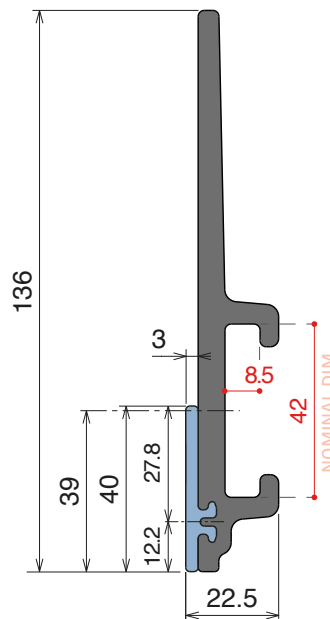
## RS Guida laterale con salva etichetta / Side guide with lable saver / Seitenführung mit Etikettenschutz

Delivery: **Easy** **Standard** Fit on 40 x 8 mm

Article-Nr.	Version	Material	Availability	Supply
107900	A	Black+ BluLub	On request	3 m bars
107901	B	Black+ BluLub	On request	3 m bars



VERSION A - Label saver 2 cm



VERSION B - Label saver 4 cm

**Base profile**

Art-Nr.	Supply
18980	3 m bars

**Label saver 2 cm**

Art-Nr.	Supply
18987	30 m coils

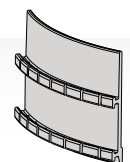
**Label saver 4 cm**

Art-Nr.	Supply
18988	30 m coils

Single components

### Easy Bendable

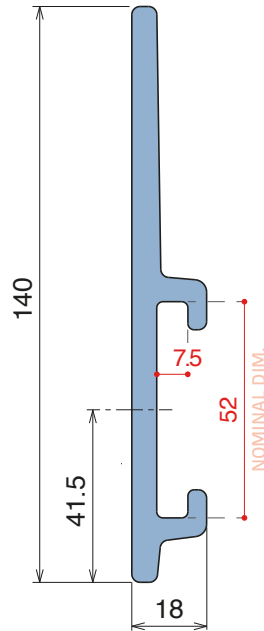
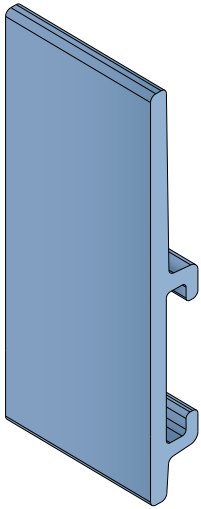
For the grooved version, just add "-S" to the related Article Nr.



## 189

### Guida laterale / Side guide / Seitenführung

Delivery: **Easy** **Standard** Fit on 50 x 6 mm



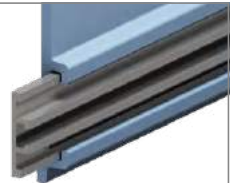
Article-Nr.	Material	Availability	Supply
18902BC	BluLub	Stock item	3 m bars
18902BLC	Blue	On request	3 m bars
18906C	Grey	On request	3 m bars

**Plate**  
50 x 6 mm



Option of application - Plate

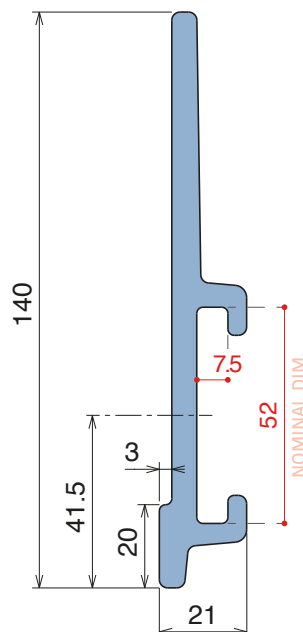
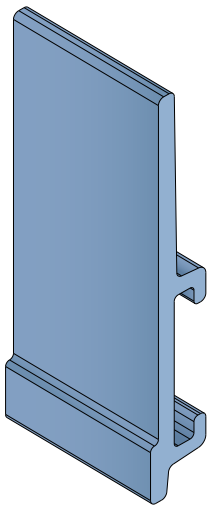
**Part 159**  
Pag 410



Option of application - Guide

### Guida laterale con salva etichetta

Side guide with label saver / Seitenführung mit Etikettenschutz



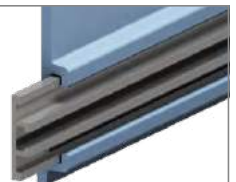
Article-Nr.	Material	Availability	Supply
18900BC	BluLub	Stock item	3 m bars
18900BLC	Blue	On request	3 m bars
18904C	Grey	Stock item	3 m bars

**Plate**  
50 x 6 mm



Option of application - Plate

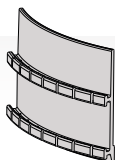
**Part 159**  
Pag 410



Option of application - Guide

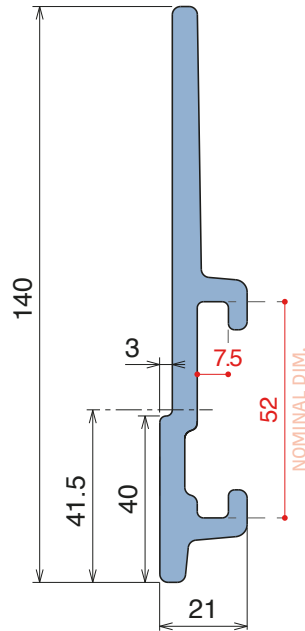
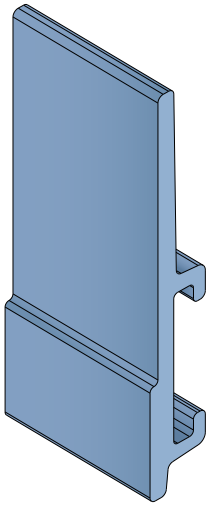
#### Easy Bendable

For the grooved version, just add "-S" to the related Article Nr.

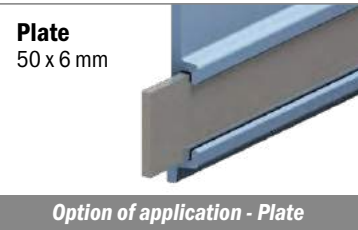


## Guida laterale con salva etichetta

Side guide with lable saver / Seitenführung mit Etikettenschutz



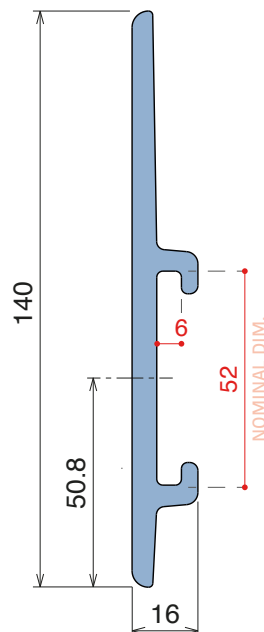
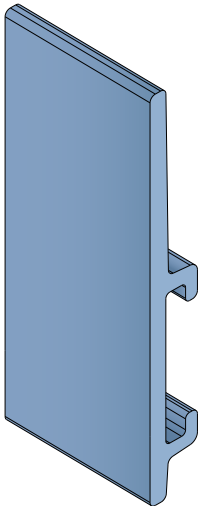
Article-Nr.	Material	Availability	Supply
18901BC	BluLub	Stock item	3 m bars
18901BLC	Blue	On request	3 m bars
18905C	Grey	On request	3 m bars



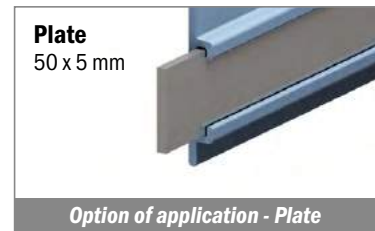
## NEW 1096

Guida laterale con salva etichetta / Side guide with lable saver / Seitenführung mit Etikettenschutz

Delivery: **Easy** **Standard** Fit on 50 x 5 mm

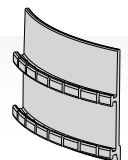


Article-Nr.	Material	Availability	Supply
109600BC	BluLub	Stock item	3 m bars
109600BLC	Blue	On request	3 m bars
109605C	Grey	On request	3 m bars



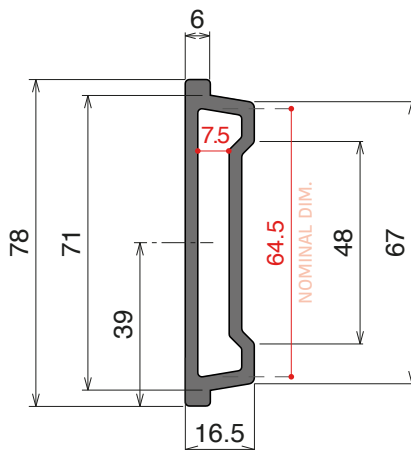
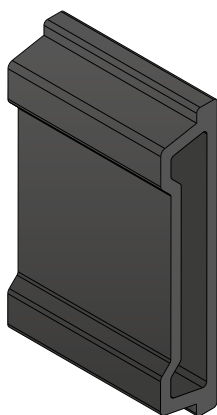
### Easy Bendable

For the grooved version, just add "-S" to the related Article Nr.



## 135 Guida laterale / Side guide / Seitenführung

Delivery: **Easy** **Standard** Fit on 60 x 6 mm



Article-Nr.	Material	Availability	Supply
<b>13501C</b>	Black	Stock item	3 m bars
<b>13501</b>	Black	Stock item	6 m bars
<b>13502C</b>	Blue RAL 5012	Stock item	3 m bars
<b>13502</b>	Blue RAL 5012	Stock item	6 m bars

**Plate**  
60 x 6 mm

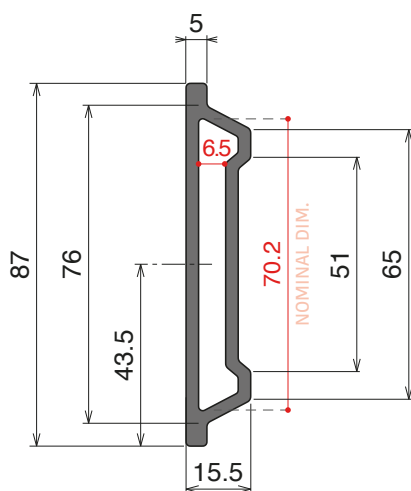
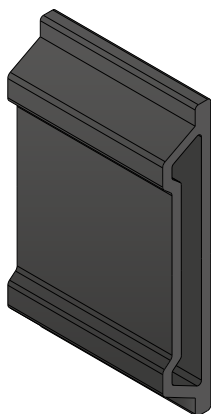


**Part 3310**  
pag 477

Option of application - Plate

## 136 Guida laterale / Side guide / Seitenführung

Delivery: **Easy** **Standard** Fit on 60 x 6 mm



Article-Nr.	Material	Availability	Supply
<b>13601C</b>	Black	Stock item	3 m bars
<b>13601</b>	Black	On request	6 m bars
<b>13602C</b>	Blue RAL 5012	Stock item	3 m bars
<b>13602</b>	Blue RAL 5012	Stock item	6 m bars

**Plate**  
60 x 6 mm



**Part 345**  
pag 477

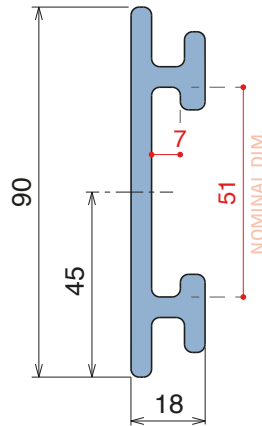
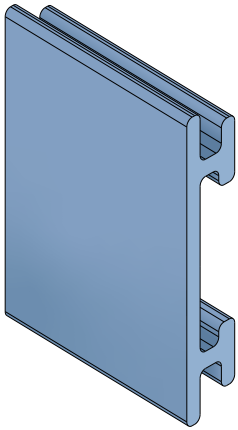
Option of application - Plate



## 1057/1077

### Guida laterale / Side guide / Seitenführung

Delivery: **Easy** **Standard** Fit on 50 x 6 mm



Article-Nr.	Material	Availability	Supply
<b>105720BLC</b>	<b>BluLub</b>	Stock item	3 m bars
<b>105721C</b>	Black	On request	3 m bars
<b>105725C</b>	Blue	On request	3 m bars
<b>105724C</b>	Grey	On request	3 m bars

#### Plate

50 x 6 mm

Valid also for **RS** versions



Option of application - Plate

#### Part 159

Pag 410

Valid also for **RS** versions

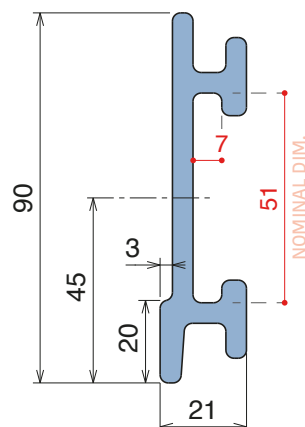
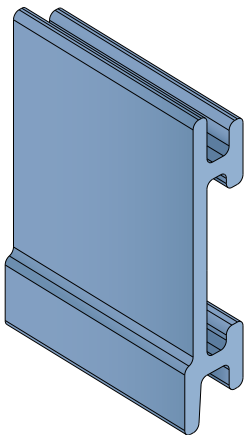


**Part 3311**  
pag 477

Option of application - Guide

### Guida laterale con salva etichetta

Side guide with lable saver / Seitenführung mit Etikettenschutz



Article-Nr.	Material	Availability	Supply
<b>107720BLC</b>	<b>BluLub</b>	Stock item	3 m bars
<b>107721C</b>	Black	On request	3 m bars
<b>107725C</b>	Blue	On request	3 m bars
<b>107724C</b>	Grey	On request	3 m bars

#### Plate

50 x 6 mm

Valid also for **RS** versions



Option of application - Plate

#### Part 159

Pag 410

Valid also for **RS** versions

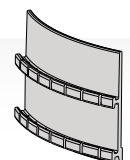


**Part 3311**  
pag 477

Option of application - Guide

#### Easy Bendable

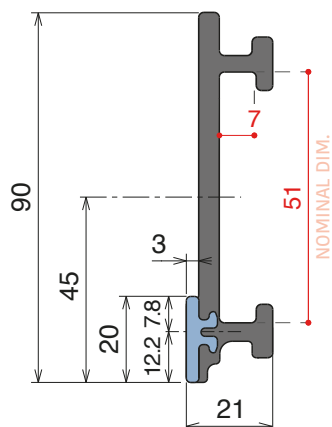
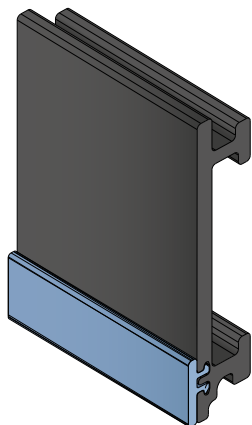
For the grooved version, just add "-S" to the related Article Nr.



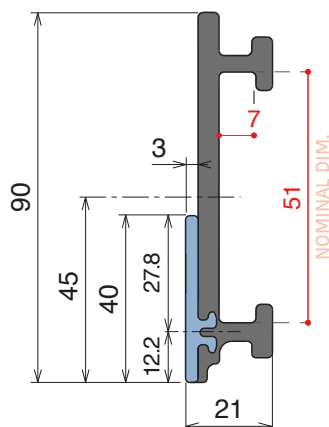
## NEW 1077/1078

**RS** Guida laterale con salva etichetta / Side guide with lable saver / Seitenführung mit Etikettenschutz

Delivery:	Easy	Standard	Fit on 50 x 6 mm	Article-Nr.	Version	Material	Availability	Supply
				<b>107722</b>	A	Black+ <b>BluLub</b>	On request	3 m bars
				<b>107723</b>	B	Black+ <b>BluLub</b>	On request	3 m bars



VERSION A - Label saver 2 cm



VERSION B - Label saver 4 cm

**Base profile**

Art-Nr.	Supply
<b>107790</b>	3 m bars

**Label saver 2 cm**

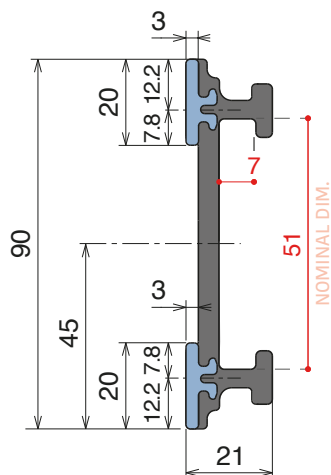
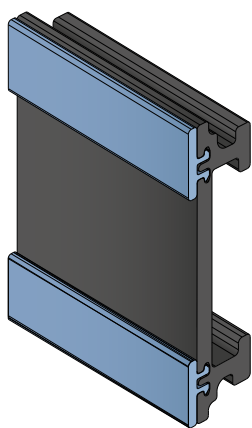
Art-Nr.	Supply
<b>18987</b>	30 m coils

**Label saver 4 cm**

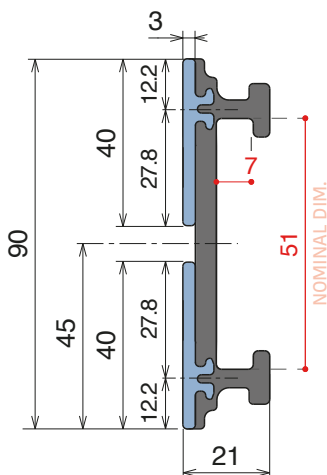
Art-Nr.	Supply
<b>18988</b>	30 m coils

**Single components**

Guida laterale con salva etichetta  
Side guide with lable saver / Seitenführung mit Etikettenschutz



VERSION A - Label saver 2 cm



VERSION B - Label saver 4 cm

Article-Nr.	Version	Material	Availability	Supply
<b>107822</b>	A	Black+ <b>BluLub</b>	On request	3 m bars
<b>107823</b>	B	Black+ <b>BluLub</b>	On request	3 m bars

**Base profile**

Art-Nr.	Supply
<b>107890</b>	3 m bars

**Label saver 2 cm**

Art-Nr.	Supply
<b>18987</b>	30 m coils

**Label saver 4 cm**

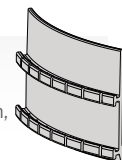
Art-Nr.	Supply
<b>18988</b>	30 m coils

**Label saver 2 cm and 4 cm**  
can also be combined together  
to obtain different version.

**Single components**

**Easy Bendable**

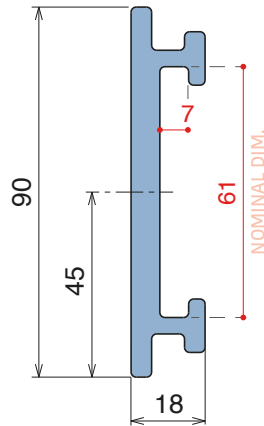
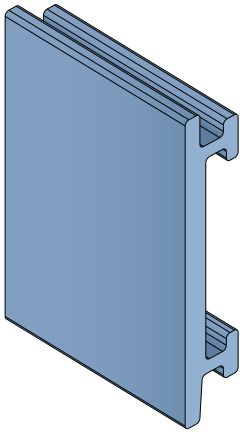
For the grooved version, just add "S" to the related Article Nr.



## 1057/1077

### Guida laterale / Side guide / Seitenführung

Delivery: **Easy** **Standard** Fit on 60 x 6 mm



Article-Nr.	Material	Availability	Supply
105700BC	<b>BluLub</b>	Stock item	3 m bars
105711C	Black	Stock item	3 m bars
105705C	Blue	On request	3 m bars
105704C	Grey	Stock item	3 m bars

#### Plate

60 x 6 mm

Valid also for **RS** versions



Option of application - Plate

#### Part 1089

Pag 410

Valid also for **RS** versions

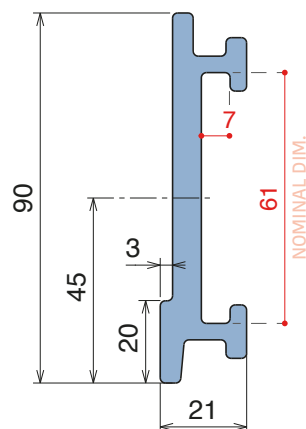
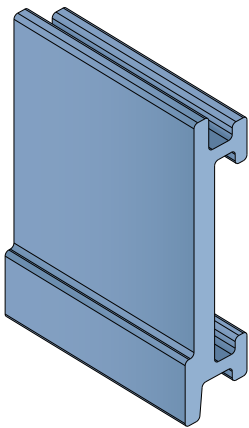


**Part 3311**  
pag 477

Option of application - Guide

### Guida laterale con salva etichetta

Side guide with lable saver / Seitenführung mit Etikettenschutz



Article-Nr.	Material	Availability	Supply
107700BC	<b>BluLub</b>	On request	3 m bars
107711C	Black	On request	3 m bars
107705C	Blue	On request	3 m bars
107704C	Grey	On request	3 m bars

#### Plate

60 x 6 mm

Valid also for **RS** versions



Option of application - Plate

#### Part 1089

Pag 410

Valid also for **RS** versions

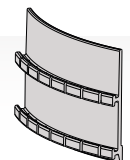


**Part 3311**  
pag 477

Option of application - Guide

#### Easy Bendable

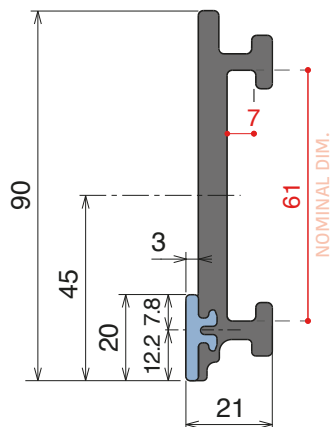
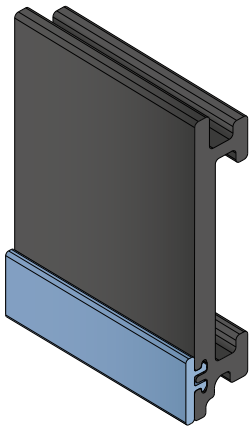
For the grooved version, just add "-S" to the related Article Nr.



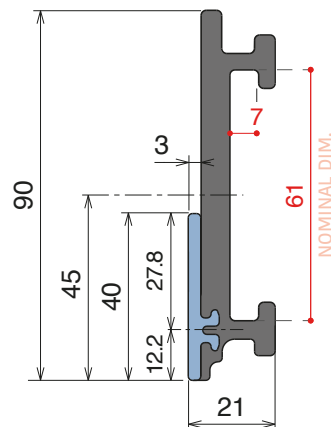
## NEW 1077/1078

**RS** Guida laterale con salva etichetta / Side guide with lable saver / Seitenführung mit Etikettenschutz

Delivery:	Easy	Standard	Fit on 60 x 6 mm	Article-Nr.	Version	Material	Availability	Supply
				<b>107700</b>	A	Black+ <b>BluLub</b>	On request	3 m bars
				<b>107701</b>	B	Black+ <b>BluLub</b>	On request	3 m bars



VERSION A - Label saver 2 cm



VERSION B - Label saver 4 cm

**Base profile**

Art-Nr.	Supply
<b>107791</b>	3 m bars

**Label saver 2 cm**

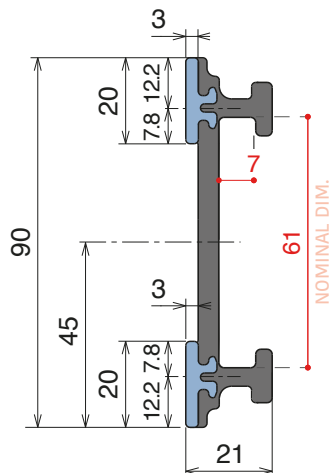
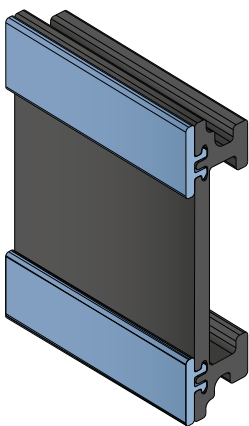
Art-Nr.	Supply
<b>18987</b>	30 m coils

**Label saver 4 cm**

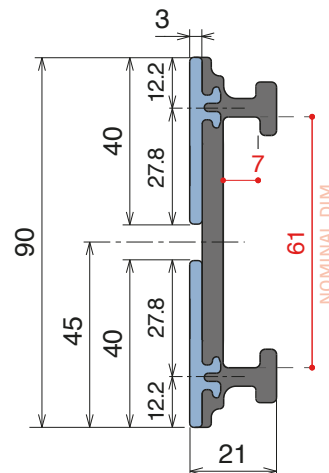
Art-Nr.	Supply
<b>18988</b>	30 m coils

**Single components**

Guida laterale con salva etichetta  
Side guide with lable saver / Seitenführung mit Etikettenschutz



VERSION A - Label saver 2 cm



VERSION B - Label saver 4 cm

Article-Nr.	Version	Material	Availability	Supply
<b>107800</b>	A	Black+ <b>BluLub</b>	On request	3 m bars
<b>107801</b>	B	Black+ <b>BluLub</b>	On request	3 m bars

**Base profile**

Art-Nr.	Supply
<b>107891</b>	3 m bars

**Label saver 2 cm**

Art-Nr.	Supply
<b>18987</b>	30 m coils

**Label saver 4 cm**

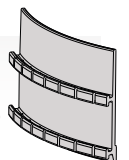
Art-Nr.	Supply
<b>18988</b>	30 m coils

**Label saver 2 cm and 4 cm**  
can also be combined together  
to obtain different version.

**Single components**

**Easy Bendable**

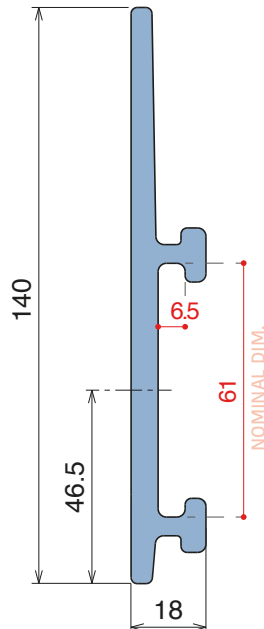
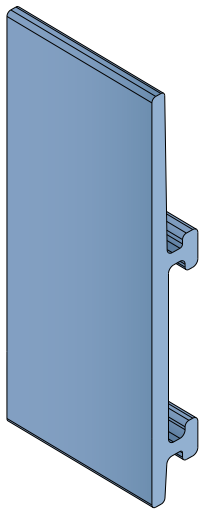
For the grooved version, just add "S" to the related Article Nr.



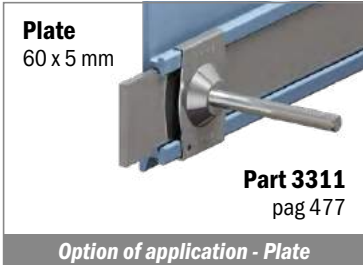
## 193/189

### Guida laterale / Side guide / Seitenführung

Delivery: **Easy** **Standard** Fit on 60 x 5 mm

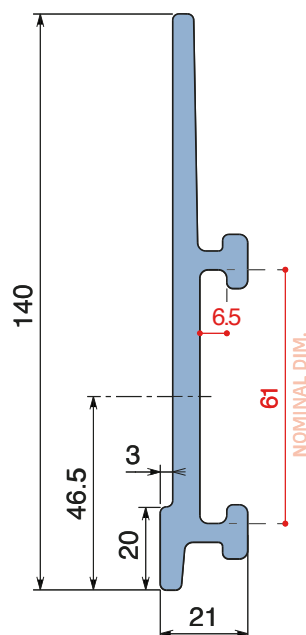
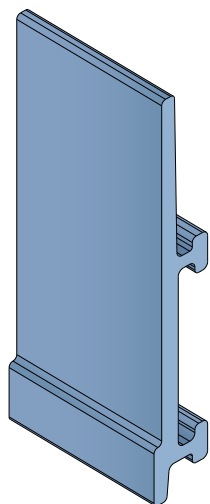


Article-Nr.	Material	Availability	Supply
<b>19330BC</b>	<b>BluLub</b>	Stock item	3 m bars
<b>19335C</b>	Blue	On request	3 m bars
<b>19334C</b>	Grey	On request	3 m bars

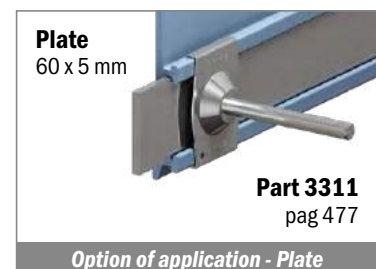


### Guida laterale con salva etichetta

Side guide with lable saver / Seitenführung mit Etikettenschutz

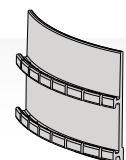


Article-Nr.	Material	Availability	Supply
<b>18980BC</b>	<b>BluLub</b>	Stock item	3 m bars
<b>18985C</b>	Blue	On request	3 m bars
<b>18984C</b>	Grey	On request	3 m bars



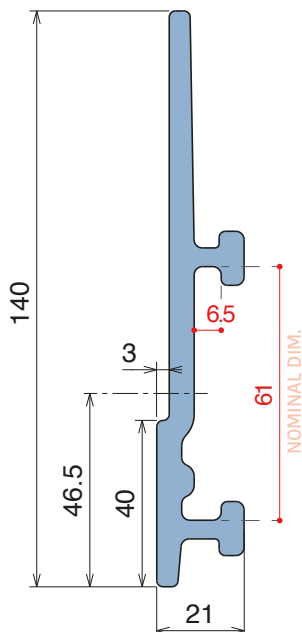
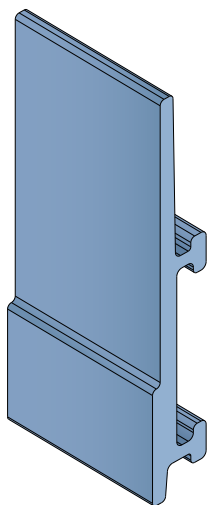
#### Easy Bendable

For the grooved version, just add "-S" to the related Article Nr.



## Guida laterale con salva etichetta

Side guide with label saver / Seitenführung mit Etikettenschutz



Article-Nr.	Material	Availability	Supply
18940BC	BluLub	Stock item	3 m bars
18945C	Blue	On request	3 m bars
18944C	Grey	Stock item	3 m bars

### Plate

60 x 5 mm

Valid also for  
**RS** versions

**Part 3311**  
pag 477

Option of application - Plate

### Part 1088

Pag 410

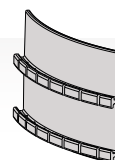
Valid also for  
**RS** versions

**Part 3311**  
pag 477

Option of application - Guide

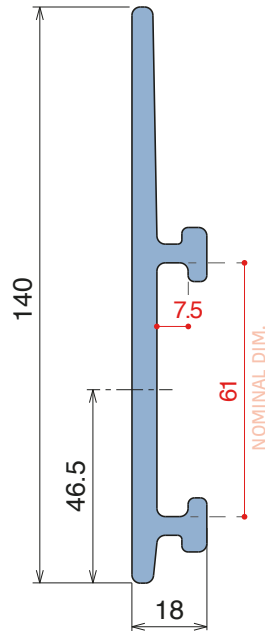
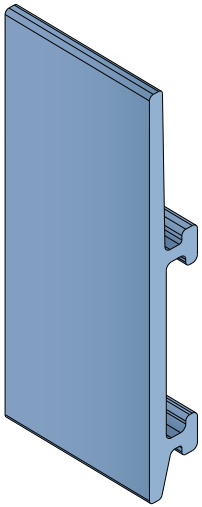
### Easy Bendable

For the grooved version, just add "-S" to the related Article Nr.



## 193 Guida laterale / Side guide / Seitenführung

Delivery: **Easy** **Standard** Fit on 60 x 6 mm



Article-Nr.	Material	Availability	Supply
<b>19320BC</b>	<b>BluLub</b>	Stock item	3 m bars
<b>19325C</b>	Blue	On request	3 m bars
<b>19324C</b>	Grey	Stock item	3 m bars

**Plate**  
60 x 6 mm



**Part 3311**  
pag 477

Option of application - Plate

**Part 1089**  
Pag 410

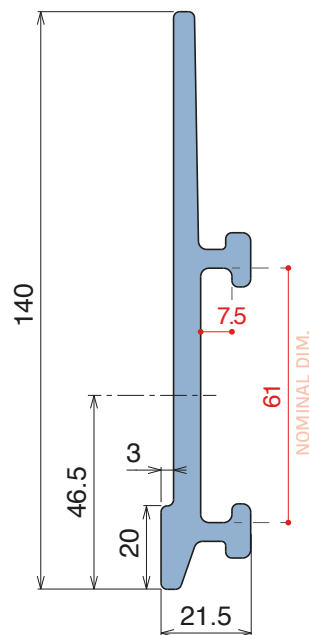
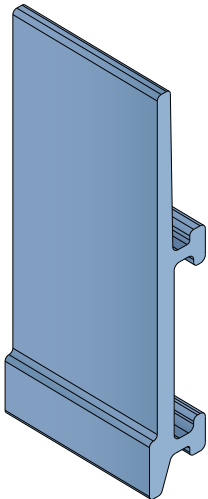


**Part 3311**  
pag 477

Option of application - Guide

## 189 Guida laterale con salva etichetta / Side guide with lable saver / Seitenführung mit Etikettenschutz

Delivery: **Easy** **Standard** Fit on 60 x 6 mm



Article-Nr.	Material	Availability	Supply
<b>18920BC</b>	<b>BluLub</b>	Stock item	3 m bars
<b>18925C</b>	Blue	On request	3 m bars
<b>18924C</b>	Grey	Stock item	3 m bars

**Plate**  
60 x 6 mm



Valid also for  
**RS** versions

**Part 3311**  
pag 477

Option of application - Plate

**Part 1089**  
Pag 410



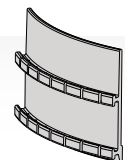
Valid also for  
**RS** versions

**Part 3311**  
pag 477

Option of application - Guide

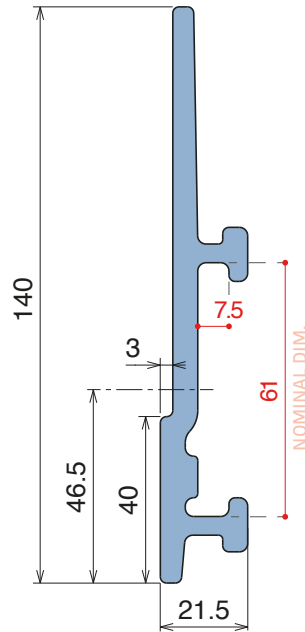
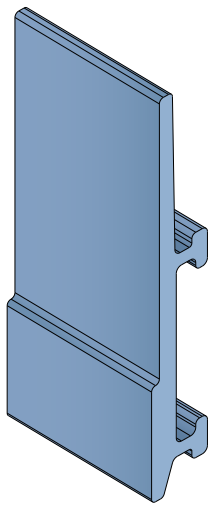
**Easy Bendable**

For the grooved version,  
just add "-S" to the  
related Article Nr.



## Guida laterale con salva etichetta

Side guide with lable saver / Seitenführung mit Etikettenschutz



Article-Nr.	Material	Availability	Supply
18930BC	BluLub	Stock item	3 m bars
18935C	Blue	On request	3 m bars
18934C	Grey	Stock item	3 m bars

**Plate**  
60 x 6 mm

Valid also for  
**RS** versions

**Part 3311**  
pag 477

Option of application - Plate

**Part 1089**  
Pag 410

Valid also for  
**RS** versions

**Part 3311**  
pag 477

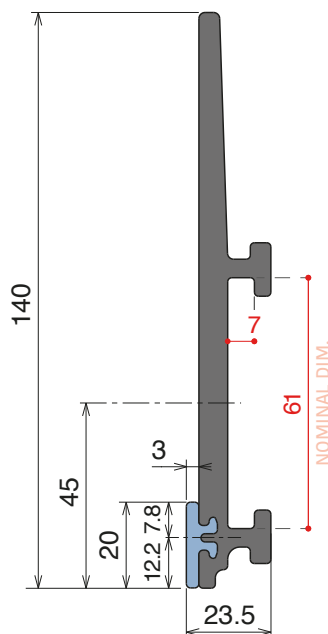
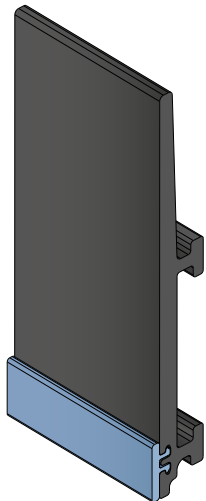
Option of application - Guide

**NEW** 1075

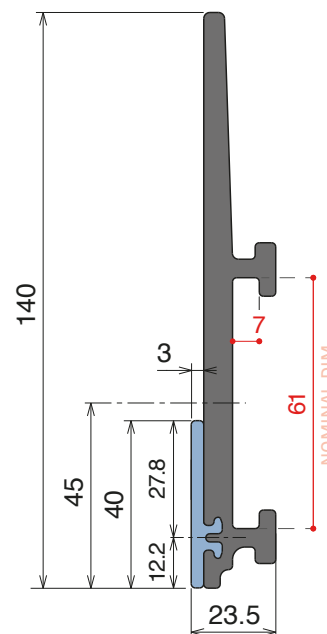
## **RS** Guida laterale con salva etichetta / Side guide with lable saver / Seitenführung mit Etikettenschutz

Delivery: **Easy** **Standard** Fit on 60 x 6 mm

Article-Nr.	Version	Material	Availability	Supply
107500	A	Black+ BluLub	On request	3 m bars
107501	B	Black+ BluLub	On request	3 m bars



VERSION A - Label saver 2 cm



VERSION B - Label saver 4 cm

**Base profile**

Art-Nr.	Supply
18990	3 m bars

**Label saver 2 cm**

Art-Nr.	Supply
18987	30 m coils

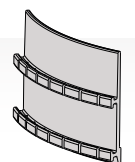
**Label saver 4 cm**

Art-Nr.	Supply
18988	30 m coils

Single components

**Easy Bendable**

For the grooved version, just add "-S" to the related Article Nr.

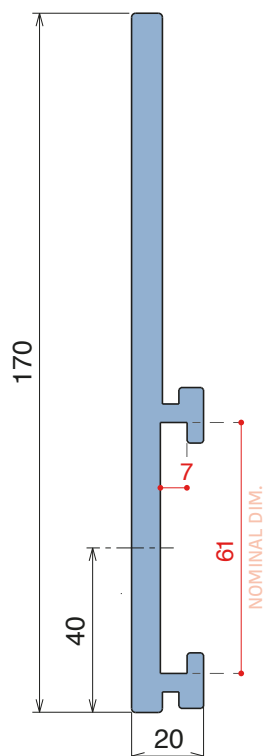
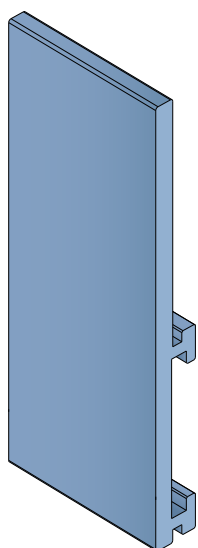




# 187

## Guida laterale / Side guide / Seitenführung

Delivery: **Easy** **Standard** Fit on 60 x 6 mm



Article-Nr.	Material	Availability	Supply
<b>18710BC</b>	<b>BluLub</b>	Stock item	3 m bars
<b>18705C</b>	Blue	On request	3 m bars
<b>18714C</b>	Grey	On request	3 m bars

**Plate**  
60 x 6 mm



**Part 3311**  
pag 477

Option of application - Plate

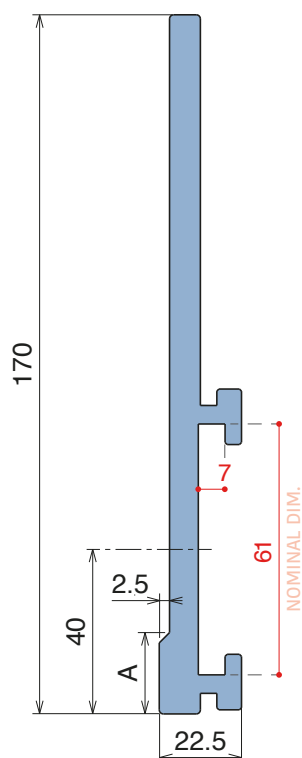
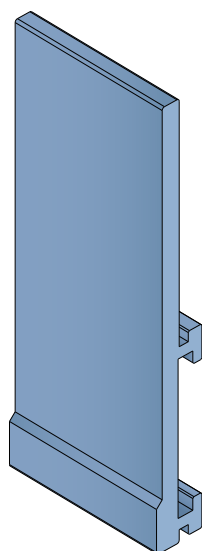
**Part 1089**  
Pag 410



**Part 3311**  
pag 477

Option of application - Guide

### Guida laterale con salva etichetta Side guide with lable saver / Seitenführung mit Etikettenschutz



Article-Nr.	A	Material	Availability	Supply
<b>18720BC</b>	12	<b>BluLub</b>	Stock item	3 m bars
<b>18730BC</b>	20	<b>BluLub</b>	Stock item	3 m bars
<b>18740BC</b>	40	<b>BluLub</b>	Stock item	3 m bars
<b>18725C</b>	12	Blue	On request	3 m bars
<b>18735C</b>	20	Blue	On request	3 m bars
<b>18745C</b>	40	Blue	On request	3 m bars
<b>18724C</b>	12	Grey	On request	3 m bars
<b>18734C</b>	20	Grey	On request	3 m bars
<b>18744C</b>	40	Grey	On request	3 m bars

**Plate**  
60 x 6 mm



**Part 3311**  
pag 477

Option of application - Plate

**Part 1089**  
Pag 410

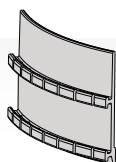


**Part 3311**  
pag 477

Option of application - Guide

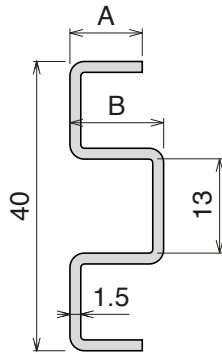
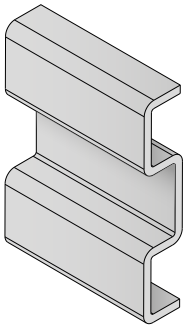
#### Easy Bendable

For the grooved version, just add "-S" to the related Article Nr.



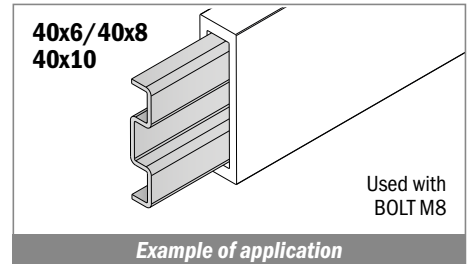
## 117 Profilo Omega / M-Profile / M-Profil

Delivery: **Easy** Standard



Used with part:  
137 - 183 - 189 - 1079

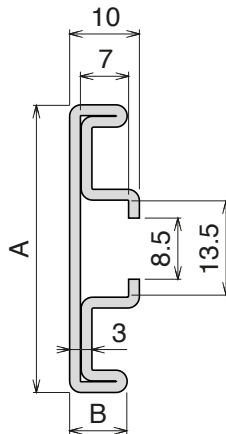
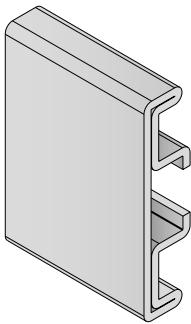
Article-Nr.	A	B	Availability	Supply
<b>11703C</b>	6	10	Stock item	3 m bars
<b>11703</b>	6	10	On request	6 m bars
<b>11701C</b>	8	8	Stock item	3 m bars
<b>11701</b>	8	8	Stock item	6 m bars
<b>11702C</b>	10	10	Stock item	3 m bars
<b>11702</b>	10	10	On request	6 m bars



## 1055 Profilo in Acciaio inox / Stainless steel Profile / Edelstahlprofil

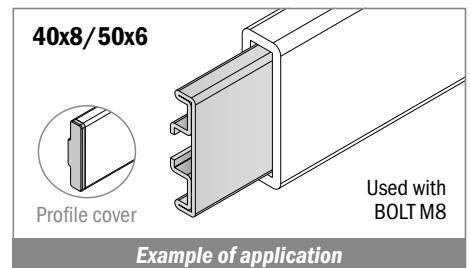
Delivery: **Easy** Standard

**NEW**



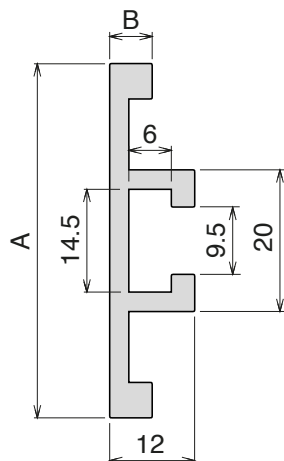
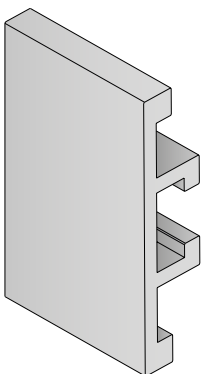
Used with part:  
137 - 183 - 189 - 1079

Article-Nr.	A	B	Availability	Supply	Profile cover	Box
<b>105501C</b>	40	8	Stock item	3 m bars	<b>301409</b>	60 pcs
<b>105501</b>	40	8	On request	6 m bars	<b>301409</b>	60 pcs
<b>105503C</b>	50	6	Stock item	3 m bars	<b>301410</b>	60 pcs
<b>105503</b>	50	6	On request	6 m bars	<b>301410</b>	60 pcs



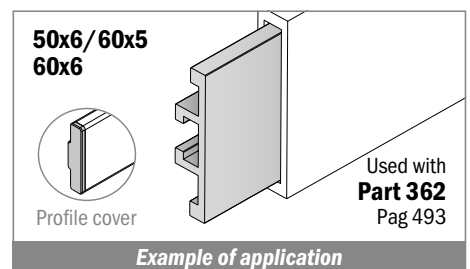
## 159-1088-1089 Profilo in Alluminio / Aluminum Profile / Aluminium Profil

**NEW**



Used with Part:  
158 - 187 - 189 - 193  
1057 - 1075 - 1077 - 1078

Article-Nr.	A	B	Availability	Supply	Profile cover	Box
<b>15901C</b>	50	6	Stock item	3 m bars	<b>301411</b>	60 pcs
<b>15901</b>	50	6	On request	6 m bars	<b>301411</b>	60 pcs
<b>108801C</b>	60	5	Stock item	3 m bars	<b>301412</b>	60 pcs
<b>108801</b>	60	5	On request	6 m bars	<b>301412</b>	60 pcs
<b>108901C</b>	60	6	Stock item	3 m bars	<b>301413</b>	60 pcs
<b>108901</b>	60	6	On request	6 m bars	<b>301413</b>	60 pcs

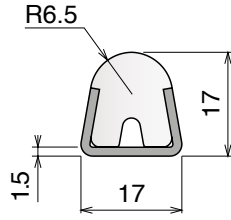
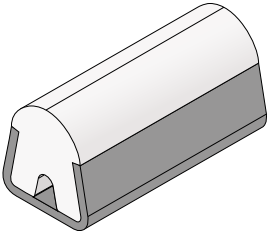


**Materiale / Material / Materialien:**  
 Profilo metallico: Acciaio inox AISI 304  
 Metal profile: Stainless steel AISI 304  
 Metallprofil: Edelstahl AISI 304

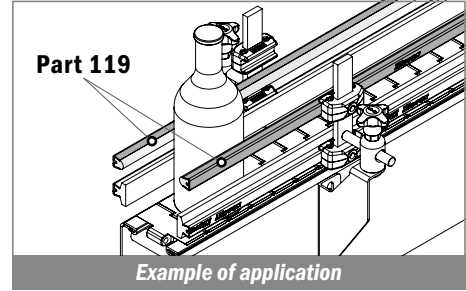
**119** Guida conica / Guide rail / Konische Führung

Delivery: **Easy** **Standard**

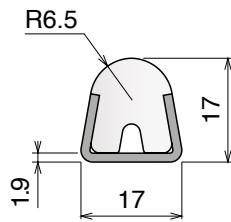
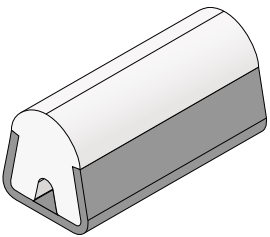
Stainless steel profile thickness: 1,5 mm



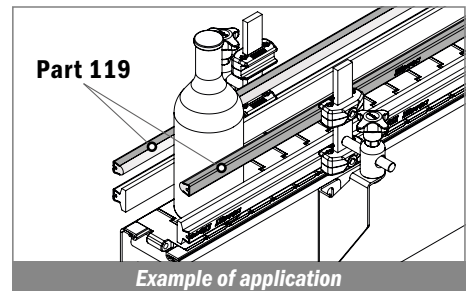
Article-Nr.	Material	Availability	Supply
11901BC	<b>BluLub</b>	Stock item	3 m bars
11901B	<b>BluLub</b>	On request	6 m bars
11901C	<b>Ti-White</b>	Stock item	3 m bars
11901	<b>Ti-White</b>	On request	6 m bars
11905C	Blue	On request	3 m bars
11905	Blue	On request	6 m bars



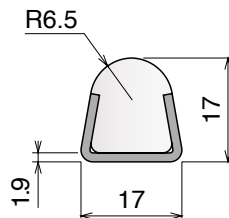
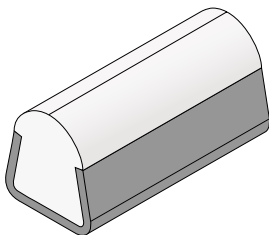
Stainless steel profile thickness: 1,9 mm



Article-Nr.	Material	Availability	Supply
11963B	<b>BluLub</b>	On request	3 m bars
11967B	<b>BluLub</b>	On request	6 m bars
11963	<b>Ti-White</b>	Stock item	3 m bars
11967	<b>Ti-White</b>	On request	6 m bars
11964C	Blue	On request	3 m bars
11964	Blue	On request	6 m bars



  
 Hygienic  
 Version  
**NEW**

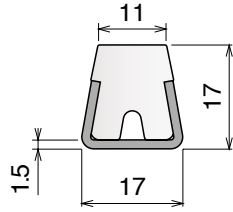
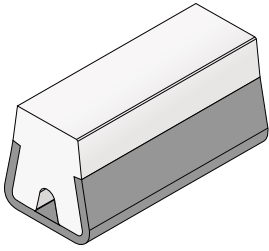


Article-Nr.	Material	Availability	Supply
11953B	<b>BluLub</b>	On request	3 m bars
11957B	<b>BluLub</b>	On request	6 m bars
11953	<b>Ti-White</b>	On request	3 m bars
11957	<b>Ti-White</b>	Stock item	6 m bars
11983C	Blue	On request	3 m bars
11987	Blue	On request	6 m bars

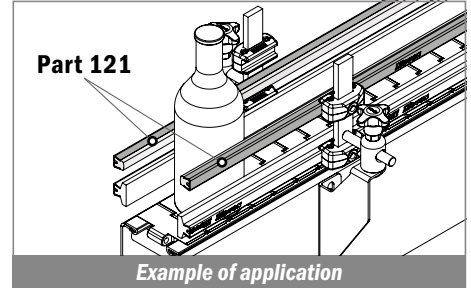
## 121 Guida conica / Guide rail / Konische Führung

Delivery: **Easy** Standard

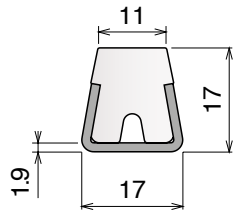
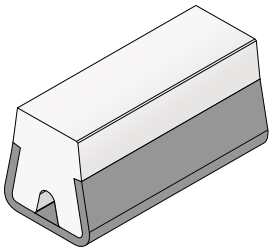
Stainless steel profile thickness: 1,5 mm



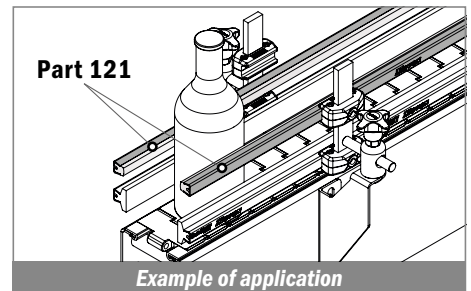
Article-Nr.	Material	Availability	Supply
<b>12101BC</b>	<b>BluLub</b>	On request	3 m bars
<b>12101B</b>	<b>BluLub</b>	On request	6 m bars
<b>12101C</b>	<b>Ti-White</b>	Stock item	3 m bars
<b>12101</b>	<b>Ti-White</b>	On request	6 m bars
<b>12105C</b>	Blue	On request	3 m bars
<b>12105</b>	Blue	On request	6 m bars



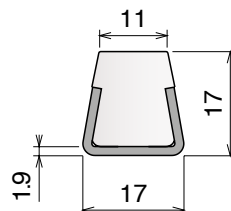
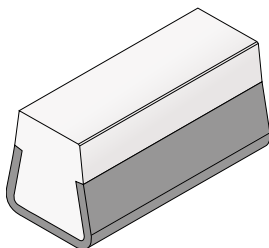
Stainless steel profile thickness: 1,9 mm



Article-Nr.	Material	Availability	Supply
<b>12163B</b>	<b>BluLub</b>	On request	3 m bars
<b>12167B</b>	<b>BluLub</b>	On request	6 m bars
<b>12163</b>	<b>Ti-White</b>	Stock item	3 m bars
<b>12167</b>	<b>Ti-White</b>	On request	6 m bars
<b>12173</b>	Blue	On request	3 m bars
<b>12177</b>	Blue	On request	6 m bars



Hygienic Version  
**NEW**



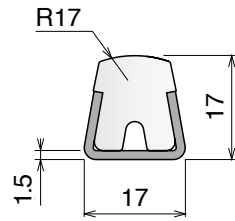
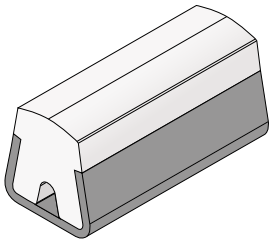
Article-Nr.	Material	Availability	Supply
<b>12153B</b>	<b>BluLub</b>	On request	3 m bars
<b>12157B</b>	<b>BluLub</b>	On request	6 m bars
<b>12153</b>	<b>Ti-White</b>	Stock item	3 m bars
<b>12157</b>	<b>Ti-White</b>	On request	6 m bars
<b>12183</b>	Blue	On request	3 m bars
<b>12187</b>	Blue	On request	6 m bars

**Materiale / Material / Materialien:**  
 Profilo metallico: Acciaio inox AISI 304  
 Metal profile: Stainless steel AISI 304  
 Metallprofil: Edelstahl AISI 304

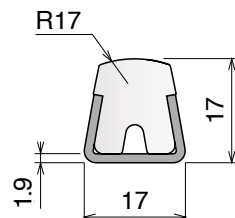
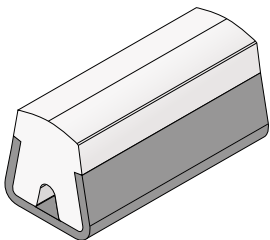
## 120 Guida conica / Guide rail / Konische Führung

Delivery: **Easy** **Standard**

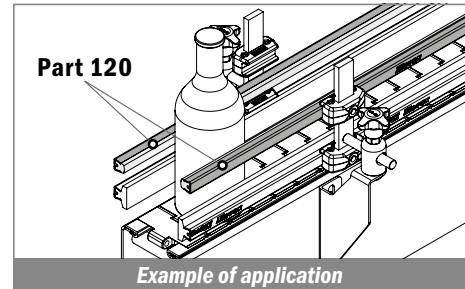
Stainless steel profile thickness: 1,5 mm



Stainless steel profile thickness: 1,9 mm



Article-Nr.	Material	Availability	Supply
12001BC	<b>BluLub</b>	On request	3 m bars
12001B	<b>BluLub</b>	On request	6 m bars
12001C	<b>Ti-White</b>	Stock item	3 m bars
12001	<b>Ti-White</b>	On request	6 m bars
12005C	Blue	On request	3 m bars
12005	Blue	On request	6 m bars

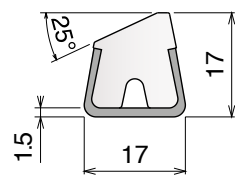
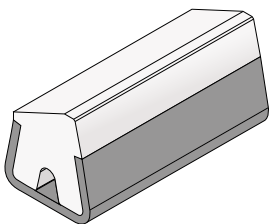


Article-Nr.	Material	Availability	Supply
12063B	<b>BluLub</b>	On request	3 m bars
12067B	<b>BluLub</b>	On request	6 m bars
12063	<b>Ti-White</b>	Stock item	3 m bars
12067	<b>Ti-White</b>	On request	6 m bars
12063BL	Blue	On request	3 m bars
12067BL	Blue	On request	6 m bars

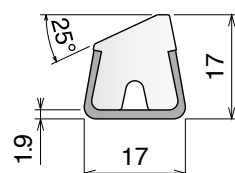
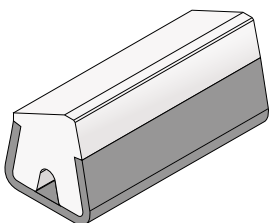
## 152 Guida conica / Guide rail / Konische Führung

Delivery: **Easy** **Standard**

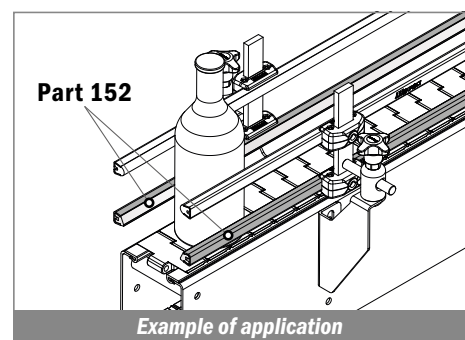
Stainless steel profile thickness: 1,5 mm



Stainless steel profile thickness: 1,9 mm



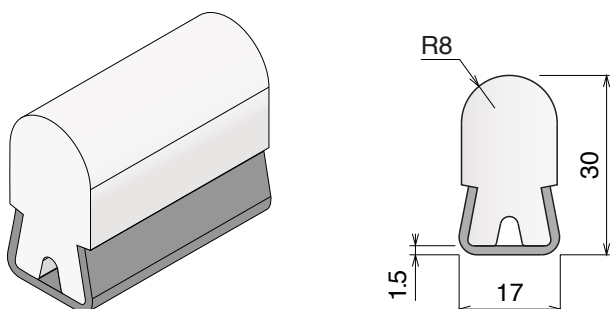
Article-Nr.	Material	Availability	Supply
15200BC	<b>BluLub</b>	On request	3 m bars
15201C	<b>Ti-White</b>	Stock item	3 m bars
15205C	Blue	On request	3 m bars



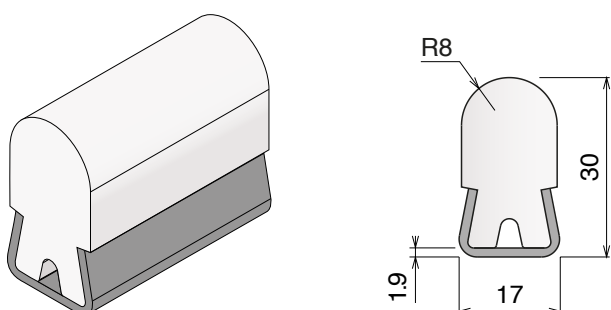
Article-Nr.	Material	Availability	Supply
15260BC	<b>BluLub</b>	On request	3 m bars
15263	<b>Ti-White</b>	On request	3 m bars
15265C	Blue	On request	3 m bars

## 1067 Guida conica / Guide rail / Konische Führung

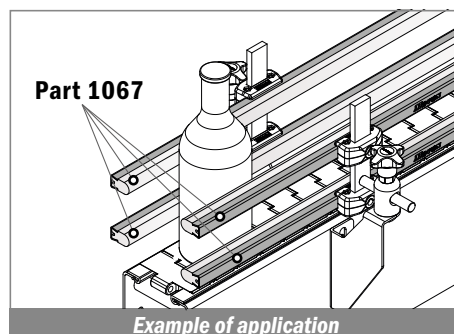
Stainless steel profile thickness: 1,5 mm



Stainless steel profile thickness: 1,9 mm



Article-Nr.	Material	Availability	Supply
106700BC	BluLub	On request	3 m bars
106701C	Ti-White	On request	3 m bars
106705C	Blue	On request	3 m bars

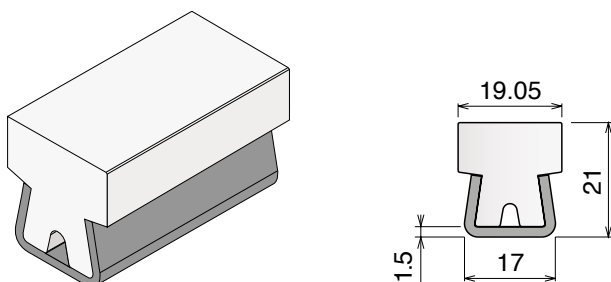


Article-Nr.	Material	Availability	Supply
106760BC	BluLub	On request	3 m bars
106763	Ti-White	On request	3 m bars
106765C	Blue	On request	3 m bars

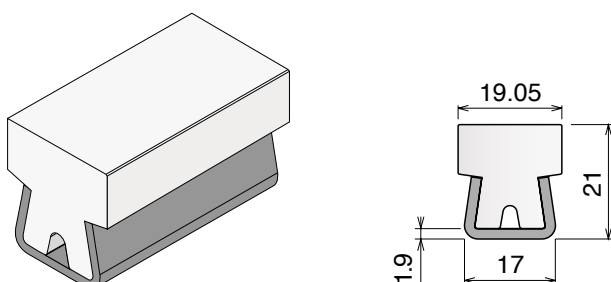
## 143 Guida conica / Guide rail / Konische Führung

Delivery: **Easy** Standard

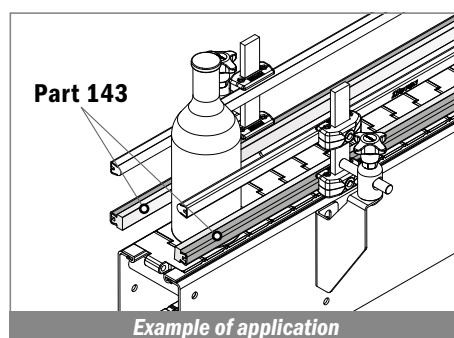
Stainless steel profile thickness: 1,5 mm



Stainless steel profile thickness: 1,9 mm



Article-Nr.	Material	Availability	Supply
14300BC	BluLub	On request	3 m bars
14301C	Ti-White	On request	3 m bars
14305C	Blue	On request	3 m bars



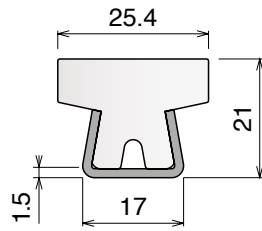
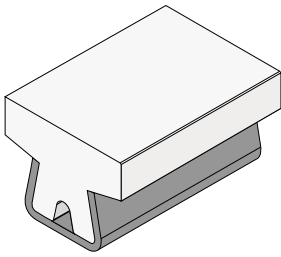
Article-Nr.	Material	Availability	Supply
14360BC	BluLub	On request	3 m bars
14363	Ti-White	Stock item	3 m bars
14365C	Blue	On request	3 m bars

**Materiale / Material / Materialien:**  
 Profilo metallico: Acciaio inox AISI 304  
 Metal profile: Stainless steel AISI 304  
 Metallprofil: Edelstahl AISI 304

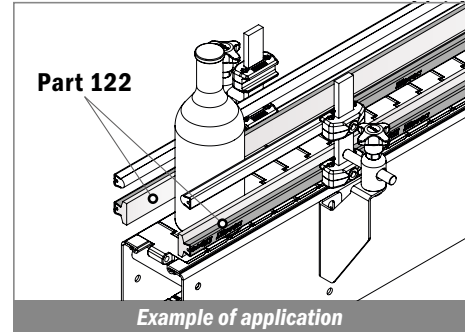
## 122 Guida conica / Guide rail / Konische Führung

Delivery: **Easy** **Standard**

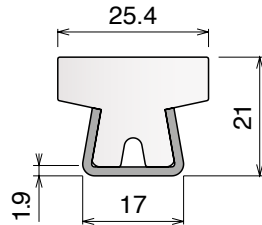
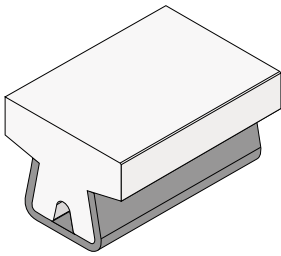
Stainless steel profile thickness: 1,5 mm



Article-Nr.	Material	Availability	Supply
12200BC	<b>BluLub</b>	On request	3 m bars
12201C	<b>Ti-White</b>	Stock item	3 m bars
12205C	Blue	On request	3 m bars



Stainless steel profile thickness: 1,9 mm

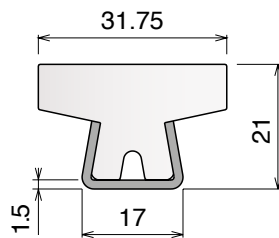
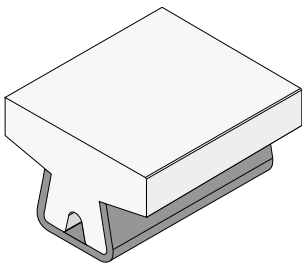


Article-Nr.	Material	Availability	Supply
12260BC	<b>BluLub</b>	On request	3 m bars
12263	<b>Ti-White</b>	Stock item	3 m bars
12263BLC	Blue	On request	3 m bars

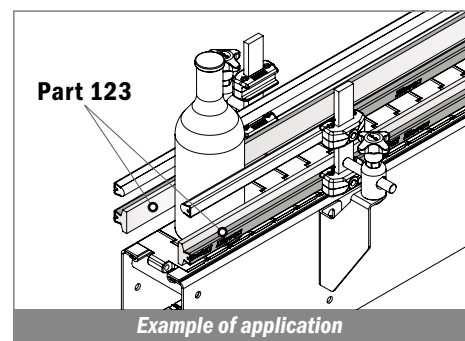
## 123 Guida conica / Guide rail / Konische Führung

Delivery: **Easy** **Standard**

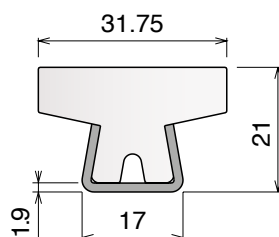
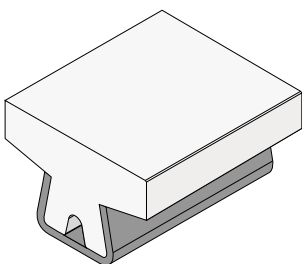
Stainless steel profile thickness: 1,5 mm



Article-Nr.	Material	Availability	Supply
12300BC	<b>BluLub</b>	On request	3 m bars
12301C	<b>Ti-White</b>	Stock item	3 m bars
12305C	Blue	On request	3 m bars



Stainless steel profile thickness: 1,9 mm

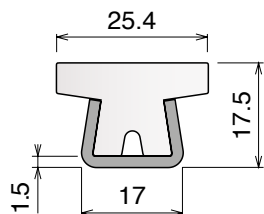
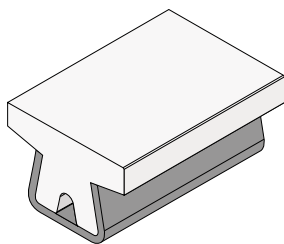


Article-Nr.	Material	Availability	Supply
12360BC	<b>BluLub</b>	On request	3 m bars
12363	<b>Ti-White</b>	Stock item	3 m bars
12363BLC	Blue	On request	3 m bars

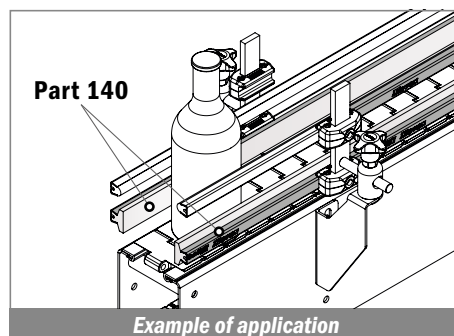
## 140 Guida conica / Guide rail / Konische Führung

Delivery: **Easy** Standard

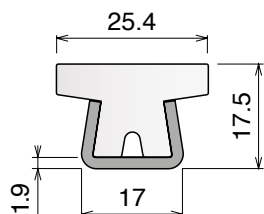
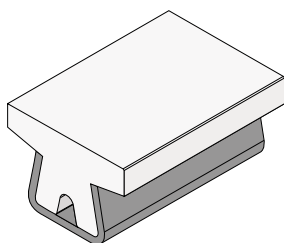
Stainless steel profile thickness: 1,5 mm



Article-Nr.	Material	Availability	Supply
14000BC	<b>BluLub</b>	On request	3 m bars
14001C	<b>Ti-White</b>	Stock item	3 m bars
14005C	Blue	On request	3 m bars



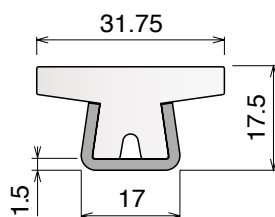
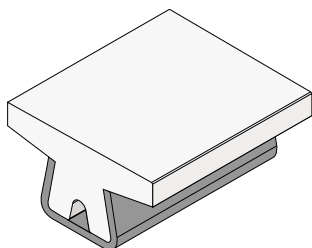
Stainless steel profile thickness: 1,9 mm



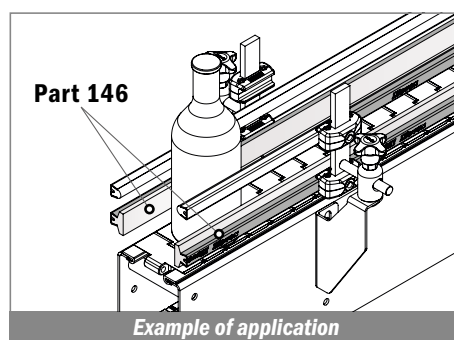
Article-Nr.	Material	Availability	Supply
14060BC	<b>BluLub</b>	On request	3 m bars
14063	<b>Ti-White</b>	Stock item	3 m bars
14063BLC	Blue	On request	3 m bars

## 146 Guida conica / Guide rail / Konische Führung

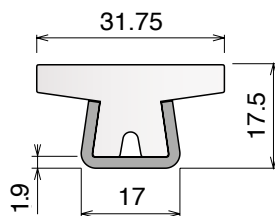
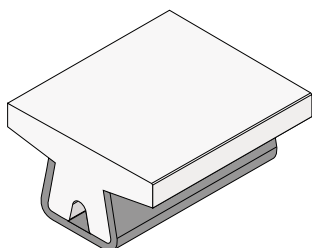
Stainless steel profile thickness: 1,5 mm



Article-Nr.	Material	Availability	Supply
14600BC	<b>BluLub</b>	On request	3 m bars
14601C	<b>Ti-White</b>	On request	3 m bars
14605C	Blue	On request	3 m bars



Stainless steel profile thickness: 1,9 mm



Article-Nr.	Material	Availability	Supply
14660BC	<b>BluLub</b>	On request	3 m bars
14663	<b>Ti-White</b>	On request	3 m bars
14663BLC	Blue	On request	3 m bars

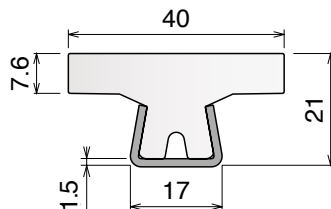
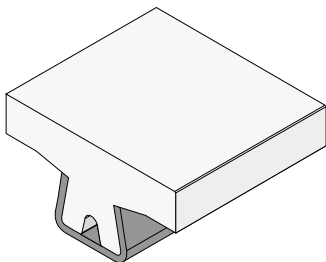


**Materiale / Material / Materialien:**  
 Profilo metallico: Acciaio inox AISI 304  
 Metal profile: Stainless steel AISI 304  
 Metallprofil: Edelstahl AISI 304

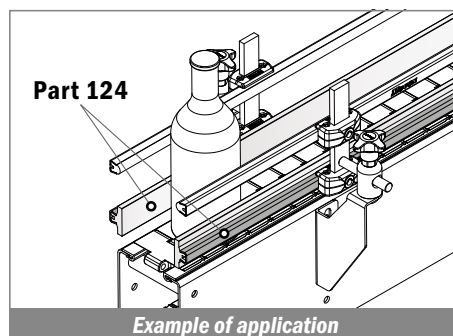
## 124 Guida conica / Guide rail / Konische Führung

Delivery: **Easy** **Standard**

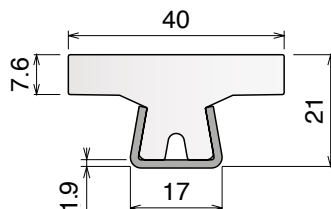
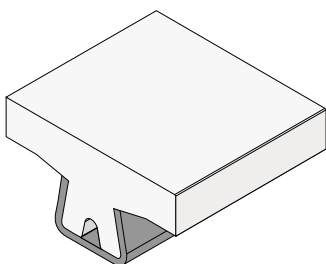
Stainless steel profile thickness: 1,5 mm



Article-Nr.	Material	Availability	Supply
12400BC	<i>BluLub</i>	On request	3 m bars
12401C	<i>Ti-White</i>	Stock item	3 m bars
12405C	Blue	On request	3 m bars



Stainless steel profile thickness: 1,9 mm

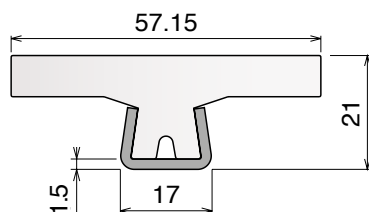
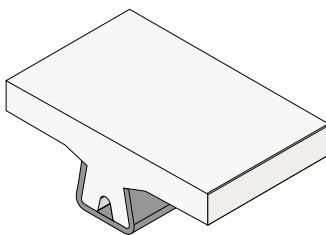


Article-Nr.	Material	Availability	Supply
12460BC	<i>BluLub</i>	On request	3 m bars
12463	<i>Ti-White</i>	Stock item	3 m bars
12463BLC	Blue	On request	3 m bars

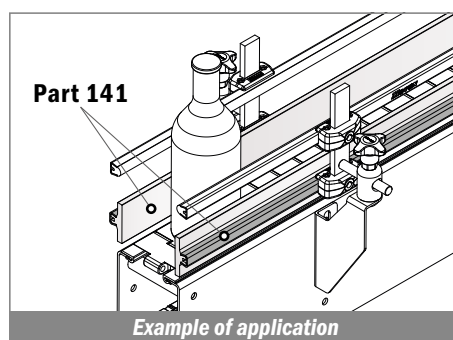
## 141 Guida conica / Guide rail / Konische Führung

Delivery: **Easy** **Standard**

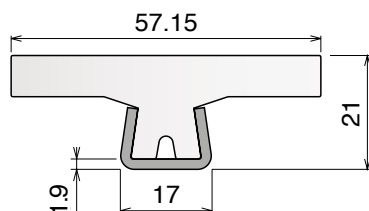
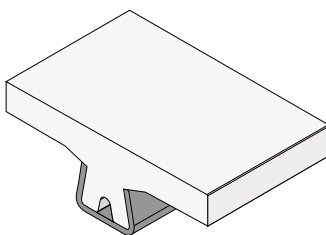
Stainless steel profile thickness: 1,5 mm



Article-Nr.	Material	Availability	Supply
14101BC	<i>BluLub</i>	On request	3 m bars
14101C	<i>Ti-White</i>	Stock item	3 m bars
14105C	Blue	On request	3 m bars



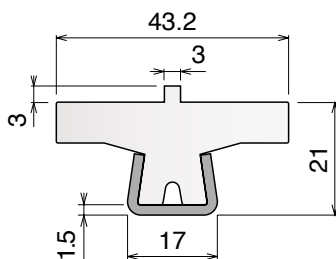
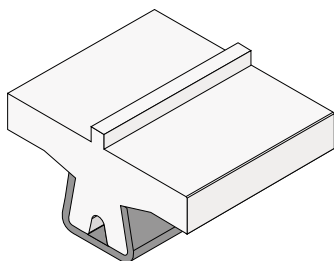
Stainless steel profile thickness: 1,9 mm



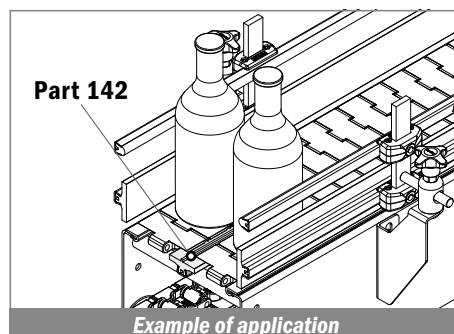
Article-Nr.	Material	Availability	Supply
14160BC	<i>BluLub</i>	On request	3 m bars
14163	<i>Ti-White</i>	Stock item	3 m bars
14163BLC	Blue	On request	3 m bars

## 142 Guida conica / Guide rail / Konische Führung

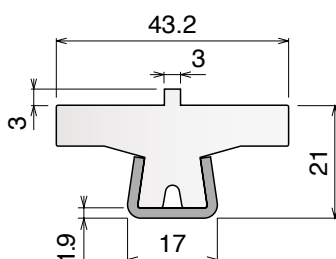
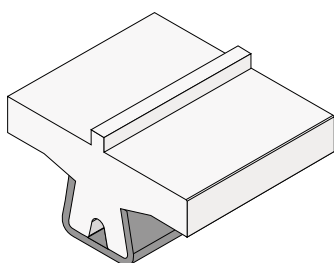
Stainless steel profile thickness: 1,5 mm



Article-Nr.	Material	Availability	Supply
14200BC	BluLub	On request	3 m bars
14201C	Ti-White	On request	3 m bars
14205C	Blue	On request	3 m bars



Stainless steel profile thickness: 1,9 mm

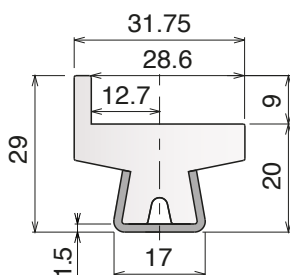
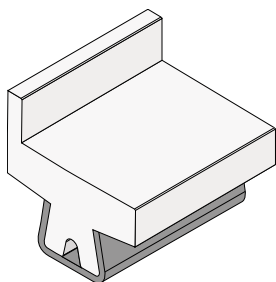


Article-Nr.	Material	Availability	Supply
14260BC	BluLub	On request	3 m bars
14263	Ti-White	On request	3 m bars
14263BLC	Blue	On request	3 m bars

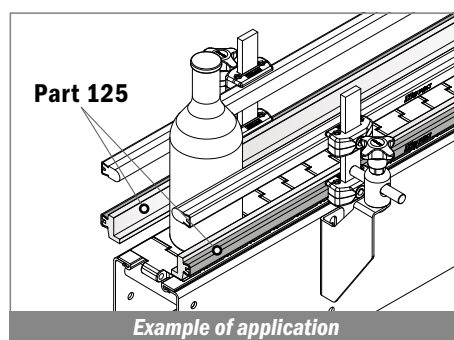
## 125 Guida conica / Guide rail / Konische Führung

Delivery: **Easy** Standard

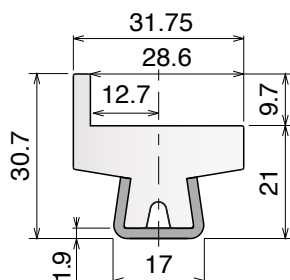
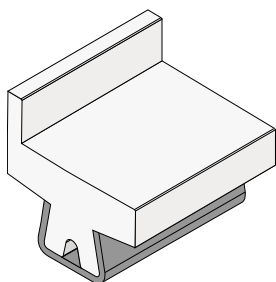
Stainless steel profile thickness: 1,5 mm



Article-Nr.	Material	Availability	Supply
12500BC	BluLub	On request	3 m bars
12501C	Ti-White	On request	3 m bars
12505C	Blue	On request	3 m bars



Stainless steel profile thickness: 1,9 mm

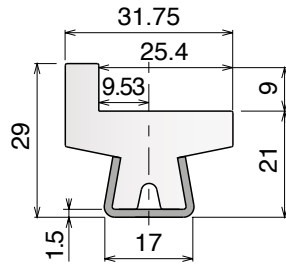
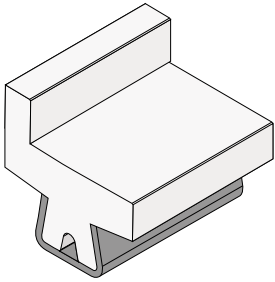


Article-Nr.	Material	Availability	Supply
12560BC	BluLub	On request	3 m bars
12563	Ti-White	Stock item	3 m bars
12563BLC	Blue	On request	3 m bars

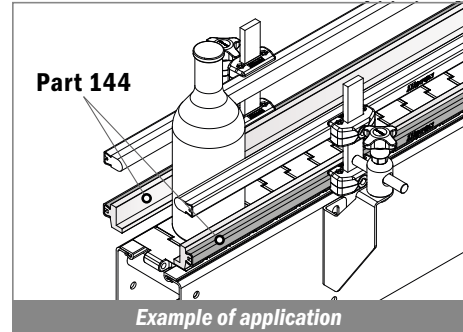
## 144 Guida conica / Guide rail / Konische Führung

Delivery: **Easy** **Standard**

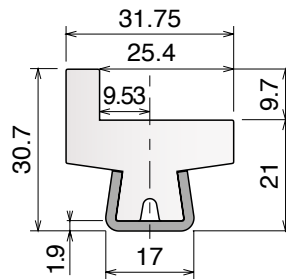
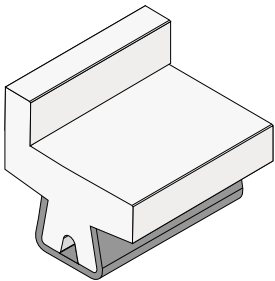
Stainless steel profile thickness: 1,5 mm



Article-Nr.	Material	Availability	Supply
14400BC	<b>BluLub</b>	On request	3 m bars
14401C	<b>Ti-White</b>	Stock item	3 m bars
14405C	Blue	On request	3 m bars



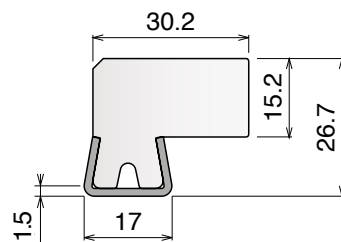
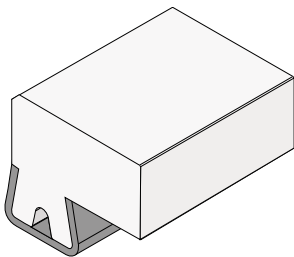
Stainless steel profile thickness: 1,9 mm



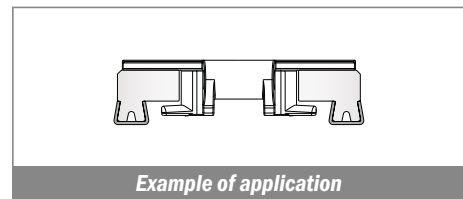
Article-Nr.	Material	Availability	Supply
14460BC	<b>BluLub</b>	On request	3 m bars
14463	<b>Ti-White</b>	Stock item	3 m bars
14463BLC	Blue	On request	3 m bars

## 184 Guida conica / Guide rail / Konische Führung

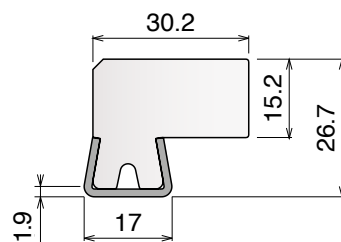
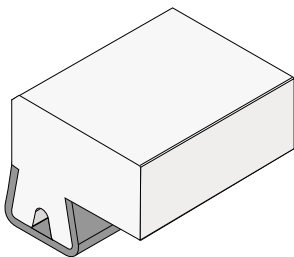
Stainless steel profile thickness: 1,5 mm



Article-Nr.	Material	Availability	Supply
18400BC	<b>BluLub</b>	On request	3 m bars
18401C	<b>Ti-White</b>	On request	3 m bars
18405C	Blue	On request	3 m bars



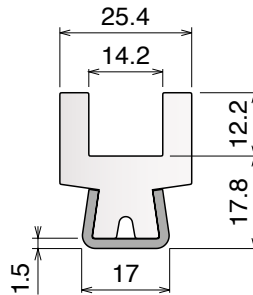
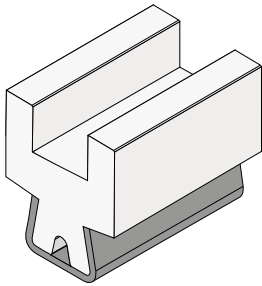
Stainless steel profile thickness: 1,9 mm



Article-Nr.	Material	Availability	Supply
18460BC	<b>BluLub</b>	On request	3 m bars
18463	<b>Ti-White</b>	On request	3 m bars
18463BLC	Blue	On request	3 m bars

## 145 Guida conica / Guide rail / Konische Führung

Stainless steel profile thickness: 1,5 mm

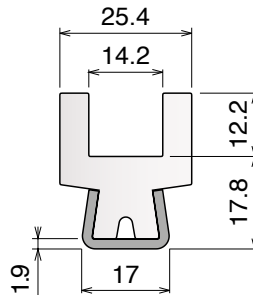
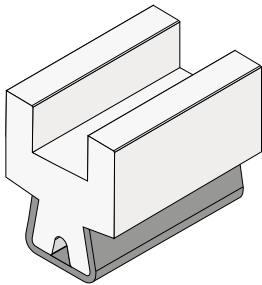


Article-Nr.	Material	Availability	Supply
14503C	<b>BluLub</b>	On request	3 m bars
14504C	<b>Ti-White</b>	On request	3 m bars
14505C	Blue	On request	3 m bars

Bendable profile, generally used with sideflexing belt 600 series.

*Example of application*

Stainless steel profile thickness: 1,9 mm



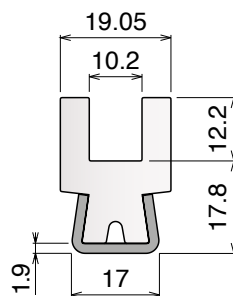
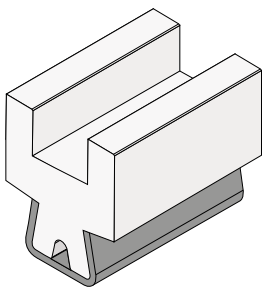
Article-Nr.	Material	Availability	Supply
14563	<b>BluLub</b>	On request	3 m bars
14564	<b>Ti-White</b>	On request	3 m bars
14565	Blue	On request	3 m bars

Bendable profile, generally used with modular belts with 8,7 mm height.

*Example of application*

## NEW 1087 Guida conica / Guide rail / Konische Führung

Stainless steel profile thickness: 1,9 mm



Article-Nr.	Material	Availability	Supply
108763	<b>BluLub</b>	On request	3 m bars
108764	<b>Ti-White</b>	On request	3 m bars
108765	Blue	On request	3 m bars

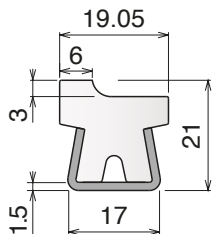
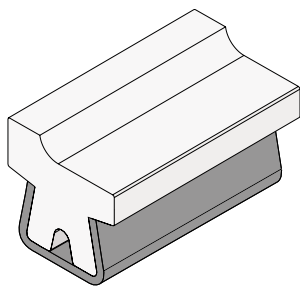
Bendable profile, generally used with modular belts with 8,7 mm height.

*Example of application*

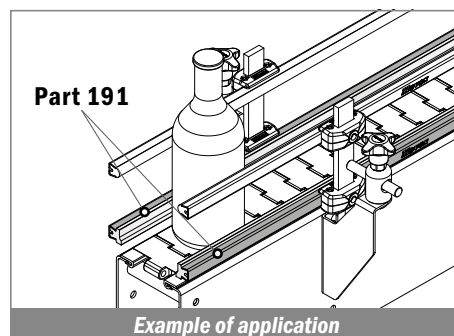
**Materiale / Material / Materialien:**  
 Profilo metallico: Acciaio inox AISI 304  
 Metal profile: Stainless steel AISI 304  
 Metallprofil: Edelstahl AISI 304

## 191 Guida conica / Guide rail / Konische Führung

Stainless steel profile thickness: 1,5 mm

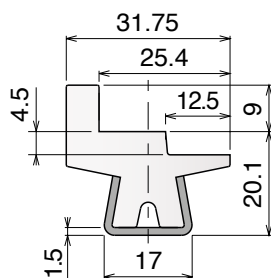
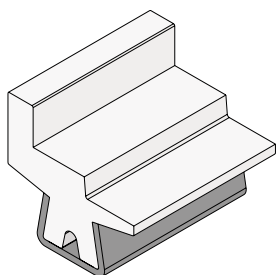


Article-Nr.	Material	Availability	Supply
19100BC	BluLub	On request	3 m bars
19101C	Ti-White	Stock item	3 m bars
19105C	Blue	On request	3 m bars

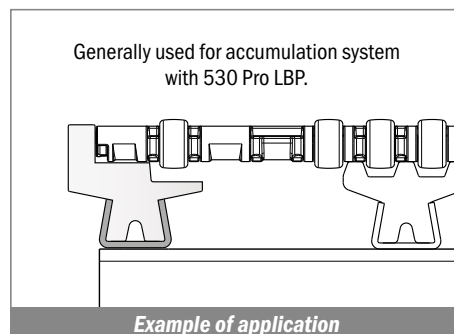


## NEW 126 Guida conica / Guide rail / Konische Führung

Stainless steel profile thickness: 1,5 mm

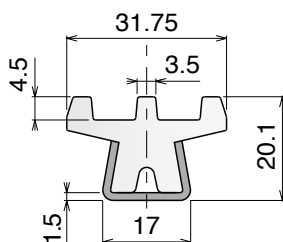
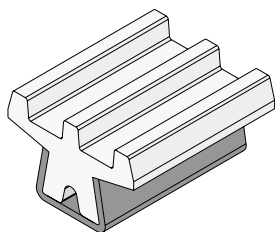


Article-Nr.	Material	Availability	Supply
12600BC	BluLub	On request	3 m bars
12601C	Ti-White	On request	3 m bars
12605C	Blue	On request	3 m bars

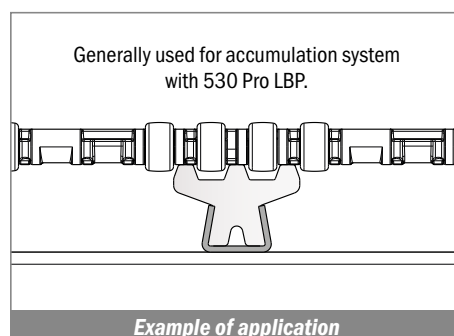


## NEW 127 Guida conica / Guide rail / Konische Führung

Stainless steel profile thickness: 1,5 mm

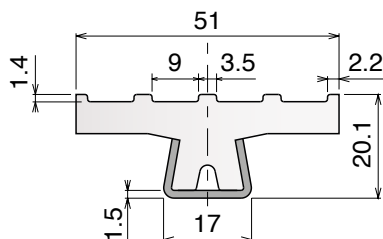
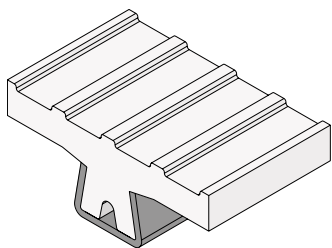


Article-Nr.	Material	Availability	Supply
12700BC	BluLub	On request	3 m bars
12701C	Ti-White	On request	3 m bars
12705C	Blue	On request	3 m bars



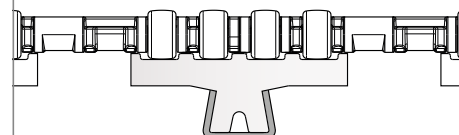
## NEW 128 Guida conica / Guide rail / Konische Führung

Stainless steel profile thickness: 1,5 mm



Article-Nr.	Material	Availability	Supply
<b>12800BC</b>	<b>BluLub</b>	On request	3 m bars
<b>12801C</b>	<b>Ti-White</b>	On request	3 m bars
<b>12805C</b>	Blue	On request	3 m bars

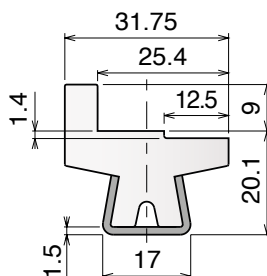
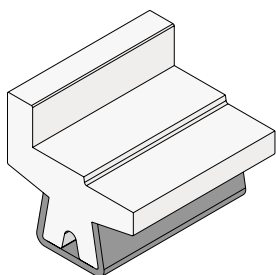
Generally used for driven rollers, for alignment/distribution system with 530 Pro LBP.



Example of application

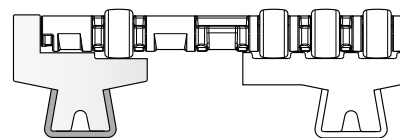
## NEW 129 Guida conica / Guide rail / Konische Führung

Stainless steel profile thickness: 1,5 mm



Article-Nr.	Material	Availability	Supply
<b>12900BC</b>	<b>BluLub</b>	On request	3 m bars
<b>12901C</b>	<b>Ti-White</b>	On request	3 m bars
<b>12905C</b>	Blue	On request	3 m bars

Generally used for driven rollers, for alignment/distribution system with 530 Pro LBP.



Example of application

## 198-199

### Macchina curvatrice / Bending machine / Biegemaschine

Delivery: **Easy** **Standard**



#### **NEW** Electric Bending machine

Article-Nr. **19848**

Dimension base: 665 x 740 mm  
 Height: 1400 mm  
 Approximate weight: 170 Kg  
 Shafts diameter: 30 mm  
 Rolls diameter: 137 mm  
 Geared motor: HP 1  
 Shafts speed: 9 RPM  
 Steel frame  
 Two forming rolls  
 Steel shafts in special steel

#### Manual Bending machine

Article-Nr. **19999**

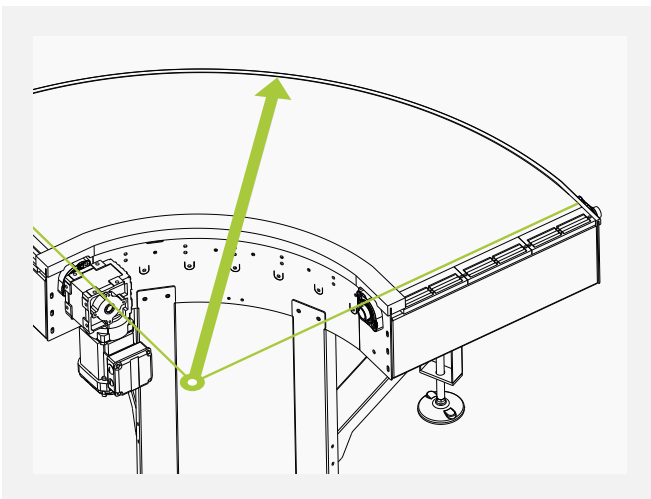


Dimension: 570 x 260 mm  
 Approximate weight: 19 Kg  
 Shafts diameter: 25 mm

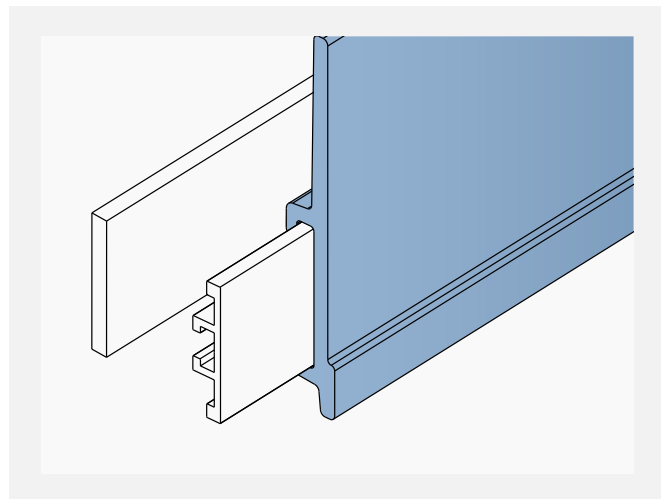
Height: 180 mm  
 Steel frame

**To achieve the correct curvature please follow below steps:**

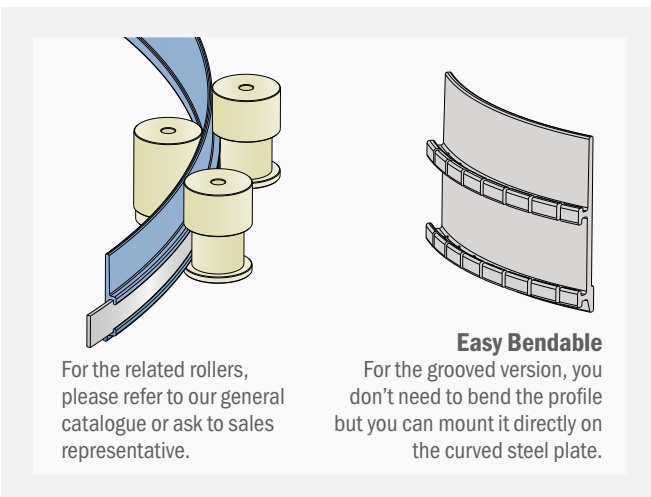
#### 1 | Identify correct curve radius angle



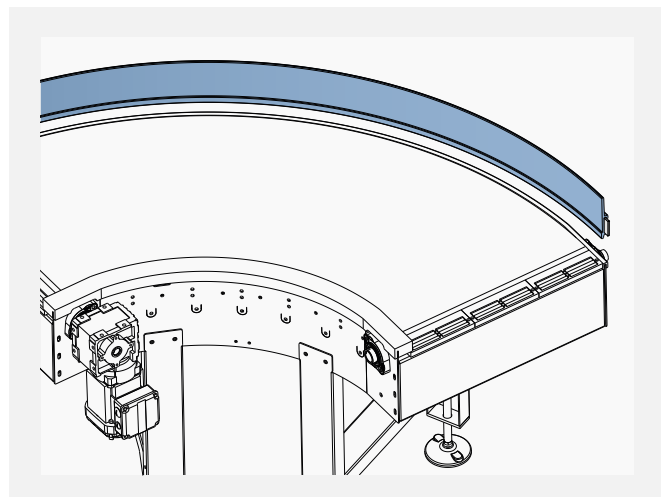
#### 2 | Insert the plate into the profile



#### 3 | Bend assembled profile



#### 4 | Assemble the curved profile on the line



\*For narrower profiles, bending operation can be done directly on the line, by hand.

**Material:**

Polyethylene UHMW-PE with molecular density 5,600,000 g/mol  
 Linear expansion coefficient:  $1.1 \times 10^{-4} \text{ } ^\circ\text{F}^{-1}$  ( $2 \times 10^{-4} \text{ } ^\circ\text{C}^{-1}$ )  
 Operating temperature: -40 to 176°F (-40 to +80°C)

## 151

### Rulli per macchina curvatrice / Roller for bending machine / Rollen für Biegemaschine

Ø 25 mm Manual bending machine

Ø 30 mm Electric bending machine

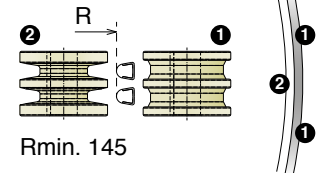
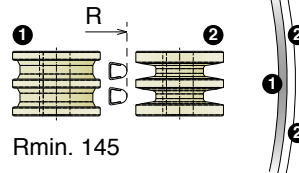


Internal curve

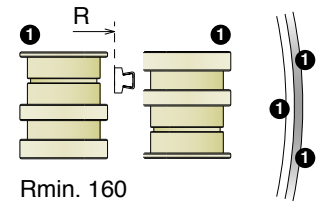
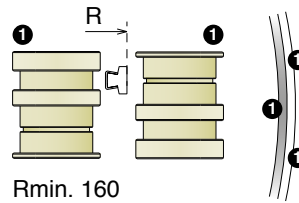
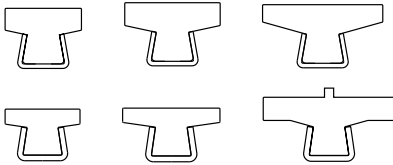


External curve

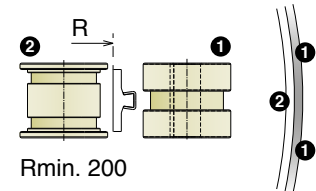
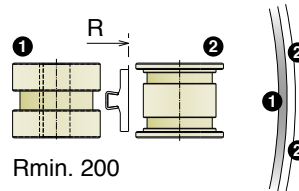
Article-Nr.	Ø (mm)	Suitable for Part.
15101	25	119 - 120 - 121 - 152
15101E	30	119 - 120 - 121 - 152



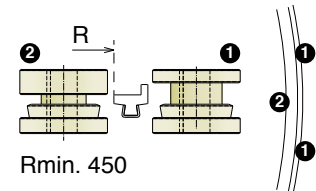
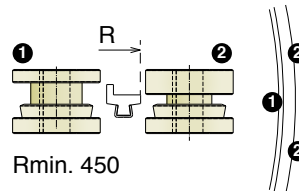
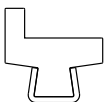
Article-Nr.	Ø (mm)	Suitable for Part.
15102	25	122 - 123 - 124 - 142 - 140 - 146
15102E	30	122 - 123 - 124 - 142 - 140 - 146



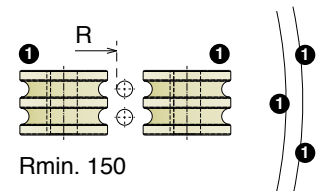
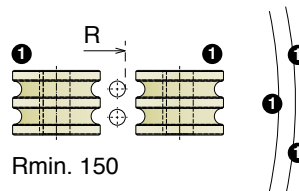
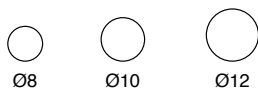
Article-Nr.	Ø (mm)	Suitable for Part.
15103	25	141
15103E	30	141



Article-Nr.	Ø (mm)	Suitable for Part.
15104	25	144
15104E	30	144



Article-Nr.	Ø (mm)	Suitable for Part.
15105	25	Ø8 - Ø10 - Ø12
15105E	30	Ø8 - Ø10 - Ø12





**Material:**

Polyethylene UHMW-PE with molecular density 5,600,000 g/mol  
 Linear expansion coefficient:  $1.1 \times 10^{-4} \text{ } ^\circ\text{F}^{-1}$  ( $2 \times 10^{-4} \text{ } ^\circ\text{C}^{-1}$ )  
 Operating temperature: -40 to 176°F (-40 to +80°C)

151

Rulli per macchina curvatrice / Roller for bending machine / Rollen für Biegemaschine

Ø 25 mm Manual bending machine

Ø 30 mm Electric bending machine

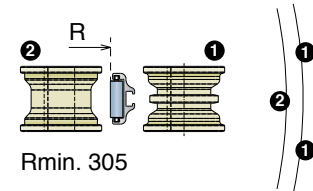
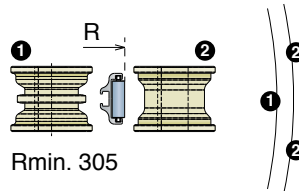


Internal curve

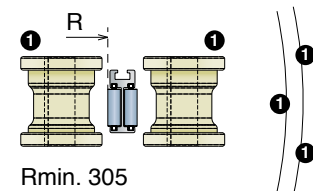
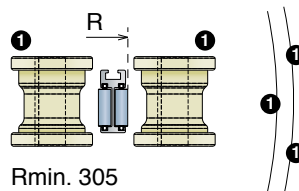
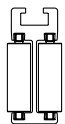


External curve

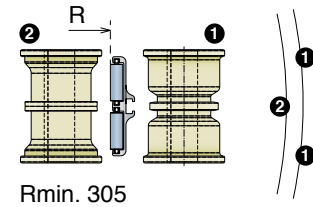
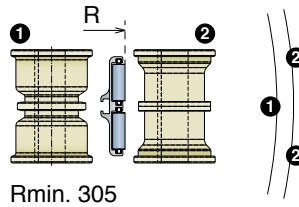
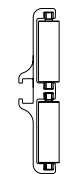
Article-Nr.	Ø (mm)	Suitable for Part.
15109	25	358
15109E	30	358



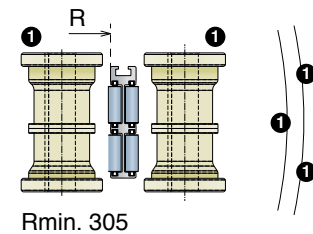
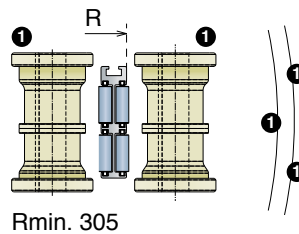
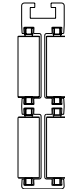
Article-Nr.	Ø (mm)	Suitable for Part.
15110	25	360
15110E	30	360



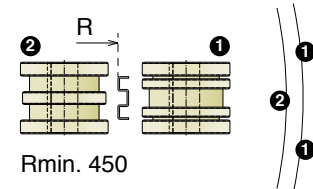
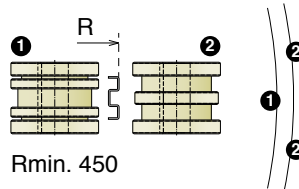
Article-Nr.	Ø (mm)	Suitable for Part.
15106	25	359
15106E	30	359



Article-Nr.	Ø (mm)	Suitable for Part.
15107	25	361
15107E	30	361



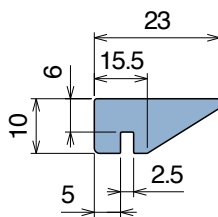
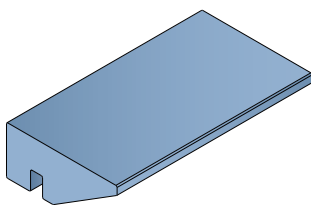
Article-Nr.	Ø (mm)	Suitable for Part.
15108	25	117
15108E	30	117



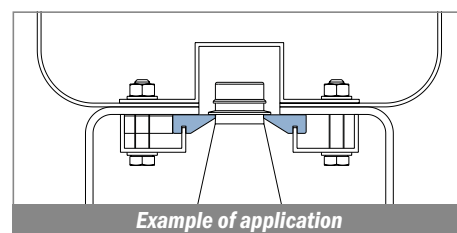
## 170

### Guida collo / Neck guide / Nackenführung

Delivery: **Easy** **Standard** Fit on 2,5 mm



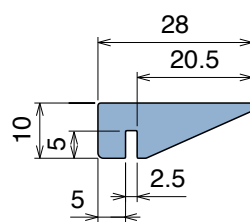
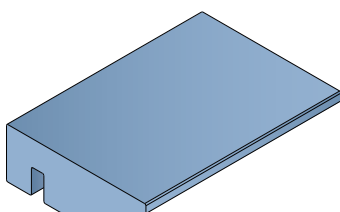
Article-Nr.	Material	Availability	Supply
17001B	BluLub	Stock item	3 m bars
17002B	BluLub	Stock item	6 m bars
17000B	BluLub	Stock item	30 m coils
17001	Ti-White	On request	3 m bars
17002	Ti-White	On request	6 m bars
17000	Ti-White	On request	30 m coils
17005C	Blue	On request	3 m bars
17005	Blue	On request	6 m bars
17005-30	Blue	On request	30 m coils



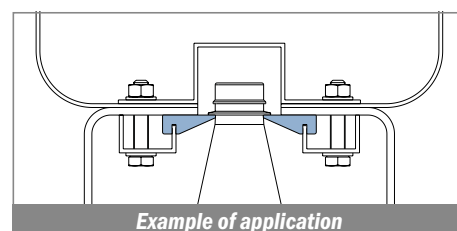
## 168

### Guida collo / Neck guide / Nackenführung

Delivery: **Easy** **Standard** Fit on 2,5 mm



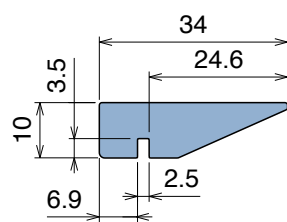
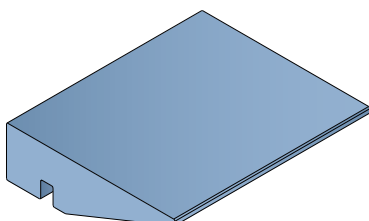
Article-Nr.	Material	Availability	Supply
16801B	BluLub	Stock item	3 m bars
16802B	BluLub	On request	6 m bars
16800B	BluLub	Stock item	30 m coils
16801	Ti-White	On request	3 m bars
16802	Ti-White	On request	6 m bars
16800	Ti-White	On request	30 m coils
16805C	Blue	On request	3 m bars
16805	Blue	On request	6 m bars
16805-30	Blue	On request	30 m coils



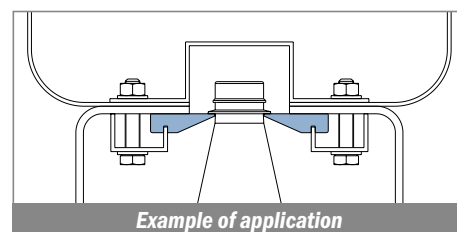
## 169

### Guida collo / Neck guide / Nackenführung

Delivery: **Easy** **Standard** Fit on 2,5 mm

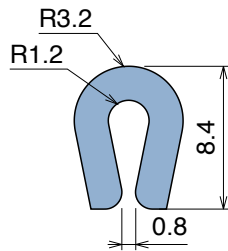
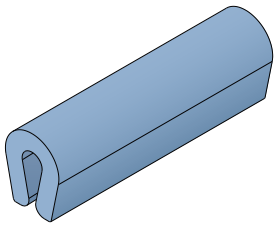


Article-Nr.	Material	Availability	Supply
16901B	BluLub	Stock item	3 m bars
16902B	BluLub	On request	6 m bars
16900B	BluLub	Stock item	30 m coils
16901	Ti-White	On request	3 m bars
16902	Ti-White	On request	6 m bars
16900	Ti-White	On request	30 m coils
16905C	Blue	On request	3 m bars
16905	Blue	On request	6 m bars
16905-30	Blue	On request	30 m coils

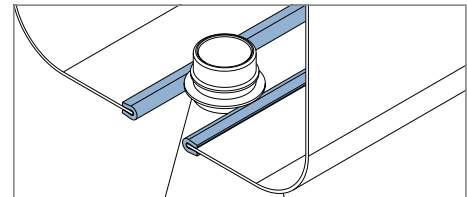


## 167 Guida collo / Neck guide / Nackenführung

Delivery: **Easy** **Standard** Fit on 1.8 - 2 mm



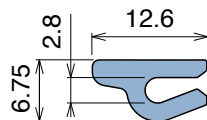
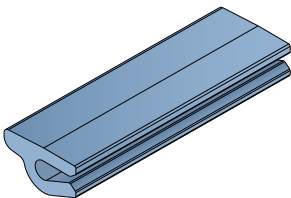
Article-Nr.	Material	Availability	Supply
16700BC	BluLub	Stock item	3 m bars
16700B	BluLub	On request	6 m bars
16700B-30	BluLub	Stock item	30 m coils
16700C	Ti-White	On request	3 m bars
16700	Ti-White	On request	6 m bars
16700-30	Ti-White	On request	30 m coils
16705C	Blue	On request	3 m bars
16705	Blue	On request	6 m bars
16705-30	Blue	On request	30 m coils



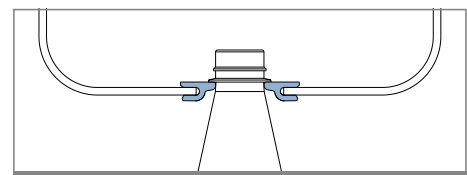
Example of application

## 192 Guida collo / Neck guide / Nackenführung

Delivery: **Easy** **Standard** Fit on 1.8 - 2 mm



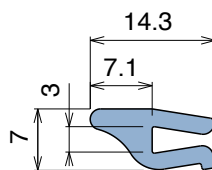
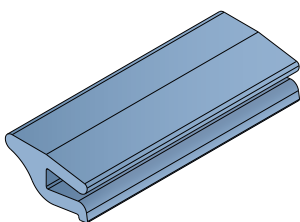
Article-Nr.	Material	Availability	Supply
19200B	BluLub	Stock item	30 m coils
19200	Ti-White	On request	30 m coils
19205	Blue	On request	30 m coils



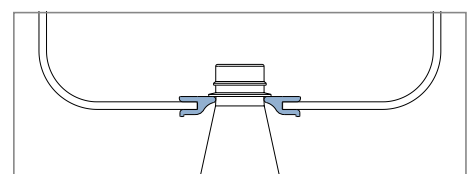
Example of application

## 1062 Guida collo / Neck guide / Nackenführung

Delivery: **Easy** **Standard** Fit on 1.8 - 2 mm



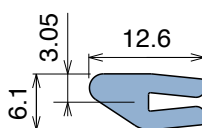
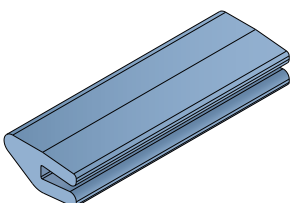
Article-Nr.	Material	Availability	Supply
106200B	BluLub	Stock item	30 m coils
106200	Ti-White	On request	30 m coils
106205	Blue	On request	30 m coils



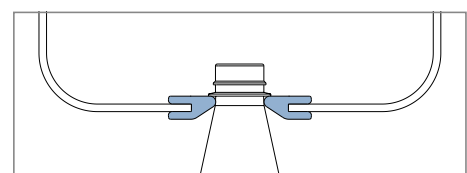
Example of application

## 1072 Guida collo / Neck guide / Nackenführung

Delivery: **Easy** **Standard** Fit on 1.8 - 2 mm



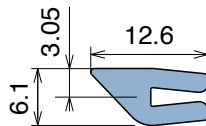
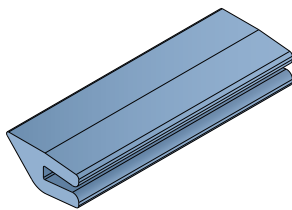
Article-Nr.	Material	Availability	Supply
107200B	BluLub	Stock item	30 m coils
107200	Ti-White	On request	30 m coils
107205	Blue	On request	30 m coils



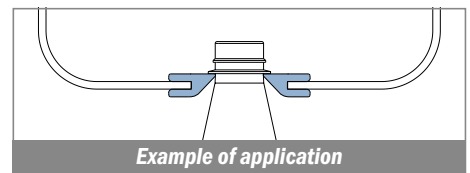
Example of application

## 1073 Guida collo / Neck guide / Nackenführung

Delivery: **Easy** **Standard** Fit on 1.8 - 2 mm

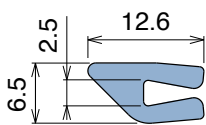
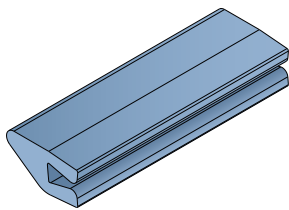


Article-Nr.	Material	Availability	Supply
107300B	BluLub	Stock item	30 m coils
107300	Ti-White	On request	30 m coils
107305	Blue	On request	30 m coils

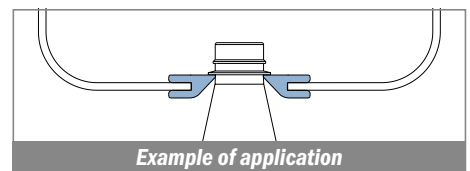


## NEW 1076 Guida collo / Neck guide / Nackenführung

Delivery: **Easy** **Standard** Fit on 1.8 - 2 mm

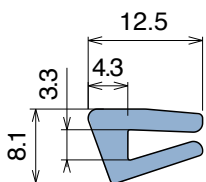
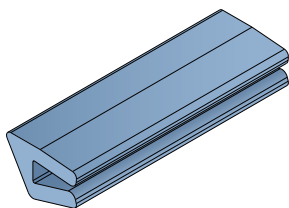


Article-Nr.	Material	Availability	Supply
107600B	BluLub	Stock item	30 m coils
107600	Ti-White	On request	30 m coils
107605	Blue	On request	30 m coils

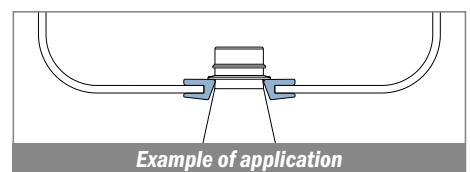


## 1037 Guida collo / Neck guide / Nackenführung

Delivery: **Easy** **Standard** Fit on 3 mm

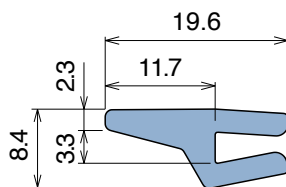
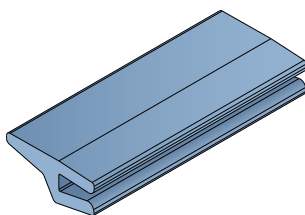


Article-Nr.	Material	Availability	Supply
103700B	BluLub	Stock item	30 m coils
103700	Ti-White	On request	30 m coils
103705	Blue	On request	30 m coils

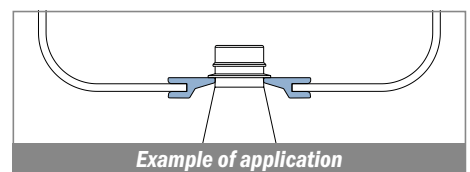


## 171 Guida collo / Neck guide / Nackenführung

Delivery: **Easy** **Standard** Fit on 3 mm

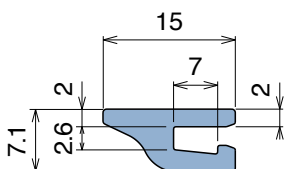
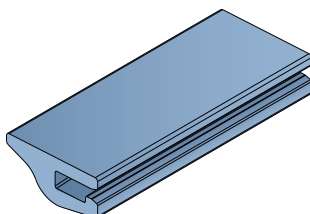


Article-Nr.	Material	Availability	Supply
17100B	BluLub	Stock item	30 m coils
17100	Ti-White	On request	30 m coils
17105	Blue	On request	30 m coils

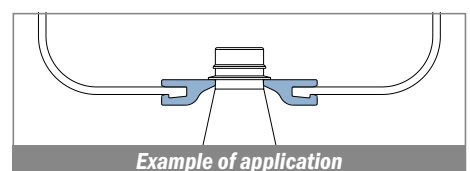


## 172 Guida collo / Neck guide / Nackenführung

Delivery: **Easy** **Standard** Fit on 3 mm



Article-Nr.	Material	Availability	Supply
17200B	BluLub	Stock item	30 m coils
17200	Ti-White	On request	30 m coils
17205	Blue	On request	30 m coils

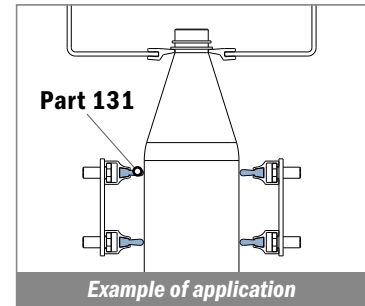
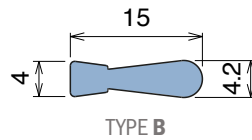
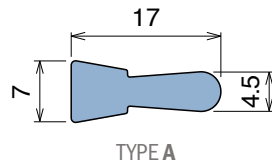
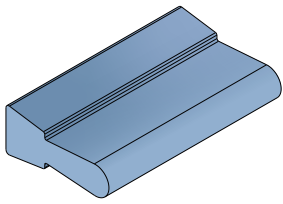


## 131

### Profilo guida bottiglia / Plastic rail for bottle guide / Flaschenführungs Profil

Delivery: **Easy** **Standard**

Article-Nr.	Type	Material	Availability	Supply
13101B	A	BluLub	Stock item	30 m coils
13102B	B	BluLub	Stock item	30 m coils
13106	A	Ti-White	On request	30 m coils
13107	B	Ti-White	On request	30 m coils
13108	A	Blue	On request	30 m coils
13109	B	Blue	On request	30 m coils
13101	A	Grey	Stock item	30 m coils
13102	B	Grey	Stock item	30 m coils

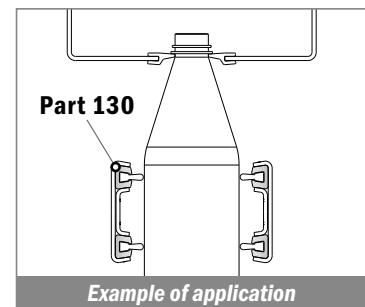
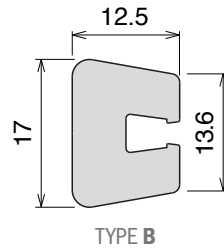
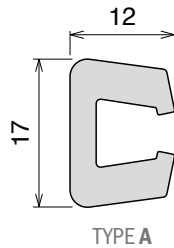
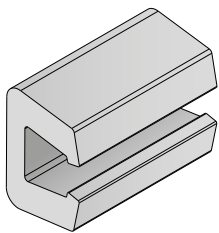


## 130

### Profilo in alluminio / Aluminum rail / Aluminium Profil

Delivery: **Easy** **Standard**

Article-Nr.	Type	Availability	Supply
13001C	A	Stock item	3 m bars
13001	A	On request	6 m bars
13002C	B	On request	3 m bars

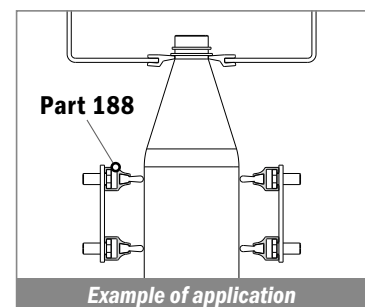
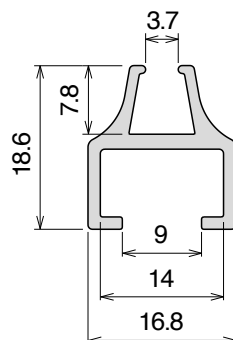
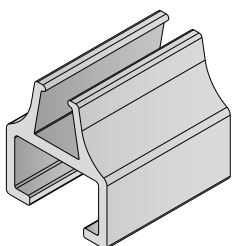


## 188

### Profilo in alluminio / Aluminum rail / Aluminium Profil

Delivery: **Easy** **Standard**

Article-Nr.	Availability	Supply
18801C	Stock item	3 m bars
18801	Stock item	6 m bars



Used with  
**Part 362** Pag 493  
 and **Part 1097** Pag 510



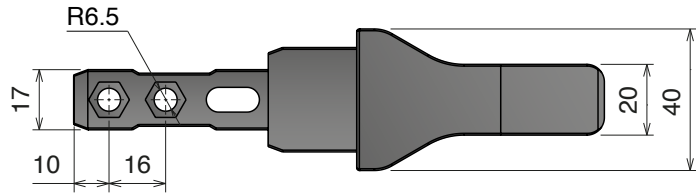
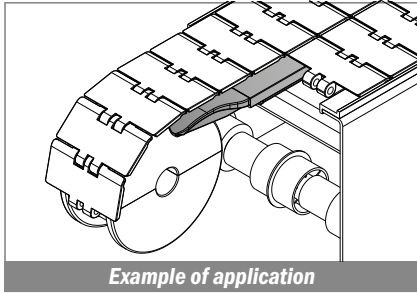
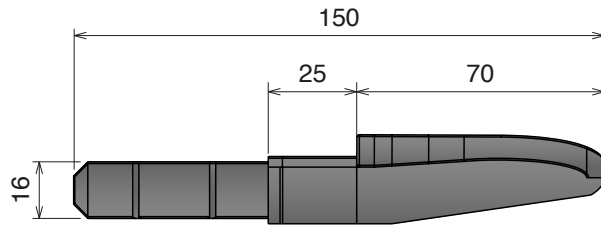
## 113

### Pattino guida catena, centrale / Central wear strip shoe / Zentraler Einlaufschuh

Delivery: **Easy** **Standard** Used with Part 112 Pag 373

Article-Nr.	Colour	Availability
-------------	--------	--------------

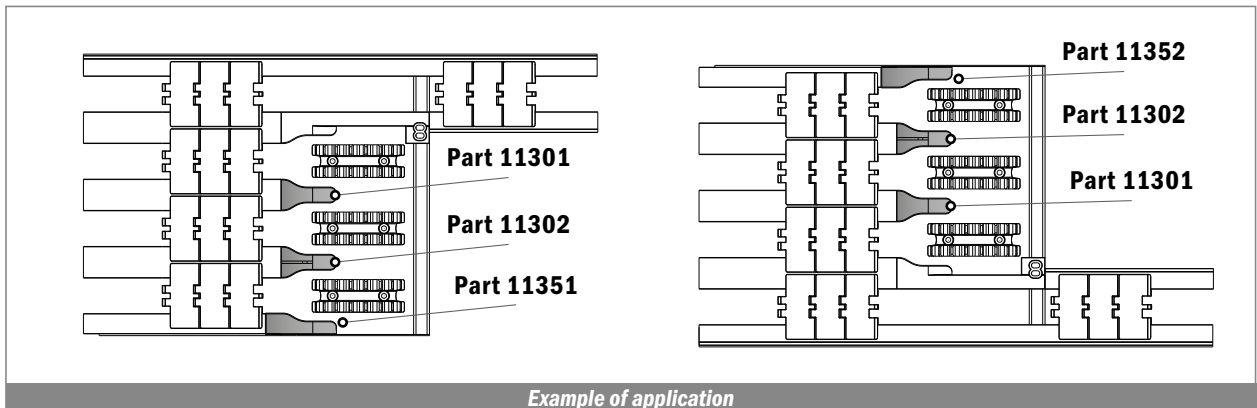
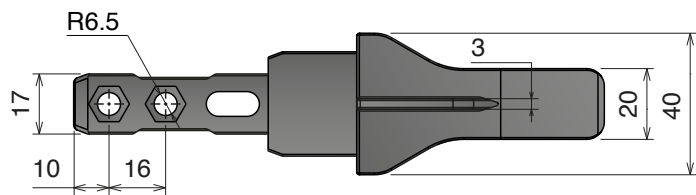
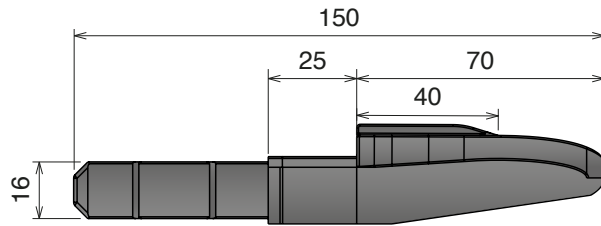
11301	Black	On request
-------	-------	------------



### CON NERVATURA / WITH NOSE / MIT NASE

Article-Nr.	Colour	Availability
-------------	--------	--------------

11302	Black	On request
-------	-------	------------



**Materiale / Material / Materialien:**  
 Poliammide rinforzato  
 Polyamide reinforced  
 Verstärktes Polyamid

NEW

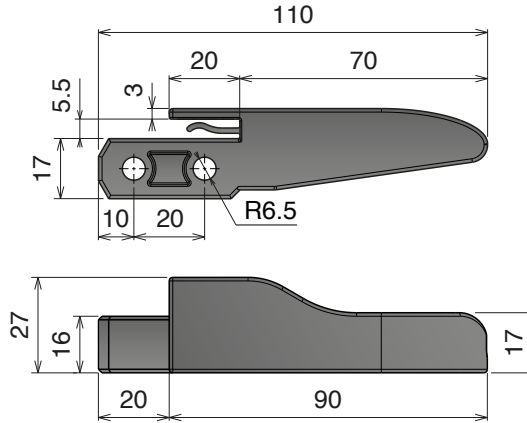
## 113

### Pattino guida catena, laterale / Lateral wear strip shoe / Seitlicher Einlaufschuh

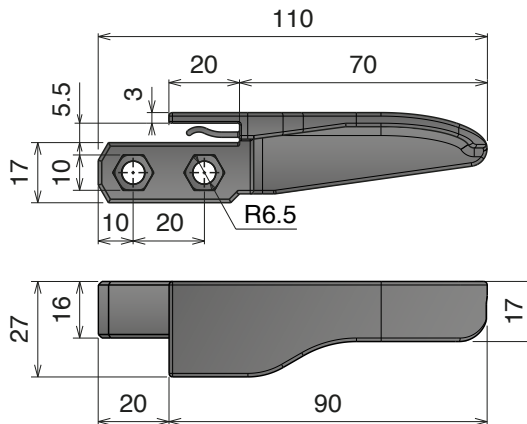
Delivery: **Easy** **Standard**

Article-Nr.	Colour	Availability
11351	Black	On request

VERSION LEFT



VERSION RIGHT



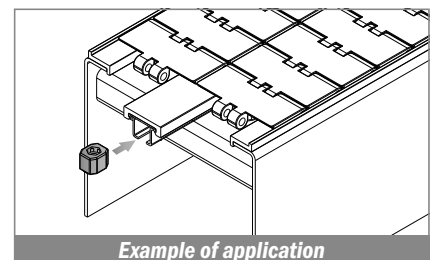
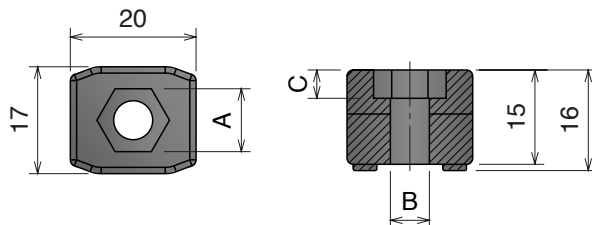
Article-Nr.	Colour	Availability
11352	Black	On request

## 114

### Blocchetto fissaggio / Fixing clamp / Fixierblock

Delivery: **Easy** **Standard** Used with Part 112 Pag 373

Article-Nr.	A	B	C	Colour	Availability
11401	10	6,2	4,5	Black	On request
11402	13	8,2	6	Black	On request



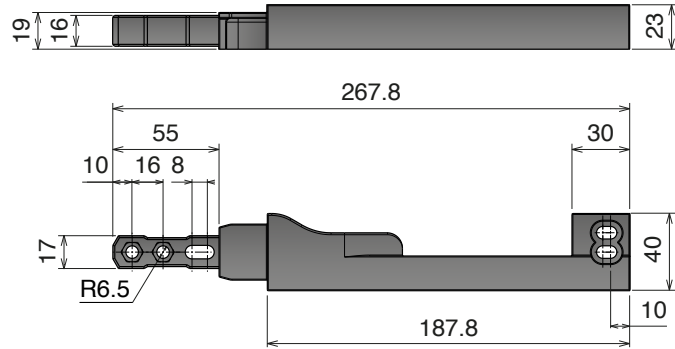
**NEW 116**

**Pattino guida catena, laterale / Side transfer guide shoe / Seitlicher Transfer Schuh**

Delivery: **Easy** **Standard** Used with Part 112 Pag 373

Article-Nr.	Colour	Availability
<b>11651</b>	Black	On request

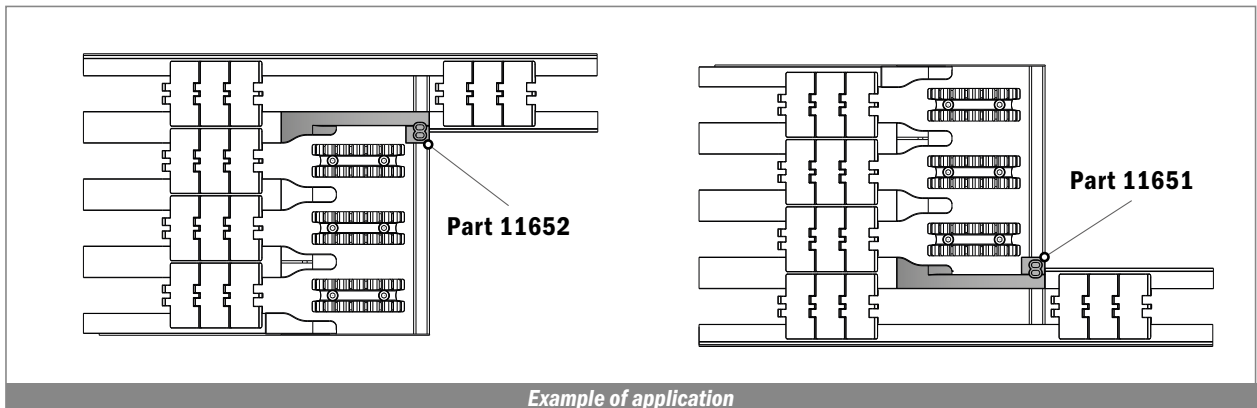
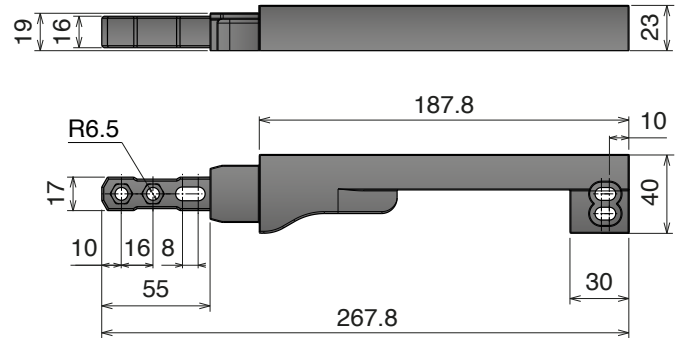
VERSION LEFT



VERSION RIGHT



Article-Nr.	Colour	Availability
<b>11652</b>	Black	On request





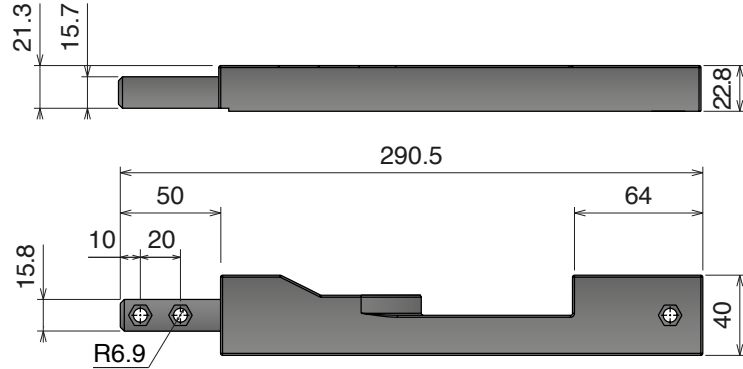
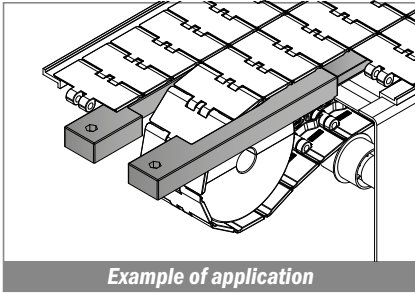
**Materiale / Material / Materialien:**  
 Poliammide rinforzato  
 Polyamide reinforced  
 Verstärktes Polyamid

## 116 Pattino guida catena, laterale / Side transfer guide shoe / Seitlicher Tranferschuh

Delivery: **Easy** **Standard** Used with Part 112 Pag 373

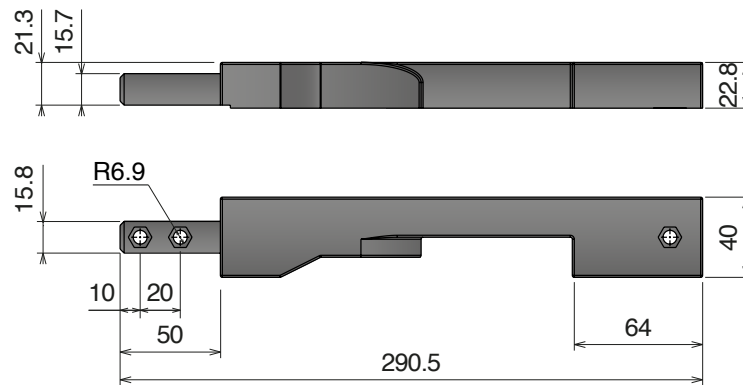
Article-Nr.	Colour	Availability
11601	Black	On request

VERSION LEFT



VERSION RIGHT

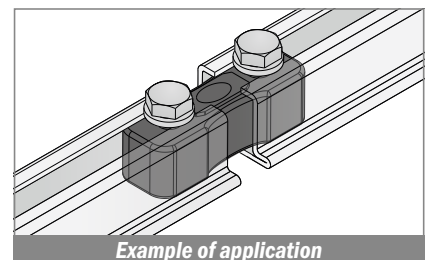
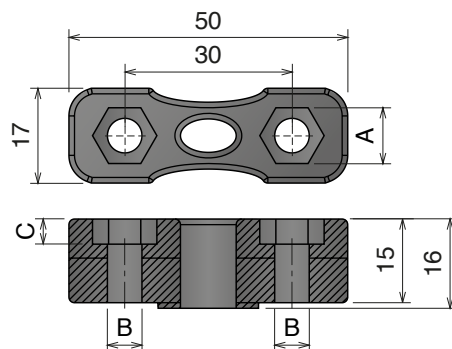
Article-Nr.	Colour	Availability
11602	Black	On request

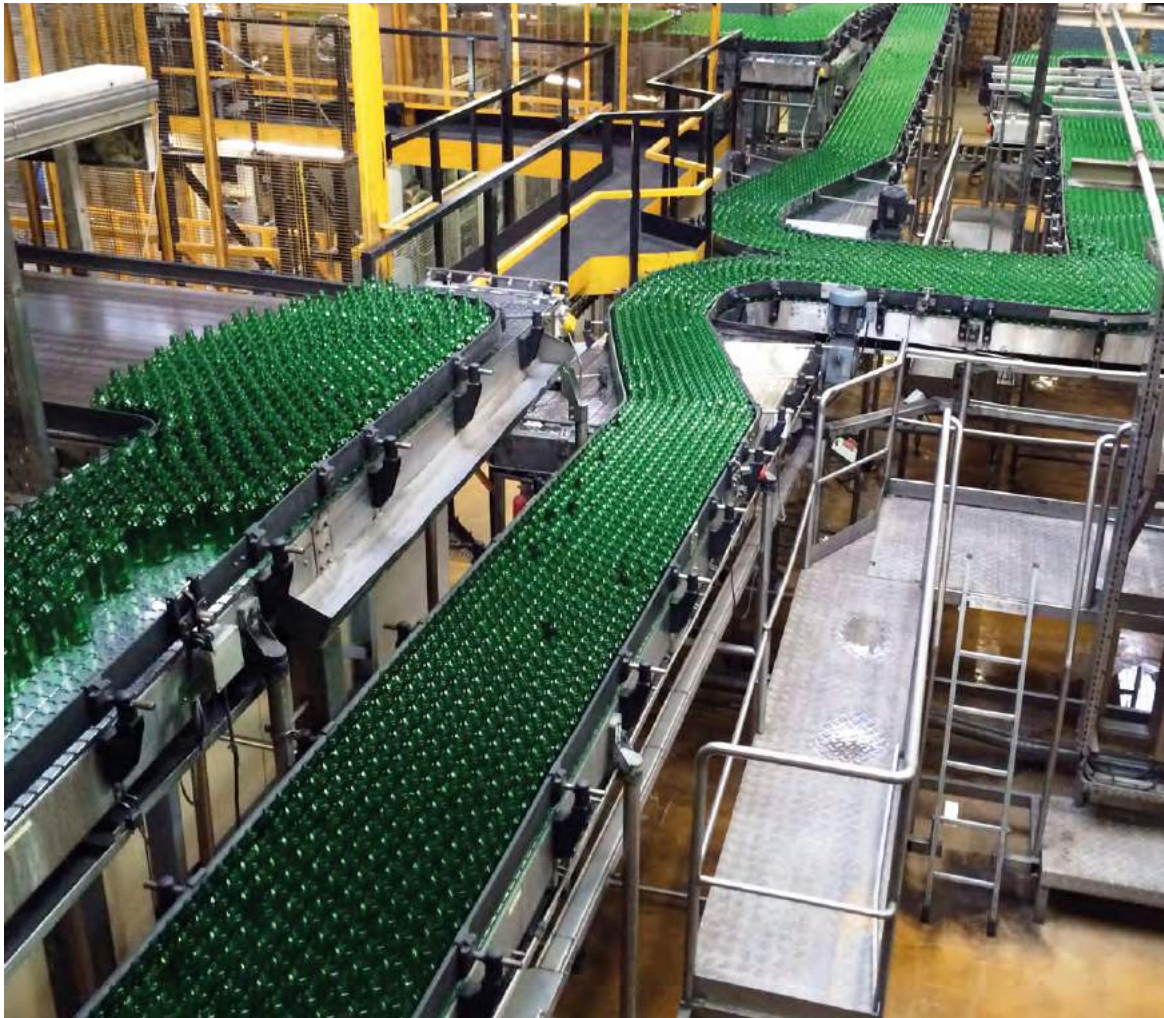


## 115 Blocchetto giunzione / Connecting element / Verbindungselement

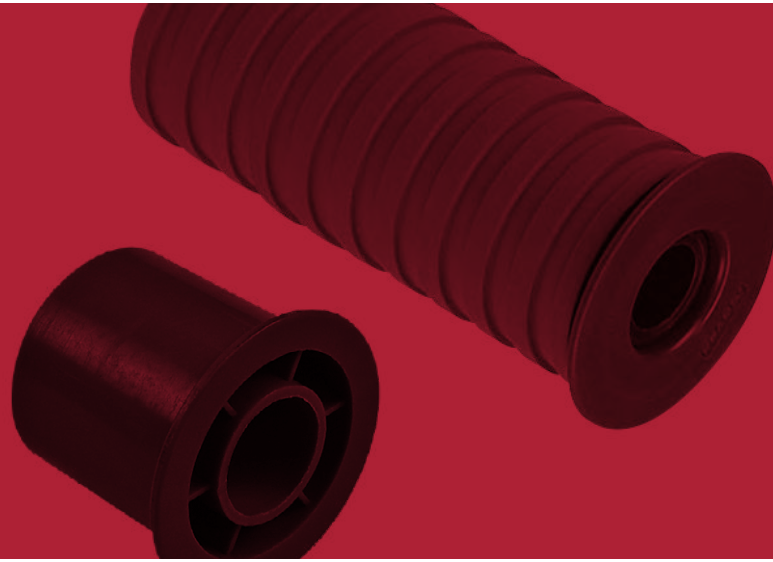
Delivery: **Easy** **Standard** Used with Part 112 Pag 373

Article-Nr.	A	B	C	Colour	Availability
11501	10	6,2	4,5	Black	On request
11502	13	8,2	6	Black	On request





# 435



# Return components

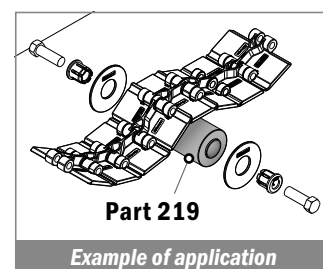
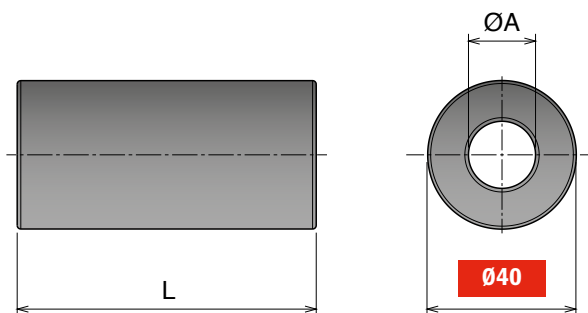
## 219 Rullini di ritorno D=40 mm Return roller D=40 mm / Rückführrolle D=40 mm

**WATERTIGHT**

Delivery: **Easy** **Standard**



Part	Article-Nr.	L	ØA
219	21951	41	16
219	21952	41	18
219	21953	41	20
219	21901	82,5	16
219	21902	82,5	18
219	21903	82,5	20
219	21911	84,5	16
219	21912	84,5	18
219	21913	84,5	20
219	21964	116	12
219	21961	116	16
219	21962	116	18
219	21963	116	20



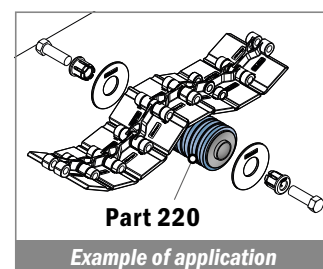
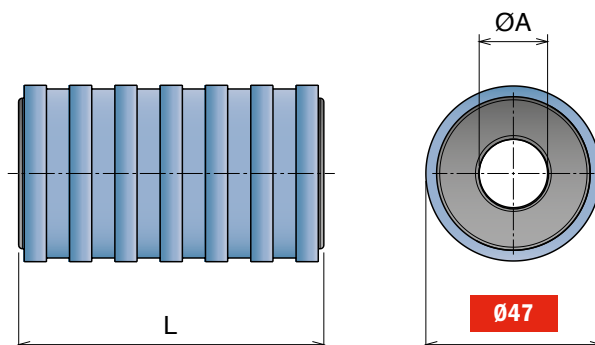
## 220 Rullini di ritorno gommati D=47 mm Return roller with rubber D=47 mm / Rückführrolle gummiert D=47 mm

**WATERTIGHT**

Delivery: **Easy** **Standard**



Part	Article-Nr.	L	ØA
220	22051	41	16
220	22052	41	18
220	22053	41	20
220	22001	82,5	16
220	22002	82,5	18
220	22003	82,5	20
220	22011	84,5	16
220	22012	84,5	18
220	22013	84,5	20
220	22064	116	12
220	22061	116	16
220	22062	116	18
220	22063	116	20

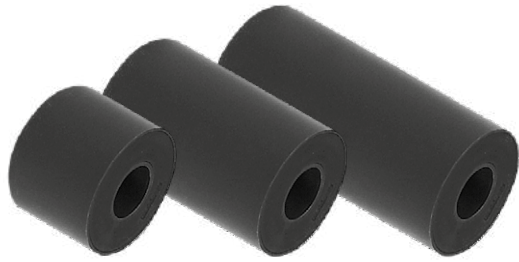


**Materiale / Material / Materialien:**  
 Rullino: Polietilene (PE)/Roller: Polyethylene (PE)  
 Rückführrolle Polyäthylen (PE)  
 Gomma: TPR / Rubber: TPR / Gummi: TPR

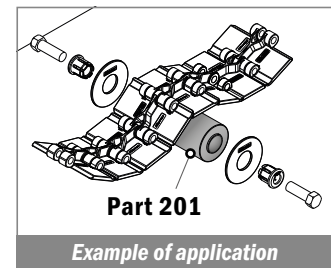
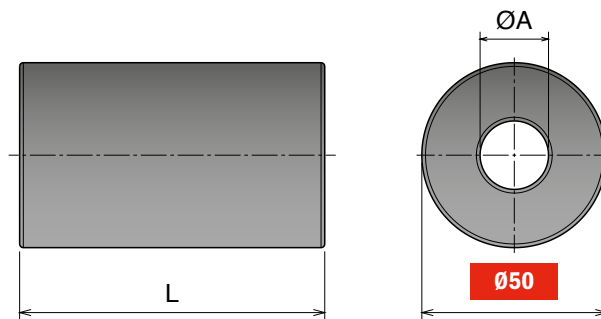
## 201 Rullini di ritorno D=50 mm Return roller D=50 mm / Rückführrolle D=50 mm

**WATERTIGHT**

Delivery: **Easy** **Standard**



Part	Article-Nr.	L	ØA
201	20151	41	16
201	20152	41	18
201	20153	41	20
201	20101	82,5	16
201	20102	82,5	18
201	20103	82,5	20
201	20111	84,5	16
201	20112	84,5	18
201	20113	84,5	20
201	20164	116	12
201	20161	116	16
201	20162	116	18
201	20163	116	20



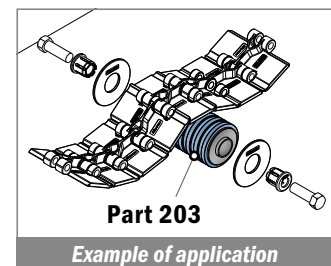
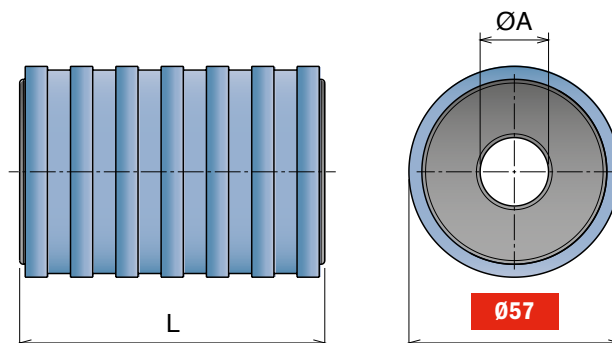
## 203 Rullini di ritorno gommati D=57 mm Return roller with rubber D=57 mm / Rückführrolle gummiert D=57 mm

**WATERTIGHT**

Delivery: **Easy** **Standard**

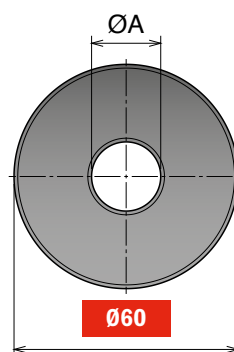
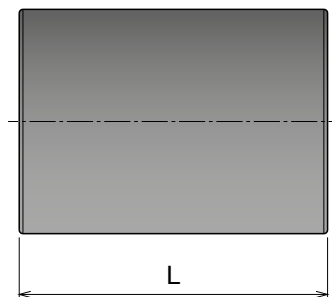
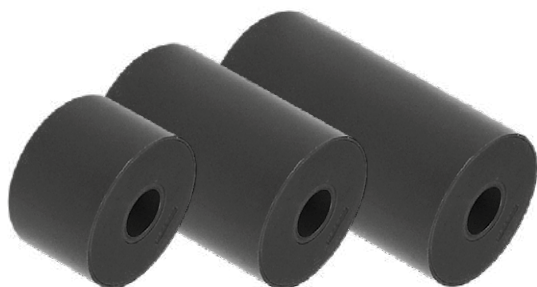


Part	Article-Nr.	L	ØA
203	20351	41	16
203	20352	41	18
203	20353	41	20
203	20301	82,5	16
203	20302	82,5	18
203	20303	82,5	20
203	20311	84,5	16
203	20312	84,5	18
203	20313	84,5	20
203	20364	116	12
203	20361	116	16
203	20362	116	18
203	20363	116	20



## 202 Rullini di ritorno D=60 mm Return roller D=60 mm / Rückführrolle D=60 mm

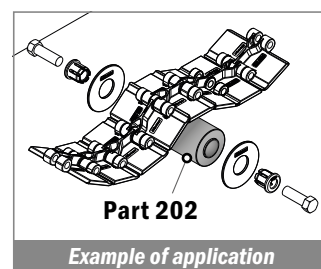
Delivery: **Easy** **Standard**



RANGE EXTENSION

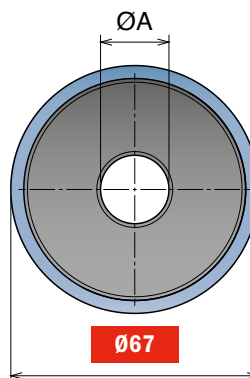
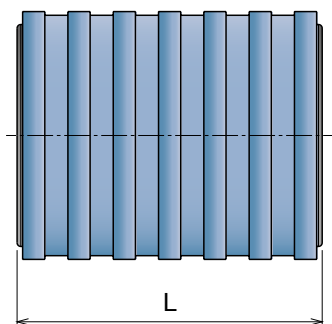
WATERTIGHT

Part	Article-Nr.	L	ØA
202	20251	41	16
202	20252	41	18
202	20253	41	20
202	20201	82,5	16
202	20202	82,5	18
202	20203	82,5	20
202	20211	84,5	16
202	20212	84,5	18
202	20213	84,5	20
202	20264	116	12
202	20261	116	16
202	20262	116	18
202	20263	116	20



## 204 Rullini di ritorno gommati D=67 mm Return roller with rubber D=67 mm / Rückführrolle gummiert D=67 mm

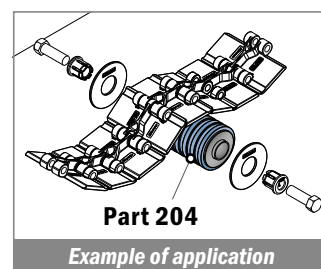
Delivery: **Easy** **Standard**



RANGE EXTENSION

WATERTIGHT

Part	Article-Nr.	L	ØA
204	20451	41	16
204	20452	41	18
204	20453	41	20
204	20401	82,5	16
204	20402	82,5	18
204	20403	82,5	20
204	20411	84,5	16
204	20412	84,5	18
204	20413	84,5	20
204	20464	116	12
204	20461	116	16
204	20462	116	18
204	20463	116	20



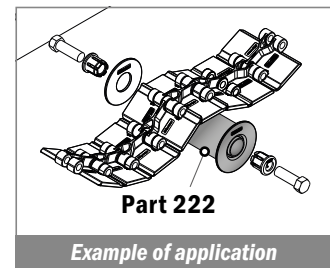
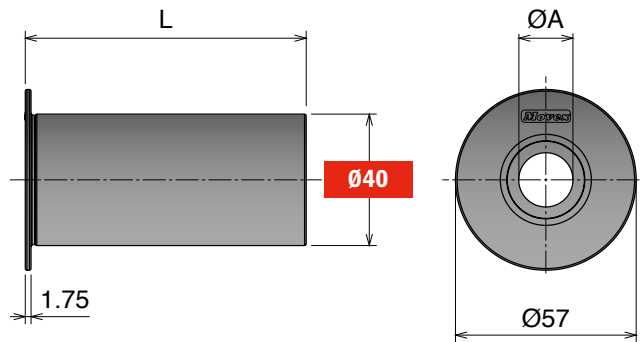
**Materiale / Material / Materialien:**  
 Rullino: Polietilene (PE)/Roller: Polyethylene (PE)  
 Rückführrolle Polyäthylen (PE)  
 Gomma: TPR / Rubber: TPR / Gummi: TPR

## 222 Rullini di ritorno flangiati D=40 mm Return roller with flange D=40 mm / Rückführrolle mit Seitenscheibe D=40 mm

**WATERTIGHT**

Delivery: **Easy** **Standard**

Part	Article-Nr.	L	ØA
222	22251	43	16
222	22252	43	18
222	22253	43	20
222	22201	85,5	16
222	22202	85,5	18
222	22203	85,5	20
222	22211	87,5	16
222	22212	87,5	18
222	22213	87,5	20
222	22264	119	12
222	22261	119	16
222	22262	119	18
222	22263	119	20

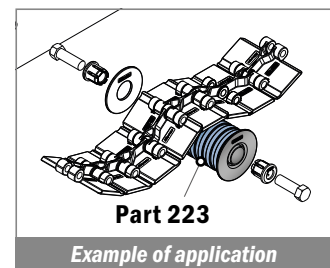
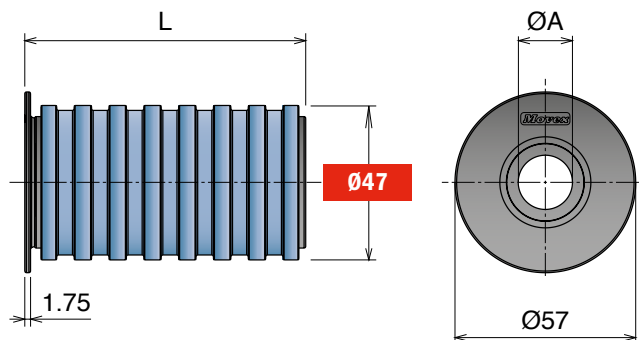


## 223 Rullini di ritorno flangiati gommati D=47 mm Return roller with flange and rubber D=47 mm / Rückführrolle gummiert mit Seitenscheibe D=47 mm

**WATERTIGHT**

Delivery: **Easy** **Standard**

Part	Article-Nr.	L	ØA
223	22351	43	16
223	22352	43	18
223	22353	43	20
223	22301	85,5	16
223	22302	85,5	18
223	22303	85,5	20
223	22311	87,5	16
223	22312	87,5	18
223	22313	87,5	20
223	22364	119	12
223	22361	119	16
223	22362	119	18
223	22363	119	20



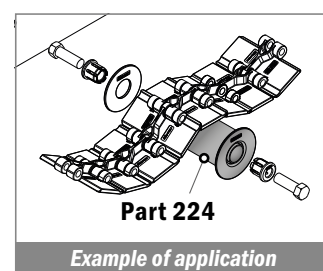
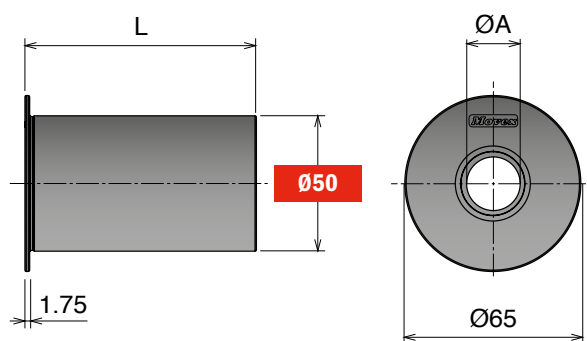
## 224 Rullini di ritorno flangiati D=50 mm Return roller with flange D=50 mm / Rückführrolle mit Seitenscheibe D=50 mm



Delivery: **Easy** **Standard**



Part	Article-Nr.	L	ØA
224	22451	43	16
224	22452	43	18
224	22453	43	20
224	22401	85,5	16
224	22402	85,5	18
224	22403	85,5	20
224	22411	87,5	16
224	22412	87,5	18
224	22413	87,5	20
224	22464	119	12
224	22461	119	16
224	22462	119	18
224	22463	119	20



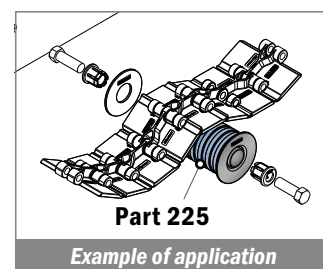
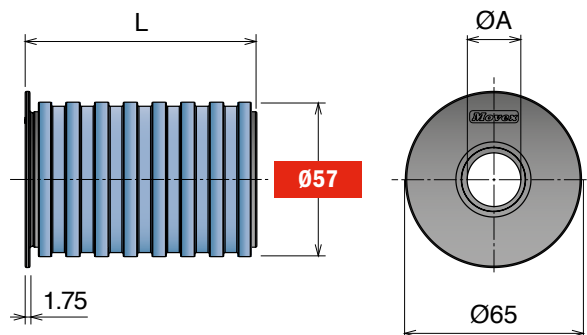
## 225 Rullini di ritorno flangiati gommati D=57 mm Return roller with flange and rubber D=57 mm / Rückführrolle gummiert mit Seitenscheibe D=57 mm



Delivery: **Easy** **Standard**



Part	Article-Nr.	L	ØA
225	22551	43	16
225	22552	43	18
225	22553	43	20
225	22501	85,5	16
225	22502	85,5	18
225	22503	85,5	20
225	22511	87,5	16
225	22512	87,5	18
225	22513	87,5	20
225	22564	119	12
225	22561	119	16
225	22562	119	18
225	22563	119	20





**Materiale / Material / Materialien:**

Rullino: Polietilene (PE)/Roller: Polyethylene (PE)

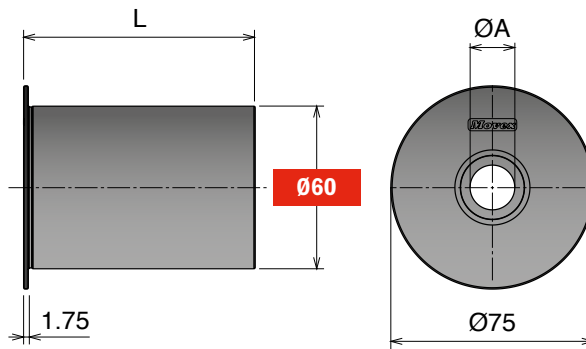
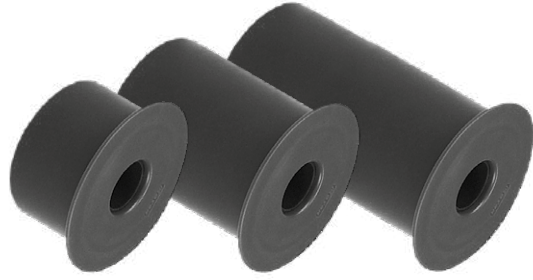
Rückführrolle Polyäthylen (PE)

Gomma: TPR / Rubber: TPR / Gummi: TPR

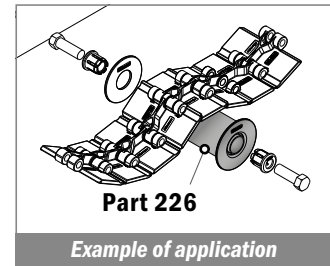
## 226 Rullini di ritorno flangiati D=60 mm Return roller with flange D=60 mm / Rückführrolle mit Seitenscheibe D=60 mm

**WATERTIGHT**

Delivery: **Easy** **Standard**



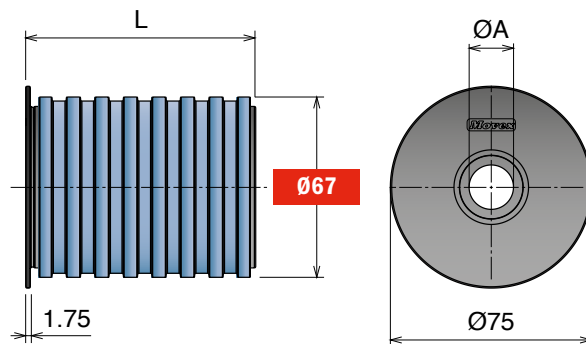
Part	Article-Nr.	L	ØA
226	22651	43	16
226	22652	43	18
226	22653	43	20
226	22601	85,5	16
226	22602	85,5	18
226	22603	85,5	20
226	22611	87,5	16
226	22612	87,5	18
226	22613	87,5	20
226	22664	119	12
226	22661	119	16
226	22662	119	18
226	22663	119	20



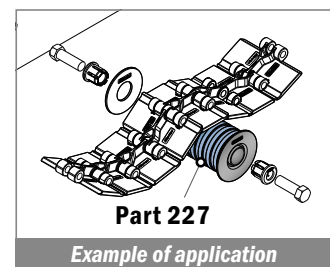
## 227 Rullini di ritorno flangiati gommati D=67 mm Return roller with flange and rubber D=67 mm / Rückführrolle gummiert mit Seitenscheibe D=67 mm

**WATERTIGHT**

Delivery: **Easy** **Standard**

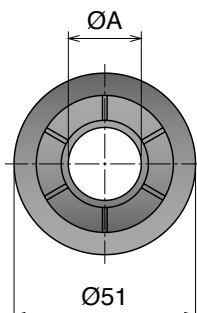
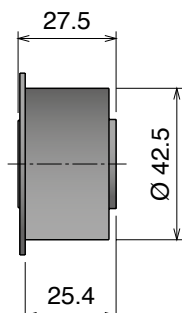


Part	Article-Nr.	L	ØA
227	22751	43	16
227	22752	43	18
227	22753	43	20
227	22701	85,5	16
227	22702	85,5	18
227	22703	85,5	20
227	22711	87,5	16
227	22712	87,5	18
227	22713	87,5	20
227	22764	119	12
227	22761	119	16
227	22762	119	18
227	22763	119	20

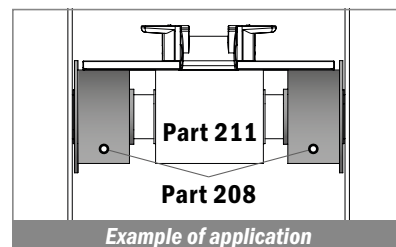


## 208 Rullini di ritorno flangiati D=42.5 mm Return roller with flange D=42.5 mm / Rückföhrröle mit Seitenscheibe D=42.5 mm

Delivery: **Easy** **Standard**

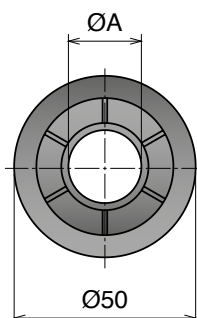
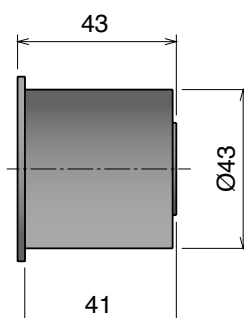


Part	Article-Nr.	ØA
208	20801	16
208	20802	18
208	20803	20

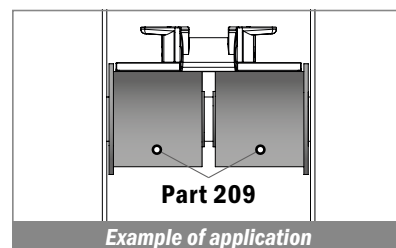


## 209 Rullini di ritorno flangiati D=43 mm Return roller with flange D=43 mm / Rückföhrröle mit Seitenscheibe D=43 mm

Delivery: **Easy** **Standard**

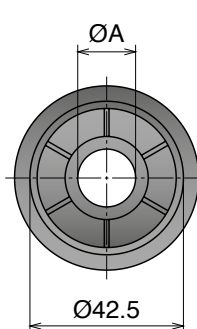
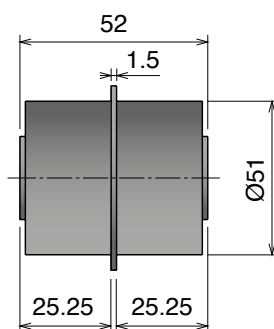


Part	Article-Nr.	ØA
209	20901	16
209	20902	18
209	20903	20

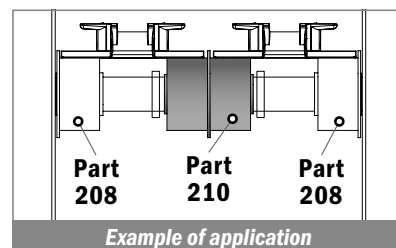


## 210 Rullini doppio di ritorno Double return roller / Doppel- Rücklaufrolle

Delivery: **Easy** **Standard**

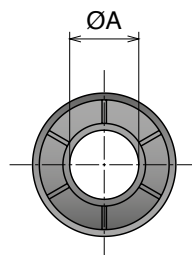
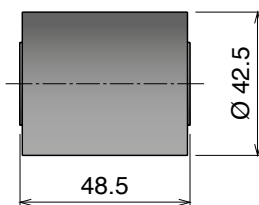


Part	Article-Nr.	ØA
210	21001	16
210	21002	18
210	21003	20

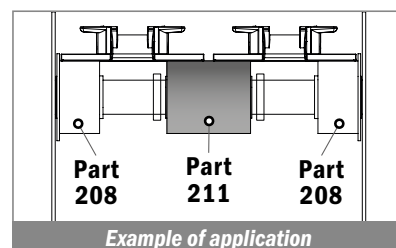


## 211 Rullini di ritorno D=42.5 mm Return roller D=42.5 mm / Rückföhrröle D=42.5 mm

Delivery: **Easy** **Standard**



Part	Article-Nr.	ØA
211	21101	16
211	21102	18
211	21103	20



**Materiale / Material / Materialien:**

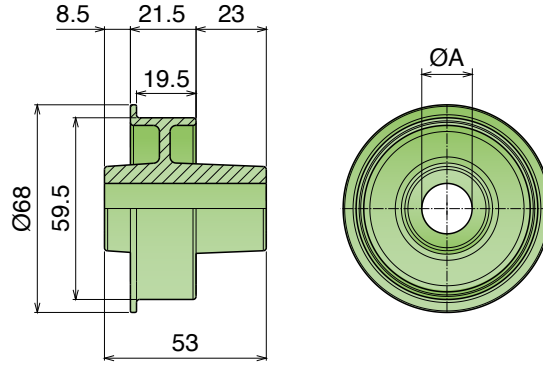
Part. 232: Polietilene (PE) / Polyethylene (PE) / Polyäthylen (PE)

Part. 236/237: Poliammide/Polyamide/Polyamid

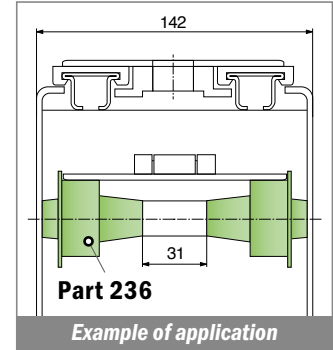
+Gomma NBR/ NBR Rubber/ NBR Gummi

## 232 Rullini di ritorno flangiati Ø68 Return roller with flange Ø68 / Rückführrolle mit Seitenscheibe Ø68

Delivery: **Easy** Standard

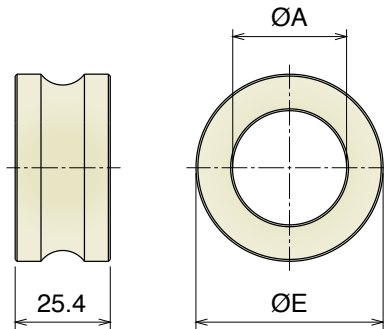


Part	Article-Nr.	ØA
232	23201	15
232	23202	16
232	23203	18
232	23204	20



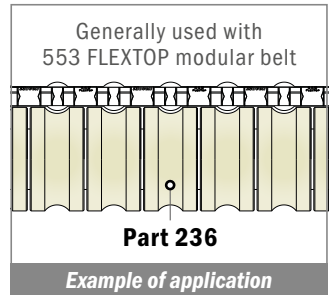
## NEW 236 Rullini di ritorno con scanalatura Return roller with groove / Rückführrolle mit Nut

Delivery: **Easy** Standard



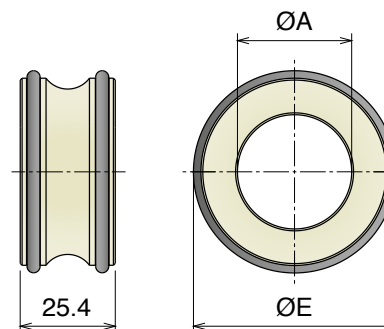
Part	Article-Nr.	ØE	ØA
236	23601	50	25
236	23602	50	30
236	23603	60	25
236	23604	60	30
236	23605	70	25
236	23606	70	30

**Machined**  
High Strength



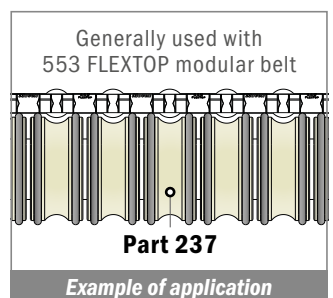
## NEW 237 Rullini di ritorno con scanalatura e O-ring Return roller with groove and O-ring / Rückführrolle mit Nut und O-ring

Delivery: **Easy** Standard



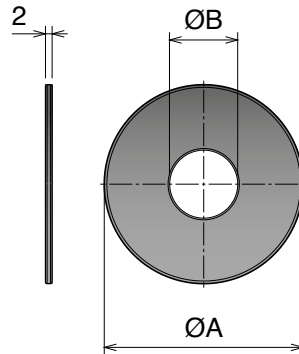
Part	Article-Nr.	ØE	ØA
237	23701	53	25
237	23702	53	30
237	23703	63	25
237	23704	63	30
237	23705	73	25
237	23706	73	30

**Machined**  
High Strength



## 207 Flangia Flange / Seitenscheibe

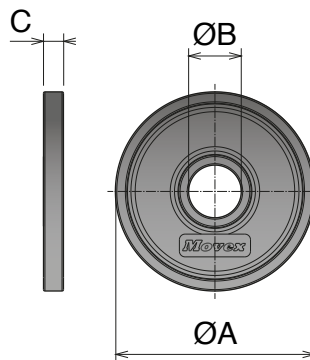
Delivery: **Easy** **Standard**



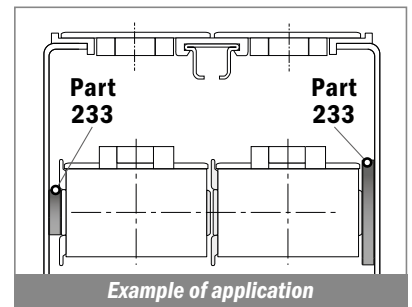
Part	Article-Nr.	ØA	ØB
207	20719	50	12
207	20712	50	16
207	20713	50	18
207	20714	50	20
207	20720	60	12
207	20701	60	16
207	20702	60	18
207	20703	60	20
207	20721	70	12
207	20704	70	16
207	20705	70	18
207	20706	70	20
207	20722	80	12
207	20707	80	16
207	20708	80	18
207	20709	80	20

## 233 Flangia Flange / Seitenscheib

Delivery: **Easy** **Standard**

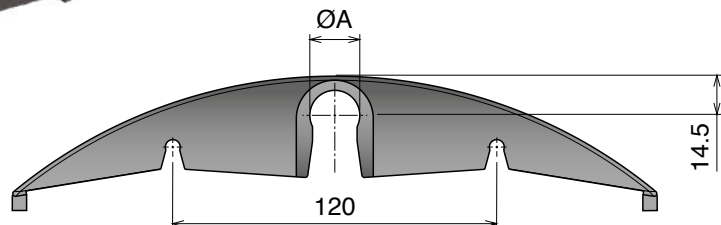


Part	Article-Nr.	ØA	ØB	C
233	23303	25,5	20	7,25
233	23304	60	20	7,25
233	23305	70	16	7
233	23307	70	20	7
233	23302	90	20	5

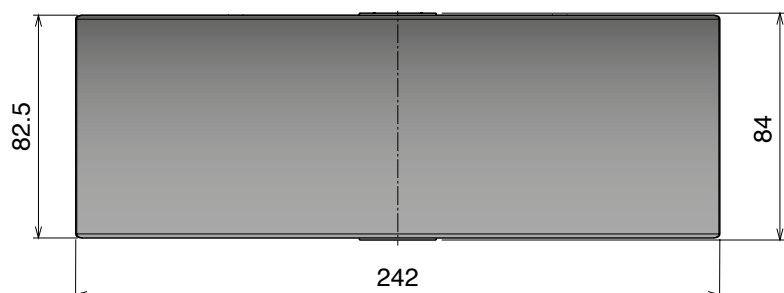
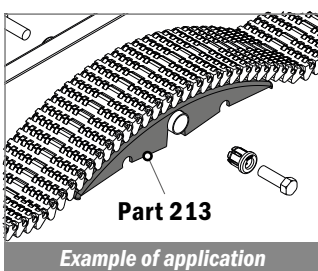


## 213 Pattino oscillante innesto rapido Snap-on sliding shoe / Rücklaufschuh, aufsteckbar

Delivery: **Easy** **Standard**



Part	Article-Nr.	ØA
213	21301	16
213	21302	18
213	21303	20



**Materiale / Material / Materialien:**

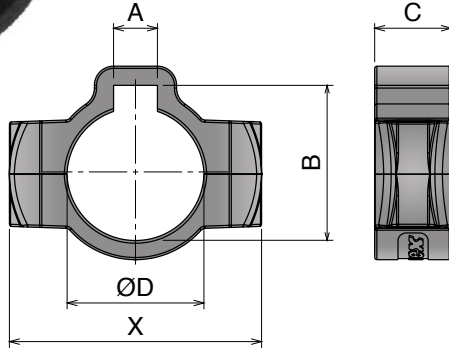
Morsetti: Poliammide/Clamps: Polyamide/Klemme: Polyamid

Viti: Acciaio inox/Screws: Stainless steel/Schraube: Edelstahl

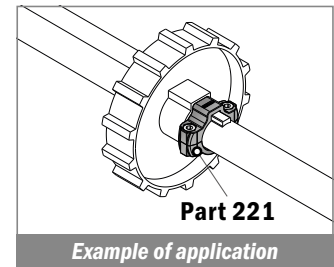
Dadi: Ottone nichelato/Nuts: Nickel plated brass/Mutter: Messing vernickelt

## 221 Collare di riferimento con chiave Split collar with keyway / geteilter Stelling mit Nut

Delivery: **Easy** **Standard** Max recommended tightening torque: 3 N mt

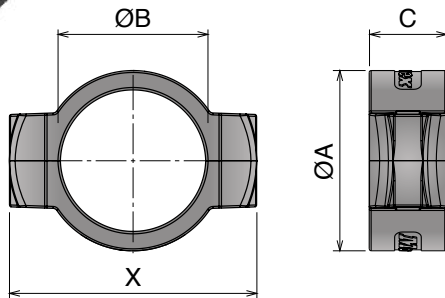


Part	Article-Nr.	A	B	C	ØD	X
221	22101	8	28,3	14	25	46
221	22102	8	33,3	16	30	51
221	22103	10	38,3	16	35	57
221	22104	12	43,3	18	40	64
221	22101Y	6,85	28,3	14	1"	46
221	22102Y	6,85	34,7	16	1,25"	52
221	22104Y	10,025	42,4	18	1,5"	64



## 215 Collare di riferimento Split collar / geteilter Stelling

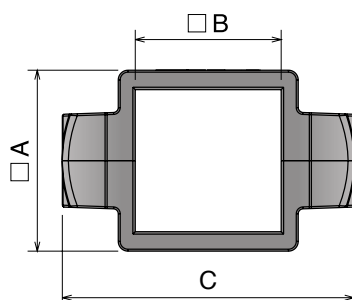
Delivery: **Easy** **Standard** Max recommended tightening torque: 3 N mt



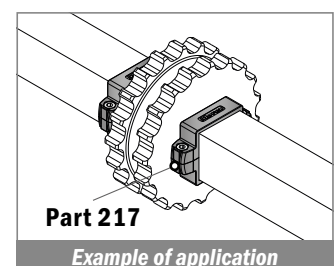
Part	Article-Nr.	ØA	ØB	C	X
215	21501	20	12	12	29,5
215	21502	22	14	12	31,5
215	21509	24	16	12	37
215	21503	26	18	14	42
215	21504	28	20	14	42
215	21505	32	25	14	46
215	21506	38	30	16	51
215	21507	43	35	16	57
215	21508	48	40	16	64
215	21501Y	20	0,5"	12	29,5
215	21503Y	26	0,75"	14	42
215	21505Y	32	1"	14	46
215	21506Y	38	1,25"	16	52
215	21508Y	48	1,5"	18	64

## 217 Collare di riferimento Split collar / geteilter Stelling

Delivery: **Easy** **Standard** Max recommended tightening torque: 3 N mt



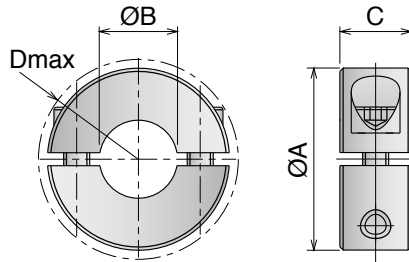
Part	Article-Nr.	□A	□B	C
217	21701	33	25	55
217	21702	37	30	60
217	21703	47	40	70
217	21704	59	50	81
217	21705	69	60	92



## NEW 218 Collare di riferimento in acciaio Stainless steel split collar / Geteilter Stelling, Edelstahl

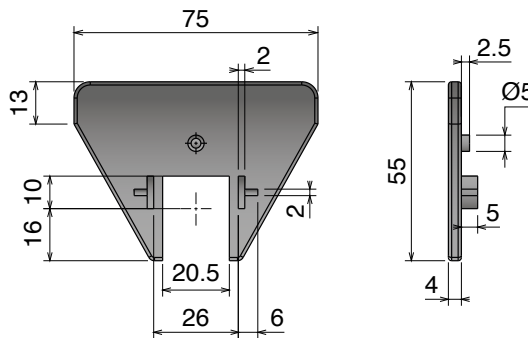
Stainless Steel | AISI 304

Delivery: **Easy** Standard



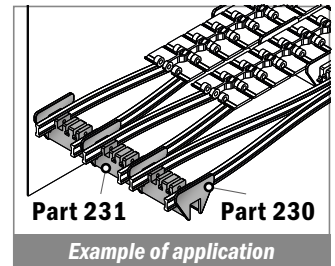
Part	Article-Nr.	ØA	ØB	C	Dmax
218	21801	18	8	9	22,4
218	21802	24	10	9	26
218	21803	28	12	11	31,8
218	21804	34	16	13	39,4
218	21805	36	18	13	41,1
218	21806	40	20	15	46,4
218	21807	45	25	15	50,8
218	21808	54	30	15	58,6
218	21809	58	35	15	62
218	21810	60	40	15	65
218	21801Y	11/16	5/16	5/16	0.88
218	21802Y	7/8	3/8	11/32	1.02
218	21803Y	15/16	7/16	3/8	1.25
218	21804Y	1-1/8	1/2	13/32	1.25
218	21805Y	1-5/16	5/8	7/16	1.55
218	21806Y	1-1/2	3/4	1/2	1.83
218	21807Y	1-3/4	1	1/2	2.00
218	21808Y	2-1/16	1-1/4	1/2	2.31
218	21809Y	2-1/4	1-7/16	9/16	2.44
218	21810Y	2-3/8	1-1/2	9/16	2.56

## 230 Piastrina Spacer / Führungsscheiben

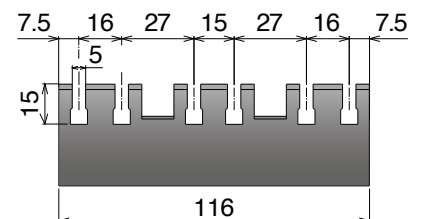
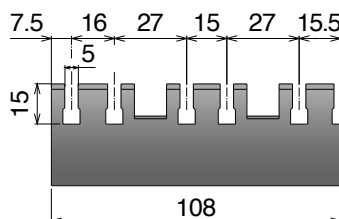
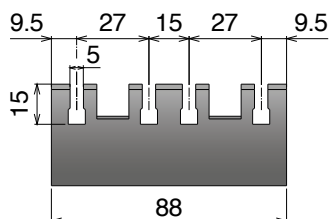
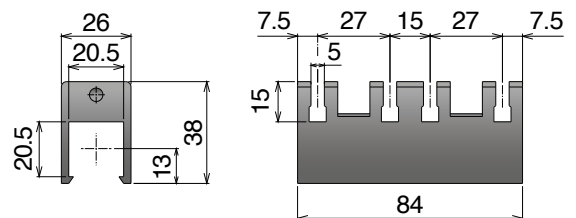


Part Article-Nr.

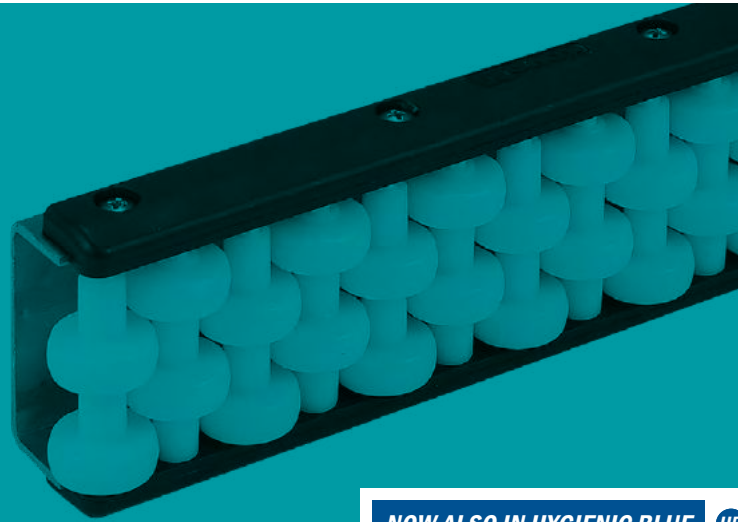
230 23001



## 231 Distanziale per serpentina Spacer for serpentine / Montageblock



Part	Article-Nr.	W
231	23101	84
231	23102	88
231	23103	108
231	23104	116



NOW ALSO IN HYGIENIC BLUE 

 301 Pag 450	 302 Pag 450	 305 Pag 451	 306 Pag 451	 307 Pag 452	 308 Pag 452
 309 Pag 453	 310 Pag 453	 311 Pag 454	 312 Pag 454	 321 Pag 455	 322 Pag 455
 323 Pag 455	 398 Pag 456	 398 Pag 456	 398 Pag 457	 398 Pag 458	 398 Pag 459
 398 Pag 460	 398 Pag 461	 398 Pag 462	 398 Pag 463	 313 Pag 464	 314 Pag 464
 315 Pag 465	 316 Pag 465	 317 Pag 466	 317 Pag 466	 318 Pag 467	 319 Pag 467
 3001 Pag 467	 317 Pag 468	 320 Pag 468	 3007 Pag 468	 3008 Pag 469	 3002 Pag 469
 324 Pag 470	 325 Pag 470	 3009 Pag 470	 326 Pag 471	 3013 Pag 471	 3010 Pag 471
 327 Pag 472	 3012 Pag 472	 337 Pag 473	 338 Pag 473	 339 Pag 473	 328 Pag 474

<b>329</b>  Pag 474	<b>330</b>  Pag 474	<b>362</b>  Pag 474	<b>390</b>  Pag 475	<b>392</b>  Pag 475	<b>393</b>  Pag 475
<b>336</b>  Pag 475	<b>394</b>  Pag 476	<b>341</b> HB  Pag 476	<b>341</b> HB  Pag 476	<b>3310</b>  Pag 477	<b>3311</b>  Pag 477
<b>345</b>  Pag 477	<b>349</b>  Pag 478	<b>350</b>  Pag 478	<b>351</b>  Pag 478	<b>3004</b>  Pag 479	<b>352</b>  Pag 479
<b>3005</b>  Pag 479	<b>347</b>  Pag 480	<b>348</b>  Pag 480	<b>346</b>  Pag 480	<b>356</b>  Pag 481	<b>357</b>  Pag 481
<b>3011</b> HB  Pag 481	<b>335</b>  Pag 482	<b>358</b>  Pag 483	<b>364</b>  Pag 483	<b>359</b>  Pag 484	<b>365</b>  Pag 484
<b>360</b>  Pag 485	<b>360</b>  Pag 486	<b>366</b>  Pag 485/486	<b>361</b>  Pag 487	<b>361</b>  Pag 488	<b>367</b>  Pag 487/488
<b>364-365</b>  Pag 489	<b>366-367</b>  Pag 490	<b>366</b>  Pag 491	<b>367</b>  Pag 491	<b>364</b>  Pag 492	<b>365</b>  Pag 492
<b>395</b>  Pag 493	<b>362</b>  Pag 493	<b>333</b>  Pag 493	<b>358/359/360/361</b>  Pag 493	<b>3014</b>  Pag 493	<b>353</b>  Pag 494
<b>354</b>  Pag 494	<b>355</b>  Pag 494	<b>363</b>  Pag 495	<b>396</b>  Pag 496	<b>363</b>  Pag 497	<b>36399</b>  Pag 497
<b>199/299</b>  Pag 498	<b>368</b>  Pag 499	<b>369</b>  Pag 499	<b>370</b>  Pag 500	<b>371</b>  Pag 500	<b>342</b>  Pag 501
<b>372</b> HB  Pag 502	<b>373</b>  Pag 502	<b>383</b>  Pag 502	<b>384</b>  Pag 503	<b>386</b>  Pag 503	<b>3003</b>  Pag 504

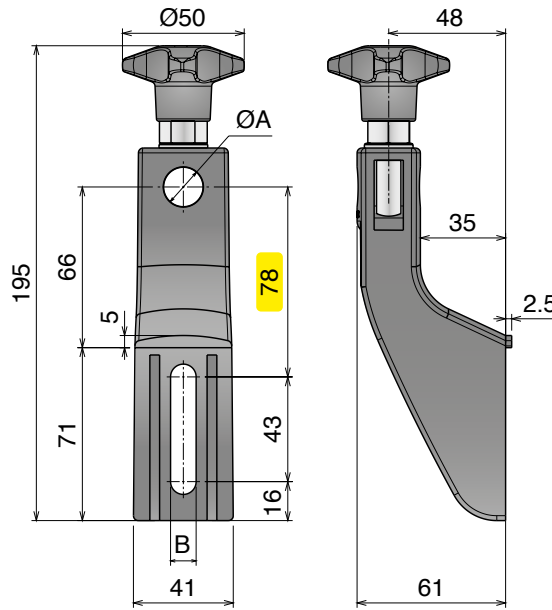




# Conveyor components

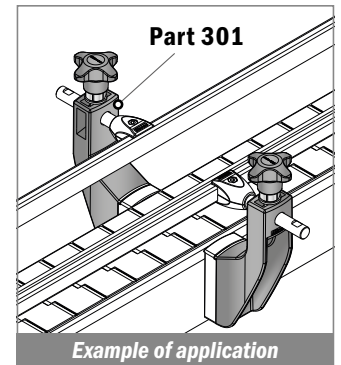
## 301 Supporto laterale - piccolo - Side bracket - small - / Geländerhalter - klein -

Delivery: **Easy** Standard



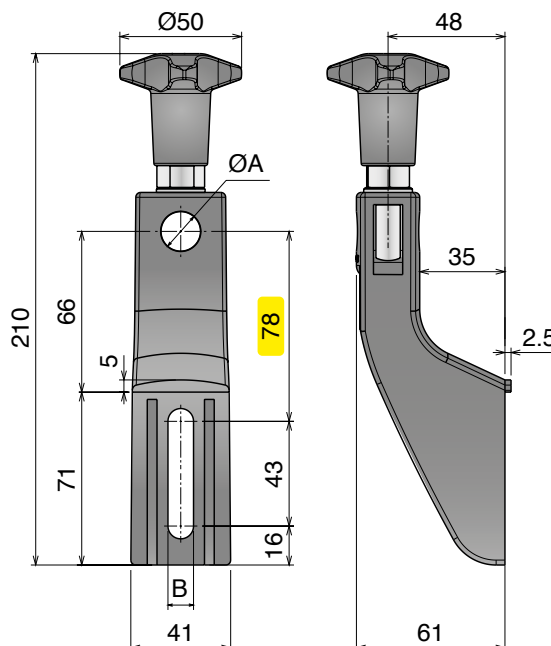
NOW ALSO IN HYGIENIC BLUE

Part	Article-Nr.	ØA	B	Colour
301	30101	12	9	Black
301	30105	14	9	Black
301	30102	16	9	Black
301	30103	12	10,5	Black
301	30106	14	10,5	Black
301	30104	16	10,5	Black
301	30151	12	9	Hygienic blue
301	30155	14	9	Hygienic blue
301	30152	16	9	Hygienic blue
301	30153	12	10,5	Hygienic blue
301	30156	14	10,5	Hygienic blue
301	30154	16	10,5	Hygienic blue



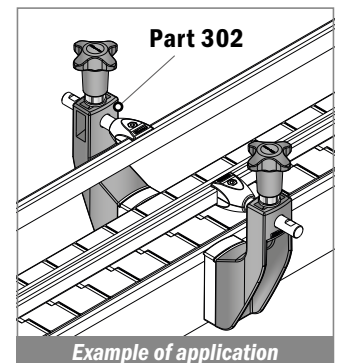
## 302 Supporto laterale - piccolo - volantino alto Side bracket - small - high knob / Geländerhalter - klein - hoher Sterngriff

Delivery: **Easy** Standard



NOW ALSO IN HYGIENIC BLUE

Part	Article-Nr.	ØA	B	Colour
302	30201	12	9	Black
302	30205	14	9	Black
302	30202	16	9	Black
302	30203	12	10,5	Black
302	30206	14	10,5	Black
302	30204	16	10,5	Black
302	30251	12	9	Hygienic blue
302	30255	14	9	Hygienic blue
302	30252	16	9	Hygienic blue
302	30253	12	10,5	Hygienic blue
302	30256	14	10,5	Hygienic blue
302	30254	16	10,5	Hygienic blue



**Materiale / Material / Materialien:**

Supporto: PA / Support: PA / Halter: PA

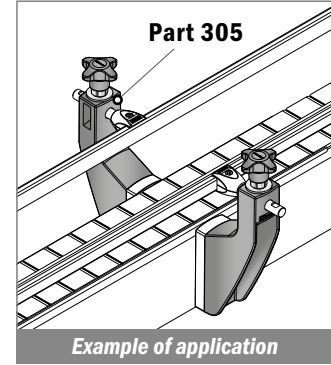
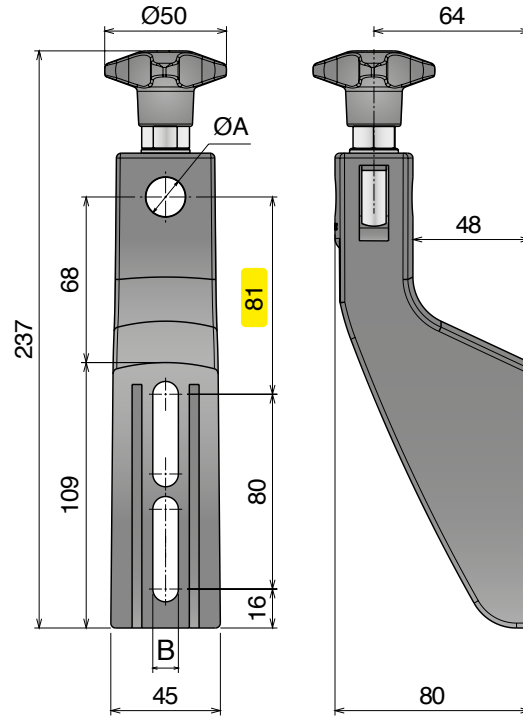
Volantino: PA+ottone nichelato / Knob: PA+nickel plated brass / Sterngriff: PA+ Messing vernickelt

Tirante: Acciaio inox / Eyebolt: Stainless steel / Augenschraube: Edelstahl

## 305 Supporto laterale -medio- Side bracket -medium- / Geländerhalter -medium-

Delivery: **Easy** Standard

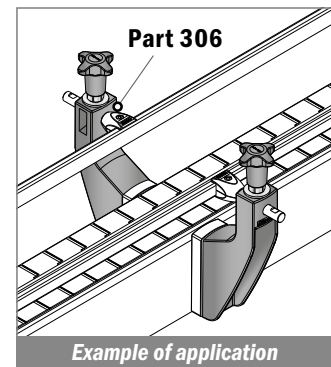
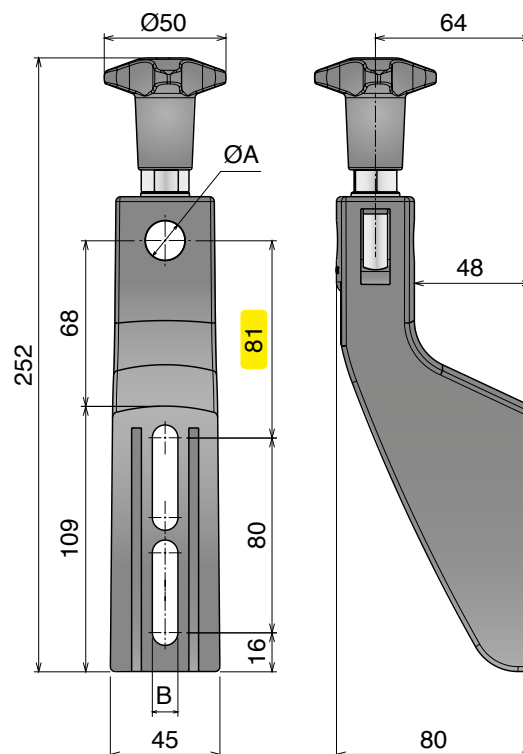
Part	Article-Nr.	ØA	B
305	30501	12	9
305	30505	14	9
305	30502	16	9
305	30503	12	10,5
305	30506	14	10,5
305	30504	16	10,5



## 306 Supporto laterale -medio- volantino alto Side bracket -medium- high knob / Geländerhalter -medium- hoher Sterngriff

Delivery: **Easy** Standard

Part	Article-Nr.	ØA	B
306	30601	12	9
306	30605	14	9
306	30602	16	9
306	30603	12	10,5
306	30606	14	10,5
306	30604	16	10,5



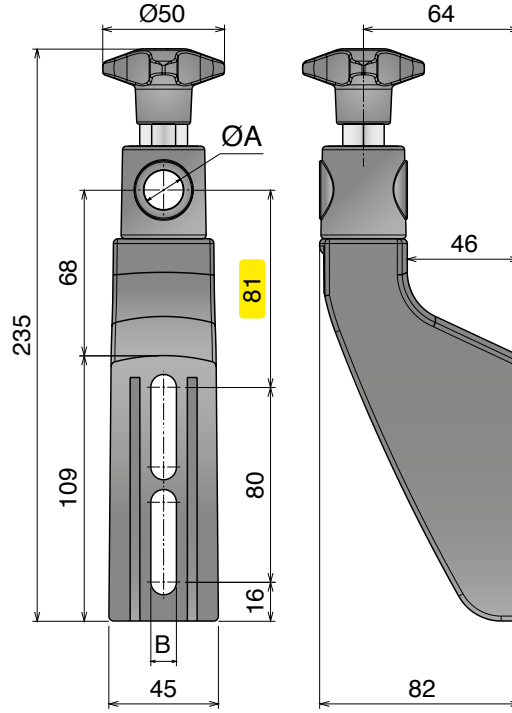
# 307-308

Componenti / Conveyor components / Komponenten

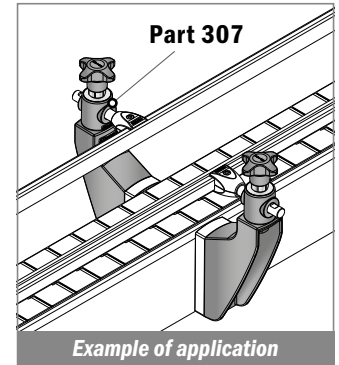
**Materiale / Material / Materialien:** Supporto: PA/Support: PA/Halter: PA  
 Volantino: PA+ottone nichelato/Knob: PA+nickel plated brass/Stemgriff: PA+ Messing vernickelt  
 Tirante: Acciaio inox/Eyebolt: Stainless steel/Augenschraube: Edelstahl  
 Testina: PA o Acciaio inox/Head: PA or stainless steel/Schwenkkopf: PA oder Edelstahl  
 Vite, rondella e dado: Acciaio inox/Screw, washer and nut: Stainless steel/Schraube, Unterlegs und Mutter: Edelstahl

## 307 Supporto laterale -medio- orientabile Side bracket -medium- adjustable / Geländerhalter -medium- einstellbar

Delivery: **Easy** Standard

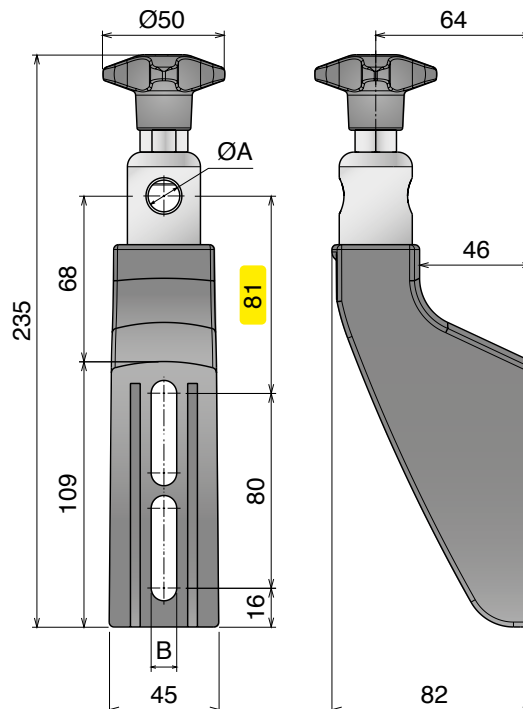


Part	Article-Nr.	ØA	B
307	30701	12	9
307	30705	14	9
307	30702	16	9
307	30703	12	10,5
307	30706	14	10,5
307	30704	16	10,5
307	30709	bracket	9
307	30710	bracket	10,5

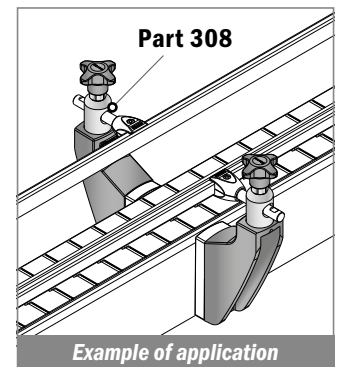


## 308 Supporto laterale -medio- orientabile Acciaio inox Side bracket -medium- adjustable stainless steel / Geländerhalter -medium- einstellbar edelstahl

Delivery: **Easy** Standard



Part	Article-Nr.	ØA	B
308	30801	12	9
308	30805	14	9
308	30802	16	9
308	30803	12	10,5
308	30806	14	10,5
308	30804	16	10,5



**Materiale / Material / Materialien:**

Supporto: PA / Support: PA / Halter: PA

Volantino: PA+ottone nichelato / Knob: PA+nickel plated brass / Sterngriff: PA+ Messing vernickelt

Tirante: Acciaio inox / Eyebolt: Stainless steel / Augenschraube: Edelstahl

# 309-310

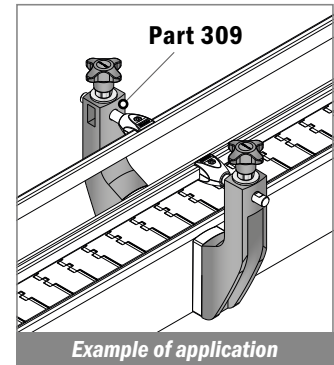
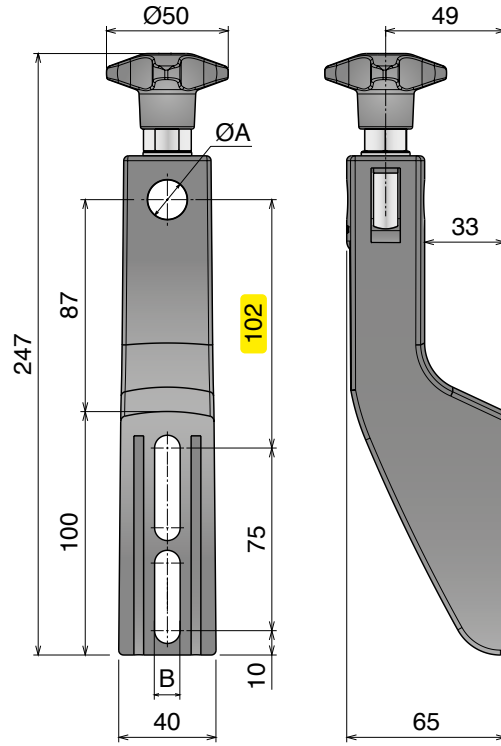
Componenti / Conveyor components / Komponenten

## 309 Supporto laterale -grande- Side bracket -large- / Geländerhalter -groß-

NOW ALSO IN HYGIENIC BLUE

Delivery: **Easy** Standard

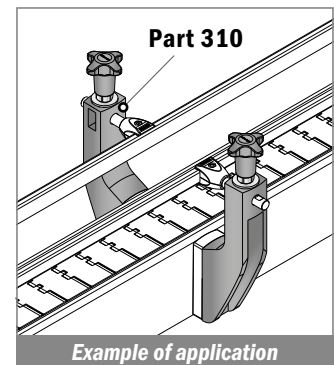
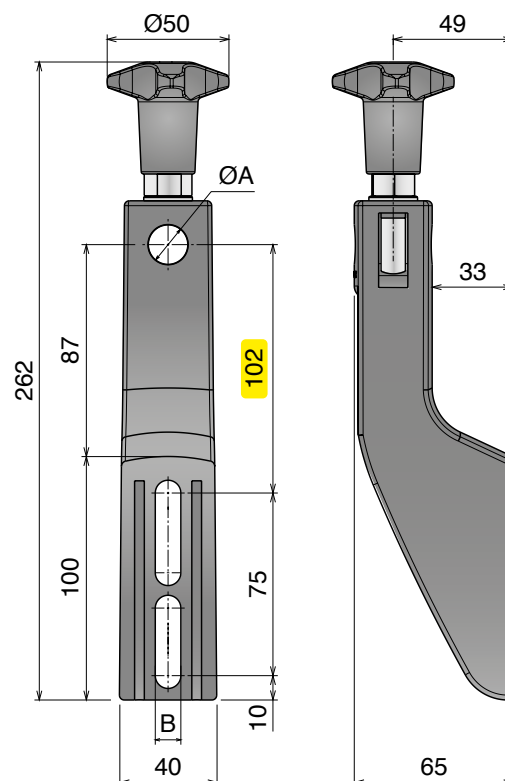
Part	Article-Nr.	ØA	B	Colour
309	30901	12	9	Black
309	30905	14	9	Black
309	30902	16	9	Black
309	30903	12	10,5	Black
309	30906	14	10,5	Black
309	30904	16	10,5	Black
309	30951	12	9	Hygienic blue
309	30955	14	9	Hygienic blue
309	30952	16	9	Hygienic blue
309	30953	12	10,5	Hygienic blue
309	30956	14	10,5	Hygienic blue
309	30954	16	10,5	Hygienic blue



## 310 Supporto laterale -grande- volantino alto Side bracket -large- high knob / Geländerhalter -groß- hoher sterngriff

Delivery: **Easy** Standard

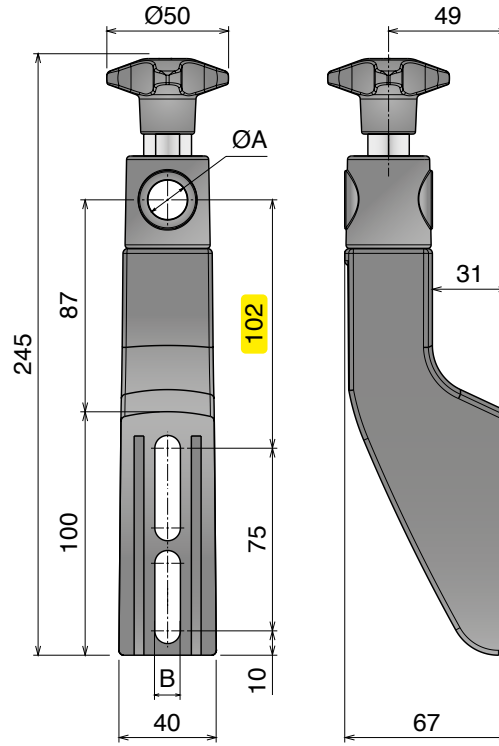
Part	Article-Nr.	ØA	B
310	31001	12	9
310	31005	14	9
310	31002	16	9
310	31003	12	10,5
310	31006	14	10,5
310	31004	16	10,5



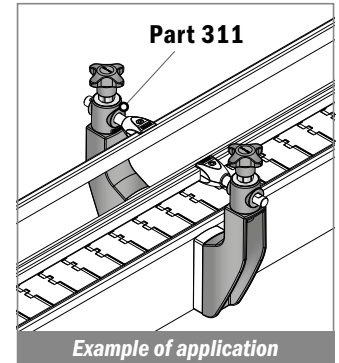
**Materiale / Material / Materialien:** Supporto: PA/Support: PA/Halter: PA  
 Volantino: PA+ottone nichelato/Knob: PA+nickel plated brass/Sterngriff: PA+ Messing vernickelt  
 Tirante: Acciaio inox/Eyebolt: Stainless steel/Augenschraube: Edelstahl  
 Testina: PA o Acciaio inox/Head: PA or stainless steel/Schwenkkopf: PA oder Edelstahl  
 Vite, rondella e dado: Acciaio inox/Screw, washer and nut: Stainless steel/Schraube, Unterlegs und Mutter: Edelstahl

## 311 Supporto laterale -grande- orientabile Side bracket -large- adjustable / Geländerhalter -groß- einstellbar

Delivery: **Easy** Standard

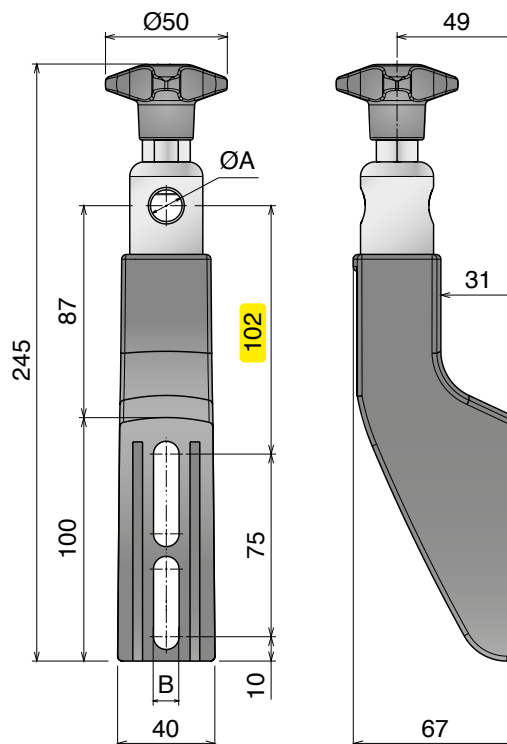


Part	Article-Nr.	ØA	B
311	31101	12	9
311	31105	14	9
311	31102	16	9
311	31103	12	10,5
311	31106	14	10,5
311	31104	16	10,5
311	31109	bracket	9
311	31110	bracket	10,5

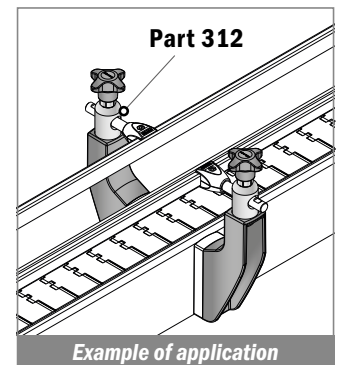


## 312 Supporto laterale -grande- orientabile Acciaio inox Side bracket -large- adjustable stainless steel / Geländerhalter -groß- einstellbar edelstahl

Delivery: **Easy** Standard



Part	Article-Nr.	ØA	B
312	31201	12	9
312	31205	14	9
312	31202	16	9
312	31203	12	10,5
312	31206	14	10,5
312	31204	16	10,5

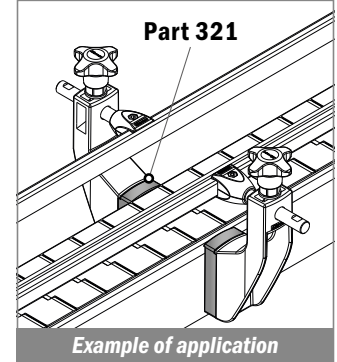
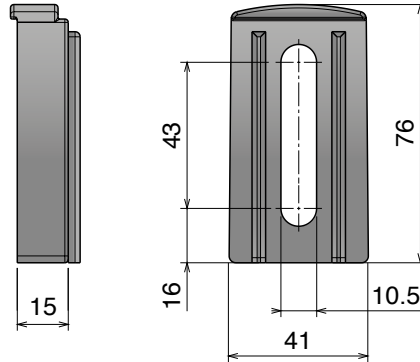


**321** Distanziale per supporto -piccolo  
 Spacer for bracket -small / Distanzstück für Geländerhalter -klein

NOW ALSO IN HYGIENIC BLUE

Delivery: **Easy** **Standard** Used with bracket Part. 301-302 Pag 450

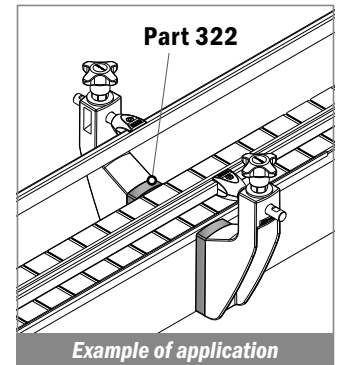
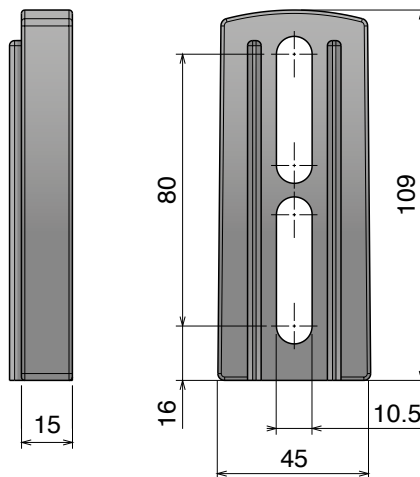
Part	Article-Nr.	Colour
321	32101	Black
321	32151	Hygienic blue



**322** Distanziale per supporto -medio  
 Spacer for bracket -medium / Distanzstück für Geländerhalter -medium

Delivery: **Easy** **Standard** Used with bracket Part. 305-306-307-308 Pag 451-452

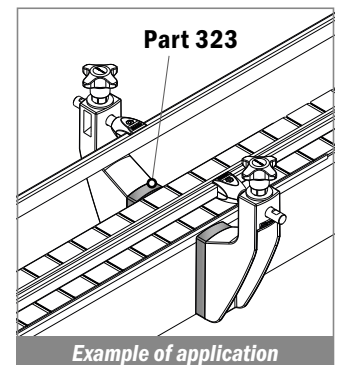
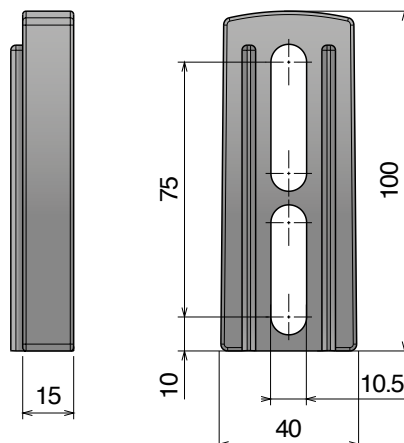
Part	Article-Nr.	Colour
322	32201	Black



**323** Distanziale per supporto -grande  
 Spacer for bracket -large / Distanzstück für Geländerhalter -groß

Delivery: **Easy** **Standard** Used with bracket Part. 309-310-311-312 Pag 453-454

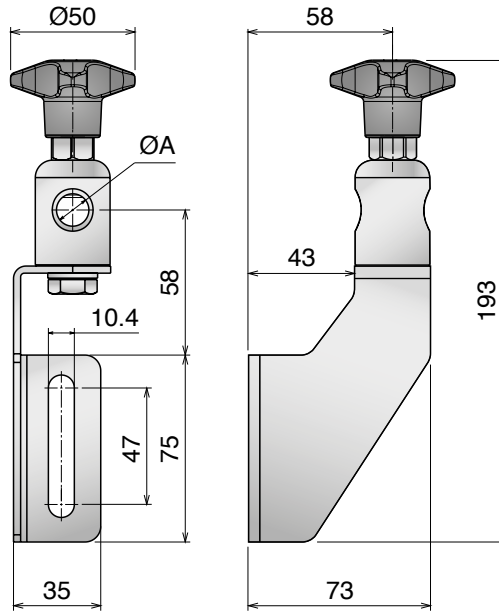
Part	Article-Nr.	Colour
322	32301	Black



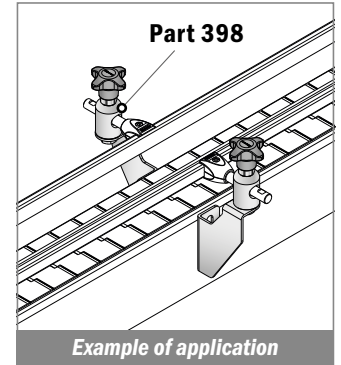
## 398 Supporto laterale inox -medio- orientabile SS bracket -medium- adjustable / Edelstahl Geländerhalter -medium- einstellbar

**NOW ALSO IN HYGIENIC BLUE**

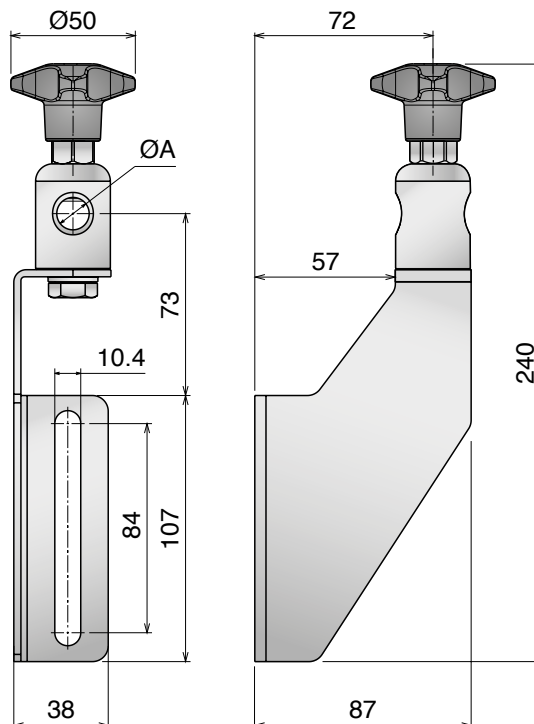
Delivery: **Easy** Standard



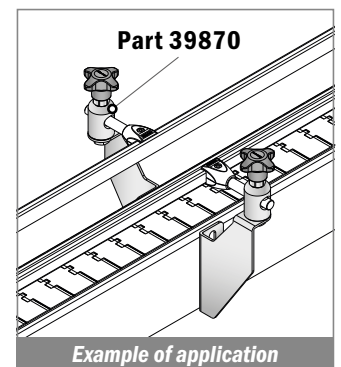
Part	Article-Nr.	ØA	Knob Colour
398	39860	12	Black
398	39862	14	Black
398	39861	16	Black
398	39860HB	12	Hygienic blue
398	39862HB	14	Hygienic blue
398	39861HB	16	Hygienic blue



## Supporto laterale inox -grande- orientabile SS bracket -large- adjustable / Edelstahl Geländerhalter -groß- einstellbar



Part	Article-Nr.	ØA	Knob Colour
398	39870	12	Black
398	39872	14	Black
398	39871	16	Black
398	39870HB	12	Hygienic blue
398	39872HB	14	Hygienic blue
398	39871HB	16	Hygienic blue





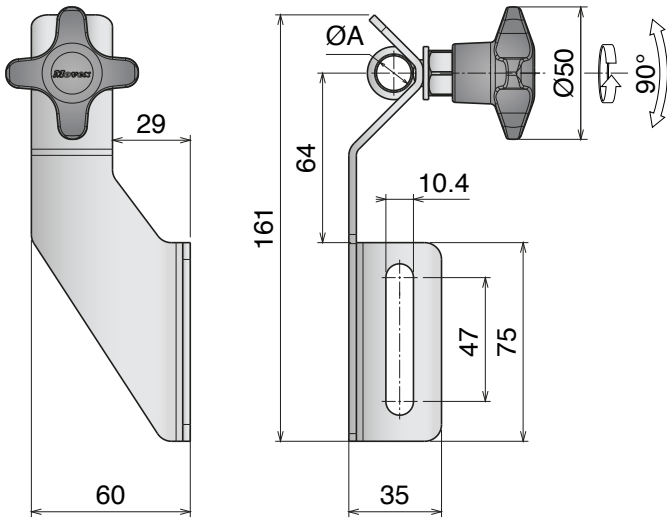
NEW

**398**

Supporto laterale inox - piccolo  
 SS bracket - small / Edelstahl Geländerhalter - klein

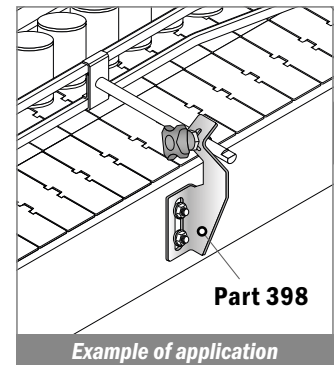
Stainless Steel | AISI 304

Width 60 mm – Height 64 mm



**Advantages:**

- Hygienic design
- Stronger design
- Easy to install
- Corrosion resistant
- High temperature resistant
- Fixing system customizable



**Stainless steel knob**

**Plastic knob**

**Stainless steel nut**



Part	Article-Nr.	ØA
398	39810SK	12-13
398	39811SK	14
398	39812SK	16

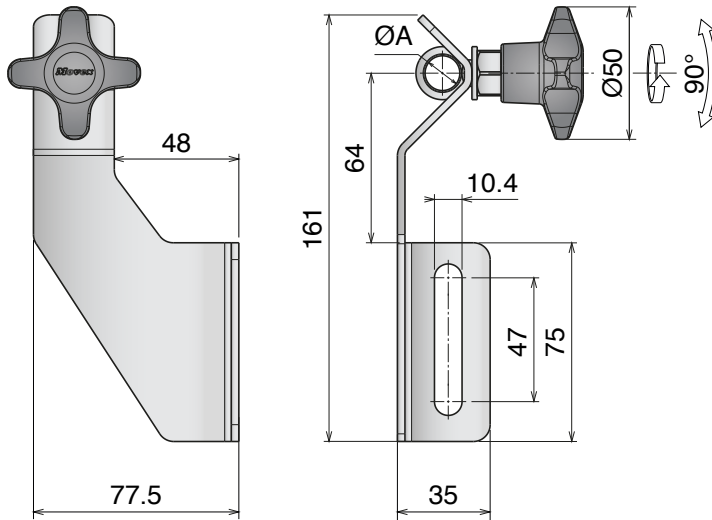
Part	Article-Nr.	ØA
398	39810	12-13
398	39811	14
398	39812	16

Part	Article-Nr.	ØA
398	39810S	12-13
398	39811S	14
398	39812S	16

**NEW 398** Supporto laterale inox - medio  
 SS bracket -medium / Edelstahl Geländerhalter -medium

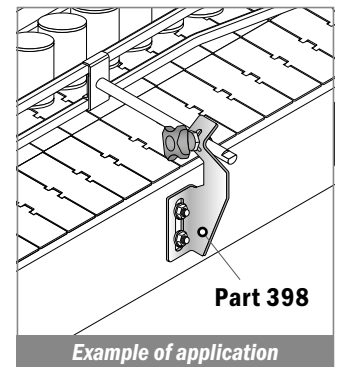
Stainless Steel | AISI 304

Width 77,5 mm - Height 64 mm



**Advantages:**

- Hygienic design
- Stronger design
- Easy to install
- Corrosion resistant
- High temperature resistant
- Fixing system customizable



**Stainless steel knob**



**Plastic knob**



**Stainless steel nut**



Part	Article-Nr.	ØA
398	39820SK	12-13
398	39821SK	14
398	39822SK	16

Part	Article-Nr.	ØA
398	39820	12-13
398	39821	14
398	39822	16

Part	Article-Nr.	ØA
398	39820S	12-13
398	39821S	14
398	39822S	16

NEW

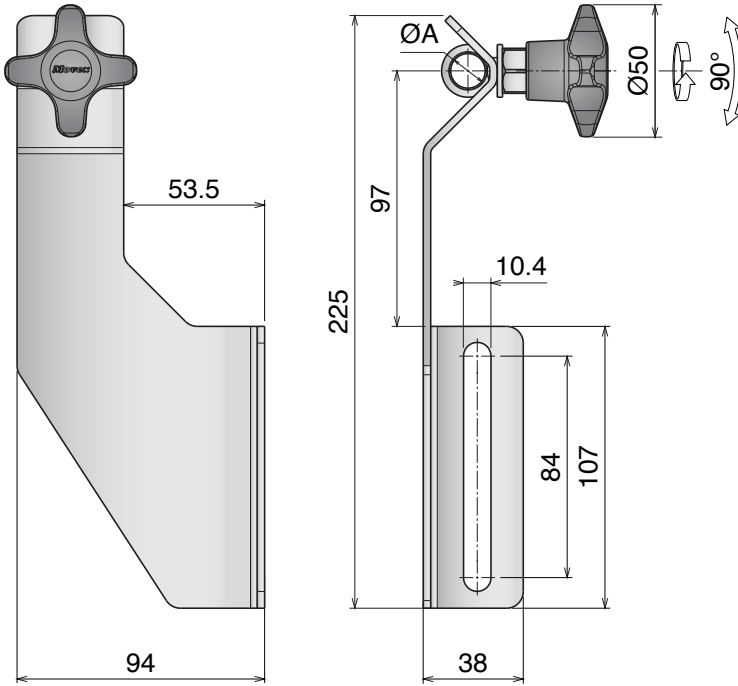
398

**Supporto laterale inox - grande**  
**SS bracket - large / Edelstahl Geländerhalter - groß**

Stainless Steel | AISI 304

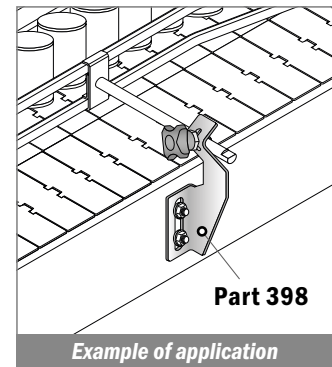
Delivery: **Easy** Standard

Width 94 mm - Height 97 mm



**Advantages:**

- Hygienic design
- Stronger design
- Easy to install
- Corrosion resistant
- High temperature resistant
- Fixing system customizable



**Stainless steel knob**



Part	Article-Nr.	ØA
398	39830SK	12-13
398	39831SK	14
398	39832SK	16

**Plastic knob**



Part	Article-Nr.	ØA
398	39830	12-13
398	39831	14
398	39832	16

**Stainless steel nut**



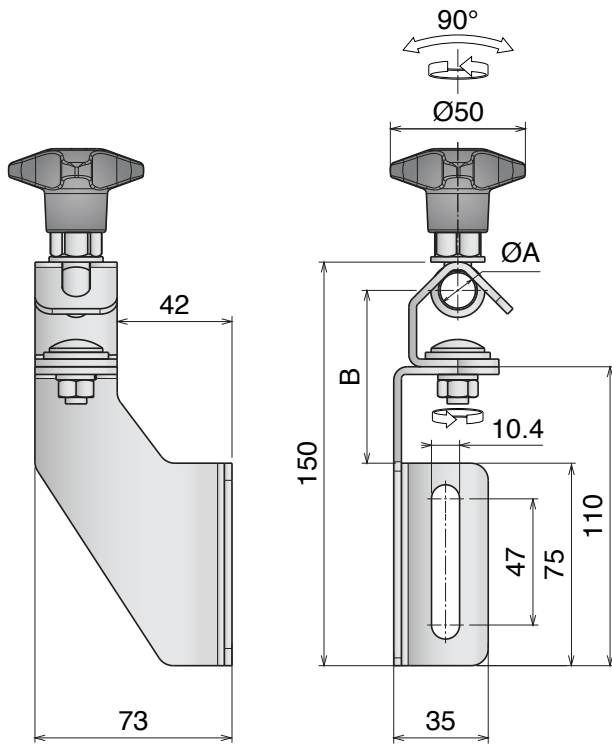
Part	Article-Nr.	ØA
398	39830S	12-13
398	39831S	14
398	39832S	16

## NEW 398

Supporto laterale inox -medio- orientabile  
 SS bracket -medium- adjustable / Edelstahl Geländerhalter -medium- einstellbar

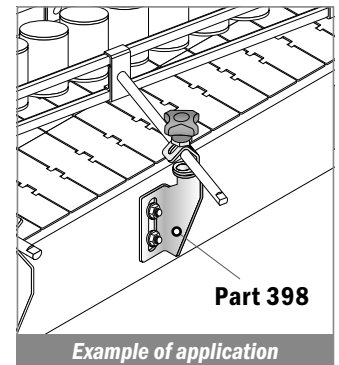
Stainless Steel | AISI 304

Width 73 mm – Height 64 mm



### Advantages:

- Hygienic design
- Stronger design
- Easy to install
- Corrosion resistant
- High temperature resistant
- Fixing system customizable



### Stainless steel knob



### Plastic knob



### Stainless steel nut



Part	Article-Nr.	ØA	B
398	39840SK	12-13	64
398	39841SK	14	62,5
398	39842SK	16	61

Part	Article-Nr.	ØA	B
398	39840	12-13	64
398	39841	14	62,5
398	39842	16	61

Part	Article-Nr.	ØA	B
398	39840S	12-13	64
398	39841S	14	62,5
398	39842S	16	61

NEW

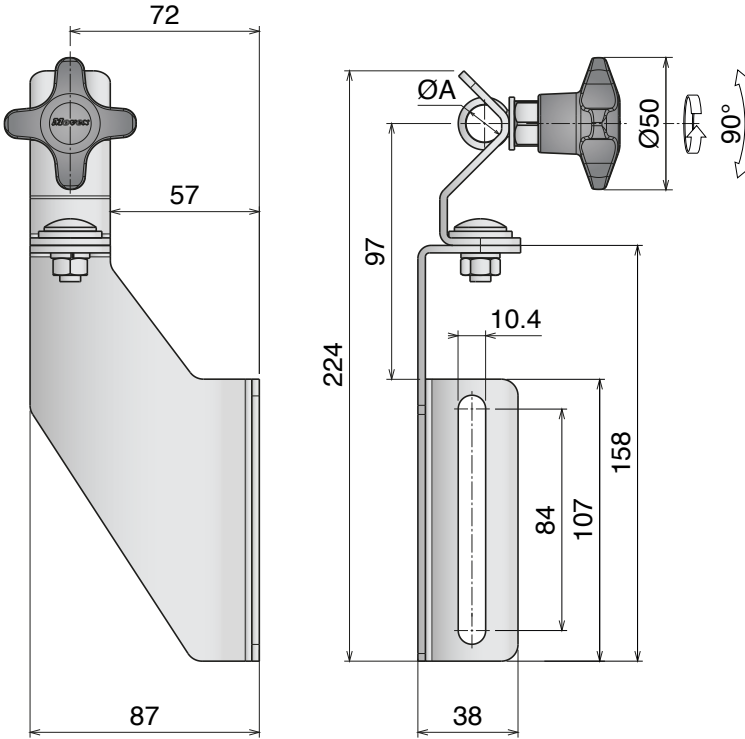
398

Supporto laterale inox-grande- orientabile  
 SS bracket -large- adjustable / Edelstahl Geländerhalter -groß- einstellbar

Stainless Steel | AISI 304

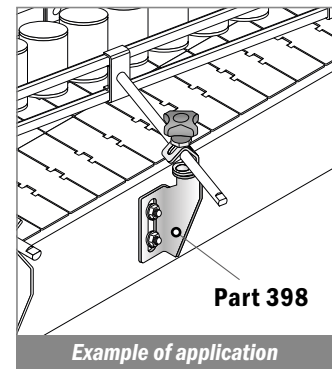
Delivery: **Easy** Standard

Width 87 mm - Height 97 mm



**Advantages:**

- Hygienic design
- Stronger design
- Easy to install
- Corrosion resistant
- High temperature resistant
- Fixing system customizable



**Stainless steel knob**

**Plastic knob**

**Stainless steel nut**



Part	Article-Nr.	ØA
398	39850SK	12-13
398	39851SK	14
398	39852SK	16

Part	Article-Nr.	ØA
398	39850	12-13
398	39851	14
398	39852	16

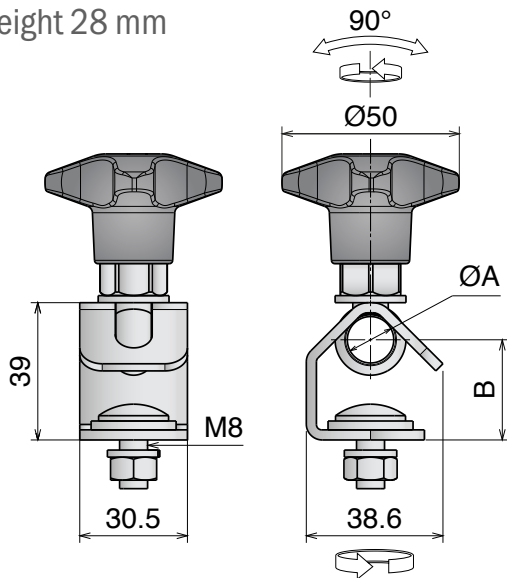
Part	Article-Nr.	ØA
398	39850S	12-13
398	39851S	14
398	39852S	16

## NEW 398

Testina orientabile inox -media  
 Stainless steel adjustable head -medium / Edelstahl Schwenkkopf -medium

Stainless Steel | AISI 304

Height 28 mm



### Advantages:

- Hygienic design
- Stronger design
- Easy to install
- Corrosion resistant
- High temperature resistant
- Fixing system customizable

### Stainless steel knob



### Plastic knob



### Stainless steel nut



Part	Article-Nr.	ØA	B
398	39845SK	12-13	29
398	39846SK	14	27,5
398	39847SK	16	26

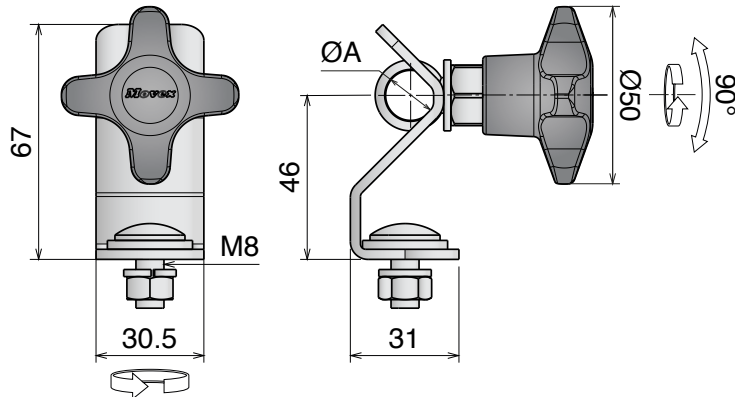
Part	Article-Nr.	ØA	B
398	39845	12-13	29
398	39846	14	27,5
398	39847	16	26

Part	Article-Nr.	ØA	B
398	39845S	12-13	29
398	39846S	14	27,5
398	39847S	16	26

**NEW** **398** Testina orientabile inox -alta  
 Stainless steel adjustable head -large / Edelstahl Schwenkopf -groß

Stainless Steel | AISI 304

Height 46 mm



**Advantages:**

- Hygienic design
- Stronger design
- Easy to install
- Corrosion resistant
- High temperature resistant
- Fixing system customizable

**Stainless steel knob**



Part	Article-Nr.	ØA
398	39855SK	12-13
398	39856SK	14
398	39857SK	16

**Plastic knob**



Part	Article-Nr.	ØA
398	39855	12-13
398	39856	14
398	39857	16

**Stainless steel nut**



Part	Article-Nr.	ØA
398	39855S	12-13
398	39856S	14
398	39857S	16

# 313-314

Componenti / Conveyor components / Komponenten

## Materiale / Material / Materialien:

Volantino: PA+ottone nichelato / Knob: PA+nickel plated brass / Sterngriff: PA+ Messing vernickelt

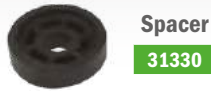
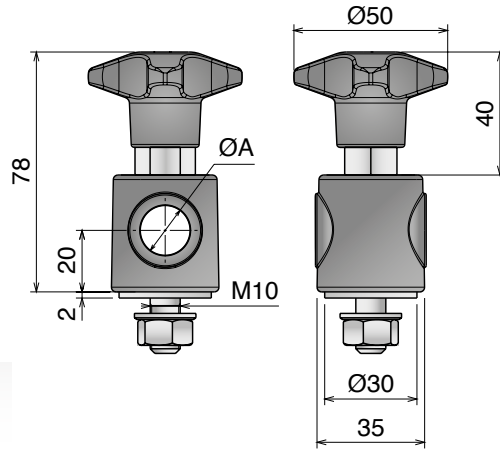
Tirante: Acciaio inox / Eyebolt: Stainless steel / Augenschraube: Edelstahl

Testina: PA o Acciaio inox / Head: PA or stainless steel / Schwenkopf: PA oder Edelstahl

Vite, rondella e dado: Acciaio inox / Screw, washer and nut: Stainless steel / Schraube, Scheibe und Mutter: Edelstahl

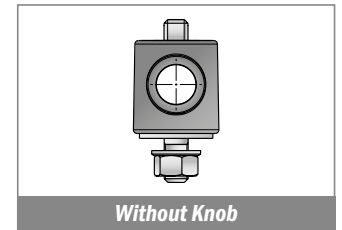
## 313 Testina orientabile Adjustable head / Schwenkopf

Delivery: **Easy** **Standard**



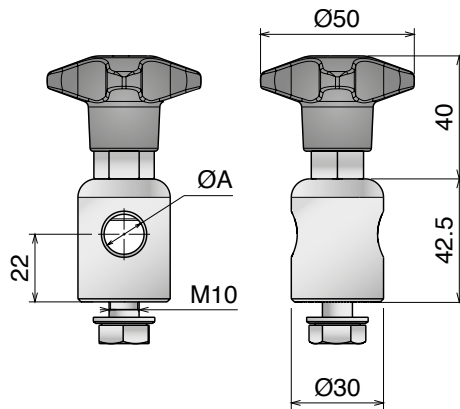
NOW ALSO IN HYGIENIC BLUE

Part	Article-Nr.	ØA	Knob Colour
313	31301	12	Black
313	31303	14	Black
313	31302	16	Black
313	31351	12	Hygienic blue
313	31353	14	Hygienic blue
313	31352	16	Hygienic blue
313	31311	12-without knob	-
313	31313	14-without knob	-
313	31312	16-without knob	-



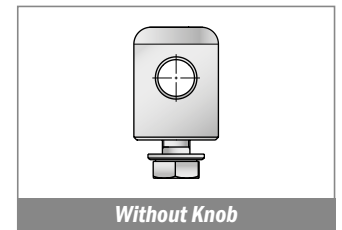
## 314 Testina orientabile, acciaio inox Adjustable head, stainless steel / Schwenkopf, Edelstahl

Delivery: **Easy** **Standard**

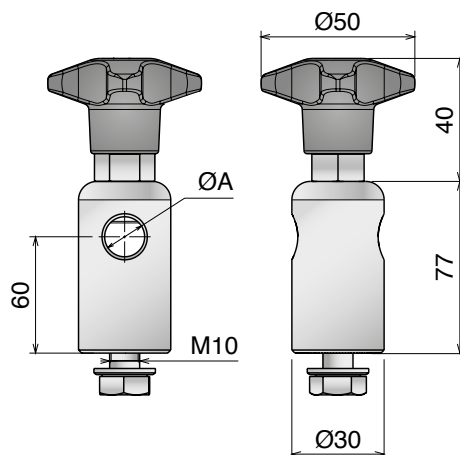


NOW ALSO IN HYGIENIC BLUE

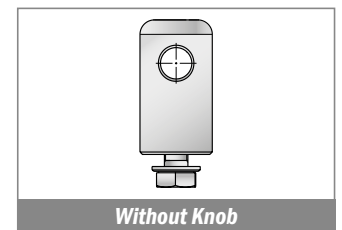
Part	Article-Nr.	ØA	Knob Colour
314	31401	12	Black
314	31403	14	Black
314	31402	16	Black
314	31451	12	Hygienic blue
314	31453	14	Hygienic blue
314	31452	16	Hygienic blue
314	31411	12-without knob	-
314	31413	14-without knob	-
314	31412	16-without knob	-



## Testina orientabile alta, acciaio inox Adjustable head, stainless steel / Schwenkopf, Edelstahl



Part	Article-Nr.	ØA
314	31409	12
314	31414	14
314	31410	16
314	31419	12-without knob
314	31421	14-without knob
314	31420	16-without knob



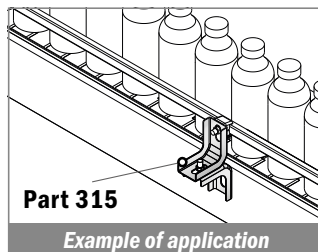


## 315 Supporto laterale "L" L-bracket / Winkel

Delivery: **Easy** **Standard**

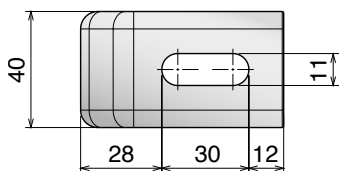
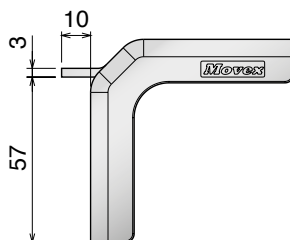
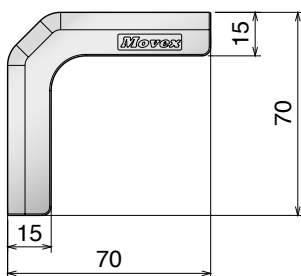
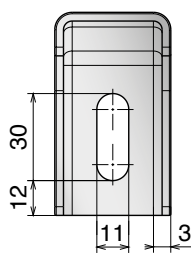
Stainless Steel | AISI 304

Part	Article-Nr.	Type
315	31501	A
315	31502	B



TYPE A - WITHOUT NOSE

TYPE B - WITH NOSE

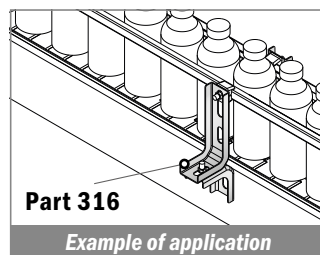


## 316 Supporto laterale "L" L-bracket / Winkel

Delivery: **Easy** **Standard**

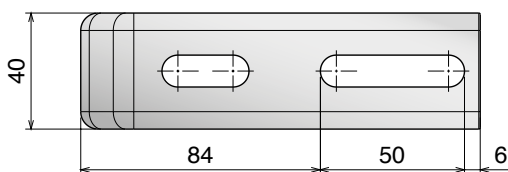
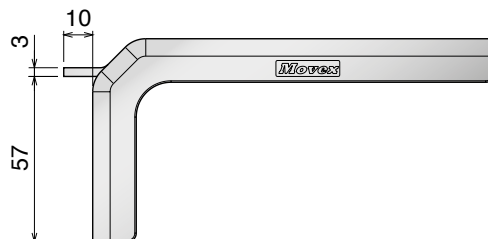
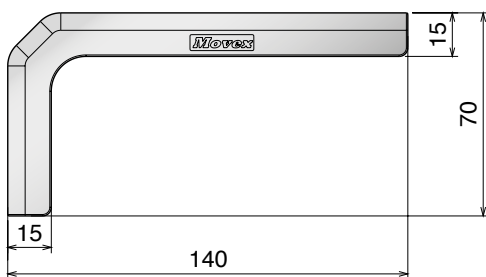
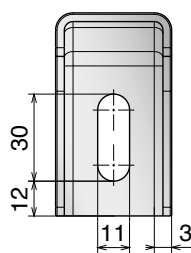
Stainless Steel | AISI 304

Part	Article-Nr.	Type
316	31601	A
316	31602	B



TYPE A - WITHOUT NOSE

TYPE B - WITH NOSE

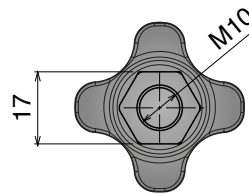
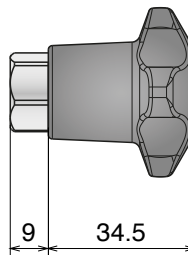
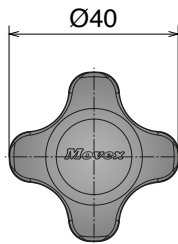
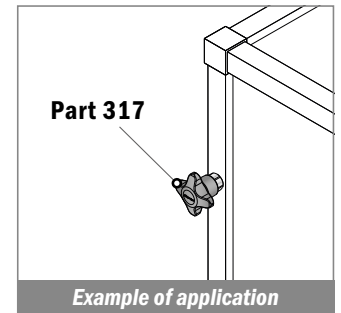
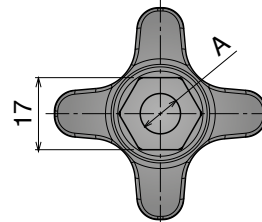
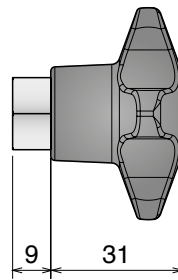
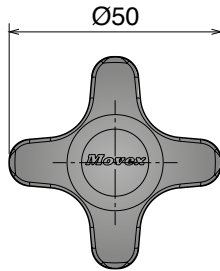


## 317 Volantino Star knob / Sterngriff

**NOW ALSO IN HYGIENIC BLUE**

Delivery: **Easy** **Standard**

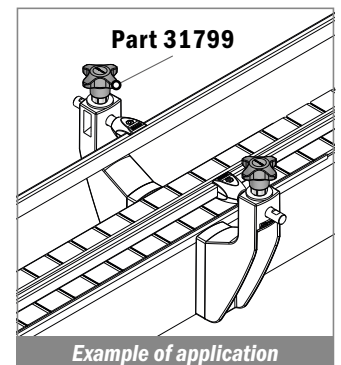
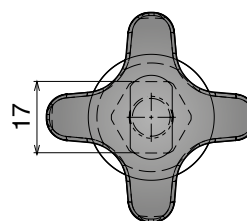
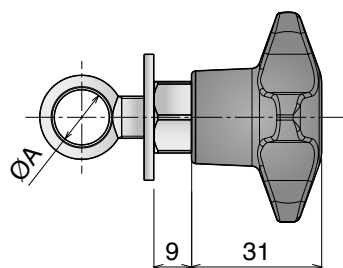
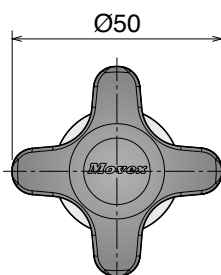
Part	Article-Nr.	A	Ø	Knob Colour
317	31702	M10	40	Black
317	31703	M8	50	Black
317	31701	M10	50	Black
317	31704	M12	50	Black
317	31753	M8	50	Hygienic blue
317	31751	M10	50	Hygienic blue
317	31754	M12	50	Hygienic blue



### Volantino con tirante Star knob with eye-bolt / Sterngriff mit Augenschraube

**NOW ALSO IN HYGIENIC BLUE**

Part	Article-Nr.	ØA	Knob Colour
317	31799	12	Black
317	31797	14	Black
317	31798	16	Black
317	31759	12	Hygienic blue
317	31757	14	Hygienic blue
317	31758	16	Hygienic blue



**Materiale / Material / Materialien:**

Poliammide + ottone nichelato / Acciaio inox / Ottone  
 Polyamide + nickel plated brass / Stainless steel / Brass  
 Polyamid + Messing vernickelt / Edelstahl / Messing

# 318-319-3001

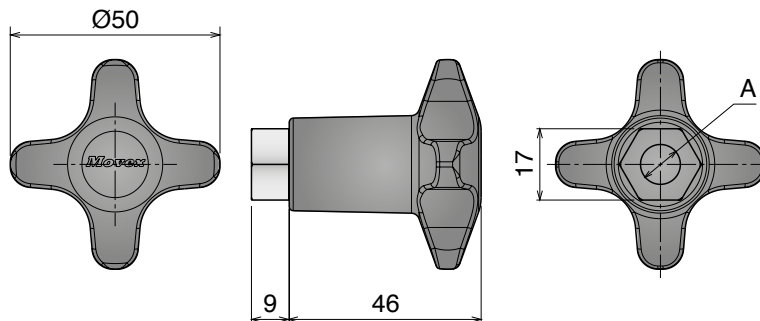
Componenti / Conveyor components / Komponenten

## 318 Volantino Star knob / Sterngriff

**RANGE EXTENSION**

Delivery: **Easy** Standard

Part	Article-Nr.	A
318	31802	M8
318	31801	M10
318	31803	M12

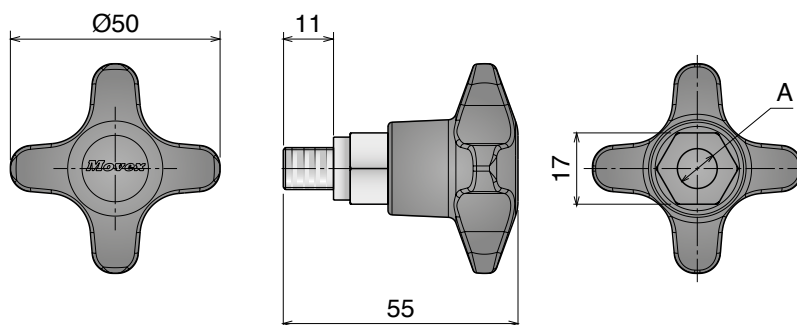


## 319 Volantino Star knob / Sterngriff

**RANGE EXTENSION**

Delivery: **Easy** Standard

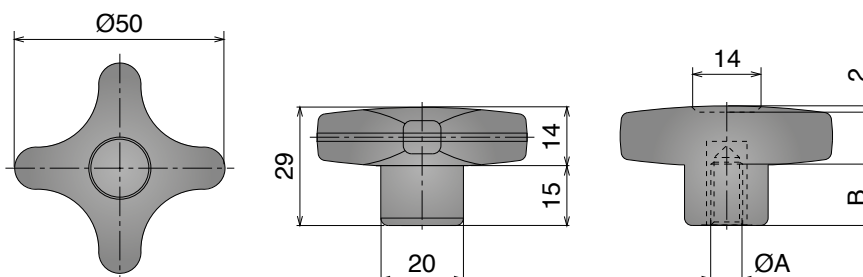
Part	Article-Nr.	A
319	31903	M8
319	31901	M10
319	31904	M12



## 3001 Volantino a croce con boccola filettata Star knob with threaded bush / Sterngriff mit Innengewinde

**RANGE EXTENSION**

Part	Article-Nr.	ØA	Threaded bush	B
3001	300103	M8	Stainless steel	14
3001	300101	M10	Stainless steel	14
3001	300105	M12	Stainless steel	18
3001	300104	M8	Brass	14
3001	300102	M10	Brass	14
3001	300106	M12	Brass	18



# 317-320-3007

Componenti / Conveyor components / Komponenten

Materiali / Material / Materialien:

Part. 317: Acciaio inox / Stainless steel / Edelstahl

Part. 320: Poliammide + ottone nichelato / Polyamide + nickel plated brass / Polyamid + messing vernickelt

Part.3007: Poliammide + ottone / Polyamide + brass / Polyamid + messing

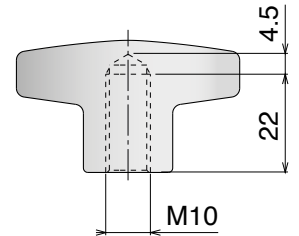
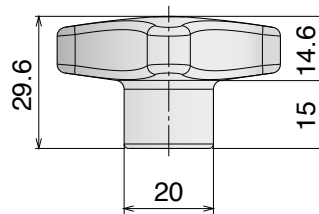
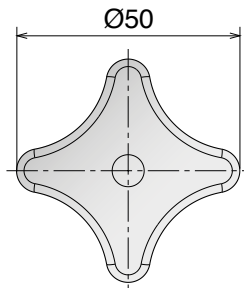
## NEW 317

Volantino Acciaio inox  
Star knob stainless steel / Sterngriff Edelstahl

Stainless Steel | AISI 304

Delivery: **Easy** Standard

Part	Article-Nr.	ØA
317	31721	M10

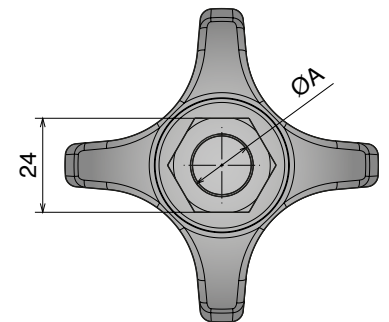
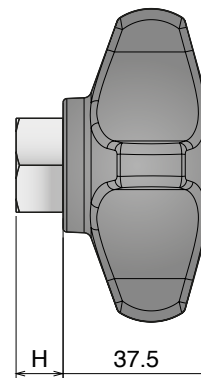
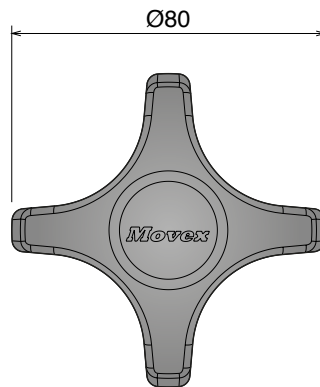


## 320

Volantino Ø80  
Star knob Ø80 / Sterngriff Ø80

Delivery: **Easy** Standard

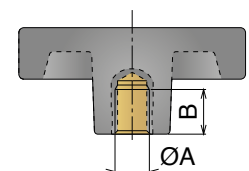
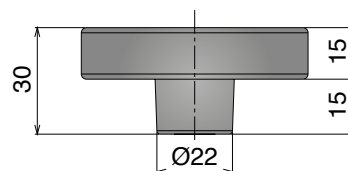
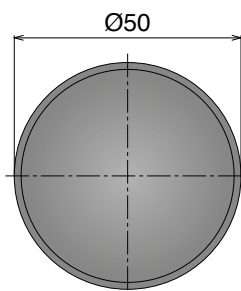
Part	Article-Nr.	ØA	H
320	32001	M12	12
320	32002KN	M16	15



## NEW 3007

Impugnatura con boccola filettata  
Knob with threaded bushing / Drehgriff mit Gewindebuchse

Part	Article-Nr.	ØA	B
3007	300701	M8	15
3007	300702	M10	14
3007	300703	M12	18



**Materiale / Material / Materialien:**

Part. 3008: Poliammide + acciaio zincato / Polyamide + galvanised steel

Polyamid + verzinktem stahl

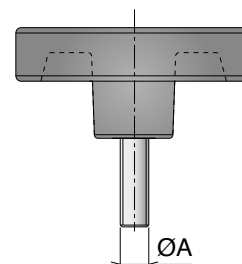
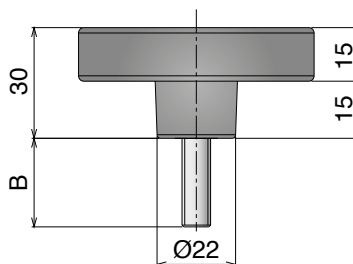
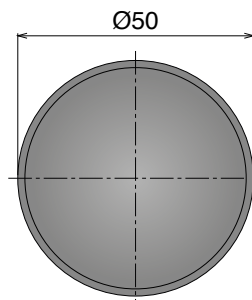
Part. 3002: Poliammide + ottone / Polyamide + brass / Polyamid + messing

# 3008-3002

Componenti / Conveyor components / Komponenten

**NEW 3008** Impugnatura con perno filettato  
Knob with threaded pin / Drehgriffschraube

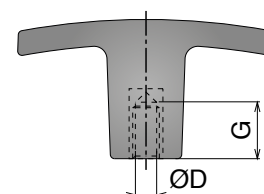
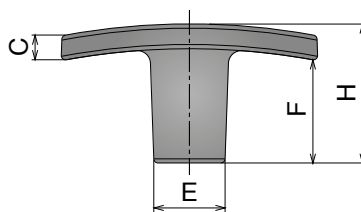
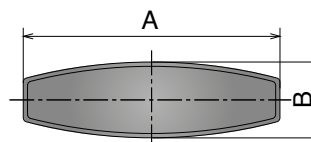
Part	Article-Nr.	ØA	B
3008	300801	M8	25
3008	300802	M10	25
3008	300803	M12	30



**3002** Tirante con boccola filettata  
Handle with threaded insert / T-Griff mit Innengewinde

Delivery: **Easy** Standard

Part	Article-Nr.	A	B	C	ØD	E	F	G	H
3002	300201	50	15	5	M6	14	17	10	24
3002	300202	50	15	5	M8	14	17	14	24
3002	300203	60	18	6	M10	16.5	24	21	33



# 324-325-3009

Componenti / Conveyor components / Komponenten

• **Materiale / Material / Materialien:** Morsetti: PA/Clamp: PA/Klemme: PA  
 Vite, perno e rondella: Acciaio inox/Screw, pin and washer: Stainless steel  
 Schraube, Bolzen und Scheibe: Edelstahl  
 Dado: ottone nichelato/Nut: nickel plated brass/Mutter: Messing vernickelt

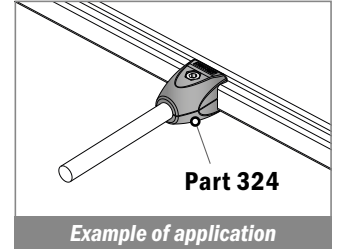
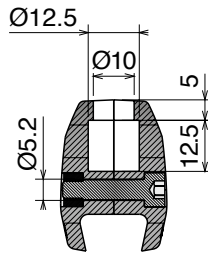
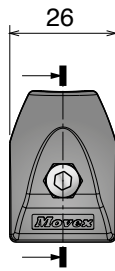
## 324

Morsetto singolo per guida laterale conica  
 Single clamp for conical side guide / Einfachklemme für konische Seitenführung

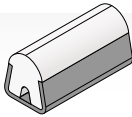
NOW ALSO IN HYGIENIC BLUE

Delivery: **Easy** **Standard** Used with Part 349/350 Pag 478 and Part 356 Pag 481

Part	Article-Nr.	ØA	Colour
324	32401	without pin	Black
324	32451	without pin	Hygienic blue



Used with  
**Guide rail**  
 Pag 348



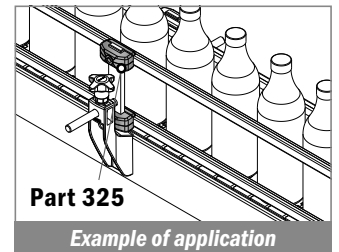
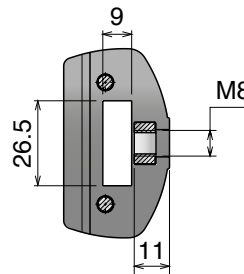
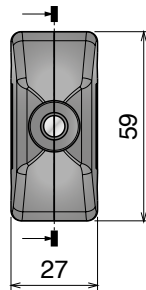
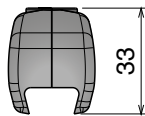
## 325

Morsetto singolo per guida laterale conica  
 Single clamp for conical side guide / Einfachklemme für konische Seitenführung

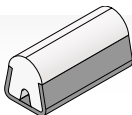
NOW ALSO IN HYGIENIC BLUE

Delivery: **Easy** **Standard** Used with Part 351 Pag 478 and Part 352/3004/3005 Pag 479 (Thread M8)

Part	Article-Nr.	ØA	Colour
325	32501	without pin	Black
325	32551	without pin	Hygienic blue



Used with  
**Guide rail**  
 Pag 348



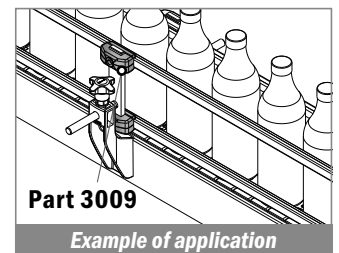
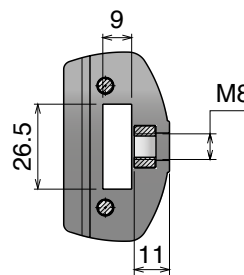
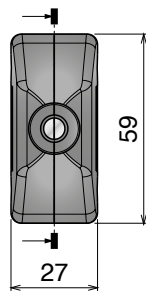
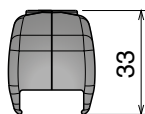
## NEW 3009

Morsetto singolo per guida laterale  
 Single clamp for side guide / Einfachklemme für Seitenführung

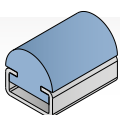
NOW ALSO IN HYGIENIC BLUE

Delivery: **Easy** **Standard** Used with Part 351 Pag 478 and Part 352/3004/3005 Pag 479 (Thread M8)

Part	Article-Nr.	ØA	Colour
3009	300901	without pin	Black
3009	300902	without pin	Hygienic blue



Used with  
**PART 134**  
 Pag 383



**Materiale / Material / Materialien:**

Part. 326: Poliammide/Polyamide/Polyamid

Part. 3013: Acciaio inox / Stainless steel / Edelstahl

Part. 3010: Acciaio inox / Stainless steel / Edelstahl

# 326-3013-3010

Componenti / Conveyor components / Komponenten

## 326

**Morsetto singolo per guida laterale conica**  
*Single clamp for conical side guide / Einfachklemme für konische Seitenführung*

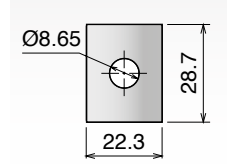
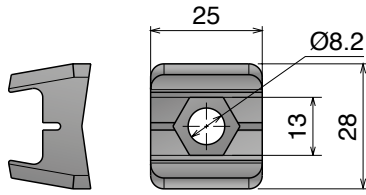
**NOW ALSO IN HYGIENIC BLUE**

Delivery: **Easy** **Standard**

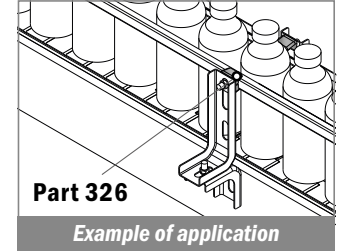
Part	Article-Nr.	Colour
326	32601	Black
326	32651	Hygienic blue

326	32601	Black
326	32651	Hygienic blue

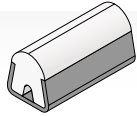
326	32601	Black
326	32651	Hygienic blue



**Reinforced plate** **33201**  
 3 mm thickness



Used with  
**Guide rail**  
 Pag 348



**Part 326**

*Example of application*

**NEW**

## 3013

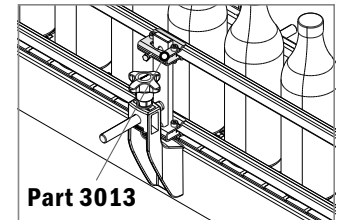
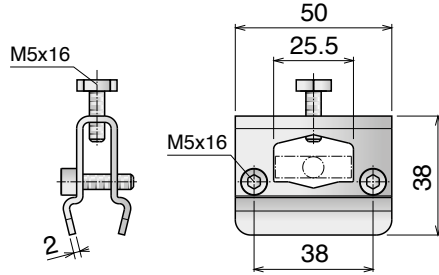
**Morsetto singolo per guida laterale conica**  
*Single clamp for conical side guide / Einfachklemme für konische Seitenführung*

**Stainless Steel | AISI 304**

Delivery: **Easy** **Standard** Screws supplied not assembled

Part	Article-Nr.	Suitable for
3013	301301	● 12/14/15/16 ■ 25x6/25x8

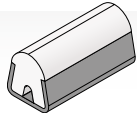
3013	301301	● 12/14/15/16 ■ 25x6/25x8
------	--------	---------------------------



**Part 3013**

*Example of application*

Used with  
**Guide rail**  
 Pag 348



**NEW**

## 3010

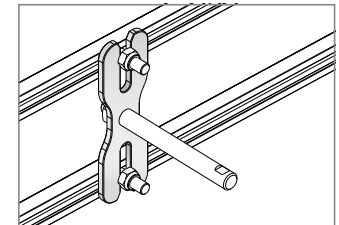
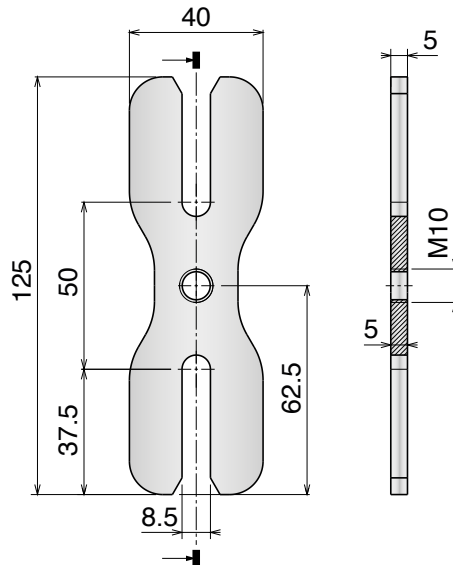
**Morsetto doppio regolabile**  
*Adjustable double clamp / Einstellbare Doppelklemme*

**Stainless Steel | AISI 304**

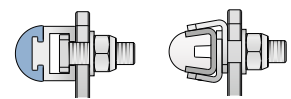
Delivery: **Easy** **Standard** Used with Part 351 Pag 478 and Part 352 Pag 479 (Thread M10)

Part	Article-Nr.	ØA
3010	301001	without pin

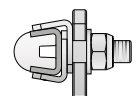
3010	301001	without pin
------	--------	-------------



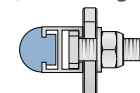
**One product for different combinations:**



Aluminum guide



Conical guide rail



Guide rail

*Example of application*

# 327-3012

Componenti / Conveyor components / Komponenten

## Materiale / Material / Materialien:

Morsetto: PA/Clamp: PA/Klemme: PA

Perno e rondella: Acciaio inox/Pin and washer: Stainless steel/Bolzen und Scheibe: Edelstahl  
Dado: ottone nichelato/Nut: nickel plate brass/Mutter: Messing vernickelt

## 327

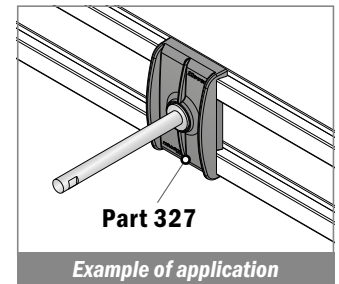
Morsetto doppio per guida laterale conica

Double clamp for conical side guide / Doppelklemme für konische Seitenführung

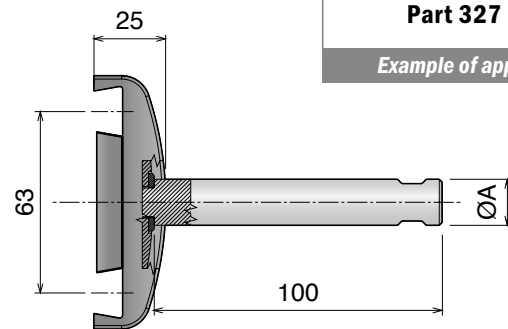
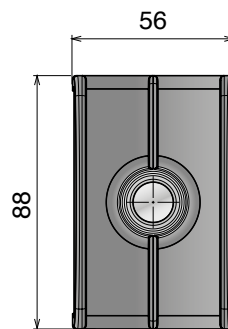
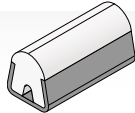
NOW ALSO IN HYGIENIC BLUE

Delivery: **Easy** **Standard** Used with Part 351 Pag 478 and Part 352 Pag 479 (Thread M10)

Part	Article-Nr.	ØA	Colour
327	32701	without pin	Black
327	32702	12	Black
327	32703	16	Black
327	32751	without pin	Hygienic blue
327	32752	12	Hygienic blue
327	32753	16	Hygienic blue



Used with  
**Guide rail**  
Pag 348



## NEW 3012

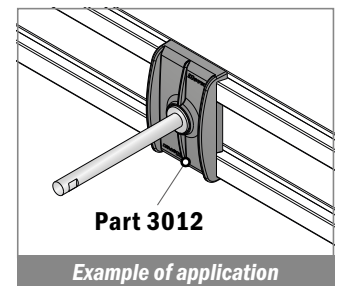
Morsetto doppio per guida laterale

Double clamp for side guide / Doppelklemme für Seitenführung

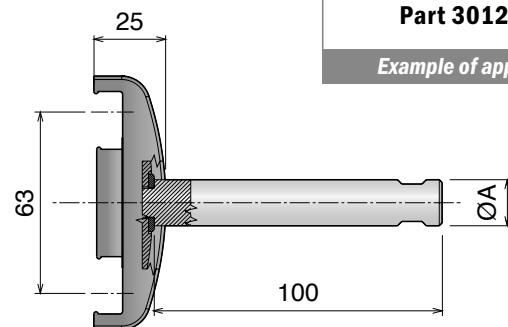
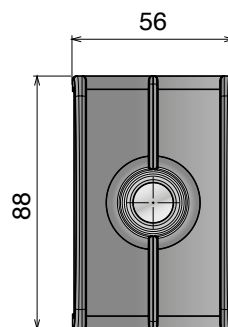
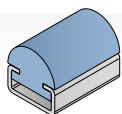
NOW ALSO IN HYGIENIC BLUE

Delivery: **Easy** **Standard** Used with Part 351 Pag 478 and Part 352 Pag 479 (Thread M10)

Part	Article-Nr.	ØA	Colour
3012	301201	without pin	Black
3012	301202	12	Black
3012	301203	16	Black
3012	301251	without pin	Hygienic blue
3012	301252	12	Hygienic blue
3012	301253	16	Hygienic blue



Used with  
**PART 134**  
Pag 383





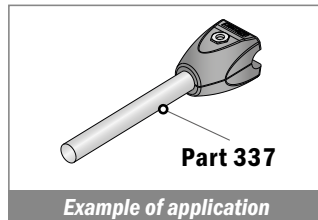
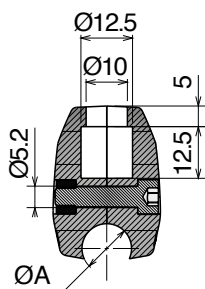
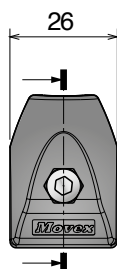
• **Materiale / Material / Materialien:** Morsetti: PA/Clamp: PA/Klemme: PA  
 Vite, perno e rondella: Acciaio inox/Screw, pin and washer: Stainless steel  
 Schraube, Bolzen und Scheibe: Edelstahl  
 Dado: ottone nichelato/Nut: nickel plated brass/Mutter: Messing vernickelt

## 337 Morsetto singolo per tondino Single clamp for round bar / Einfachklemme für Rund Profil

NOW ALSO IN HYGIENIC BLUE

Delivery: **Easy** **Standard** Used with Part 349/350 Pag 478 and Part 356 Pag 481

Part	Article-Nr.	ØA	Colour
337	33701	10	Black
337	33702	12	Black
337	33751	10	Hygienic blue
337	33752	12	Hygienic blue

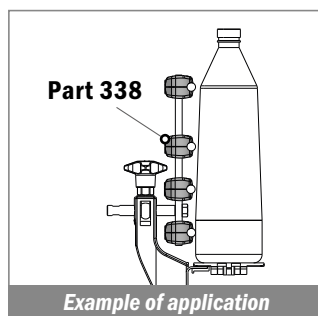
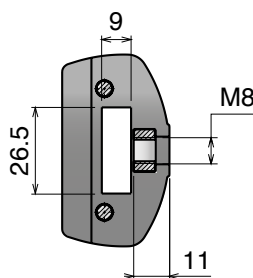
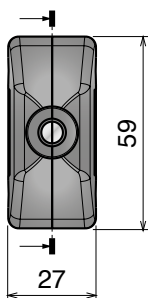
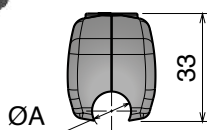


## 338 Morsetto singolo per tondino Single clamp for round bar / Einfachklemme für Rund Profil

NOW ALSO IN HYGIENIC BLUE

Delivery: **Easy** **Standard** Used with Part 351 Pag 478 and Part 352/3004/3005 Pag 479 (Thread M8)

Part	Article-Nr.	ØA	Colour
338	33801	10	Black
338	33802	12	Black
338	33851	10	Hygienic blue
338	33852	12	Hygienic blue

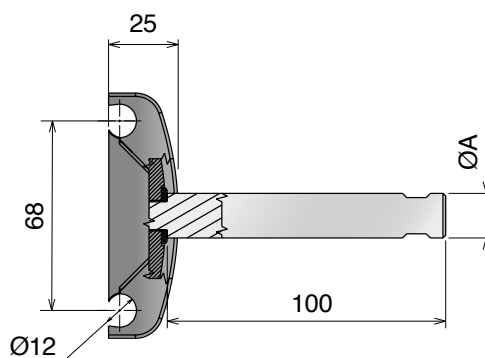
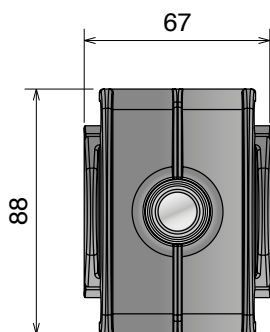
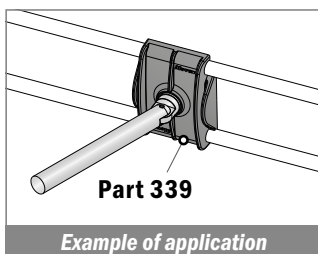


## 339 Morsetto doppio per tondino Double clamp for round bar / Doppelklemme für Rund Profil

NOW ALSO IN HYGIENIC BLUE

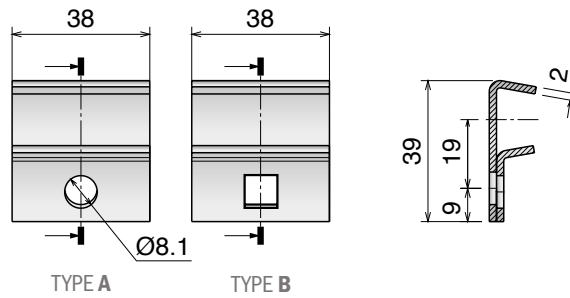
Delivery: **Easy** **Standard** Used with Part 351 Pag 478 and Part 352 Pag 479 (Thread M10)

Part	Article-Nr.	ØA	Colour
339	33901	without pin	Black
339	33902	12	Black
339	33904	14	Black
339	33903	16	Black
339	33951	without pin	Hygienic blue
339	33952	12	Hygienic blue
339	33954	14	Hygienic blue
339	33953	16	Hygienic blue

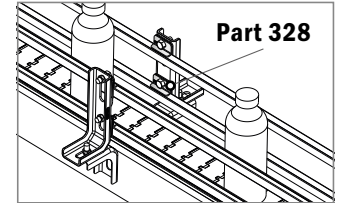


## 328 Morsetto singolo per guida laterale conica Single clamp for conical side guide / Einfachklemme für konische Seitenführung

Delivery: **Easy** **Standard** Used with Guide rail Pag 348



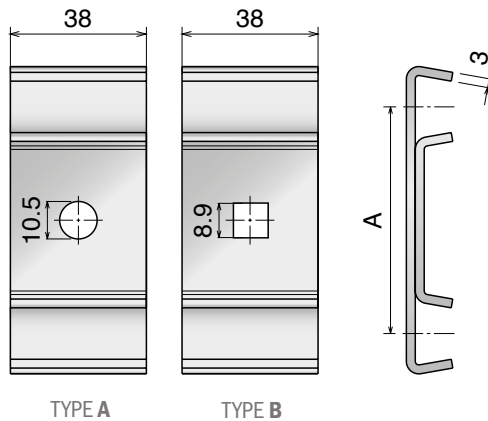
Part	Article-Nr.	Material	Type
328	32801	AISI 304	A
328	32802	AISI 304	B
328	32811	AISI 316	A



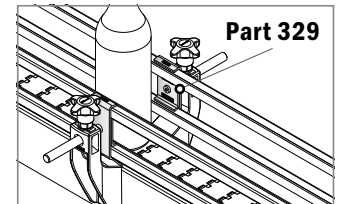
Example of application

## 329 Morsetto doppio per guida laterale conica Double clamp for conical side guide / Doppelklemme für konische Seitenführung

Delivery: **Easy** **Standard** Used with Guide rail Pag 348



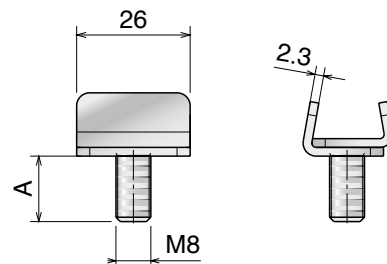
Part	Article-Nr.	A	Type
329	32904	50,0	A
329	32901	63,5	A
329	32902	82,55	A
329	32903	95,25	A
329	32911	63,5	B
329	32912	82,55	B
329	32913	95,25	B



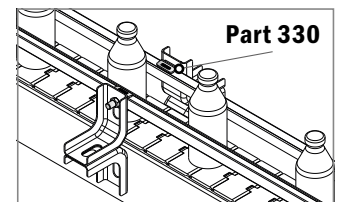
Example of application

## 330 Morsetto singolo per guida laterale conica Single clamp for conical side guide / Einfachklemme für konische Seitenführung

Delivery: **Easy** **Standard** Used with Guide rail Pag 348



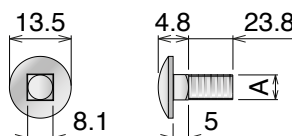
Part	Article-Nr.	A
330	33001	15
330	33003	20
330	33002	25
330	33004	30



Example of application

## NEW 362 Vite con quadro sotto testa sferica Bolt with round head and square neck / Flachrundschaube mit Vierkantansatz

Delivery: **Easy** **Standard** Used with Part 328 and Part 329 (See above)



Part	Article-Nr.	A
362	36271	M8

**Materiale / Material / Materialien:** Acciaio inox/Stainless steel/Edelstahl  
 Morsetto: Resina acetica/Clamp: Acetal resin/Klemme: Azetal  
 Vite, perno e dado: Acciaio inox/Screw, pin and nut: Stainless steel  
 Schraube, Bolzen und Mutter: Edelstahl

# 390-392-393-336

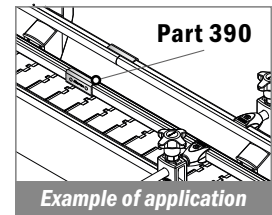
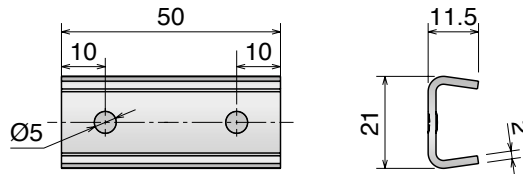
Componenti / Conveyor components / Komponenten

## 390 Elemento di giunzione Connecting element / Verbinder

Delivery: **Easy** **Standard** Used with Guide rail Pag 348

Part Article-Nr.

390 39001



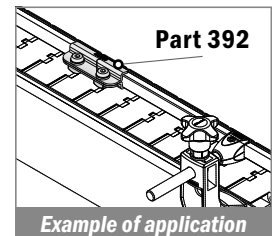
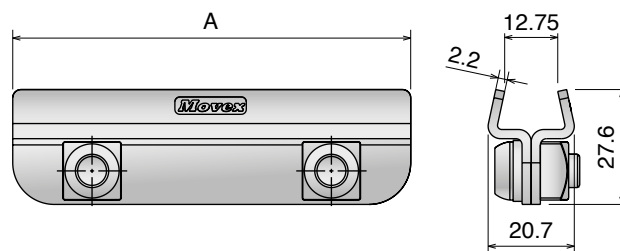
Example of application

## 392 Elemento di connessione Connecting clamp / Verbindungsklemme

Delivery: **Easy** **Standard** Used with Guide rail Pag 348

Part Article-Nr. A

392	39201	75
392	39202	100
392	39203	150



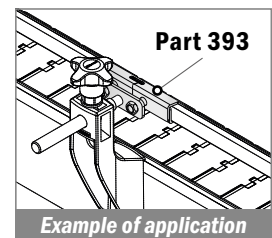
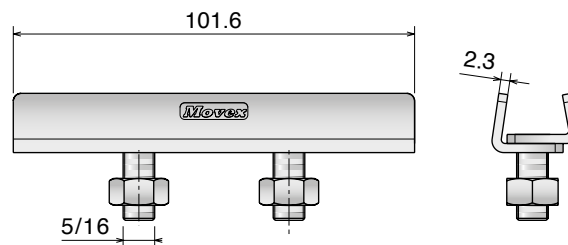
Example of application

## 393 Elemento di connessione Connecting clamp / Verbindungsklemme

Delivery: **Easy** **Standard** Used with Guide rail Pag 348

Part Article-Nr.

393 39302



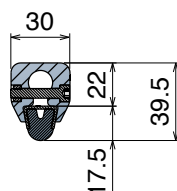
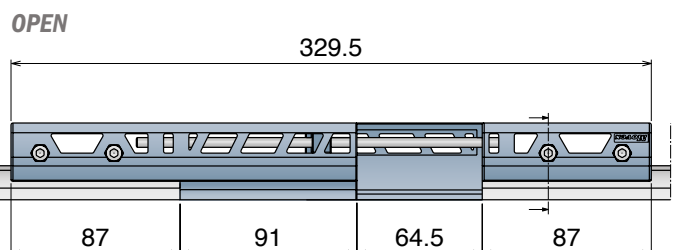
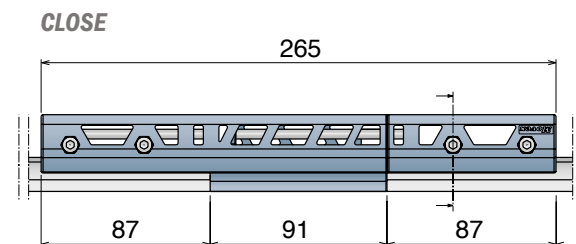
Example of application

## 336 Morsetto regolabile guide coniche Adjustable clamp for conical guide / verstellbare Klemme für konische Führungen

Delivery: **Easy** **Standard** Used with Guide rail Pag 348

Part Article-Nr.

336 33601

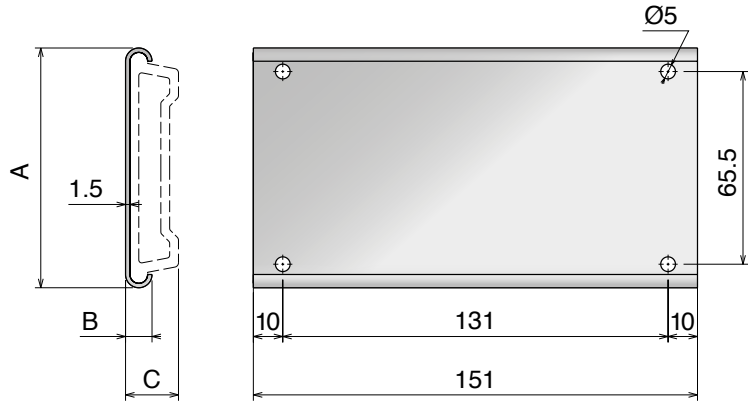
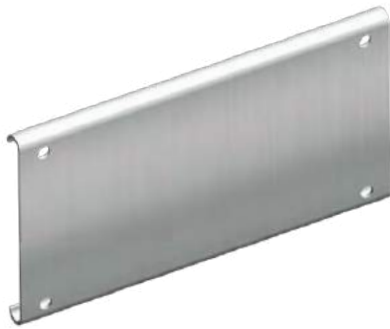


Materiali / Material / Materialien: Acciaio inox/Stainless steel/Edelstahl  
 Morsetto: PA/Clamp: PA/Klemme: PA  
 Vite, perno e rondella: Acciaio inox/Screw, pin and washer: Stainless steel/Schraube, Bolzen und Scheibe: Edelstahl  
 Dado: ottone nichelato/Nut: nickel plated brass/Mutter: Messing vernickelt

## 394 Morsetto di giunzione Joint clamp / Verbindungsplatte

Delivery: **Easy** **Standard** Used with Part 135/136 Pag 400

Part	Article-Nr.	A	B	C
394	39401	81,5	9	18
394	39402	90	8	17



## 341 Morsetto Clamp / Klemme

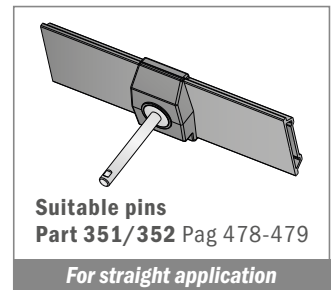
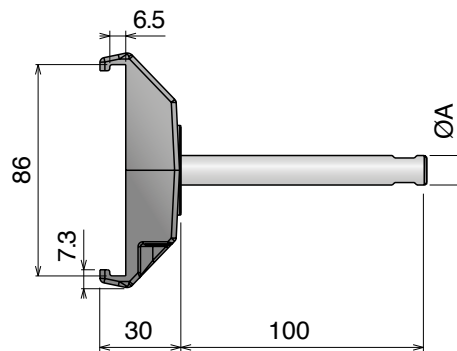
Delivery: **Easy** **Standard** Versions without pins don't include nuts and washer too

**NOW ALSO IN HYGIENIC BLUE**

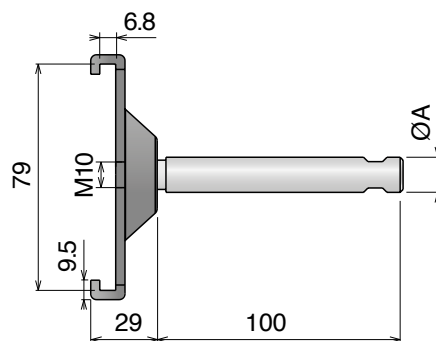
Part	Article-Nr.	ØA	Colour
341	34101	without pin	Black
341	34102	12	Black
341	34103	16	Black
341	34151	without pin	Hygienic blue
341	34152	12	Hygienic blue
341	34153	16	Hygienic blue



TYPE A  
Used with Part 136 Pag 400

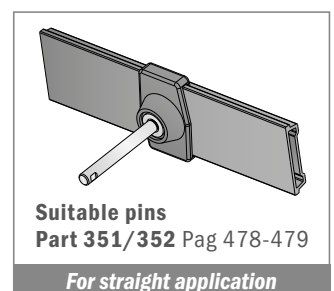


TYPE B  
Used with Part 135 Pag 400



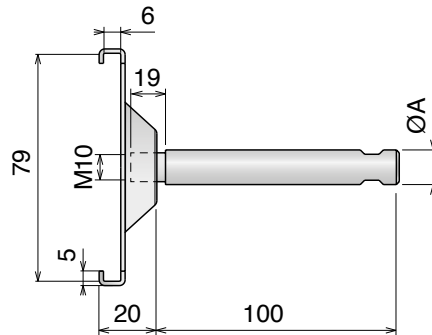
**NOW ALSO IN HYGIENIC BLUE**

Part	Article-Nr.	ØA	Colour
341	34111	without pin	Black
341	34112	12	Black
341	34113	16	Black
341	34161	without pin	Hygienic blue
341	34162	12	Hygienic blue
341	34163	16	Hygienic blue



## 3310 Morsetto acciaio inox Clamp, stainless steel / Klemme, Edelstahl

Delivery: **Easy** **Standard** Used with Part 135 Pag 400 - Suitable pins Part 351/352 Pag 478-479

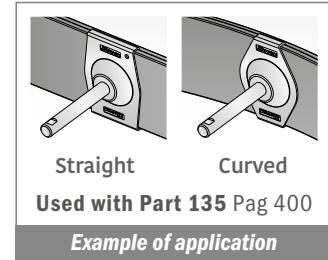


For straight application

Part	Article-Nr.	ØA
3310	33101	without pin
3310	33102	12
3310	33103	16

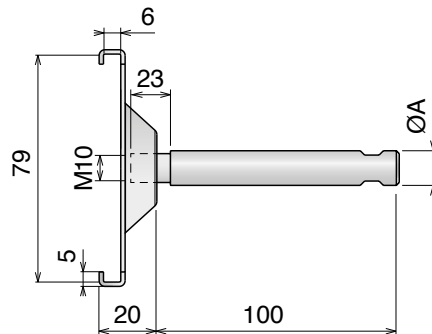
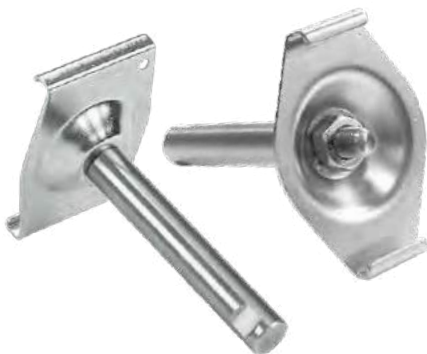
For curved application

Part	Article-Nr.	ØA
3310	33105	without pin
3310	33106	12
3310	33107	16



## 3311 Morsetto acciaio inox Clamp, stainless steel / Klemme, Edelstahl

Delivery: **Easy** **Standard** Suitable pins Part 3004/3005 Pag 479

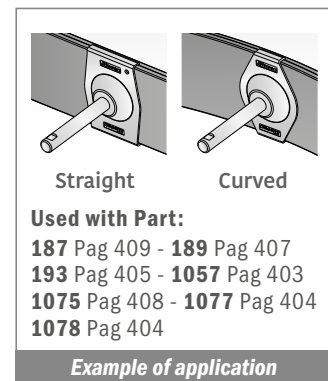


For straight application

Part	Article-Nr.	ØA
3311	33112	12
3311	33113	16

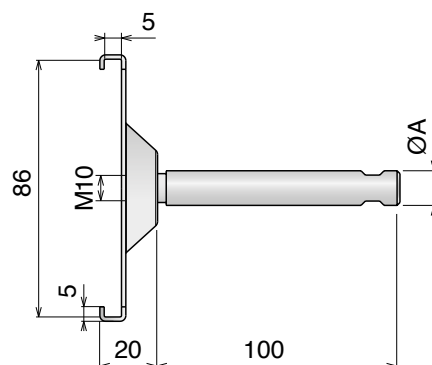
For curved application

Part	Article-Nr.	ØA
3311	33116	12
3311	33117	16

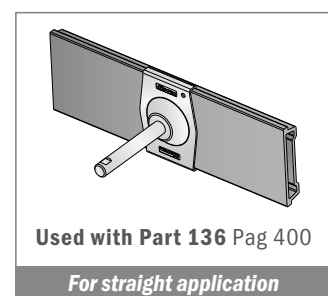


## 345 Morsetto acciaio inox Clamp, stainless steel / Klemme, Edelstahl

Delivery: **Easy** **Standard** Suitable pins Part 351/352 Pag 478-479

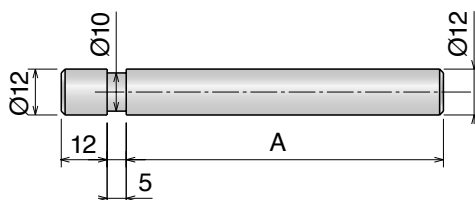


Part	Article-Nr.	ØA
345	34501	without pin
345	34502	12
345	34503	16

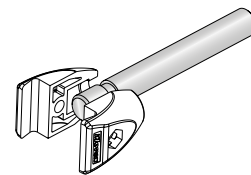


## 349 Perno Rod / Bolzen

Delivery: **Easy** **Standard**



Part	Article-Nr.	A
349	34901	80
349	34902	100
349	34903	150

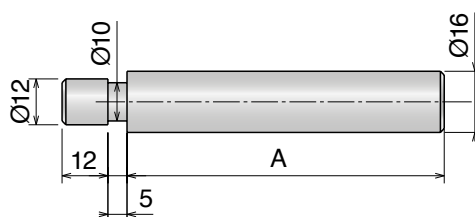


Used with Part:  
324 Pag 470 - 337 Pag 473

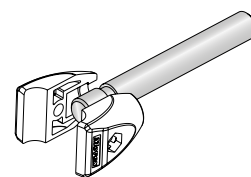
Example of application

## 350 Perno Rod / Bolzen

Delivery: **Easy** **Standard**



Part	Article-Nr.	A
350	35001	80
350	35002	100
350	35003	150

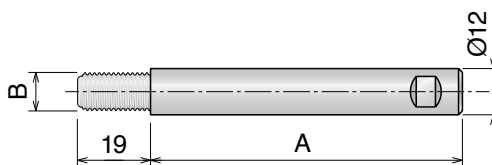


Used with Part:  
324 Pag 470 - 337 Pag 473

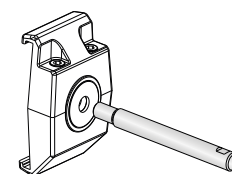
Example of application

## 351 Perno Rod / Bolzen

Delivery: **Easy** **Standard**



Part	Article-Nr.	A	B
351	35101	80	M10
351	35102	100	M10
351	35103	150	M10
351	35151	80	M8
351	35152	100	M8
351	35153	150	M8

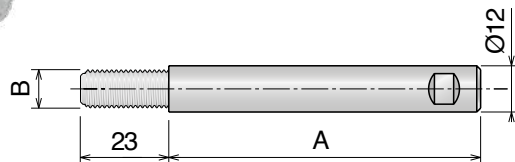


Used with Part:  
341 Pag 476 - 345 Pag 477  
3310 Pag 477

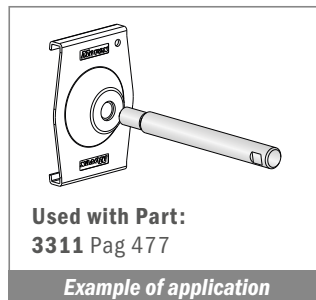
Example of application

## NEW 3004 Perno Rod / Bolzen

Delivery: **Easy** **Standard**

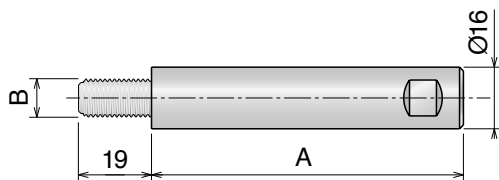


Part	Article-Nr.	A	B
3004	300401	80	M10
3004	300402	100	M10
3004	300403	150	M10
3004	300451	80	M8
3004	300452	100	M8
3004	300453	150	M8

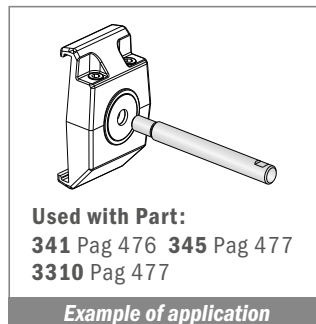


## 352 Perno Rod / Bolzen

Delivery: **Easy** **Standard**

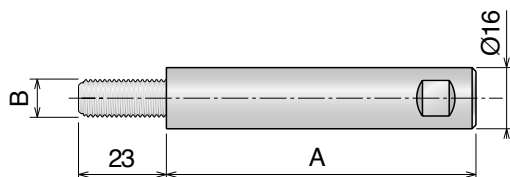


Part	Article-Nr.	A	B
352	35201	80	M10
352	35202	100	M10
352	35203	150	M10
352	35251	80	M8
352	35252	100	M8
352	35253	150	M8

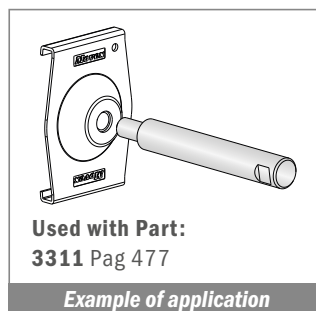


## NEW 3005 Perno Rod / Bolzen

Delivery: **Easy** **Standard**

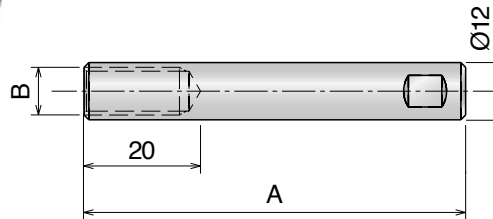


Part	Article-Nr.	A	B
3005	300501	80	M10
3005	300502	100	M10
3005	300503	150	M10
3005	300551	80	M8
3005	300552	100	M8
3005	300553	150	M8

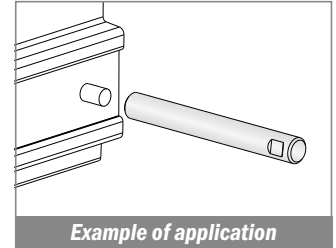


## 347 Perno filettato femmina Rod / Bolzen

Delivery: **Easy** **Standard**

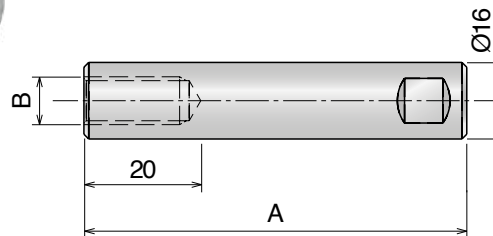


Part	Article-Nr.	A	B
347	34701	80	M10
347	34702	100	M10
347	34703	150	M10
347	34751	80	M8
347	34752	100	M8
347	34753	150	M8

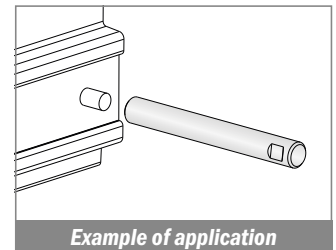


## 348 Perno filettato femmina Rod / Bolzen

Delivery: **Easy** **Standard**

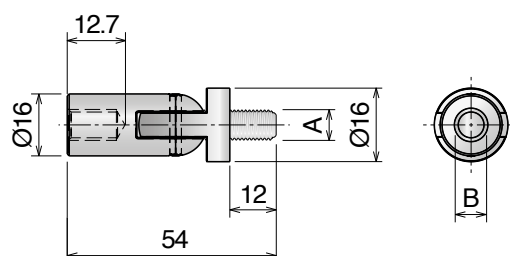


Part	Article-Nr.	A	B
348	34801	80	M10
348	34802	100	M10
348	34803	150	M10
348	34851	80	M8
348	34852	100	M8
348	34853	150	M8

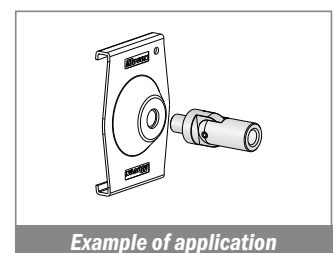


## 346 Snodo Joint rod adapter / Gelenk

Delivery: **Easy** **Standard**



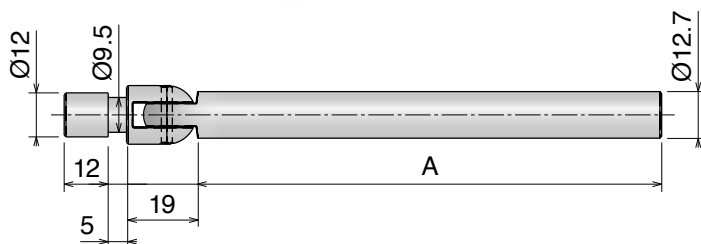
Part	Article-Nr.	A	B
346	34699	M8	M8
346	34602	M8	M10
346	34603	M10	M10



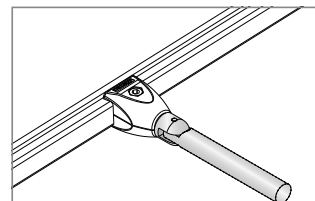


## 356 Perno snodato Jointed rods / Gelenkbolzen

Delivery: **Easy** **Standard**



Part	Article-Nr.	A
356	35601	80
356	35602	100
356	35603	150

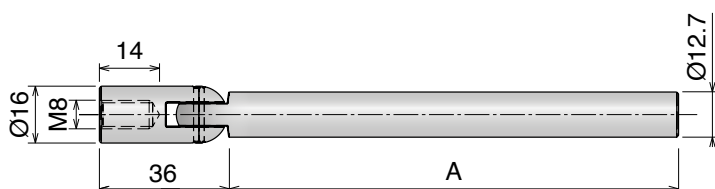


Used with Part:  
 324 Pag 470  
 337 Pag 473

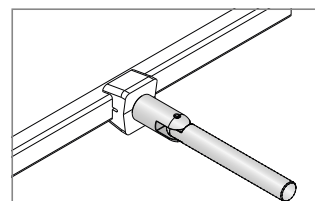
Example of application

## 357 Perno snodato Jointed rods / Gelenkbolzen

Delivery: **Easy** **Standard**



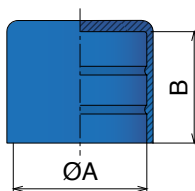
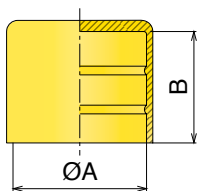
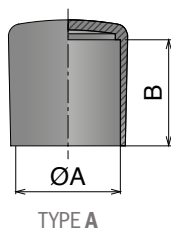
Part	Article-Nr.	A
357	35701	80
357	35702	100
357	35703	150



Example of application

## NEW 3011 Cappucci terminali End caps / Abdeckstopfen

Delivery: **Easy** **Standard**



Part	Article-Nr.	ØA	B	Colour	Type	Box
3011	301101A	Ø12	12,3	Black	A	100 pcs
3011	301102A	Ø14	12,8	Black	A	100 pcs
3011	301103A	Ø16	16,4	Black	A	100 pcs
3011	301104A	Ø20	20,1	Black	A	100 pcs
3011	301101B	Ø12	20	Yellow	B	100 pcs
3011	301102B	Ø14	20	Yellow	B	100 pcs
3011	301103B	Ø16	20	Yellow	B	100 pcs
3011	301104B	Ø20	20	Yellow	B	100 pcs
3011	301101C	Ø12	20	Hygienic blue	C	100 pcs
3011	301102C	Ø14	20	Hygienic blue	C	100 pcs
3011	301103C	Ø16	20	Hygienic blue	C	100 pcs
3011	301104C	Ø20	20	Hygienic blue	C	100 pcs

**Materiale / Material / Materialien:**  
 Polietilene HMW-PE / Polyethylene HMW-PE / Polyethylen HMW-PE  
 Rulli: resina acetalica o gomma SEBS / Rollers: Acetal Resin or SEBS rubber / Röllchen: Azetal oder SEBS gummi

## 335 Guide a rulli laterale Roller guides / Röllchenführung

**PATENTED**

Max fixing load M8 screw: 15 N/m | Minimum internal and external radius: R305



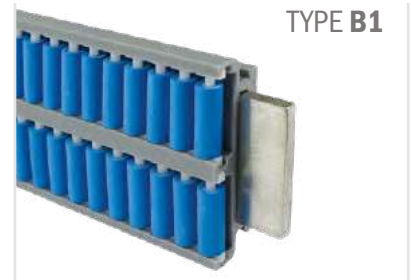
TYPE A

Part	Article-Nr.	Type
335	33502	A



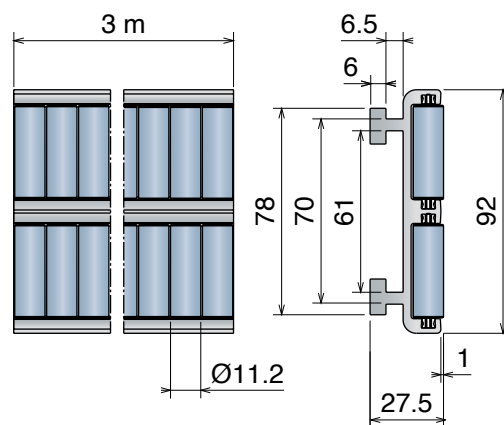
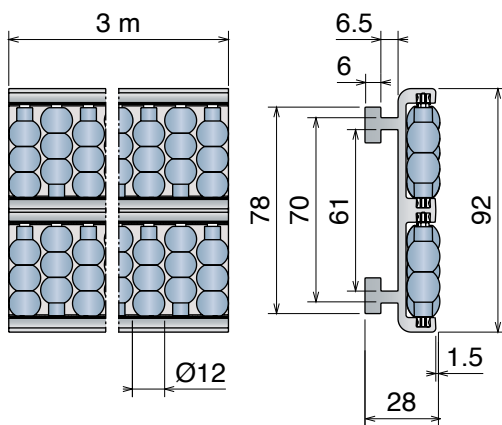
TYPE B

Part	Article-Nr.	Type
335	33504	B



TYPE B1

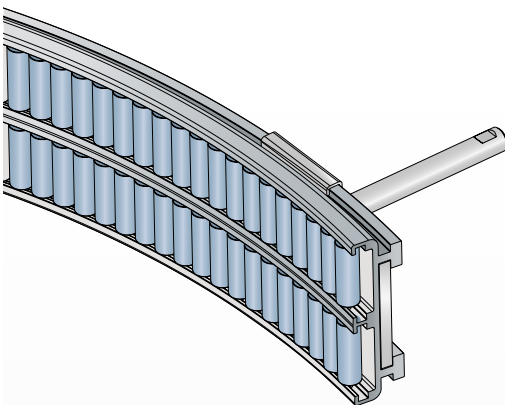
Part	Article-Nr.	Type
335	33506	B1



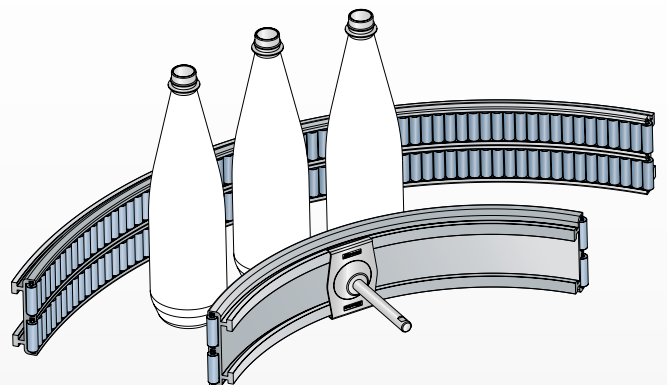
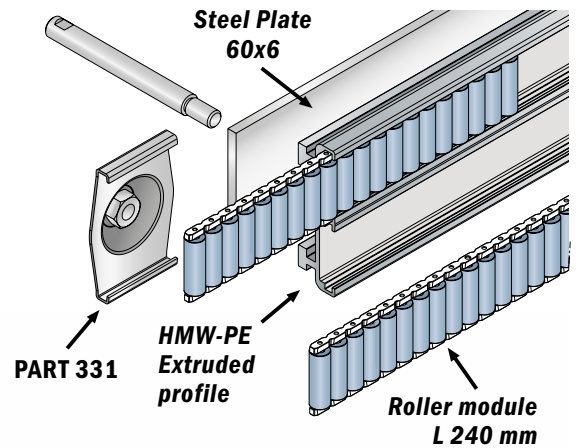
TYPE B1  
 Soft roller  
 SEBS rubber

### Advantages:

- ▶ Noise reduction
- ▶ Improved product stability



Available rollers  
 for bending machine



**Materiale / Material / Materialien:**

Guida: alluminio anodizzato / Guide: anodized aluminum / Führung: eloxiertem Aluminium  
 Rulli: resina acetilica o gomma SEBS / Rollers: Acetal Resin or SEBS rubber / Röllchen: Azetal oder SEBS gummi  
 Vite: Acciaio inox / Screw: Stainless steel / Schrauben: Edelstahl

# 358

## Guide a rulli laterale

### Roller guides / Röllchenführung

Delivery: **Easy** **Standard** Max fixing load M8 screw: 15 N/m



TYPE A

Part	Article-Nr.	Type
358	35802	A



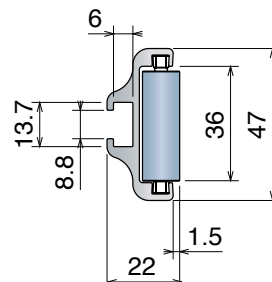
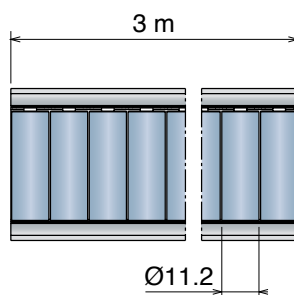
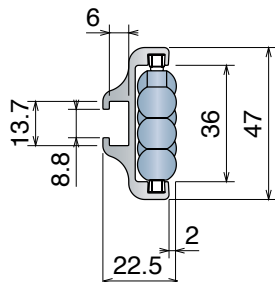
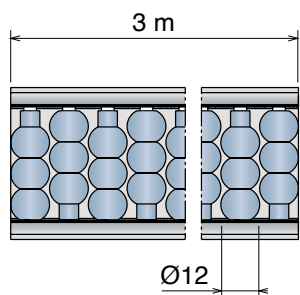
TYPE B

Part	Article-Nr.	Type
358	35804	B



TYPE B1

Part	Article-Nr.	Type
358	35806	B1



**TYPE B1**  
Soft roller  
SEBS rubber

**Roller**  
Pag 425



Fixing screw:  
M8 hex.head  
or **PART 362**  
Pag 493



## Puntale / Shoe / Einlaufschuh



Part	Article-Nr.	Type
364	36401	fresato/machined/gefräst

**Discover more options:**  
Pag 489/490

**Materiale / Material / Materialien:**

Guida: alluminio anodizzato/Guide: anodized aluminum/Führung: eloxiertem Aluminium

Rulli: resina acetica o gomma SEBS/Rollers: Acetal Resin or SEBS rubber/Röllchen: Azetal oder SEBS gummi

Vite: Acciaio inox/Screw: Stainless steel/Schrauben: Edelstahl

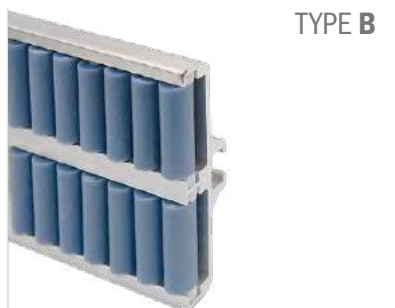
## 359 Guide a rulli laterale Roller guides / Röllchenführung

Delivery: **Easy** **Standard** Max fixing load M8 screw: 15 N/m



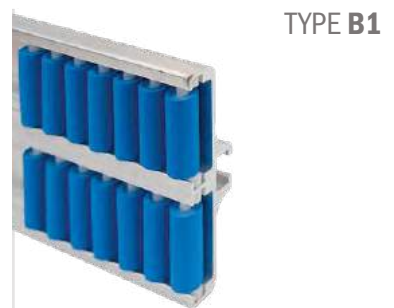
TYPE A

Part	Article-Nr.	Type
359	35902	A



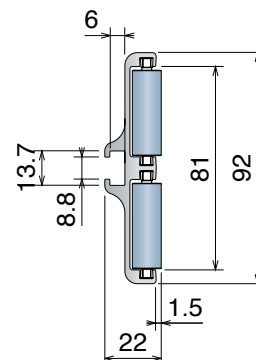
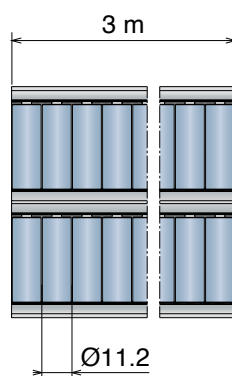
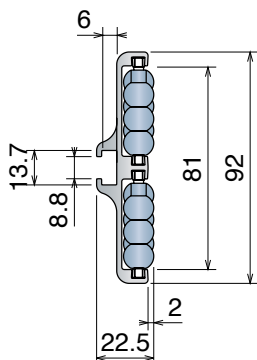
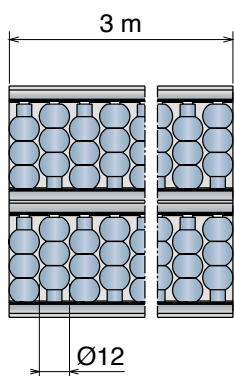
TYPE B

Part	Article-Nr.	Type
359	35904	B



TYPE B1

Part	Article-Nr.	Type
359	35906	B1



**TYPE B1**  
Soft roller  
SEBS rubber

**Roller**  
Pag 425



Fixing screw:  
M8 hex.head  
or **PART 362**  
Pag 493



## Puntale / Shoe / Einlaufschuh



Part	Article-Nr.	Type
365	36501	fresato/machined/gefräst

**Discover more options:**  
Pag 489/490

**Materiale / Material / Materialien:**

Guida: alluminio anodizzato / Guide: anodized aluminum / Führung: eloxiertem Aluminium  
 Rulli: resina acetilica o gomma SEBS / Rollers: Acetal Resin or SEBS rubber / Röllchen: Azetal oder SEBS gummi

# 360

Guide a rulli intermedia  
 Roller guides / Röllchenführung

Delivery: **Easy** **Standard** Max fixing load M8 screw: 15 N/m



TYPE A

Part	Article-Nr.	Type
360	36002	A



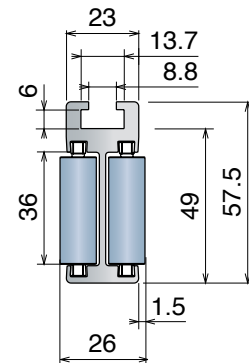
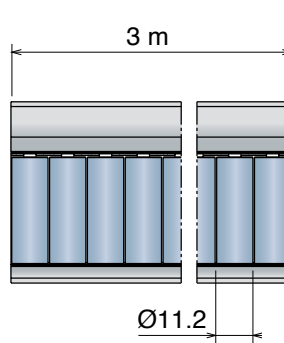
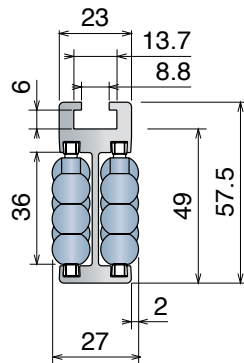
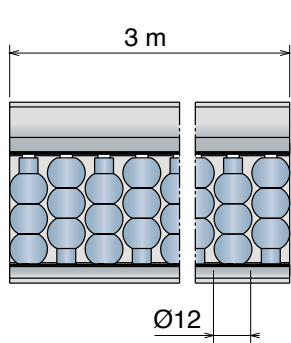
TYPE B

Part	Article-Nr.	Type
360	36004	B



TYPE B1

Part	Article-Nr.	Type
360	36006	B1



TYPE B1  
 Soft roller  
 SEBS rubber

Roller  
 Pag 425



Fixing screw:  
 M8 hex.head  
 or PART 362  
 Pag 493



## Puntale / Shoe / Einlaufschuh



Part	Article-Nr.	Type
366	36601	fresato/machined/gefräst

Discover more options:  
 Pag 489/490

**Materiale / Material / Materialien:**


Guida: alluminio anodizzato / Guide: anodized aluminum / Führung: eloxiertem Aluminium  
 Rulli: resina acetica o gomma SEBS / Rollers: Acetal Resin or SEBS rubber / Röllchen: Azetal oder SEBS gummi

## 360 Guide a rulli intermedia Roller guides / Röllchenführung

**REINFORCED VERSION**


Max fixing load M8 screw: 15 N/m

**TYPE A**



Part	Article-Nr.	Type
360	36012	A

**TYPE B**

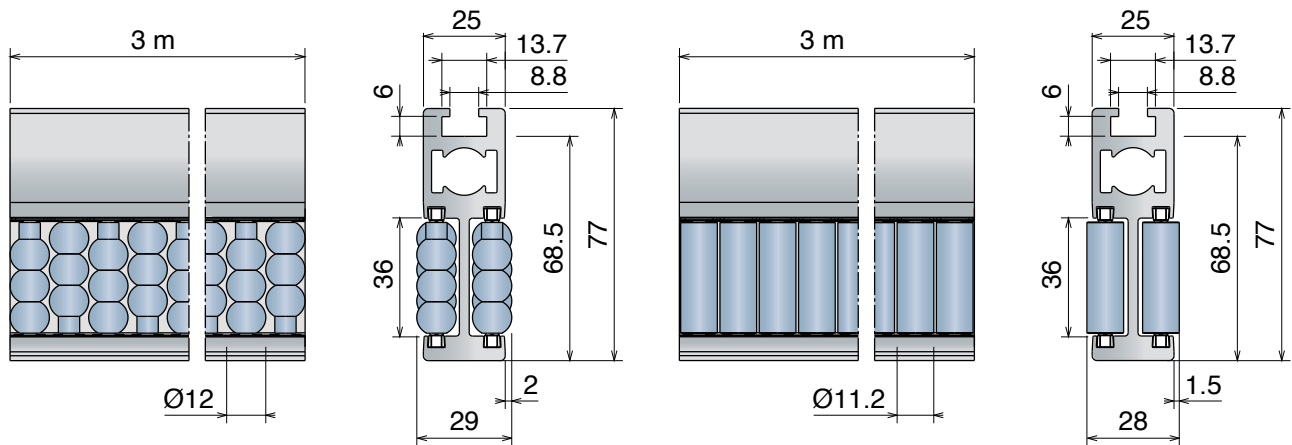


Part	Article-Nr.	Type
360	36014	B

**TYPE B1**



Part	Article-Nr.	Type
360	36016	B1



**TYPE B1**  
 Soft roller  
 SEBS rubber

**Roller**  
 Pag 425



**Fixing screw:**  
 M8 hex.head  
 or **PART 362**  
 Pag 493

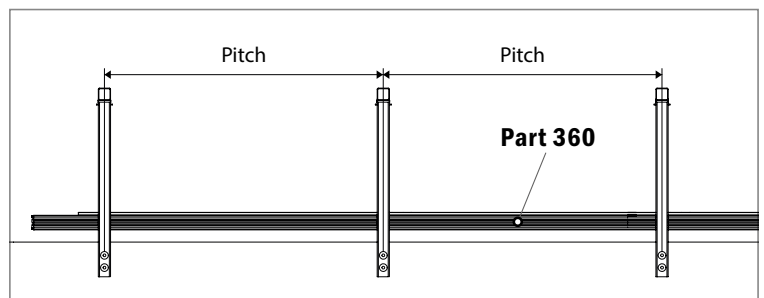


### Puntale / Shoe / Einlaufschuh



Part	Article-Nr.	Type
366	36601	fresato/machined/gefräst

Discover more options: Pag 489/490



**Part 360 Reinforced version** is a reliable roller guides solution, the new robust design permits less support elements and allows higher pitches.

Example of application

**Materiale / Material / Materialien:**

Guida: alluminio anodizzato / Guide: anodized aluminum / Führung: eloxiertem Aluminium  
 Rulli: resina acetilica o gomma SEBS / Rollers: Acetal Resin or SEBS rubber / Röllchen: Azetal oder SEBS gummi

## 361 Guide a rulli intermedia Roller guides / Röllchenführung

Delivery: **Easy** **Standard** Max fixing load M8 screw: 15 N/m



TYPE A

Part	Article-Nr.	Type
361	36102	A



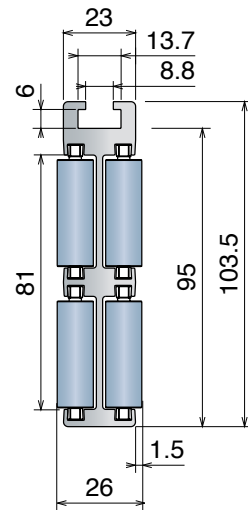
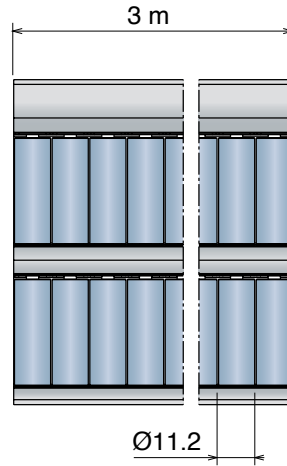
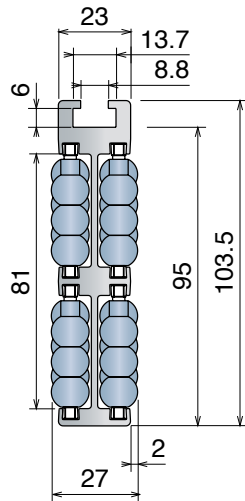
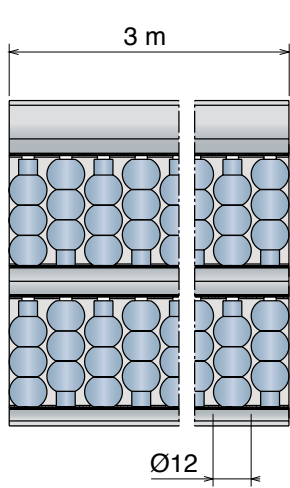
TYPE B

Part	Article-Nr.	Type
361	36104	B



TYPE B1

Part	Article-Nr.	Type
361	36106	B1



**TYPE B1**  
 Soft roller  
 SEBS rubber

**Roller**  
 Pag 425



Fixing screw:  
 M8 hex.head  
 or **PART 362**  
 Pag 493



## Puntale / Shoe / Einlaufschuh



Part	Article-Nr.	Type
367	36701	fresato/machined/gefräst

**Discover more options:**  
 Pag 489/490

**Materiale / Material / Materialien:**

Guida: alluminio anodizzato / Guide: anodized aluminum / Führung: eloxiertem Aluminium  
 Rulli: resina acetalica o gomma SEBS / Rollers: Acetal Resin or SEBS rubber / Röllchen: Azetel oder SEBS gummi

## 361 Guide a rulli intermedia Roller guides / Röllchenführung

**REINFORCED VERSION**

Delivery: **Easy** **Standard** Max fixing load M8 screw: 15 N/m



TYPE A

Part	Article-Nr.	Type
361	36112	A



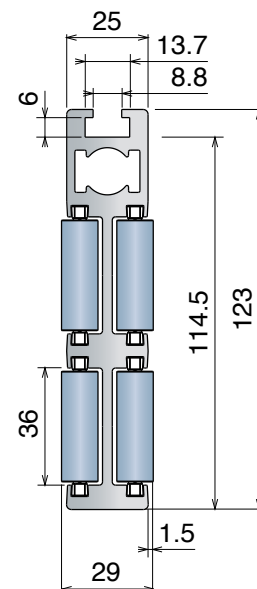
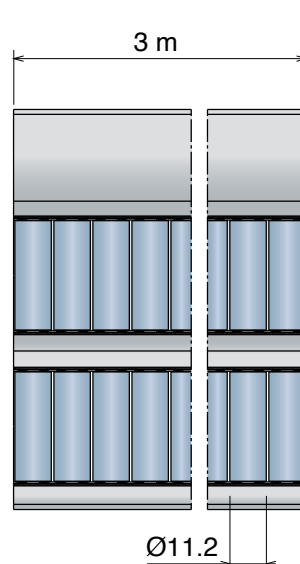
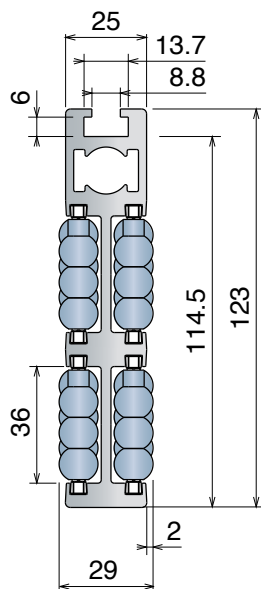
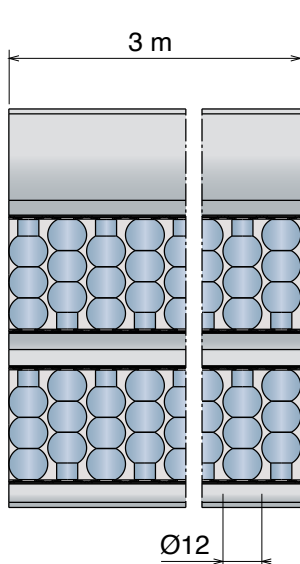
TYPE B

Part	Article-Nr.	Type
361	36114	B



TYPE B1

Part	Article-Nr.	Type
361	36116	B1



**TYPE B1**  
 Soft roller  
 SEBS rubber

**Roller**  
 Pag 425



**Fixing screw:**  
 M8 hex.head  
 or **PART 362**  
 Pag 493

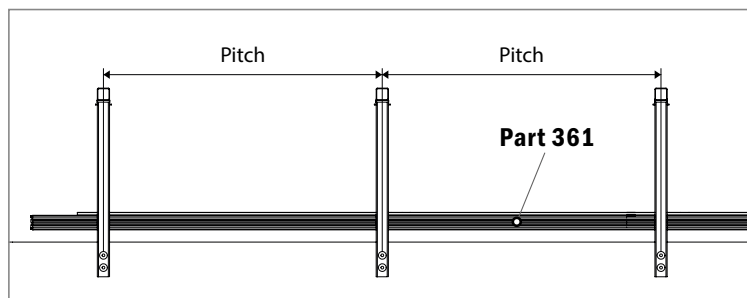


## Puntale / Shoe / Einlaufschuh



Part	Article-Nr.	Type
367	36701	fresato/machined/gefräst

Discover more options: Pag 489/490



**Part 361 Reinforced version** is a reliable roller guides solution, the new robust design allows less support elements and wider pitches.

Example of application



**Materiale / Material / Materialien:**

Rulli: Resina acetica / Rollers: Acetal Resin / Röllchen: Azetal

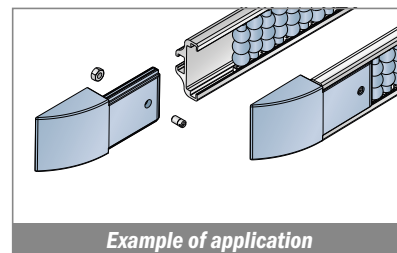
Grano: Acciaio inox / Grub Screws: Stainless steel / Gewindestift: Edelstahl

Dadi: ottone nichelato / Nuts: nickel plated brass / Mutter: Messing vernickelt

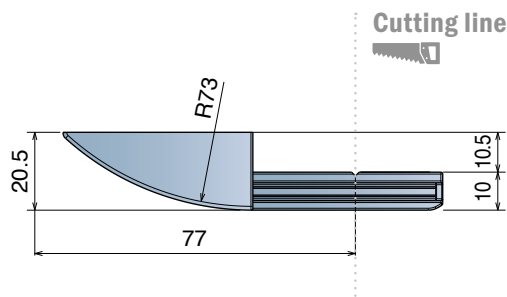
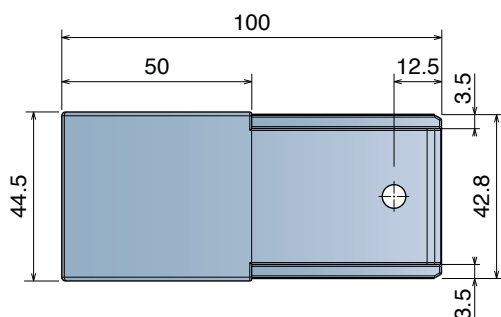
**364** Puntale  
Shoe / EinlaufschuhDelivery: **Easy** **Standard** Part 364 it is designed to allow the possibility to shorten it, if necessary.

Part Article-Nr. Grub screw

364 36411 M6

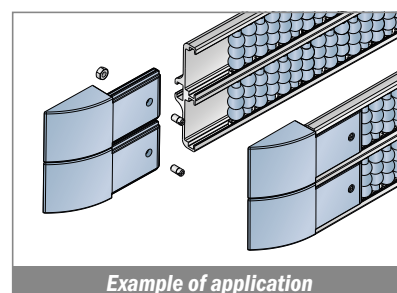


Example of application

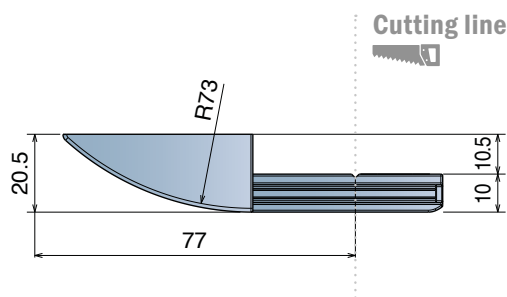
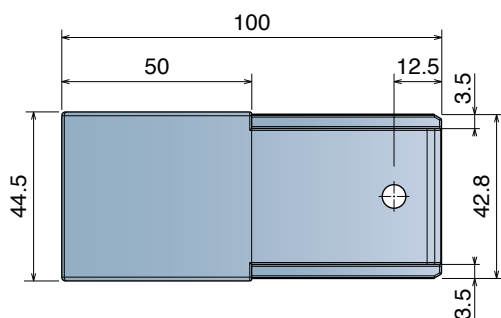
**365** Puntale  
Shoe / EinlaufschuhDelivery: **Easy** **Standard** Part 365 it is designed to allow the possibility to shorten it, if necessary.

Part Article-Nr. Grub screw

365 36511 M6



Example of application



**Materiale / Material / Materialien:**

Rulli: Resina acetica / Rollers: Acetal Resin / Röllchen: Azetal

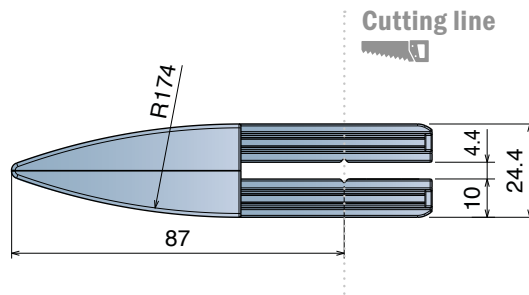
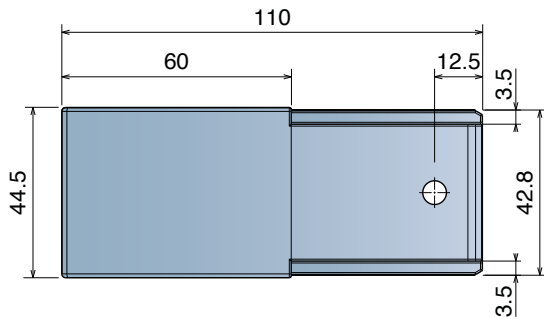
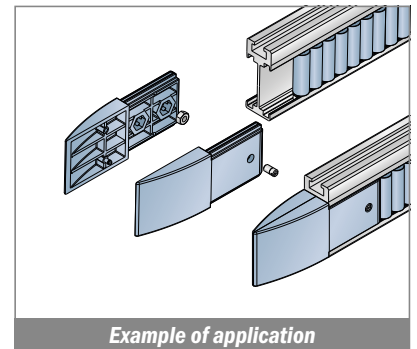
Grano: Acciaio inox / Grub Screws: Stainless steel / Gewindestift: Edelstahl

Dadi: ottone nichelato / Nuts: nickel plated brass / Mutter: Messing vernickelt

## 366 Puntale Shoe / Einlaufschuh

Delivery: **Easy** **Standard** Part 366 it is designed to allow the possibility to shorten it, if necessary.

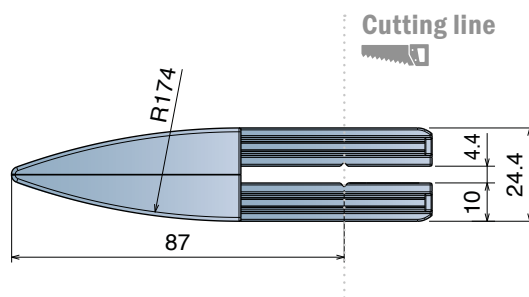
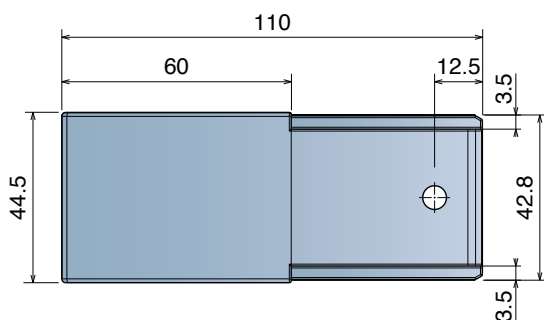
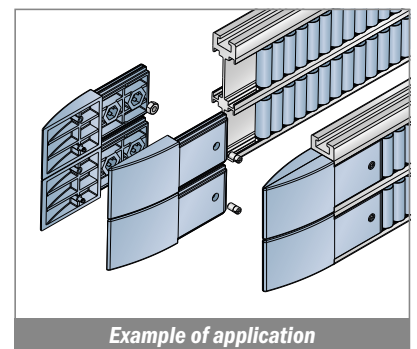
Part	Article-Nr.	Grub screw
366	36611	M6



## 367 Puntale Shoe / Einlaufschuh

Delivery: **Easy** **Standard** Part 367 it is designed to allow the possibility to shorten it, if necessary.

Part	Article-Nr.	Grub screw
367	36711	M6



**Materiale / Material / Materialien:** Puntale: PE HD/Shoe: PE HD/Corpus: PE HD  
 Perni: acciaio inox/Pins: SS/Bolzen: Edelstahl  
 Rulli: resina acetica o gomma SEBS/Rollers: Acetal Resin or SEBS rubber  
 Röllchen: Azetal oder SEBS gummi

# 366-367

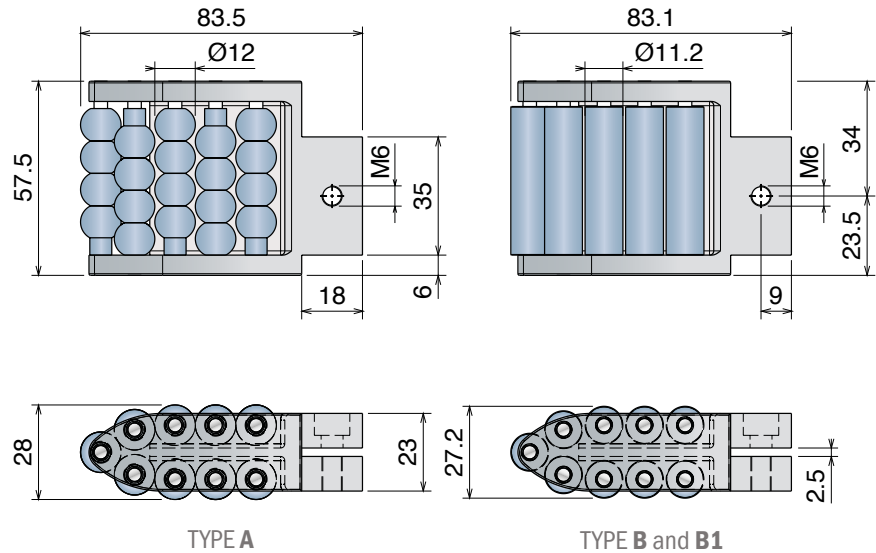
Componenti / Conveyor components / Komponenten

## 366 Puntale centrale a rulli Central roller shoe / Einlaufschuh

**PATENTED**



Part	Article-Nr.	Type
366	36621	A - Acetal resin roller
366	36622	B - Acetal resin roller
366	36623	B1 - Soft roller SEBS

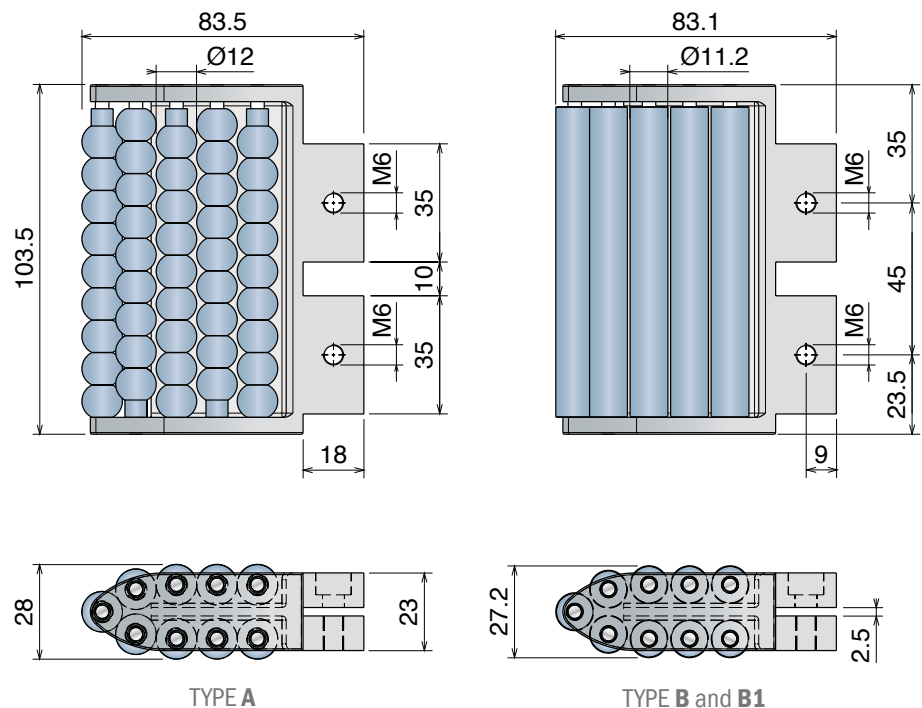


## 367 Puntale centrale a rulli Central roller shoe / Einlaufschuh

**PATENTED**



Part	Article-Nr.	Type
367	36721	A - Acetal resin roller
367	36722	B - Acetal resin roller
367	36723	B1 - Soft roller SEBS



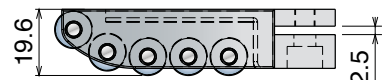
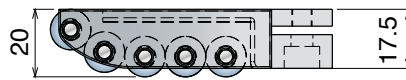
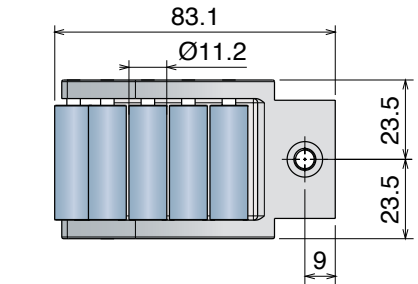
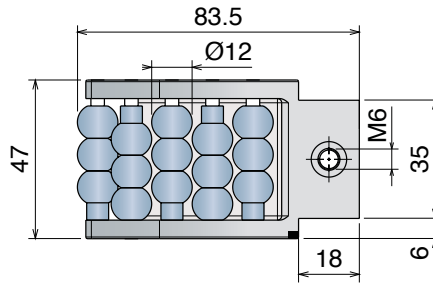
## 364 Puntale laterale a rulli Side roller shoe / Einlaufschuh

**PATENTED**



**TYPE B1**  
Soft roller  
SEBS rubber

Part	Article-Nr.	Type
364	36421	A - Acetal resin roller
364	36422	B - Acetal resin roller
364	36423	B1 - Soft roller SEBS



TYPE A

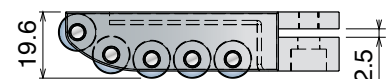
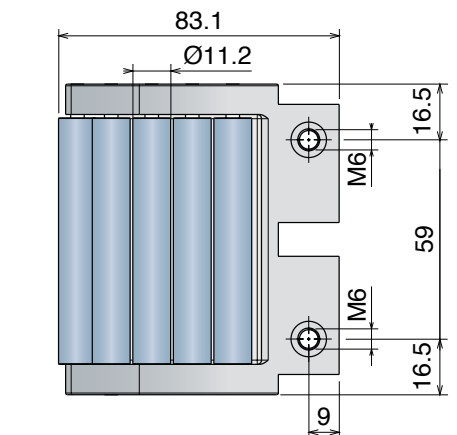
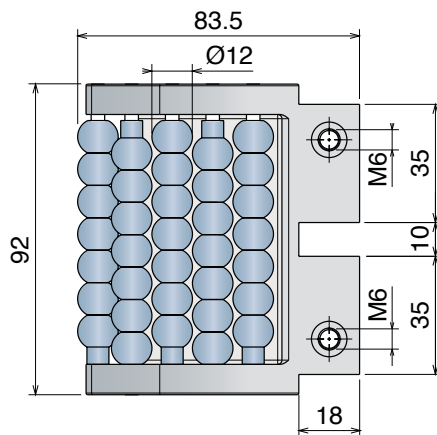
TYPE B and B1

## 365 Puntale laterale a rulli Side roller shoe / Einlaufschuh

**PATENTED**



Part	Article-Nr.	Type
365	36521	A - Acetal resin roller
365	36522	B - Acetal resin roller
365	36523	B1 - Soft roller SEBS



TYPE A

TYPE B and B1

**Materiale / Material / Materialien:**  
 Profilo: PE/Profile: PE/Profil: PE  
 Guide: alluminio anodizzato/Guide: anodized aluminium  
 Führung: eloxiertem Aluminium

# 395-362-333-358/359/360/361

Componenti / Conveyor components / Komponenten

NEW

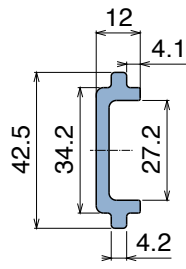
## 395

Guida laterale in PE  
 PE side guides / Seitenführung in PE

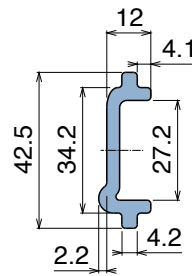
Delivery: **Easy** **Standard** Used with Aluminum guides Part 358/359/360/361 (See below)



Aluminum guides must be order separately.



TYPE A



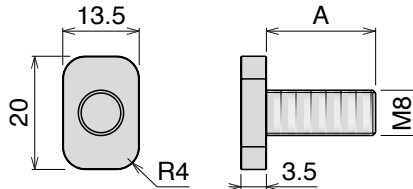
TYPE B

Article-Nr.	Material	Availability	Supply	Type
39510BC	BluLub	Stock item	3 m bars	A
39510C	Ti-White	Stock item	3 m bars	A
39520BC	BluLub	Stock item	3 m bars	B
39520C	Ti-White	Stock item	3 m bars	B

## 362

Vite a "T"  
 T-bolt / T-Schraube

Delivery: **Easy** **Standard** Used with Part 154/155/159/164/165/358/359/360/361/1055/1088/1089

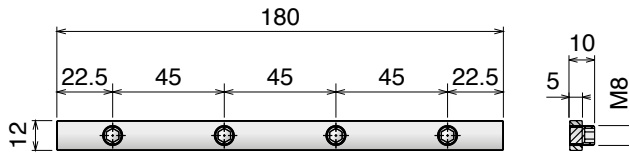


Part	Article-Nr.	A
362	36201	17
362	36202	22
362	36203	27

## 333

Elemento di giunzione  
 Connecting elements / Verbindungselement

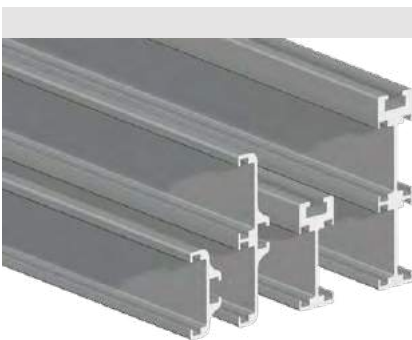
Part	Article-Nr.
333	33301



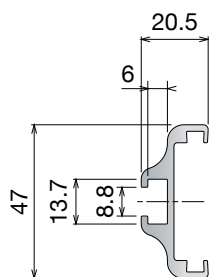
NEW

## 358/359/360/361

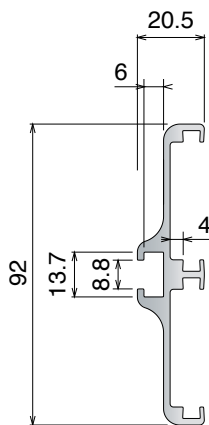
Guide in alluminio  
 Aluminum guides / Aluminiumführung



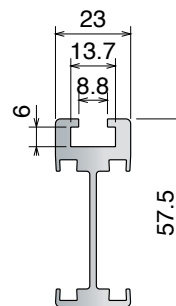
Part	Article-Nr.	Version	Min. radius	Supply	Profile cover	Box
358	35800	Single-lateral	250	3 m	301405	60 pcs
359	35900	Double-lateral	500	3 m	301406	60 pcs
360	36000	Single-central	500	3 m	301407	60 pcs
361	36100	Double-central	750	3 m	301408	60 pcs



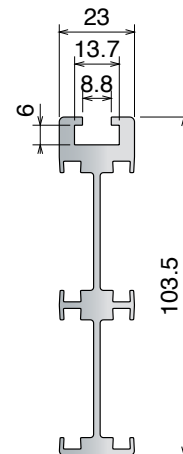
35800



35900



36000



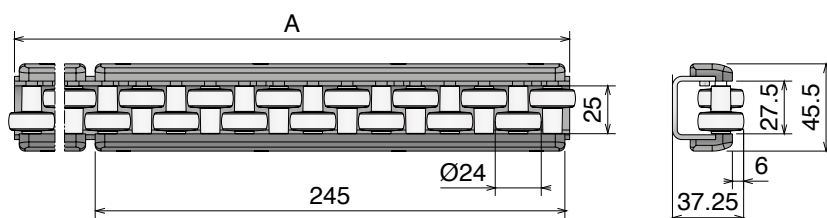
36100

## 353 Guide a rulli di accumulo Accumulation roller guides / Stauröllchenführung

Delivery: **Easy** Standard



Part	Article-Nr.	A	Pin	Pin Ø
353	35301	1 m	PA	6 mm
353	35302	2 m	PA	6 mm
353	35303	3 m	PA	6 mm

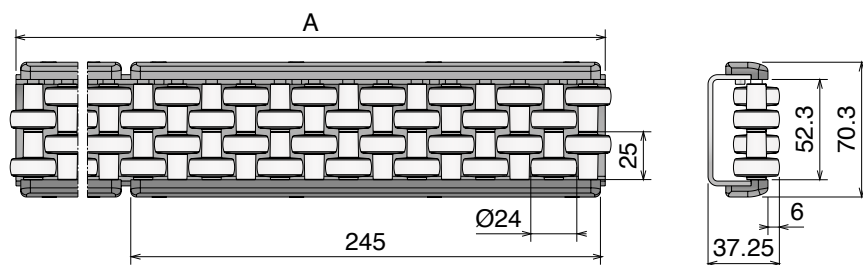


## 354 Guide a rulli di accumulo Accumulation roller guides / Stauröllchenführung

Delivery: **Easy** Standard



Part	Article-Nr.	A	Pin	Pin Ø
354	35401	1 m	PA	6 mm
354	35402	2 m	PA	6 mm
354	35403	3 m	PA	6 mm

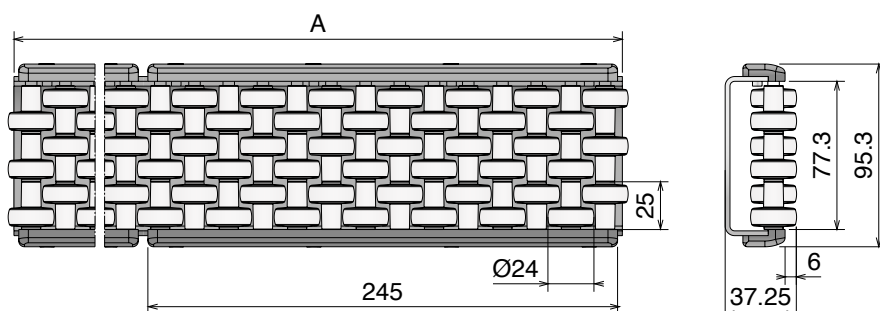


## 355 Guide a rulli di accumulo Accumulation roller guides / Stauröllchenführung

Delivery: **Easy** Standard



Part	Article-Nr.	A	Pin	Pin Ø
355	35501	1 m	SS	6 mm
355	35502	2 m	SS	6 mm
355	35503	3 m	SS	6 mm



**Material:** Resina acetilica / Acetal Resin / Azetal or **BluLub®**.  
 Polyethylene UHMW-PE with reduced coefficient of friction and higher wear resistance.  
 BluLub complies with the code of Federal Regulations of FDA. Linear expansion coefficient:  
 $1.1 \times 10^{-4} \text{ } ^\circ\text{F}^{-1}$  ( $2 \times 10^{-4} \text{ } ^\circ\text{C}^{-1}$ ) Operating temperature: -40 to 176°F (-40 to +80°C)

## 363 Guida a rulli flessibile Flexible roller guide / Flexible Röllchenführung

### RANGE EXTENSION

Delivery: **Easy** **Standard**

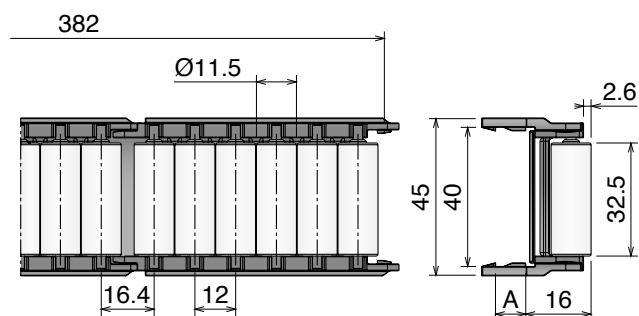


Part	Article-Nr.	Type	A	Colour
363	36301	A	8	White
363	36302	B	8	White
363	36303	A	10	White
363	36304	B	10	White
363	36305	A	8	BluLub
363	36306	A	10	BluLub

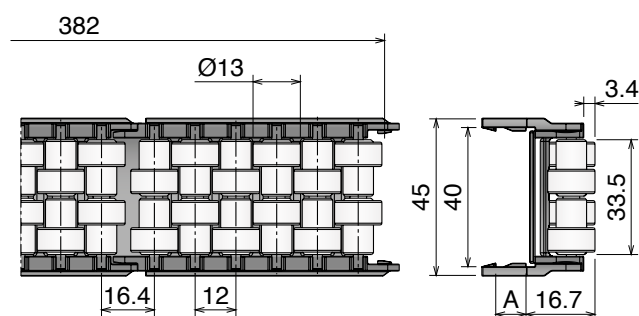


Try with...  
**BluLub®**  
 Rollers!

- Lower wear
- Noise reduction
- Improved product stability
- Lower coefficient of friction
- Less energy consumption

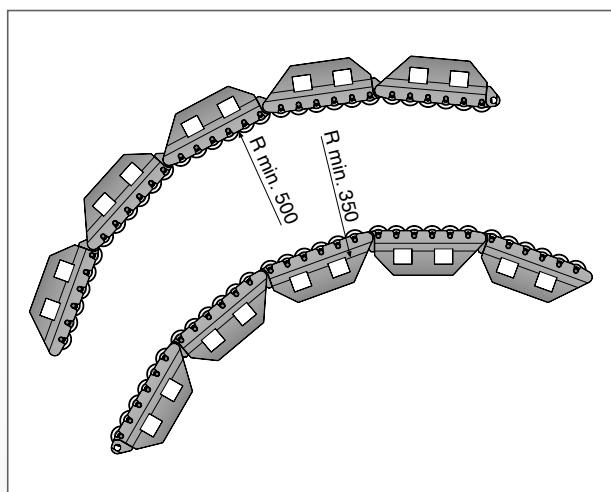


TYPE A

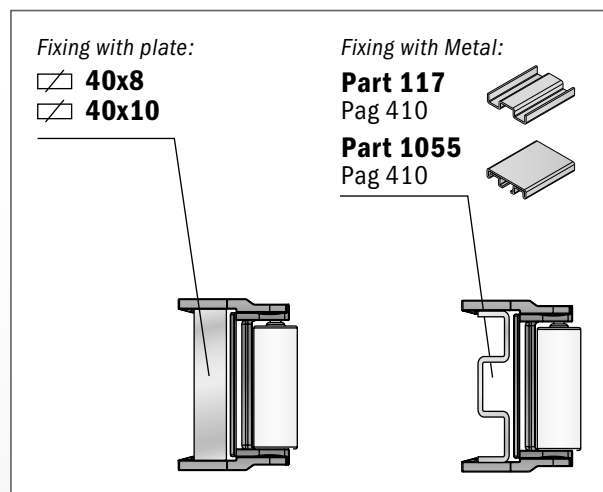


TYPE B

### Curvature radius



### Fixing with plate and metal profile



**Material:** Resina acetica / Acetal Resin / Azetal or **BluLub**.  
 Polyethylene UHMW-PE with reduced coefficient of friction and higher wear resistance.  
 BluLub complies with the code of Federal Regulations of FDA. Linear expansion coefficient:  
 $1.1 \times 10^{-4} \text{ } ^\circ\text{F}^{-1}$  ( $2 \times 10^{-4} \text{ } ^\circ\text{C}^{-1}$ ) Operating temperature: -40 to 176 °F (-40 to +80 °C)

## 396 Guida a rulli flessibile Flexible roller guide / Flexible Röllchenführung

**RANGE EXTENSION**

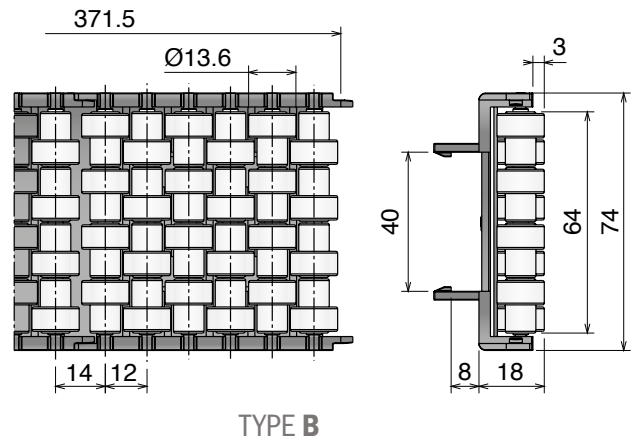
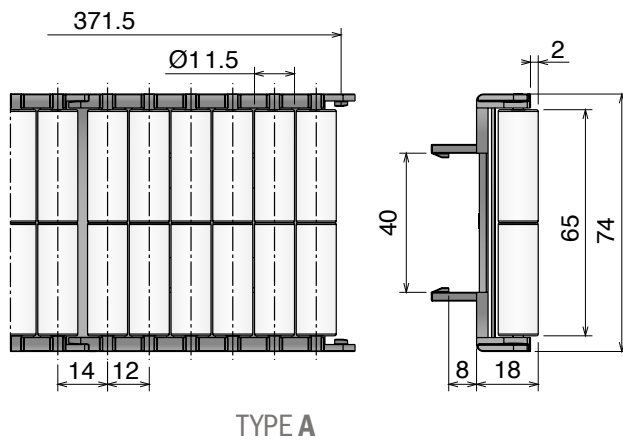
Delivery: **Easy** **Standard**

Part	Article-Nr.	Type	Colour
396	39601	A	White
396	39602	B	White
396	39603	A	BluLub

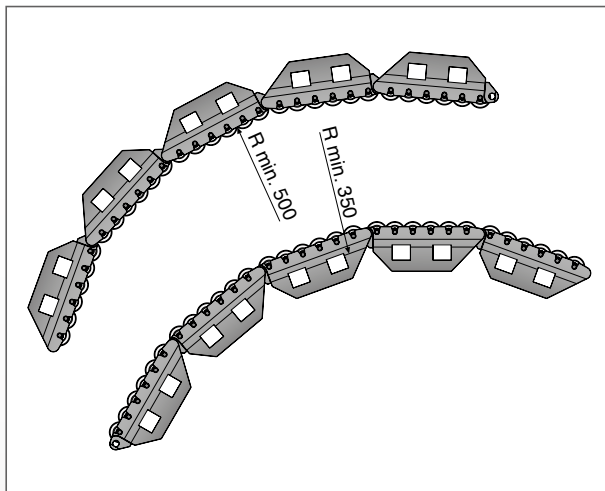


Try with...  
**BluLub®  
 Rollers!**

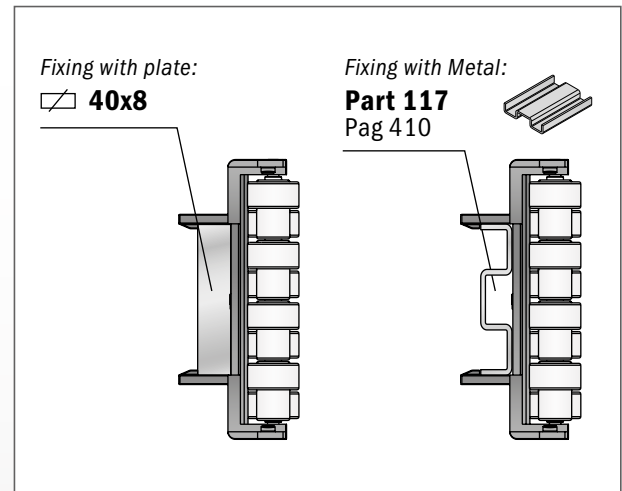
- Lower wear
- Noise reduction
- Improved product stability
- Lower coefficient of friction
- Less energy consumption



### Curvature radius



### Fixing with plate and metal profile





**Material:** Resina acetalica / Acetal Resin / Azetal or **BluLub®**.  
 Polyethylene UHMW-PE with reduced coefficient of friction and higher wear resistance.  
 BluLub complies with the code of Federal Regulations of FDA. Linear expansion coefficient:  
 $1.1 \times 10^{-4} \text{ } ^\circ\text{F}^{-1}$  ( $2 \times 10^{-4} \text{ } ^\circ\text{C}^{-1}$ ) Operating temperature: -40 to 176 °F (-40 to +80 °C)

# 363 Guida a rulli flessibile (centrale)

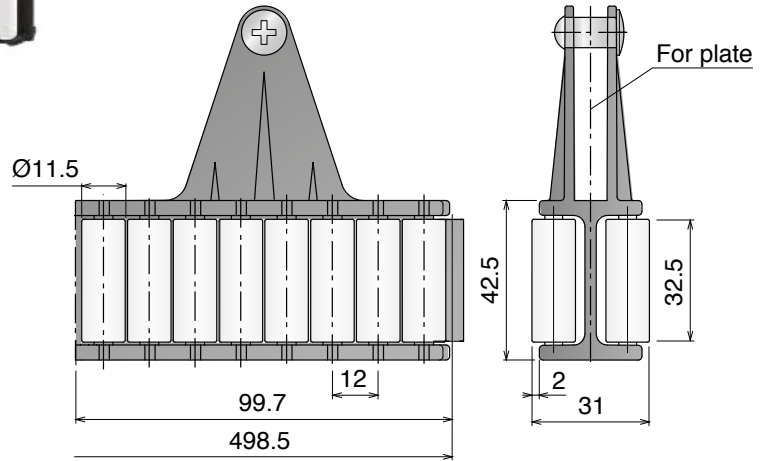
## Flexible roller guide (Centre) / Flexible Röllchenführung (Zentral)

Delivery: **Easy** **Standard** Can also be used with Part 117 Pag 410 - Part 1055 Pag 410

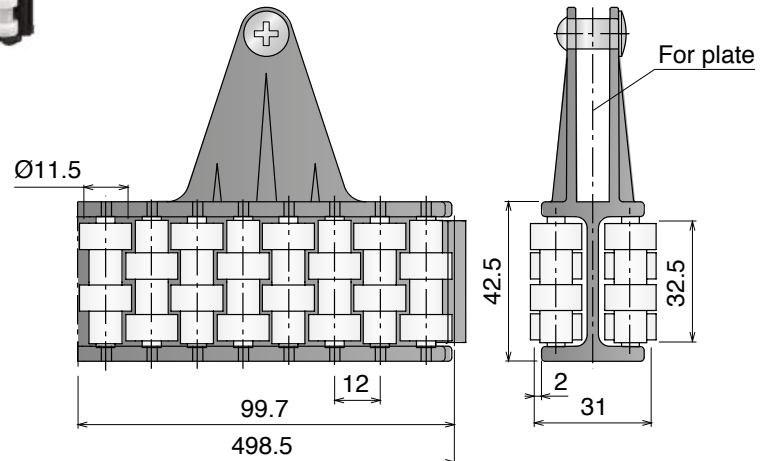
Part	Article-Nr.	Type	For plate	Colour
363	36313	A	40x8	White
363	36311	A	40x10	White
363	36314	B	40x8	White
363	36312	B	40x10	White



TYPE A

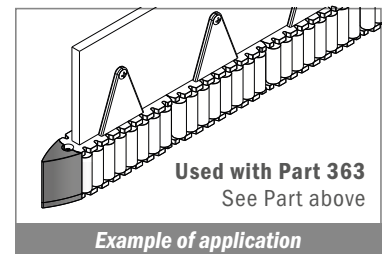
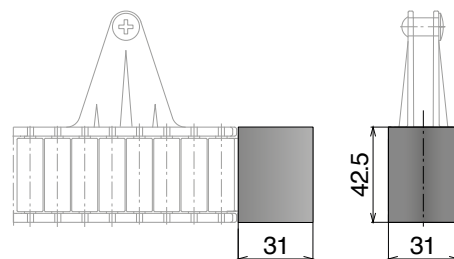


TYPE B



### Puntale / Shoe / Einlaufschuh

Part	Article-Nr.	For Type
363	36399	A & B



## 199/299 Blocco di montaggio catena Chain mounting block / Kettenmontageblock

Delivery: **Easy** Standard



Part	Article-Nr.
------	-------------

<b>199</b>	<b>19980</b>
------------	--------------

**For steel chain:**

812/815 (GT)

881 M (GT)

**and plastic chain:**

820 (GT)

831

Part	Article-Nr.
------	-------------

<b>199</b>	<b>19981</b>
------------	--------------

**For steel chain:**

8157 (GT)

8857 M (GT/LBP)

**and plastic chain:**

8257 (GT/LBP)

8857 (GT/LBP)

882 Bevel

Part	Article-Nr.
------	-------------

<b>199</b>	<b>19982</b>
------------	--------------

**For steel chain:**

812/815 (GT)

881 M (GT)

**and plastic chain:**

828 (GT/LBP)

880 M

880 Bevel

879 M

879 Bevel

Part	Article-Nr.
------	-------------

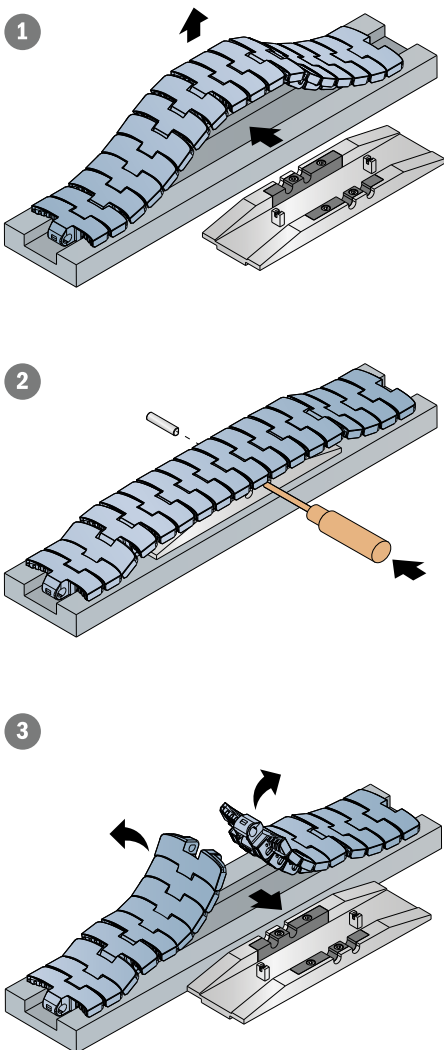
<b>299</b>	<b>29978</b>
------------	--------------

**For sideflexing belt/ chain:**

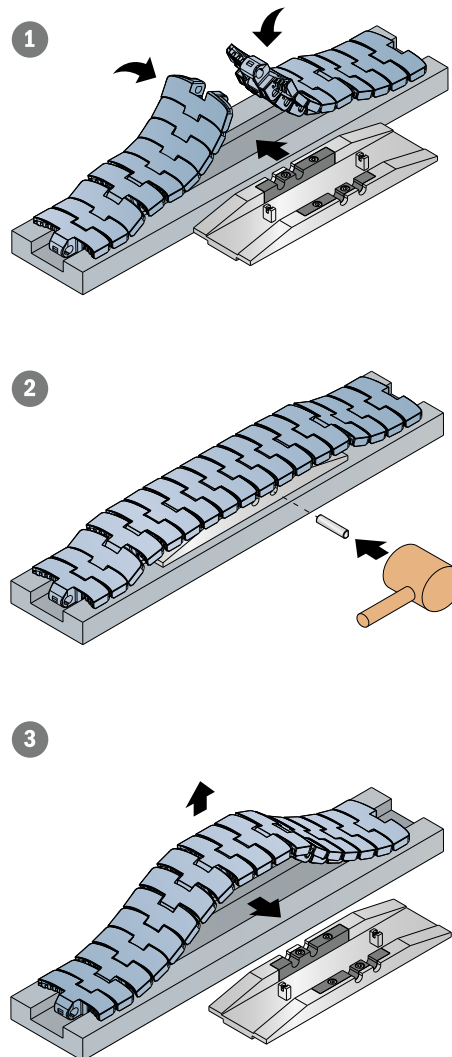
260 M (FT/FG)

261 M (FT)

### Disassembling mode:



### Assembling mode:



**Materiale / Material / Materialien:**

Modulo: resina acetica/Module: acetal resin/Module: Azetal

Perni, viti e dadi: Acciaio inox/Pins, screws and nuts: Stainless steel/Bolzen, Schraube und Mutter: Edelstahl

Rulli: resina acetica o acciaio inox/Rollers: acetal resin or stainless steel/Röllchen: Azetal oder Edelstahl

## 368 Moduli di trasferimento L=85 mm Transfer modules L=85 mm / Überschubmodul L=85 mm

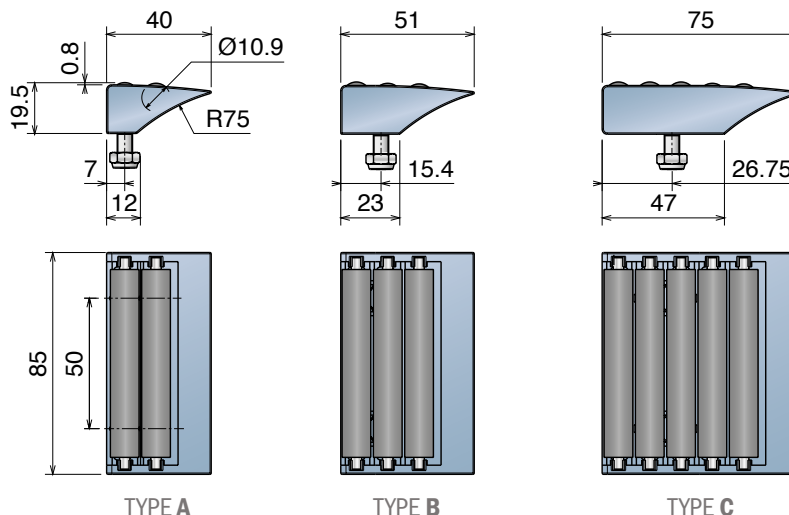
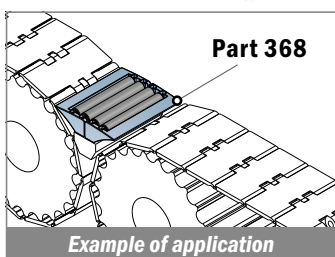
**NOW ALSO WITH PFX ROLLERS**

Delivery: **Easy** **Standard**

Part	Article-Nr.	Type	Roller material
368	36801	A	Acetal resin
368	36802	B	Acetal resin
368	36803	C	Acetal resin
368	36801PFX	A	<b>PFX</b>
368	36802PFX	B	<b>PFX</b>
368	36803PFX	C	<b>PFX</b>
368	36801SS	A	Stainless steel
368	36802SS	B	Stainless steel
368	36803SS	C	Stainless steel



**Smart roller**  
with mini bearings  
in stainless steel



TYPE A

TYPE B

TYPE C

## 369 Moduli di trasferimento L=115 mm Transfer modules L=115 mm / Überschubmodul L=115 mm

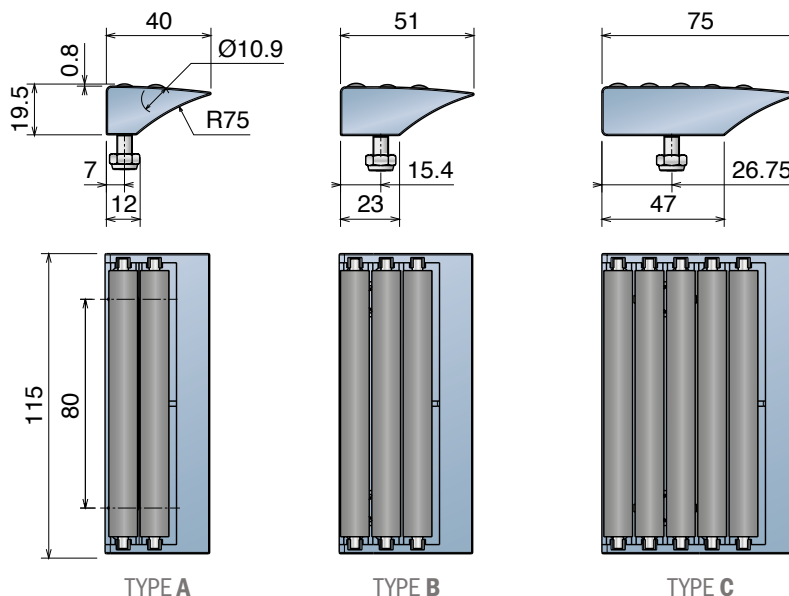
**NOW ALSO WITH PFX ROLLERS**

Delivery: **Easy** **Standard**

Part	Article-Nr.	Type	Roller material
369	36901	A	Acetal resin
369	36902	B	Acetal resin
369	36903	C	Acetal resin
369	36901PFX	A	<b>PFX</b>
369	36902PFX	B	<b>PFX</b>
369	36903PFX	C	<b>PFX</b>
369	36901SS	A	Stainless steel
369	36902SS	B	Stainless steel
369	36903SS	C	Stainless steel



**Smart roller**  
with mini bearings  
in stainless steel



TYPE A

TYPE B

TYPE C

# 370-371

Componenti / Conveyor components / Komponenten

Materiali / Material / Materialien:

Modulo: resina acetica/Module: acetal resin/Module: Azetal

Perni, viti e dadi: Acciaio inox/Pins, screws and nuts: Stainless steel/Bolzen, Schraube und Mutter: Edelstahl

Rulli: resina acetica o acciaio inox/Rollers: acetal resin or stainless steel/Rollen: Azetal oder Edelstahl

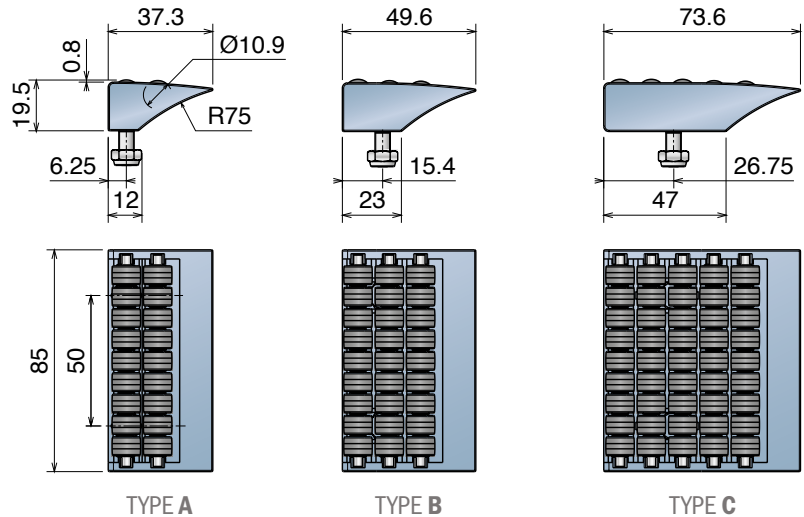
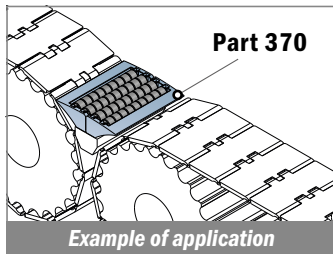
## 370 Moduli di trasferimento L=85 mm Transfer modules L=85 mm / Überschubmodul L=85 mm

NOW ALSO WITH PFX ROLLERS

Delivery: **Easy** **Standard**



Part	Article-Nr.	Type	Roller material
370	37001	A	Acetal resin
370	37002	B	Acetal resin
370	37003	C	Acetal resin
370	37001PFX	A	PFX
370	37002PFX	B	PFX
370	37003PFX	C	PFX



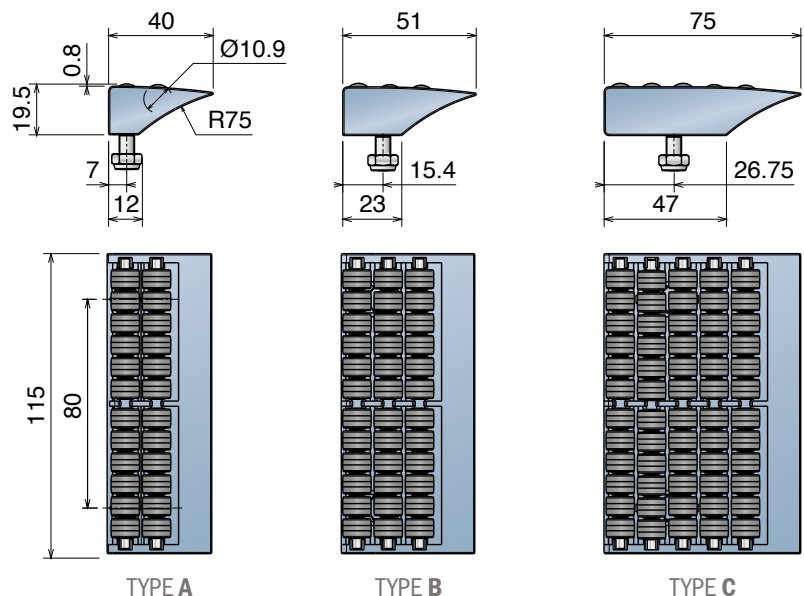
## 371 Moduli di trasferimento L=115 mm Transfer modules L=115 mm / Überschubmodul L=115 mm

NOW ALSO WITH PFX ROLLERS

Delivery: **Easy** **Standard**



Part	Article-Nr.	Type	Roller material
371	37101	A	Acetal resin
371	37102	B	Acetal resin
371	37103	C	Acetal resin
371	37101PFX	A	PFX
371	37102PFX	B	PFX
371	37103PFX	C	PFX



**Materiale / Material / Materialien:**

Modulo: **BluLub** / Module: **BluLub** / Module: **BluLub**

Perno: Acciaio inox / Pin: Stainless steel / Bolzen: Edelstahl

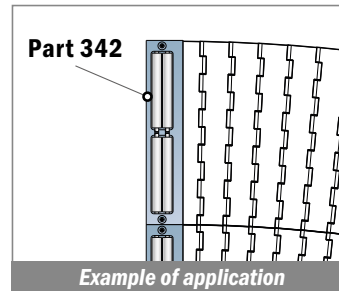
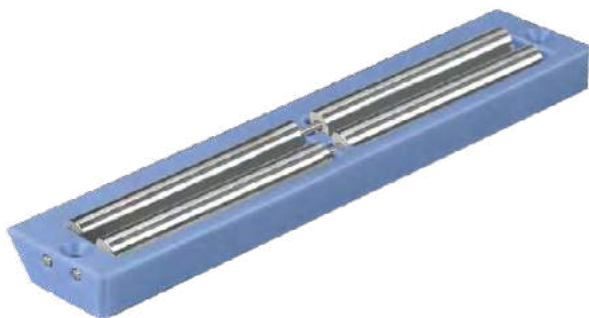
Rulli: Acciaio inox / Rollers: Stainless steel / Rollen: Edelstahl

# 342

Moduli di trasferimento L=200 mm  
Transfer modules L=200 mm / Überschubmodul L=200 mm

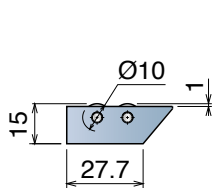
**RANGE EXTENSION**

Part	Article-Nr.	Type	Material
370	34201	A	BluLub
370	34201N	B	BluLub
370	34201NL	C	BluLub
370	34201S	A	PE Black
370	34201NS	B	PE Black
370	34201NLS	C	PE Black

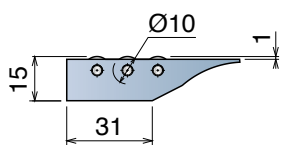
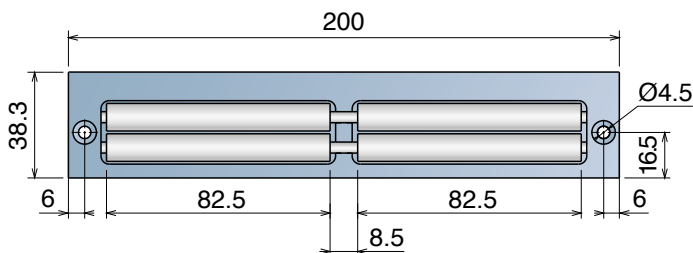


**Smart roller**

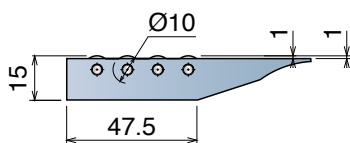
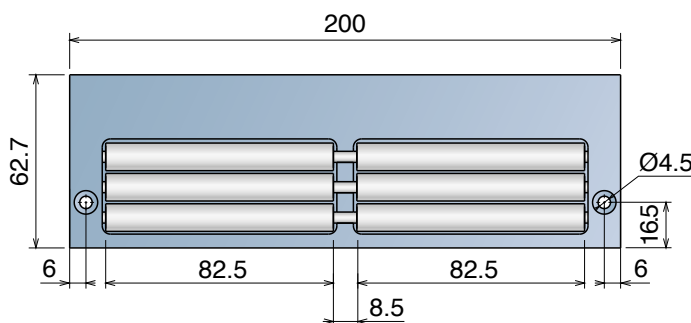
with mini bearings  
in stainless steel



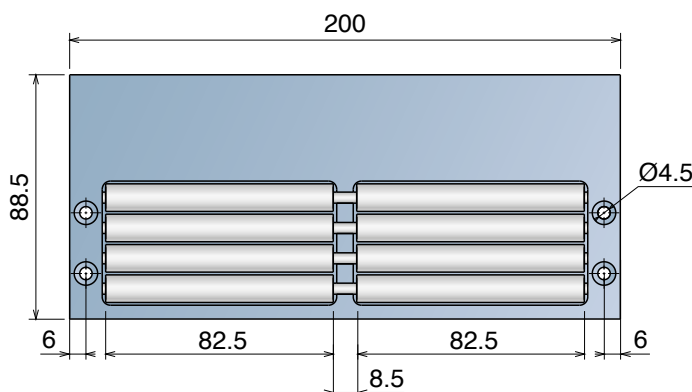
TYPE A



TYPE B



TYPE C



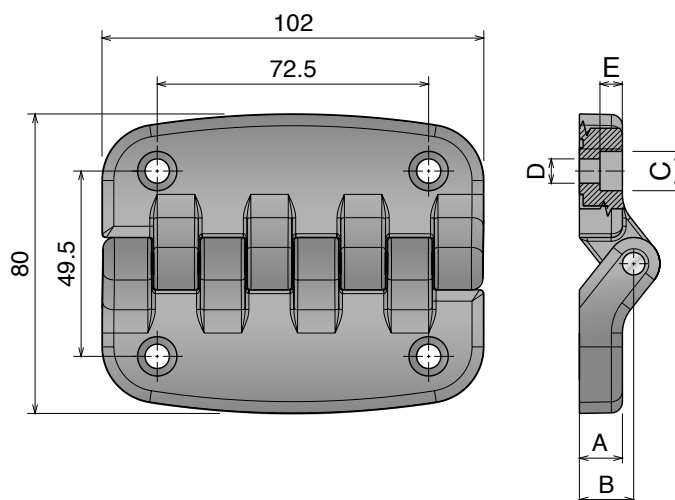
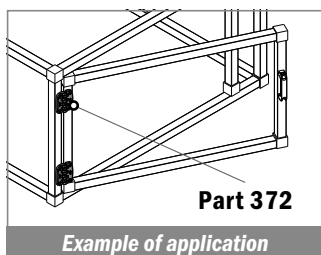
**Advantages:**

- Machined transfer
- High precision
- Solid structure
- Easy to install

## 372 Cerniera Hinge / Scharnier

NOW ALSO IN HYGIENIC BLUE

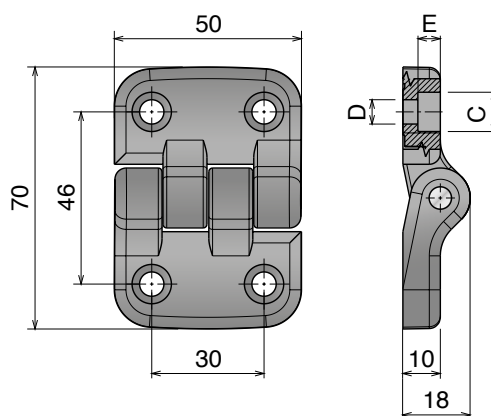
Delivery: **Easy** **Standard**



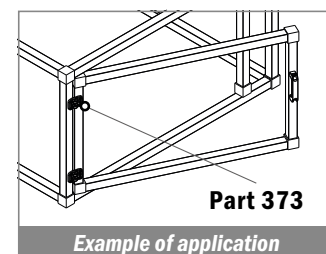
Part	Article-Nr.	A	B	C	D	E	Colour
372	37201	11	14	10,5	6,5	6	Black
372	37202	11	14	13,5	8,5	8	Black
372	37203	18	21	13,5	8,5	8	Black
372	37211	11	14	10,5	6,5	6	Hygienic blue
372	37212	11	14	13,5	8,5	8	Hygienic blue
372	37213	18	21	13,5	8,5	8	Hygienic blue

## 373 Cerniera Hinge / Scharnier

Delivery: **Easy** **Standard**

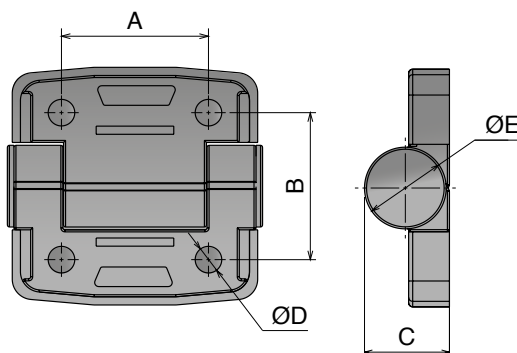


Part	Article-Nr.	C	D	E
373	37301	10,5	6,5	6
373	37302	13,5	8,5	4

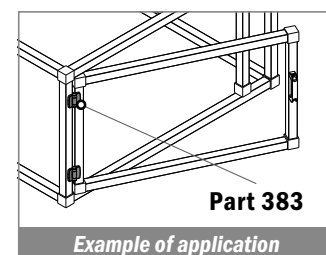


## 383 Cerniera Hinge / Scharnier

Delivery: **Easy** **Standard**



Part	Article-Nr.	A	B	C	ØD	ØE	F	G
383	38301	24	25	14,5	4,5	14	44,6	41
383	38302	36	36	20,8	6,5	20	62,5	58

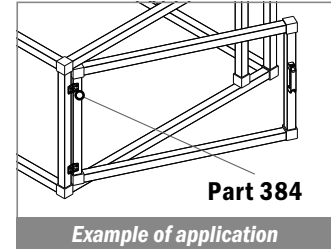
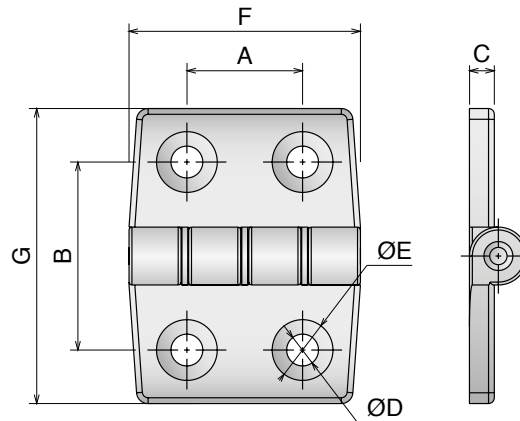


## 384 Cerniera Acciaio Inox SS Hinge / Edelstahl Scharnier

Stainless Steel | AISI 304

Delivery: **Easy** Standard

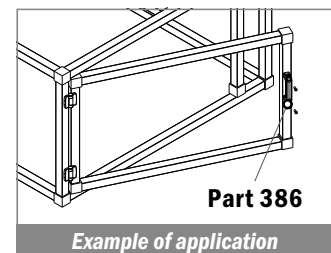
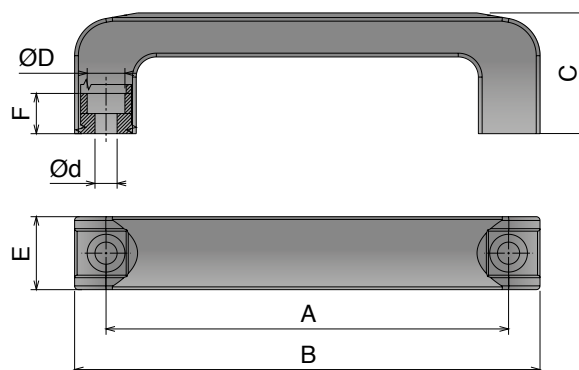
Part	Article-Nr.	A	B	C	ØD	ØE	F	G
384	38401	20	32,5	4,3	5,5	10,5	40	51
384	38402	30	41	5	6,5	12,5	60	71



## 386 Maniglia Handle / Handgriff

Delivery: **Easy** Standard

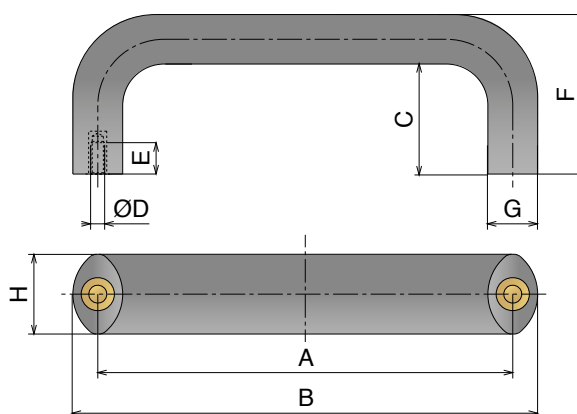
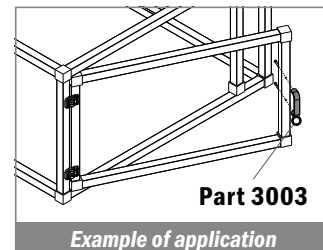
Part	Article-Nr.	A	B	C	Ød	ØD	E	F
386	38603	120	140	40	7	11	24	15
386	38601	120	140	40	8,5	13	24,5	16
386	38602	160	185	48	8,5	15	29	16



## 3003 Maniglia piena con boccola Solid handle with threaded insert / Handgriff mit Innengewinde

Delivery: **Easy** **Standard**

Part	Article-Nr.	A	B	C	ØD	E	F	G	H
3003	300301	120	134	34	M6	9	50	16	25
3003	300302	120	134	34	M8	14	50	16	25

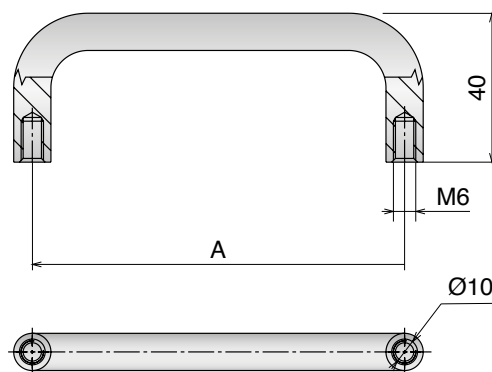
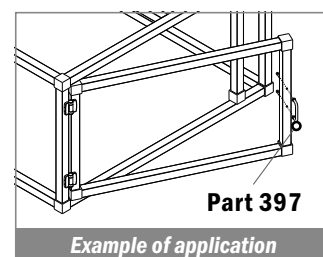


## 397 Maniglia acciaio inox Stainless Steel handle / Handgriffe Edelstahl

Delivery: **Easy** **Standard**

**Stainless Steel | AISI 304**

Part	Article-Nr.	A
397	39701	95
397	39702	100
397	39703	110





**Materiale / Material / Materialien:**

Maniglia: Poliammide/Handle: Polyamide/Griff: Polyamid

Insero femmina: Ottone nichelato/Female insert: Nickel plated brass/Einsatz: Messing vernickelt

Insero maschio: Acciaio inox/Male insert: Stainless steel/Aussengewinde: Edelstahl

**374-375**

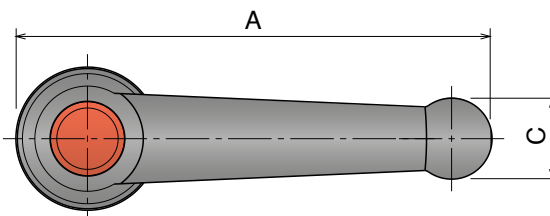
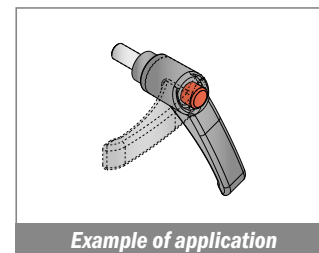
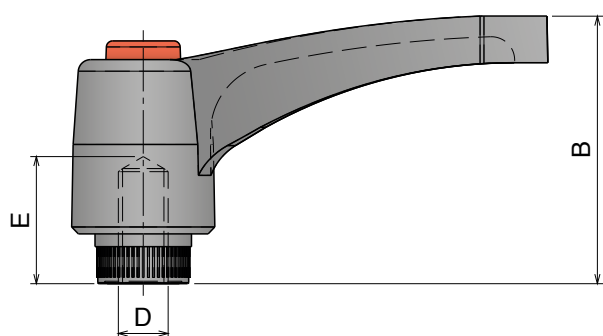
Componenti / Conveyor components / Komponenten

**374** Maniglia a ripresa  
Adjustable handle / Ratschenhebel

**NEW DESIGN**

Delivery: **Easy** **Standard**

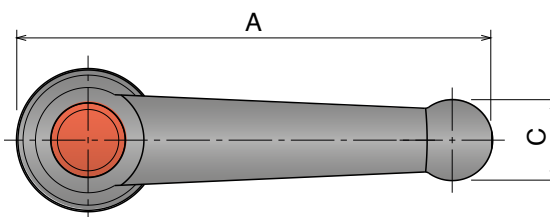
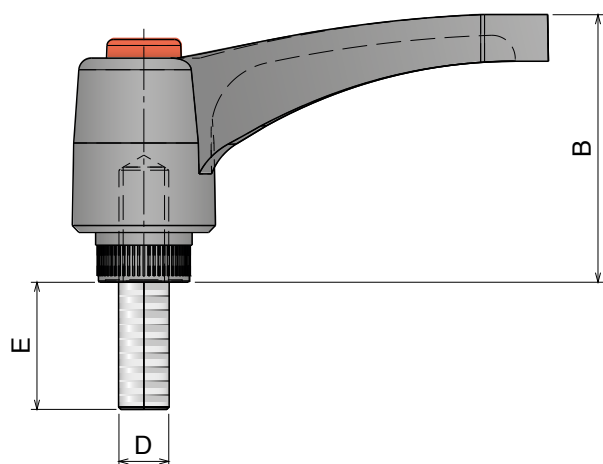
Part	Article-Nr.	A	B	C	D	E	Box
374	37403	51	33	9	M5	12	20 pcs
374	37404	51	33	9	M6	12	20 pcs
374	37405	63	41	12	M6	18	20 pcs
374	37406	63	41	12	M8	18	20 pcs
374	37407	63	41	12	M10	18	20 pcs
374	37401	76.5	43	13	M8	18	20 pcs
374	37409	76.5	43	13	M10	18	20 pcs
374	37402	93.5	54	15.5	M10	22	20 pcs
374	37408	93.5	54	15.5	M12	22	20 pcs



**375** Maniglia a ripresa  
Adjustable handle / Ratschenhebel

Delivery: **Easy** **Standard**

Part	Article-Nr.	A	B	C	D	E	Box
375	37508	51.5	33	9	M5	15	20 pcs
375	37509	51.5	33	9	M6	15	20 pcs
375	37510	63	41	12	M8	15	20 pcs
375	37511	63	41	12	M8	20	20 pcs
375	37515	63	41	12	M8	55	20 pcs
375	37501	76.5	43	13	M8	20	20 pcs
375	37512	76.5	43	13	M8	25	20 pcs
375	37502	76.5	43	13	M10	25	20 pcs
375	37513	93.5	54	15.5	M10	20	20 pcs
375	37514	93.5	54	15.5	M10	25	20 pcs



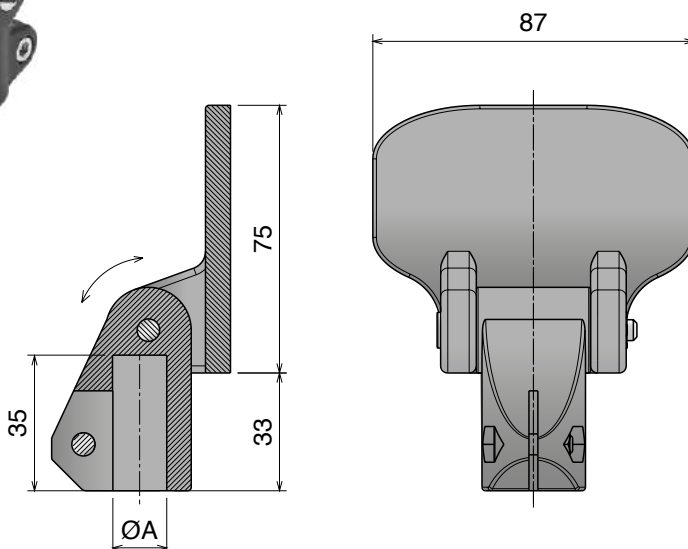
**Materiale / Material / Materialien:**

Morsetto: Poliammide/Clamp: Polyamide/Klemme: Polyamid

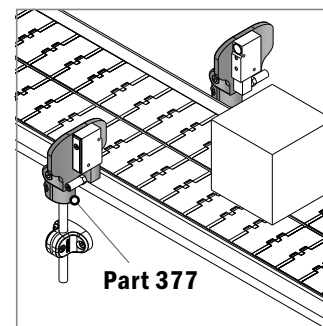
Viti e dadi: Acciaio inox/Screws and nuts: Stainless steel/Schraube und Mutter: Edelstahl

## 377 Morsetto standard per fotocellula o riflettore Clamp for photocells or reflector / Klemme für Fotozelle oder Reflektor

Delivery: **Easy** Standard

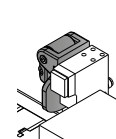


Part	Article-Nr.	ØA
377	37701	14
377	37702	16
377	37703	20

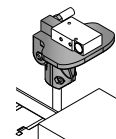


Part 377

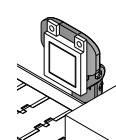
One product for several models of photocells reflectors:



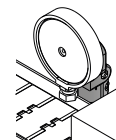
Omron E3A2



Leuze/RK18



Sigest/RF-230



Diell/RL110

and many other types:

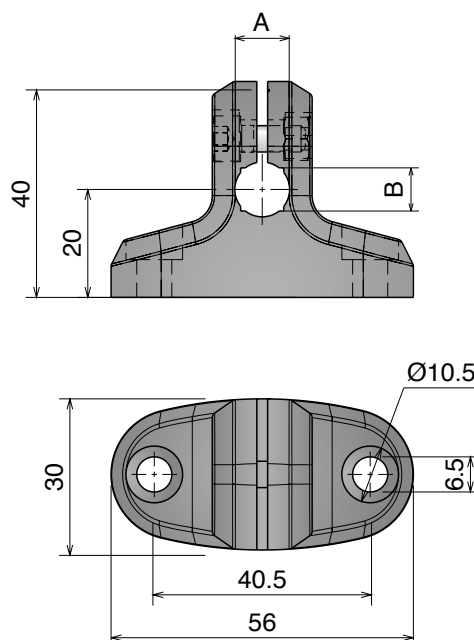
Sick/WL36 - Datalogic/RT7

Omron/E35-R - Datalogic/R2

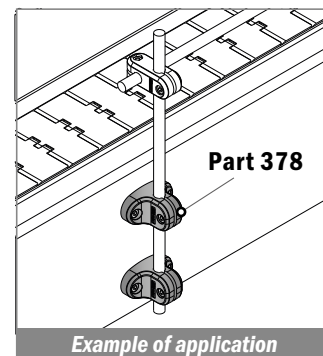
Example of application

## 378 Morsetto a "T" T-clamp / T-Klemme

Delivery: **Easy** Standard Max recommended tightening torque: 3 N mt



Part	Article-Nr.	A	B
378	37801	10	8
378	37802	12	10
378	37803	14	12



Part 378

Example of application

**Materiale / Material / Materialien:**

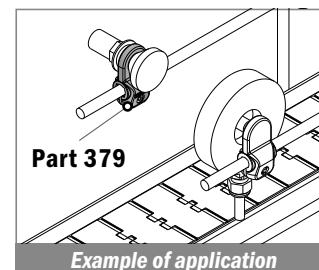
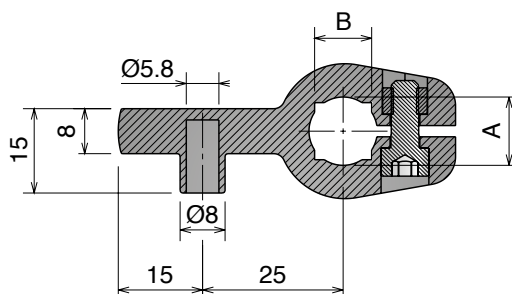
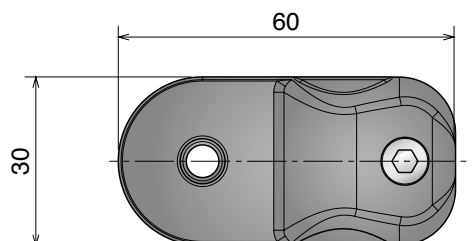
Morsetto: Poliammide/Clamp: Polyamide/Klemme: Polyamid

Viti e dadi: Acciaio inox/Screws and nuts: Stainless steel/Schraube und Mutter: Edelstahl

## 379 Morsetto per riflettore Clamp for reflector / Reflektorklemme

Delivery: **Easy** **Standard** Max recommended tightening torque: 3 N mt

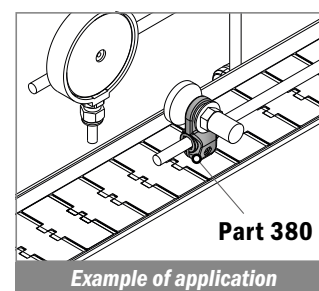
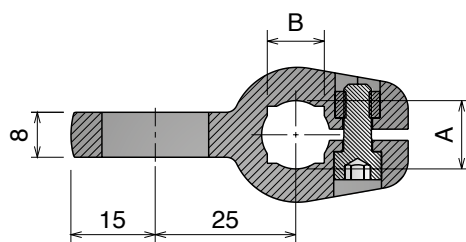
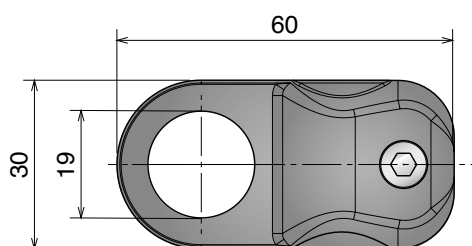
Part	Article-Nr.	A	B
379	37901	10	8
379	37902	12	10
379	37903	14	12



## 380 Morsetto per fotocellule o sensori Clamp for photocells or sensors / Klemme für Lichtschranke oder Sensoren

Delivery: **Easy** **Standard** Max recommended tightening torque: 3 N mt

Part	Article-Nr.	A	B
380	38001	10	8
380	38002	12	10
380	38003	14	12



# 381-382

Componenti / Conveyor components / Komponenten

**Materiale / Material / Materialien:**

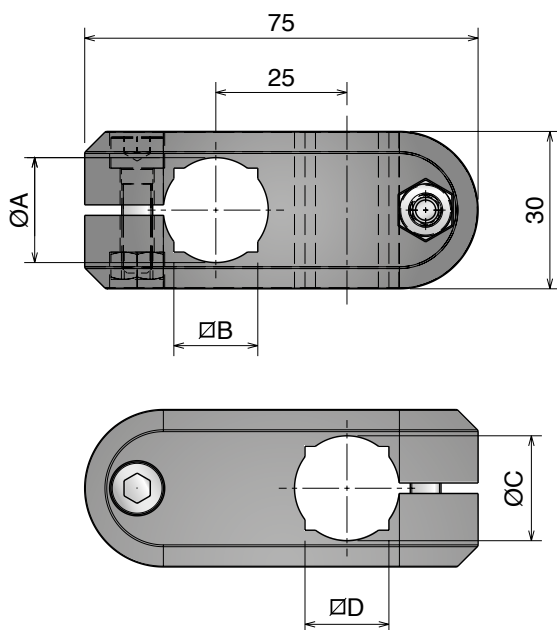
Morsetto: Poliammide/Clamp: Polyamide/Klemme: Polyamid

Viti e dadi: Acciaio inox/Screws and nuts: Stainless steel/Schraube und Mutter: Edelstahl

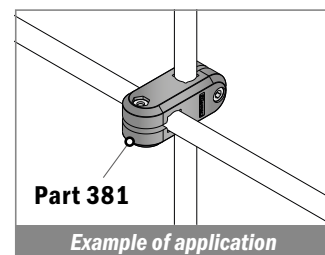
## 381 Morsetto a croce Cross clamp / Kreuzklemmee

**NOW ALSO IN HYGIENIC BLUE**

Delivery: **Easy** **Standard** Max recommended tightening torque: 3 N mt



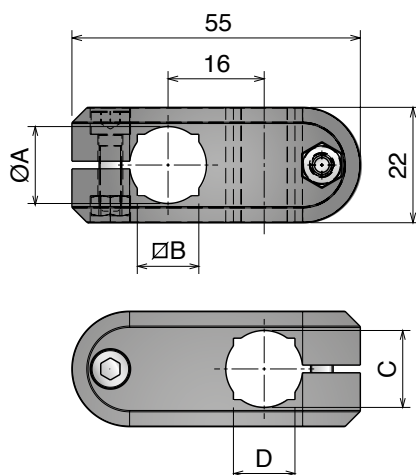
Part	Article-Nr.	ØA	ØB	ØC	ØD	Colour
381	38101	14	12	14	12	Black
381	38102	16	14	16	14	Black
381	38103	18	-	18	-	Black
381	38104	20	16	20	16	Black
381	38111	14	12	14	12	Hygienic blue
381	38112	16	14	16	14	Hygienic blue
381	38113	18	-	18	-	Hygienic blue
381	38114	20	16	20	16	Hygienic blue
381	38121	16	-	16	-	Stainless steel
381	38122	16	-	20	-	Stainless steel
381	38123	20	-	20	-	Stainless steel



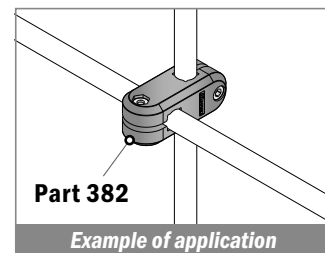
## 382 Morsetto a croce Cross clamp / Kreuzklemmee

**NOW ALSO IN HYGIENIC BLUE**

Delivery: **Easy** **Standard** Max recommended tightening torque: 3 N mt



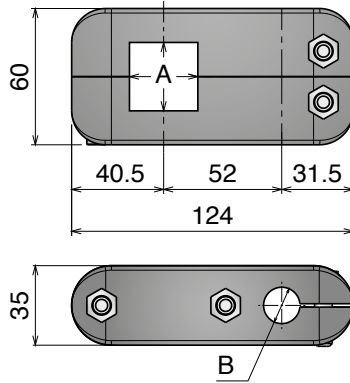
Part	Article-Nr.	ØA	ØB	ØC	ØD	Colour
382	38201	10	8	10	8	Black
382	38202	12	10	12	10	Black
382	38203	14	12	14	12	Black
382	38211	10	8	10	8	Hygienic blue
382	38212	12	10	12	10	Hygienic blue
382	38213	14	12	14	12	Hygienic blue



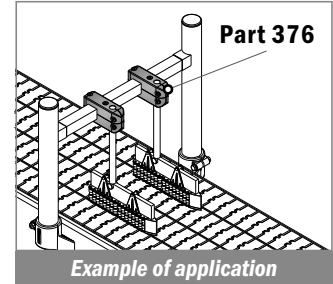
# 376 Morsetto a croce "extra" Extra Cross Block / Kreuzklemme "Extra"

Delivery: **Easy** Standard

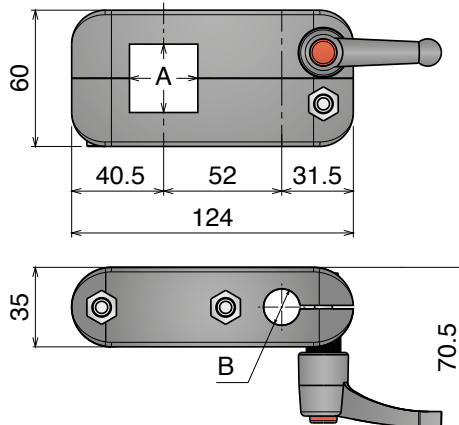
**NEW DESIGN**



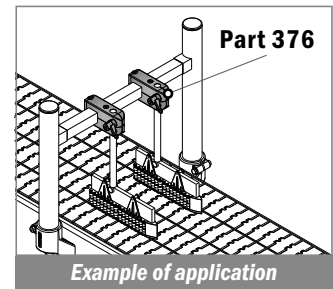
Part	Article-Nr.	A	B
376	37601	30x30	16
376	37604	30x30	20
376	37602	40x40	16
376	37603	40x40	20



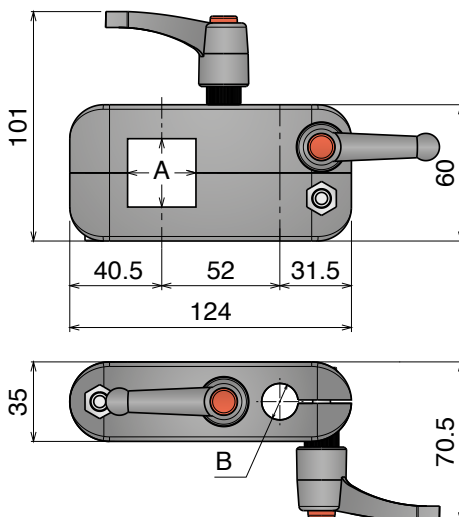
## Morsetto a croce "extra" con maniglia Extra Cross Block with handle / Kreuzklemme "Extra" m. Ratschenhebel



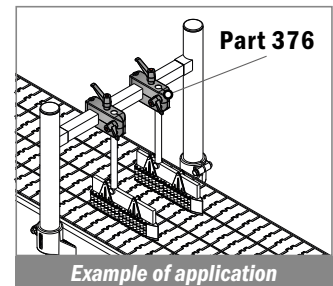
Part	Article-Nr.	A	B
376	37611	30x30	16
376	37614	30x30	20
376	37612	40x40	16
376	37613	40x40	20



## Morsetto a croce "extra" con maniglie Extra Cross Block with handles / Kreuzklemme "Extra" m. Ratschenhebel



Part	Article-Nr.	A	B
376	37621	30x30	16
376	37624	30x30	20
376	37622	40x40	16
376	37623	40x40	20



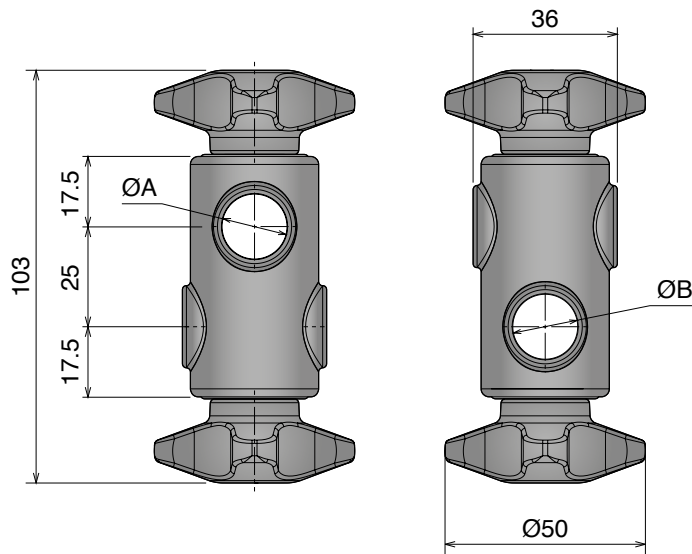
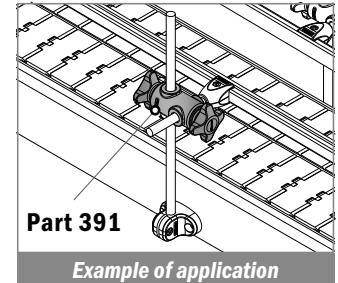
**Materiale / Material / Materialien:** Corpo: PA/Body: PA/Korpus: PA  
 Volantino: PA+ ottone nichelato/Knob: PA+ nickel plated brass/Stengriff: PA+ messing vernickelt  
 Tirante e rondella: Acciaio inox/Eyebolt and washer: Stainless steel/ Augenschraube und Unterlegs: Edelstahl

## 391 Morsetto a croce Cross clamp / Kreuzklemme

Delivery: **Easy** Standard



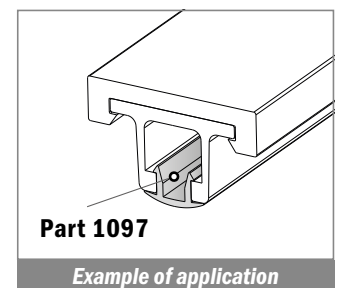
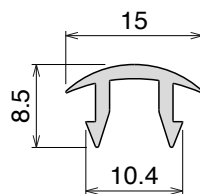
Part	Article-Nr.	ØA	ØB
391	39101	12	12
391	39103	14	14
391	39102	16	16
391	39104	12	16



## NEW 1097 Profilo di chiusura Closing profile / Abdeckprofil

Delivery: **Easy** Standard

Article-Nr.	Material	Availability	Supply
109701-30	Grey PVC	Stock item	30 m coils

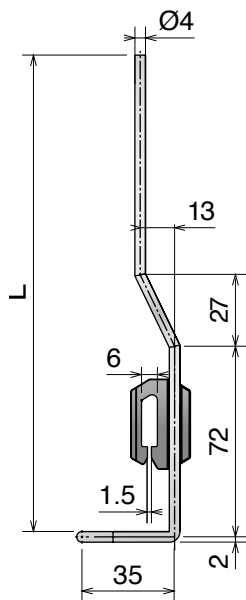
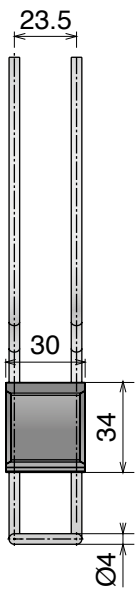


Used with Part:  
 154 - 155 - 159 - 164 - 165 - 188  
 358 - 359 - 360 - 361 - 1055 - 1088 - 1089

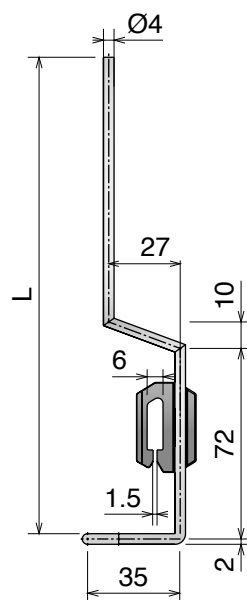
## 387 Sostegno per Sgocciolatoio Drip Tray Supports / Tropfblechhalter

Delivery: **Easy** **Standard** Max load capacity 20 Kg

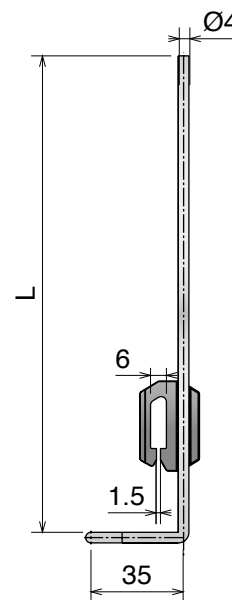
Part	Article-Nr.	L	Type
387	38701	180	A
387	38702	250	A
387	38703	180	B
387	38704	250	B
387	38705	280	B
387	38706	246	C
387	38707	396	C
387	38708	180	D
387	38709	250	D



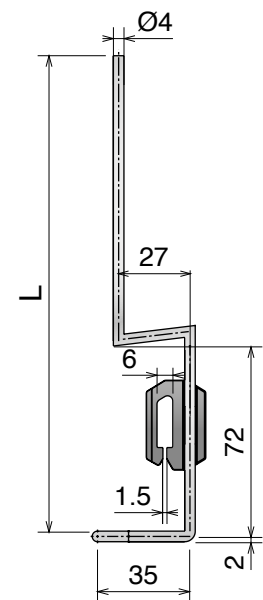
TYPE A



TYPE B



TYPE C

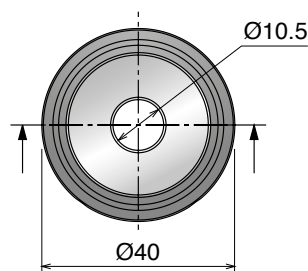
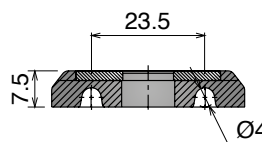
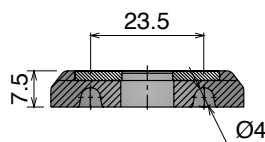


TYPE D

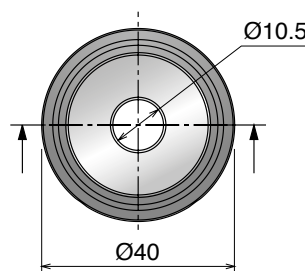
## 388 Rondella di fissaggio Fixing washer / Fixierscheibe

Delivery: **Easy** **Standard**

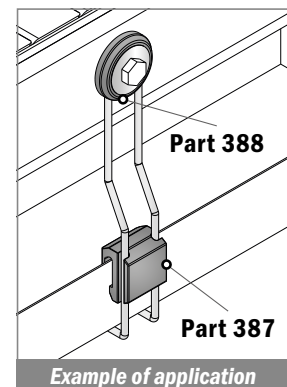
Part	Article-Nr.	Type
388	38801	A
388	38802	B



TYPE A



TYPE B



## NEW 903 Vite igienica certificata ed igienica Certified hygienic screw / Zertifiziert hygienische Schraube

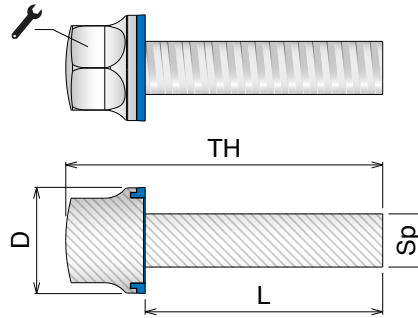
Delivery: **Easy** **Standard**



**Main features:**

- Stainless steel AISI 304
- Blue seal for hermetic closure

Art-Nr.	Sp	D	TH	L		Box
903255	M8	16	58	45	13	10 pcs
903253	M10	20	60	45	16	10 pcs
903251	M12	24,5	78	60	18	10 pcs



**CERTIFIED PRODUCTS**  
ASK FOR CERTIFICATION:  
[certificate@movexii.com](mailto:certificate@movexii.com)

*Example of application*

## NEW 903 Dado certificato ed igienico Certified hygienic nut / Zertifiziert hygienische Hutmutter

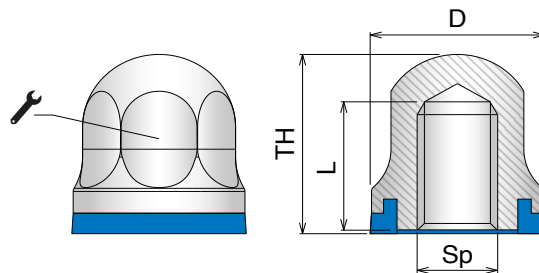
Delivery: **Easy** **Standard**



**Main features:**

- Stainless steel AISI 304
- Blue seal for hermetic closure

Art-Nr.	Sp	D	TH	L		Box
903235	M6	13	14	10	10	10 pcs
903236	M8	16	17	12	13	10 pcs
903237	M10	20	20,5	15	16	10 pcs
903238	M12	24,5	25	18	18	10 pcs
903239	M16	32	32	23	24	10 pcs
903240	M20	39	38	27	30	10 pcs



**CERTIFIED PRODUCTS**  
ASK FOR CERTIFICATION:  
[certificate@movexii.com](mailto:certificate@movexii.com)

*Example of application*

## 998 Dado Nut / Sechskantmutter

Delivery: **Easy** **Standard**

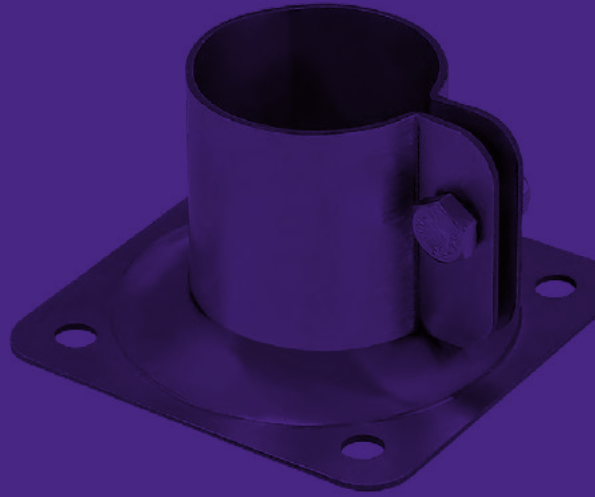


**Main features:**

- Stainless steel (SS) or Zinc plated steel (FeZn)
- UNI 5588 - ISO 4032 - DIN 934

Art-Nr.	Art-Nr.	Sp	Box
SS	FeZn		
99801	99801Z	M10	50 pcs
99802	99802Z	M12	50 pcs
99804	99804Z	M16	10 pcs
99805	99805Z	M20	10 pcs
99806	99806Z	M24	5 pcs
99807	99807Z	M30	5 pcs
99808	99808Z	M36	5 pcs





<b>401</b>  Pag 514	<b>402</b>  Pag 514	<b>403</b>  Pag 515	<b>404</b>  Pag 515	<b>407</b>  Pag 516	<b>408</b>  Pag 516
<b>409</b>  Pag 517	<b>499</b>  Pag 517	<b>410</b>  Pag 518	<b>411</b>  Pag 518	<b>426</b>  Pag 519	<b>432</b>  Pag 519
<b>427</b>  Pag 520	<b>343</b>  Pag 520	<b>425</b>  Pag 521	<b>413</b>  Pag 521	<b>433</b>  Pag 522	<b>414</b>  Pag 522
<b>419</b>  Pag 523	<b>420</b>  Pag 523	<b>415</b>  Pag 524	<b>416</b>  Pag 525	<b>428</b>  Pag 526	<b>429</b>  Pag 526
<b>430</b>  Pag 526	<b>418</b>  Pag 527	<b>421</b>  Pag 527	<b>422</b>  Pag 528	<b>423</b>  Pag 528	<b>424</b>  Pag 528

# 401-402

Componenti di supporto / Conveyor support components / Stützelemente

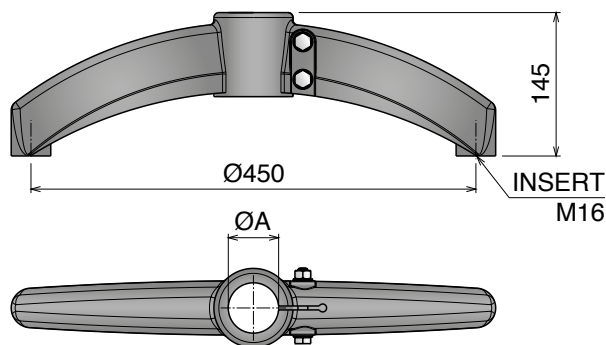
## Materiale / Material / Materialien:

Basi: Poliammide/Base: Polyamide/Halter: Polyamid

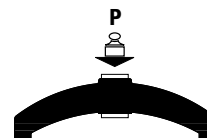
Viti e rondelle: Acciaio inox/Screws and washers: Stainless steel/Schrauben und Scheibe: Edelstahl  
Inserti e dadi: ottone nichelato/Inserts nuts: nickel plated brass/Mutter: Messing vernickelt

## 401 Base a due braccia Bipod / Zweibeinhalter

Delivery: **Easy** **Standard** Fasteners included | Max recommended tightening torque: 25 N mt



Part	Article-Nr.	ØA
401	40101	48,3
401	40105	50,9
401	40102	60,3



Tube sliding load resistance

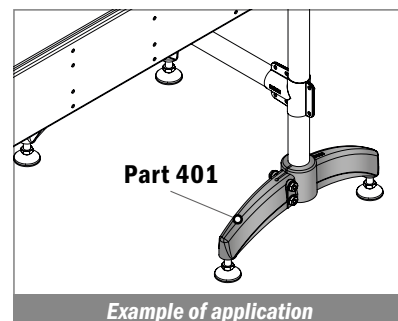
$P = 8000\text{ N}$

Max applicable load

$P = 9600\text{ N}$

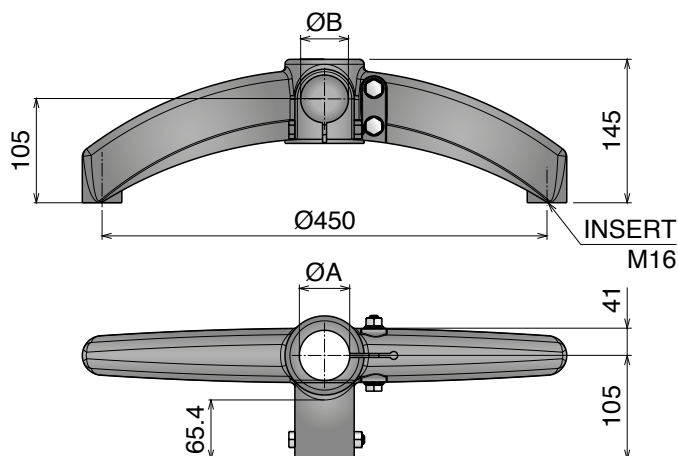
Bolts tightening torque

25 N.m

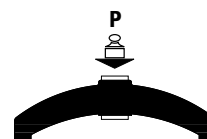


## 402 Base a due braccia 180° con giunto Bipod 180° with connector / Zweibeinhalter 180° m. Verbinder

Delivery: **Easy** **Standard** Fasteners included | Max recommended tightening torque: 25 N mt



Part	Article-Nr.	ØA	ØB
402	40201	48,3	48,3
402	40205	50,9	48,3
402	40202	60,3	48,3
402	40203	48,3	42,4
402	40206	50,9	42,4
402	40204	60,3	42,4



Tube sliding load resistance

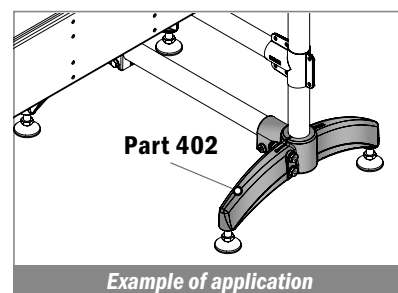
$P = 8000\text{ N}$

Max applicable load

$P = 8000\text{ N}$

Bolts tightening torque

25 N.m



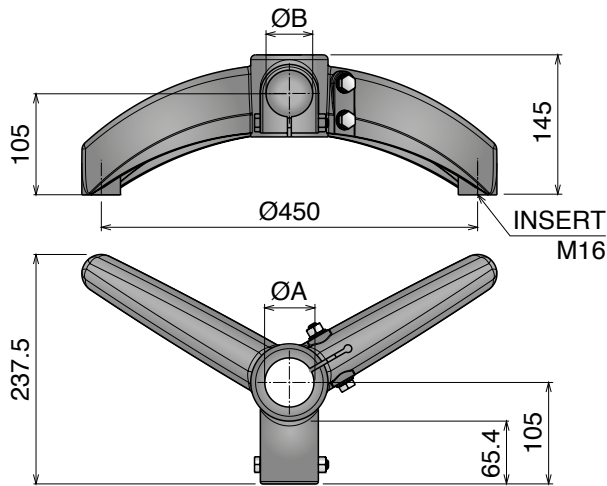
**Materiale / Material / Materialien:**

Basi: Poliammide/Base: Polyamide/Halter: Polyamid

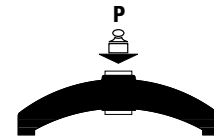
Viti e rondelle: Acciaio inox/Screws and washers: Stainless steel/Schrauben und Scheibe: Edelstahl  
 Inserti e dadi: ottone nichelato/Inserts nuts: nickel plated brass/Mutter: Messing vernickelt

## 403 Base a due braccia 120° con giunto Bipod 120° with connector / Zweibeinhalter 120° m. Verbinder

Delivery: **Easy** **Standard** Fasteners included | Max recommended tightening torque: 25 N mt



Part	Article-Nr.	ØA	ØB
403	40301	48,3	48,3
403	40305	50,9	48,3
403	40302	60,3	48,3
403	40303	48,3	42,4
403	40306	50,9	42,4
403	40304	60,3	42,4



**Tube sliding load resistance**

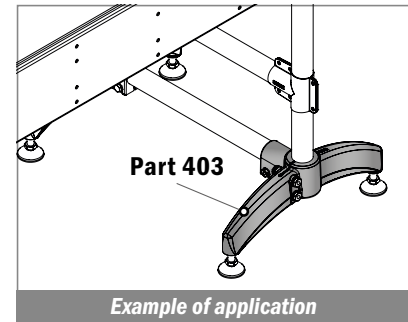
$P = 8000\text{ N}$

**Max applicable load**

$P = 8000\text{ N}$

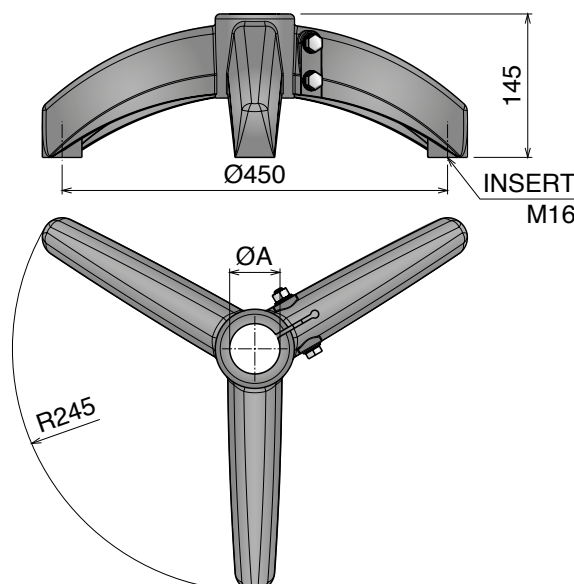
**Bolts tightening torque**

25 N.m

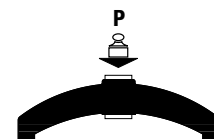


## 404 Base a tre braccia Tripod / Dreibeinhalter

Delivery: **Easy** **Standard** Fasteners included | Max recommended tightening torque: 25 N mt



Part	Article-Nr.	ØA
404	40401	48,3
404	40405	50,9
404	40402	60,3



**Tube sliding load resistance**

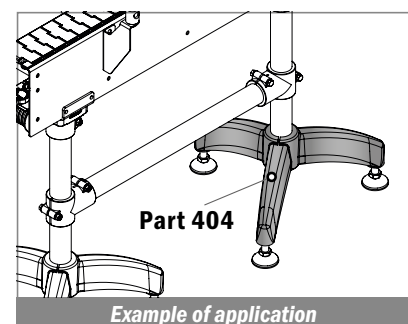
$P = 8000\text{ N}$

**Max applicable load**

$P = 10000\text{ N}$

**Bolts tightening torque**

25 N.m



# 407-408

Componenti di supporto / Conveyor support components / Stützelemente

## Materiale / Material / Materialien:

Testata: Poliammide / Side bracket: Polyamide / Halter: Polyamid

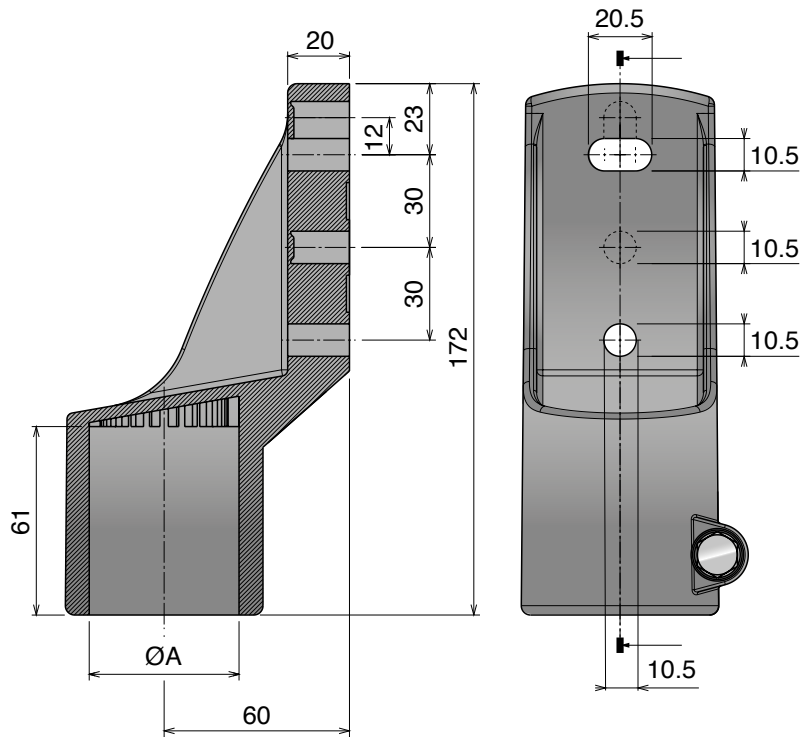
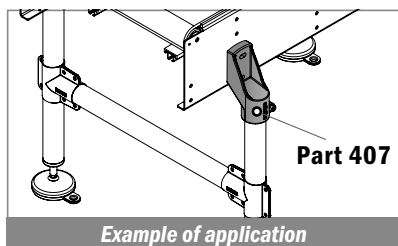
Viti e rondelle: Acciaio inox / Screws and washers: Stainless steel / Schrauben und Scheibe: Edelstahl

Dadi: ottone nichelato / Nuts: nickel plated brass / Mutter: Messing vernickelt

## 407 Testata laterale Side mounting top bracket / seitlicher Stützkopf

Delivery: **Easy** **Standard** Max recommended tightening torque: 20 N mt

Part	Article-Nr.	ØA
407	40701	48,3
407	40702	50,9

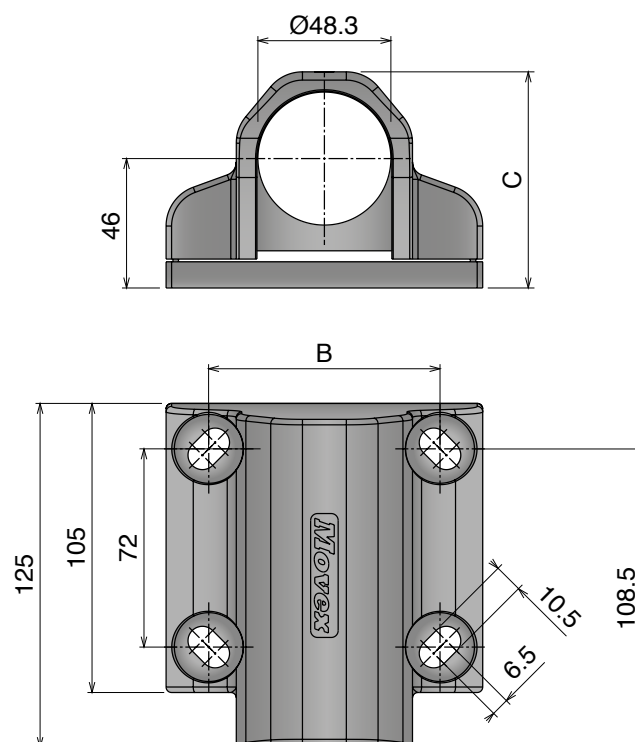
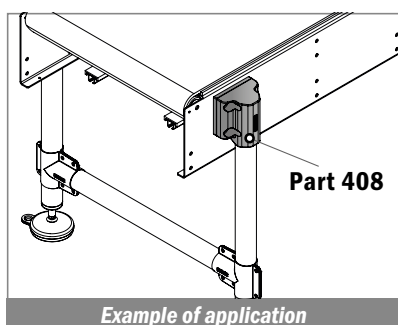


## 408 Testata laterale Side mounting top bracket / seitlicher Stützkopf

Delivery: **Easy** **Standard** Fasteners not included | Max recommended tightening torque: 25 N mt

**RANGE EXTENSION**

Part	Article-Nr.	ØA	B	C
408	40801	48,3	84	72,5
408	40802	50,9	94	83,5
408	40803	60,3	94	83,5



**Materiale / Material / Materialien:**

Testata: Acciaio inox / Support head: stainless steel / Halter: Edelstahl  
 Viti e rondelle: Acciaio inox / Screws and washers: Stainless steel / Mutter: Edelstahl

**409-499**

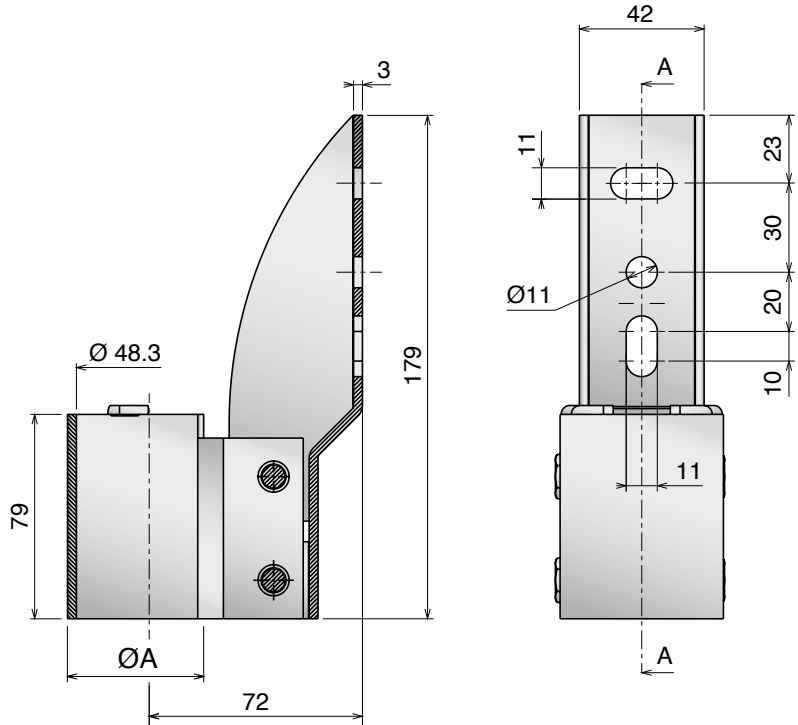
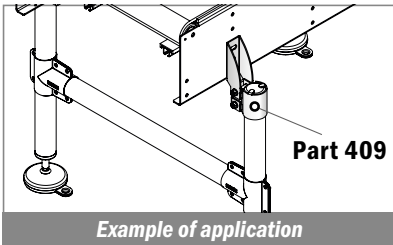
Componenti di supporto / Conveyor support components / Stützelemente

**409** Testata laterale  
 Side mounting top bracket / seitlicher Stützkopf

Stainless Steel | AISI 304

Delivery: **Easy** **Standard** Fasteners not included

Part	Article-Nr.	ØA
409	40901	48,3

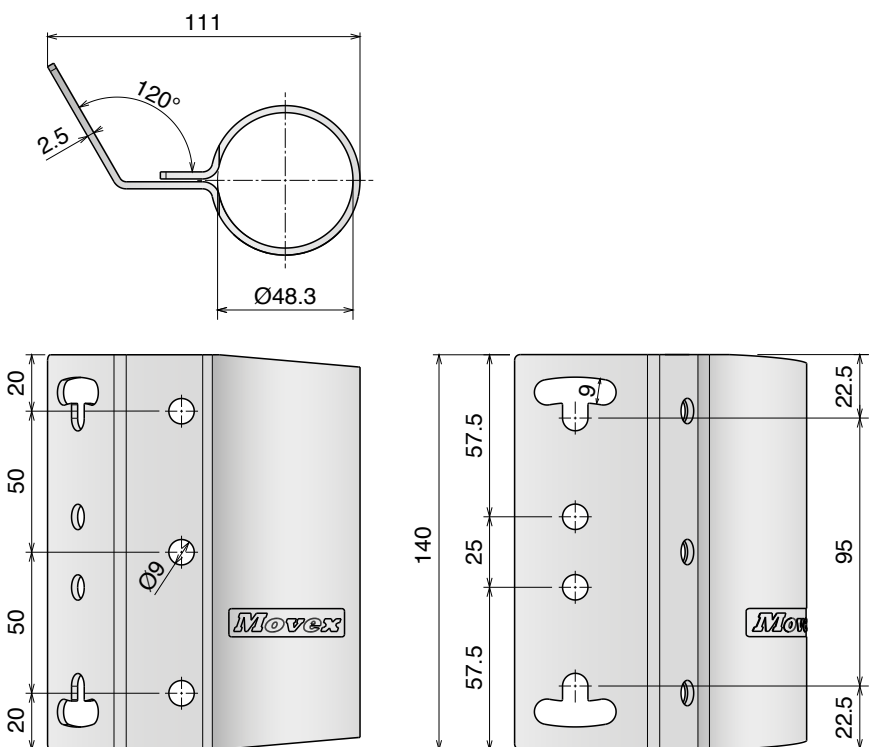
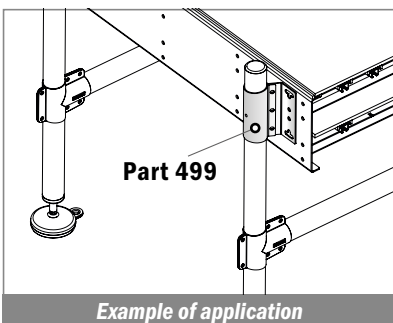


**499** Testata laterale  
 Side mounting top bracket / seitlicher Stützkopf

Stainless Steel | AISI 304

Delivery: **Easy** **Standard** Fasteners not included

Part	Article-Nr.	ØA
499	49995	48,3



# 410-411

Componenti di supporto / Conveyor support components / Stützelemente

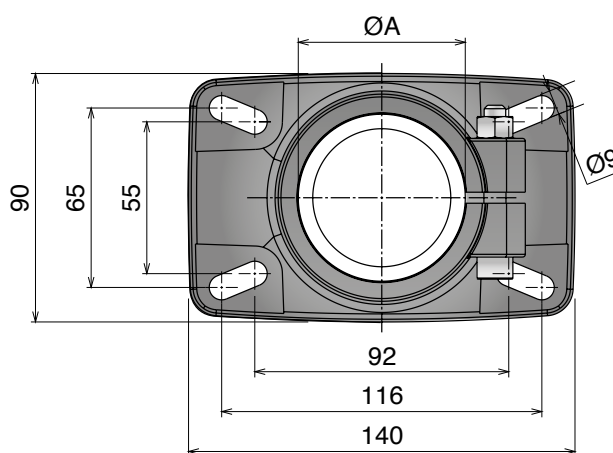
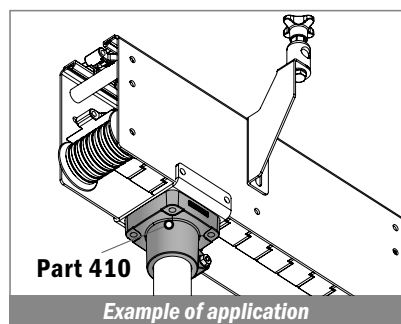
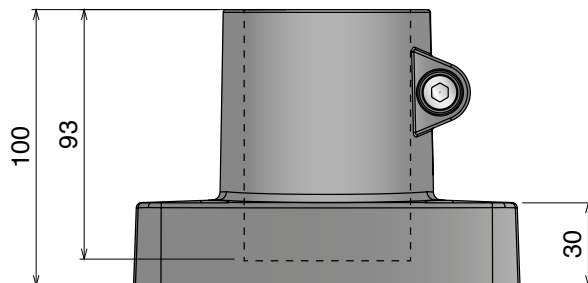
## Materiale / Material / Materialien:

Testata: Poliammide/Support head: Polyamide/Halter: Polyamid  
Viti e rondelle e dado: Acciaio inox /Screws, washers and nut:  
Stainless steel /Schrauben, Scheibe und Mutter: Edelstahl

## 410 Testata d'appoggio Support head / Stützkopf

Delivery: **Easy** **Standard** Max recommended tightening torque: 35 N mt

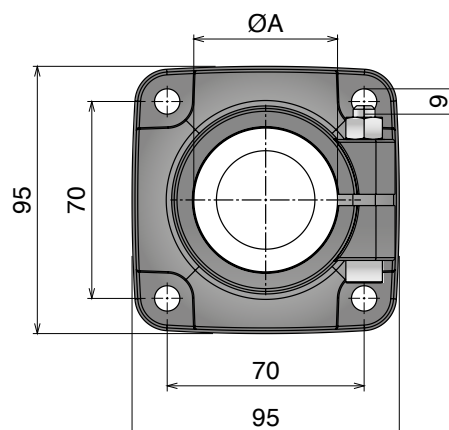
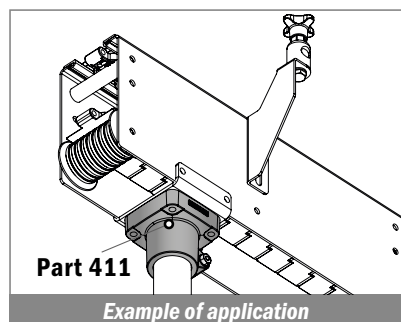
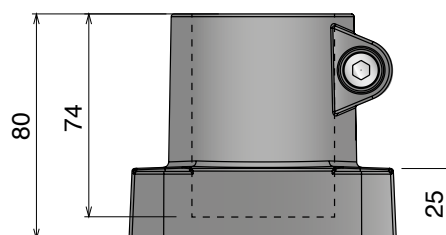
Part	Article-Nr.	ØA
410	41001	48,3
410	41002	60,3



## 411 Testata d'appoggio Support head / Stützkopf

Delivery: **Easy** **Standard** Max recommended tightening torque: 15 N mt

Part	Article-Nr.	ØA
411	41101	48,3
411	41102	50,9



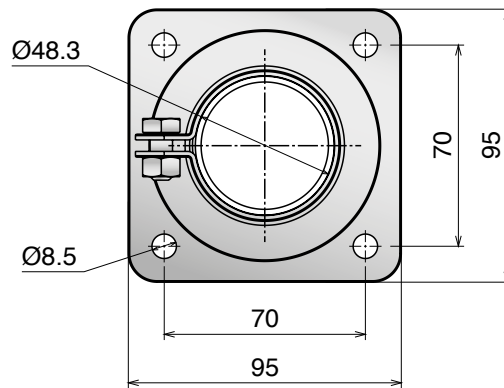
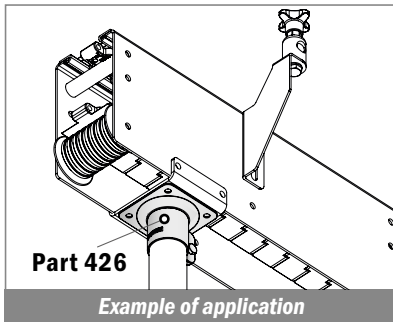
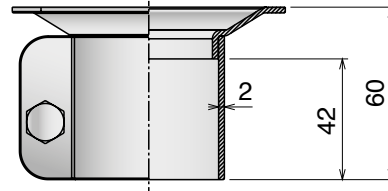
## 426 Testata d'appoggio Support head / Stützkopf

Stainless Steel | AISI 304

Screw included

Part Article-Nr.

426 42601



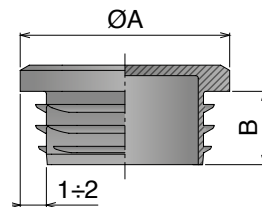
## 432 Tappo per tubo metrico tondo e quadro Plug for round and square metric tube / Runde und Quadratische Lamellenstopfen für metrische Rohre

RANGE EXTENSION

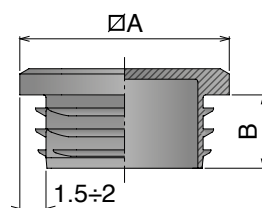
Delivery: **Easy** Standard

Part	Article-Nr.	ØA	B	Type
432	43202	20	11	A
432	43203	25	14	A
432	43204	30	14	A
432	43205	35	14	A
432	43206	40	14	A
432	43201	48	14	A
432	43207	50	17	A

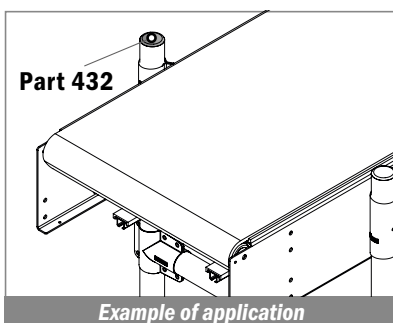
Part	Article-Nr.	∇A	B	Type
432	43252	20 x 20	11	B
432	43253	25 x 25	14	B
432	43254	30 x 30	14	B
432	43255	35 x 35	14	B
432	43256	40 x 40	14	B
432	43251	50 x 50	14	B
432	43257	60 x 60	14	B



TYPE A - Rounded



TYPE B - Square

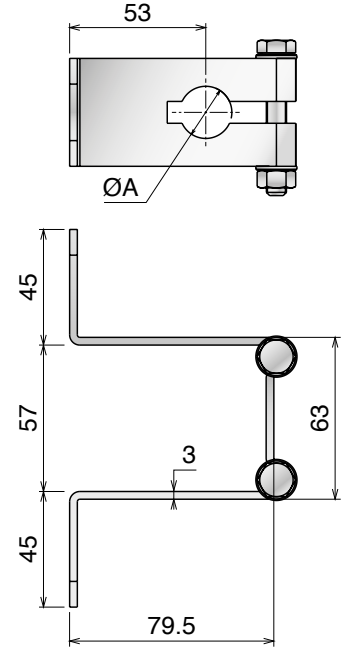
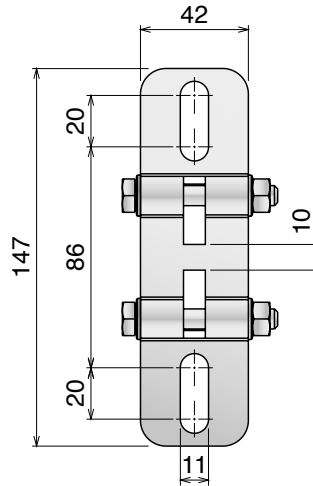
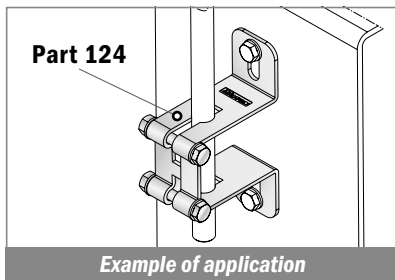


## 427 Supporto laterale Side bracket / Seitenhalter

Stainless Steel | AISI 304

Delivery: **Easy** Standard

Part	Article-Nr.	ØA
427	42701	16
427	42702	20

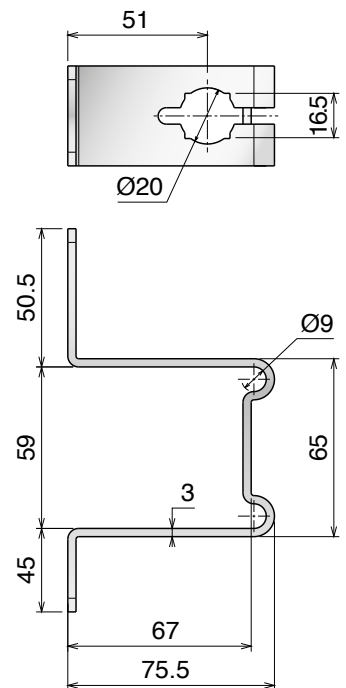
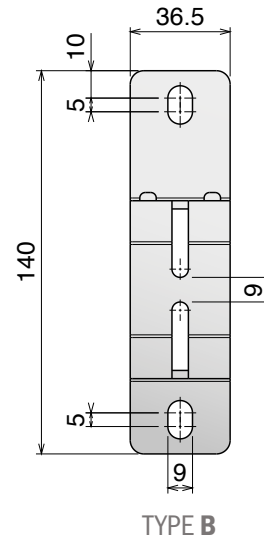
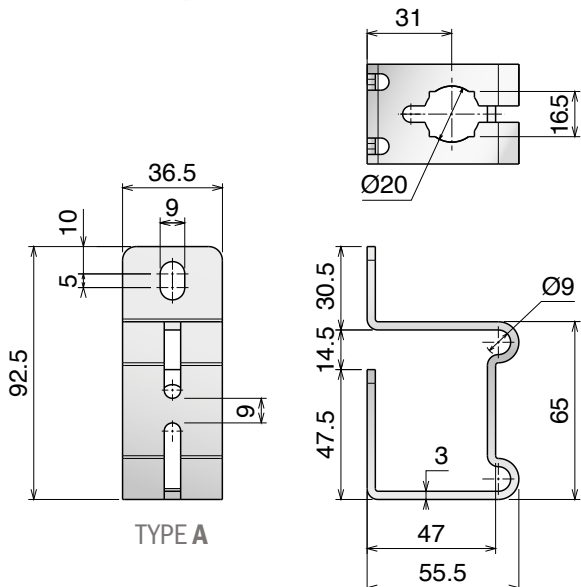


## NEW 343 Supporto laterale Side bracket / Seitenhalter

Stainless Steel | AISI 304

Delivery: **Easy** Standard

Part	Article-Nr.	Type
343	34301	A
343	34302	B





**Materiale / Material / Materialien:**

Giunto: Poliammide / Joint: Polyamide / Verbinder: Polyamid

Viti e rondelle: Acciaio inox / Screws and washers: Stainless steel / Schrauben und Scheibe: Edelstahl

Inseriti e dadi: Acciaio inox / Inserts nuts: Stainless steel / Mutter: Edelstahl

# 425-413

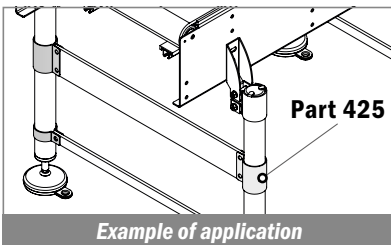
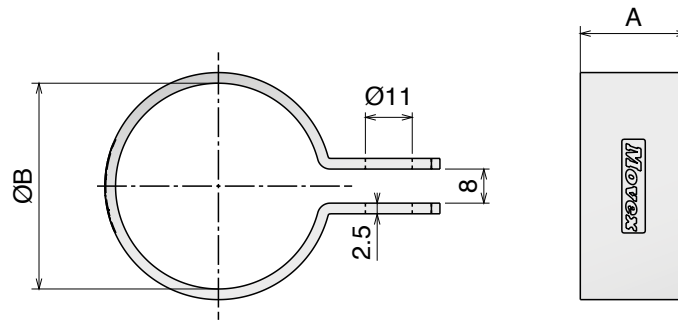
Componenti di supporto / Conveyor support components / Stützelemente

## 425 Morsetto a collare (acciaio inox) Clamp collar (SS) / Klemmschelle (Edelstahl)

Stainless Steel | AISI 304

Delivery: **Easy** Standard

Part	Article-Nr.	A	ØB
425	42501	25	48,3
425	42511	25	50,8
425	42521	76,2	50,8

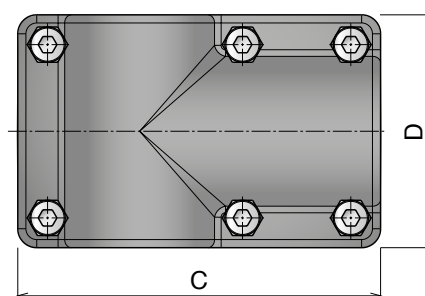
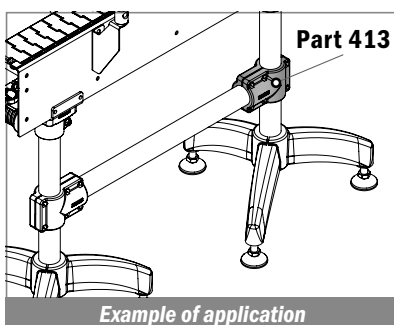
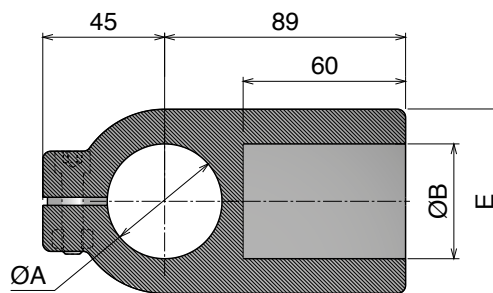


## 413 Giunto di collegamento Connecting joint / Verbindungselement

RANGE EXTENSION

Delivery: **Easy** Standard Max recommended tightening torque: 15 N mt

Part	Article-Nr.	ØA	ØB	C	D	E
413	41301	48,3	48,3	134	86	68
413	41304	50,9	50,9	134	86	68
413	41302	60,3	48,3	146	98	80
413	41303	60,3	60,3	146	98	80



# 433-414

Componenti di supporto / Conveyor support components / Stützelemente

## Materiale / Material / Materialien:

Giunto: Poliammide / Joint: Polyamide / Verbinder: Polyamid

Viti e rondelle: Acciaio inox / Screws and washers: Stainless steel / Schrauben und Scheibe: Edelstahl

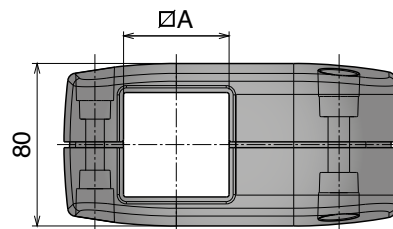
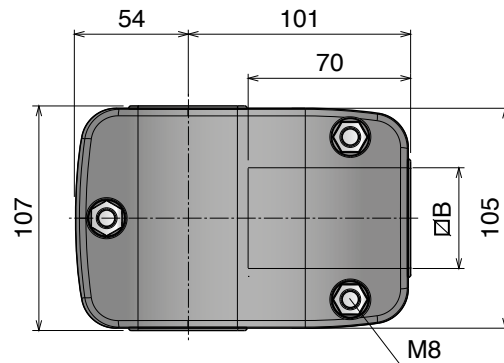
Inserti e dadi: Acciaio inox / Inserts nuts: Stainless steel / Mutter: Edelstahl

## NEW 433

Giunto di collegamento per tubi quadrati

Connecting joint for square tubes / Verbindungselement für vierkant Rohre

Delivery: **Easy** Standard



Part	Article-Nr.	ØA	ØB
433	43301	30	30
433	43302	40	40
433	43303	45	45
433	43304	50	50

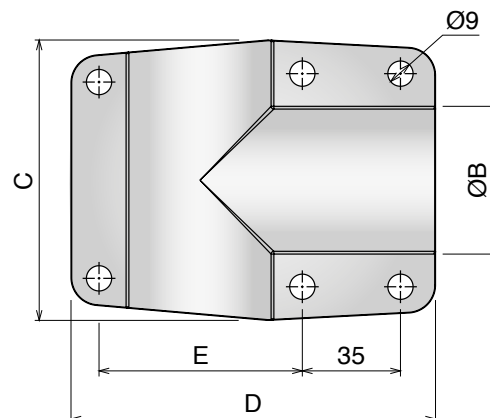
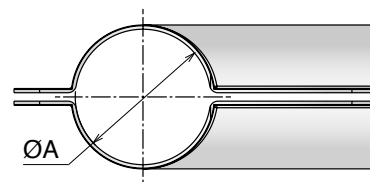
## 414

Giunto di collegamento (acciaio inox)

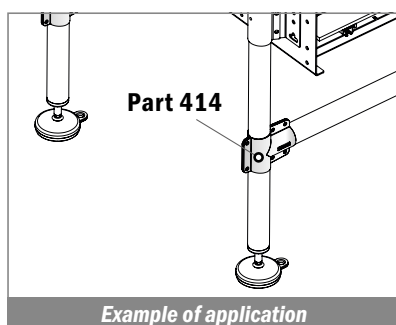
Connecting joint (SS) / Verbindungselement (Edelstahl)

Stainless Steel | AISI 304

Delivery: **Easy** Standard Max recommended tightening torque: 25 N mt



Part	Article-Nr.	ØA	ØB	C	D	E
414	41401	48,3	48,3	100	130	72,5
414	41402	60,3	60,3	110	150	92,5



**Materiale / Material / Materialien:**

Tappo: Poliammide / Plug: Polyamide / Stopfen: Polyamid

Inseri: PA o Ottone / Inserts: PA or Brass

Einsatz: PA oder Messing

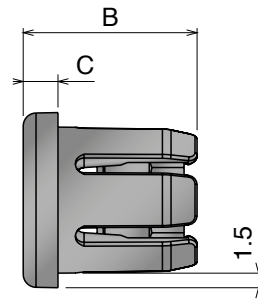
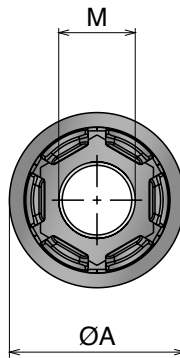
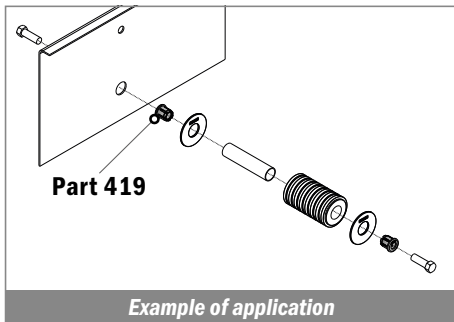
## 419 Tappi ad espansione Expansions plugs / Gewindezapfen, Spreizbar

Delivery: **Easy** **Standard**



**Brass insert  
High Strength**

Part	Article-Nr.		ØA	B	C	M
	Brass Bush	PA Bush				
419	41907	-	20	19	3	M8
419	41908	-	20	19	3	M10
419	41901	-	20	20	4	M8
419	41902	-	20	20	4	M10
419	41903	41913	38	40	5	M8
419	41904	41914	38	40	5	M10
419	41905	41915	42,4	40	5	M8
419	41906	41916	42,4	40	5	M10



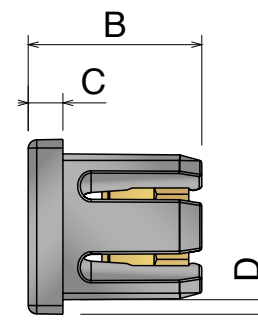
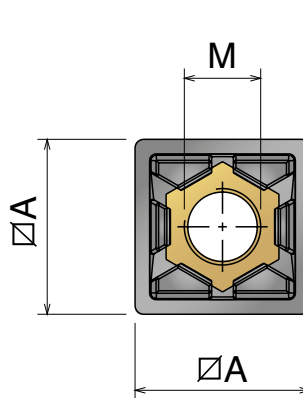
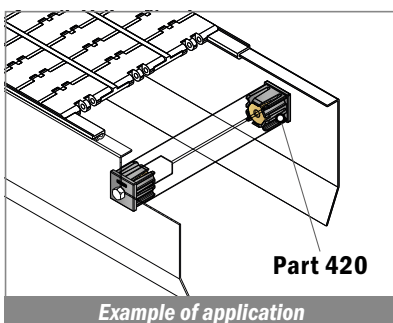
## 420 Tappi ad espansione Expansions plugs / Gewindezapfen, Spreizbar

Delivery: **Easy** **Standard**



**Brass insert  
High Strength**

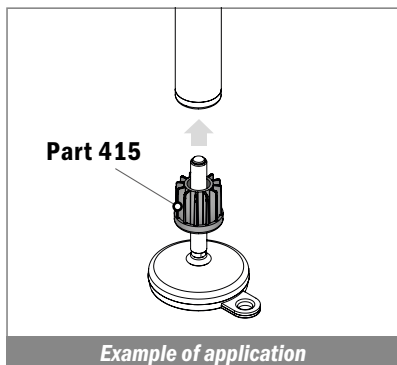
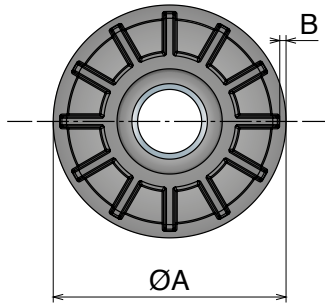
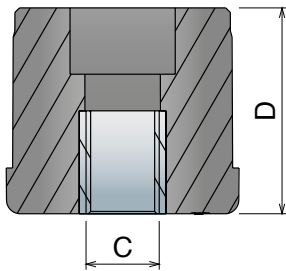
Part	Article-Nr.		∅A	B	C	D	M
	Brass Bush	PA Bush					
420	42001	-	20	20	4	1,5	M8
420	42002	-	20	20	4	1,5	M10
420	42003	-	20	20	4	2	M8
420	42004	-	20	20	4	2	M10
420	42005	42015	40	40	5	2	M8
420	42006	42016	40	40	5	2	M10



## 415 Tappi tondi filettati Threaded bushings for round tubes / Gewindezapfen f. Rund-Rohr

**RANGE EXTENSION**

Delivery:	Easy	Standard	Part	Art.-Nr.	ØA	B	C	D	Part	Art.-Nr.	ØA	B	C	D
			415	415001	20	2	M8	23	415	41550			M10	48
			415	415002			M8	26	415	41551			M12	48
			415	415003	25	2	M10	26	415	41552	48,3	1,5	M14	48
			415	415004			M12	26	415	41501			M16	48
			415	41507			M10	33	415	41502			M20	48
			415	41508	30	1	M12	33	415	41553			M10	55
			415	41509			M14	33	415	41554			M12	55
			415	41510			M16	33	415	41555	48,3	2	M14	55
			415	41511			M10	33	415	41556			M16	55
			415	41512	30	1,5	M12	33	415	41557			M20	55
			415	41513			M14	33	415	41558			M10	45
			415	41514			M16	33	415	41559			M12	45
			415	41515	30	2	M10	33	415	41560	48,3	2,5	M14	45
			415	41516			M12	33	415	41561			M16	45
			415	41517	30	2	M14	33	415	41562			M20	45
			415	41518			M16	33	415	41563			M10	45
			415	41519	30		M10	33	415	41564			M12	45
			415	41520			M12	33	415	41565	50	1,5	M14	45
			415	41521	30	2,5	M14	33	415	41503			M16	45
			415	41522			M16	33	415	41504			M20	45
			415	41523			M10	40	415	415015			M10	45
			415	41524	38	1,5	M12	40	415	415016			M12	45
			415	41525			M14	40	415	415017	50	3	M14	45
			415	41526			M16	40	415	415018			M16	45
			415	41527			M10	40	415	415019			M20	45
			415	41528	38	2	M12	40	415	41566			M10	50
			415	41529			M14	40	415	41567			M12	50
			415	41530			M16	40	415	41568	50,9	1,5	M14	50
			415	41531			M10	40	415	41569			M16	50
			415	41532	38	2,5	M12	40	415	41570			M20	50
			415	41533			M14	40	415	41571			M10	45
			415	41534			M16	40	415	41572			M12	45
			415	415005			M8	40	415	41573	50,9	2	M14	45
			415	415006			M10	40	415	41574			M16	45
			415	415007	40	3	M12	40	415	41575			M20	45
			415	415008			M14	40	415	41576			M10	45
			415	415009			M16	40	415	41577			M12	45
			415	41535			M10	43	415	41578	50,9	2,5	M14	45
			415	41536			M12	43	415	41579			M16	45
			415	41537	42,4	1,5	M14	43	415	41580			M20	45
			415	41538			M16	43	415	415020			M10	55
			415	41539			M20	43	415	415021			M12	55
			415	41540			M10	43	415	415022	60,3	1,2	M14	55
			415	41541			M12	43	415	415023			M16	55
			415	41542	42,4	2	M14	43	415	415024			M20	55
			415	41543			M16	43	415	41581			M10	55
			415	41544			M20	43	415	41582			M12	55
			415	41545			M10	43	415	41583	60,3	1,5	M14	55
			415	41546			M12	43	415	41584			M16	55
			415	41547	42,4	2,5	M14	43	415	41585			M20	55
			415	41548			M16	43	415	41586			M10	55
			415	41549			M20	43	415	41587			M12	55
			415	415010			M10	48	415	41588	60,3	2	M14	55
			415	415011			M12	48	415	41505			M16	55
			415	415012	45	3	M14	48	415	41506			M20	55
			415	415013			M16	48	415	41589			M10	55
			415	415014			M20	48	415	41590			M12	55
									415	41591	60,3	2,5	M14	55
									415	41592			M16	55
									415	41593			M20	55

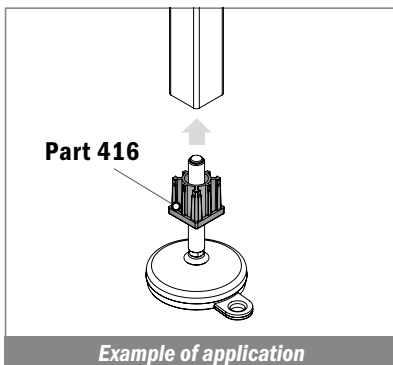
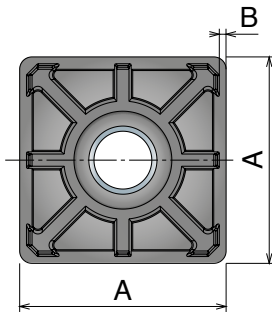
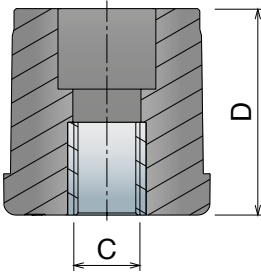


# 416 Tappi quadri filettati

Threaded bushings for square tubes / Gewindezapfen f. Vierkant-Rohr

RANGE EXTENSION

Delivery: **Easy** Standard



Part	Article-Nr.	A	B	C	D	Part	Article-Nr.	A	B	C	D
416	416001	20	1,5	M8	23	416	416003			M10	38
416	416002	20	2	M8	23	416	416004			M12	38
416	41601	25	1,5	M10	26	416	416005	45	3	M14	38
416	41602			M12	26	416	416006			M16	38
416	41611			M10	33	416	416007			M20	38
416	41603	30	1,5	M12	33	416	41648			M10	50
416	41612			M14	33	416	41649			M12	50
416	41604			M16	33	416	41650	50	1,2	M14	50
416	41613			M10	33	416	41651			M16	50
416	41614	30	2	M12	33	416	41652			M20	50
416	41615			M14	33	416	41653			M10	50
416	41616			M16	33	416	41654			M12	50
416	41617			M10	38	416	41655	50	1,5	M14	50
416	41618			M12	38	416	41656			M16	50
416	41619	35	1,5	M14	38	416	41657			M20	50
416	41620			M16	38	416	41658			M10	50
416	41621			M20	38	416	41659			M12	50
416	41622			M10	43	416	41660	50	2	M14	50
416	41623			M12	43	416	41609			M16	50
416	41624	35	2	M14	43	416	41610			M20	50
416	41625			M16	43	416	41661			M10	50
416	41626			M20	43	416	41662			M12	50
416	41681			M10	43	416	41663	50	2,5	M14	50
416	41682			M12	43	416	41664			M16	50
416	41683	38,1	1,6	M14	43	416	41665			M20	50
416	41684			M16	43	416	41666			M10	50
416	41685			M20	43	416	41667			M12	50
416	41686			M10	43	416	41668	50	3	M14	50
416	41687	38,1	3	M12	43	416	41669			M16	50
416	41688			M14	43	416	41670			M20	50
416	41689			M16	43	416	41671			M10	55
416	41690			M20	43	416	41672			M12	55
416	41627			M10	38	416	41673	60	2	M14	55
416	41628			M12	38	416	41674			M16	55
416	41629	40	1,2	M14	38	416	41675			M20	55
416	41630			M16	38	416	41676			M10	55
416	41631			M20	38	416	41677			M12	55
416	41632			M10	43	416	41678	60	3	M14	55
416	41605			M12	43	416	41679			M16	55
416	41633	40	1,5	M14	43	416	41680			M20	55
416	41606			M16	43	416	41608	80	3	M14	55
416	41634			M20	43	416	41609			M16	55
416	41635			M10	43	416	416010			M20	55
416	41636			M12	43						
416	41637	40	2	M14	45						
416	41607			M16	45						
416	41608			M20	45						
416	41638			M10	38						
416	41639			M12	38						
416	41640	40	2,5	M14	38						
416	41641			M16	38						
416	41642			M20	38						
416	41643			M10	38						
416	41644			M12	38						
416	41645	45	2	M14	38						
416	41646			M16	38						
416	41647			M20	38						

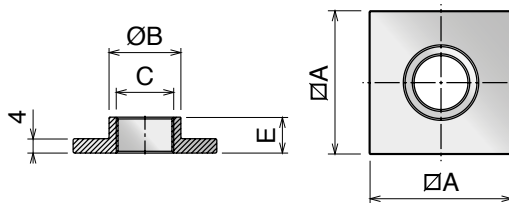
## 428 Tappi quadrati filettati Threaded bushings for square tube / Gewindezapfen f. Vierkant-Rohr

Stainless Steel | AISI 304

Delivery: **Easy** Standard



Part	Article-Nr.	∅A	C	∅B	E
428	42801	40	M16	20	10
428	42802	40	M20	23	11,5
428	42803	45	M16	20	10
428	42804	45	M20	23	11,5
428	42805	50	M16	20	10
428	42806	50	M20	23	11,5
428	42807	60	M16	20	10
428	42808	60	M20	23	11,5



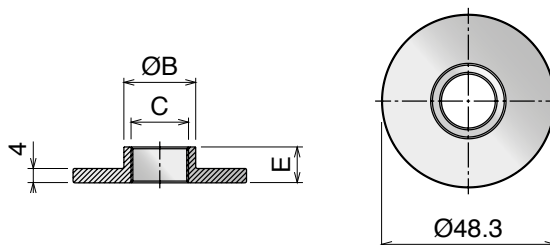
## 429 Tappi tondi filettati Threaded bushings for round tube / Gewindezapfen f. Rund-Rohr

Stainless Steel | AISI 304

Delivery: **Easy** Standard



Part	Article-Nr.	C	∅B	E
429	42901	M16	20	10
429	42902	M20	23	11,5



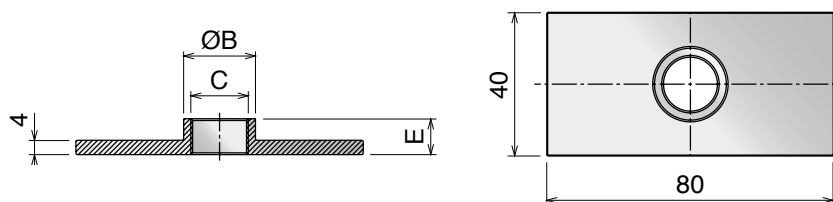
## 430 Tappi rettangolari filettati Threaded bushings for rectangular tube / Gewindezapfen f. Rechteck

Stainless Steel | AISI 304

Delivery: **Easy** Standard

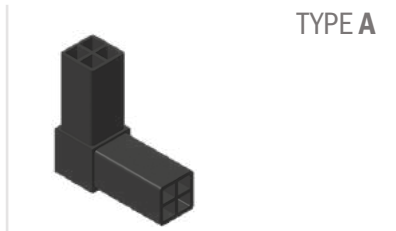


Part	Article-Nr.	C	∅B	E
430	43001	M16	20	10
430	43002	M20	23	11,5



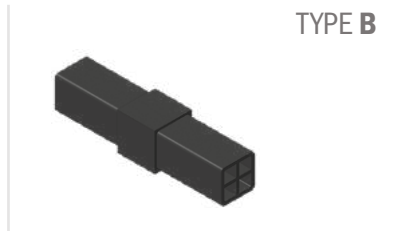
## 418 Giunto di collegamento Connecting joint / Verbindungselement

Delivery: **Easy** **Standard** For tubes 25 x 25 x 1.5 mm



TYPE A

Part	Article-Nr.	Type
418	41801	A



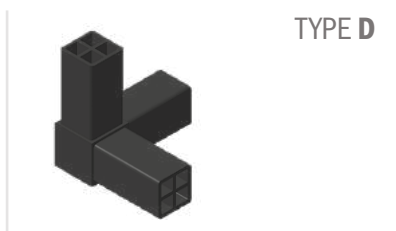
TYPE B

Part	Article-Nr.	Type
418	41802	B



TYPE C

Part	Article-Nr.	Type
418	41803	C



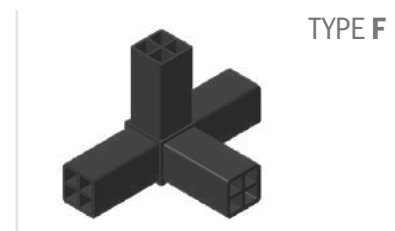
TYPE D

Part	Article-Nr.	Type
418	41804	D



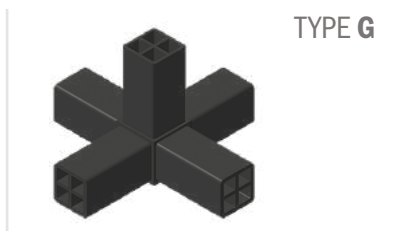
TYPE E

Part	Article-Nr.	Type
418	41805	E



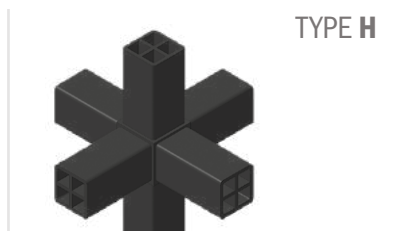
TYPE F

Part	Article-Nr.	Type
418	41806	F



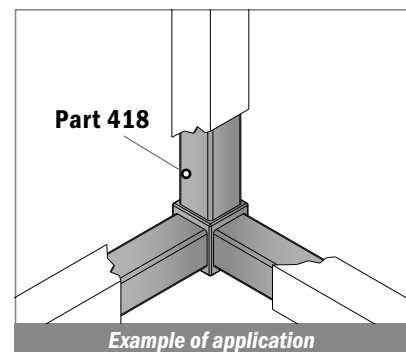
TYPE G

Part	Article-Nr.	Type
418	41807	G



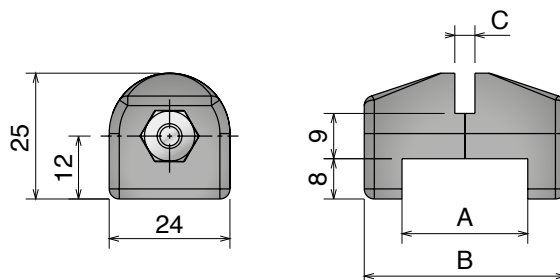
TYPE H

Part	Article-Nr.	Type
418	41808	H

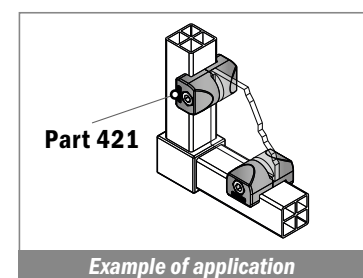


## 421 Blocco per pannelli Panel clamp / Panelklemme

Delivery: **Easy** **Standard**



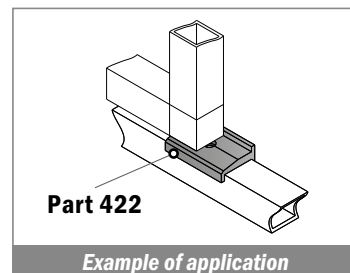
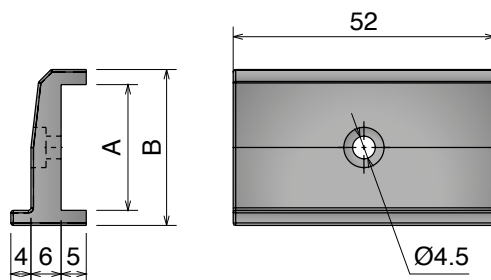
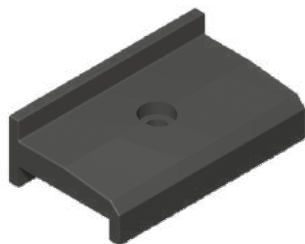
Part	Article-Nr.	A	B	C
421	42101	25	40	4
421	42102	25	40	5
421	42103	25	40	6
421	42104	30	45	4
421	42105	30	45	5
421	42106	30	45	6



## 422 Fermaporta Door stop / Türstopper

Delivery: **Easy** **Standard**

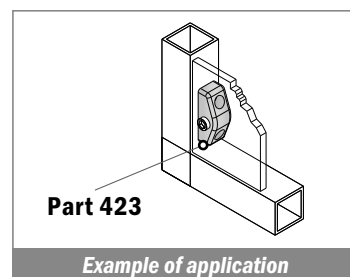
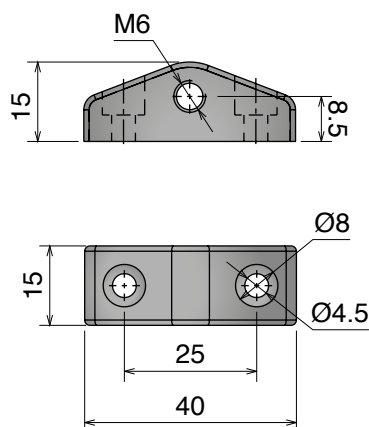
Part	Article-Nr.	A	B
422	42201	25	31



## 423 Blocchetto di fissaggio Fixing lock / Anschlag

Delivery: **Easy** **Standard**

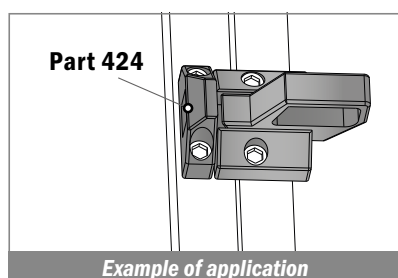
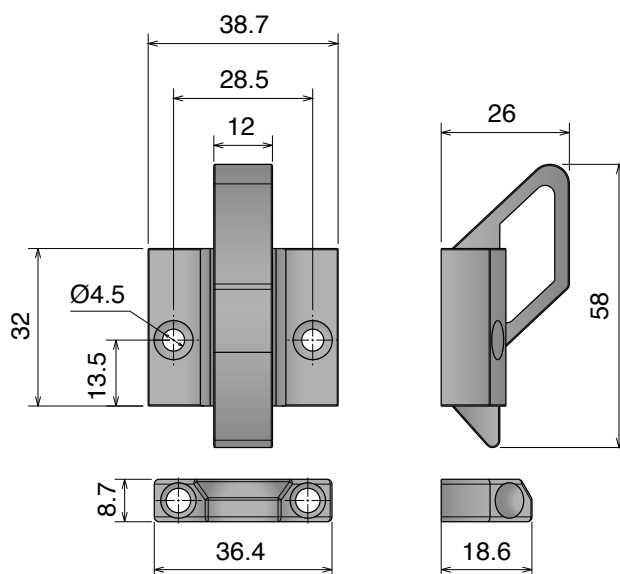
Part	Article-Nr.
423	42301



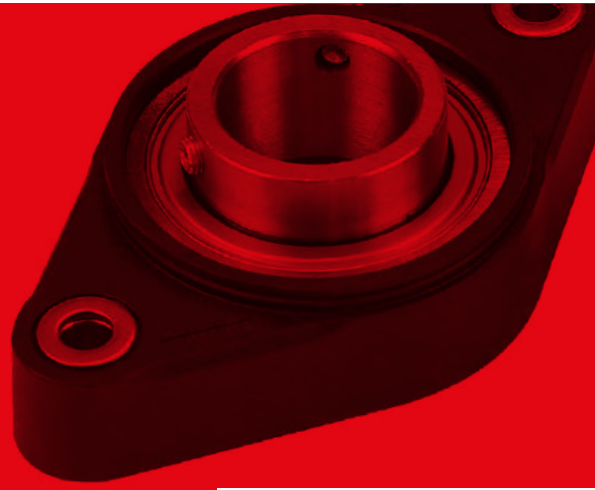
## 424 Fermaporta a molla Spring loaded latch / Türverschluss

Delivery: **Easy** **Standard**

Part	Article-Nr.
424	42401







NOW ALSO IN HYGIENIC BLUE 

## UCFL Series



Pag 530

Pag 533

## UCF Series



Pag 536

Pag 539

## UCFA Series



Pag 542

## UCFA Series



Pag 544

## UCFL-H / UCF-H Series



Pag 546

## CL / CS Series



Pag 548

## SUCF / SUCFL / SUCFK Series



Pag 551

## HYGIENIC Series - White/blue



Pag 553

Pag 554

Pag 555

Pag 554

Pag 555

## HYGIENIC Accessories



Pag 556

## UCFL

Delivery: **Easy** Standard

### Componenti

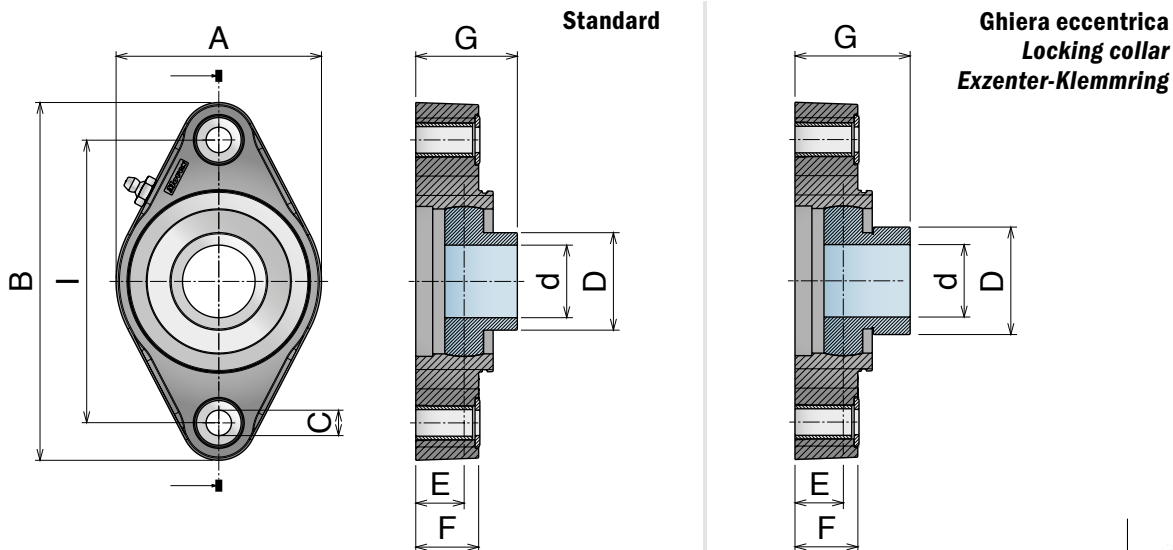
- Sede in poliammide rinforzato, con elevata resistenza meccanica e ottima resistenza contro agenti chimici corrosivi quali acqua, oli, benzina e liquidi contenenti alcool. Tutti i nostri cuscinetti possono essere utilizzati ad una temperatura compresa fra 0°C e +80°C.
- I cuscinetti sono realizzati in acciaio al cromo, disponibili anche, su richiesta, nella versione in acciaio inox. Il cuscinetto all'interno della flangia può essere regolato di 2,5°.
- L'ingrassatore viene realizzato in ferro nichelato, o in acciaio inox nella versione con il cuscinetto in acciaio inox.
- Distanziali realizzati in ottone nichelato per rinforzare il foro di fissaggio.
- Rondella in acciaio inox.

### Components

- *Housing in reinforced polyamide, with higher load capacity and good resistance to corrosive chemicals such as water, oils, petrol and alcoholic beverages. All our bearings can be used at temperatures between 0°C and +80°C.*
- *Ball bearings are made in chrome steel. They are also available, upon request, in stainless steel. Max misalignment between shaft and housing: 2.5°.*
- *Grease nipple are made in nickel plated steel, but they can also be made in stainless steel on the stainless steel bearing.*
- *Spacers from nickel plated brass to reinforce fixing holes.*
- *Washer stainless steel.*

### Komponenten

- *Gehäuse gefertigt aus verstärktem Polyamid. Dies gewährleistet eine gute Widerstandsfähigkeit gegenüber mechanischen Einflüssen und eine gute Korrosionsbeständigkeit gegenüber Wasser, Ölen, Benzin, Flüssigkeiten mit Alkohol und Chemikalien. Alle unsere Gehäuse-Lagereinheiten können in einem Temperaturbereich von 0°C bis +80°C eingesetzt werden.*
- *Die Lagereinsätze sind aus Chrom-Stahl, auf Anfrage auch in Edelstahl erhältlich. Alle Lager gleichen einen Fluchtungsfehler von bis zu 2,5° selbstständig aus.*
- *Die Schmiernippel sind aus vernickeltem Stahl (aus Edelstahl wenn die Ausführung mit Edelstahl Einsatz gefragt ist).*
- *Alle Distanzstücke sind aus vernickeltem Messing und verstärken die Befestigungsbohrungen.*
- *Alle Unterlegscheiben aus Edelstahl.*



Safety Cap

Inserto standard / Standard insert / Standard-Flanschlager

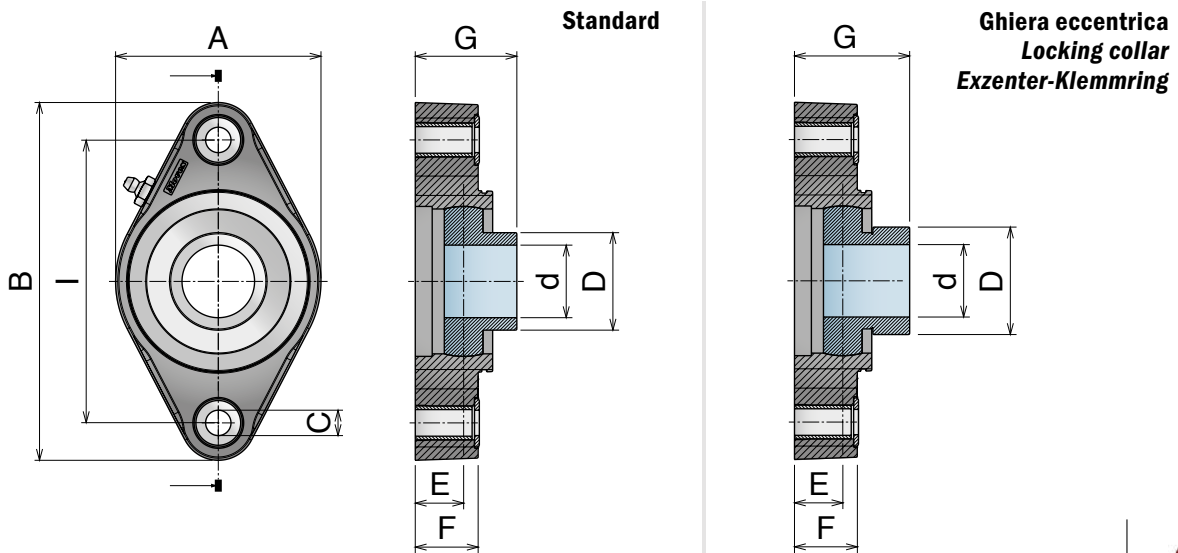
Chrome Steel	Part	Article-Nr.	Series	d	I	A	B	C	D	E	F	G	Article-Nr.
	801	80110	UCFL 204	20	90	62	116	11	29	16	20	34	89004
	801	80100	UCFL 204	20	90	71	130	11	29	17,5	22,5	33,5	89001
	801	80121	UCFL 205/90	25	90	85	116	11	34	14,5	20	34	89005
	801	80101	UCFL 205/90	25	90	71	130	11	34	16,8	22,5	36,3	89001
	801	80111	UCFL 205	25	99	71	130	11	34	16,8	22,5	36,3	89001
	801	80122	UCFL 206/90	30	90	85	116	11	40,3	14,5	20	36,5	89005
	801	80132	UCFL 206/99	30	99	85	130	11	40,3	20	26	42	89002
	801	80102	UCFL 206/99	30	99	85	148	11	40,3	20	26	42	89002
	801	80112	UCFL 206	30	117	85	148	11	40,3	20	26	42	89002
	801	80103	UCFL 207/117	35	117	93	148	11	48	19,5	26	43	89003
	801	80113	UCFL 207	35	130	93	162	11	48	19,5	26	43	89003
	801	80104	UCFL 208/117	40	117	93	148	11	53	19	26	44	89003
801	80114	UCFL 208	40	130	93	162	11	53	19	26	44	89003	

Inserto standard / Standard insert / Standard-Flanschlager

Stainless Steel	Part	Article-Nr.	Series	d	I	A	B	C	D	E	F	G	Article-Nr.
	801	80110SS	UCFL 204	20	90	62	116	11	29	16	20	34	89004
	801	80100SS	UCFL 204	20	90	71	130	11	29	17,5	22,5	33,5	89001
	801	80121SS	UCFL 205/90	25	90	85	116	11	34	14,5	20	34	89005
	801	80101SS	UCFL 205/90	25	90	71	130	11	34	16,8	22,5	36,3	89001
	801	80111SS	UCFL 205	25	99	71	130	11	34	16,8	22,5	36,3	89001
	801	80122SS	UCFL 206/90	30	90	85	116	11	40,3	14,5	20	36,5	89005
	801	80132SS	UCFL 206/99	30	99	85	130	11	40,3	20	26	42	89002
	801	80102SS	UCFL 206/99	30	99	85	148	11	40,3	20	26	42	89002
	801	80112SS	UCFL 206	30	117	85	148	11	40,3	20	26	42	89002
	801	80103SS	UCFL 207/117	35	117	93	148	11	48	19,5	26	43	89003
	801	80113SS	UCFL 207	35	130	93	162	11	48	19,5	26	43	89003
	801	80104SS	UCFL 208/117	40	117	93	148	11	53	19	26	44	89003
801	80114SS	UCFL 208	40	130	93	162	11	53	19	26	44	89003	

Inserto con ghiera eccentrica / Insert with locking collar / Flanschlager mit Exzenter-Klemmring

Chrome Steel	Part	Article-Nr.	Series	d	I	A	B	C	D	E	F	G	Article-Nr.
	802	80210	UCFL 204	20	90	62	116	11	33,3	16	20	39,9	89004
	802	80200	UCFL 204	20	90	71	130	11	33,3	17,5	22,5	41,4	89001
	802	80221	UCFL 205/90	25	90	85	116	11	38,1	14,5	20	37,9	89005
	802	80201	UCFL 205/90	25	90	71	130	11	38,1	16,8	22,5	40,2	89001
	802	80211	UCFL 205	25	99	71	130	11	38,1	16,8	22,5	40,2	89001
	802	80222	UCFL 206/90	30	90	85	116	11	44,5	14,5	20	42,2	89005
	802	80232	UCFL 206/99	30	99	85	130	11	44,5	20	26	47,7	89002
	802	80202	UCFL 206/99	30	99	85	148	11	44,5	20	26	47,7	89002
	802	80212	UCFL 206	30	117	85	148	11	44,5	20	26	47,7	89002
	802	80203	UCFL 207/117	35	117	93	148	11	55,6	19,5	26	49,9	89003
	802	80213	UCFL 207	35	130	93	162	11	55,6	19,5	26	49,9	89003
	802	80204	UCFL 208/117	40	117	93	148	11	60,3	19	26	53,7	89003
802	80214	UCFL 208	40	130	93	162	11	60,3	19	26	53,7	89003	



**Inserto standard / Standard insert / Standard-Flanschlager**

Chrome Steel	Part	Article-Nr.	Series	d	l	A	B	C	D	E	F	G	Article-Nr.
	822	82205	UCFL 204/76,5	20	76,4	55,9	100	10,2	29	15,5	12	33,5	89007
	822	82210	UCFL 204	20	90	62	116	11	29	16	20	34	89004
	822	82201	UCFL 205/90	25	90	71	130	10,2	34	16,8	22,5	36,3	89001
	822	82211	UCFL 205	25	99	71	130	11	34	16,8	22,5	36,3	89001
	822	82222	UCFL 206/90	30	90	85	116	10,2	40,3	14,5	20	36,5	89005
	822	82212	UCFL 206	30	117	85	148	11	40,3	20	26	42	89002
	822	82203	UCFL 207/117	35	117	93	148	11	48	19,5	26	43	89003
	822	82213	UCFL 207	35	130	93	162	11	48	19,5	26	43	89003
822	82204	UCFL 208/117	40	117	93	148	11	53	19	26	44	89003	



**Safety Cap**

**Inserto standard / Standard insert / Standard-Flanschlager**

Stainless Steel	Part	Article-Nr.	Series	d	l	A	B	C	D	E	F	G	Article-Nr.
	822	82205SS	UCFL 204/76,5	20	76,4	55,9	100	10,2	29	15,5	12	33,5	89007
	822	82210SS	UCFL 204	20	90	62	116	11	29	16	20	34	89004
	822	82201SS	UCFL 205/90	25	90	71	130	10,2	34	16,8	22,5	36,3	89001
	822	82211SS	UCFL 205	25	99	71	130	11	34	16,8	22,5	36,3	89001
	822	82222SS	UCFL 206/90	30	90	85	116	10,2	40,3	14,5	20	36,5	89005
	822	82212SS	UCFL 206	30	117	85	148	11	40,3	20	26	42	89002
	822	82203SS	UCFL 207/117	35	117	93	148	11	48	19,5	26	43	89003
	822	82213SS	UCFL 207	35	130	93	162	11	48	19,5	26	43	89003
822	82204SS	UCFL 208/117	40	117	93	148	11	53	19	26	44	89003	

**Inserto con ghiera eccentrica / Insert with locking collar / Flanschlager mit Exzenter-Klemmring**

Chrome Steel	Part	Article-Nr.	Series	d	l	A	B	C	D	E	F	G	Article-Nr.
	823	82305	UCFL 204/76,5	20	76,4	55,9	100	10,2	33,3	16	12	33,5	89007
	823	82310	UCFL 204	20	90	62	116	11	33,3	16	20	39,9	89004
	823	82301	UCFL 205/90	25	90	71	130	10,2	38,1	16,8	22,5	36,3	89001
	823	82311	UCFL 205	25	99	71	130	11	38,1	16,8	22,5	40,2	89001
	823	82322	UCFL 206/90	30	90	85	116	10,2	44,5	14,4	20	36,5	89005
	823	82312	UCFL 206	30	117	85	148	11	44,5	20	26	47,7	89002
	823	82303	UCFL 207/117	35	117	93	148	11	55,6	19,5	26	43	89003
	823	82313	UCFL 207	35	130	93	162	11	55,6	19,5	26	49,9	89003
823	82304	UCFL 208/117	40	117	93	148	11	60,3	19	26	53,7	89003	



**SOLID HOUSING**

# UCFL



## Componenti

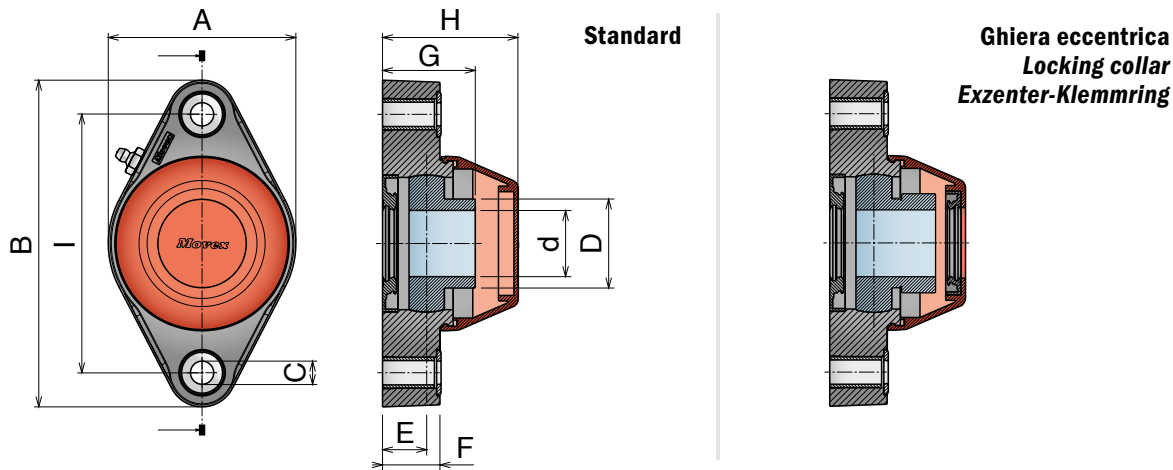
- Sede in poliammide rinforzato, con elevata resistenza meccanica e ottima resistenza contro agenti chimici corrosivi quali acqua, oli, benzina e liquidi contenenti alcool. Tutti i nostri cuscinetti possono essere utilizzati ad una temperatura compresa fra 0°C e +80°C.
- I cuscinetti sono realizzati in acciaio al cromo, disponibili anche, su richiesta, nella versione in acciaio inox. Il cuscinetto all'interno della flangia può essere regolato di 2,5°.
- L'ingrassatore viene realizzato in ferro nichelato, o in acciaio inox nella versione con il cuscinetto in acciaio inox, non disponibile per la versione "Long life" (senza foro).
- Distanziali realizzati in ottone nichelato per rinforzare il foro di fissaggio.
- Rondella in acciaio inox.
- Coperchio di sicurezza in PP.
- Anello di tenuta in gomma NBR.
- O-ring in NBR rubber.

## Components

- *Housing in reinforced polyamide, with higher load capacity and good resistance to corrosive chemicals such as water, oils, petrol and alcoholic beverages. All our bearings can be used at temperatures between 0°C and +80°C.*
- *Ball bearings are made in chrome steel. They are also available, upon request, in stainless steel. Max misalignment between shaft and housing: 2.5°.*
- *Grease nipple are made in nickel plated steel, but they can also be made in stainless steel on the stainless steel bearing, not available for "Long life" version (without hole).*
- *Spacers from nickel plated brass to reinforce fixing holes.*
- *Washer stainless steel.*
- *Clip-on safety cap in PP.*
- *Rotary shaft seal ring in NBR rubber.*
- *O-ring in NBR rubber.*

## Komponenten

- *Gehäuse gefertigt aus verstärktem Polyamid. Dies gewährleistet eine gute Widerstandsfähigkeit gegenüber mechanischen Einflüssen und eine gute Korrosionsbeständigkeit gegenüber Wasser, Ölen, Benzin, Flüssigkeiten mit Alkohol und Chemikalien. Alle unsere Gehäuse-Lagereinheiten können in einem Temperaturbereich von 0°C bis +80°C eingesetzt werden.*
- *Die Lagereinsätze sind aus Chrom-Stahl, auf Anfrage auch in Edelstahl erhältlich. Alle Lager gleichen eine Fluchtungsfehler von bis zu 2,5° selbstständig aus.*
- *Die Schmiernippel sind aus vernickeltem Stahl (aus Edelstahl wenn die Ausführung mit Edelstahl Einsatz gefragt ist), nicht erhältlich für Version "Long life" (ohne Bohrung).*
- *Alle Distanzstücke sind aus vernickeltem Messing und verstärkten die Befestigungsbohrungen.*
- *Alle Unterlegscheiben aus Edelstahl.*
- *Schutzkappe aus PP.*
- *Dichtringe aus NBR-Gummi.*
- *O-Ringe aus NBR-Gummi.*



Inserto standard, con guarnizioni, versione aperta e chiusa / Standard insert, sealed, open and close version / Standard-Flanschlager, abgedichtet, offene und geschlossene Version

	Part	Art-close	Part	Art-open	Series	d	I	A	B	C	D	E	F	G	H
Chrome Steel	803	80310	804	80410	UCFL 204	20	90	62	116	11	29	16	20	34	51,5
	803	80300	804	80400	UCFL 204	20	90	71	130	11	29	17,5	22,5	33,5	52
	803	80321	804	80421	UCFL 205/90	25	90	85	116	11	34	14,5	20	34	55,5
	803	80301	804	80401	UCFL 205/90	25	90	71	130	11	34	16,8	22,5	36,3	52
	803	80311	804	80411	UCFL 205	25	99	71	130	11	34	16,8	22,5	36,3	52
	803	80322	804	80422	UCFL 206/90	30	90	85	116	11	40,3	14,5	20	36,5	55,5
	803	80332	804	80432	UCFL 206/99	30	99	85	130	11	40,3	20	26	42	61,5
	803	80302	804	80402	UCFL 206/99	30	99	85	148	11	40,3	20	26	42	61,5
	803	80312	804	80412	UCFL 206	30	117	85	148	11	40,3	20	26	42	61,5
	803	80303	804	80403	UCFL 207/117	35	117	93	148	11	48	19,5	26	43	66,5
	803	80313	804	80413	UCFL 207	35	130	93	162	11	48	19,5	26	43	66,5
	803	80304	804	80404	UCFL 208/117	40	117	93	148	11	53	19	26	44	66,5
	803	80314	804	80414	UCFL 208	40	130	93	162	11	53	19	26	44	66,5

Inserto standard, con guarnizioni, versione aperta e chiusa / Standard insert, sealed, open and close version / Standard-Flanschlager, abgedichtet, offene und geschlossene Version

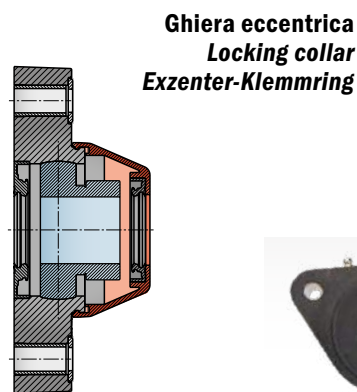
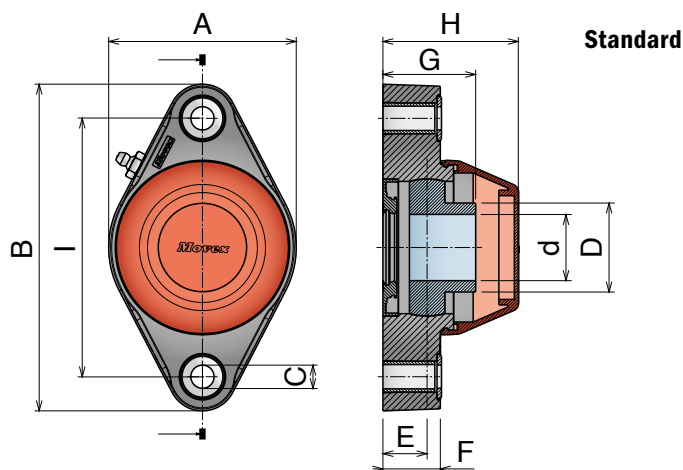
	Part	Art-close	Part	Art-open	Series	d	I	A	B	C	D	E	F	G	H
Stainless Steel	803	80310SS	804	80410SS	UCFL 204	20	90	62	116	11	29	16	20	34	51,5
	803	80300SS	804	80400SS	UCFL 204	20	90	71	130	11	29	17,5	22,5	33,5	52
	803	80321SS	804	80421SS	UCFL 205/90	25	90	85	116	11	34	14,5	20	34	55,5
	803	80301SS	804	80401SS	UCFL 205/90	25	90	71	130	11	34	16,8	22,5	36,3	52
	803	80311SS	804	80411SS	UCFL 205	25	99	71	130	11	34	16,8	22,5	36,3	52
	803	80322SS	804	80422SS	UCFL 206/90	30	90	85	116	11	40,3	14,5	20	36,5	55,5
	803	80332SS	804	80432SS	UCFL 206/99	30	99	85	130	11	40,3	20	26	42	61,5
	803	80302SS	804	80402SS	UCFL 206/99	30	99	85	148	11	40,3	20	26	42	61,5
	803	80312SS	804	80412SS	UCFL 206	30	117	85	148	11	40,3	20	26	42	61,5
	803	80303SS	804	80403SS	UCFL 207/117	35	117	93	148	11	48	19,5	26	43	66,5
	803	80313SS	804	80413SS	UCFL 207	35	130	93	162	11	48	19,5	26	43	66,5
	803	80304SS	804	80404SS	UCFL 208/117	40	117	93	148	11	53	19	26	44	66,5
	803	80314SS	804	80414SS	UCFL 208	40	130	93	162	11	53	19	26	44	66,5

Inserto "long life", con guarnizioni, versione aperta e chiusa / "Long life" insert, sealed, open and close version / "Long Life"-Flanschlager, abgedichtet, offene und geschlossene Version

	Part	Art-close	Part	Art-open	Series	d	I	A	B	C	D	E	F	G	H
Chrome Steel "Long life"	803	80310L	804	80410L	UCFL 204	20	90	62	116	11	29	16	20	34	51,5
	803	80300L	804	80400L	UCFL 204	20	90	71	130	11	29	17,5	22,5	33,5	52
	803	80321L	804	80421L	UCFL 205/90	25	90	85	116	11	34	14,5	20	34	55,5
	803	80301L	804	80401L	UCFL 205/90	25	90	71	130	11	34	16,8	22,5	36,3	52
	803	80311L	804	80411L	UCFL 205	25	99	71	130	11	34	16,8	22,5	36,3	52
	803	80322L	804	80422L	UCFL 206/90	30	90	85	116	11	40,3	14,5	20	36,5	55,5
	803	80332L	804	80432L	UCFL 206/99	30	99	85	130	11	40,3	20	26	42	61,5
	803	80302L	804	80402L	UCFL 206/99	30	99	85	148	11	40,3	20	26	42	61,5
	803	80312L	804	80412L	UCFL 206	30	117	85	148	11	40,3	20	26	42	61,5
	803	80303L	804	80403L	UCFL 207/117	35	117	93	148	11	48	19,5	26	43	66,5
	803	80313L	804	80413L	UCFL 207	35	130	93	162	11	48	19,5	26	43	66,5
	803	80304L	804	80404L	UCFL 208/117	40	117	93	148	11	53	19	26	44	66,5
	803	80314L	804	80414L	UCFL 208	40	130	93	162	11	53	19	26	44	66,5

Inserto con ghiera eccentrica, guarnizioni, versione aperta e chiusa / Insert with locking collar, sealed, open and close version / Flanschlager mit Exzenter-Klemmring, abgedichtet, offene und geschlossene Version

	Part	Art-close	Part	Art-open	Series	d	I	A	B	C	D	E	F	G	H
Chrome Steel	805	80510	806	80610	UCFL 204	20	90	62	116	11	33,3	16	20	39,9	51,5
	805	80500	806	80600	UCFL 204	20	90	71	130	11	33,3	17,5	22,5	41,4	52
	805	80521	806	80621	UCFL 205/90	25	90	85	116	11	38,1	14,5	20	37,9	55,5
	805	80501	806	80601	UCFL 205/90	25	90	71	130	11	38,1	16,8	22,5	40,2	52
	805	80511	806	80611	UCFL 205	25	99	71	130	11	38,1	16,8	22,5	40,2	52
	805	80522	806	80622	UCFL 206/90	30	90	85	116	11	44,5	14,5	20	42,2	55,5
	805	80532	806	80632	UCFL 206/99	30	99	85	130	11	44,5	20	26	47,7	61,5
	805	80502	806	80602	UCFL 206/99	30	99	85	148	11	44,5	20	26	47,7	61,5
	805	80512	806	80612	UCFL 206	30	117	85	148	11	44,5	20	26	47,7	61,5
	805	80503	806	80603	UCFL 207/117	35	117	93	148	11	55,6	19,5	26	49,9	66,5
	805	80513	806	80613	UCFL 207	35	130	93	162	11	55,6	19,5	26	49,9	66,5
	805	80504	806	80604	UCFL 208/117	40	117	93	148	11	60,3	19	26	53,7	66,5
	805	80514	806	80614	UCFL 208	40	130	93	162	11	60,3	19	26	53,7	66,5



**SOLID HOUSING**

Inserto standard, con guarnizioni, versione aperta e chiusa / Standard insert, sealed, open and close version / Standard-Flanschlager, abgedichtet, offene und geschlossene Version

Chrome Steel	Part	Art-close	Part	Art-open	Series	d	l	A	B	C	D	E	F	G	H
	824	82405	825	82505	UCFL 204/76,5	20	76,5	56	100	10,2	29	15,5	12	33,5	49
	824	82410	825	82510	UCFL 204	20	90	62	116	11	29	16	20	34	51,5
	824	82401	825	82501	UCFL 205/90	25	90	71	130	10,2	34	16,8	22,5	36,3	52
	824	82411	825	82511	UCFL 205	25	99	71	130	11	34	16,8	22,5	36,3	52
	824	82422	825	82522	UCFL 206/90	30	90	85	116	10,2	40,3	14,5	20	36,5	55,5
	824	82412	825	82512	UCFL 206	30	117	85	148	11	40,3	20	26	42	61,5
	824	82403	825	82503	UCFL 207/117	35	117	93	148	11	48	19,5	26	43	66,5
	824	82413	825	82513	UCFL 207	35	130	93	162	11	48	19,5	26	43	66,5
	824	82404	825	82504	UCFL 208/117	40	117	93	148	11	53	19	26	44	66,5

Inserto standard, con guarnizioni, versione aperta e chiusa / Standard insert, sealed, open and close version / Standard-Flanschlager, abgedichtet, offene und geschlossene Version

Stainless Steel	Part	Art-close	Part	Art-open	Series	d	l	A	B	C	D	E	F	G	H
	824	82405SS	825	82505SS	UCFL 204/76,5	20	76,5	56	100	10,2	29	15,5	12	26	49
	824	82410SS	825	82510SS	UCFL 204	20	90	62	116	11	29	16	20	34	51,5
	824	82401SS	825	82501SS	UCFL 205/90	25	90	71	130	10,2	34	16,8	22,5	36,3	52
	824	82411SS	825	82511SS	UCFL 205	25	99	71	130	11	34	16,8	22,5	36,3	52
	824	82422SS	825	82522SS	UCFL 206/90	30	90	85	116	10,2	40,3	14,5	20	36,5	55,5
	824	82412SS	825	82512SS	UCFL 206	30	117	85	148	11	40,3	20	26	42	61,5
	824	82403SS	825	82503SS	UCFL 207/117	35	117	93	148	11	48	19,5	26	43	66,5
	824	82413SS	825	82513SS	UCFL 207	35	130	93	162	11	48	19,5	26	43	66,5
	824	82404SS	825	82504SS	UCFL 208/117	40	117	93	148	11	53	19	26	44	66,5

Inserto "long life", con guarnizioni, versione aperta e chiusa / "Long life" insert, sealed, open and close version / "Long Life"-Flanschlager, abgedichtet, offene und geschlossene Version

"Long life"	Part	Art-close	Part	Art-open	Series	d	l	A	B	C	D	E	F	G	H
	824	82405L	825	82505L	UCFL 204/76,5	20	76,5	56	100	10,2	29	15,5	12	26	49
	824	82410L	825	82510L	UCFL 204	20	90	62	116	11	29	16	20	34	51,5
	824	82401L	825	82501L	UCFL 205/90	25	90	71	130	10,2	34	16,8	22,5	36,3	52
	824	82411L	825	82511L	UCFL 205	25	99	71	130	11	34	16,8	22,5	36,3	52
	824	82422L	825	82522L	UCFL 206/90	30	90	85	116	10,2	40,3	14,5	20	36,5	55,5
	824	82412L	825	82512L	UCFL 206	30	117	85	148	11	40,3	20	26	42	61,5
	824	82403L	825	82503L	UCFL 207/117	35	117	93	148	11	48	19,5	26	43	66,5
	824	82413L	825	82513L	UCFL 207	35	130	93	162	11	48	19,5	26	43	66,5
	824	82404L	825	82504L	UCFL 208/117	40	117	93	148	11	53	19	26	44	66,5

Inserto con ghiera eccentrica, guarnizioni, versione aperta e chiusa / Insert with locking collar, sealed, open and close version / Flanschlager mit Exzenter-Klemmring, abgedichtet, offene und geschlossene Version

Chrome Steel	Part	Art-close	Part	Art-open	Series	d	l	A	B	C	D	E	F	G	H
	826	82605	827	82705	UCFL 204/76,5	20	76,5	56	100	10,2	33,3	15,5	12	39,4	49
	826	82610	827	82710	UCFL 204	20	90	62	116	11	33,3	16	20	39,9	51,5
	826	82601	827	82701	UCFL 205/90	25	90	71	130	10,2	38,1	16,8	22,5	40,2	52
	826	82611	827	82711	UCFL 205	25	99	71	130	11	38,1	16,8	22,5	40,2	52
	826	82622	827	82722	UCFL 206/90	30	90	85	116	10,2	44,5	14,5	20	42,2	55,5
	826	82612	827	82712	UCFL 206	30	117	85	148	11	44,5	20	26	47,7	61,5
	826	82603	827	82703	UCFL 207/117	35	117	93	148	11	55,6	19,5	26	49,9	66,5
	826	82613	827	82713	UCFL 207	35	130	93	162	11	55,6	19,5	26	49,9	66,5
	826	82604	827	82704	UCFL 208/117	40	117	93	148	11	60,3	19	26	53,7	66,5

## UCF

Delivery: **Easy** Standard

### Componenti

- Sede in poliammide rinforzato, con elevata resistenza meccanica e ottima resistenza contro agenti chimici corrosivi quali acqua, oli, benzina e liquidi contenenti alcool. Tutti i nostri cuscinetti possono essere utilizzati ad una temperatura compresa fra 0°C e +80°C.
- I cuscinetti sono realizzati in acciaio al cromo, disponibili anche, su richiesta, nella versione in acciaio inox. Il cuscinetto all'interno della flangia può essere regolato di 2,5°.
- L'ingrassatore viene realizzato in ferro nichelato, o in acciaio inox nella versione con il cuscinetto in acciaio inox.
- Distanziali realizzati in ottone nichelato per rinforzare il foro di fissaggio.
- Rondella in acciaio inox.

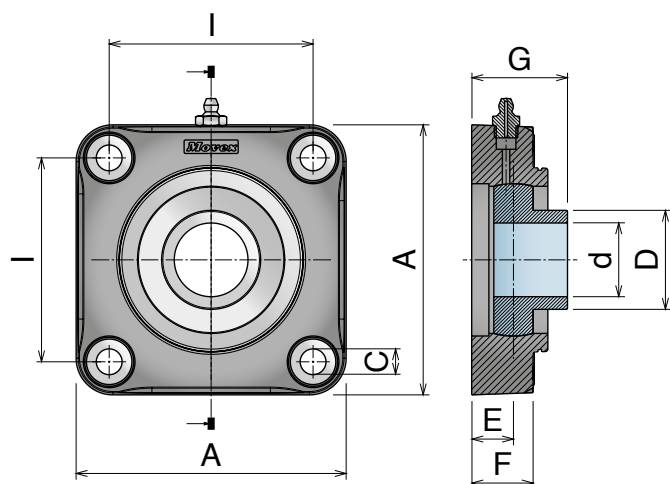
### Components

- *Housing in reinforced polyamide, with higher load capacity and good resistance to corrosive chemicals such as water, oils, petrol and alcoholic beverages. All our bearings can be used at temperatures between 0°C and +80°C.*
- *Ball bearings are made in chrome steel. They are also available, upon request, in stainless steel. Max misalignment between shaft and housing: 2.5°.*
- *Grease nipple are made in nickel plated steel, but they can also be made in stainless steel on the stainless steel bearing.*
- *Spacers from nickel plated brass to reinforce fixing holes.*
- *Washer stainless steel.*

### Komponenten

- *Gehäuse gefertigt aus verstärktem Polyamid. Dies gewährleistet eine gute Widerstandsfähigkeit gegenüber mechanischen Einflüssen und eine gute Korrosionsbeständigkeit gegenüber Wasser, Ölen, Benzin, Flüssigkeiten mit Alkohol und Chemikalien. Alle unsere Gehäuse-Lagereinheiten können in einem Temperaturbereich von 0°C bis +80°C eingesetzt werden.*
- *Die Lagereinsätze sind aus Chrom-Stahl, auf Anfrage auch in Edelstahl erhältlich. Alle Lager gleichen einen Fluchtungsfehler von bis zu 2,5° selbstständig aus.*
- *Die Schmiernippel sind aus vernickeltem Stahl (aus Edelstahl wenn die Ausführung mit Edelstahl Einsatz gefragt ist).*
- *Alle Distanzstücke sind aus vernickeltem Messing und verstärken die Befestigungsbohrungen.*
- *Alle Unterlegscheiben aus Edelstahl.*





**Inserto standard / Standard insert / Standard-Flanschlager**

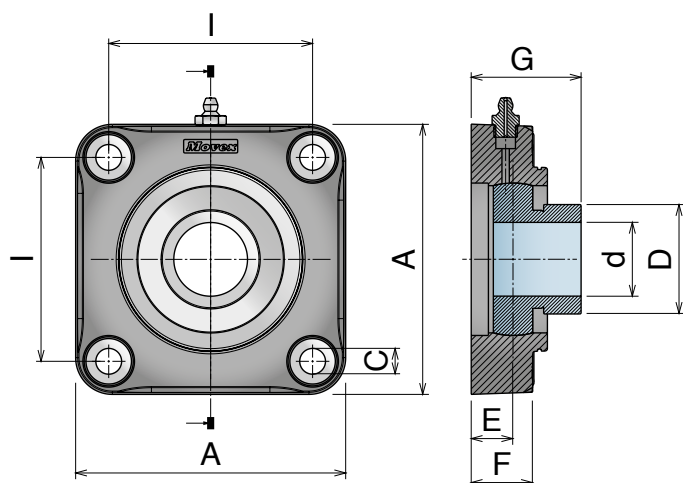
Chrome Steel	Part	Article-Nr.	Series	d	I	A	C	D	E	F	G	Article-Nr.
	807	80701	UCF 205	25	70	98	11	34	16	22	35,5	89001
	807	80702	UCF 206	30	83	110	11	40,3	17	25	39	89002
	807	80703	UCF 207/83	35	83	110	11	48	20	25	43,5	89003
	807	80713	UCF 207	35	92	118	11	48	20	25	43,5	89003
	807	80704	UCF 208/83	40	83	110	11	53	19,5	25	44,5	89003
	807	80714	UCF 208	40	102	130	11	53	19	25	44	89003



**Safety Cap**

**Inserto standard / Standard insert / Standard-Flanschlager**

Stainless Steel	Part	Article-Nr.	Series	d	I	A	C	D	E	F	G	Article-Nr.
	807	80701SS	UCF 205	25	70	98	11	34	16	22	35,5	89001
	807	80702SS	UCF 206	30	83	110	11	40,3	17	25	39	89002
	807	80703SS	UCF 207/83	35	83	110	11	48	20	25	43,5	89003
	807	80713SS	UCF 207	35	92	118	11	48	20	25	43,5	89003
	807	80704SS	UCF 208/83	40	83	110	11	53	19,5	25	44,5	89003
	807	80714SS	UCF 208	40	102	130	11	53	19	25	44	89003

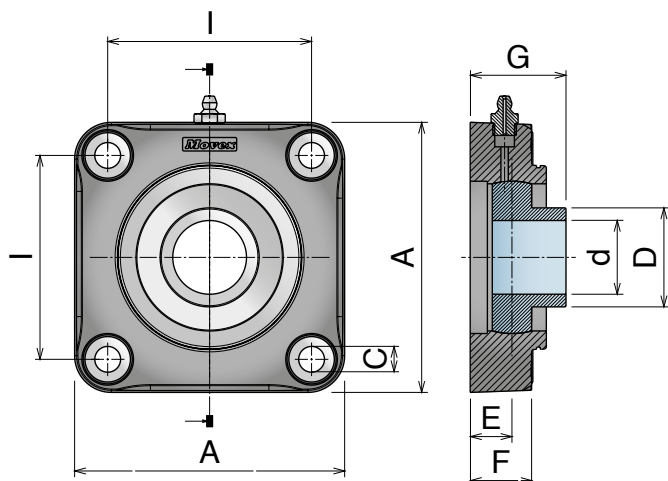


**Inserto con ghiera eccentrica / Insert with locking collar / Flanschlager mit Exzenter-Klemmring**

Chrome Steel	Part	Article-Nr.	Series	d	I	A	C	D	E	F	G	Article-Nr.
	808	80801	UCF 205	25	70	98	11	38,1	16	22	39,4	89001
	808	80802	UCF 206	30	83	110	11	44,5	17	25	44,7	89002
	808	80803	UCF 207/83	35	83	110	11	55,6	20	25	50,4	89003
	808	80813	UCF 207	35	92	118	11	55,6	20	25	50,4	89003
	808	80804	UCF 208/83	40	83	110	11	60,3	19,5	25	54,2	89003
	808	80814	UCF 208	40	102	130	11	60,3	19	25	53,7	89003



**Safety Cap**



**SOLID HOUSING**



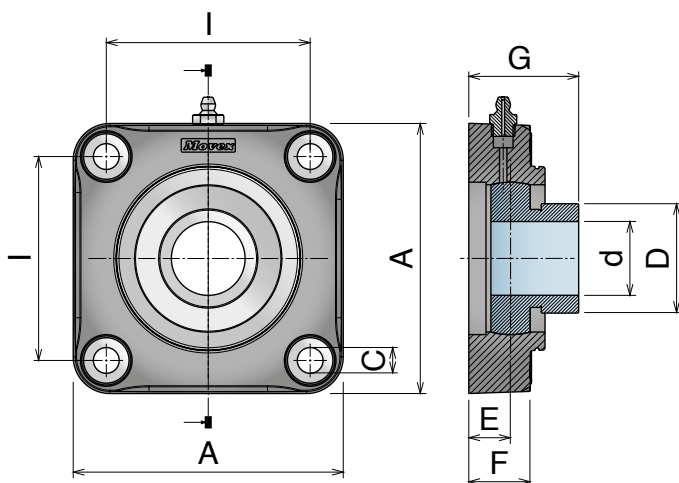
**Safety Cap**

**Inserto standard / Standard insert / Standard-Flanschlager**

Chrome Steel	Part	Article-Nr.	Series	d	I	A	C	D	E	F	G	Article-Nr.
	828	82801	UCF 205	25	70	98	11	34	16	22	35,5	89001
	828	82802	UCF 206	30	83	110	11	40,3	17	25	39	89002
	828	82813	UCF 207	35	92	118	11	48	20	25	43,5	89003
	828	82804	UCF 208/83	40	83	110	11	53	19,5	25	44,5	89003

**Inserto standard / Standard insert / Standard-Flanschlager**

Stainless Steel	Part	Article-Nr.	Series	d	I	A	C	D	E	F	G	Article-Nr.
	828	82801SS	UCF 205	25	70	98	11	34	16	22	35,5	89001
	828	82802SS	UCF 206	30	83	110	11	40,3	17	25	39	89002
	828	82813SS	UCF 207	35	92	118	11	48	20	25	43,5	89003
	828	82804SS	UCF 208/83	40	83	110	11	53	19,5	25	44,5	89003



**Safety Cap**

**Inserto con ghiera eccentrica / Insert with locking collar / Flanschlager mit Exzenter-Klemmring**

Chrome Steel	Part	Article-Nr.	Series	d	I	A	C	D	E	F	G	Article-Nr.
	829	82901	UCF 205	25	70	98	11	38,1	16	22	39,4	89001
	829	82902	UCF 206	30	83	110	11	44,5	17	25	44,7	89002
	829	82913	UCF 207	35	92	118	11	55,6	20	25	50,4	89003
	829	82904	UCF 208/83	40	83	110	11	60,3	19,5	25	54,2	89003

## UCF

Delivery: **Easy** Standard**Componenti**

• Sede in poliammide rinforzato, con elevata resistenza meccanica e ottima resistenza contro agenti chimici corrosivi quali acqua, oli, benzina e liquidi contenenti alcool. Tutti i nostri cuscinetti possono essere utilizzati ad una temperatura compresa fra 0°C e +80°C.

• I cuscinetti sono realizzati in acciaio al cromo, disponibili anche, su richiesta, nella versione in acciaio inox.

Il cuscinetto all'interno della flangia può essere regolato di 2,5°.

• L'ingrassatore viene realizzato in ferro nichelato, o in acciaio inox nella versione con il cuscinetto in acciaio inox, non disponibile per la versione "Long life" (senza foro).

• Distanziali realizzati in ottone nichelato per rinforzare il foro di fissaggio.

• Rondella in acciaio inox.

• Coperchio di sicurezza in PP.

• Anello di tenuta in gomma NBR.

• O-ring in NBR rubber.

**Components**

• Housing in reinforced polyamide, with higher load capacity and good resistance to corrosive chemicals such as water, oils, petrol and alcoholic beverages.

All our bearings can be used at temperatures between 0°C and +80°C.

• Ball bearings are made in chrome steel. They are also available, upon request, in stainless steel. Max misalignment between shaft and housing: 2.5°.

• Grease nipple are made in nickel plated steel, but they can also be made in stainless steel on the stainless steel bearing, not available for "Long life" version (without hole).

• Spacers from nickel plated brass to reinforce fixing holes.

• Washer stainless steel.

• Clip-on safety cap in PP.

• Rotary shaft seal ring in NBR rubber.

• O-ring in NBR rubber.

**Komponenten**

• Gehäuse gefertigt aus verstärktem Polyamid. Dies gewährleistet eine gute Widerstandsfähigkeit gegenüber mechanischen Einflüssen und eine gute Korrosionsbeständigkeit gegenüber Wasser, Ölen, Benzin, Flüssigkeiten mit Alkohol und Chemikalien. Alle unsere Gehäuse-Lagereinheiten können in einem Temperaturbereich von 0°C bis +80°C eingesetzt werden.

• Die Lagereinsätze sind aus Chrom-Stahl, auf Anfrage auch in Edelstahl erhältlich. Alle Lager gleichen eine Fluchtungsfehler von bis zu 2,5° selbstständig aus.

• Die Schmiernippel sind aus vernickeltem Stahl (aus Edelstahl wenn die Ausführung mit Edelstahl Einsatz gefragt ist), nicht erhältlich für Version "Long life" (ohne Bohrung).

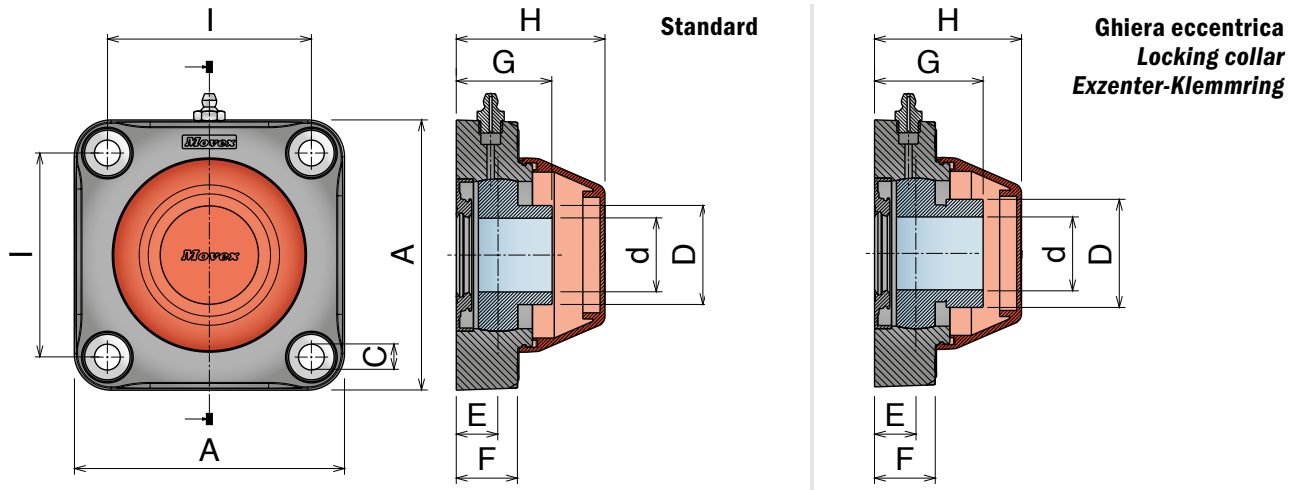
• Alle Distanzstücke sind aus vernickeltem Messing und verstärken die Befestigungsbohrungen.

• Alle Unterlegscheiben aus Edelstahl.

• Schutzkappe aus PP.

• Dichtringe aus NBR-Gummi.

• O-Ringe aus NBR-Gummi.



**Inserto standard, con guarnizioni, versione aperta e chiusa**

*Standard insert, sealed, open and close version/Standard-Flanschlager, abgedichtet, offene und geschlossene Version*

Chrome Steel	Part	Art-close	Part	Art-open	Series	d	I	A	C	D	E	F	G	H
	809	80901	810	81001	UCF 205	25	70	98	11	34	16	22	35,5	51,5
809	80902	810	81002	UCF 206	30	83	110	11	40,3	17	25	39	60,5	
809	80903	810	81003	UCF 207/83	35	83	110	11	48	20	25	43,5	65,5	
809	80913	810	81013	UCF 207	35	92	118	11	48	20	25	43,5	65,5	
809	80904	810	81004	UCF 208/83	40	83	110	11	53	19,5	25	44,5	65,5	
809	80914	810	81014	UCF 208	40	102	130	11	53	19	25	44	65,5	

**Inserto standard, con guarnizioni, versione aperta e chiusa**

*Standard insert, sealed, open and close version/Standard-Flanschlager, abgedichtet, offene und geschlossene Version*

Stainless Steel	Part	Art-close	Part	Art-open	Series	d	I	A	C	D	E	F	G	H
	809	80901SS	810	81001SS	UCF 205	25	70	98	11	34	16	22	35,5	51,5
809	80902SS	810	81002SS	UCF 206	30	83	110	11	40,3	17	25	39	60,5	
809	80903SS	810	81003SS	UCF 207/83	35	83	110	11	48	20	25	43,5	65,5	
809	80913SS	810	81013SS	UCF 207	35	92	118	11	48	20	25	43,5	65,5	
809	80904SS	810	81004SS	UCF 208/83	40	83	110	11	53	19,5	25	44,5	65,5	
809	80914SS	810	81014SS	UCF 208	40	102	130	11	53	19	25	44	65,5	

**Inserto "Long life", con guarnizioni, versione aperta e chiusa**

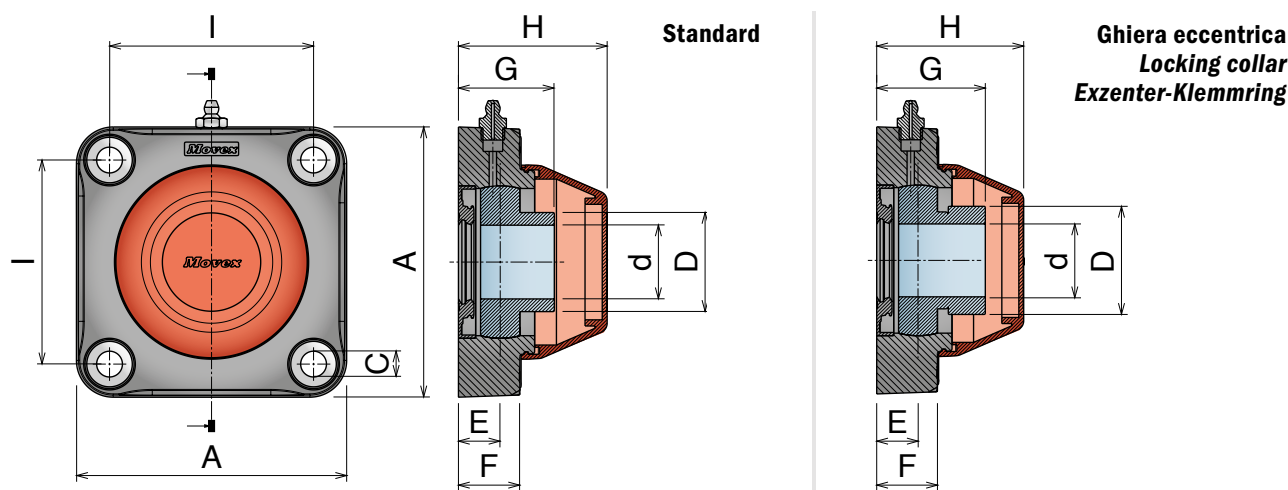
*"Long life" insert, sealed, open and close version/"Long life"-Flanschlager, abgedichtet, offene und geschlossene Version*

"Long life"	Part	Art-close	Part	Art-open	Series	d	I	A	C	D	E	F	G	H
	809	80901L	810	81001L	UCF 205	25	70	98	11	34	16	22	35,5	51,5
809	80902L	810	81002L	UCF 206	30	83	110	11	40,3	17	25	39	60,5	
809	80903L	810	81003L	UCF 207/83	35	83	110	11	48	20	25	43,5	65,5	
809	80913L	810	81013L	UCF 207	35	92	118	11	48	20	25	43,5	65,5	
809	80904L	810	81004L	UCF 208/83	40	83	110	11	53	19,5	25	44,5	65,5	
809	80914L	810	81014L	UCF 208	40	102	130	11	53	19	25	44	65,5	

**Inserto con ghiera eccentrica, guarnizioni, versione aperta e chiusa**

*Insert with locking collar, sealed, open and close version/Flanschlager mit Exzenter-Klemmring, abgedichtet, offene und geschlossene Version*

Chrome Steel	Part	Art-close	Part	Art-open	Series	d	I	A	C	D	E	F	G	H
	811	81101	812	81201	UCF 205	25	70	98	11	38,1	16	22	39,4	51,5
811	81102	812	81202	UCF 206	30	83	110	11	44,5	17	25	44,7	60,5	
811	81103	812	81203	UCF 207/83	35	83	110	11	55,6	20	25	50,4	65,5	
811	81113	812	81213	UCF 207	35	92	118	11	55,6	20	25	50,4	65,5	
811	81104	812	81204	UCF 208/83	40	83	110	11	60,3	19,5	25	54,2	65,5	
811	81114	812	81214	UCF 208	40	102	130	11	60,3	19	25	53,7	65,5	



### Inserto standard, con guarnizioni, versione aperta e chiusa

Standard insert, sealed, open and close version/Standard-Flanschlager, abgedichtet, offene und geschlossene Version

Chrome Steel	Part	Art-close	Part	Art-open	Series	d	I	A	C	D	E	F	G	H
	830	83001	831	83101	UCF 205	25	70	98	11	34	16	22	35,5	51,5
	830	83002	831	83102	UCF 206	30	83	110	11	40,3	17	25	39	60,5
	830	83013	831	83113	UCF 207	35	92	118	11	48	20	25	43,5	65,5
	830	83004	831	83104	UCF 208/83	40	83	110	11	53	19,5	25	44,5	65,5

### Inserto standard, con guarnizioni, versione aperta e chiusa

Standard insert, sealed, open and close version/Standard-Flanschlager, abgedichtet, offene und geschlossene Version

Stainless Steel	Part	Art-close	Part	Art-open	Series	d	I	A	C	D	E	F	G	H
	830	83001SS	831	83101SS	UCF 205	25	70	98	11	34	16	22	35,5	51,5
	830	83002SS	831	83102SS	UCF 206	30	83	110	11	40,3	17	25	39	60,5
	830	83013SS	831	83113SS	UCF 207	35	92	118	11	48	20	25	43,5	65,5
	830	83004SS	831	83104SS	UCF 208/83	40	83	110	11	53	19,5	25	44,5	65,5

### Inserto "Long life", con guarnizioni, versione aperta e chiusa

"Long life" insert, sealed, open and close version/"Long life"-Flanschlager, abgedichtet, offene und geschlossene Version

"Long life"	Part	Art-close	Part	Art-open	Series	d	I	A	C	D	E	F	G	H
	830	83001L	831	83101L	UCF 205	25	70	98	11	34	16	22	35,5	51,5
	830	83002L	831	83102L	UCF 206	30	83	110	11	40,3	17	25	39	60,5
	830	83013L	831	83113L	UCF 207	35	92	118	11	48	20	25	43,5	65,5
	830	83004L	831	83104L	UCF 208/83	40	83	110	11	53	19,5	25	44,5	65,5

### Inserto con ghiera eccentrica, guarnizioni, versione aperta e chiusa

Insert with locking collar, sealed, open and close version/Flanschlager mit Exzenter-Klemmring, abgedichtet, offene und geschlossene Version

Chrome Steel	Part	Art-close	Part	Art-open	Series	d	I	A	C	D	E	F	G	H
	832	83201	833	83301	UCF 205	25	70	98	11	38,1	16	22	39,4	51,5
	832	83202	833	83302	UCF 206	30	83	110	11	44,5	17	25	44,7	60,5
	832	83213	833	83313	UCF 207	35	92	118	11	55,6	20	25	50,4	65,5
	832	83204	833	83304	UCF 208/83	40	83	110	11	60,3	19,5	25	54,2	65,5



SOLID HOUSING

## UCFA

SOLID HOUSING

Delivery: **Easy** Standard

### Componenti

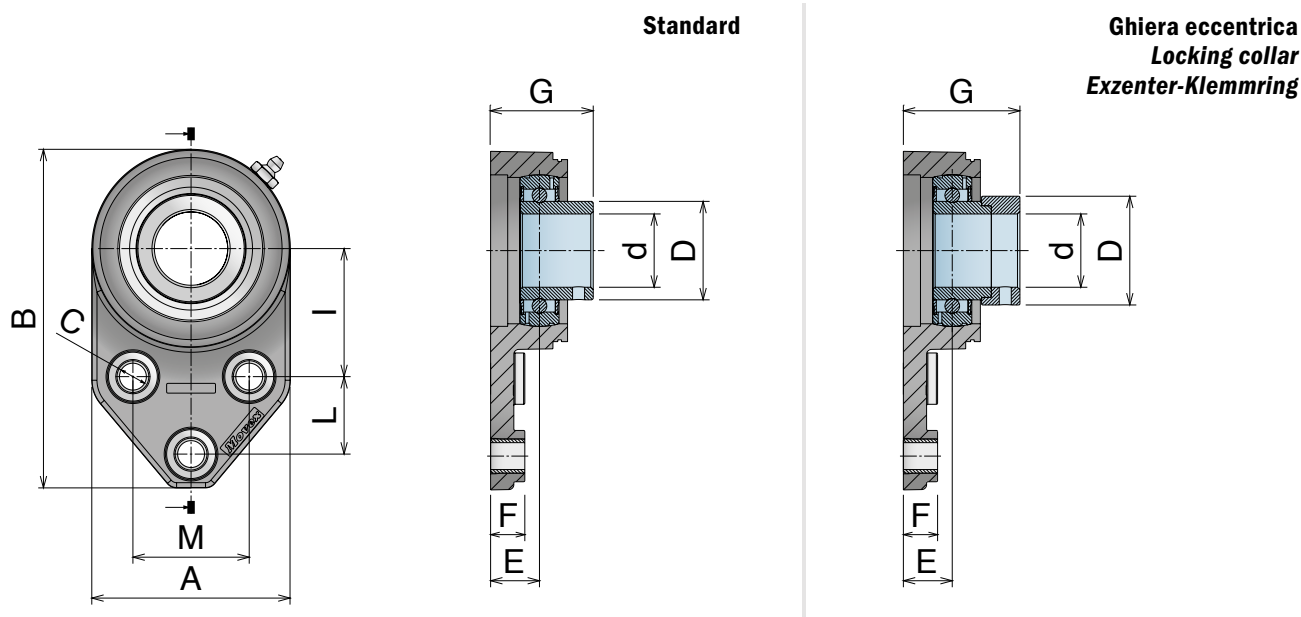
- Sede in poliammide rinforzato, con elevata resistenza meccanica e ottima resistenza contro agenti chimici corrosivi quali acqua, oli, benzina e liquidi contenenti alcool. Tutti i nostri cuscinetti possono essere utilizzati ad una temperatura compresa fra 0°C e +80°C.
- I cuscinetti sono realizzati in acciaio al cromo, disponibili anche, su richiesta, nella versione in acciaio inox. Il cuscinetto all'interno della flangia può essere regolato di 2,5°.
- L'ingrassatore viene realizzato in ferro nichelato, o in acciaio inox nella versione con il cuscinetto in acciaio inox.
- Distanziali realizzati in ottone nichelato per rinforzare il foro di fissaggio.
- Rondella in acciaio inox.

### Components

- *Housing in reinforced polyamide, with higher load capacity and good resistance to corrosive chemicals such as water, oils, petrol and alcoholic beverages. All our bearings can be used at temperatures between 0°C and +80°C.*
- *Ball bearings are made in chrome steel. They are also available, upon request, in stainless steel. Max misalignment between shaft and housing: 2.5°.*
- *Grease nipple are made in nickel plated steel, but they can also be made in stainless steel on the stainless steel bearing.*
- *Spacers from nickel plated brass to reinforce fixing holes.*
- *Washer stainless steel.*

### Komponenten

- *Gehäuse gefertigt aus verstärktem Polyamid. Dies gewährleistet eine gute Widerstandsfähigkeit gegenüber mechanischen Einflüssen und eine gute Korrosionsbeständigkeit gegenüber Wasser, Ölen, Benzin, Flüssigkeiten mit Alkohol und Chemikalien. Alle unsere Gehäuse-Lagereinheiten können in einem Temperaturbereich von 0°C bis +80°C eingesetzt werden.*
- *Die Lagereinsätze sind aus Chrom-Stahl, auf Anfrage auch in Edelstahl erhältlich. Alle Lager gleichen einen Fluchtungsfehler von bis zu 2,5° selbstständig aus.*
- *Die Schmiernippel sind aus vernickeltem Stahl (aus Edelstahl wenn die Ausführung mit Edelstahl Einsatz gefragt ist).*
- *Alle Distanzstücke sind aus vernickeltem Messing und verstärken die Befestigungsbohrungen.*
- *Alle Unterlegscheiben aus Edelstahl.*



**Inserto standard / Standard insert / Standard-Flanschlager**

Material	Part	Article-Nr.	Series	d	l	A	C	D	L	M	B	E	F	G	Article-Nr.
	Chrome Steel	834	83400	UCFA 204	20	46	68,8	11	29	28,6	41,3	124,2	16,4	14	34,4
834		83401	UCFA 205	25	46	68,8	11	34	28,6	41,3	124,2	17,8	14	37,3	89001
834		83402	UCFA 206	30	52,4	81,3	11	40,3	31,7	47,6	138,6	20	14	42	89002



**Safety Cap**

**Inserto standard / Standard insert / Standard-Flanschlager**

Material	Part	Article-Nr.	Series	d	l	A	C	D	L	M	B	E	F	G	Article-Nr.
	Stainless Steel	834	83400SS	UCFA 204	20	46	68,8	11	29	28,6	41,3	124,2	16,4	14	34,4
834		83401SS	UCFA 205	25	46	68,8	11	34	28,6	41,3	124,2	17,8	14	37,3	89001
834		83402SS	UCFA 206	30	52,4	81,3	11	40,3	31,7	47,6	138,6	20	14	42	89002

**Inserto con ghiera eccentrica / Insert with locking collar / Flanschlager mit Exzenter-Klemmring**

Material	Part	Article-Nr.	Series	d	l	A	C	D	L	M	B	E	F	G	Article-Nr.
	Chrome Steel	835	83500	UCFA 204	20	46	68,8	11	33,3	28,6	41,3	124,2	16,4	14	40,3
835		83501	UCFA 205	25	46	68,8	11	38,1	28,6	41,3	124,2	17,8	14	41,2	89001
835		83502	UCFA 206	30	52,4	81,3	11	44,5	31,7	47,6	138,6	20	14	47,7	89002

## UCFA

SOLID HOUSING

Delivery: **Easy** Standard

## Componenti

- Sede in poliammide rinforzato, con elevata resistenza meccanica e ottima resistenza contro agenti chimici corrosivi quali acqua, oli, benzina e liquidi contenenti alcool. Tutti i nostri cuscinetti possono essere utilizzati ad una temperatura compresa fra 0°C e +80°C.
- I cuscinetti sono realizzati in acciaio al cromo, disponibili anche, su richiesta, nella versione in acciaio inox. Il cuscinetto all'interno della flangia può essere regolato di 2,5°.
- L'ingrassatore viene realizzato in ferro nichelato, o in acciaio inox nella versione con il cuscinetto in acciaio inox, non disponibile per la versione "Long life" (senza foro).
- Distanziali realizzati in ottone nichelato per rinforzare il foro di fissaggio.
- Rondella in acciaio inox.
- Coperchio di sicurezza in PP.
- Anello di tenuta in gomma NBR.
- O-ring in NBR rubber.

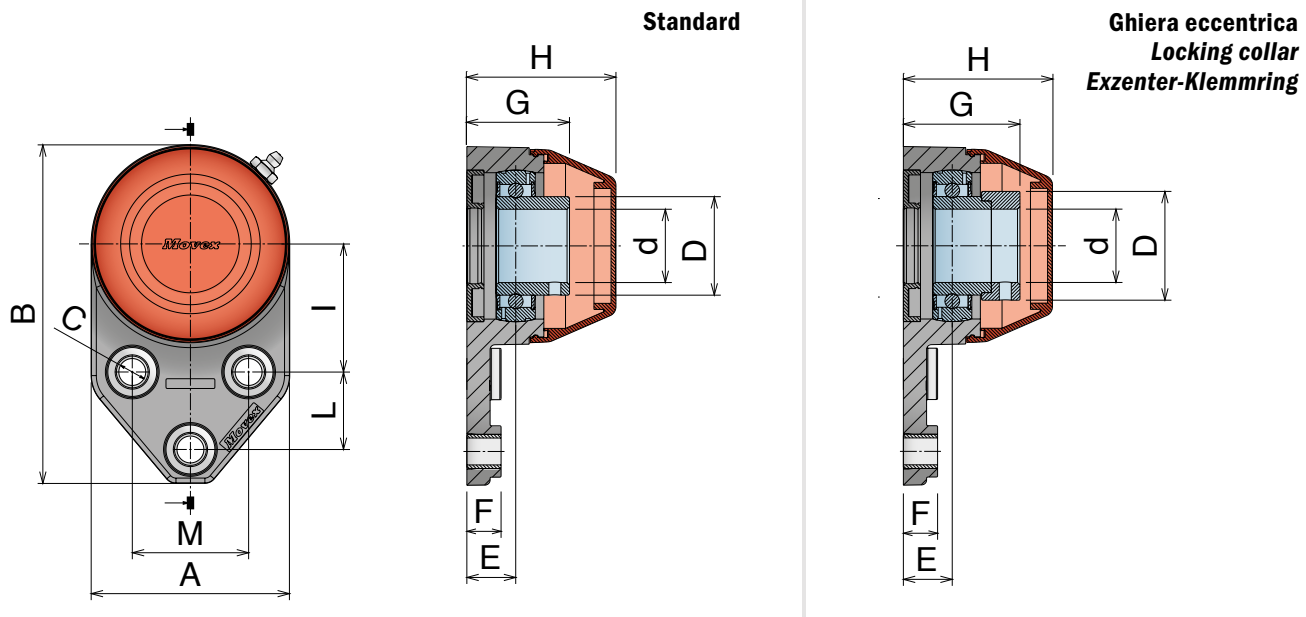
## Components

- Housing in reinforced polyamide, with higher load capacity and good resistance to corrosive chemicals such as water, oils, petrol and alcoholic beverages. All our bearings can be used at temperatures between 0°C and +80°C.
- Ball bearings are made in chrome steel. They are also available, upon request, in stainless steel. Max misalignment between shaft and housing: 2.5°.
- Grease nipple are made in nickel plated steel, but they can also be made in stainless steel on the stainless steel bearing, not available for "Long life" version (without hole).
- Washer stainless steel.
- Clip-on safety cap in PP.
- Rotary shaft seal ring in NBR rubber.
- O-ring in NBR rubber.

## Komponenten

- Gehäuse gefertigt aus verstärktem Polyamid. Dies gewährleistet eine gute Widerstandsfähigkeit gegenüber mechanischen Einflüssen und eine gute Korrosionsbeständigkeit gegenüber Wasser, Ölen, Benzin, Flüssigkeiten mit Alkohol und Chemikalien. Alle unsere Gehäuse-Lagereinheiten können in einem Temperaturbereich von 0°C bis +80°C eingesetzt werden.
- Die Lagereinsätze sind aus Chrom-Stahl, auf Anfrage auch in Edelstahl erhältlich. Alle Lager gleichen eine Fluchtungsfehler von bis zu 2,5° selbstständig aus.
- Die Schmiernippel sind aus vernickeltem Stahl (aus Edelstahl wenn die Ausführung mit Edelstahl Einsatz gefragt ist), nicht erhältlich für Version "Long life" (ohne Bohrung).
- Alle Distanzstücke sind aus vernickeltem Messing und verstärkten die Befestigungsbohrungen.
- Alle Unterlegscheiben aus Edelstahl.
- Schutzkappe aus PP
- Dichtringe aus NBR-Gummi
- O-Ringe aus NBR-Gummi





**Inserto standard, con guarnizioni, versione aperta e chiusa**

*Standard insert, sealed, open and close version/Standard-Flanschlager, abgedichtet, offene und geschlossene Version*

Chrome Steel	Part	Art-close	Part	Art-open	Series	d	I	A	C	D	L	M	B	E	F	G	H
	836	83600	837	83700	UCF 204	20	46	68,8	11	29	28,6	41,3	124,2	16,4	14	34,4	51,8
836	83601	837	83701	UCF 205	25	46	68,8	11	34	28,6	41,3	124,2	17,8	14	37,3	51,8	
836	83602	837	83702	UCF 206	30	52,4	81,3	11	40,3	31,7	47,6	138,6	20	14	42	61	

**Inserto standard, con guarnizioni, versione aperta e chiusa**

*Standard insert, sealed, open and close version/Standard-Flanschlager, abgedichtet, offene und geschlossene Version*

Stainless Steel	Part	Art-close	Part	Art-open	Series	d	I	A	C	D	L	M	B	E	F	G	H
	836	83600SS	837	83700SS	UCF 204	20	46	68,8	11	29	28,6	41,3	124,2	16,4	14	34,4	51,8
836	83601SS	837	83701SS	UCF 205	25	46	68,8	11	34	28,6	41,3	124,2	17,8	14	37,3	51,8	
836	83602SS	837	83702SS	UCF 206	30	52,4	81,3	11	40,3	31,7	47,6	138,6	20	14	42	61	

**Inserto "Long life", con guarnizioni, versione aperta e chiusa**

*"Long life" insert, sealed, open and close version/"Long life"-Flanschlager, abgedichtet, offene und geschlossene Version*

"Long life"	Part	Art-close	Part	Art-open	Series	d	I	A	C	D	L	M	B	E	F	G	H
	836	83600L	837	83700L	UCF 204	20	46	68,8	11	29	28,6	41,3	124,2	16,4	14	34,4	51,8
836	83601L	837	83701L	UCF 205	25	46	68,8	11	34	28,6	41,3	124,2	17,8	14	37,3	51,8	
836	83602L	837	83702L	UCF 206	30	52,4	81,3	11	40,3	31,7	47,6	138,6	20	14	42	61	

**Inserto con ghiera eccentrica, guarnizioni, versione aperta e chiusa**

*Insert with locking collar, sealed, open and close version/Flanschlager mit Exzenter-Klemmring, abgedichtet, offene und geschlossene Version*

Chrome Steel	Part	Art-close	Part	Art-open	Series	d	I	A	C	D	L	M	B	E	F	G	H
	838	83800	839	83900	UCF 204	20	46	68,8	11	33,3	28,6	41,3	124,2	16,4	14	40,3	51,8
838	83801	839	83901	UCF 205	25	46	68,8	11	38,1	28,6	41,3	124,2	17,8	14	41,2	51,8	
838	83802	839	83902	UCF 206	30	52,4	81,3	11	44,5	31,7	47,6	138,6	20	14	47,7	61	

## UCFL-H/UCF-H

COVER IN STAINLESS STEEL

Delivery: **Easy** Standard



### Componenti

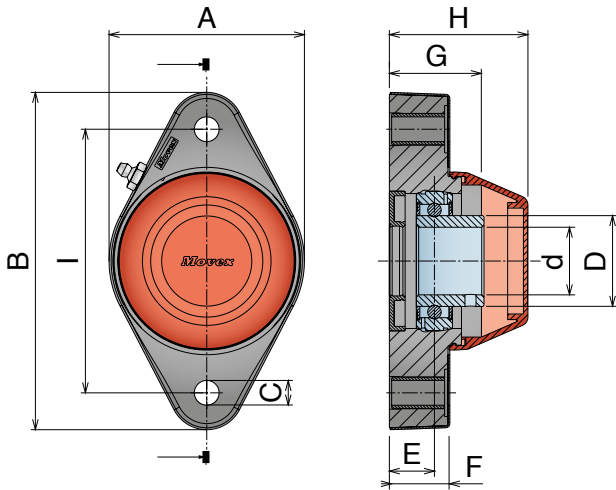
- Sede in poliammide rinforzato, con elevata resistenza meccanica e ottima resistenza contro agenti chimici corrosivi quali acqua, oli, benzina e liquidi contenenti alcool. Tutti i nostri cuscinetti possono essere utilizzati ad una temperatura compresa fra 0°C e +80°C.
- I cuscinetti sono realizzati in acciaio al cromo, disponibili anche, su richiesta, nella versione in acciaio inox. Il cuscinetto all'interno della flangia può essere regolato di 2,5°.
- L'ingrassatore viene realizzato in ferro nichelato, o in acciaio inox nella versione con il cuscinetto in acciaio inox, non disponibile per la versione "Long life" (senza foro).
- Distanziali realizzati in ottone nichelato per rinforzare il foro di fissaggio.
- Rondella in acciaio inox.
- Coperchio di sicurezza in PP.
- "Cover" in acciaio inox.

### Components

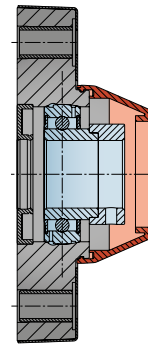
- Housing in reinforced polyamide, with higher load capacity and good resistance to corrosive chemicals such as water, oils, petrol and alcoholic beverages. All our bearings can be used at temperatures between 0°C and +80°C.
- Ball bearings are made in chrome steel. They are also available, upon request, in stainless steel. Max misalignment between shaft and housing: 2.5°.
- Grease nipple are made in nickel plated steel, but they can also be made in stainless steel on the stainless steel bearing, not available for "Long life" version (without hole).
- Spacers from nickel plated brass to reinforce fixing holes.
- Washer stainless steel.
- "Cover" in stainless steel

### Komponenten

- Gehäuse gefertigt aus verstärktem Polyamid. Dies gewährleistet eine gute Widerstandsfähigkeit gegenüber mechanischen Einflüssen und eine gute Korrosionsbeständigkeit gegenüber Wasser, Ölen, Benzin, Flüssigkeiten mit Alkohol und Chemikalien. Alle unsere Gehäuse-Lagereinheiten können in einem Temperaturbereich von 0°C bis +80°C eingesetzt werden.
- Die Lagereinsätze sind aus Chrom-Stahl, auf Anfrage auch in Edelstahl erhältlich. Alle Lager gleichen eine Fluchtungsfehler von bis zu 2,5° selbstständig aus.
- Die Schmiernippel sind aus vernickeltem Stahl (aus Edelstahl wenn die Ausführung mit Edelstahl Einsatz gefragt ist), nicht erhältlich für Version "Long life" (ohne Bohrung).
- Alle Distanzstücke sind aus vernickeltem Messing und verstärkten die Befestigungsbohrungen.
- Alle Unterlegscheiben aus Edelstahl.
- Gehäuseabdeckung aus Edelstahl.



Standard



Ghiera eccentrica  
Locking collar  
Exzenter-Klemmring



SOLID HOUSING

Inserto standard, con guarnizioni, versione aperta e chiusa / Standard insert, sealed, open and close version / Standard-Flanschlager, abgedichtet, offene und geschlossene Version

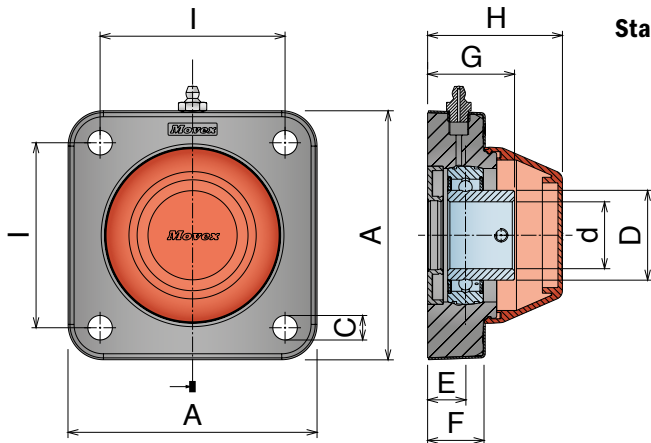
Chrome Steel	Part	Art-close	Part	Art-open	Series	d	I	A	B	C	D	E	F	G	H
	824	82412H	825	82512H	UCFL-H 206	30	117	86,7	149,7	11	40,3	20	26,85	42	61,5
824	82403H	825	82503H	UCFL-H 207/117	35	117	94,7	149,7	11	48	19,5	26	43	66,5	
824	82404H	825	82504H	UCFL-H 208/117	40	117	94,7	149,7	11	53	19	26,85	44	67	

Inserto "long life", con guarnizioni, versione aperta e chiusa / "Long life" insert, sealed, open and close version / "Long Life"-Flanschlager, abgedichtet, offene und geschlossene Version

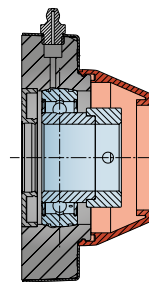
"Long life"	Part	Art-close	Part	Art-open	Series	d	I	A	B	C	D	E	F	G	H
	824	82412LH	825	82512LH	UCFL-H 206	30	117	86,7	149,7	11	40,3	20	26,85	42	61,5
824	82403LH	825	82503LH	UCFL-H 207/117	35	117	94,7	149,7	11	48	19,5	26	43	66,5	
824	82404LH	825	82504LH	UCFL-H 208/117	40	117	94,7	149,7	11	53	19	26,85	44	67	

Inserto con ghiera eccentrica, guarnizioni, versione aperta e chiusa / Insert with locking collar, sealed, open and close version / Flanschlager mit Exzenter-Klemmring, abgedichtet, offene und geschlossene Version

Chrome Steel	Part	Art-close	Part	Art-open	Series	d	I	A	B	C	D	E	F	G	H
	826	82612H	827	82712H	UCFL-H 206	30	117	86,7	149,7	11	44,5	20	26,85	47,7	61,5
826	82603H	827	82703H	UCFL-H 207/117	35	117	94,7	149,7	11	55,6	19,5	26	49,9	66,5	
826	82604H	827	82704H	UCFL-H 208/117	40	117	94,7	149,7	11	60,3	19	26,85	54	67	



Standard



Ghiera eccentrica  
Locking collar  
Exzenter-Klemmring



SOLID HOUSING

Inserto standard, con guarnizioni, versione aperta e chiusa / Standard insert, sealed, open and close version / Standard-Flanschlager, abgedichtet, offene und geschlossene Version

Chrome Steel	Part	Art-close	Part	Art-open	Series	d	I	A	C	D	E	F	G	H
	830	83002H	831	83102H	UCF-H 206	30	83	111,7	11	40,3	17	25	39	60,5
830	83004H	831	83104H	UCF-H 208/83	40	83	111,7	11	53	19,5	25	44,5	65,5	

Inserto "long life", con guarnizioni, versione aperta e chiusa / "Long life" insert, sealed, open and close version / "Long Life"-Flanschlager, abgedichtet, offene und geschlossene Version

"Long life"	Part	Art-close	Part	Art-open	Series	d	I	A	C	D	E	F	G	H
	830	83002LH	831	83102LH	UCF-H 206	30	83	111,7	11	40,3	17	25	39	60,5
830	83004LH	831	83104LH	UCF-H 208/83	40	83	111,7	11	53	19,5	25	44,5	65,5	

Inserto con ghiera eccentrica, guarnizioni, versione aperta e chiusa / Insert with locking collar, sealed, open and close version / Flanschlager mit Exzenter-Klemmring, abgedichtet, offene und geschlossene Version

Chrome Steel	Part	Art-close	Part	Art-open	Series	d	I	A	C	D	E	F	G	H
	832	83202H	833	83302H	UCF-H 206	30	83	111,7	11	44,5	17	25	47,7	60,5
832	83204H	833	83304H	UCF-H 208/83	40	83	111,7	11	60,3	19,5	25	54,2	65,5	

Delivery: Easy Standard

NEW NOW AVAILABLE  
COMPACT VERSION

## Componenti

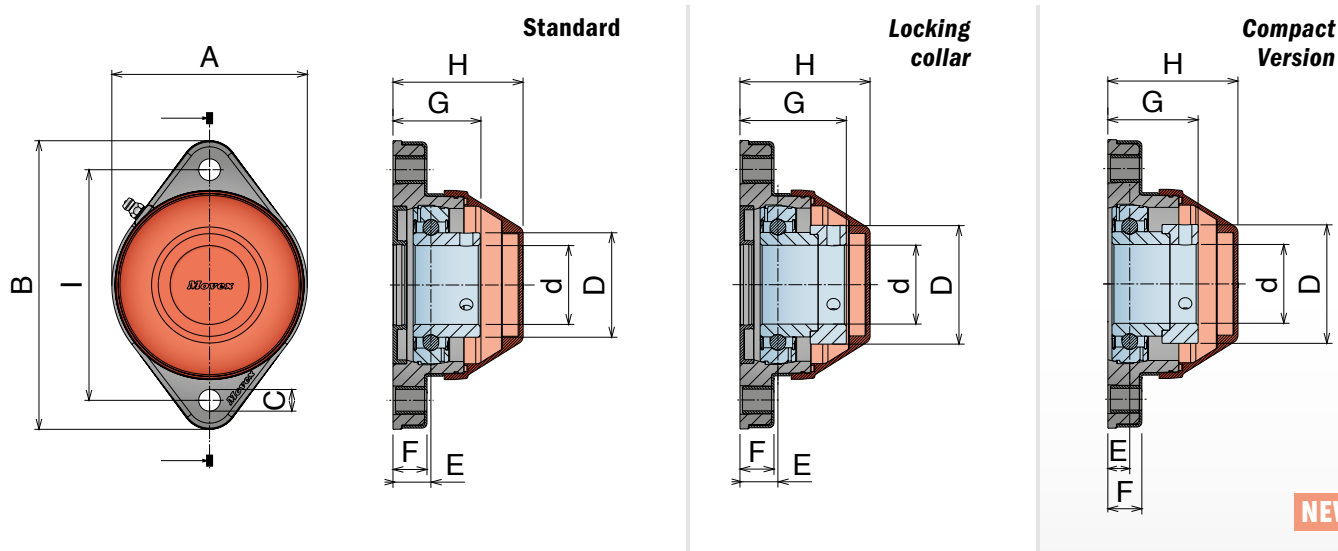
- Sede in poliammide rinforzato, con elevata resistenza meccanica e ottima resistenza contro agenti chimici corrosivi quali acqua, oli, benzina e liquidi contenenti alcool. Tutti i nostri cuscinetti possono essere utilizzati ad una temperatura compresa fra 0°C e +80°C.
- I cuscinetti sono realizzati in acciaio al cromo, disponibili anche, su richiesta, nella versione in acciaio inox. Il cuscinetto all'interno della flangia può essere regolato di 2,5°.
- L'ingrassatore viene realizzato in ferro nichelato, o in acciaio inox nella versione con il cuscinetto in acciaio inox, non disponibile per la versione "Long life" (con tappo).
- Distanziali realizzati in ottone nichelato per rinforzare il foro di fissaggio.
- Rondella in acciaio inox.
- Coperchio di sicurezza in PP.
- "Cover" in acciaio inox.

## Components

- Housing in reinforced polyamide, with higher load capacity and good resistance to corrosive chemicals such as water, oils, petrol and alcoholic beverages. All our bearings can be used at temperatures between 0°C and +80°C.
- Ball bearings are made in chrome steel. They are also available, upon request, in stainless steel. Max misalignment between shaft and housing: 2.5°.
- Grease nipple are made in nickel plated steel, but they can also be made in stainless steel on the stainless steel bearing, not available for "Long life" version (with plug).
- Spacers from nickel plated brass to reinforce fixing holes.
- Washer stainless steel.
- "Cover" in stainless steel

## Komponenten

- Gehäuse gefertigt aus verstärktem Polyamid. Dies gewährleistet eine gute Widerstandsfähigkeit gegenüber mechanischen Einflüssen und eine gute Korrosionsbeständigkeit gegenüber Wasser, Ölen, Benzin, Flüssigkeiten mit Alkohol und Chemikalien. Alle unsere Gehäuse-Lagereinheiten können in einem Temperaturbereich von 0°C bis +80°C eingesetzt werden.
- Die Lagereinsätze sind aus Chrom-Stahl, auf Anfrage auch in Edelstahl erhältlich. Alle Lager gleichen eine Fluchtungsfehler von bis zu 2,5° selbstständig aus.
- Die Schmiernippel sind aus vernickeltem Stahl (aus Edelstahl wenn die Ausführung mit Edelstahl Einsatz gefragt ist), nicht erhältlich für Version "Long life" (mit Kappe).
- Alle Distanzstücke sind aus vernickeltem Messing und verstärkten die Befestigungsbohrungen.
- Alle Unterlegscheiben aus Edelstahl.
- "Cover" aus Edelstahl.



**Inserto standard, con guarnizioni, versione aperta e chiusa**

*Standard insert, sealed, open and close version/Standard-Flanschlager, abgedichtet, offene und geschlossene Version*

Chrome Steel	Part	Art-close	Part	Art-open	Series	d	I	A	B	C	D	E	F	G	H
	845	84502	846	84602	CL 206	30	117	99	146,5	11	40	18,5	16,5	40	69
	845	84503	846	84603	CL 207	35	117	99	146,5	11	48	18,5	16,5	41,5	69
	845	84504	846	84604	CL 208	40	117	99	146,5	11	53	18,5	16,5	43	69

**Inserto standard, con guarnizioni, versione aperta e chiusa**

*Standard insert, sealed, open and close version/Standard-Flanschlager, abgedichtet, offene und geschlossene Version*

Stainless Steel	Part	Art-close	Part	Art-open	Series	d	I	A	B	C	D	E	F	G	H
	845	84502SS	846	84602SS	CL 206	30	117	99	146,5	11	40	18,5	16,5	40	69
	845	84503SS	846	84603SS	CL 207	35	117	99	146,5	11	48	18,5	16,5	41,5	69
	845	84504SS	846	84604SS	CL 208	40	117	99	146,5	11	53	18,5	16,5	43	69

**Inserto "Long life", con guarnizioni, versione aperta e chiusa**

*"Long life" insert, sealed, open and close version/"Long life"-Flanschlager, abgedichtet, offene und geschlossene Version*

"Long life"	Part	Art-close	Part	Art-open	Series	d	I	A	B	C	D	E	F	G	H
	845	84502L	846	84602L	CL 206	30	117	99	146,5	11	40	18,5	16,5	40	69
	845	84503L	846	84603L	CL 207	35	117	99	146,5	11	48	18,5	16,5	41,5	69
	845	84504L	846	84604L	CL 208	40	117	99	146,5	11	53	18,5	16,5	43	69

**Inserto con ghiera eccentrica, guarnizioni, versione aperta e chiusa**

*Insert with locking collar, sealed, open and close version/Flanschlager mit Exzenter-Klemmring, abgedichtet, offene und geschlossene Version*

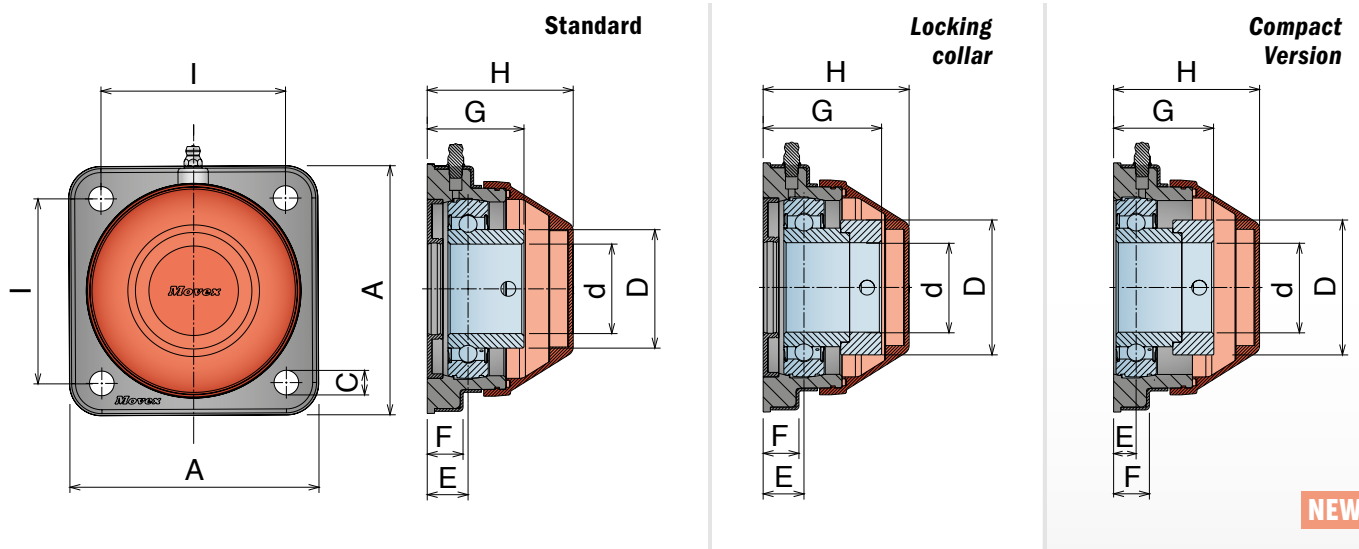
Chrome Steel	Part	Art-close	Part	Art-open	Series	d	I	A	B	C	D	E	F	G	H
	847	84702	848	84802	CL 206	30	117	99	146,5	11	45	18,5	16,5	46	69
	847	84703	848	84803	CL 207	35	117	99	146,5	11	56	18,5	16,5	49	69
	847	84704	848	84804	CL 208	40	117	99	146,5	11	60,3	18,5	16,5	53	69

**Compact Version**

**Inserto con ghiera eccentrica, guarnizioni, con e senza cappuccio**

*Insert with locking collar, sealed, with or without cap/Flanschlager mit Exzenter-Klemmring, abgedichtet, mit oder ohne Schutzkappe*

Chrome Steel	Art-no cap	Art-open cap	Art-closed cap	Series	d	I	A	B	C	D	E	F	G	H
	89939	89943	89942	CL 206	30	117	99	146,5	11	45	16,3	16	44	69
	89936	89941	89940	CL 208	40	117	99	146,5	11	60,3	11,1	16	45,8	69



**Inserto standard, con guarnizioni, versione aperta e chiusa**

*Standard insert, sealed, open and close version/Standard-Flanschlager, abgedichtet, offene und geschlossene Version*

Chrome Steel	Part	Art-close	Part	Art-open	Series	d	I	A	C	D	E	F	G	H
	849	84902	850	85002	CS 206	30	82,5	111	11	40	18,5	16,5	40	69
	849	84903	850	85003	CS 207	35	82,5	111	11	48	18,5	16,5	41,5	69
	849	84904	850	85004	CS 208	40	82,5	111	11	53	18,5	16,5	43	69

**Inserto standard, con guarnizioni, versione aperta e chiusa**

*Standard insert, sealed, open and close version/Standard-Flanschlager, abgedichtet, offene und geschlossene Version*

Stainless Steel	Part	Art-close	Part	Art-open	Series	d	I	A	C	D	E	F	G	H
	849	84902SS	850	85002SS	CS 206	30	82,5	111	11	40	18,5	16,5	40	69
	849	84903SS	850	85003SS	CS 207	35	82,5	111	11	48	18,5	16,5	41,5	69
	849	84904SS	850	85004SS	CS 208	40	82,5	111	11	53	18,5	16,5	43	69

**Inserto "Long life", con guarnizioni, versione aperta e chiusa**

*"Long life" insert, sealed, open and close version/"Long life"-Flanschlager, abgedichtet, offene und geschlossene Version*

"Long life"	Part	Art-close	Part	Art-open	Series	d	I	A	C	D	E	F	G	H
	849	84902L	850	85002L	CS 206	30	82,5	111	11	40	18,5	16,5	40	69
	849	84903L	850	85003L	CS 207	35	82,5	111	11	48	18,5	16,5	41,5	69
	849	84904L	850	85004L	CS 208	40	82,5	111	11	53	18,5	16,5	43	69

**Inserto con ghiera eccentrica, guarnizioni, versione aperta e chiusa**

*Insert with locking collar, sealed, open and close version/Flanschlager mit Exzenter-Klemmring, abgedichtet, offene und geschlossene Version*

Chrome Steel	Part	Art-close	Part	Art-open	Series	d	I	A	C	D	E	F	G	H
	851	85102	852	85202	CS 206	30	82,5	111	11	45	18,5	16,5	46	69
	851	85103	852	85203	CS 207	35	82,5	111	11	56	18,5	16,5	49	69
	851	85104	852	85204	CS 208	40	82,5	111	11	60,3	18,5	16,5	53	69

**Compact Version**

**Inserto con ghiera eccentrica, guarnizioni, con e senza cappuccio**

*Insert with locking collar, sealed, with or without cap/Flanschlager mit Exzenter-Klemmring, abgedichtet, mit oder ohne Schutzkappe*

Chrome Steel	Art-no cap	Art-open cap	Art-closed cap	Series	d	I	A	C	D	E	F	G	H
	89938	89947	89946	CS 206	30	82,5	111	11	45	15,3	16	43	69
	89937	89945	89944	CS 207	35	82,5	111	11	60,3	10,1	16	44,8	69

## SUCF/SUCFL/SUCFK

Delivery: **Easy** **Standard**



### Cuscinetti Acciaio Inox

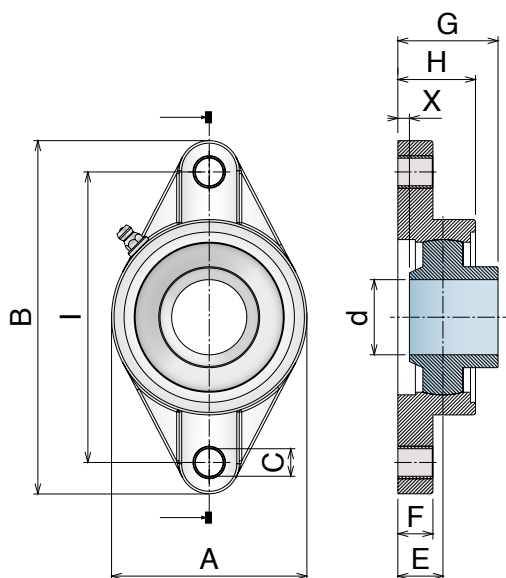
- Sede in Acciaio Inox, ottimale per l'utilizzo nei processi alimentari e farmaceutici.
- I cuscinetti sono realizzati in Acciaio inox, è possibile regolarli di 2.5° all'interno della flangia.
- Ingrassatore realizzato in Acciaio inox.
- Rondella per ingrassatore realizzata in Polietilene.

### Bearing units in Stainless steel

- Housing in stainless steel, best choice for processes in food or pharmaceutical industries.
- Ball bearings are made in stainless steel, they allow a misalignment between shaft and housing of max. 2.5°.
- Grease nipple made in stainless steel.
- Washer for grease nipple in PE.

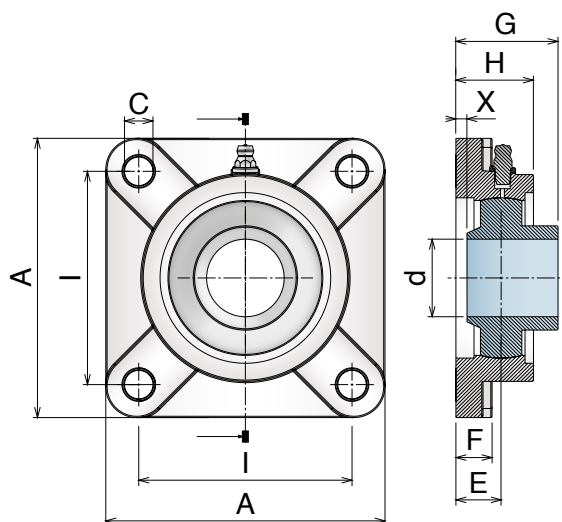
### Flanschlager aus Edelstahl

- Lagergehäuse aus Edelstahl, optimal für den Einsatz in der Lebensmittel- oder Pharmaindustrie.
- Lagereinsatz aus Edelstahl, alle Lager gleichen einen Fluchtungsfehler von bis zu 2,5° selbständig aus.
- Schmiernippel aus Edelstahl.
- Unterlegscheibe für Schmiernippel aus PE.



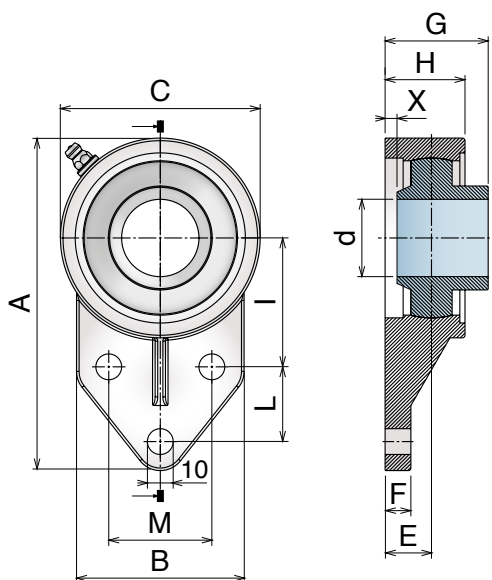
## SUCFL Inserto standard Standard insert / Standard-Flanschlager

Part	Art.-Nr.	Series	d	I	A	B	C	E	F	G	H	X
817	81700	SUCFL 204	20	90	60	113	12	15	11	33,3	25,5	2,3
817	81701	SUCFL 205	25	99	68	130	16	16	14,5	35,8	27	1,7
817	81702	SUCFL 206	30	117	80	148	16	18	14,5	40,2	31	2,1
817	81703	SUCFL 207	35	130	90	161	16	19	14,5	44,4	34	1,5
817	81704	SUCFL 208	40	144	100	175	16	21	15	51,2	36	2



## SUCF Inserto standard Standard insert / Standard-Flanschlager

Part	Art.-Nr.	Series	d	I	A	C	E	F	G	H	X
819	81900	SUCF 204	20	64	86	12	15	12	33,3	25,5	2,3
819	81901	SUCF 205	25	70	95	12	16	14	35,8	27	1,7
819	81902	SUCF 206	30	83	108	12	18	14	40,2	31	2,1
819	81903	SUCF 207	35	92	117	14	19	15,5	44,4	34	1,5
819	81904	SUCF 208	40	102	130	16	21	15,5	51,2	36	2



## SUCFK Inserto standard Standard insert / Standard-Flanschlager

Part	Art.-Nr.	Series	d	A	I	L	M	B	C	E	F	G	H	X
821	82100	SUCFK 204	20	110	42	27	32	52	62	15	13	33,3	25,5	2,3
821	82101	SUCFK 205	25	116	45	27	34	56	68	16	13	35,7	27	1,7
821	82102	SUCFK 206	30	130	50	29	40	65	78	18	13	40,2	31	2,1
821	82103	SUCFK 207	35	144	55	32	46	70	90	19	15	44,4	34	1,5
821	82104	SUCFK 208	40	164	60	41	50	78	100	21	16	51,2	36	2



## HYGIENIC Series

Delivery: **Easy** **Standard**



### Cuscinetti - Bianchi/blu

- Sede in Poliammide.
- I cuscinetti sono realizzati in Acciaio Inox, è possibile regolarli di 2.5° all'interno della flangia.
- L'ingrassatore viene realizzato in Acciaio Inox.
- Distanziali realizzati in Acciaio Inox.
- Rondella per ingrassatore realizzata in Polietilene.

### Bearing units - White/blue

- Housing in reinforced Polyamide.
- Ball bearings are made in stainless steel, they allow a misalignment between shaft and housing of max. 2.5°.
- Grease nipple made in stainless steel.
- Spacers in stainless steel to reinforce fixing holes.
- Washer for grease nipple in PE.

### Flanschlager - Weiss/blauen

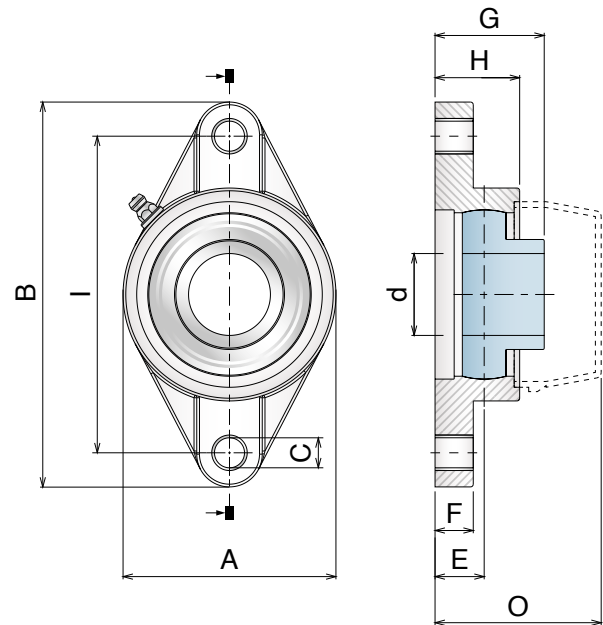
- Lagergehäuse gefertigt aus verstärktem Polyamid.
- Lagereinsatz aus Edelstahl, alle Lager gleichen einen Fluchtungsfehler von bis zu 2,5° selbständig aus.
- Schmiernippel aus Edelstahl.
- Distanzstücke aus Edelstahl und verstärken die Befestigungsbohrungen.
- Unterlegscheibe für Schmiernippel aus Edelstahl.

## NEW FL HYGIENIC



#### Main features:

- Housing in reinforced Polyamide.
- Ball bearings in stainless steel, they allow a misalignment between shaft and housing of max 2.5°.
- Stainless steel mounting hole spacers to reinforce fixing holes.
- Stainless steel grease nipple.



### FL Bearing support - Stainless steel insert

Color and Article-Nr.		Series	d	I	A	B	C	E	F	G	H	O
○ 81300	● 81300B	FL 204	20	90	64	113	11	15,4	11,4	33,4	26,5	46,5
○ 81301	● 81301B	FL 205	25	99	70	131	11	17	14	36,5	29,5	51
○ 81305	● 81305B	FL 206/90,5	30	90,5	84	112,5	11	11,5	20,5	33,5	23,3	50
○ 81302	● 81302B	FL 206	30	117	80	148	11	18	14	40	30,5	58
○ 81303	● 81303B	FL 207	35	130	90	164	13	18	16,1	41,5	32,8	61
○ 81306	● 81306B	FL 208/119	40	119	99	150	14	13,5	24,5	38,5	27,5	60,5
○ 81304	● 81304B	FL 208	40	144	100	176	14	21,5	20	46,5	37,5	71

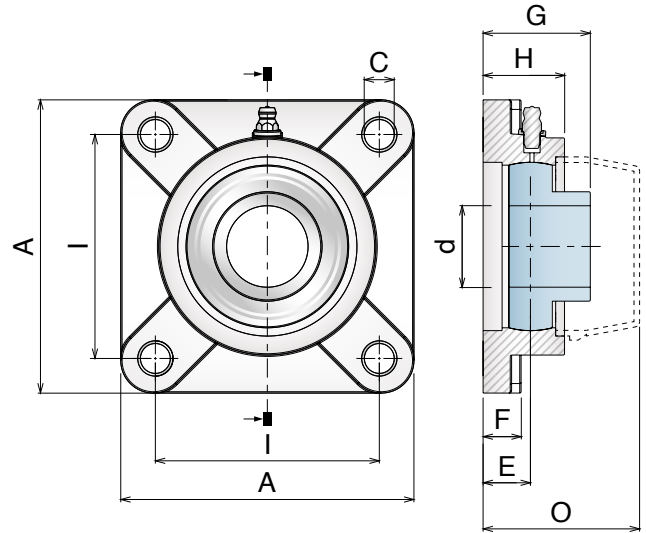
Cap needs to be order separately | More accessories available at Pag 556

## NEW F HYGIENIC



### Main features:

- Housing in reinforced Polyamide.
- Stainless steel ball bearings to allow a misalignment between shaft and housing of max 2.5°.
- Stainless steel mounting hole spacers to reinforce fixing holes.
- Stainless steel grease nipple.



### F Bearing support - Stainless steel insert

Color and Article-Nr.	Series	d	I	A	C	E	F	G	H	O
○ 81400 ● 81400B	F 204	20	63,5	86	11	18	13,4	34,8	25,3	48,5
○ 81401 ● 81401B	F 205	25	70	95	11	17	14	35,8	28,5	51
○ 81402 ● 81402B	F 206	30	83	107	11	19,2	14,3	40,8	31,5	59
○ 81403 ● 81403B	F 207	35	92	118	13	21,5	15,5	42,8	34,4	62,5
○ 81404 ● 81404B	F 208	40	102	130	14	23	17	46,2	33,4	71

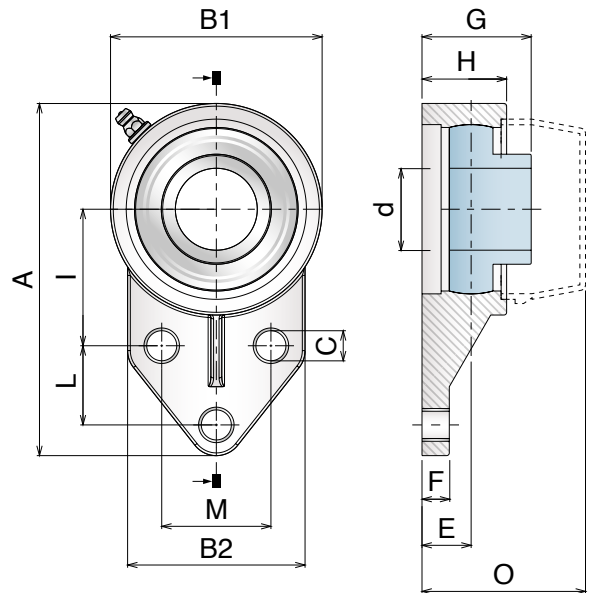
Cap needs to be order separately | More accessories available at Pag 556

## NEW FB HYGIENIC



### Main features:

- Housing in reinforced Polyamide.
- Ball bearings in stainless steel, they allow a misalignment between shaft and housing of max 2.5°.
- Stainless steel mounting hole spacers to reinforce fixing holes.
- Stainless steel grease nipple.



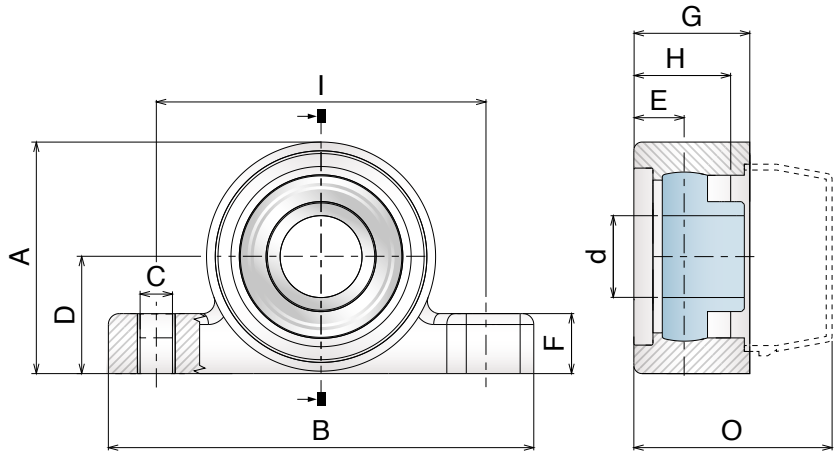
### FB Bearing support - Stainless steel insert

Color and Article-Nr.	Series	d	A	B1	B2	C	E	F	G	H	I	L	M	O
○ 81500 ● 81500B	FB 204	20	108,5	62	62	11	15,4	12	33,4	26,2	42,9	22,2	38,1	46
○ 81501 ● 81501B	FB 205	25	120,6	68,5	63,5	11	21	12	40,5	33,5	46	28,6	41,3	54,5
○ 81502 ● 81502B	FB 206	30	140	82	75	11	19	14	41	31,5	52,4	31,8	47,6	58
○ 81503 ● 81503B	FB 207	35	158	94	89	13	21,4	17	44,9	36,5	60,3	31,8	50,8	65,5
○ 81504 ● 81504B	FB 208	40	164	100	78	13	21,4	18	46,4	35,7	60,3	41,3	50	70

Cap needs to be order separately | More accessories available at Pag 556

Delivery: **Easy** Standard

## NEW UCP HYGIENIC



### Main features:

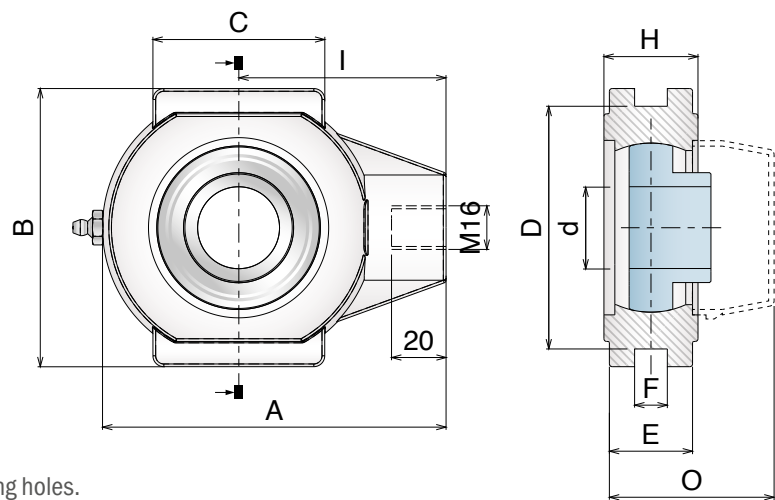
- Housing in reinforced Polyamide.
- Stainless steel ball bearings to allow a misalignment between shaft and housing of max 2.5°.
- Stainless steel mounting hole spacers to reinforce fixing holes.
- Stainless steel grease nipple.

### UCP Bearing support - Stainless steel insert

Color and Article-Nr.	Series	d	I	A	B	C	D	E	F	G	H	O
○ <b>81800</b> ● <b>81800B</b>	UCP 204	20	95	65,5	127	14 (11)	34	15	16	38	23	50
○ <b>81801</b> ● <b>81801B</b>	UCP 205	25	105	71,5	140	14 (11)	36,7	16	15	38	29	54,5
○ <b>81802</b> ● <b>81802B</b>	UCP 206	30	119	83,5	163	18 (14)	43,3	17,5	18	46	30,5	65
○ <b>81803</b> ● <b>81803B</b>	UCP 207	35	127	94,5	168	18 (14)	48	17,5	18	48	31,5	67
○ <b>81804</b> ● <b>81804B</b>	UCP 208	40	137	99	184	18 (14)	50	15,5	20	54	30	76

Cap needs to be order separately | More accessories available at Pag 556

## NEW UCT HYGIENIC



### Main features:

- Housing in reinforced Polyamide.
- Ball bearings in stainless steel, they allow a misalignment between shaft and housing of max 2.5°.
- Stainless steel mounting hole spacers to reinforce fixing holes.
- Stainless steel grease nipple.

### UCT Bearing support - Stainless steel insert

Color and Article-Nr.	Series	d	I	A	B	C	D	E	F	H	O
○ <b>86000</b> ● <b>86000B</b>	UCT 204	20	64	99	88	47	76	23,5	12	27,5	46,5
○ <b>86001</b> ● <b>86001B</b>	UCT 205	25	64	99	88	47	76	23,5	12	27,5	46,5
○ <b>86002</b> ● <b>86002B</b>	UCT 206	30	76	125	102	63	90	30,5	12	34,5	60
○ <b>86003</b> ● <b>86003B</b>	UCT 207	35	76	125	102	63	90	30,5	12	34,5	62
○ <b>86004</b> ● <b>86004B</b>	UCT 208	40	85	140	114	80	102	33,5	16	38,5	70

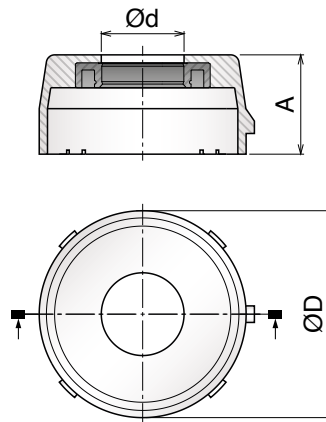
Cap needs to be order separately | More accessories available at Pag 556

**NEW**

## 898

Coperchio di sicurezza aperto  
Open clip-on safety cap / Offene Schutzkappe

Delivery: **Easy** **Standard**



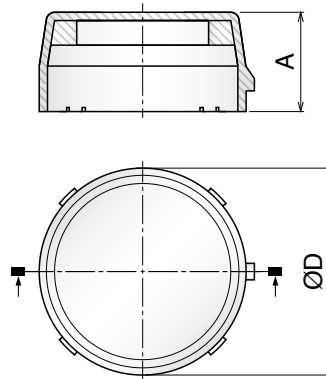
	Color/Article-Nr.	ØD	Ød	A	Series
○	89851	50	20	23	204
●	89851B	50	20	23	
○	89852	55	25	25	205
●	89852B	55	25	25	
○	89853	64	30	30	206
●	89853B	64	30	30	
○	89854	73	35	32	207
●	89854B	73	35	32	
○	89855	84	40	38	208
●	89855B	84	40	38	

**NEW**

## 898

Coperchio di sicurezza chiuso  
Closed clip-on safety cap / Geschlossene Schutzkappe

Delivery: **Easy** **Standard**



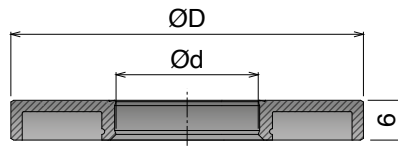
	Color/Article-Nr.	ØD	A	Series
○	89801	50	23	204
●	89801B	50	23	
○	89802	55	25	205
●	89802B	55	25	
○	89803	64	30	206
●	89803B	64	30	
○	89804	73	32	207
●	89804B	73	32	
○	89805	84	38	208
●	89805B	84	38	

**NEW**

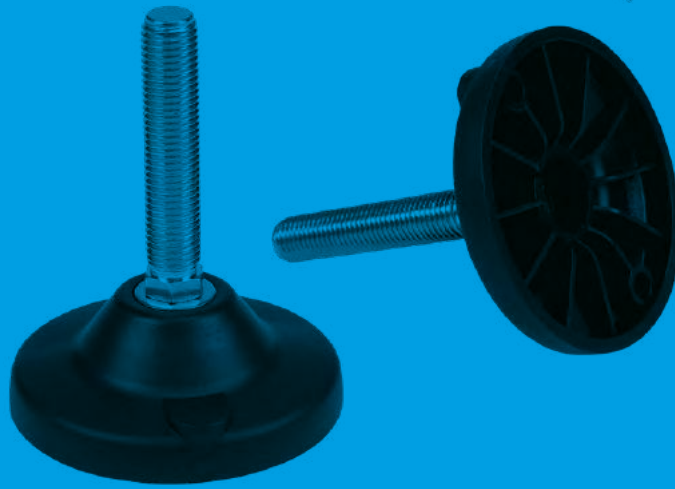
## 897

Anello di tenuta  
Sealing ring / Dichtringe

Delivery: **Easy** **Standard**



	Color/Article-Nr.	ØD	Ød	Series
○	89701	52	20	204
●	89701B	52	20	
○	89702	62	25	205
●	89702B	62	25	
○	89703	72	30	206
●	89703B	72	30	
○	89704	82	35	207
●	89704B	82	35	
○	89705	88	40	208
●	89705B	88	40	



### Basic Series

Ø40-Ø50-Ø60-Ø80-Ø100



Pag 558

### Articulated Series

Ø110 Ø123



Pag 562

### Muscle Series

Ø123



Pag 566

### P400R Series

Ø80-Ø100-Ø120



Pag 569

### STEEL Series

Ø123.5



Pag 573

### S400 Series

SPLIT  
HEAVY  
HEAVY-SPLIT



Pag 575

### S400B Series

SPLIT  
HEAVY  
HEAVY-SPLIT



Pag 599

### C500 Series

SPLIT  
HEAVY  
HEAVY-SPLIT



Pag 626

### Accessories

903



Pag 643

903



Pag 643

903



Pag 644

998



Pag 644

996



Pag 644

## Basic Series

Delivery: **Easy** **Standard**

### Main features:

- Molded baseplate in polyamide
- Spindle in austenitic stainless steel or zinc plated steel

### Other versions available:

- Double floor fixation
- Base and spindle made in polyamide and zinc plated insert.



The **BASIC series**, with plastic baseplate and fully threaded spindle is the standard choice for the industrial environments.

The spindle can be made with flat or hexagonal key wrench and is available in two different materials, zinc plated steel or stainless steel.

Maximum compressive strength (static load) as in the table, maximum tensile strength (static load) 500 N.

## Accessori / Accessories / Zubehör



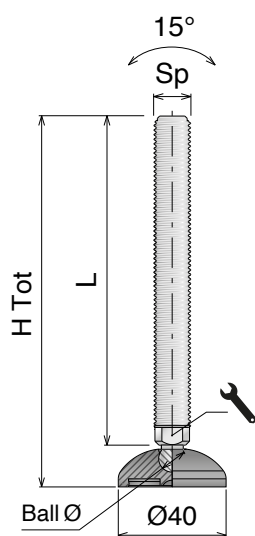
**Gomma anti-scivolo**  
**Anti-slip pad/Gummiplatte**

Art-Nr.	For base
99601	Ø40
99602	Ø50
99603	Ø60
99604	Ø80
99605	Ø100



**Dadi**  
**Nuts/Sechskantmuttern**

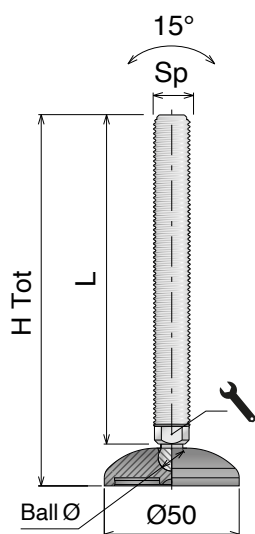
Art-Nr.	Sp	Material	Box
99801	M10	Stainless steel	50 pcs
99802	M12	Stainless steel	50 pcs
99804	M16	Stainless steel	10 pcs
99805	M20	Stainless steel	10 pcs
Art-Nr.	Sp	Material	Box
99801Z	M10	Zinc plated steel	50 pcs
99802Z	M12	Zinc plated steel	50 pcs
99804Z	M16	Zinc plated steel	10 pcs
99805Z	M20	Zinc plated steel	10 pcs



## Ø40

DIAMETER (mm)

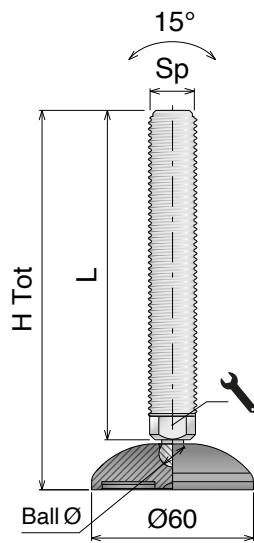
Art-Nr.	Art-Nr.	Sp	H Tot (mm)	L (mm)	Ball Ø (mm)	Wrench (mm)		Load (N)
SS	FeZn					7	9	
90101	90101Z	M10	50	35	6.85	7	-	10.000
90102	90102Z		100	85	6.85	7	-	
90103	90103Z		150	135	6.85	7	-	
90201	90201Z	M12	75	60	10	9	-	12.000
90202	90202Z		100	85	10	9	-	
90203	90203Z		150	135	10	9	-	
90301	90301Z	M16	75	60	10	13	-	15.000
90302	90302Z		100	85	10	13	-	
90303	90303Z		150	135	10	13	-	
90301H	90301ZH		75	60	10	-	16	
90302H	90302ZH		100	85	10	-	16	
90303H	90303ZH		150	135	10	-	16	



## Ø50

DIAMETER (mm)

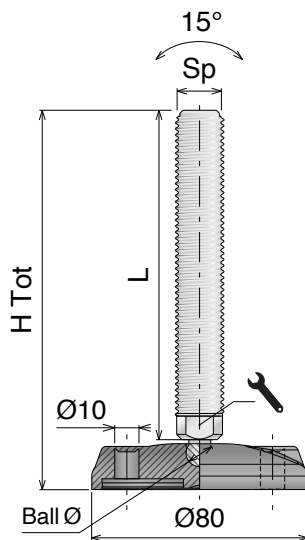
Art-Nr.	Art-Nr.	Sp	H Tot (mm)	L (mm)	Ball Ø (mm)	Wrench (mm)		Load (N)
SS	FeZn					7	9	
90401	90401Z	M10	50	35	6.85	7	-	10.000
90402	90402Z		100	85	6.85	7	-	
90403	90403Z		150	135	6.85	7	-	
90501	90501Z	M12	75	60	10	9	-	12.000
90502	90502Z		100	85	10	9	-	
90503	90503Z		150	135	10	9	-	
90601	90601Z	M16	75	60	10	13	-	15.000
90602	90602Z		100	85	10	13	-	
90603	90603Z		150	135	10	13	-	
90601H	90601ZH		75	60	10	-	16	
90602H	90602ZH		100	85	10	-	16	
90603H	90603ZH		150	135	10	-	16	



## Ø60

DIAMETER (mm)

Art-Nr.	Art-Nr.	Sp	H Tot (mm)	L (mm)	Ball Ø (mm)	Wrench (mm)		Load (N)
SS	FeZn					Hex	Flat	
<b>90701</b>	<b>90701Z</b>	M12	80	60	10	9	-	12.000
<b>90702</b>	<b>90702Z</b>		105	85	10	9	-	
<b>90703</b>	<b>90703Z</b>		155	135	10	9	-	
<b>90801</b>	<b>90801Z</b>	M16	105	85	10	13	-	15.000
<b>90802</b>	<b>90802Z</b>		155	135	10	13	-	
<b>90803</b>	<b>90803Z</b>		205	185	10	13	-	
<b>90801H</b>	<b>90801ZH</b>		105	85	10	-	16	
<b>90802H</b>	<b>90802ZH</b>		155	135	10	-	16	
<b>90803H</b>	<b>90803ZH</b>		205	185	10	-	16	
<b>90901</b>	<b>90901Z</b>	M20	105	85	14,5	16	-	16.000
<b>90902</b>	<b>90902Z</b>		155	135	14,5	16	-	
<b>90903</b>	<b>90903Z</b>		205	185	14,5	16	-	
<b>90901H</b>	<b>90901ZH</b>		105	85	14,5	-	20	
<b>90902H</b>	<b>90902ZH</b>		155	135	14,5	-	20	
<b>90903H</b>	<b>90903ZH</b>		205	185	14,5	-	20	



## Ø80

DIAMETER (mm)



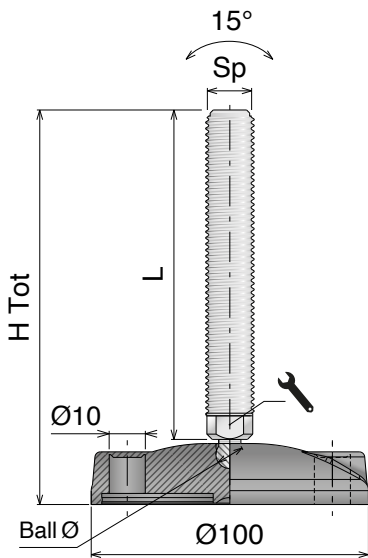
Art-Nr.	Art-Nr.	Sp	H Tot (mm)	L (mm)	Ball Ø (mm)	Wrench (mm)		Load (N)
SS	FeZn					Hex	Flat	
<b>95301</b>	<b>95301Z</b>	M12	80	60	10	9	-	12.000
<b>95302</b>	<b>95302Z</b>		105	85	10	9	-	
<b>95303</b>	<b>95303Z</b>		155	135	10	9	-	
<b>95401</b>	<b>95401Z</b>	M16	105	85	10	13	-	15.000
<b>95402</b>	<b>95402Z</b>		155	135	10	13	-	
<b>95403</b>	<b>95403Z</b>		205	185	10	13	-	
<b>95401H</b>	<b>95401ZH</b>		105	85	10	-	16	
<b>95402H</b>	<b>95402ZH</b>		155	135	10	-	16	
<b>95403H</b>	<b>95403ZH</b>		205	185	10	-	16	
<b>95501</b>	<b>95501Z</b>	M20	105	85	14,5	16	-	18.000
<b>95502</b>	<b>95502Z</b>		155	135	14,5	16	-	
<b>95503</b>	<b>95503Z</b>		205	185	14,5	16	-	
<b>95501H</b>	<b>95501ZH</b>		105	85	14,5	-	20	
<b>95502H</b>	<b>95502ZH</b>		155	135	14,5	-	20	
<b>95503H</b>	<b>95503ZH</b>		205	185	14,5	-	20	



Materiale / Material / Materialien:

SS: Acciaio inox / Stainless steel / Edelstahl

FeZn: Ferro zincato / Zinc plated steel / Stahl Verzinkt

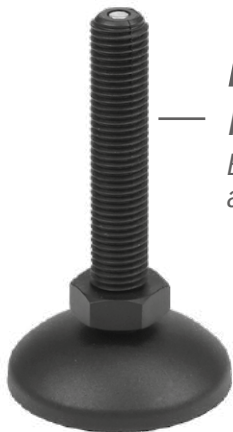


## Ø 100

DIAMETER (mm)

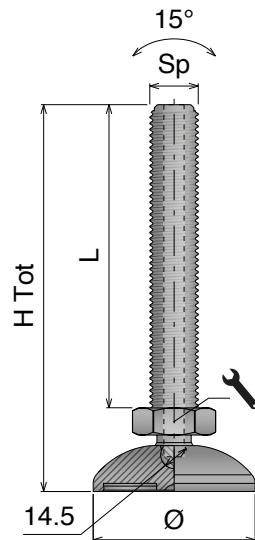


Art-Nr.	Art-Nr.	Sp	H Tot (mm)	L (mm)	Ball Ø (mm)	Wrench (mm)		Load (N)
SS	FeZn					13	16	
95601	95601Z	M16	108	85	10	13	-	15.000
95602	95602Z		158	135	10	13	-	
95603	95603Z		208	185	10	13	-	
95601H	95601ZH		108	85	10	-	16	
95602H	95602ZH		158	135	10	-	16	
95603H	95603ZH		208	185	10	-	16	
95701	95701Z	M20	108	85	14,5	16	-	18.000
95702	95702Z		158	135	14,5	16	-	
95703	95703Z		208	185	14,5	16	-	
95701H	95701ZH		108	85	14,5	-	20	
95702H	95702ZH		158	135	14,5	-	20	
95703H	95703ZH		208	185	14,5	-	20	



## Basic Series POLYAMIDE VERSION

Base and spindle made in polyamide and zinc plated insert.



## Ø 60

DIAMETER (mm)



Art-Nr.	Sp	H Tot (mm)	L (mm)	Wrench (mm)	Load (N)
FeZn insert				16	
90810PH	M16	105	76	24	12.000

## Ø 80

DIAMETER (mm)



FIXING POINT POLYAMIDE

Art-Nr.	Sp	H Tot (mm)	L (mm)	Wrench (mm)	Load (N)
FeZn insert				16	
95410PH	M16	105	76	24	12.000

## Ø 100

DIAMETER (mm)



FIXING POINT POLYAMIDE

Art-Nr.	Sp	H Tot (mm)	L (mm)	Wrench (mm)	Load (N)
FeZn insert				16	
95710PH	M16	110	76	24	12.000

## Articulated Series

Delivery: **Easy** **Standard**

### Main features:

- Molded baseplate in polyamide
- Spindle in austenitic stainless steel or zinc plated steel

### Other versions available:

- Anti-slip NBR rubber pad
- Double floor fixation
- With PA ball



The **ARTICULATED series**, with plastic baseplate and fully threaded spindle is the standard choice for the industrial environments.

The spindle is made with hexagonal key wrench and available in two different materials, zinc plated steel or stainless steel and the baseplate is available with or without rubber pad.

Maximum compressive strength (static load) as in the table, maximum tensile strength (static load) 500 N.

## Accessori / Accessories / Zubehör



**Gomma anti-scivolo**  
Anti-slip pad/Gummiplatte

Art-Nr.	For base
99607	Ø110
99608	Ø123



**Dadi**  
Nuts/Sechskantmuttern

Art-Nr.	Sp	Material	Box
99804	M16	Stainless steel	10 pcs
99805	M20	Stainless steel	10 pcs
99806	M24	Stainless steel	5 pcs
Art-Nr.	Sp	Material	Box
99804Z	M16	Zinc plated steel	10 pcs
99805Z	M20	Zinc plated steel	10 pcs
99806Z	M24	Zinc plated steel	5 pcs

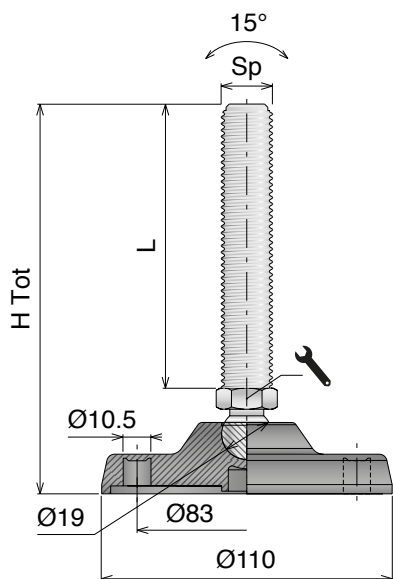
**Materiale / Material / Materialien:**

SS: Acciaio inox / Stainless steel / Edelstahl

FeZn: Ferro zincato / Zinc plated steel / Stahl Verzinkt

# Articulated Series

Piedi di livellamento / Leveling feet / Nivellierfüße



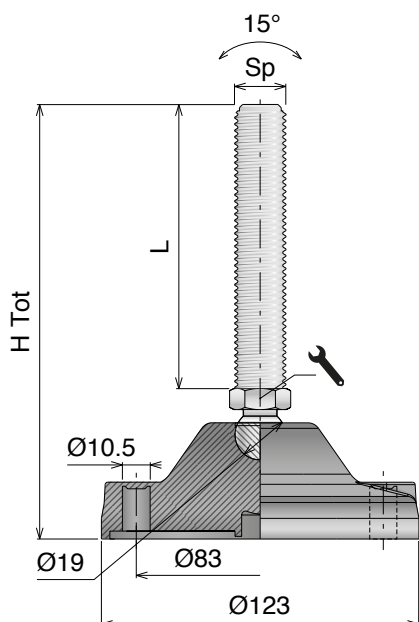
## Ø110

DIAMETER (mm)



FIXING POINT

Art-Nr.	Art-Nr.	Sp	H Tot (mm)	L (mm)	Wrench (mm)	Load (N)
SS	FeZn				20	
94301H	94301ZH	M16	155	115	20	15.000
94302H	94302ZH		185	145	20	
94303H	94303ZH		235	195	20	
94401H	94401ZH	M20	155	115	20	15.000
94402H	94402ZH		185	145	20	
94403H	94403ZH		235	195	20	
94501H	94501ZH	M24	155	115	24	18.000
94502H	94502ZH		185	145	24	
94503H	94503ZH		235	195	24	



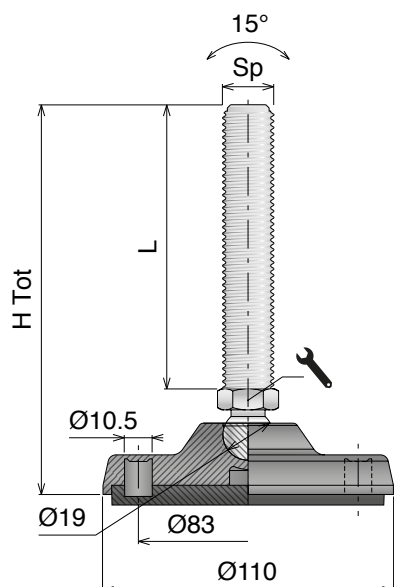
## Ø123

DIAMETER (mm)



FIXING POINT

Art-Nr.	Art-Nr.	Sp	H Tot (mm)	L (mm)	Wrench (mm)	Load (N)
SS	FeZn				20	
94801H	94801ZH	M16	175	115	20	25.000
94802H	94802ZH		205	145	20	
94803H	94803ZH		255	195	20	
94901H	94901ZH	M20	175	115	20	25.000
94902H	94902ZH		205	145	20	
94903H	94903ZH		255	195	20	
95001H	95001ZH	M24	175	115	24	25.000
95002H	95002ZH		205	145	24	
95003H	95003ZH		255	195	24	



## Ø110

DIAMETER (mm)



FIXING POINT



ANTI-SLIP

Art-Nr.	Art-Nr.	Sp	H Tot (mm)	L (mm)	Wrench (mm)	Load (N)
SS	FeZn				20	
94351H	94351ZH	M16	155	115	20	15.000
94352H	94352ZH		185	145	20	
94353H	94353ZH		235	195	20	
94451H	94451ZH	M20	155	115	20	15.000
94452H	94452ZH		185	145	20	
94453H	94453ZH		235	195	20	
94551H	94551ZH	M24	155	115	24	18.000
94552H	94552ZH		185	145	24	
94553H	94553ZH		235	195	24	

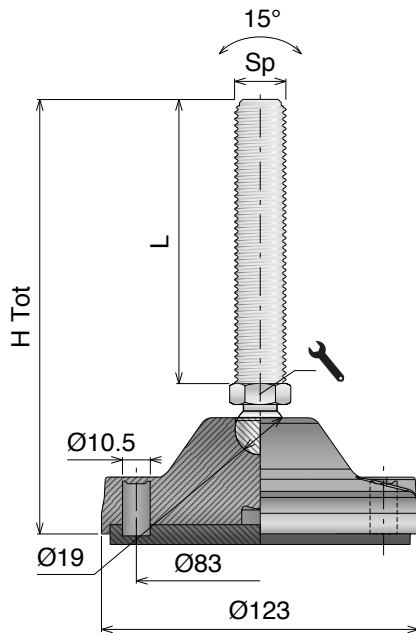
# Articulated Series

Piedi di livellamento / Leveling feet / Nivellierfüße

Materiale / Material / Materialien:

SS: Acciaio inox / Stainless steel / Edelstahl

FeZn: Ferro zincato / Zinc plated steel / Stahl Verzinkt



## Ø123

DIAMETER (mm)

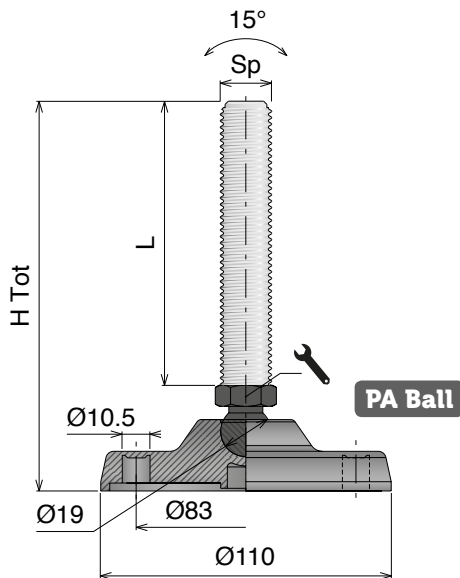


FIXING POINT



ANTI-SLIP

Art-Nr.	Art-Nr.	Sp	H Tot (mm)	L (mm)	Wrench (mm)	Load (N)
SS	FeZn				⬡	
94851H	94851ZH	M16	175	115	20	25.000
94852H	94852ZH		205	145	20	
94853H	94853ZH		255	195	20	
94951H	94951ZH	M20	175	115	20	25.000
94952H	94952ZH		205	145	20	
94953H	94953ZH		255	195	20	
95051H	95051ZH	M24	175	115	24	25.000
95052H	95052ZH		205	145	24	
95053H	95053ZH		255	195	24	



## Ø110

DIAMETER (mm)



PA-BALL

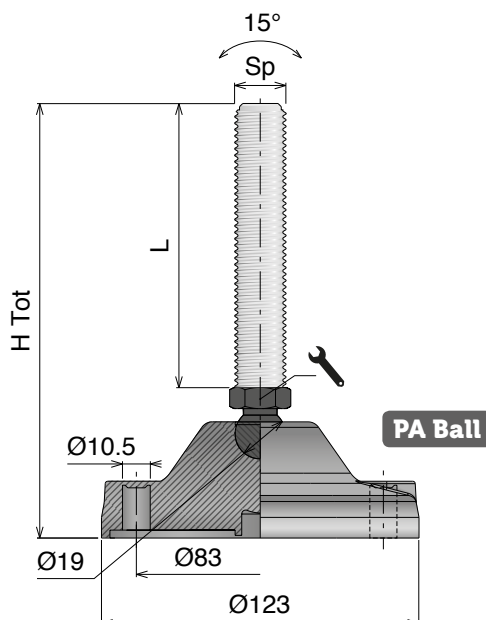


FIXING POINT

Art-Nr.	Art-Nr.	Sp	H Tot (mm)	L (mm)	Wrench (mm)	Load (N)
SS	FeZn				⬡	
-	94601ZH	M16	155	115	24	12.000
94602H	94602ZH		185	145	24	
94603H	94603ZH		235	195	24	
94701H	94701ZH	M20	155	115	24	12.000
-	94702ZH		185	145	24	
94703H	94703ZH		235	195	24	



Best Value



## Ø123

DIAMETER (mm)



PA-BALL



FIXING POINT

Art-Nr.	Art-Nr.	Sp	H Tot (mm)	L (mm)	Wrench (mm)	Load (N)
SS	FeZn				⬡	
-	95101ZH	M16	175	115	24	20.000
95102H	95102ZH		205	145	24	
95103H	95103ZH		255	195	24	
95201H	95201ZH	M20	175	115	24	20.000
-	95202ZH		205	145	24	
95203H	95203ZH		255	195	24	



Best Value

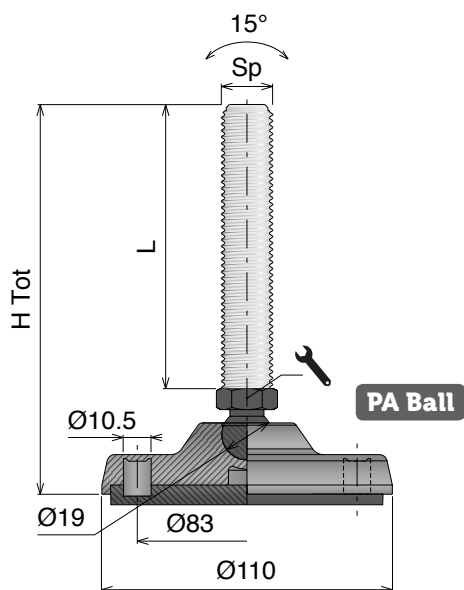
**Materiale / Material / Materialien:**

**SS:** Acciaio inox / Stainless steel / Edelstahl

**FeZn:** Ferro zincato / Zinc plated steel / Stahl Verzinkt

# Articulated Series

Piedi di livellamento / Leveling feet / Nivellierfüße



## Ø 110

DIAMETER (mm)



PA-BALL



FIXING POINT

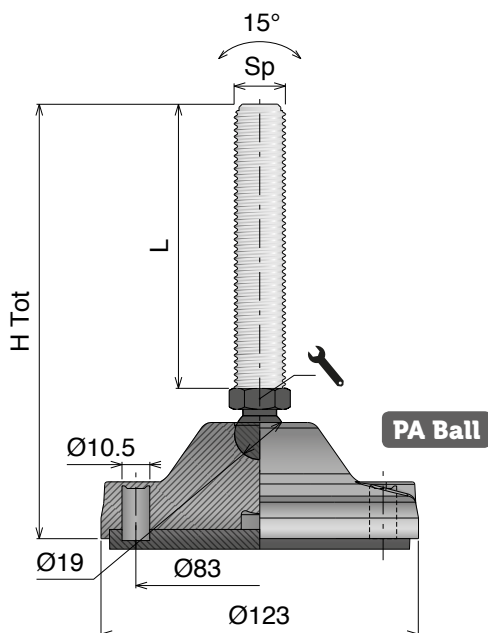


ANTI-SLIP

Art-Nr.	Art-Nr.	Sp	H Tot (mm)	L (mm)	Wrench (mm)	Load (N)
SS	FeZn				24	
-	94651ZH	M16	155	115	24	12.000
94652H	94652ZH		185	145	24	
94653H	94653ZH		235	195	24	
94751H	94751ZH	M20	155	115	24	12.000
-	94752ZH		185	145	24	
94753H	94753ZH		235	195	24	



**Best Value**



## Ø 123

DIAMETER (mm)



PA-BALL



FIXING POINT



ANTI-SLIP

Art-Nr.	Art-Nr.	Sp	H Tot (mm)	L (mm)	Wrench (mm)	Load (N)
SS	FeZn				24	
-	95151ZH	M16	175	115	24	20.000
95152H	95152ZH		205	145	24	
95153H	95153ZH		255	195	24	
95251H	95251ZH	M20	175	115	24	20.000
-	95252ZH		205	145	24	
95253H	95253ZH		255	195	24	



**Best Value**

## Muscle Series

Delivery: **Easy** **Standard**

### Main features:

- Molded baseplate in polyamide
- Spindle in austenitic stainless steel or zinc plated steel
- Washer in austenitic stainless steel
- Double floor fixation points

### Other versions available:

- Anti-slip NBR rubber pad
- Double floor fixation



The **MUSCLE series**, with plastic baseplate, fully threaded spindle and stainless steel washer is the standard choice for the industrial environments.

The spindle can be made with flat or hexagonal key wrench and is available in two different materials, zinc plated steel or stainless steel and the baseplate is available with or without rubber pad.

The spindle is fixed by using a circlip or with a self-locking nut.

Maximum compressive strength (static load) as in the table, maximum tensile strength (static load) 1.000 N

## Accessori / Accessories / Zubehör



**Gomma anti-scivolo**  
Anti-slip pad/Gummiplatte

Art-Nr.	For base
99608	Ø123



**Dadi**  
Nuts/Sechskantmuttern

Art-Nr.	Sp	Material	Box
99805	M20	Stainless steel	10 pcs
99806	M24	Stainless steel	5 pcs
99807	M30	Stainless steel	5 pcs
Art-Nr.	Sp	Material	Box
99805Z	M20	Zinc plated steel	10 pcs
99806Z	M24	Zinc plated steel	5 pcs
99807Z	M30	Zinc plated steel	5 pcs

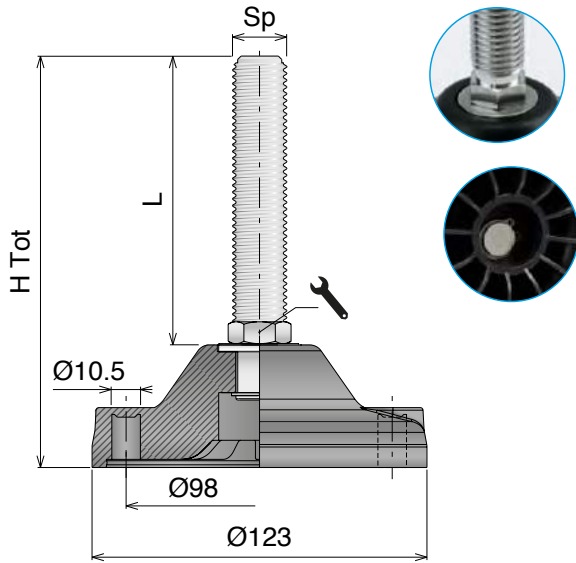
**Materiale / Material / Materialien:**

SS: Acciaio inox / Stainless steel / Edelstahl

FeZn: Ferro zincato / Zinc plated steel / Stahl Verzinkt

# Muscle Series

Piedi di livellamento / Leveling feet / Nivellierfüße



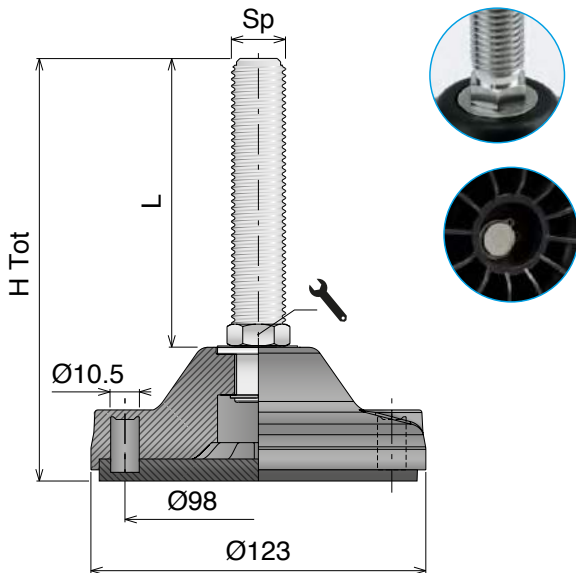
## Ø123 Type A

DIAMETER (mm)



FIXING POINT

Art-Nr.	Art-Nr.	Sp	H Tot (mm)	L (mm)	Wrench (mm)	Load (N)
SS	FeZn				20	
95801H	95801ZH	M20	150	98	20	30.000
95802H	95802ZH		200	148	20	
95803H	95803ZH		250	198	20	
95901H	95901ZH	M24	150	98	24	30.000
95902H	95902ZH		200	148	24	
95903H	95903ZH		250	198	24	



## Ø123 Type A

DIAMETER (mm)

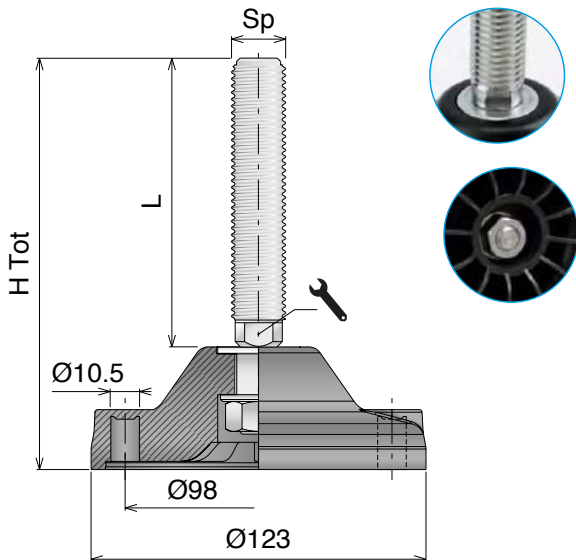


FIXING POINT



ANTI-SLIP

Art-Nr.	Art-Nr.	Sp	H Tot (mm)	L (mm)	Wrench (mm)	Load (N)
SS	FeZn				20	
95851H	95851ZH	M20	150	98	20	30.000
95852H	95852ZH		200	148	20	
95853H	95853ZH		250	198	20	
95951H	95951ZH	M24	150	98	24	30.000
95952H	95952ZH		200	148	24	
95953H	95953ZH		250	198	24	



## Ø123 Type B

DIAMETER (mm)



FIXING POINT

Art-Nr.	Art-Nr.	Sp	H Tot (mm)	L (mm)	Wrench (mm)	Load (N)
SS	FeZn				16	
93102	93102Z	M20	200	148	16	30.000
93103	93103Z		250	198	16	
93202	93202Z	M24	200	148	19	30.000
93203	93203Z		250	198	19	
93302	93302Z	M30	200	148	24	30.000
93303	93303Z		250	198	24	

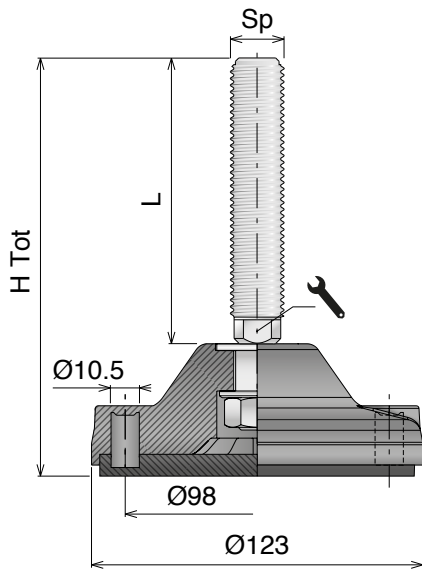
# Muscle Series

Piedi di livellamento / Leveling feet / Nivellierfüße

**Materiale / Material / Materialien:**

**SS:** Acciaio inox / Stainless steel / Edelstahl

**FeZn:** Ferro zincato / Zinc plated steel / Stahl Verzinkt



## Ø123 Type B

DIAMETER (mm)

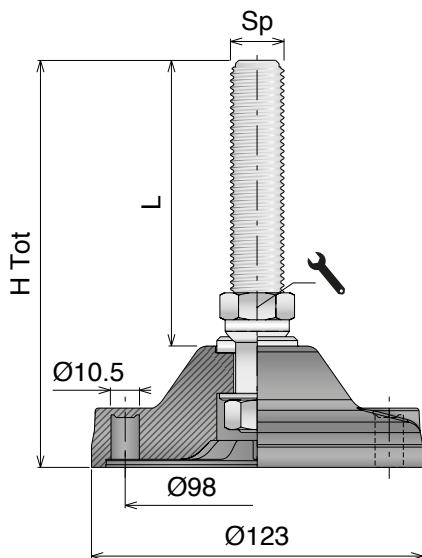


FIXING POINT



ANTI-SLIP

Art-Nr.	Art-Nr.	Sp	H Tot (mm)	L (mm)	Wrench (mm)	Load (N)
SS	FeZn				16	
<b>93152</b>	<b>93152Z</b>	M20	200	148	16	30.000
<b>93153</b>	<b>93153Z</b>		250	198	16	
<b>93252</b>	<b>93252Z</b>	M24	200	148	19	30.000
<b>93253</b>	<b>93253Z</b>		250	198	19	
<b>93352</b>	<b>93352Z</b>	M30	200	148	24	30.000
<b>93353</b>	<b>93353Z</b>		250	198	24	



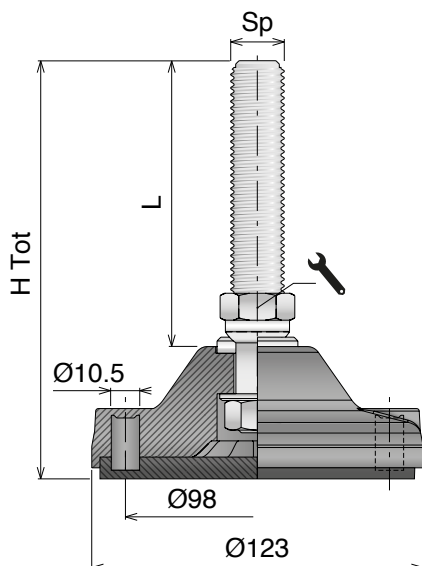
## Ø123 Type C

DIAMETER (mm)



FIXING POINT

Art-Nr.	Art-Nr.	Sp	H Tot (mm)	L (mm)	Wrench (mm)	Load (N)
SS	FeZn				24	
<b>98103H</b>	<b>98103ZH</b>	M20	250	198	24	30.000
<b>98203H</b>	<b>98203ZH</b>	M24	250	198	24	
<b>98302H</b>	<b>98302ZH</b>	M30	200	148	32	30.000
<b>98303H</b>	<b>98303ZH</b>		250	198	32	



## Ø123 Type C

DIAMETER (mm)



FIXING POINT



ANTI-SLIP

Art-Nr.	Art-Nr.	Sp	H Tot (mm)	L (mm)	Wrench (mm)	Load (N)
SS	FeZn				24	
<b>98153H</b>	<b>98153ZH</b>	M20	250	198	24	30.000
<b>98253H</b>	<b>98253ZH</b>	M24	250	198	24	
<b>98352H</b>	<b>98352ZH</b>	M30	200	148	32	30.000
<b>98353H</b>	<b>98353ZH</b>		250	198	32	



## P400R Series

RANGE EXTENSION

Delivery: **Easy** Standard

### Main features:

- Molded baseplate in polyamide
- Spindle in austenitic stainless steel or zinc plated steel
- Washer in austenitic stainless steel

### Versions available:

- Anti-slip NBR rubber pad
- Double floor fixation



The **P400R series**, with plastic baseplate, fully threaded spindle and stainless steel washer is the best choice for industrial environments where a medium-high level of hygiene is required.

The compact baseplate and the smooth edges guarantee an excellent cleanability, even in critical conditions and the stainless steel washer ensures complete closure between the spindle and the baseplate.

Maximum compressive strength (static load) as in the table, maximum tensile strength (static load) 500 N.

## Accessori / Accessories / Zubehör



**Gomma anti-scivolo**  
Anti-slip pad/Gummiplatte

Art-Nr.	For base
99604	Ø80
99605	Ø100
99606	Ø120



**Dadi**  
Nuts/Sechskantmuttern

Art-Nr.	Sp	Material	Box
99802	M12	Stainless steel	10 pcs
99804	M16	Stainless steel	10 pcs
99805	M20	Stainless steel	10 pcs
99806	M24	Stainless steel	5 pcs
99802Z	M12	Zinc plated steel	10 pcs
99804Z	M16	Zinc plated steel	10 pcs
99805Z	M20	Zinc plated steel	10 pcs
99806Z	M24	Zinc plated steel	5 pcs

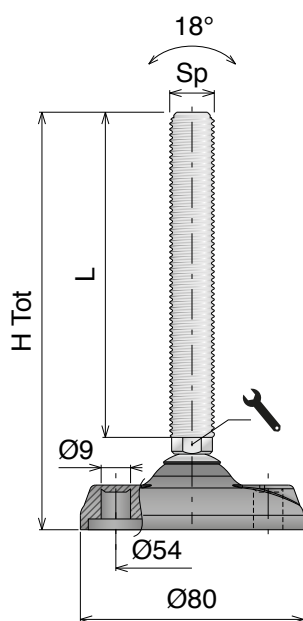
# P400R Series

Piedi di livellamento / Leveling feet / Nivellierfüße

Materiale / Material / Materialien:

SS: Acciaio inox / Stainless steel / Edelstahl

FeZn: Ferro zincato / Zinc plated steel / Stahl Verzinkt

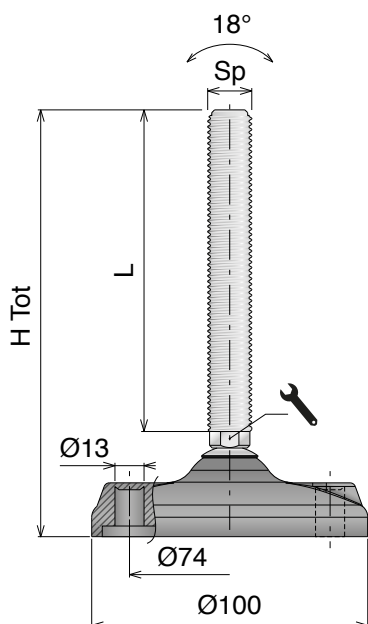


## Ø80

DIAMETER (mm)



Art-Nr.	Art-Nr.	Sp	H Tot (mm)	L (mm)	Wrench (mm)		Load (N)
SS	FeZn				Hex	Hex	
91001	91001Z	M12	100	67	9	-	12.000
91002	91002Z		150	117	9	-	
91003	91003Z		200	167	9	-	
91101	91101Z	M16	95	61	13	-	15.000
91102	91102Z		145	111	13	-	
91103	91103Z		195	161	13	-	
91101H	91101ZH		95	61	-	16	
91102H	91102ZH		145	111	-	16	
91103H	91103ZH		195	161	-	16	
91201	91201Z	M20	120	84	16	-	16.000
91202	91202Z		170	134	16	-	
91203	91203Z		220	184	16	-	
91201H	91201ZH		120	84	-	20	
91202H	91202ZH		170	134	-	20	
91203H	91203ZH		220	184	-	20	

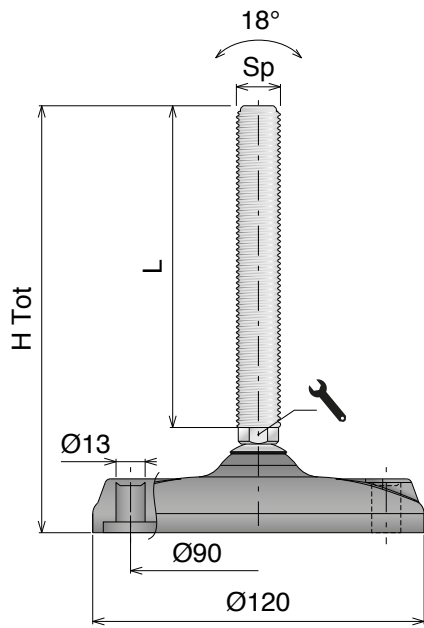


## Ø100

DIAMETER (mm)



Art-Nr.	Art-Nr.	Sp	H Tot (mm)	L (mm)	Wrench (mm)		Load (N)
SS	FeZn				Hex	Hex	
91301	91301Z	M16	100	61	13	-	15.000
91302	91302Z		150	111	13	-	
91303	91303Z		200	161	13	-	
91301H	91301ZH		100	61	-	16	
91302H	91302ZH		150	111	-	16	
91303H	91303ZH		200	161	-	16	
91401	91401Z	M20	125	84	16	-	16.000
91402	91402Z		175	134	16	-	
91403	91403Z		225	184	16	-	
91401H	91401ZH		125	84	-	20	
91402H	91402ZH		175	134	-	20	
91403H	91403ZH		225	184	-	20	
91501	91501Z	M24	125	83	19	-	18.000
91502	91502Z		175	133	19	-	
91503	91503Z		225	183	19	-	

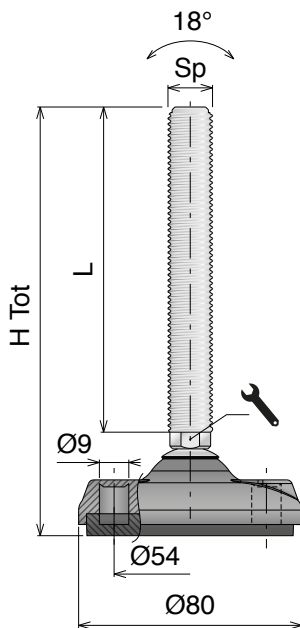


## Ø120

DIAMETER (mm)

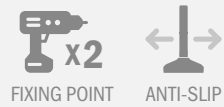


Art-Nr.	Art-Nr.	Sp	H Tot (mm)	L (mm)	Wrench (mm)		Load (N)
SS	FeZn				Hex	Hex	
91601	91601Z	M16	100	61	13	-	15.000
91602	91602Z		150	111	13	-	
91603	91603Z		200	161	13	-	
91601H	91601ZH		100	61	-	16	
91602H	91602ZH		150	111	-	16	
91603H	91603ZH		200	161	-	16	
91701	91701Z	M20	125	84	16	-	16.000
91702	91702Z		175	134	16	-	
91703	91703Z		225	184	16	-	
91701H	91701ZH		125	84	-	20	
91702H	91702ZH		175	134	-	20	
91703H	91703ZH		225	184	-	20	
91801	91801Z	M24	125	83	19	-	18.000
91802	91802Z		175	133	19	-	
91803	91803Z		225	183	19	-	



## Ø80

DIAMETER (mm)



Art-Nr.	Art-Nr.	Sp	H Tot (mm)	L (mm)	Wrench (mm)		Load (N)
SS	FeZn				Hex	Hex	
91001R	91001ZR	M12	103	67	9	-	12.000
91002R	91002ZR		153	117	9	-	
91003R	91003ZR		203	167	9	-	
91101R	91101ZR	M16	98	61	13	-	15.000
91102R	91102ZR		148	111	13	-	
91103R	91103ZR		198	161	13	-	
91101HR	91101ZHR		98	61	-	16	
91102HR	91102ZHR		148	111	-	16	
91103HR	91103ZHR		198	161	-	16	
91201R	91201ZR	M20	123	84	16	-	16.000
91202R	91202ZR		173	134	16	-	
91203R	91203ZR		223	184	16	-	
91201HR	91201ZHR		123	84	-	20	
91202HR	91202ZHR		173	134	-	20	
91203HR	91203ZHR		223	184	-	20	

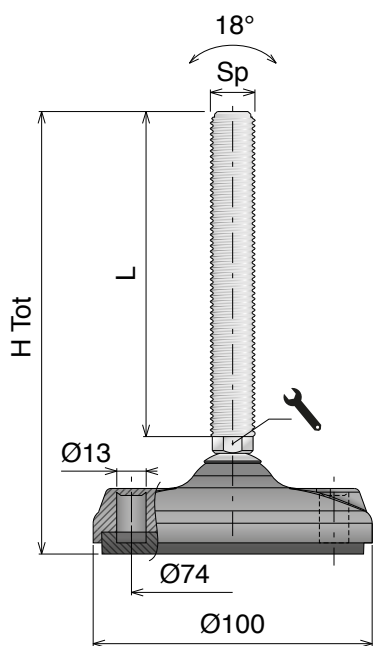
# P400R Series

Piedi di livellamento / Leveling feet / Nivellierfüße

**Materiale / Material / Materialien:**

**SS:** Acciaio inox / Stainless steel / Edelstahl

**FeZn:** Ferro zincato / Zinc plated steel / Stahl Verzinkt



## Ø100

DIAMETER (mm)

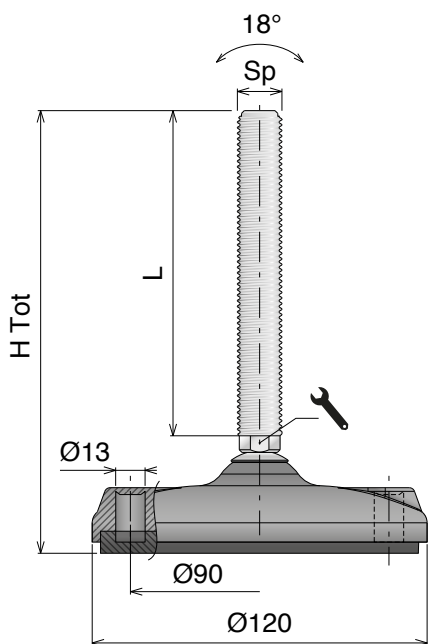


FIXING POINT



ANTI-SLIP

Art-Nr.	Art-Nr.	Sp	H Tot (mm)	L (mm)	Wrench (mm)		Load (N)
SS	FeZn				13	16	
91301R	91301ZR	M16	103	61	13	-	15.000
91302R	91302ZR		153	111	13	-	
91303R	91303ZR		203	161	13	-	
91301HR	91301ZHR		103	61	-	16	
91302HR	91302ZHR		153	111	-	16	
91303HR	91303ZHR		203	161	-	16	
91401R	91401ZR	M20	128	84	16	-	16.000
91402R	91402ZR		178	134	16	-	
91403R	91403ZR		228	184	16	-	
91401HR	91401ZHR		128	84	-	20	
91402HR	91402ZHR		178	134	-	20	
91403HR	91403ZHR		228	184	-	20	
91501R	91501ZR	M24	128	83	19	-	18.000
91502R	91502ZR		178	133	19	-	
91503R	91503ZR		228	183	19	-	



## Ø120

DIAMETER (mm)



FIXING POINT



ANTI-SLIP

Art-Nr.	Art-Nr.	Sp	H Tot (mm)	L (mm)	Wrench (mm)		Load (N)
SS	FeZn				13	16	
91601R	91601ZR	M16	103	61	13	-	15.000
91602R	91602ZR		153	111	13	-	
91603R	91603ZR		203	161	13	-	
91601HR	91601ZHR		103	61	-	16	
91602HR	91602ZHR		153	111	-	16	
91603HR	91603ZHR		203	161	-	16	
91701R	91701ZR	M20	128	84	16	-	16.000
91702R	91702ZR		178	134	16	-	
91703R	91703ZR		228	184	16	-	
91701HR	91701ZHR		128	84	-	20	
91702HR	91702ZHR		178	134	-	20	
91703HR	91703ZHR		228	184	-	20	
91801R	91801ZR	M24	128	83	19	-	18.000
91802R	91802ZR		178	133	19	-	
91803R	91803ZR		228	183	19	-	

## STEEL Series

Delivery: **Easy** Standard

### Main features:

- Stamped baseplate in austenitic stainless steel or zinc plated steel
- Spindle in austenitic stainless steel or zinc plated steel



The **STEEL series**, with stamped baseplate and fully threaded spindle is the standard choice for the industrial environments, where a low level of hygiene and low load are required.

Ideal for heavy and dirty production environments, the STEEL series can be provided without fixing holes, with 2 fixing holes or with 4 fixing holes.

The spindle is made with hexagonal key wrench and is available in two different materials, zinc plated steel or stainless steel.

Maximum compressive strength (static load) 10.000 N, maximum tensile strength (static load) 4.000 N.

## Accessori / Accessories / Zubehör



### Dadi Nuts/Sechskantmuttern

Art-Nr.	Sp	Material	Box
<b>99804</b>	M16	Stainless steel	10 pcs
<b>99805</b>	M20	Stainless steel	10 pcs
<b>99806</b>	M24	Stainless steel	5 pcs
<b>99807</b>	M30	Stainless steel	5 pcs

Art-Nr.	Sp	Material	Box
<b>99804Z</b>	M16	Zinc plated steel	10 pcs
<b>99805Z</b>	M20	Zinc plated steel	10 pcs
<b>99806Z</b>	M24	Zinc plated steel	5 pcs
<b>99807Z</b>	M30	Zinc plated steel	5 pcs

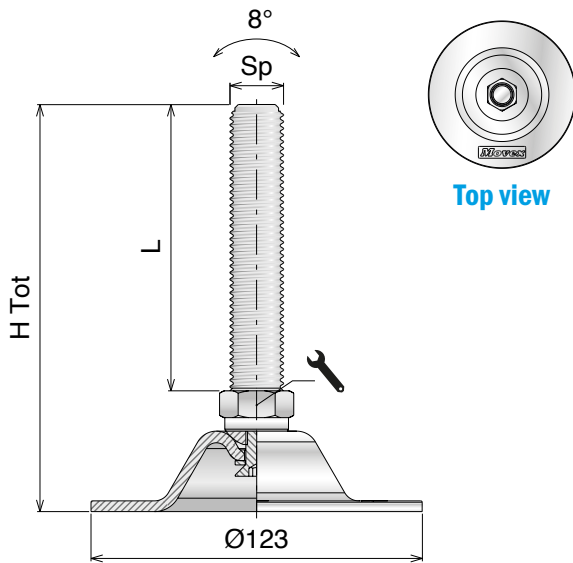
# STEEL Series

Piedi di livellamento / Leveling feet / Nivellierfüße

Materiale / Material / Materialien:

SS: Acciaio inox / Stainless steel / Edelstahl

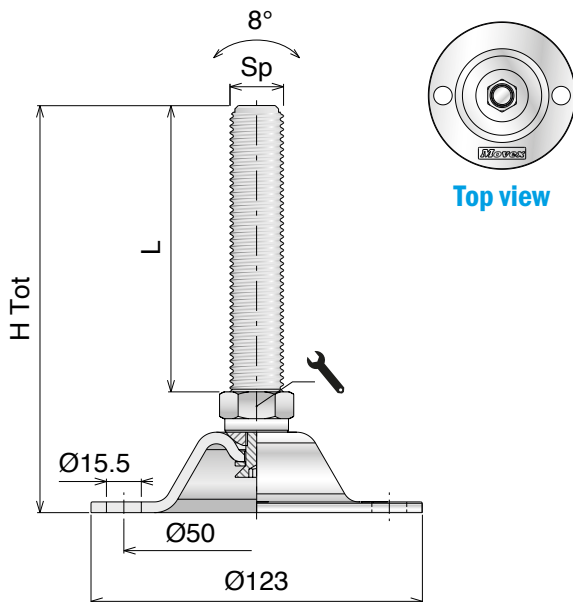
FeZn: Ferro zincato / Zinc plated steel / Stahl Verzinkt



Top view

Ø123  
DIAMETER (mm)

Art-Nr.	Art-Nr.	Sp	H Tot (mm)	L (mm)	Wrench (mm)	Load (N)
SS	FeZn				Hex	
96801H	96801ZH	M16	155	115	20	10.000
96802H	96802ZH		175	135	20	
96901H	96901ZH	M20	160	115	24	
96902H	96902ZH		175	135	24	
97001H	97001ZH	M24	170	125	24	
97002H	97002ZH		230	185	24	
97101H	97101ZH	M30	170	125	32	
97102H	97102ZH		230	185	32	

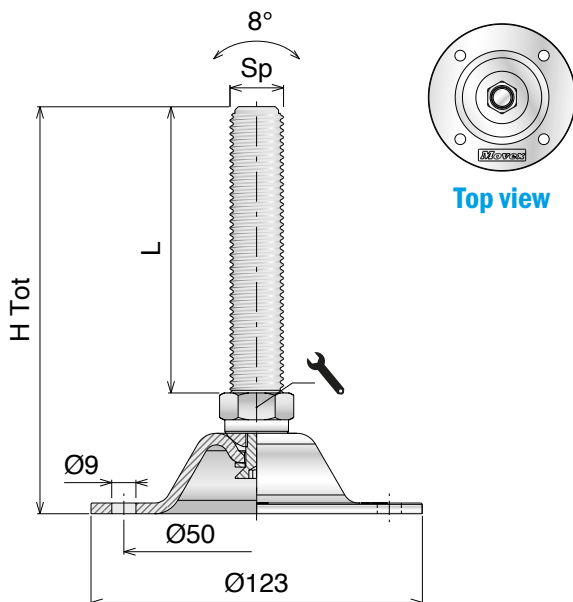


Top view

Ø123  
DIAMETER (mm)



Art-Nr.	Art-Nr.	Sp	H Tot (mm)	L (mm)	Wrench (mm)	Load (N)
SS	FeZn				Hex	
96401H	96401ZH	M16	155	115	20	10.000
96402H	96402ZH		175	135	20	
96501H	96501ZH	M20	160	115	24	
96502H	96502ZH		175	135	24	
96601H	96601ZH	M24	170	125	24	
96602H	96602ZH		230	185	24	
96701H	96701ZH	M30	170	125	32	
96702H	96702ZH		230	185	32	



Top view

Ø123  
DIAMETER (mm)



Art-Nr.	Art-Nr.	Sp	H Tot (mm)	L (mm)	Wrench (mm)	Load (N)
SS	FeZn				Hex	
96001H	96001ZH	M16	155	115	20	10.000
96002H	96002ZH		175	135	20	
96101H	96101ZH	M20	160	115	24	
96102H	96102ZH		175	135	24	
96201H	96201ZH	M24	170	125	24	
96202H	96202ZH		230	185	24	
96301H	96301ZH	M30	170	125	32	
96302H	96302ZH		230	185	32	

## S400 Series STAINLESS STEEL LEVELERS WITH FULLY THREADED SPINDLE

RANGE EXTENSION

Delivery: **Easy** **Standard**

### S400

#### Main features:

- Overmolded baseplate in austenitic stainless steel
- Spindle in austenitic stainless steel
- Washer in austenitic stainless steel
- Vulcanized anti-slip NBR rubber

#### Versions available:

- Single floor fixation



### S400 SPLIT

#### Main features:

- Overmolded baseplate in austenitic stainless steel
- Spindle in austenitic stainless steel
- Separate spindle and baseplate
- Vulcanized anti-slip NBR rubber



### S400 HEAVY

#### Main features:

- Full machined baseplate in austenitic stainless steel
- Spindle in austenitic stainless steel
- Washer in austenitic stainless steel

#### Versions available:

- Vulcanized anti-slip NBR rubber
- Double floor fixation



### S400 HEAVY-SPLIT

#### Main features:

- Full machined baseplate in austenitic stainless steel
- Spindle in austenitic stainless steel
- Separate spindle and baseplate

#### Versions available:

- Vulcanized anti-slip NBR rubber



The **S400 series**, with overmolded base plate in austenitic stainless steel, fully threaded spindle and stainless steel washer is the best choice for industrial environments where a high level of hygiene is required.

The stainless steel baseplate and its particular shape guarantees an excellent cleanability, even in critical conditions; the stainless steel washer ensures complete closure between the spindle and the baseplate and the NBR rubber guarantees anti-slip properties and hermetic closure between the leveller and the floor.

Maximum compressive strength (static load) as in the table, maximum tensile strength (static load) 4.000 N (S400); 8.000 N (S400 HEAVY); NOT AVAILABLE (SPLIT and HEAVY-SPLIT).

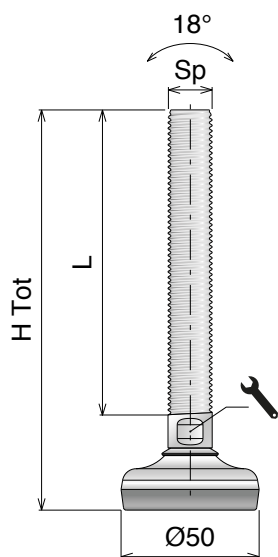
# S400 Series

Piedi di livellamento / Leveling feet / Nivellierfüße

On request vulcanized rubber can be provided white or blue and spindle can be made in AISI 316.

## Material / Material / Materialien:

Base, stelo e rondella: Acciaio inox  
Base plate, spindle and washer: Stainless steel  
Fussplatte, Spindel und Scheibe: Edelstahl

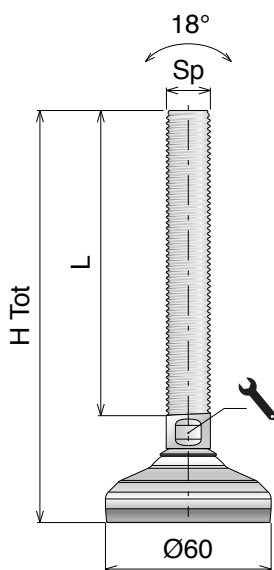


## Ø50

DIAMETER (mm)



Art-Nr.	Sp	H Tot (mm)	L (mm)	Wrench (mm)	Load (N)
901001	M10	85,8	50,5	8	3.000
901002		115,8	80,5	8	
901003		145,8	110,5	8	
901004	M12	85,8	50,8	10	3.000
901005		115,8	80,8	10	
901006		145,8	110,8	10	
901007		175,8	140,8	10	
901008	M16	85,8	51,3	13	3.000
901009		115,8	81,3	13	
901010		145,8	111,3	13	
901011		175,8	141,3	13	
901012		225,8	191,3	13	
901013	M20	85,8	52,3	17	3.000
901014		115,8	82,3	17	
901015		145,8	112,3	17	
901016		175,8	142,3	17	
901017		225,8	192,3	17	
901018		285,8	252,3	17	



## Ø60

DIAMETER (mm)



Art-Nr.	Sp	H Tot (mm)	L (mm)	Wrench (mm)	Load (N)
901019	M10	90	50,5	8	3.000
901020		120	80,5	8	
901021		150	110,5	8	
901022	M12	90	50,8	10	4.500
901023		120	80,8	10	
901024		150	110,8	10	
901025		180	140,8	10	
901026	M16	90	51,3	13	4.500
901027		120	81,3	13	
901028		150	111,3	13	
901029		180	141,3	13	
901030		230	191,3	13	
901031	M20	90	52,3	17	4.500
901032		120	82,3	17	
901033		150	112,3	17	
901034		180	142,3	17	
901035		230	192,3	17	
901036		290	252,3	17	

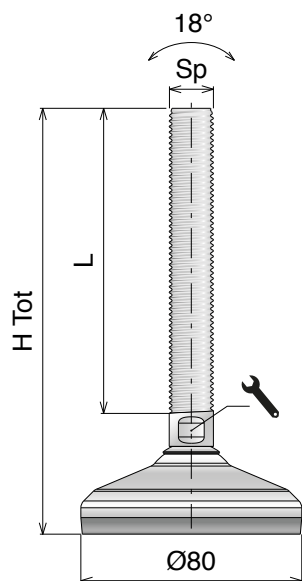


**Materiale / Material / Materialien:**  
 Base, stelo e rondella: Acciaio inox  
 Base plate, spindle and washer: Stainless steel  
 Fussplatte, Spindel und Scheibe: Edelstahl

On request vulcanized rubber can be provided  
 white or blue and spindle can be made in AISI 316.

# S400 Series

Piedi di livellamento / Leveling feet / Nivellierfüße



Ø 80

DIAMETER (mm)



ANTI-SLIP

Art-Nr.	Sp	H Tot (mm)	L (mm)	Wrench (mm)	Load (N)
901080	M12	95	50,8	10	12.000
901081		125	80,8	10	
901082		155	110,8	10	
901083		185	140,8	10	
901084	M16	95	51,3	13	15.000
901085		125	81,3	13	
901086		155	111,3	13	
901087		185	141,3	13	
901088		235	191,3	13	
901089	M20	95	52,3	17	15.000
901090		125	82,3	17	
901091		155	112,3	17	
901092		185	142,3	17	
901093		235	192,3	17	
901094		295	252,3	17	
901095	M24	125	76	19	15.000
901096		155	106	19	
901097		185	136	19	
901098		235	186	19	
901099		295	246	19	
901100	M30	155	106	24	15.000
901101		185	136	24	
901102		235	186	24	
901103		295	246	24	
901104		345	296	24	

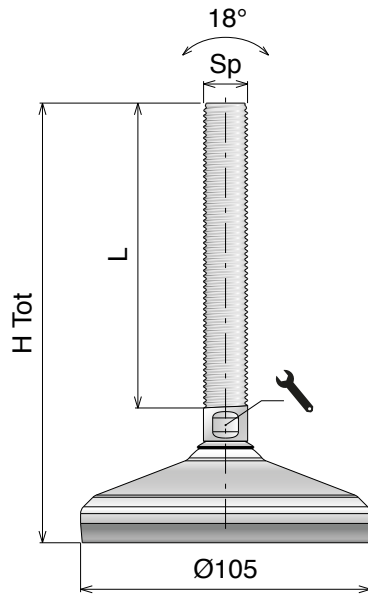
# S400 Series

Piedi di livellamento / Leveling feet / Nivellierfüße

On request vulcanized rubber can be provided  
white or blue and spindle can be made in AISI 316.

**Materiale / Material / Materialien:**

Base, stelo e rondella: Acciaio inox  
Base plate, spindle and washer: Stainless steel  
Fussplatte, Spindel und Scheibe: Edelstahl



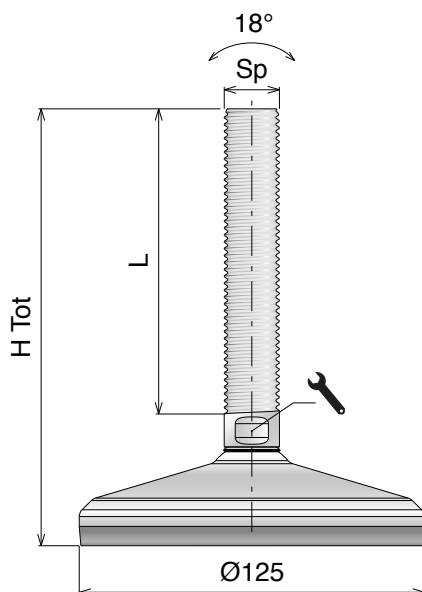
## Ø105

DIAMETER (mm)



ANTI-SLIP

Art-Nr.	Sp	H Tot (mm)	L (mm)	Wrench (mm)	Load (N)
901130	M16	100	51,3	13	25.000
901131		130	81,3	13	
901132		160	111,3	13	
901133		190	141,3	13	
901134		240	191,3	13	
901135	M20	100	52,3	17	25.000
901136		130	82,3	17	
901137		160	112,3	17	
901138		190	142,3	17	
901139		240	192,3	17	
901140		300	252,3	17	
901141	M24	130	76	19	25.000
901142		160	106	19	
901143		190	136	19	
901144		240	186	19	
901145		300	246	19	
901146	M30	160	106	24	25.000
901147		190	136	24	
901148		240	186	24	
901149		300	246	24	
901150		350	296	24	
901151	M36	190	136	30	25.000
901152		240	186	30	
901153		300	246	30	
901154		350	296	30	



## Ø125

DIAMETER (mm)



ANTI-SLIP

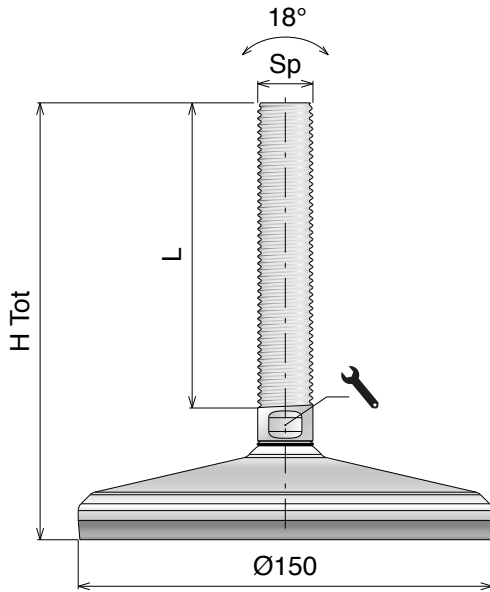
Art-Nr.	Sp	H Tot (mm)	L (mm)	Wrench (mm)	Load (N)
901155	M20	100	52,3	17	30.000
901156		130	82,3	17	
901157		160	112,3	17	
901158		190	142,3	17	
901159		240	192,3	17	
901160		300	252,3	17	
901161	M24	130	76	19	30.000
901162		160	106	19	
901163		190	136	19	
901164		240	186	19	
901165		300	246	19	
901166	M30	160	106	24	30.000
901167		190	136	24	
901168		240	186	24	
901169		300	246	24	
901170		350	296	24	
901171	M36	190	136	30	30.000
901172		240	186	30	
901173		300	246	30	
901174		350	296	30	

**Materiale / Material / Materialien:**  
 Base, stelo e rondella: Acciaio inox  
 Base plate, spindle and washer: Stainless steel  
 Fussplatte, Spindel und Scheibe: Edelstahl

On request vulcanized rubber can be provided  
 white or blue and spindle can be made in AISI 316.

# S400 Series

Piedi di livellamento / Leveling feet / Nivellierfüße



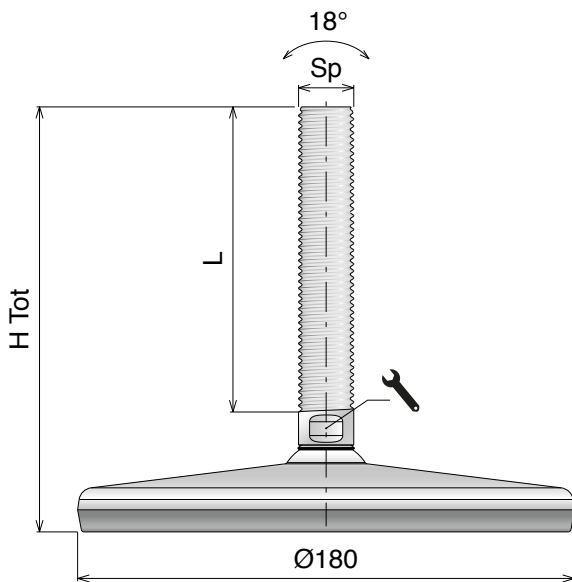
## Ø 150

DIAMETER (mm)



ANTI-SLIP

Art-Nr.	Sp	H Tot (mm)	L (mm)	Wrench (mm)	Load (N)
901175	M20	100	52,3	17	45.000
901176		130	82,3	17	
901177		160	112,3	17	
901178		190	142,3	17	
901179		240	192,3	17	
901180		300	252,3	17	
901181	M24	130	76	19	45.000
901182		160	106	19	
901183		190	136	19	
901184		240	186	19	
901185		300	246	19	
901186	M30	160	106	24	45.000
901187		190	136	24	
901188		240	186	24	
901189		300	246	24	
901190		350	296	24	
901191	M36	190	136	30	45.000
901192		240	186	30	
901193		300	246	30	
901194		350	296	30	



## Ø 180

DIAMETER (mm)



ANTI-SLIP

Art-Nr.	Sp	H Tot (mm)	L (mm)	Wrench (mm)	Load (N)
901195	M20	95,7	52,3	17	38.000
901196		125,7	82,3	17	
901197		155,7	112,3	17	
901198		185,7	142,3	17	
901199		235,7	192,3	17	
901200		295,7	252,3	17	
901201	M24	125,7	76	19	38.000
901202		155,7	106	19	
901203		185,7	136	19	
901204		235,7	186	19	
901205		295,7	246	19	
901206	M30	155,7	106	24	38.000
901207		185,7	136	24	
901208		235,7	186	24	
901209		295,7	246	24	
901210		345,7	296	24	
901211	M36	185,7	136	30	38.000
901212		235,7	186	30	
901213		295,7	246	30	
901214		345,7	296	30	

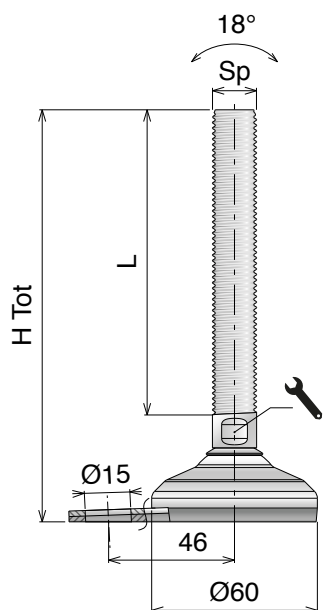
# S400 Series

Piedi di livellamento / Leveling feet / Nivellierfüße

On request vulcanized rubber can be provided  
white or blue and spindle can be made in AISI 316.

**Materiale / Material / Materialien:**

Base, stelo e rondella: Acciaio inox  
Base plate, spindle and washer: Stainless steel  
Fussplatte, Spindel und Scheibe: Edelstahl



## Ø 60

DIAMETER (mm)

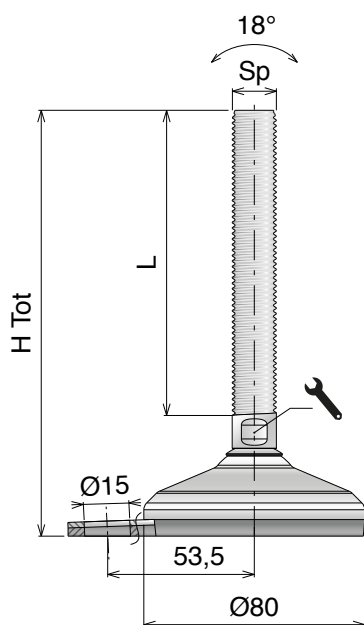


FIXING POINT



ANTI-SLIP

Art-Nr.	Sp	H Tot (mm)	L (mm)	(mm)	Load (N)
901215	M10	90	50,5	8	3.000
901216		120	80,5	8	
901217		150	110,5	8	
901218	M12	90	50,8	10	4.500
901219		120	80,8	10	
901220		150	110,8	10	
901221		180	140,8	10	
901222	M16	90	51,3	13	4.500
901223		120	81,3	13	
901224		150	111,3	13	
901225		180	141,3	13	
901226		230	191,3	13	
901227	M20	90	52,3	17	4.500
901228		120	82,3	17	
901229		150	112,3	17	
901230		180	142,3	17	
901231		230	192,3	17	
901232		290	252,3	17	



## Ø 80

DIAMETER (mm)



FIXING POINT



ANTI-SLIP

Art-Nr.	Sp	H Tot (mm)	L (mm)	(mm)	Load (N)
901258	M12	95	50,8	10	12.000
901259		125	80,8	10	
901260		155	110,8	10	
901261		185	140,8	10	
901262	M16	95	51,3	13	15.000
901263		125	81,3	13	
901264		155	111,3	13	
901265		185	141,3	13	
901266		235	191,3	13	
901267	M20	95	52,3	17	15.000
901268		125	82,3	17	
901269		155	112,3	17	
901270		185	142,3	17	
901271		235	192,3	17	
901272		295	252,3	17	
901273	M24	125	76	19	15.000
901274		155	106	19	
901275		185	136	19	
901276		235	186	19	
901277		295	246	19	
901278	M30	155	106	24	15.000
901279		185	136	24	
901280		235	186	24	
901281		295	246	24	
901282		345	296	24	

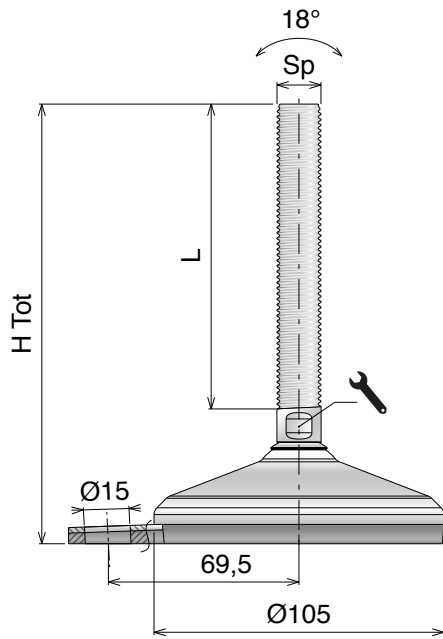
**Materiale / Material / Materialien:**

Base, stelo e rondella: Acciaio inox  
 Base plate, spindle and washer: Stainless steel  
 Fussplatte, Spindel und Scheibe: Edelstahl

On request vulcanized rubber can be provided  
 white or blue and spindle can be made in AISI 316.

# S400 Series

Piedi di livellamento / Leveling feet / Nivellierfüße



## Ø 105

DIAMETER (mm)

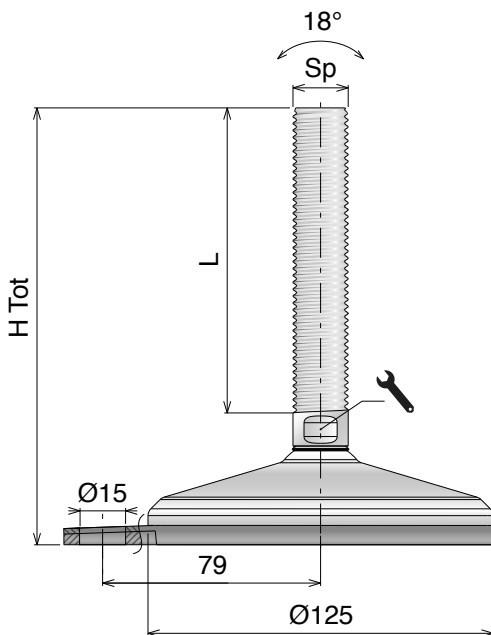


FIXING POINT



ANTI-SLIP

Art-Nr.	Sp	H Tot (mm)	L (mm)	Wrench (mm)	Load (N)
901308	M16	100	51,3	13	25.000
901309		130	81,3	13	
901310		160	111,3	13	
901311		190	141,3	13	
901312		240	191,3	13	
901313	M20	100	52,3	17	25.000
901314		130	82,3	17	
901315		160	112,3	17	
901316		190	142,3	17	
901317		240	192,3	17	
901318	300	252,3	17		
901319	M24	130	76	19	25.000
901320		160	106	19	
901321		190	136	19	
901322		240	186	19	
901323		300	246	19	
901324	M30	160	106	24	25.000
901325		190	136	24	
901326		240	186	24	
901327		300	246	24	
901328		350	296	24	
901329	M36	190	136	30	25.000
901330		240	186	30	
901331		300	246	30	
901332		350	296	30	



## Ø 125

DIAMETER (mm)



FIXING POINT



ANTI-SLIP

Art-Nr.	Sp	H Tot (mm)	L (mm)	Wrench (mm)	Load (N)
901333	M20	100	52,3	17	30.000
901334		130	82,3	17	
901335		160	112,3	17	
901336		190	142,3	17	
901337		240	192,3	17	
901338	300	252,3	17		
901339	M24	130	76	19	30.000
901340		160	106	19	
901341		190	136	19	
901342		240	186	19	
901343		300	246	19	
901344	M30	160	106	24	30.000
901345		190	136	24	
901346		240	186	24	
901347		300	246	24	
901348		350	296	24	
901349	M36	190	136	30	30.000
901350		240	186	30	
901351		300	246	30	
901352		350	296	30	

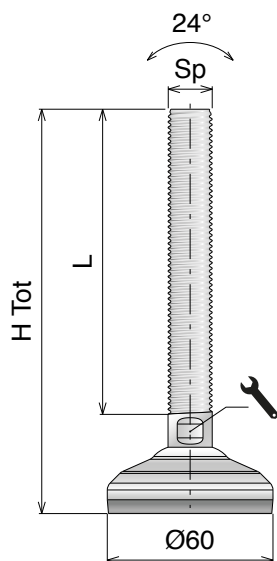
# S400 SPLIT

Piedi di livellamento / Leveling feet / Nivellierfüße

On request vulcanized rubber can be provided  
white or blue and spindle can be made in AISI 316.

**Materiale / Material / Materialien:**

Base, stelo e rondella: Acciaio inox  
Base plate, spindle and washer: Stainless steel  
Fussplatte, Spindel und Scheibe: Edelstahl



## Ø 60

DIAMETER (mm)

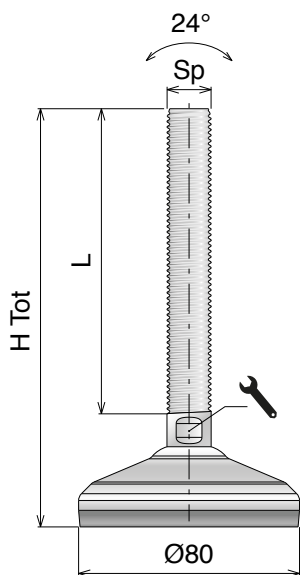


ANTI-SLIP



SLIT VERSION

Art-Nr.	Sp	H Tot (mm)	L (mm)	Wrench (mm)	Load (N)
901353	M10	89	50,5	8	3.000
901354		119	80,5	8	
901355		149	110,5	8	
901356	M12	89	50,8	10	4.500
901357		119	80,8	10	
901358		149	110,8	10	
901359		179	140,8	10	
901360	M16	89	51,3	13	4.500
901361		119	81,3	13	
901362		149	111,3	13	
901363		179	141,3	13	
901364		229	191,3	13	
901365	M20	89	52,3	17	4.500
901366		119	82,3	17	
901367		149	112,3	17	
901368		179	142,3	17	
901369		229	192,3	17	
901370		289	252,3	17	



## Ø 80

DIAMETER (mm)



ANTI-SLIP



SLIT VERSION

Art-Nr.	Sp	H Tot (mm)	L (mm)	Wrench (mm)	Load (N)
901371	M12	94	50,8	10	12.000
901372		124	80,8	10	
901373		154	110,8	10	
901374		184	140,8	10	
901375	M16	94	51,3	13	15.000
901376		124	81,3	13	
901377		154	111,3	13	
901378		184	141,3	13	
901379		234	191,3	13	
901380	M20	94	52,3	17	15.000
901381		124	82,3	17	
901382		154	112,3	17	
901383		184	142,3	17	
901384		234	192,3	17	
901385		294	252,3	17	
901386	M24	125	76	19	15.000
901387		155	106	19	
901388		185	136	19	
901389		235	186	19	
901390		295	246	19	
901391	M30	155	106	24	15.000
901392		185	136	24	
901393		235	186	24	
901394		295	246	24	
901395		345	296	24	

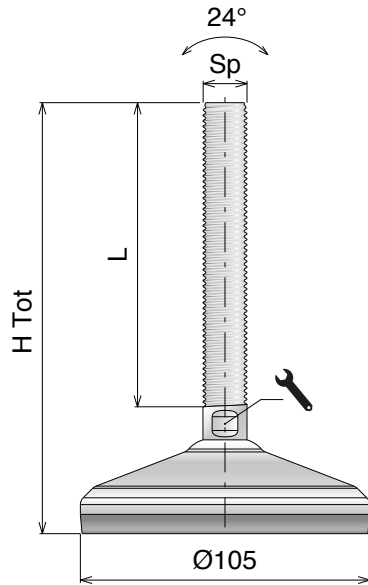
**Materiale / Material / Materialien:**

Base, stelo e rondella: Acciaio inox  
 Base plate, spindle and washer: Stainless steel  
 Fussplatte, Spindel und Scheibe: Edelstahl

On request vulcanized rubber can be provided  
 white or blue and spindle can be made in AISI 316.

# S400 SPLIT

Piedi di livellamento / Leveling feet / Nivellierfüße

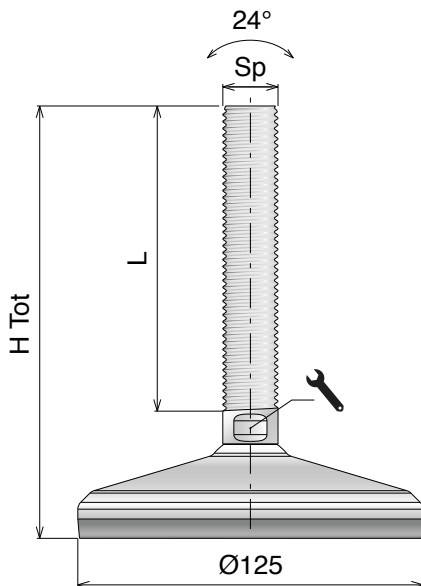


## Ø 105

DIAMETER (mm)



Art-Nr.	Sp	H Tot (mm)	L (mm)	Wrench (mm)	Load (N)
901396	M16	99	51,3	13	25.000
901397		129	81,3	13	
901398		159	111,3	13	
901399		189	141,3	13	
901400		239	191,3	13	
901401	M20	99	52,3	17	25.000
901402		129	82,3	17	
901403		159	112,3	17	
901404		189	142,3	17	
901405		239	192,3	17	
901406		299	252,3	17	
901407	M24	130	76	19	25.000
901408		160	106	19	
901409		190	136	19	
901410		240	186	19	
901411		300	246	19	
901412	M30	160	106	24	25.000
901413		190	136	24	
901414		240	186	24	
901415		300	246	24	
901416		350	296	24	
901417	M36	190	136	30	25.000
901418		240	186	30	
901419		300	246	30	
901420		350	296	30	



## Ø 125

DIAMETER (mm)



Art-Nr.	Sp	H Tot (mm)	L (mm)	Wrench (mm)	Load (N)
901421	M20	99	52,3	17	30.000
901422		129	82,3	17	
901423		159	112,3	17	
901424		189	142,3	17	
901425		239	192,3	17	
901426		299	252,3	17	
901427	M24	130	76	19	30.000
901428		160	106	19	
901429		190	136	19	
901430		240	186	19	
901431		300	246	19	
901432	M30	160	106	24	30.000
901433		190	136	24	
901434		240	186	24	
901435		300	246	24	
901436		350	296	24	
901437	M36	190	136	30	30.000
901438		240	186	30	
901439		300	246	30	
901440		350	296	30	

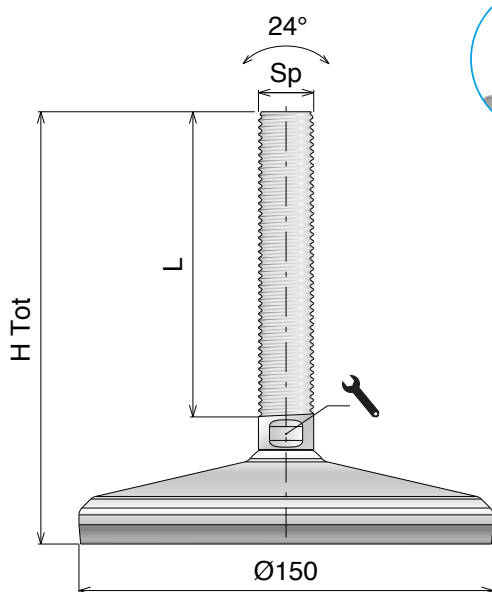
# S400 SPLIT

Piedi di livellamento / Leveling feet / Nivellierfüße

On request vulcanized rubber can be provided  
white or blue and spindle can be made in AISI 316.

## Materiale / Material / Materialien:

Base, stelo e rondella: Acciaio inox  
Base plate, spindle and washer: Stainless steel  
Fussplatte, Spindel und Scheibe: Edelstahl



## Ø 150

DIAMETER (mm)



ANTI-SLIP



SLIT VERSION

Art-Nr.	Sp	H Tot (mm)	L (mm)	Wrench (mm)	Load (N)
901441	M20	99	52,3	17	45.000
901442		129	82,3	17	
901443		159	112,3	17	
901444		189	142,3	17	
901445		239	192,3	17	
901446		299	252,3	17	
901447	M24	130	76	19	45.000
901448		160	106	19	
901449		190	136	19	
901450		240	186	19	
901451		300	246	19	
901452	M30	160	106	24	45.000
901453		190	136	24	
901454		240	186	24	
901455		300	246	24	
901456		350	296	24	
901457	M36	190	136	30	45.000
901458		240	186	30	
901459		300	246	30	
901460		350	296	30	



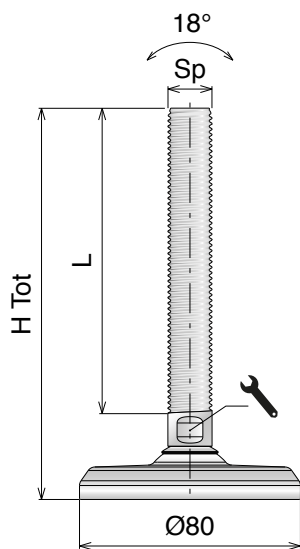
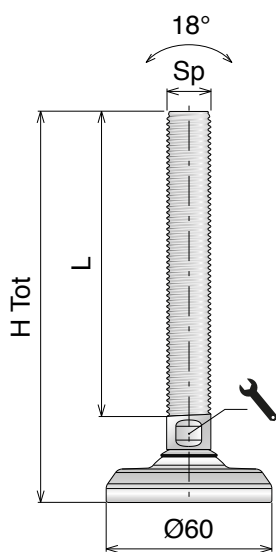
**Materiale / Material / Materialien:**

Base, stelo e rondella: Acciaio inox  
 Base plate, spindle and washer: Stainless steel  
 Fussplatte, Spindel und Scheibe: Edelstahl

On request spindle can be made in AISI 316.

# S400 HEAVY

Piedi di livellamento / Leveling feet / Nivellierfüße



## Ø60

DIAMETER (mm)



HIGH LOAD

Art-Nr.	Sp	H Tot (mm)	L (mm)	Wrench (mm)	Load (N)
901461	M10	82,5	50,5	7	3.000
901462		112,5	80,5	7	
901463		142,5	110,5	7	
901464	M12	82,5	50,8	10	12.000
901465		112,5	80,8	10	
901466		142,5	110,8	10	
901467		172,5	140,8	10	
901468	M16	82,5	51,3	13	30.000
901469		112,5	81,3	13	
901470		142,5	111,3	13	
901471		172,5	141,3	13	
901472		222,5	191,3	13	
901473	M20	82,5	52,3	17	45.000
901474		112,5	82,3	17	
901475		142,5	112,3	17	
901476		172,5	142,3	17	
901477		222,5	192,3	17	
901478		282,5	252,3	17	

## Ø80

DIAMETER (mm)



HIGH LOAD

Art-Nr.	Sp	H Tot (mm)	L (mm)	Wrench (mm)	Load (N)
901479	M12	82,5	50,8	10	12.000
901480		112,5	80,8	10	
901481		142,5	110,8	10	
901482		172,5	140,8	10	
901483	M16	82,5	51,3	13	30.000
901484		112,5	81,3	13	
901485		142,5	111,3	13	
901486		172,5	141,3	13	
901487		222,5	191,3	13	
901488	M20	82,5	52,3	17	45.000
901489		112,5	82,3	17	
901490		142,5	112,3	17	
901491		172,5	142,3	17	
901492		222,5	192,3	17	
901493		282,5	252,3	17	
901494	M24	112,5	76	19	70.000
901495		142,5	106	19	
901496		172,5	136	19	
901497		222,5	186	19	
901498		282,5	246	19	
901499	M30	142,5	106	24	80.000
901500		172,5	136	24	
901501		222,5	186	24	
901502		282,5	246	24	
901503		332,5	296	24	

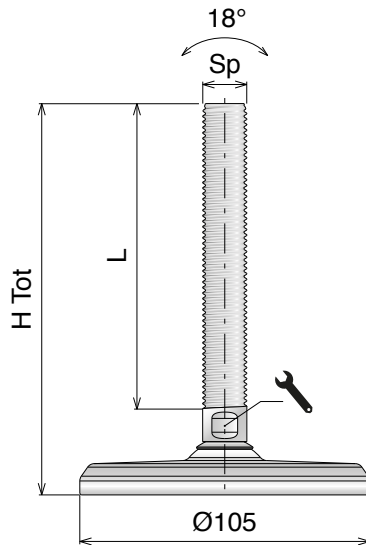
# S400 HEAVY

Piedi di livellamento / Leveling feet / Nivellierfüße

On request spindle can be made in AISI 316.

**Materiale / Material / Materialien:**

Base, stelo e rondella: Acciaio inox  
Base plate, spindle and washer: Stainless steel  
Fussplatte, Spindel und Scheibe: Edelstahl



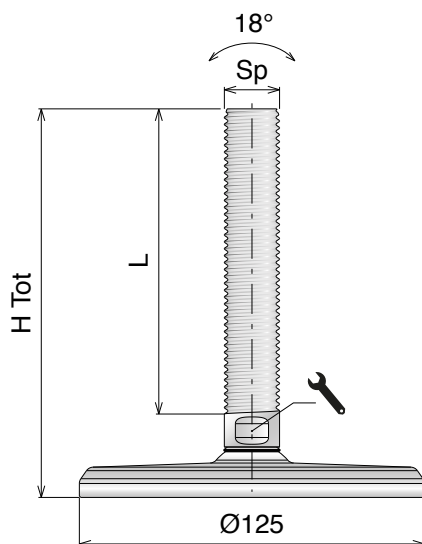
## Ø105

DIAMETER (mm)



HIGH LOAD

Art-Nr.	Sp	H Tot (mm)	L (mm)	Wrench (mm)	Load (N)
901504	M16	82,5	51,3	13	30.000
901505		112,5	81,3	13	
901506		142,5	111,3	13	
901507		172,5	141,3	13	
901508		222,5	191,3	13	
901509	M20	82,5	52,3	17	45.000
901510		112,5	82,3	17	
901511		142,5	112,3	17	
901512		172,5	142,3	17	
901513		222,5	192,3	17	
901514	282,5	252,3	17		
901515	M24	112,5	76	19	70.000
901516		142,5	106	19	
901517		172,5	136	19	
901518		222,5	186	19	
901519		282,5	246	19	
901520	M30	142,5	106	24	100.000
901521		172,5	136	24	
901522		222,5	186	24	
901523		282,5	246	24	
901524		332,5	296	24	
901525	M36	172,5	136	30	120.000
901526		222,5	186	30	
901527		282,5	246	30	
901528		332,5	296	30	



## Ø125

DIAMETER (mm)



HIGH LOAD

Art-Nr.	Sp	H Tot (mm)	L (mm)	Wrench (mm)	Load (N)
901529	M20	82,5	52,3	17	45.000
901530		112,5	82,3	17	
901531		142,5	112,3	17	
901532		172,5	142,3	17	
901533		222,5	192,3	17	
901534	282,5	252,3	17		
901535	M24	112,5	76	19	70.000
901536		142,5	106	19	
901537		172,5	136	19	
901538		222,5	186	19	
901539		282,5	246	19	
901540	M30	142,5	106	24	100.000
901541		172,5	136	24	
901542		222,5	186	24	
901543		282,5	246	24	
901544		332,5	296	24	
901545	M36	172,5	136	30	130.000
901546		222,5	186	30	
901547		282,5	246	30	
901548		332,5	296	30	

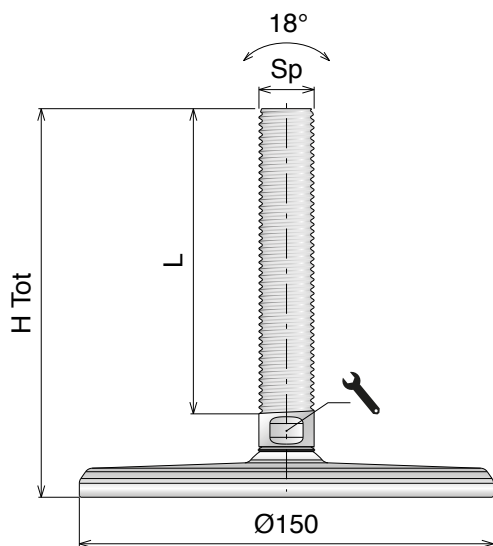
**Materiale / Material / Materialien:**

Base, stelo e rondella: Acciaio inox  
 Base plate, spindle and washer: Stainless steel  
 Fussplatte, Spindel und Scheibe: Edelstahl

On request vulcanized rubber can be provided  
 white or blue and spindle can be made in AISI 316.

# S400 HEAVY

Piedi di livellamento / Leveling feet / Nivellierfüße



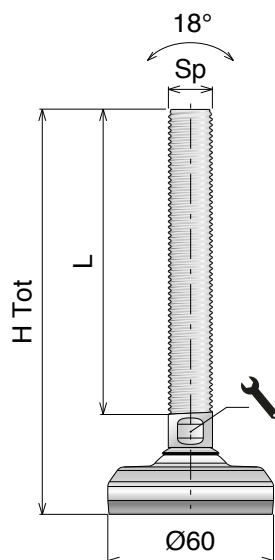
## Ø 150

DIAMETER (mm)



HIGH LOAD

Art-Nr.	Sp	H Tot (mm)	L (mm)	Wrench (mm)	Load (N)
901549	M20	82,5	52,3	17	45.000
901550		112,5	82,3	17	
901551		142,5	112,3	17	
901552		172,5	142,3	17	
901553		222,5	192,3	17	
901554		282,5	252,3	17	
901555	M24	112,5	76	19	70.000
901556		142,5	106	19	
901557		172,5	136	19	
901558		222,5	186	19	
901559		282,5	246	19	
901560	M30	142,5	106	24	100.000
901561		172,5	136	24	
901562		222,5	186	24	
901563		282,5	246	24	
901564		332,5	296	24	
901565	M36	172,5	136	30	150.000
901566		222,5	186	30	
901567		282,5	246	30	
901568		332,5	296	30	



## Ø 60

DIAMETER (mm)



HIGH LOAD



ANTI-SLIP

Art-Nr.	Sp	H Tot (mm)	L (mm)	Wrench (mm)	Load (N)
901569	M10	87,5	50,5	7	3.000
901570		117,5	80,5	7	
901571		147,5	110,5	7	
901572	M12	88,5	50,8	10	12.000
901573		118,5	80,8	10	
901574		148,5	110,8	10	
901575		178,5	140,8	10	
901576	M16	88,5	51,3	13	30.000
901577		118,5	81,3	13	
901578		148,5	111,3	13	
901579		178,5	141,3	13	
901580		228,5	191,3	13	
901581		M20	88,5	52,3	
901582	118,5		82,3	17	
901583	148,5		112,3	17	
901584	178,5		142,3	17	
901585	228,5		192,3	17	
901586	288,5		252,3	17	

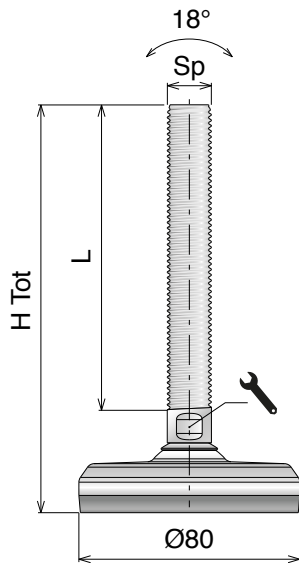
# S400 HEAVY

Piedi di livellamento / Leveling feet / Nivellierfüße

On request vulcanized rubber can be provided  
white or blue and spindle can be made in AISI 316.

**Materiale / Material / Materialien:**

Base, stelo e rondella: Acciaio inox  
Base plate, spindle and washer: Stainless steel  
Fussplatte, Spindel und Scheibe: Edelstahl



## Ø 80

DIAMETER (mm)

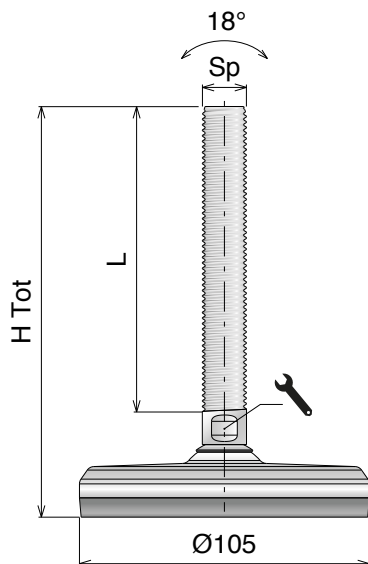


HIGH LOAD



ANTI-SLIP

Art-Nr.	Sp	H Tot (mm)	L (mm)	Wrench (mm)	Load (N)
901587	M12	88,5	50,8	10	12.000
901588		118,5	80,8	10	
901589		148,5	110,8	10	
901590		178,5	140,8	10	
901591	M16	88,5	51,3	13	30.000
901592		118,5	81,3	13	
901593		148,5	111,3	13	
901594		178,5	141,3	13	
901595		228,5	191,3	13	
901596	M20	88,5	52,3	17	45.000
901597		118,5	82,3	17	
901598		148,5	112,3	17	
901599		178,5	142,3	17	
901600		228,5	192,3	17	
901601		288,5	252,3	17	
901602	M24	118,5	76	19	70.000
901603		148,5	106	19	
901604		178,5	136	19	
901605		228,5	186	19	
901606		288,5	246	19	
901607	M30	148,5	106	24	80.000
901608		178,5	136	24	
901609		228,5	186	24	
901610		288,5	246	24	
901611		338,5	296	24	



## Ø 105

DIAMETER (mm)



HIGH LOAD



ANTI-SLIP

Art-Nr.	Sp	H Tot (mm)	L (mm)	Wrench (mm)	Load (N)
901612	M16	88,5	51,3	13	30.000
901613		118,5	81,3	13	
901614		148,5	111,3	13	
901615		178,5	141,3	13	
901616		228,5	191,3	13	
901617	M20	88,5	52,3	17	45.000
901618		118,5	82,3	17	
901619		148,5	112,3	17	
901620		178,5	142,3	17	
901621		228,5	192,3	17	
901622		288,5	252,3	17	
901623	M24	118,5	76	19	70.000
901624		148,5	106	19	
901625		178,5	136	19	
901626		228,5	186	19	
901627		288,5	246	19	
901628	M30	148,5	106	24	100.000
901629		178,5	136	24	
901630		228,5	186	24	
901631		288,5	246	24	
901632		338,5	296	24	
901633	M36	178,5	136	30	120.000
901634		228,5	186	30	
901635		288,5	246	30	
901636		338,5	296	30	

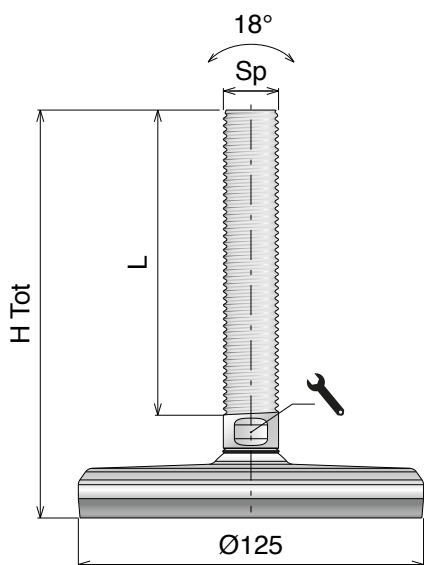
**Materiale / Material / Materialien:**

Base, stelo e rondella: Acciaio inox  
 Base plate, spindle and washer: Stainless steel  
 Fussplatte, Spindel und Scheibe: Edelstahl

On request vulcanized rubber can be provided  
 white or blue and spindle can be made in AISI 316.

# S400 HEAVY

Piedi di livellamento / Leveling feet / Nivellierfüße



Ø 125

DIAMETER (mm)

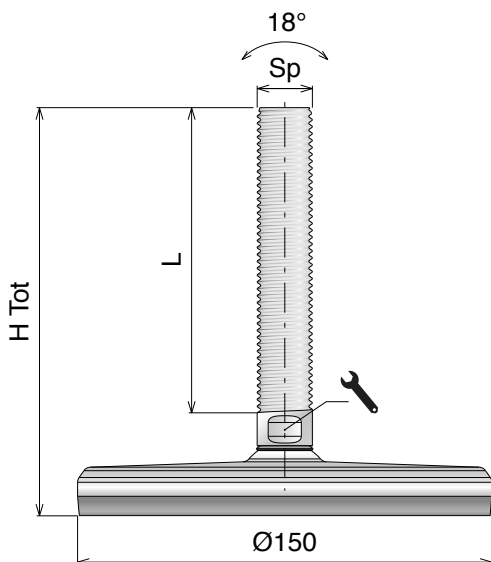


HIGH LOAD



ANTI-SLIP

Art-Nr.	Sp	H Tot (mm)	L (mm)	Wrench (mm)	Load (N)
901637	M20	88,5	52,3	17	45.000
901638		118,5	82,3	17	
901639		148,5	112,3	17	
901640		178,5	142,3	17	
901641		228,5	192,3	17	
901642		288,5	252,3	17	
901643	M24	118,5	76	19	70.000
901644		148,5	106	19	
901645		178,5	136	19	
901646		228,5	186	19	
901647		288,5	246	19	
901648	M30	148,5	106	24	100.000
901649		178,5	136	24	
901650		228,5	186	24	
901651		288,5	246	24	
901652		338,5	296	24	
901653	M36	178,5	136	30	130.000
901654		228,5	186	30	
901655		288,5	246	30	
901656		338,5	296	30	



Ø 150

DIAMETER (mm)



HIGH LOAD



ANTI-SLIP

Art-Nr.	Sp	H Tot (mm)	L (mm)	Wrench (mm)	Load (N)
901657	M20	88,5	52,3	17	45.000
901658		118,5	82,3	17	
901659		148,5	112,3	17	
901660		178,5	142,3	17	
901661		228,5	192,3	17	
901662		288,5	252,3	17	
901663	M24	118,5	76	19	70.000
901664		148,5	106	19	
901665		178,5	136	19	
901666		228,5	186	19	
901667		288,5	246	19	
901668	M30	148,5	106	24	100.000
901669		178,5	136	24	
901670		228,5	186	24	
901671		288,5	246	24	
901672		338,5	296	24	
901673	M36	178,5	136	30	150.000
901674		228,5	186	30	
901675		288,5	246	30	
901676		338,5	296	30	

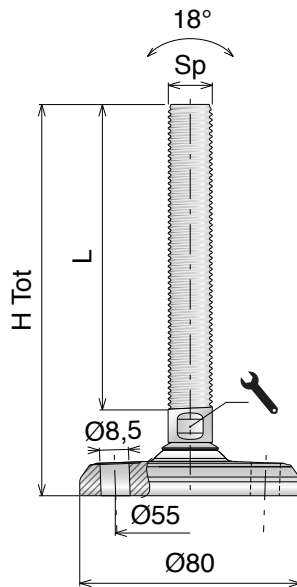
# S400 HEAVY

Piedi di livellamento / Leveling feet / Nivellierfüße

On request spindle can be made in AISI 316.

**Materiale / Material / Materialien:**

Base, stelo e rondella: Acciaio inox  
Base plate, spindle and washer: Stainless steel  
Fussplatte, Spindel und Scheibe: Edelstahl



## Ø80

DIAMETER (mm)

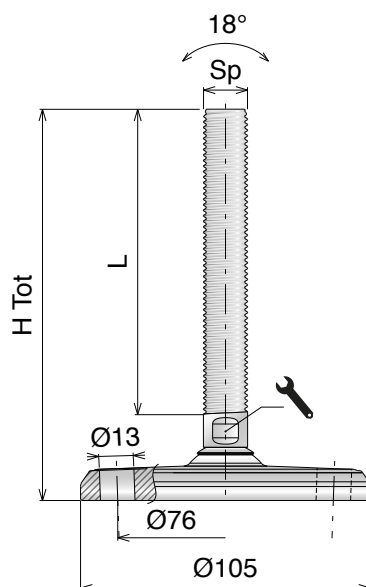


HIGH LOAD



FIXING POINT

Art-Nr.	Sp	H Tot (mm)	L (mm)	Wrench (mm)	Load (N)
901695	M12	82,5	50,8	10	12.000
901696		112,5	80,8	10	
901697		142,5	110,8	10	
901698		172,5	140,8	10	
901699	M16	82,5	51,3	13	30.000
901700		112,5	81,3	13	
901701		142,5	111,3	13	
901702		172,5	141,3	13	
901703		222,5	191,3	13	
901704	M20	82,5	52,3	17	45.000
901705		112,5	82,3	17	
901706		142,5	112,3	17	
901707		172,5	142,3	17	
901708		222,5	192,3	17	
901709		282,5	252,3	17	
901710	M24	112,5	76	19	70.000
901711		142,5	106	19	
901712		172,5	136	19	
901713		222,5	186	19	
901714		282,5	246	19	
901715	M30	142,5	106	24	80.000
901716		172,5	136	24	
901717		222,5	186	24	
901718		282,5	246	24	
901719		332,5	296	24	



## Ø105

DIAMETER (mm)



HIGH LOAD



FIXING POINT

Art-Nr.	Sp	H Tot (mm)	L (mm)	Wrench (mm)	Load (N)
901720	M16	82,5	51,3	13	30.000
901721		112,5	81,3	13	
901722		142,5	111,3	13	
901723		172,5	141,3	13	
901724		222,5	191,3	13	
901725	M20	82,5	52,3	17	45.000
901726		112,5	82,3	17	
901727		142,5	112,3	17	
901728		172,5	142,3	17	
901729		222,5	192,3	17	
901730		282,5	252,3	17	
901731	M24	112,5	76	19	70.000
901732		142,5	106	19	
901733		172,5	136	19	
901734		222,5	186	19	
901735		282,5	246	19	
901736	M30	142,5	106	24	100.000
901737		172,5	136	24	
901738		222,5	186	24	
901739		282,5	246	24	
901740		332,5	296	24	
901741	M36	172,5	136	30	120.000
901742		222,5	186	30	
901743		282,5	246	30	
901744		332,5	296	30	

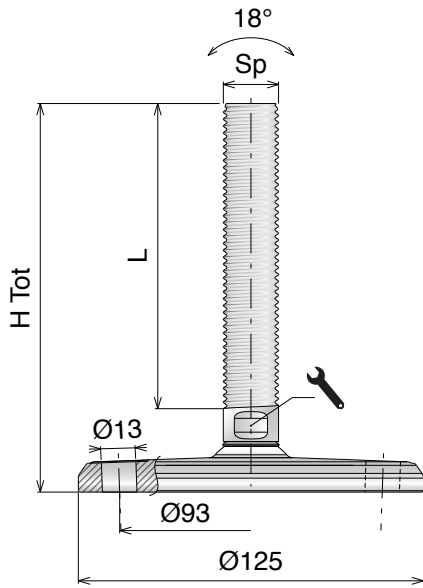
**Materiale / Material / Materialien:**

Base, stelo e rondella: Acciaio inox  
 Base plate, spindle and washer: Stainless steel  
 Fussplatte, Spindel und Scheibe: Edelstahl

On request spindle can be made in AISI 316.

# S400 HEAVY

Piedi di livellamento / Leveling feet / Nivellierfüße



## Ø 125

DIAMETER (mm)

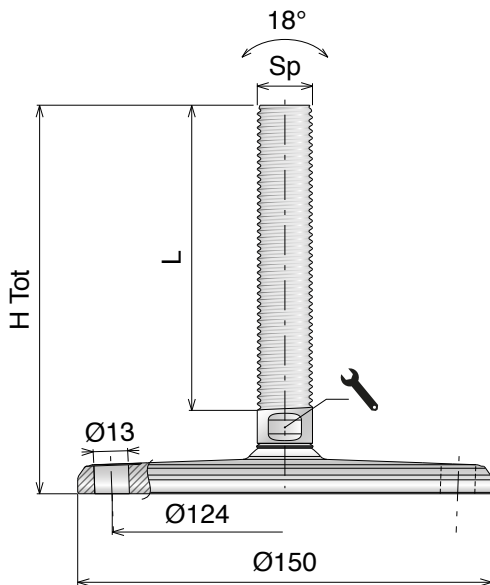


HIGH LOAD



FIXING POINT

Art-Nr.	Sp	H Tot (mm)	L (mm)	Washer (mm)	Load (N)
901745	M20	82,5	52,3	17	45.000
901746		112,5	82,3	17	
901747		142,5	112,3	17	
901748		172,5	142,3	17	
901749		222,5	192,3	17	
901750		282,5	252,3	17	
901751	M24	112,5	76	19	70.000
901752		142,5	106	19	
901753		172,5	136	19	
901754		222,5	186	19	
901755		282,5	246	19	
901756	M30	142,5	106	24	100.000
901757		172,5	136	24	
901758		222,5	186	24	
901759		282,5	246	24	
901760		332,5	296	24	
901761	M36	172,5	136	30	130.000
901762		222,5	186	30	
901763		282,5	246	30	
901764		332,5	296	30	



## Ø 150

DIAMETER (mm)



HIGH LOAD



FIXING POINT

Art-Nr.	Sp	H Tot (mm)	L (mm)	Washer (mm)	Load (N)
901765	M20	82,5	52,3	17	45.000
901766		112,5	82,3	17	
901767		142,5	112,3	17	
901768		172,5	142,3	17	
901769		222,5	192,3	17	
901770		282,5	252,3	17	
901771	M24	112,5	76	19	70.000
901772		142,5	106	19	
901773		172,5	136	19	
901774		222,5	186	19	
901775		282,5	246	19	
901776	M30	142,5	106	24	100.000
901777		172,5	136	24	
901778		222,5	186	24	
901779		282,5	246	24	
901780		332,5	296	24	
901781	M36	172,5	136	30	150.000
901782		222,5	186	30	
901783		282,5	246	30	
901784		332,5	296	30	

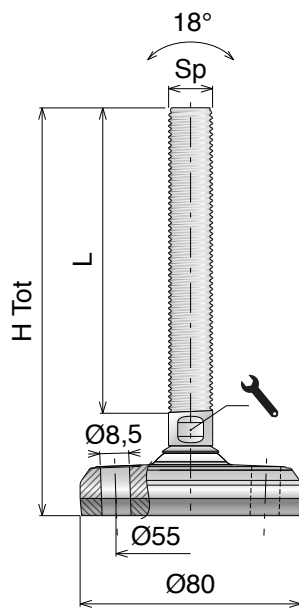
# S400 HEAVY

Piedi di livellamento / Leveling feet / Nivellierfüße

On request vulcanized rubber can be provided  
white or blue and spindle can be made in AISI 316.

**Materiale / Material / Materialien:**

Base, stelo e rondella: Acciaio inox  
Base plate, spindle and washer: Stainless steel  
Fussplatte, Spindel und Scheibe: Edelstahl



## Ø 80

DIAMETER (mm)



HIGH LOAD

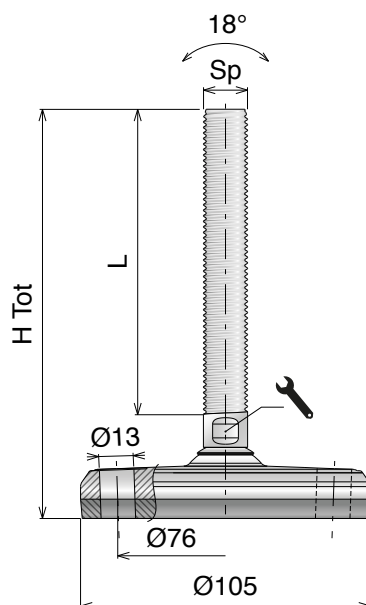


FIXING POINT



ANTI-SLIP

Art-Nr.	Sp	H Tot (mm)	L (mm)	Wrench (mm)	Load (N)
901803	M12	88,5	50,8	10	12.000
901804		118,5	80,8	10	
901805		148,5	110,8	10	
901806		178,5	140,8	10	
901807	M16	88,5	51,3	13	30.000
901808		118,5	81,3	13	
901809		148,5	111,3	13	
901810		178,5	141,3	13	
901811		228,5	191,3	13	
901812	M20	88,5	52,3	17	45.000
901813		118,5	82,3	17	
901814		148,5	112,3	17	
901815		178,5	142,3	17	
901816		228,5	192,3	17	
901817		288,5	252,3	17	
901818	M24	118,5	76	19	70.000
901819		148,5	106	19	
901820		178,5	136	19	
901821		228,5	186	19	
901822		288,5	246	19	
901823	M30	148,5	106	24	80.000
901824		178,5	136	24	
901825		228,5	186	24	
901826		288,5	246	24	
901827		338,5	296	24	



## Ø 105

DIAMETER (mm)



HIGH LOAD



FIXING POINT



ANTI-SLIP

Art-Nr.	Sp	H Tot (mm)	L (mm)	Wrench (mm)	Load (N)
901828	M16	88,5	51,3	13	30.000
901829		118,5	81,3	13	
901830		148,5	111,3	13	
901831		178,5	141,3	13	
901832		228,5	191,3	13	
901833	M20	88,5	52,3	17	45.000
901834		118,5	82,3	17	
901835		148,5	112,3	17	
901836		178,5	142,3	17	
901837		228,5	192,3	17	
901838		288,5	252,3	17	
901839	M24	118,5	76	19	70.000
901840		148,5	106	19	
901841		178,5	136	19	
901842		228,5	186	19	
901843		288,5	246	19	
901844	M30	148,5	106	24	100.000
901845		178,5	136	24	
901846		228,5	186	24	
901847		288,5	246	24	
901848		338,5	296	24	
901849	M36	178,5	136	30	120.000
901850		228,5	186	30	
901851		288,5	246	30	
901852		338,5	296	30	



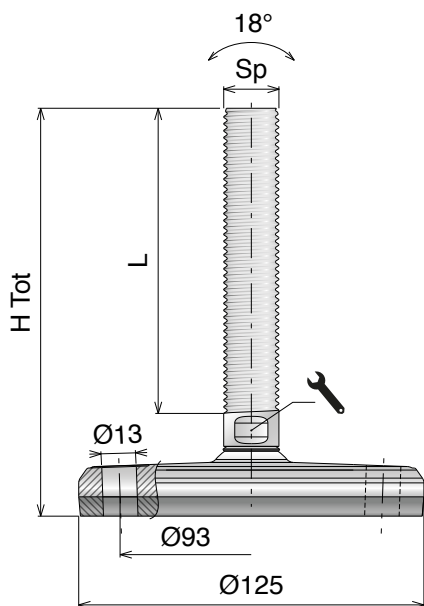
**Materiale / Material / Materialien:**

Base, stelo e rondella: Acciaio inox  
 Base plate, spindle and washer: Stainless steel  
 Fussplatte, Spindel und Scheibe: Edelstahl

On request vulcanized rubber can be provided  
 white or blue and spindle can be made in AISI 316.

# S400 HEAVY

Piedi di livellamento / Leveling feet / Nivellierfüße



**Ø 125**

DIAMETER (mm)



HIGH LOAD

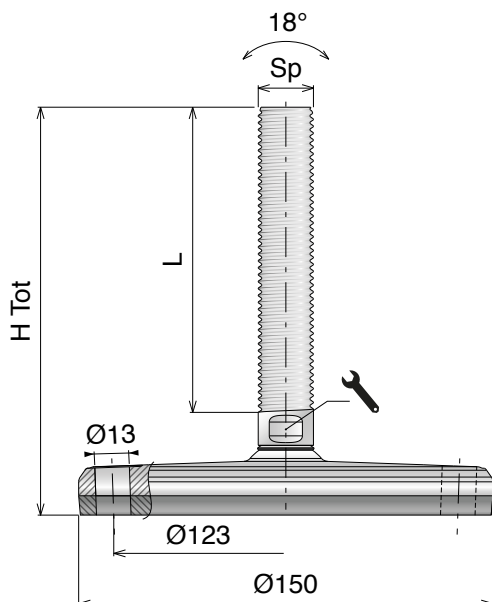


FIXING POINT



ANTI-SLIP

Art-Nr.	Sp	H Tot (mm)	L (mm)	Wrench (mm)	Load (N)
901853	M20	88,5	52,3	17	45.000
901854		118,5	82,3	17	
901855		148,5	112,3	17	
901856		178,5	142,3	17	
901857		228,5	192,3	17	
901858		288,5	252,3	17	
901859	M24	118,5	76	19	70.000
901860		148,5	106	19	
901861		178,5	136	19	
901862		228,5	186	19	
901863		288,5	246	19	
901864	M30	148,5	106	24	100.000
901865		178,5	136	24	
901866		228,5	186	24	
901867		288,5	246	24	
901868		338,5	296	24	
901869	M36	178,5	136	30	130.000
901870		228,5	186	30	
901871		288,5	246	30	
901872		338,5	296	30	



**Ø 150**

DIAMETER (mm)



HIGH LOAD



FIXING POINT



ANTI-SLIP

Art-Nr.	Sp	H Tot (mm)	L (mm)	Wrench (mm)	Load (N)
901873	M20	88,5	52,3	17	45.000
901874		118,5	82,3	17	
901875		148,5	112,3	17	
901876		178,5	142,3	17	
901877		228,5	192,3	17	
901878		288,5	252,3	17	
901879	M24	118,5	76	19	70.000
901880		148,5	106	19	
901881		178,5	136	19	
901882		228,5	186	19	
901883		288,5	246	19	
901884	M30	148,5	106	24	100.000
901885		178,5	136	24	
901886		228,5	186	24	
901887		288,5	246	24	
901888		338,5	296	24	
901889	M36	178,5	136	30	150.000
901890		228,5	186	30	
901891		288,5	246	30	
901892		338,5	296	30	

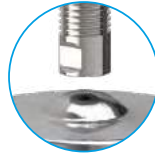
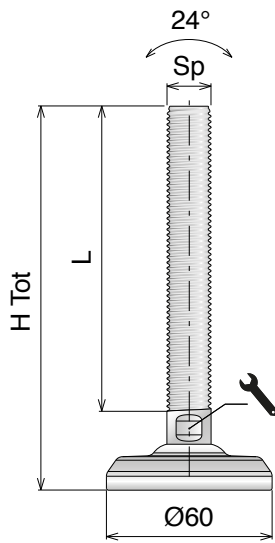
# S400 HEAVY-SPLIT

Piedi di livellamento / Leveling feet / Nivellierfüße

On request spindle can be made in AISI 316.

Material / Material / Materialien:

Base e stelo: Acciaio inox  
Base plate and spindle: Stainless steel  
Fussplatte und Spindel: Edelstahl



## Ø 60

DIAMETER (mm)

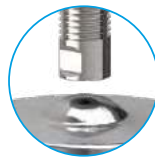
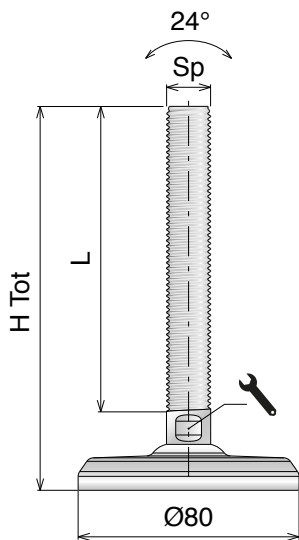


HIGH LOAD



SLIT VERSION

Art-Nr.	Sp	H Tot (mm)	L (mm)	Wrench (mm)	Load (N)
901893	M10	81,5	50,5	7	3.000
901894		111,5	80,5	7	
901895		141,5	110,5	7	
901896	M12	81,5	50,8	10	12.000
901897		111,5	80,8	10	
901898		141,5	110,8	10	
901899		171,5	140,8	10	
901900	M16	81,5	51,3	13	30.000
901901		111,5	81,3	13	
901902		141,5	111,3	13	
901903		171,5	141,3	13	
901904		221,5	191,3	13	
901905	M20	81,5	52,3	17	45.000
901906		111,5	82,3	17	
901907		141,5	112,3	17	
901908		171,5	142,3	17	
901909		221,5	192,3	17	
901910		281,5	252,3	17	



## Ø 80

DIAMETER (mm)



HIGH LOAD



SLIT VERSION

Art-Nr.	Sp	H Tot (mm)	L (mm)	Wrench (mm)	Load (N)
901911	M12	81,5	50,8	10	12.000
901912		111,5	80,8	10	
901913		141,5	110,8	10	
901914		171,5	140,8	10	
901915	M16	81,5	51,3	13	30.000
901916		111,5	81,3	13	
901917		141,5	111,3	13	
901918		171,5	141,3	13	
901919		221,5	191,3	13	
901920	M20	81,5	52,3	17	45.000
901921		111,5	82,3	17	
901922		141,5	112,3	17	
901923		171,5	142,3	17	
901924		221,5	192,3	17	
901925		281,5	252,3	17	
901926	M24	111,5	76	19	70.000
901927		141,5	106	19	
901928		171,5	136	19	
901929		221,5	186	19	
901930		281,5	246	19	
901931	M30	141,5	106	24	80.000
901932		171,5	136	24	
901933		221,5	186	24	
901934		281,5	246	24	
901935		331,5	296	24	

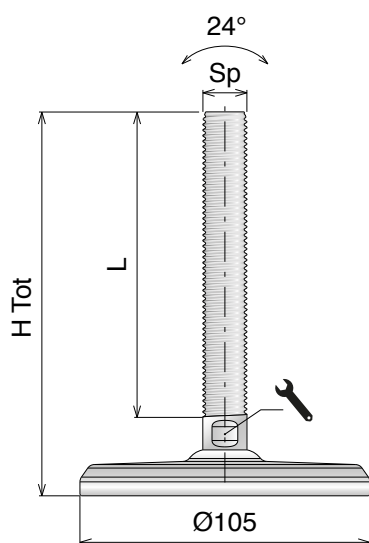
**Materiale / Material / Materialien:**

Base e stelo: Acciaio inox  
 Base plate and spindle: Stainless steel  
 Fussplatte und Spindel: Edelstahl

On request spindle can be made in AISI 316.

# S400 HEAVY-SPLIT

Piedi di livellamento / Leveling feet / Nivellierfüße



## Ø 105

DIAMETER (mm)

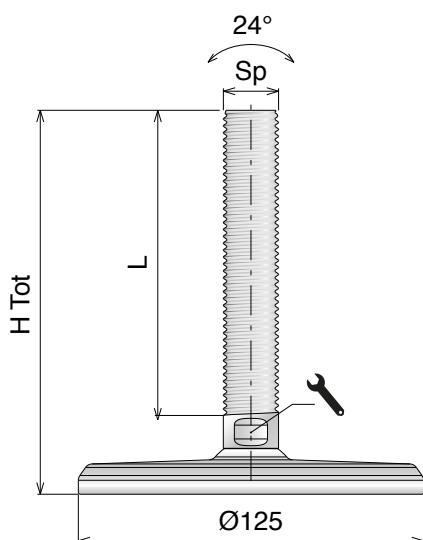


HIGH LOAD



SLIT VERSION

Art-Nr.	Sp	H Tot (mm)	L (mm)	Wrench (mm)	Load (N)
901936	M16	81,5	51,3	13	30.000
901937		111,5	81,3	13	
901938		141,5	111,3	13	
901939		171,5	141,3	13	
901940		221,5	191,3	13	
901941	M20	81,5	52,3	17	45.000
901942		111,5	82,3	17	
901943		141,5	112,3	17	
901944		171,5	142,3	17	
901945		221,5	192,3	17	
901946		281,5	252,3	17	
901947	M24	111,5	76	19	70.000
901948		141,5	106	19	
901949		171,5	136	19	
901950		221,5	186	19	
901951		281,5	246	19	
901952	M30	141,5	106	24	100.000
901953		171,5	136	24	
901954		221,5	186	24	
901955		281,5	246	24	
901956		331,5	296	24	
901957	M36	171,5	136	30	120.000
901958		221,5	186	30	
901959		281,5	246	30	
901960		331,5	296	30	



## Ø 125

DIAMETER (mm)



HIGH LOAD



SLIT VERSION

Art-Nr.	Sp	H Tot (mm)	L (mm)	Wrench (mm)	Load (N)
901961	M20	81,5	52,3	17	45.000
901962		111,5	82,3	17	
901963		141,5	112,3	17	
901964		171,5	142,3	17	
901965		221,5	192,3	17	
901966		281,5	252,3	17	
901967	M24	111,5	76	19	70.000
901968		141,5	106	19	
901969		171,5	136	19	
901970		221,5	186	19	
901971		281,5	246	19	
901972	M30	141,5	106	24	100.000
901973		171,5	136	24	
901974		221,5	186	24	
901975		281,5	246	24	
901976		331,5	296	24	
901977	M36	171,5	136	30	130.000
901978		221,5	186	30	
901979		281,5	246	30	
901980		331,5	296	30	

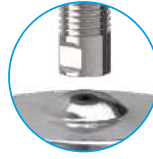
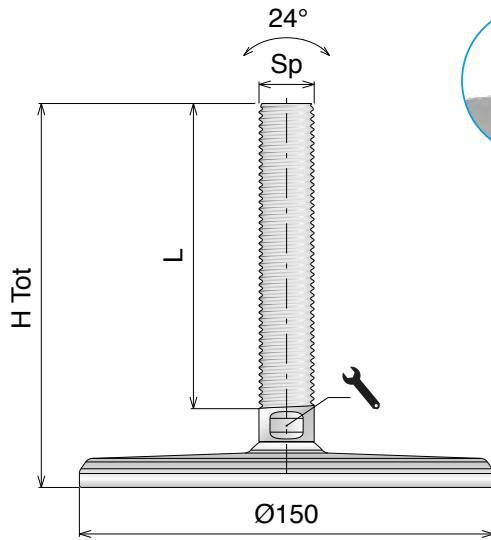
# S400 HEAVY-SPLIT

Piedi di livellamento / Leveling feet / Nivellierfüße

On request vulcanized rubber can be provided  
white or blue and spindle can be made in AISI 316.

**Materiale / Material / Materialien:**

Base e stelo: Acciaio inox  
Base plate and spindle: Stainless steel  
Fussplatte und Spindel: Edelstahl



## Ø 150

DIAMETER (mm)

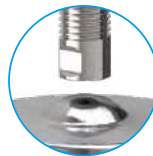
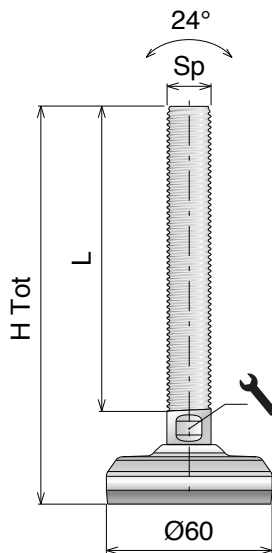


HIGH LOAD



SLIT VERSION

Art-Nr.	Sp	H Tot (mm)	L (mm)	Wrench (mm)	Load (N)
901981	M20	81,5	52,3	17	45.000
901982		111,5	82,3	17	
901983		141,5	112,3	17	
901984		171,5	142,3	17	
901985		221,5	192,3	17	
901986		281,5	252,3	17	
901987	M24	111,5	76	19	70.000
901988		141,5	106	19	
901989		171,5	136	19	
901990		221,5	186	19	
901991		281,5	246	19	
901992	M30	141,5	106	24	100.000
901993		171,5	136	24	
901994		221,5	186	24	
901995		281,5	246	24	
901996		331,5	296	24	
901997	M36	171,5	136	30	150.000
901998		221,5	186	30	
901999		281,5	246	30	
902000		331,5	296	30	



## Ø 60

DIAMETER (mm)



HIGH LOAD



SLIT VERSION



ANTI-SLIP

Art-Nr.	Sp	H Tot (mm)	L (mm)	Wrench (mm)	Load (N)
902001	M10	86,5	50,5	7	3.000
902002		116,5	80,5	7	
902003		146,5	110,5	7	
902004	M12	87,5	50,8	10	12.000
902005		117,5	80,8	10	
902006		147,5	110,8	10	
902007		177,5	140,8	10	
902008	M16	87,5	51,3	13	30.000
902009		117,5	81,3	13	
902010		147,5	111,3	13	
902011		177,5	141,3	13	
902012		227,5	191,3	13	
902013	M20	87,5	52,3	17	45.000
902014		117,5	82,3	17	
902015		147,5	112,3	17	
902016		177,5	142,3	17	
902017		227,5	192,3	17	
902018		287,5	252,3	17	

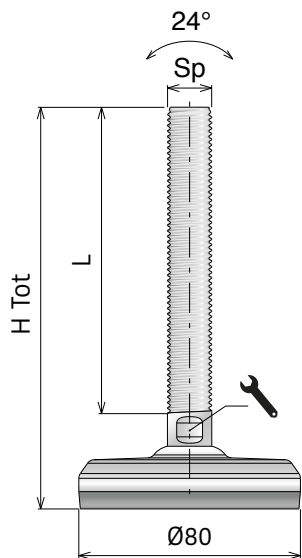
**Materiale / Material / Materialien:**

Base e stelo: Acciaio inox  
 Base plate and spindle: Stainless steel  
 Fussplatte und Spindel: Edelstahl

On request vulcanized rubber can be provided  
 white or blue and spindle can be made in AISI 316.

# S400 HEAVY-SPLIT

Piedi di livellamento / Leveling feet / Nivellierfüße



Ø 80

DIAMETER (mm)



HIGH LOAD

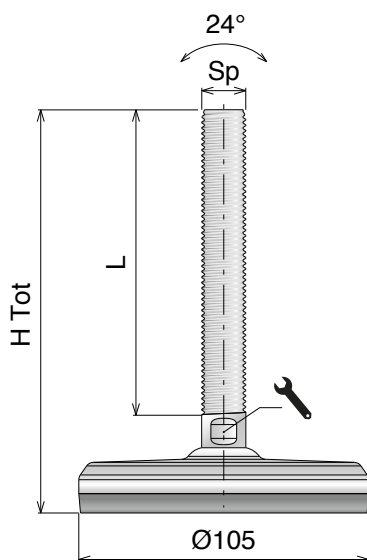


SLIT VERSION



ANTI-SLIP

Art-Nr.	Sp	H Tot (mm)	L (mm)	Wrench (mm)	Load (N)
902019	M12	87,5	50,8	10	12.000
902020		117,5	80,8	10	
902021		147,5	110,8	10	
902022		177,5	140,8	10	
902023	M16	87,5	51,3	13	30.000
902024		117,5	81,3	13	
902025		147,5	111,3	13	
902026		177,5	141,3	13	
902027		227,5	191,3	13	
902028	M20	87,5	52,3	17	45.000
902029		117,5	82,3	17	
902030		147,5	112,3	17	
902031		177,5	142,3	17	
902032		227,5	192,3	17	
902033		287,5	252,3	17	
902034	M24	117,5	76	19	70.000
902035		147,5	106	19	
902036		177,5	136	19	
902037		227,5	186	19	
902038		287,5	246	19	
902039	M30	147,5	106	24	80.000
902040		177,5	136	24	
902041		227,5	186	24	
902042		287,5	246	24	
902043		337,5	296	24	



Ø 105

DIAMETER (mm)



HIGH LOAD



SLIT VERSION



ANTI-SLIP

Art-Nr.	Sp	H Tot (mm)	L (mm)	Wrench (mm)	Load (N)
902044	M16	87,5	51,3	13	30.000
902045		117,5	81,3	13	
902046		147,5	111,3	13	
902047		177,5	141,3	13	
902048		227,5	191,3	13	
902049	M20	87,5	52,3	17	45.000
902050		117,5	82,3	17	
902051		147,5	112,3	17	
902052		177,5	142,3	17	
902053		227,5	192,3	17	
902054		287,5	252,3	17	
902055	M24	117,5	76	19	70.000
902056		147,5	106	19	
902057		177,5	136	19	
902058		227,5	186	19	
902059		287,5	246	19	
902060	M30	147,5	106	24	100.000
902061		177,5	136	24	
902062		227,5	186	24	
902063		287,5	246	24	
902064		337,5	296	24	
902065	M36	177,5	136	30	120.000
902066		227,5	186	30	
902067		287,5	246	30	
902068		337,5	296	30	

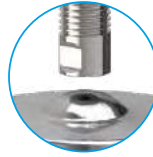
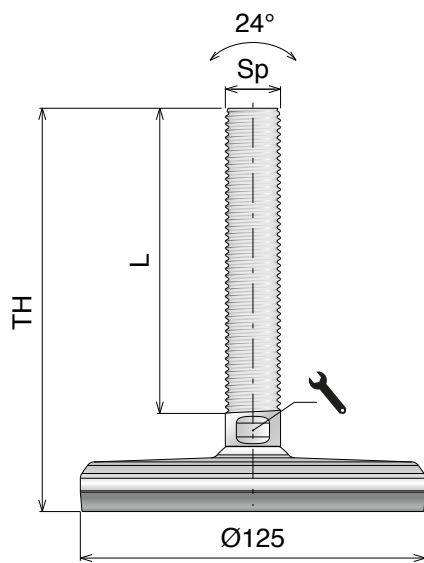
# S400 HEAVY-SPLIT

Piedi di livellamento / Leveling feet / Nivellierfüße

On request vulcanized rubber can be provided  
white or blue and spindle can be made in AISI 316.

Material / Material / Materialien:

Base e stelo: Acciaio inox  
Base plate and spindle: Stainless steel  
Fussplatte und Spindel: Edelstahl



Ø 125

DIAMETER (mm)



HIGH LOAD

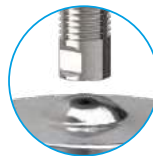
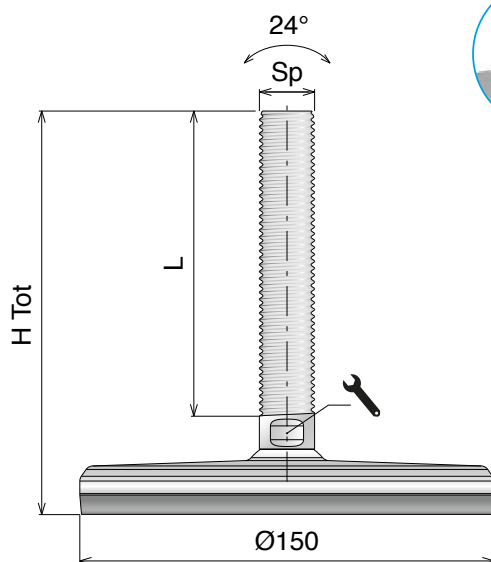


SLIT VERSION



ANTI-SLIP

Art-Nr.	Sp	H Tot (mm)	L (mm)	Wrench (mm)	Load (N)
902069	M20	87,5	52,3	17	45.000
902070		117,5	82,3	17	
902071		147,5	112,3	17	
902072		177,5	142,3	17	
902073		227,5	192,3	17	
902074		287,5	252,3	17	
902075	M24	117,5	76	19	70.000
902076		147,5	106	19	
902077		177,5	136	19	
902078		227,5	186	19	
902079		287,5	246	19	
902080	M30	147,5	106	24	100.000
902081		177,5	136	24	
902082		227,5	186	24	
902083		287,5	246	24	
902084		337,5	296	24	
902085	M36	177,5	136	30	130.000
902086		227,5	186	30	
902087		287,5	246	30	
902088		337,5	296	30	



Ø 150

DIAMETER (mm)



HIGH LOAD



SLIT VERSION



ANTI-SLIP

Art-Nr.	Sp	H Tot (mm)	L (mm)	Wrench (mm)	Load (N)
902089	M20	87,5	52,3	17	45.000
902090		117,5	82,3	17	
902091		147,5	112,3	17	
902092		177,5	142,3	17	
902093		227,5	192,3	17	
902094		287,5	252,3	17	
902095	M24	117,5	76	19	70.000
902096		147,5	106	19	
902097		177,5	136	19	
902098		227,5	186	19	
902099		287,5	246	19	
902100	M30	147,5	106	24	100.000
902101		177,5	136	24	
902102		227,5	186	24	
902103		287,5	246	24	
902104		337,5	296	24	
902105	M36	177,5	136	30	150.000
902106		227,5	186	30	
902107		287,5	246	30	
902108		337,5	296	30	

## S400B Series HYGIENIC STAINLESS STEEL LEVELERS

RANGE EXTENSION

Delivery: **Easy** **Standard**

### S400B

**Main features:**

- Overmolded baseplate in AISI 304
- Spindle and cover in AISI 304
- Washer in AISI 304
- Vulcanized anti-slip NBR rubber

**Versions available:**

- with single floor fixation



### S400B SPLIT

**Main features:**

- Overmolded baseplate in AISI 304
- Spindle and cover in AISI 304
- Separate spindle and baseplate
- Vulcanized anti-slip NBR rubber



### S400B HEAVY

**Main features:**

- Full machined baseplate in AISI 304
- Spindle and cover in AISI 304
- Washer in AISI 304 stainless steel

**Versions available:**

- Vulcanized anti-slip NBR rubber
- Double floor fixation



### S400B HEAVY-SPLIT

**Main features:**

- Full machined baseplate in AISI 304
- Spindle and cover in AISI 304
- Separate spindle and baseplate

**Versions available:**

- Vulcanized anti-slip NBR rubber



The **S400B series**, with overmolded baseplate in AISI 304 stainless steel, threaded spindle with complete closure cover and stainless steel washer is the best choice for industrial environments where a high level of hygiene is required, like food, chemical and pharmaceutical industries.

The stainless steel baseplate and its particular shape guarantee an excellent cleanability, especially in critical conditions; the stainless steel cover avoids exposure of the thread part to external agents; the stainless steel washer ensures complete closure between the spindle and the baseplate and the NBR rubber guarantees anti-slip properties and hermetic closure between the leveler and the floor.

Maximum compressive strength (static load) as in the table, maximum tensile strength (static load) 4.000 N (S400); 8.000 N (S400 HEAVY); NOT AVAILABLE (SLIT and HEAVY-DUTY).

Accessori / Accessories / Zubehör

Find out more details on page 643/644

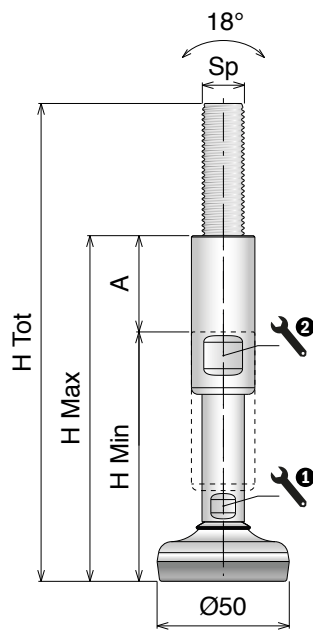
# S400B Series

Piedi di livellamento / Leveling feet / Nivellierfüße

On request vulcanized rubber can be provided  
white or blue and spindle can be made in AISI 316.

**Materiale / Material / Materialien:**

Base, stelo, rondella e boccola: Acciaio inox  
Base plate, spindle, washer and cover: Stainless steel  
Fussplatte, Spindel, Scheibe und Hülse: Edelstahl

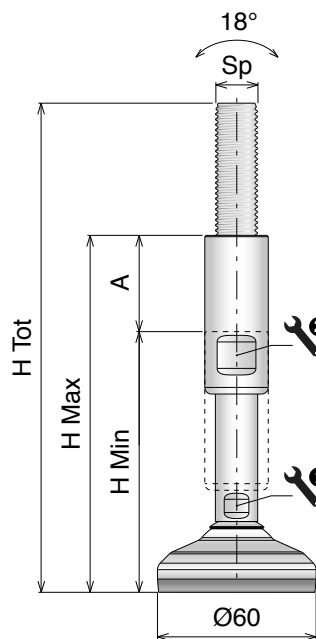


## Ø50

DIAMETER (mm)



Art-Nr.	Sp	H Tot (mm)	H Min (mm)	H Max (mm)	A (mm)	1 (mm)	2 (mm)	Load (N)
<b>902109</b>	M12	181	101	146	45	10	17	3.000
<b>902110</b>		231	131	196	65	10	17	
<b>902111</b>	M16	181	101	146	45	13	19	3.000
<b>902112</b>		231	131	196	65	13	19	
<b>902113</b>	M20	181	101	146	45	17	24	3.000
<b>902114</b>		231	131	196	65	17	24	
<b>902115</b>	M24	181	101	146	45	19	30	3.000
<b>902116</b>		231	131	196	65	19	30	
<b>902117</b>	M30	181	101	146	45	24	36	3.000
<b>902118</b>		231	131	196	65	24	36	
<b>902119</b>		291	191	256	65	24	36	
<b>902120</b>	M36	181	101	146	45	30	42	3.000
<b>902121</b>		231	131	196	65	30	42	
<b>902122</b>		291	191	256	65	30	42	



## Ø60

DIAMETER (mm)



Art-Nr.	Sp	H Tot (mm)	H Min (mm)	H Max (mm)	A (mm)	1 (mm)	2 (mm)	Load (N)
<b>902123</b>	M12	185	105	150	45	10	17	4.500
<b>902124</b>		235	135	200	65	10	17	
<b>902125</b>	M16	185	105	150	45	13	19	4.500
<b>902126</b>		235	135	200	65	13	19	
<b>902127</b>	M20	185	105	150	45	17	24	4.500
<b>902128</b>		235	135	200	65	17	24	
<b>902129</b>	M24	185	105	150	45	19	30	4.500
<b>902130</b>		235	135	200	65	19	30	
<b>902131</b>	M30	185	105	150	45	24	36	4.500
<b>902132</b>		235	135	200	65	24	36	
<b>902133</b>		295	195	260	65	24	36	
<b>902134</b>	M36	185	105	150	45	30	42	4.500
<b>902135</b>		235	135	200	65	30	42	
<b>902136</b>		295	195	260	65	30	42	



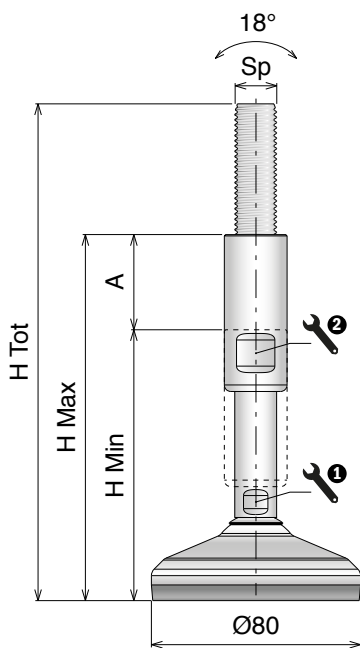
**Materiale / Material / Materialien:**

Base, stelo, rondella e boccia: Acciaio inox  
 Base plate, spindle, washer and cover: Stainless steel  
 Fussplatte, Spindel, Scheibe und Hülse: Edelstahl

On request vulcanized rubber can be provided  
 white or blue and spindle can be made in AISI 316.

# S400B Series

Piedi di livellamento / Leveling feet / Nivellierfüße



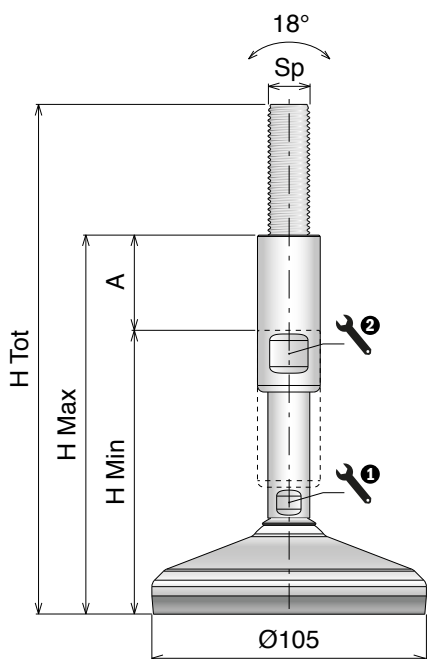
## Ø80

DIAMETER (mm)



ANTI-SLIP

Art-Nr.	Sp	H Tot (mm)	H Min (mm)	H Max (mm)	A (mm)	1 (mm)	2 (mm)	Load (N)
<b>902165</b>	M12	190	110	155	45	10	17	12.000
<b>902166</b>		240	140	205	65	10	17	
<b>902167</b>	M16	190	110	155	45	13	19	15.000
<b>902168</b>		240	140	205	65	13	19	
<b>902169</b>	M20	190	110	155	45	17	24	15.000
<b>902170</b>		240	140	205	65	17	24	
<b>902171</b>	M24	190	110	155	45	19	30	15.000
<b>902172</b>		240	140	205	65	19	30	
<b>902173</b>	M30	190	110	155	45	24	36	15.000
<b>902174</b>		240	140	205	65	24	36	
<b>902175</b>		300	200	265	65	24	36	
<b>902176</b>	M36	190	110	155	45	30	42	15.000
<b>902177</b>		240	140	205	65	30	42	
<b>902178</b>		300	200	265	65	30	42	



## Ø105

DIAMETER (mm)



ANTI-SLIP

Art-Nr.	Sp	H Tot (mm)	H Min (mm)	H Max (mm)	A (mm)	1 (mm)	2 (mm)	Load (N)
<b>902193</b>	M12	195	115	160	45	10	17	12.000
<b>902194</b>		245	145	210	65	10	17	
<b>902195</b>	M16	195	115	160	45	13	19	25.000
<b>902196</b>		245	145	210	65	13	19	
<b>902197</b>	M20	195	115	160	45	17	24	25.000
<b>902198</b>		245	145	210	65	17	24	
<b>902199</b>	M24	195	115	160	45	19	30	25.000
<b>902200</b>		245	145	210	65	19	30	
<b>902201</b>	M30	195	115	160	45	24	36	25.000
<b>902202</b>		245	145	210	65	24	36	
<b>902203</b>		305	205	270	65	24	36	
<b>902204</b>	M36	195	115	160	45	30	42	25.000
<b>902205</b>		245	145	210	65	30	42	
<b>902206</b>		305	205	270	65	30	42	

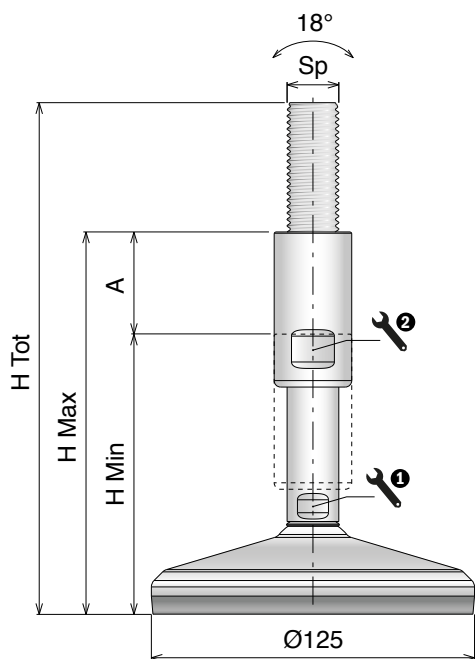
# S400B Series

Piedi di livellamento / Leveling feet / Nivellierfüße

On request vulcanized rubber can be provided  
white or blue and spindle can be made in AISI 316.

**Materiale / Material / Materialien:**

Base, stelo, rondella e boccola: Acciaio inox  
Base plate, spindle, washer and cover: Stainless steel  
Fussplatte, Spindel, Scheibe und Hülse: Edelstahl

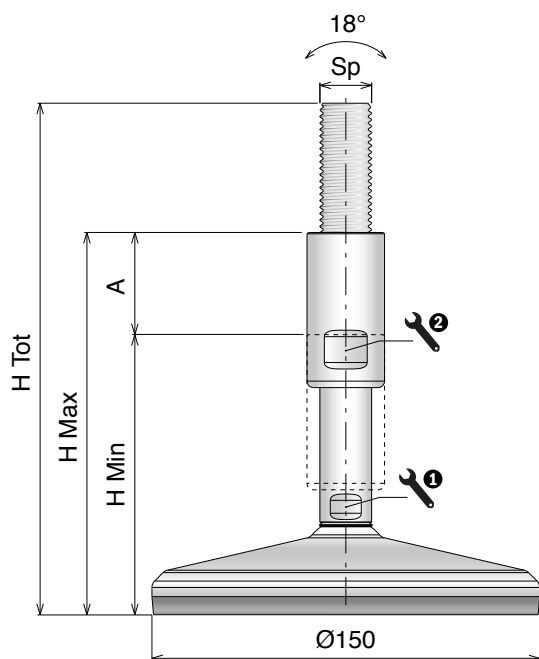


## Ø125

DIAMETER (mm)



Art-Nr.	Sp	H Tot (mm)	H Min (mm)	H Max (mm)	A (mm)	1 (mm)	2 (mm)	Load (N)
902207	M12	195	115	160	45	10	17	12.000
902208		245	145	210	65	10	17	
902209	M16	195	115	160	45	13	19	30.000
902210		245	145	210	65	13	19	
902211	M20	195	115	160	45	17	24	30.000
902212		245	145	210	65	17	24	
902213	M24	195	115	160	45	19	30	30.000
902214		245	145	210	65	19	30	
902215	M30	195	115	160	45	24	36	30.000
902216		245	145	210	65	24	36	
902217		305	205	270	65	24	36	
902218	M36	195	115	160	45	30	42	30.000
902219		245	145	210	65	30	42	
902220		305	205	270	65	30	42	



## Ø150

DIAMETER (mm)



Art-Nr.	Sp	H Tot (mm)	H Min (mm)	H Max (mm)	A (mm)	1 (mm)	2 (mm)	Load (N)
902221	M12	195	115	160	45	10	17	12.000
902222		245	145	210	65	10	17	
902223	M16	195	115	160	45	13	19	30.000
902224		245	145	210	65	13	19	
902225	M20	195	115	160	45	17	24	45.000
902226		245	145	210	65	17	24	
902227	M24	195	115	160	45	19	30	45.000
902228		245	145	210	65	19	30	
902229	M30	195	115	160	45	24	36	45.000
902230		245	145	210	65	24	36	
902231		305	205	270	65	24	36	
902232	M36	195	115	160	45	30	42	45.000
902233		245	145	210	65	30	42	
902234		305	205	270	65	30	42	

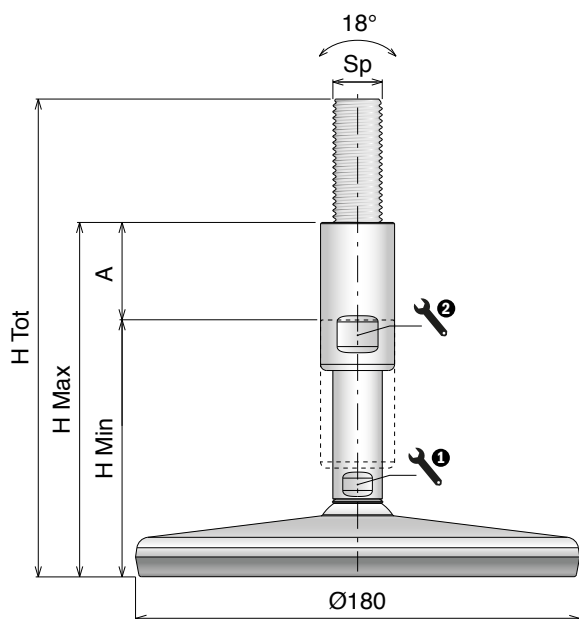
**Materiale / Material / Materialien:**

Base, stelo, rondella e boccia: Acciaio inox  
 Base plate, spindle, washer and cover: Stainless steel  
 Fussplatte, Spindel, Scheibe und Hülse: Edelstahl

On request vulcanized rubber can be provided  
 white or blue and spindle can be made in AISI 316.

# S400B Series

Piedi di livellamento / Leveling feet / Nivellierfüße



## Ø180

DIAMETER (mm)



ANTI-SLIP

Art-Nr.	Sp	H Tot (mm)	H Min (mm)	H Max (mm)	A (mm)	1 (mm)	2 (mm)	Load (N)
<b>902235</b>	M12	191	111	156	45	10	17	12.000
<b>902236</b>		241	141	206	65	10	17	
<b>902237</b>	M16	191	111	156	45	13	19	30.000
<b>902238</b>		241	141	206	65	13	19	
<b>902239</b>	M20	191	111	156	45	17	24	38.000
<b>902240</b>		241	141	206	65	17	24	
<b>902241</b>	M24	191	111	156	45	19	30	38.000
<b>902242</b>		241	141	206	65	19	30	
<b>902243</b>	M30	191	111	156	45	24	36	38.000
<b>902244</b>		241	141	206	65	24	36	
<b>902245</b>		301	201	266	65	24	36	
<b>902246</b>	M36	191	111	156	45	30	42	38.000
<b>902247</b>		241	141	206	65	30	42	
<b>902248</b>		301	201	266	65	30	42	

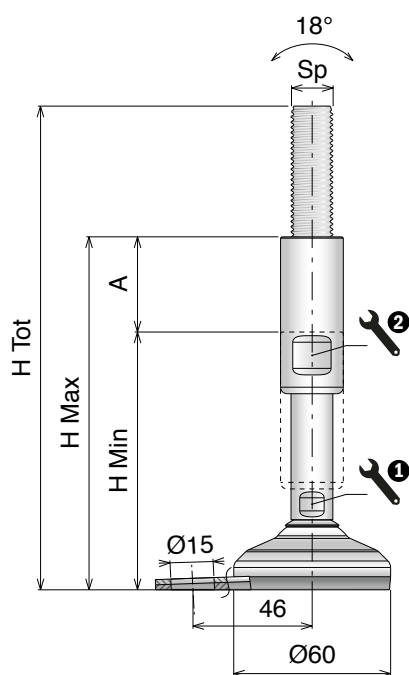
# S400B Series

Piedi di livellamento / Leveling feet / Nivellierfüße

On request vulcanized rubber can be provided  
white or blue and spindle can be made in AISI 316.

**Materiale / Material / Materialien:**

Base, stelo, rondella e boccola: Acciaio inox  
Base plate, spindle, washer and cover: Stainless steel  
Fussplatte, Spindel, Scheibe und Hülse: Edelstahl



## Ø 60

DIAMETER (mm)

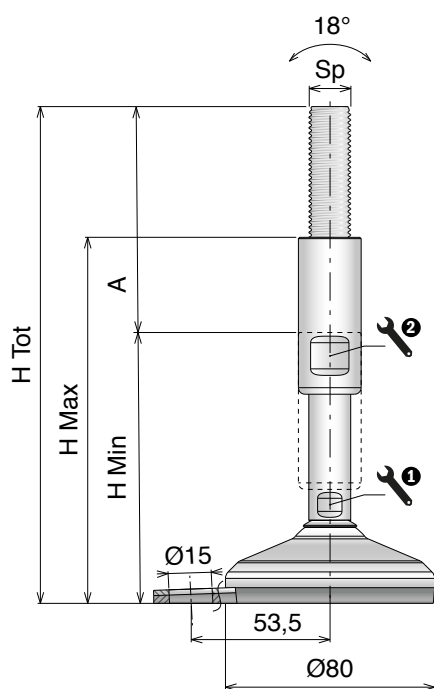


ANTI-SLIP



FIXING POINT

Art-Nr.	Sp	H Tot (mm)	H Min (mm)	H Max (mm)	A (mm)	1 (mm)	2 (mm)	Load (N)
<b>902249</b>	M12	185	105	150	45	10	17	4.500
<b>902250</b>		235	135	200	65	10	17	
<b>902251</b>	M16	185	105	150	45	13	19	4.500
<b>902252</b>		235	135	200	65	13	19	
<b>902253</b>	M20	185	105	150	45	17	24	4.500
<b>902254</b>		235	135	200	65	17	24	
<b>902255</b>	M24	185	105	150	45	19	30	4.500
<b>902256</b>		235	135	200	65	19	30	
<b>902257</b>	M30	185	105	150	45	24	36	4.500
<b>902258</b>		235	135	200	65	24	36	
<b>902259</b>		295	195	260	65	24	36	
<b>902260</b>	M36	185	105	150	45	30	42	4.500
<b>902261</b>		235	135	200	65	30	42	
<b>902262</b>		295	195	260	65	30	42	



## Ø 80

DIAMETER (mm)



ANTI-SLIP



FIXING POINT

Art-Nr.	Sp	H Tot (mm)	H Min (mm)	H Max (mm)	A (mm)	1 (mm)	2 (mm)	Load (N)
<b>902277</b>	M12	190	110	155	45	10	17	12.000
<b>902278</b>		240	140	205	65	10	17	
<b>902279</b>	M16	190	110	155	45	13	19	15.000
<b>902280</b>		240	140	205	65	13	19	
<b>902281</b>	M20	190	110	155	45	17	24	15.000
<b>902282</b>		240	140	205	65	17	24	
<b>902283</b>	M24	190	110	155	45	19	30	15.000
<b>902284</b>		240	140	205	65	19	30	
<b>902285</b>	M30	190	110	155	45	24	36	15.000
<b>902286</b>		240	140	205	65	24	36	
<b>902287</b>		300	200	265	65	24	36	
<b>902288</b>	M36	190	110	155	45	30	42	15.000
<b>902289</b>		240	140	205	65	30	42	
<b>902290</b>		300	200	265	65	30	42	

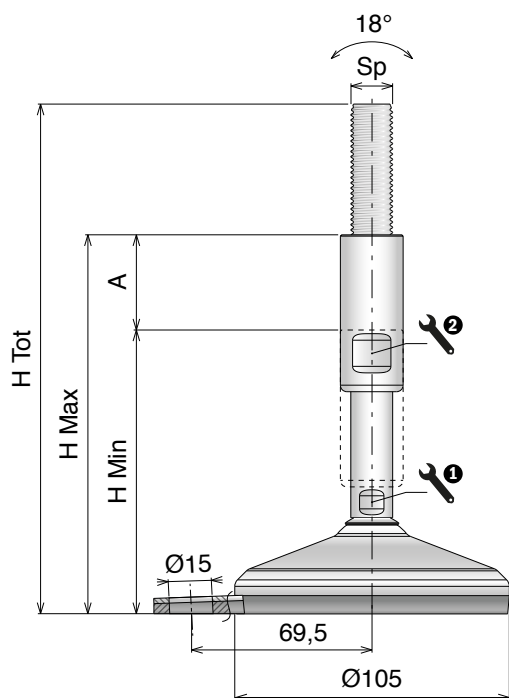
**Materiale / Material / Materialien:**

Base, stelo, rondella e boccia: Acciaio inox  
 Base plate, spindle, washer and cover: Stainless steel  
 Fussplatte, Spindel, Scheibe und Hülse: Edelstahl

On request vulcanized rubber can be provided  
 white or blue and spindle can be made in AISI 316.

# S400B Series

Piedi di livellamento / Leveling feet / Nivellierfüße



## Ø105

DIAMETER (mm)

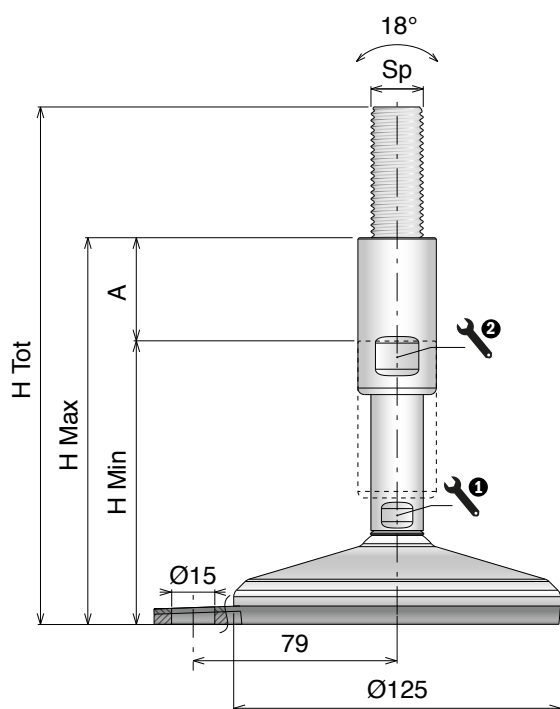


ANTI-SLIP



FIXING POINT

Art-Nr.	Sp	H Tot (mm)	H Min (mm)	H Max (mm)	A (mm)	1 (mm)	2 (mm)	Load (N)
<b>902305</b>	M12	195	115	160	45	10	17	12.000
<b>902306</b>		245	145	210	65	10	17	
<b>902307</b>	M16	195	115	160	45	13	19	25.000
<b>902308</b>		245	145	210	65	13	19	
<b>902309</b>	M20	195	115	160	45	17	24	25.000
<b>902310</b>		245	145	210	65	17	24	
<b>902311</b>	M24	195	115	160	45	19	30	25.000
<b>902312</b>		245	145	210	65	19	30	
<b>902313</b>	M30	195	115	160	45	24	36	25.000
<b>902314</b>		245	145	210	65	24	36	
<b>902315</b>		305	205	270	65	24	36	
<b>902316</b>	M36	195	115	160	45	30	42	25.000
<b>902317</b>		245	145	210	65	30	42	
<b>902318</b>		305	205	270	65	30	42	



## Ø125

DIAMETER (mm)



ANTI-SLIP



FIXING POINT

Art-Nr.	Sp	H Tot (mm)	H Min (mm)	H Max (mm)	A (mm)	1 (mm)	2 (mm)	Load (N)
<b>902319</b>	M12	195	115	160	45	10	17	12.000
<b>902320</b>		245	145	210	65	10	17	
<b>902321</b>	M16	195	115	160	45	13	19	30.000
<b>902322</b>		245	145	210	65	13	19	
<b>902323</b>	M20	195	115	160	45	17	24	30.000
<b>902324</b>		245	145	210	65	17	24	
<b>902325</b>	M24	195	115	160	45	19	30	30.000
<b>902326</b>		245	145	210	65	19	30	
<b>902327</b>	M30	195	115	160	45	24	36	30.000
<b>902328</b>		245	145	210	65	24	36	
<b>902329</b>		305	205	270	65	24	36	
<b>902330</b>	M36	195	115	160	45	30	42	30.000
<b>902331</b>		245	145	210	65	30	42	
<b>902332</b>		305	205	270	65	30	42	

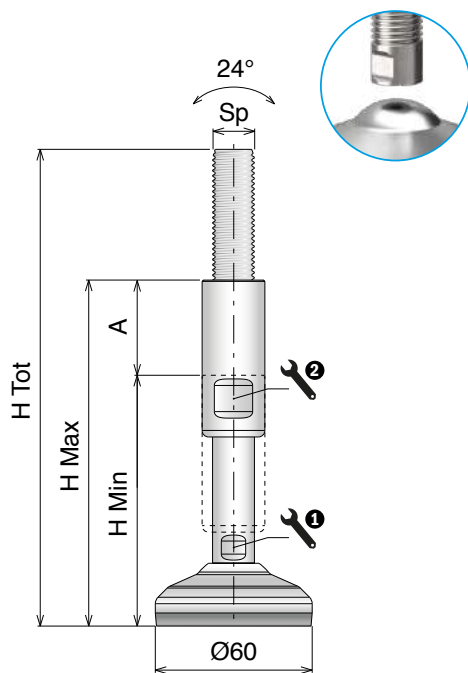
# S400B SPLIT

Piedi di livellamento / Leveling feet / Nivellierfüße

On request vulcanized rubber can be provided  
white or blue and spindle can be made in AISI 316.

**Materiale / Material / Materialien:**

Base, stelo, rondella e boccola: Acciaio inox  
Base plate, spindle, washer and cover: Stainless steel  
Fussplatte, Spindel, Scheibe und Hülse: Edelstahl



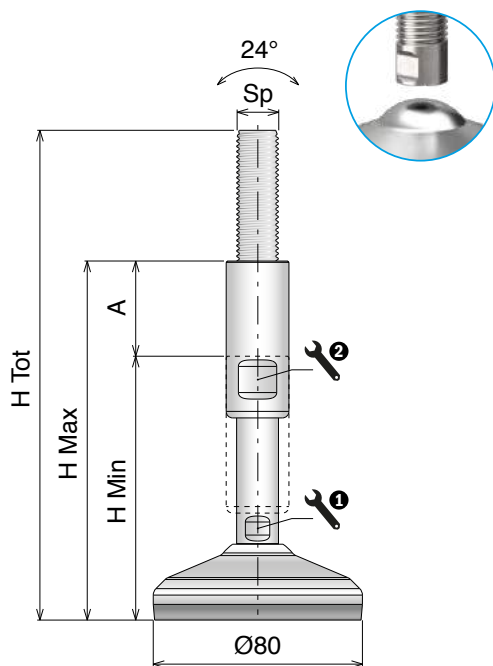
## Ø60

DIAMETER (mm)



SLIT VERSION ANTI-SLIP

Art-Nr.	Sp	H Tot (mm)	H Min (mm)	H Max (mm)	A (mm)	1 (mm)	2 (mm)	Load (N)
902333	M12	184	104	149	45	10	17	4.500
902334		234	134	199	65	10	17	
902335	M16	184	104	149	45	13	19	4.500
902336		234	134	199	65	13	19	
902337	M20	184	104	149	45	17	24	4.500
902338		234	134	199	65	17	24	
902339	M24	184	104	149	45	19	30	4.500
902340		234	134	199	65	19	30	
902341	M30	184	104	149	45	24	36	4.500
902342		234	134	199	65	24	36	
902343		294	194	259	65	24	36	
902344	M36	184	104	149	45	30	42	4.500
902345		234	134	199	65	30	42	
902346		294	194	259	65	30	42	



## Ø80

DIAMETER (mm)



SLIT VERSION ANTI-SLIP

Art-Nr.	Sp	H Tot (mm)	H Min (mm)	H Max (mm)	A (mm)	1 (mm)	2 (mm)	Load (N)
902347	M12	189	109	154	45	10	17	12.000
902348		239	139	204	65	10	17	
902349	M16	189	109	154	45	13	19	15.000
902350		239	139	204	65	13	19	
902351	M20	189	109	154	45	17	24	15.000
902352		239	139	204	65	17	24	
902353	M24	189	109	154	45	19	30	15.000
902354		239	139	204	65	19	30	
902355	M30	189	109	154	45	24	36	15.000
902356		239	139	204	65	24	36	
902357		299	199	264	65	24	36	
902358	M36	189	109	154	45	30	42	15.000
902359		239	139	204	65	30	42	
902360		299	199	264	65	30	42	

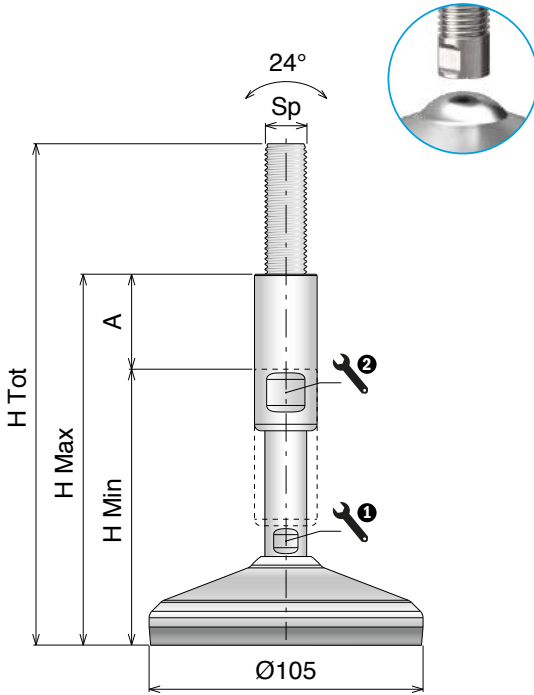
**Materiale / Material / Materialien:**

Base, stelo, rondella e boccia: Acciaio inox  
 Base plate, spindle, washer and cover: Stainless steel  
 Fussplatte, Spindel, Scheibe und Hülse: Edelstahl

On request vulcanized rubber can be provided  
 white or blue and spindle can be made in AISI 316.

# S400B SPLIT

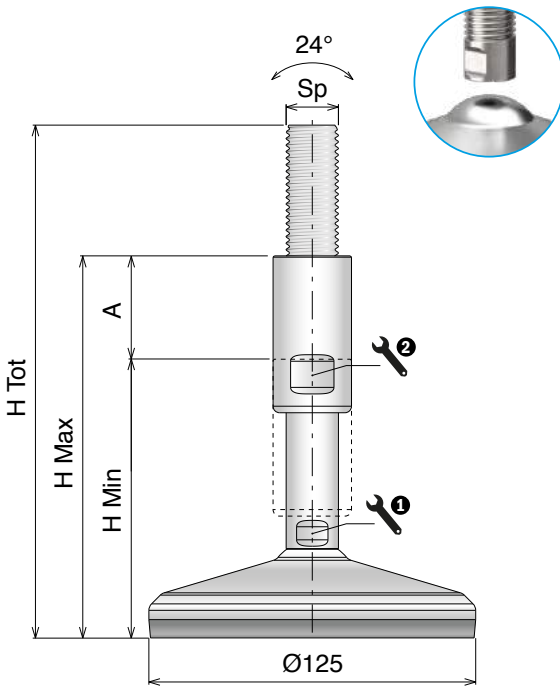
Piedi di livellamento / Leveling feet / Nivellierfüße



**Ø105**  
 DIAMETER (mm)



Art-Nr.	Sp	H Tot (mm)	H Min (mm)	H Max (mm)	A (mm)	1 (mm)	2 (mm)	Load (N)
<b>902361</b>	M12	194	114	159	45	10	17	12.000
<b>902362</b>		244	144	209	65	10	17	
<b>902363</b>	M16	194	114	159	45	13	19	25.000
<b>902364</b>		244	144	209	65	13	19	
<b>902365</b>	M20	194	114	159	45	17	24	25.000
<b>902366</b>		244	144	209	65	17	24	
<b>902367</b>	M24	194	114	159	45	19	30	25.000
<b>902368</b>		244	144	209	65	19	30	
<b>902369</b>	M30	194	114	159	45	24	36	25.000
<b>902370</b>		244	144	209	65	24	36	
<b>902371</b>		304	204	269	65	24	36	
<b>902372</b>	M36	194	114	159	45	30	42	25.000
<b>902373</b>		244	144	209	65	30	42	
<b>902374</b>		304	204	269	65	30	42	



**Ø125**  
 DIAMETER (mm)



Art-Nr.	Sp	H Tot (mm)	H Min (mm)	H Max (mm)	A (mm)	1 (mm)	2 (mm)	Load (N)
<b>902375</b>	M12	194	114	159	45	10	17	12.000
<b>902376</b>		244	144	209	65	10	17	
<b>902377</b>	M16	194	114	159	45	13	19	30.000
<b>902378</b>		244	144	209	65	13	19	
<b>902379</b>	M20	194	114	159	45	17	24	30.000
<b>902380</b>		244	144	209	65	17	24	
<b>902381</b>	M24	194	114	159	45	19	30	30.000
<b>902382</b>		244	144	209	65	19	30	
<b>902383</b>	M30	194	114	159	45	24	36	30.000
<b>902384</b>		244	144	209	65	24	36	
<b>902385</b>		304	204	269	65	24	36	
<b>902386</b>	M36	194	114	159	45	30	42	30.000
<b>902387</b>		244	144	209	65	30	42	
<b>902388</b>		304	204	269	65	30	42	

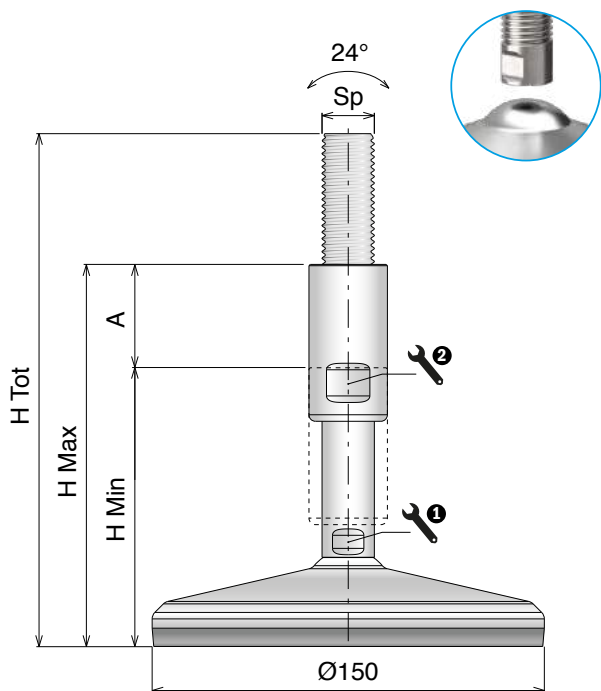
# S400B SPLIT

Piedi di livellamento / Leveling feet / Nivellierfüße

On request vulcanized rubber can be provided  
white or blue and spindle can be made in AISI 316.

## Materiale / Material / Materialien:

Base, stelo, rondella e boccia: Acciaio inox  
Base plate, spindle, washer and cover: Stainless steel  
Fussplatte, Spindel, Scheibe und Hülse: Edelstahl



## Ø150

DIAMETER (mm)



SLIT VERSION ANTI-SLIP

Art-Nr.	Sp	H Tot (mm)	H Min (mm)	H Max (mm)	A (mm)	1 (mm)	2 (mm)	Load (N)
<b>902389</b>	M12	194	114	159	45	10	17	12.000
<b>902390</b>		244	144	209	65	10	17	
<b>902391</b>	M16	194	114	159	45	13	19	30.000
<b>902392</b>		244	144	209	65	13	19	
<b>902393</b>	M20	194	114	159	45	17	24	45.000
<b>902394</b>		244	144	209	65	17	24	
<b>902395</b>	M24	194	114	159	45	19	30	45.000
<b>902396</b>		244	144	209	65	19	30	
<b>902397</b>	M30	194	114	159	45	24	36	45.000
<b>902398</b>		244	144	209	65	24	36	
<b>902399</b>		304	204	269	65	24	36	
<b>902400</b>	M36	194	114	159	45	30	42	45.000
<b>902401</b>		244	144	209	65	30	42	
<b>902402</b>		304	204	269	65	30	42	



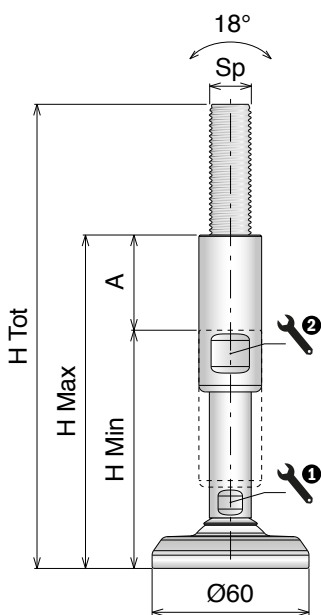
**Materiale / Material / Materialien:**

Base, stelo, rondella e boccia: Acciaio inox  
 Base plate, spindle, washer and cover: Stainless steel  
 Fussplatte, Spindel, Scheibe und Hülse: Edelstahl

On request spindle can be made in AISI 316.

# S400B HEAVY

Piedi di livellamento / Leveling feet / Nivellierfüße



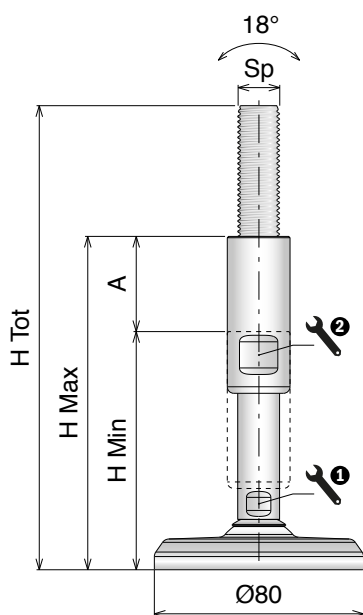
## Ø60

DIAMETER (mm)



HIGH LOAD

Art-Nr.	Sp	H Tot (mm)	H Min (mm)	H Max (mm)	A (mm)	1 (mm)	2 (mm)	Load (N)
<b>902403</b>	M12	177,5	97,5	142,5	45	10	17	12.000
<b>902404</b>		227,5	127,5	192,5	65	10	17	
<b>902405</b>	M16	177,5	97,5	142,5	45	13	19	30.000
<b>902406</b>		227,5	127,5	192,5	65	13	19	
<b>902407</b>	M20	177,5	97,5	142,5	45	17	24	45.000
<b>902408</b>		227,5	127,5	192,5	65	17	24	
<b>902409</b>	M24	177,5	97,5	142,5	45	19	30	60.000
<b>902410</b>		227,5	127,5	192,5	65	19	30	
<b>902411</b>	M30	177,5	97,5	142,5	45	24	36	60.000
<b>902412</b>		227,5	127,5	192,5	65	24	36	
<b>902413</b>		287,5	187,5	252,5	65	24	36	
<b>902414</b>	M36	177,5	97,5	142,5	45	30	42	60.000
<b>902415</b>		227,5	127,5	192,5	65	30	42	
<b>902416</b>		287,5	187,5	252,5	65	30	42	



## Ø80

DIAMETER (mm)



HIGH LOAD

Art-Nr.	Sp	H Tot (mm)	H Min (mm)	H Max (mm)	A (mm)	1 (mm)	2 (mm)	Load (N)
<b>902417</b>	M12	177,5	97,5	142,5	45	10	17	12.000
<b>902418</b>		227,5	127,5	192,5	65	10	17	
<b>902419</b>	M16	177,5	97,5	142,5	45	13	19	30.000
<b>902420</b>		227,5	127,5	192,5	65	13	19	
<b>902421</b>	M20	177,5	97,5	142,5	45	17	24	45.000
<b>902422</b>		227,5	127,5	192,5	65	17	24	
<b>902423</b>	M24	177,5	97,5	142,5	45	19	30	70.000
<b>902424</b>		227,5	127,5	192,5	65	19	30	
<b>902425</b>	M30	177,5	97,5	142,5	45	24	36	80.000
<b>902426</b>		227,5	127,5	192,5	65	24	36	
<b>902427</b>		287,5	187,5	252,5	65	24	36	
<b>902428</b>	M36	177,5	97,5	142,5	45	30	42	80.000
<b>902429</b>		227,5	127,5	192,5	65	30	42	
<b>902430</b>		287,5	187,5	252,5	65	30	42	

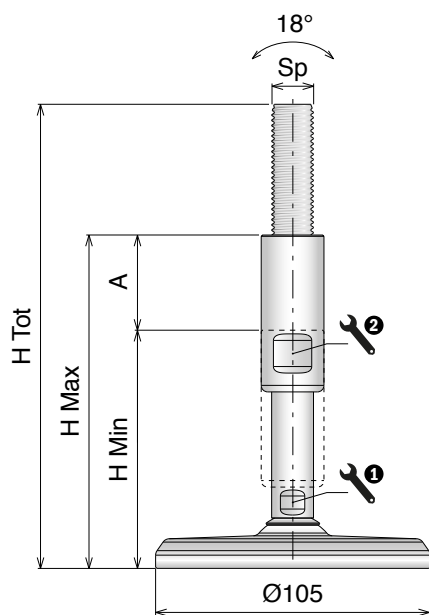
# S400B HEAVY

Piedi di livellamento / Leveling feet / Nivellierfüße

On request spindle can be made in AISI 316.

**Materiale / Material / Materialien:**

Base, stelo, rondella e boccia: Acciaio inox  
Base plate, spindle, washer and cover: Stainless steel  
Fussplatte, Spindel, Scheibe und Hülse: Edelstahl



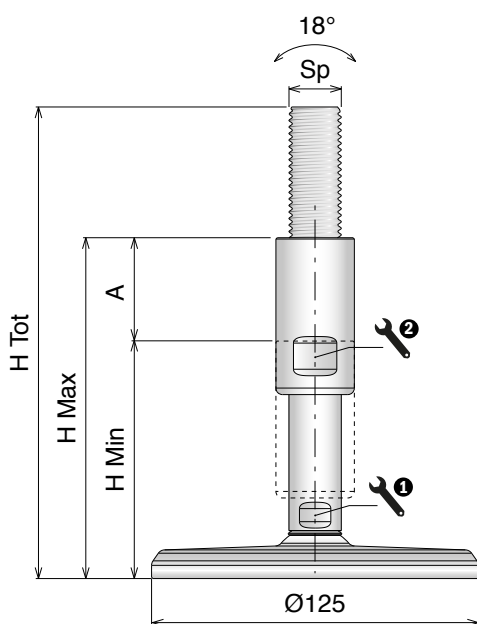
## Ø105

DIAMETER (mm)



HIGH LOAD

Art-Nr.	Sp	H Tot (mm)	H Min (mm)	H Max (mm)	A (mm)	1 (mm)	2 (mm)	Load (N)
902431	M12	177,5	97,5	142,5	45	10	17	12.000
902432		227,5	127,5	192,5	65	10	17	
902433	M16	177,5	97,5	142,5	45	13	19	30.000
902434		227,5	127,5	192,5	65	13	19	
902435	M20	177,5	97,5	142,5	45	17	24	45.000
902436		227,5	127,5	192,5	65	17	24	
902437	M24	177,5	97,5	142,5	45	19	30	70.000
902438		227,5	127,5	192,5	65	19	30	
902439	M30	177,5	97,5	142,5	45	24	36	100.000
902440		227,5	127,5	192,5	65	24	36	
902441		287,5	187,5	252,5	65	24	36	
902442	M36	177,5	97,5	142,5	45	30	42	120.000
902443		227,5	127,5	192,5	65	30	42	
902444		287,5	187,5	252,5	65	30	42	



## Ø125

DIAMETER (mm)



HIGH LOAD

Art-Nr.	Sp	H Tot (mm)	H Min (mm)	H Max (mm)	A (mm)	1 (mm)	2 (mm)	Load (N)
902445	M12	177,5	97,5	142,5	45	10	17	12.000
902446		227,5	127,5	192,5	65	10	17	
902447	M16	177,5	97,5	142,5	45	13	19	30.000
902448		227,5	127,5	192,5	65	13	19	
902449	M20	177,5	97,5	142,5	45	17	24	45.000
902450		227,5	127,5	192,5	65	17	24	
902451	M24	177,5	97,5	142,5	45	19	30	70.000
902452		227,5	127,5	192,5	65	19	30	
902453	M30	177,5	97,5	142,5	45	24	36	100.000
902454		227,5	127,5	192,5	65	24	36	
902455		287,5	187,5	252,5	65	24	36	
902456	M36	177,5	97,5	142,5	45	30	42	130.000
902457		227,5	127,5	192,5	65	30	42	
902458		287,5	187,5	252,5	65	30	42	

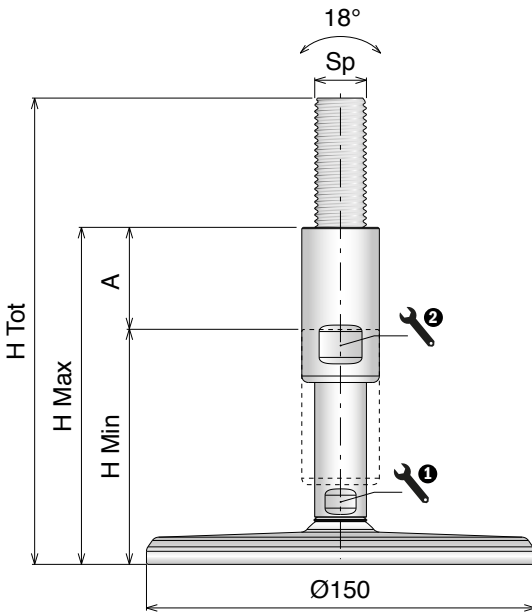
**Materiale / Material / Materialien:**

Base, stelo, rondella e boccia: Acciaio inox  
 Base plate, spindle, washer and cover: Stainless steel  
 Fussplatte, Spindel, Scheibe und Hülse: Edelstahl

On request spindle can be made in AISI 316.

# S400B HEAVY

Piedi di livellamento / Leveling feet / Nivellierfüße



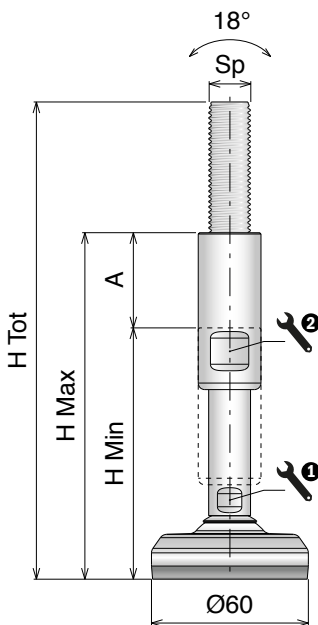
## Ø150

DIAMETER (mm)



HIGH LOAD

Art-Nr.	Sp	H Tot (mm)	H Min (mm)	H Max (mm)	A (mm)	1 (mm)	2 (mm)	Load (N)
<b>902459</b>	M12	177,5	97,5	142,5	45	10	17	12.000
<b>902460</b>		227,5	127,5	192,5	65	10	17	
<b>902461</b>	M16	177,5	97,5	142,5	45	13	19	30.000
<b>902462</b>		227,5	127,5	192,5	65	13	19	
<b>902463</b>	M20	177,5	97,5	142,5	45	17	24	45.000
<b>902464</b>		227,5	127,5	192,5	65	17	24	
<b>902465</b>	M24	177,5	97,5	142,5	45	19	30	70.000
<b>902466</b>		227,5	127,5	192,5	65	19	30	
<b>902467</b>	M30	177,5	97,5	142,5	45	24	36	100.000
<b>902468</b>		227,5	127,5	192,5	65	24	36	
<b>902469</b>		287,5	187,5	252,5	65	24	36	
<b>902470</b>	M36	177,5	97,5	142,5	45	30	42	120.000
<b>902471</b>		227,5	127,5	192,5	65	30	42	
<b>902472</b>		287,5	187,5	252,5	65	30	42	



## Ø60

DIAMETER (mm)



HIGH LOAD



ANTI-SLIP

Art-Nr.	Sp	H Tot (mm)	H Min (mm)	H Max (mm)	A (mm)	1 (mm)	2 (mm)	Load (N)
<b>902473</b>	M12	182,5	102,5	147,5	45	10	17	12.000
<b>902474</b>		232,5	132,5	197,5	65	10	17	
<b>902475</b>	M16	182,5	102,5	147,5	45	13	19	30.000
<b>902476</b>		232,5	132,5	197,5	65	13	19	
<b>902477</b>	M20	182,5	102,5	147,5	45	17	24	45.000
<b>902478</b>		232,5	132,5	197,5	65	17	24	
<b>902479</b>	M24	182,5	102,5	147,5	45	19	30	60.000
<b>902480</b>		232,5	132,5	197,5	65	19	30	
<b>902481</b>	M30	182,5	102,5	147,5	45	24	36	60.000
<b>902482</b>		232,5	132,5	197,5	65	24	36	
<b>902483</b>		292,5	192,5	257,5	65	24	36	
<b>902484</b>	M36	182,5	102,5	147,5	45	30	42	60.000
<b>902485</b>		232,5	132,5	197,5	65	30	42	
<b>902486</b>		292,5	192,5	257,5	65	30	42	

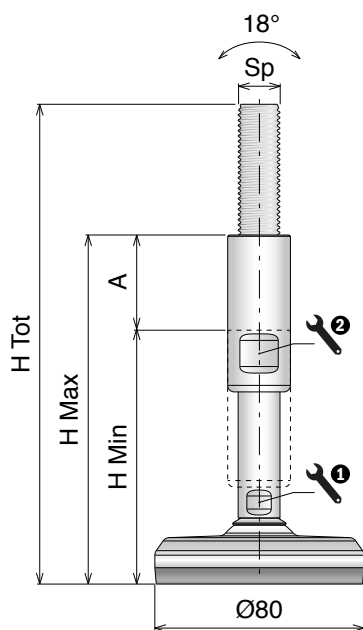
# S400B HEAVY

Piedi di livellamento / Leveling feet / Nivellierfüße

On request vulcanized rubber can be provided  
white or blue and spindle can be made in AISI 316.

**Materiale / Material / Materialien:**

Base, stelo, rondella e boccola: Acciaio inox  
Base plate, spindle, washer and cover: Stainless steel  
Fussplatte, Spindel, Scheibe und Hülse: Edelstahl



## Ø80

DIAMETER (mm)

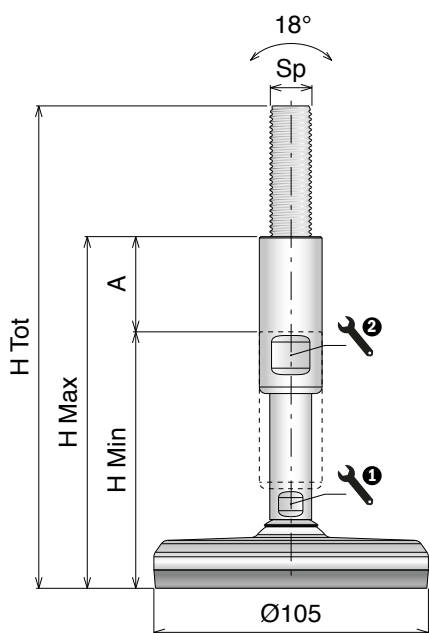


HIGH LOAD



ANTI-SLIP

Art-Nr.	Sp	H Tot (mm)	H Min (mm)	H Max (mm)	A (mm)	1 (mm)	2 (mm)	Load (N)
<b>902487</b>	M12	183,5	103,5	148,5	45	10	17	12.000
<b>902488</b>		233,5	133,5	198,5	65	10	17	
<b>902489</b>	M16	183,5	103,5	148,5	45	13	19	30.000
<b>902490</b>		233,5	133,5	198,5	65	13	19	
<b>902491</b>	M20	183,5	103,5	148,5	45	17	24	45.000
<b>902492</b>		233,5	133,5	198,5	65	17	24	
<b>902493</b>	M24	183,5	103,5	148,5	45	19	30	70.000
<b>902494</b>		233,5	133,5	198,5	65	19	30	
<b>902495</b>	M30	183,5	103,5	148,5	45	24	36	80.000
<b>902496</b>		233,5	133,5	198,5	65	24	36	
<b>902497</b>		293,5	193,5	258,5	65	24	36	
<b>902498</b>	M36	183,5	103,5	148,5	45	30	42	80.000
<b>902499</b>		233,5	133,5	198,5	65	30	42	
<b>902500</b>		293,5	193,5	258,5	65	30	42	



## Ø105

DIAMETER (mm)



HIGH LOAD



ANTI-SLIP

Art-Nr.	Sp	H Tot (mm)	H Min (mm)	H Max (mm)	A (mm)	1 (mm)	2 (mm)	Load (N)
<b>902501</b>	M12	184,5	104,5	149,5	45	10	17	12.000
<b>902502</b>		234,5	134,5	199,5	65	10	17	
<b>902503</b>	M16	184,5	104,5	149,5	45	13	19	30.000
<b>902504</b>		234,5	134,5	199,5	65	13	19	
<b>902505</b>	M20	184,5	104,5	149,5	45	17	24	45.000
<b>902506</b>		234,5	134,5	199,5	65	17	24	
<b>902507</b>	M24	184,5	104,5	149,5	45	19	30	70.000
<b>902508</b>		234,5	134,5	199,5	65	19	30	
<b>902509</b>	M30	184,5	104,5	149,5	45	24	36	100.000
<b>902510</b>		234,5	134,5	199,5	65	24	36	
<b>902511</b>		294,5	194,5	259,5	65	24	36	
<b>902512</b>	M36	184,5	104,5	149,5	45	30	42	120.000
<b>902513</b>		234,5	134,5	199,5	65	30	42	
<b>902514</b>		294,5	194,5	259,5	65	30	42	

**Materiale / Material / Materialien:**

Base, stelo, rondella e boccia: Acciaio inox  
 Base plate, spindle, washer and cover: Stainless steel  
 Fussplatte, Spindel, Scheibe und Hülse: Edelstahl

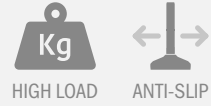
On request vulcanized rubber can be provided  
 white or blue and spindle can be made in AISI 316.

# S400B HEAVY

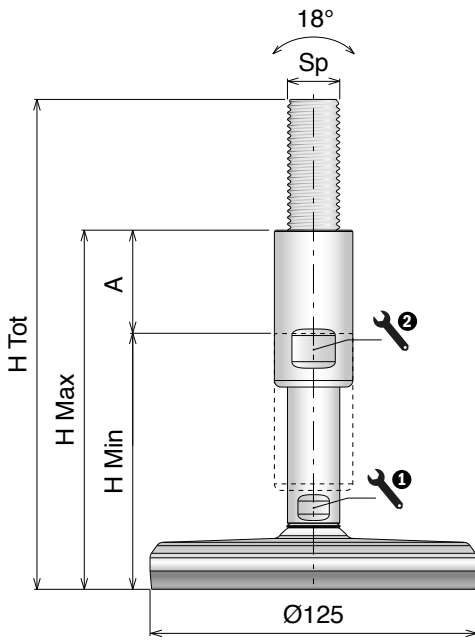
Piedi di livellamento / Leveling feet / Nivellierfüße

## Ø125

DIAMETER (mm)

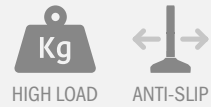


Art-Nr.	Sp	H Tot (mm)	H Min (mm)	H Max (mm)	A (mm)	1 (mm)	2 (mm)	Load (N)
<b>902515</b>	M12	184,5	104,5	149,5	45	10	17	12.000
<b>902516</b>		234,5	134,5	199,5	65	10	17	
<b>902517</b>	M16	184,5	104,5	149,5	45	13	19	30.000
<b>902518</b>		234,5	134,5	199,5	65	13	19	
<b>902519</b>	M20	184,5	104,5	149,5	45	17	24	45.000
<b>902520</b>		234,5	134,5	199,5	65	17	24	
<b>902521</b>	M24	184,5	104,5	149,5	45	19	30	70.000
<b>902522</b>		234,5	134,5	199,5	65	19	30	
<b>902523</b>	M30	184,5	104,5	149,5	45	24	36	100.000
<b>902524</b>		234,5	134,5	199,5	65	24	36	
<b>902525</b>		294,5	194,5	259,5	65	24	36	
<b>902526</b>	M36	184,5	104,5	149,5	45	30	42	130.000
<b>902527</b>		234,5	134,5	199,5	65	30	42	
<b>902528</b>		294,5	194,5	259,5	65	30	42	

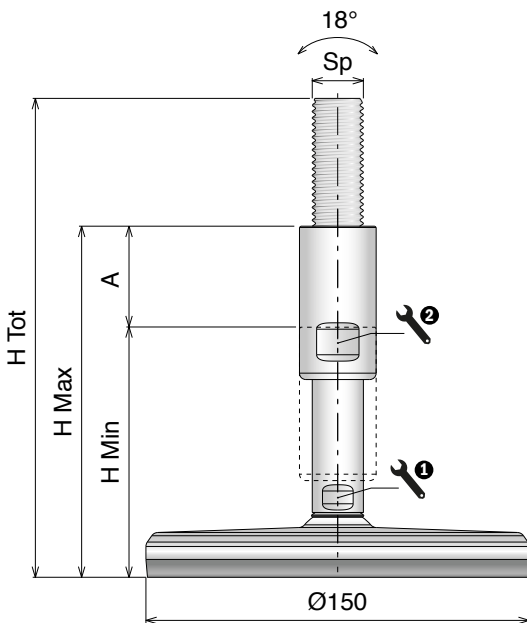


## Ø150

DIAMETER (mm)



Art-Nr.	Sp	H Tot (mm)	H Min (mm)	H Max (mm)	A (mm)	1 (mm)	2 (mm)	Load (N)
<b>902529</b>	M12	184,5	104,5	149,5	45	10	17	12.000
<b>902530</b>		234,5	134,5	199,5	65	10	17	
<b>902531</b>	M16	184,5	104,5	149,5	45	13	19	30.000
<b>902532</b>		234,5	134,5	199,5	65	13	19	
<b>902533</b>	M20	184,5	104,5	149,5	45	17	24	45.000
<b>902534</b>		234,5	134,5	199,5	65	17	24	
<b>902535</b>	M24	184,5	104,5	149,5	45	19	30	70.000
<b>902536</b>		234,5	134,5	199,5	65	19	30	
<b>902537</b>	M30	184,5	104,5	149,5	45	24	36	100.000
<b>902538</b>		234,5	134,5	199,5	65	24	36	
<b>902539</b>		294,5	194,5	259,5	65	24	36	
<b>902540</b>	M36	184,5	104,5	149,5	45	30	42	150.000
<b>902541</b>		234,5	134,5	199,5	65	30	42	
<b>902542</b>		294,5	194,5	259,5	65	30	42	



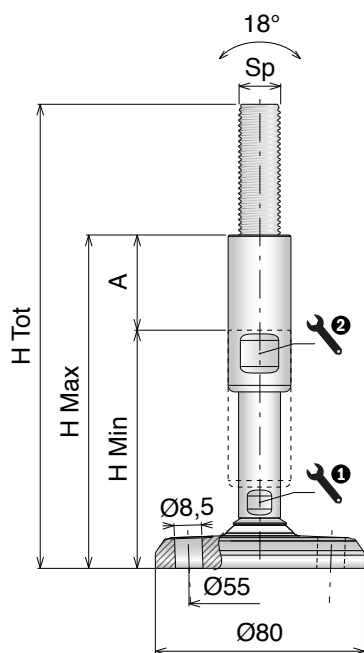
# S400B HEAVY

Piedi di livellamento / Leveling feet / Nivellierfüße

On request spindle can be made in AISI 316.

**Materiale / Material / Materialien:**

Base, stelo, rondella e boccola: Acciaio inox  
Base plate, spindle, washer and cover: Stainless steel  
Fussplatte, Spindel, Scheibe und Hülse: Edelstahl



## Ø80

DIAMETER (mm)

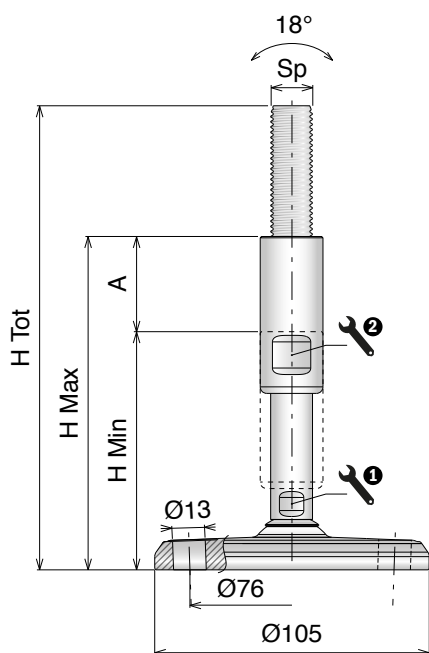


HIGH LOAD



FIXING POINT

Art-Nr.	Sp	H Tot (mm)	H Min (mm)	H Max (mm)	A (mm)	1 (mm)	2 (mm)	Load (N)
902557	M12	177,5	97,5	142,5	45	10	17	12.000
902558		227,5	127,5	192,5	65	10	17	
902559	M16	177,5	97,5	142,5	45	13	19	30.000
902560		227,5	127,5	192,5	65	13	19	
902561	M20	177,5	97,5	142,5	45	17	24	45.000
902562		227,5	127,5	192,5	65	17	24	
902563	M24	177,5	97,5	142,5	45	19	30	70.000
902564		227,5	127,5	192,5	65	19	30	
902565	M30	177,5	97,5	142,5	45	24	36	80.000
902566		227,5	127,5	192,5	65	24	36	
902567		287,5	187,5	252,5	65	24	36	
902568	M36	177,5	97,5	142,5	45	30	42	80.000
902569		227,5	127,5	192,5	65	30	42	
902570		287,5	187,5	252,5	65	30	42	



## Ø105

DIAMETER (mm)



HIGH LOAD



FIXING POINT

Art-Nr.	Sp	H Tot (mm)	H Min (mm)	H Max (mm)	A (mm)	1 (mm)	2 (mm)	Load (N)
902571	M12	177,5	97,5	142,5	45	10	17	12.000
902572		227,5	127,5	192,5	65	10	17	
902573	M16	177,5	97,5	142,5	45	13	19	30.000
902574		227,5	127,5	192,5	65	13	19	
902575	M20	177,5	97,5	142,5	45	17	24	45.000
902576		227,5	127,5	192,5	65	17	24	
902577	M24	177,5	97,5	142,5	45	19	30	70.000
902578		227,5	127,5	192,5	65	19	30	
902579	M30	177,5	97,5	142,5	45	24	36	100.000
902580		227,5	127,5	192,5	65	24	36	
902581		287,5	187,5	252,5	65	24	36	
902582	M36	177,5	97,5	142,5	45	30	42	120.000
902583		227,5	127,5	192,5	65	30	42	
902584		287,5	187,5	252,5	65	30	42	

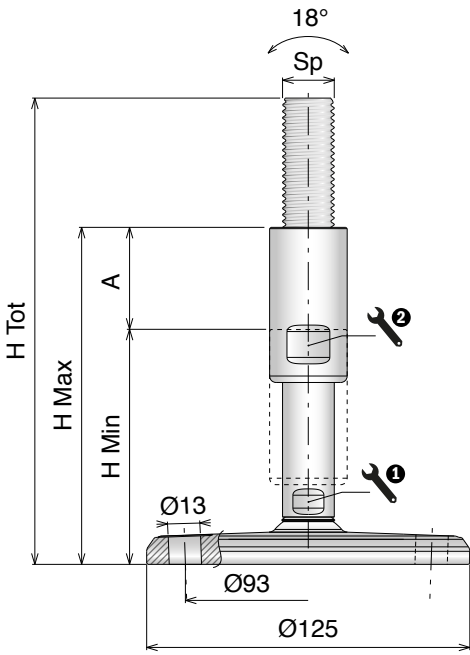
**Materiale / Material / Materialien:**

Base, stelo, rondella e boccia: Acciaio inox  
 Base plate, spindle, washer and cover: Stainless steel  
 Fussplatte, Spindel, Scheibe und Hülse: Edelstahl

On request spindle can be made in AISI 316.

# S400B HEAVY

Piedi di livellamento / Leveling feet / Nivellierfüße



## Ø 125

DIAMETER (mm)

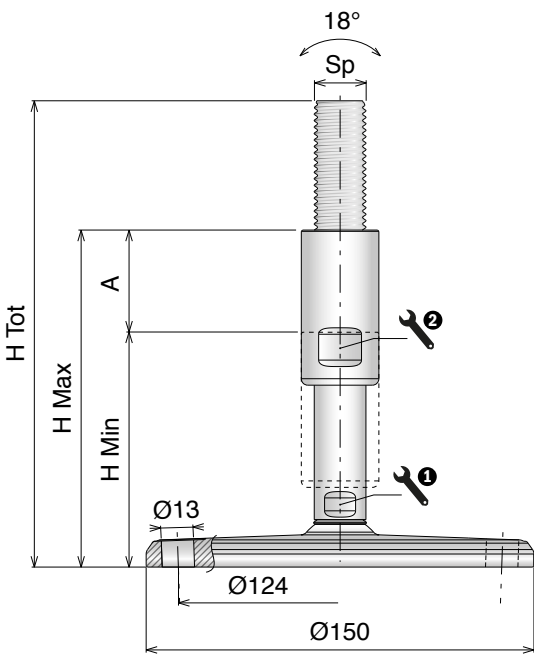


HIGH LOAD



FIXING POINT

Art-Nr.	Sp	H Tot (mm)	H Min (mm)	H Max (mm)	A (mm)	1 (mm)	2 (mm)	Load (N)
902585	M12	177,5	97,5	142,5	45	10	17	12.000
902586		227,5	127,5	192,5	65	10	17	
902587	M16	177,5	97,5	142,5	45	13	19	30.000
902588		227,5	127,5	192,5	65	13	19	
902589	M20	177,5	97,5	142,5	45	17	24	45.000
902590		227,5	127,5	192,5	65	17	24	
902591	M24	177,5	97,5	142,5	45	19	30	70.000
902592		227,5	127,5	192,5	65	19	30	
902593	M30	177,5	97,5	142,5	45	24	36	100.000
902594		227,5	127,5	192,5	65	24	36	
902595		287,5	187,5	252,5	65	24	36	
902596	M36	177,5	97,5	142,5	45	30	42	130.000
902597		227,5	127,5	192,5	65	30	42	
902598		287,5	187,5	252,5	65	30	42	



## Ø 150

DIAMETER (mm)



HIGH LOAD



FIXING POINT

Art-Nr.	Sp	H Tot (mm)	H Min (mm)	H Max (mm)	A (mm)	1 (mm)	2 (mm)	Load (N)
902599	M12	177,5	97,5	142,5	45	10	17	12.000
902600		227,5	127,5	192,5	65	10	17	
902601	M16	177,5	97,5	142,5	45	13	19	30.000
902602		227,5	127,5	192,5	65	13	19	
902603	M20	177,5	97,5	142,5	45	17	24	45.000
902604		227,5	127,5	192,5	65	17	24	
902605	M24	177,5	97,5	142,5	45	19	30	70.000
902606		227,5	127,5	192,5	65	19	30	
902607	M30	177,5	97,5	142,5	45	24	36	100.000
902608		227,5	127,5	192,5	65	24	36	
902609		287,5	187,5	252,5	65	24	36	
902610	M36	177,5	97,5	142,5	45	30	42	150.000
902611		227,5	127,5	192,5	65	30	42	
902612		287,5	187,5	252,5	65	30	42	

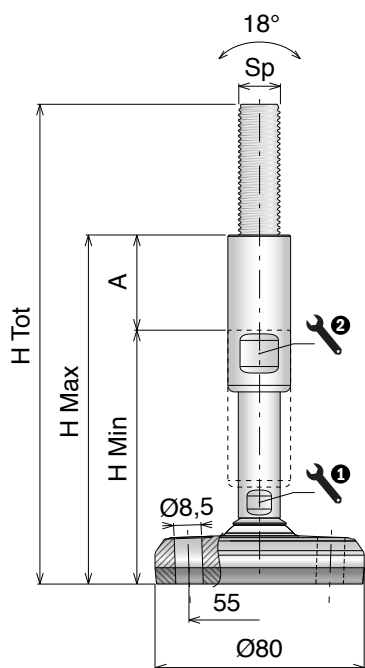
# S400B HEAVY

Piedi di livellamento / Leveling feet / Nivellierfüße

On request vulcanized rubber can be provided  
white or blue and spindle can be made in AISI 316.

**Materiale / Material / Materialien:**

Base, stelo, rondella e boccola: Acciaio inox  
Base plate, spindle, washer and cover: Stainless steel  
Fussplatte, Spindel, Scheibe und Hülse: Edelstahl



## Ø 80

DIAMETER (mm)



HIGH LOAD

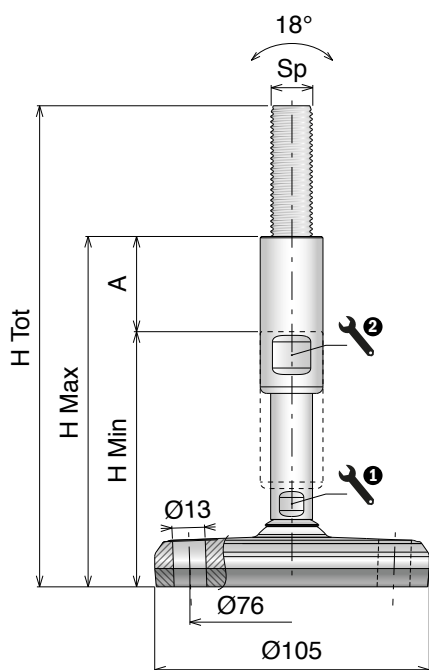


FIXING POINT



ANTI-SLIP

Art-Nr.	Sp	H Tot (mm)	H Min (mm)	H Max (mm)	A (mm)	1 (mm)	2 (mm)	Load (N)
<b>902627</b>	M12	183,5	103,5	148,5	45	10	17	12.000
<b>902628</b>		233,5	133,5	198,5	65	10	17	
<b>902629</b>	M16	183,5	103,5	148,5	45	13	19	30.000
<b>902630</b>		233,5	133,5	198,5	65	13	19	
<b>902631</b>	M20	183,5	103,5	148,5	45	17	24	45.000
<b>902632</b>		233,5	133,5	198,5	65	17	24	
<b>902633</b>	M24	183,5	103,5	148,5	45	19	30	80.000
<b>902634</b>		233,5	133,5	198,5	65	19	30	
<b>902635</b>	M30	183,5	103,5	148,5	45	24	36	80.000
<b>902636</b>		233,5	133,5	198,5	65	24	36	
<b>902637</b>		293,5	193,5	258,5	65	24	36	
<b>902638</b>	M36	183,5	103,5	148,5	45	30	42	80.000
<b>902639</b>		233,5	133,5	198,5	65	30	42	
<b>902640</b>		293,5	193,5	258,5	65	30	42	



## Ø 105

DIAMETER (mm)



HIGH LOAD



FIXING POINT



ANTI-SLIP

Art-Nr.	Sp	H Tot (mm)	H Min (mm)	H Max (mm)	A (mm)	1 (mm)	2 (mm)	Load (N)
<b>902641</b>	M12	184,5	104,5	149,5	45	10	17	12.000
<b>902642</b>		234,5	134,5	199,5	65	10	17	
<b>902643</b>	M16	184,5	104,5	149,5	45	13	19	30.000
<b>902644</b>		234,5	134,5	199,5	65	13	19	
<b>902645</b>	M20	184,5	104,5	149,5	45	17	24	45.000
<b>902646</b>		234,5	134,5	199,5	65	17	24	
<b>902647</b>	M24	184,5	104,5	149,5	45	19	30	70.000
<b>902648</b>		234,5	134,5	199,5	65	19	30	
<b>902649</b>	M30	184,5	104,5	149,5	45	24	36	100.000
<b>902650</b>		234,5	134,5	199,5	65	24	36	
<b>902651</b>		294,5	194,5	259,5	65	24	36	
<b>902652</b>	M36	184,5	104,5	149,5	45	30	42	120.000
<b>902653</b>		234,5	134,5	199,5	65	30	42	
<b>902654</b>		294,5	194,5	259,5	65	30	42	



**Materiale / Material / Materialien:**

Base, stelo, rondella e boccia: Acciaio inox  
 Base plate, spindle, washer and cover: Stainless steel  
 Fussplatte, Spindel, Scheibe und Hülse: Edelstahl

On request vulcanized rubber can be provided  
 white or blue and spindle can be made in AISI 316.

# S400B HEAVY

Piedi di livellamento / Leveling feet / Nivellierfüße

## Ø125

DIAMETER (mm)



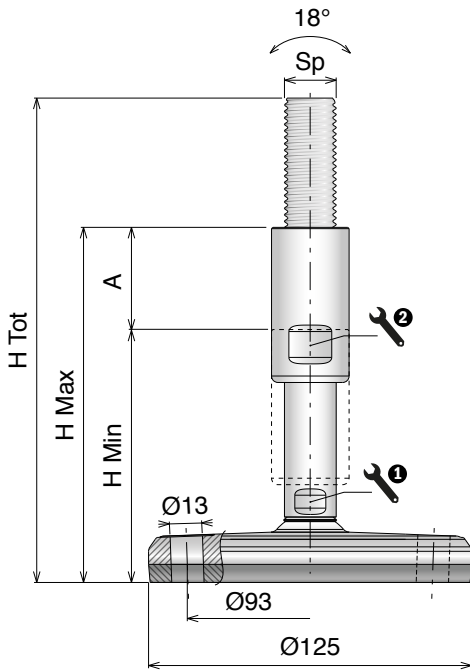
HIGH LOAD



FIXING POINT



ANTI-SLIP



Art-Nr.	Sp	H Tot (mm)	H Min (mm)	H Max (mm)	A (mm)	1 (mm)	2 (mm)	Load (N)
<b>902655</b>	M12	184,5	104,5	149,5	45	10	17	12.000
<b>902656</b>		234,5	134,5	199,5	65	10	17	
<b>902657</b>	M16	184,5	104,5	149,5	45	13	19	30.000
<b>902658</b>		234,5	134,5	199,5	65	13	19	
<b>902659</b>	M20	184,5	104,5	149,5	45	17	24	45.000
<b>902660</b>		234,5	134,5	199,5	65	17	24	
<b>902661</b>	M24	184,5	104,5	149,5	45	19	30	70.000
<b>902662</b>		234,5	134,5	199,5	65	19	30	
<b>902663</b>	M30	184,5	104,5	149,5	45	24	36	100.000
<b>902664</b>		234,5	134,5	199,5	65	24	36	
<b>902665</b>		294,5	194,5	259,5	65	24	36	
<b>902666</b>	M36	184,5	104,5	149,5	45	30	42	130.000
<b>902667</b>		234,5	134,5	199,5	65	30	42	
<b>902668</b>		294,5	194,5	259,5	65	30	42	

## Ø150

DIAMETER (mm)



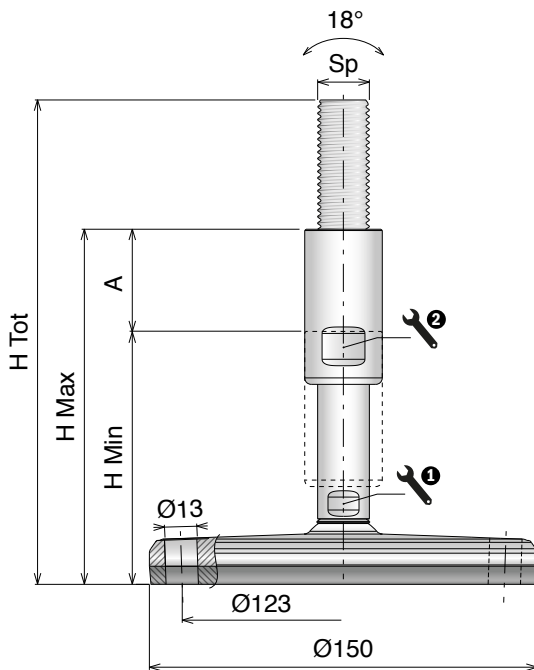
HIGH LOAD



FIXING POINT



ANTI-SLIP



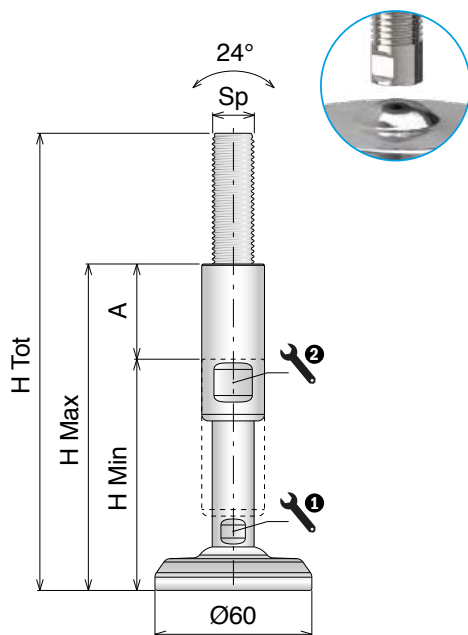
Art-Nr.	Sp	H Tot (mm)	H Min (mm)	H Max (mm)	A (mm)	1 (mm)	2 (mm)	Load (N)
<b>902669</b>	M12	184,5	104,5	149,5	45	10	17	12.000
<b>902670</b>		234,5	134,5	199,5	65	10	17	
<b>902671</b>	M16	184,5	104,5	149,5	45	13	19	30.000
<b>902672</b>		234,5	134,5	199,5	65	13	19	
<b>902673</b>	M20	184,5	104,5	149,5	45	17	24	45.000
<b>902674</b>		234,5	134,5	199,5	65	17	24	
<b>902675</b>	M24	184,5	104,5	149,5	45	19	30	70.000
<b>902676</b>		234,5	134,5	199,5	65	19	30	
<b>902677</b>	M30	184,5	104,5	149,5	45	24	36	100.000
<b>902678</b>		234,5	134,5	199,5	65	24	36	
<b>902679</b>		294,5	194,5	259,5	65	24	36	
<b>902680</b>	M36	184,5	104,5	149,5	45	30	42	150.000
<b>902681</b>		234,5	134,5	199,5	65	30	42	
<b>902682</b>		294,5	194,5	259,5	65	30	42	

# S400B HEAVY-SPLIT

Piedi di livellamento / Leveling feet / Nivellierfüße

On request vulcanized rubber can be provided  
white or blue and spindle can be made in AISI 316.

**Materiale / Material / Materialien:**  
Base, stelo e boccola: Acciaio inox  
Base plate, spindle and cover: Stainless steel  
Fussplatte, Spindel und Hülse: Edelstahl



## Ø60

DIAMETER (mm)

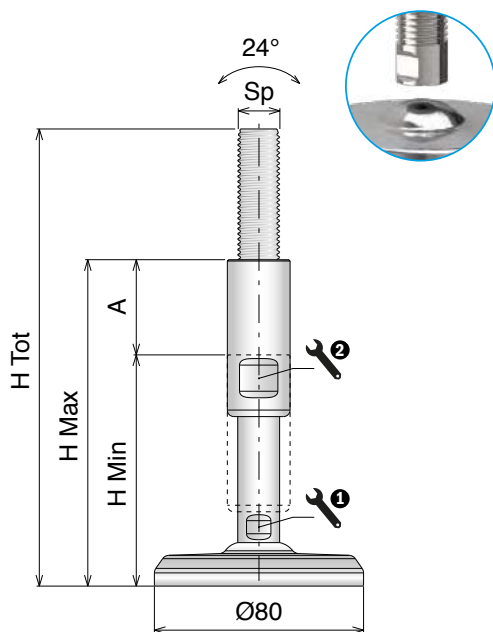


HIGH LOAD



SLIT VERSION

Art-Nr.	Sp	H Tot (mm)	H Min (mm)	H Max (mm)	A (mm)	1 (mm)	2 (mm)	Load (N)
902683	M12	176,5	96,5	141,5	45	10	17	12.000
902684		226,5	126,5	191,5	65	10	17	
902685	M16	176,5	96,5	141,5	45	13	19	30.000
902686		226,5	126,5	191,5	65	13	19	
902687	M20	176,5	96,5	141,5	45	17	24	45.000
902688		226,5	126,5	191,5	65	17	24	
902689	M24	176,5	96,5	141,5	45	19	30	60.000
902690		226,5	126,5	191,5	65	19	30	
902691	M30	176,5	96,5	141,5	45	24	36	60.000
902692		226,5	126,5	191,5	65	24	36	
902693		286,5	186,5	251,5	65	24	36	
902694	M36	176,5	96,5	141,5	45	30	42	60.000
902695		226,5	126,5	191,5	65	30	42	
902696		286,5	186,5	251,5	65	30	42	



## Ø80

DIAMETER (mm)



HIGH LOAD



SLIT VERSION

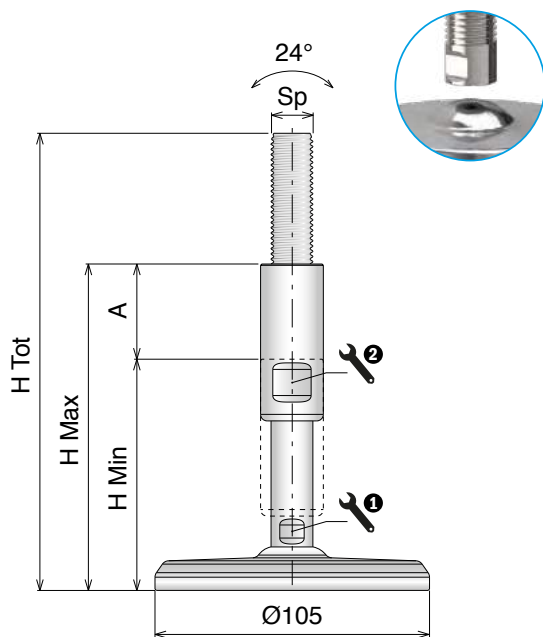
Art-Nr.	Sp	H Tot (mm)	H Min (mm)	H Max (mm)	A (mm)	1 (mm)	2 (mm)	Load (N)
902697	M12	176,5	97,5	142,5	45	10	17	12.000
902698		226,5	127,5	192,5	65	10	17	
902699	M16	176,5	96,5	141,5	45	13	19	30.000
902700		226,5	126,5	191,5	65	13	19	
902701	M20	176,5	96,5	141,5	45	17	24	45.000
902702		226,5	126,5	191,5	65	17	24	
902703	M24	176,5	96,5	141,5	45	19	30	70.000
902704		226,5	126,5	191,5	65	19	30	
902705	M30	176,5	96,5	141,5	45	24	36	80.000
902706		226,5	126,5	191,5	65	24	36	
902707		286,5	186,5	251,5	65	24	36	
902708	M36	176,5	96,5	141,5	45	30	42	80.000
902709		226,5	126,5	191,5	65	30	42	
902710		286,5	186,5	251,5	65	30	42	

**Materiale / Material / Materialien:**  
 Base, stelo e boccola: Acciaio inox  
 Base plate, spindle and cover: Stainless steel  
 Fussplatte, Spindel und Hülse: Edelstahl

On request vulcanized rubber can be provided  
 white or blue and spindle can be made in AISI 316.

# S400B HEAVY-SPLIT

Piedi di livellamento / Leveling feet / Nivellierfüße

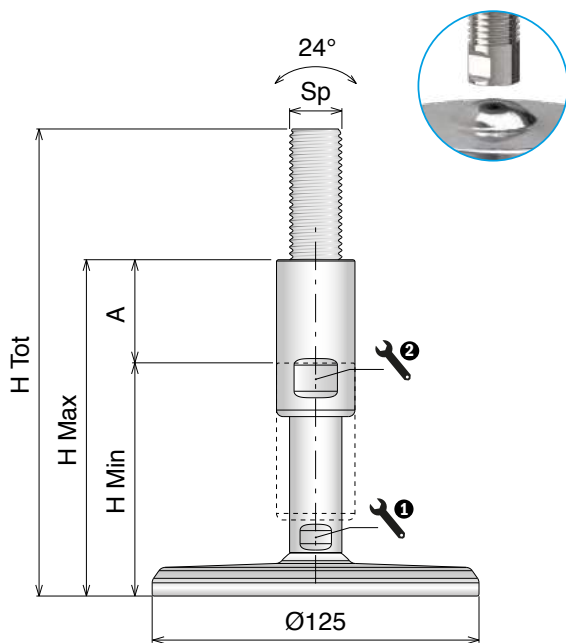


**Ø105**  
 DIAMETER (mm)

**Kg**  
 HIGH LOAD

**SLIT VERSION**

Art-Nr.	Sp	H Tot (mm)	H Min (mm)	H Max (mm)	A (mm)	1 (mm)	2 (mm)	Load (N)
<b>902711</b>	M12	176,5	96,5	141,5	45	10	17	12.000
<b>902712</b>		226,5	126,5	191,5	65	10	17	
<b>902713</b>	M16	176,5	96,5	141,5	45	13	19	30.000
<b>902714</b>		226,5	126,5	191,5	65	13	19	
<b>902715</b>	M20	176,5	96,5	141,5	45	17	24	45.000
<b>902716</b>		226,5	126,5	191,5	65	17	24	
<b>902717</b>	M24	176,5	96,5	141,5	45	19	30	70.000
<b>902718</b>		226,5	126,5	191,5	65	19	30	
<b>902719</b>	M30	176,5	96,5	141,5	45	24	36	100.000
<b>902720</b>		226,5	126,5	191,5	65	24	36	
<b>902721</b>		286,5	186,5	251,5	65	24	36	
<b>902722</b>	M36	176,5	96,5	141,5	45	30	42	120.000
<b>902723</b>		226,5	126,5	191,5	65	30	42	
<b>902724</b>		286,5	186,5	251,5	65	30	42	



**Ø125**  
 DIAMETER (mm)

**Kg**  
 HIGH LOAD

**SLIT VERSION**

Art-Nr.	Sp	H Tot (mm)	H Min (mm)	H Max (mm)	A (mm)	1 (mm)	2 (mm)	Load (N)
<b>902725</b>	M12	176,5	96,5	141,5	45	10	17	12.000
<b>902726</b>		226,5	126,5	191,5	65	10	17	
<b>902727</b>	M16	176,5	96,5	141,5	45	13	19	30.000
<b>902728</b>		226,5	126,5	191,5	65	13	19	
<b>902729</b>	M20	176,5	96,5	141,5	45	17	24	45.000
<b>902730</b>		226,5	126,5	191,5	65	17	24	
<b>902731</b>	M24	176,5	96,5	141,5	45	19	30	70.000
<b>902732</b>		226,5	126,5	191,5	65	19	30	
<b>902733</b>	M30	176,5	96,5	141,5	45	24	36	100.000
<b>902734</b>		226,5	126,5	191,5	65	24	36	
<b>902735</b>		286,5	186,5	251,5	65	24	36	
<b>902736</b>	M36	176,5	96,5	141,5	45	30	42	130.000
<b>902737</b>		226,5	126,5	191,5	65	30	42	
<b>902738</b>		286,5	186,5	251,5	65	30	42	

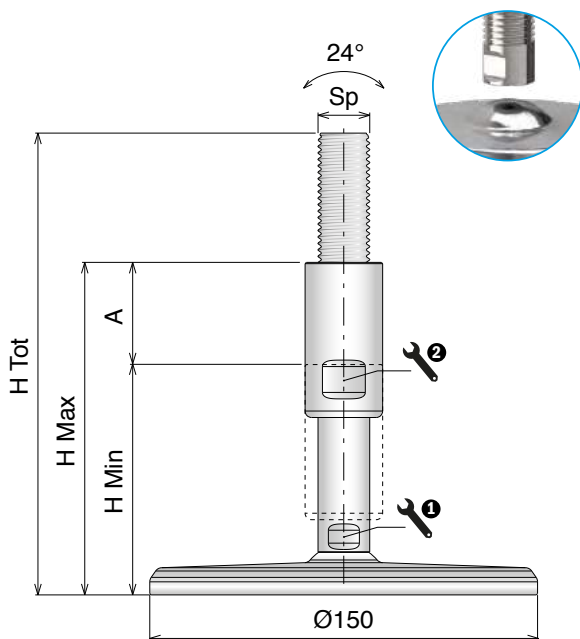
# S400B HEAVY-SPLIT

Piedi di livellamento / Leveling feet / Nivellierfüße

On request vulcanized rubber can be provided  
white or blue and spindle can be made in AISI 316.

**Materiale / Material / Materialien:**

Base, stelo e boccola: Acciaio inox  
Base plate, spindle and cover: Stainless steel  
Fussplatte, Spindel und Hülse: Edelstahl



## Ø150

DIAMETER (mm)

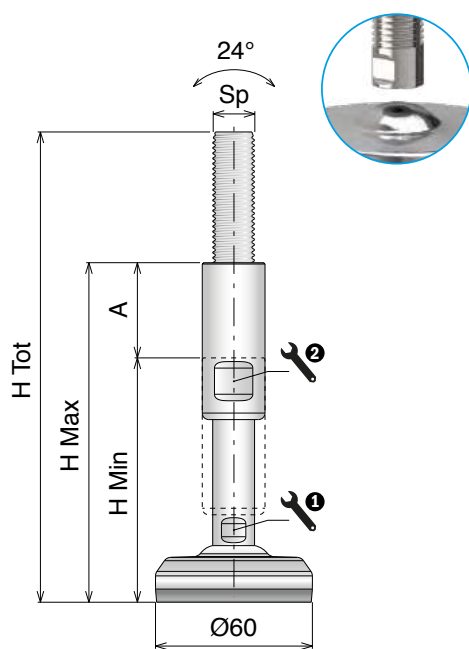


HIGH LOAD



SLIT VERSION

Art-Nr.	Sp	H Tot (mm)	H Min (mm)	H Max (mm)	A (mm)	1 (mm)	2 (mm)	Load (N)
902739	M12	176,5	96,5	141,5	45	10	17	12.000
902740		226,5	126,5	191,5	65	10	17	
902741	M16	176,5	96,5	141,5	45	13	19	30.000
902742		226,5	126,5	191,5	65	13	19	
902743	M20	176,5	96,5	141,5	45	17	24	45.000
902744		226,5	126,5	191,5	65	17	24	
902745	M24	176,5	96,5	141,5	45	19	30	70.000
902746		226,5	126,5	191,5	65	19	30	
902747	M30	176,5	96,5	141,5	45	24	36	100.000
902748		226,5	126,5	191,5	65	24	36	
902749		286,5	186,5	251,5	65	24	36	
902750	M36	176,5	96,5	141,5	45	30	42	150.000
902751		226,5	126,5	191,5	65	30	42	
902752		286,5	186,5	251,5	65	30	42	



## Ø60

DIAMETER (mm)



HIGH LOAD



SLIT VERSION



ANTI-SLIP

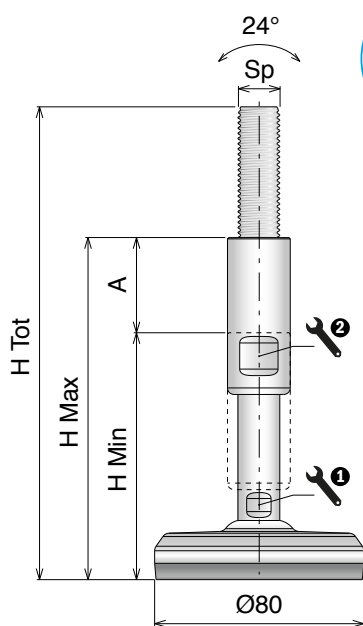
Art-Nr.	Sp	H Tot (mm)	H Min (mm)	H Max (mm)	A (mm)	1 (mm)	2 (mm)	Load (N)
902753	M12	181,5	101,5	146,5	45	10	17	12.000
902754		231,5	131,5	196,5	65	10	17	
902755	M16	181,5	101,5	146,5	45	13	19	30.000
902756		231,5	131,5	196,5	65	13	19	
902757	M20	181,5	101,5	146,5	45	17	24	45.000
902758		231,5	131,5	196,5	65	17	24	
902759	M24	181,5	101,5	146,5	45	19	30	60.000
902760		231,5	131,5	196,5	65	19	30	
902761	M30	181,5	101,5	146,5	45	24	36	60.000
902762		231,5	131,5	196,5	65	24	36	
902763		291,5	191,5	256,5	65	24	36	
902764	M36	181,5	101,5	146,5	45	30	42	60.000
902765		231,5	131,5	196,5	65	30	42	
902766		291,5	191,5	256,5	65	30	42	

**Materiale / Material / Materialien:**  
 Base, stelo e boccola: Acciaio inox  
 Base plate, spindle and cover: Stainless steel  
 Fussplatte, Spindel und Hülse: Edelstahl

On request vulcanized rubber can be provided  
 white or blue and spindle can be made in AISI 316.

# S400B HEAVY-SPLIT

Piedi di livellamento / Leveling feet / Nivellierfüße



Ø80

DIAMETER (mm)



HIGH LOAD

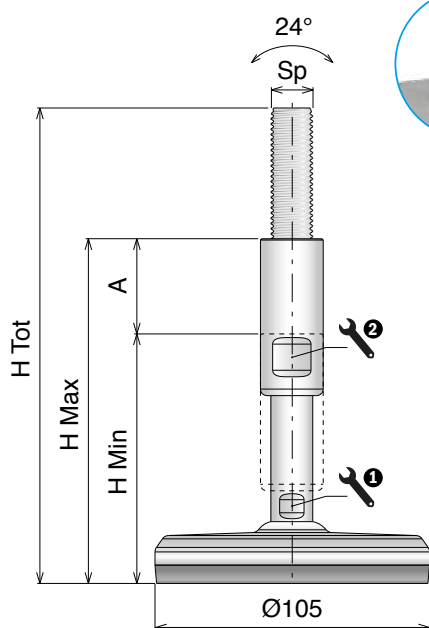


SLIT VERSION



ANTI-SLIP

Art-Nr.	Sp	H Tot (mm)	H Min (mm)	H Max (mm)	A (mm)	1 (mm)	2 (mm)	Load (N)
<b>902767</b>	M12	182,5	102,5	147,5	45	10	17	12.000
<b>902768</b>		232,5	132,5	197,5	65	10	17	
<b>902769</b>	M16	182,5	102,5	147,5	45	13	19	30.000
<b>902770</b>		232,5	132,5	197,5	65	13	19	
<b>902771</b>	M20	182,5	102,5	147,5	45	17	24	45.000
<b>902772</b>		232,5	132,5	197,5	65	17	24	
<b>902773</b>	M24	182,5	102,5	147,5	45	19	30	70.000
<b>902774</b>		232,5	132,5	197,5	65	19	30	
<b>902775</b>	M30	182,5	102,5	147,5	45	24	36	80.000
<b>902776</b>		232,5	132,5	197,5	65	24	36	
<b>902777</b>		292,5	192,5	257,5	65	24	36	
<b>902778</b>	M36	182,5	102,5	147,5	45	30	42	80.000
<b>902779</b>		232,5	132,5	197,5	65	30	42	
<b>902780</b>		292,5	192,5	257,5	65	30	42	



Ø105

DIAMETER (mm)



HIGH LOAD



SLIT VERSION



ANTI-SLIP

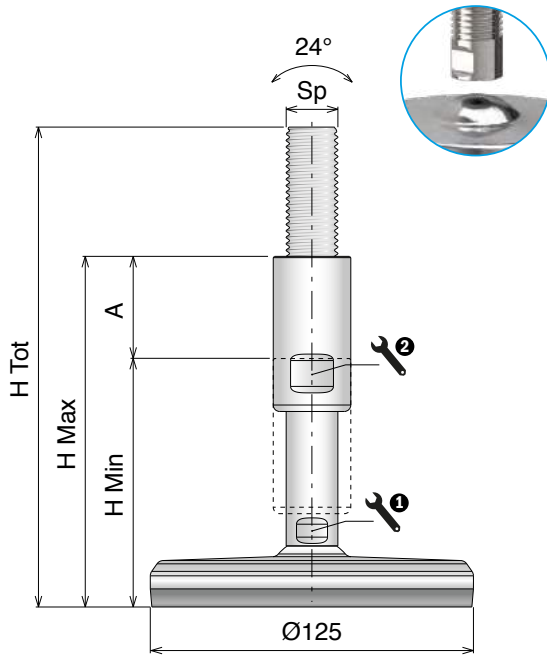
Art-Nr.	Sp	H Tot (mm)	H Min (mm)	H Max (mm)	A (mm)	1 (mm)	2 (mm)	Load (N)
<b>902781</b>	M12	183,5	103,5	148,5	45	10	17	12.000
<b>902782</b>		233,5	133,5	198,5	65	10	17	
<b>902783</b>	M16	183,5	103,5	148,5	45	13	19	30.000
<b>902784</b>		233,5	133,5	198,5	65	13	19	
<b>902785</b>	M20	183,5	103,5	148,5	45	17	24	45.000
<b>902786</b>		233,5	133,5	198,5	65	17	24	
<b>902787</b>	M24	183,5	103,5	148,5	45	19	30	70.000
<b>902788</b>		233,5	133,5	198,5	65	19	30	
<b>902789</b>	M30	183,5	103,5	148,5	45	24	36	100.000
<b>902790</b>		233,5	133,5	198,5	65	24	36	
<b>902791</b>		293,5	193,5	258,5	65	24	36	
<b>902792</b>	M36	183,5	103,5	148,5	45	30	42	120.000
<b>902793</b>		233,5	133,5	198,5	65	30	42	
<b>902794</b>		293,5	193,5	258,5	65	30	42	

# S400B HEAVY-SPLIT

Piedi di livellamento / Leveling feet / Nivellierfüße

On request vulcanized rubber can be provided  
white or blue and spindle can be made in AISI 316.

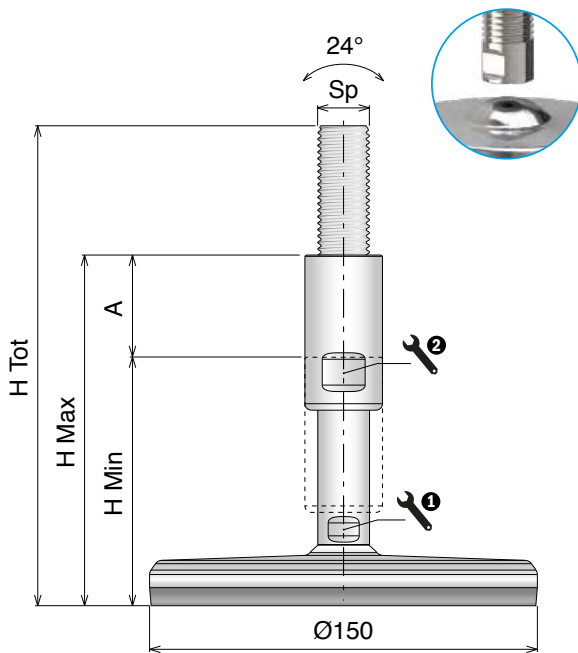
**Materiale / Material / Materialien:**  
Base, stelo e boccola: Acciaio inox  
Base plate, spindle and cover: Stainless steel  
Fussplatte, Spindel und Hülse: Edelstahl



**Ø125**  
DIAMETER (mm)



Art-Nr.	Sp	H Tot (mm)	H Min (mm)	H Max (mm)	A (mm)	1 (mm)	2 (mm)	Load (N)
902795	M12	183,5	103,5	148,5	45	10	17	12.000
902796		233,5	133,5	198,5	65	10	17	
902797	M16	183,5	103,5	148,5	45	13	19	30.000
902798		233,5	133,5	198,5	65	13	19	
902799	M20	233,5	103,5	148,5	45	17	24	45.000
902800		234,5	133,5	198,5	65	17	24	
902801	M24	183,5	103,5	148,5	45	19	30	70.000
902802		233,5	133,5	198,5	65	19	30	
902803	M30	183,5	103,5	148,5	45	24	36	100.000
902804		233,5	133,5	198,5	65	24	36	
902805		293,5	193,5	258,5	65	24	36	
902806	M36	183,5	103,5	148,5	45	30	42	130.000
902807		233,5	133,5	198,5	65	30	42	
902808		293,5	193,5	258,5	65	30	42	



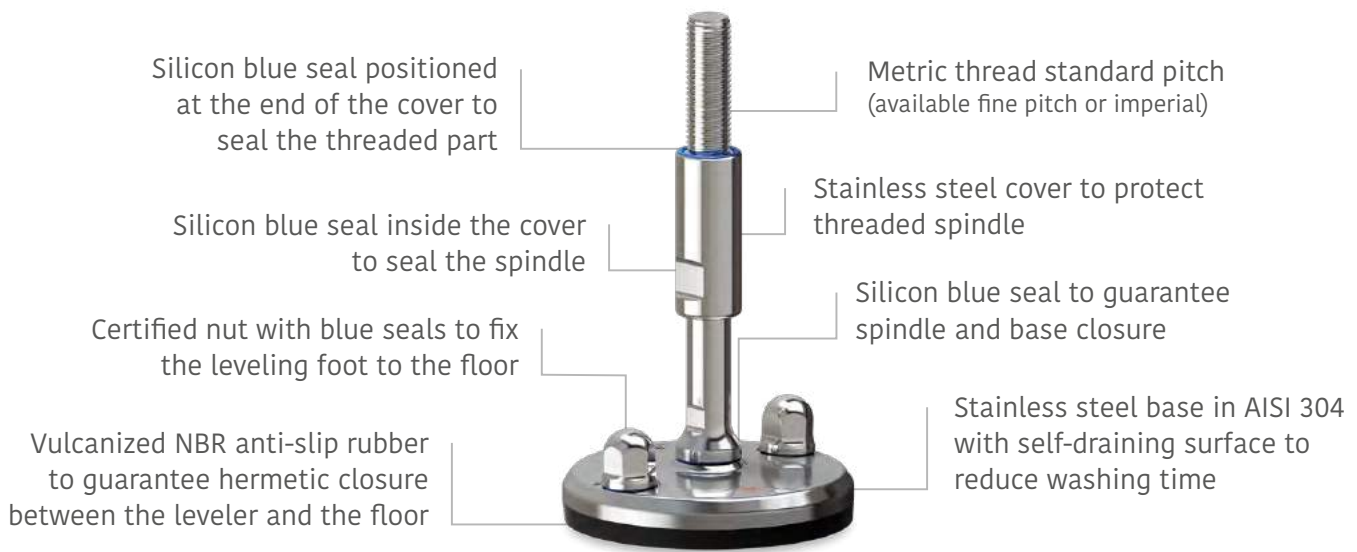
**Ø150**  
DIAMETER (mm)



Art-Nr.	Sp	H Tot (mm)	H Min (mm)	H Max (mm)	A (mm)	1 (mm)	2 (mm)	Load (N)
902809	M12	183,5	103,5	148,5	45	10	17	12.000
902810		233,5	133,5	198,5	65	10	17	
902811	M16	183,5	103,5	148,5	45	13	19	30.000
902812		233,5	133,5	198,5	65	13	19	
902813	M20	183,5	103,5	148,5	45	17	24	45.000
902814		233,5	133,5	198,5	65	17	24	
902815	M24	183,5	103,5	148,5	45	19	30	70.000
902816		233,5	133,5	198,5	65	19	30	
902817	M30	183,5	103,5	148,5	45	24	36	100.000
902818		233,5	133,5	198,5	65	24	36	
902819		293,5	193,5	258,5	65	24	36	
902820	M36	183,5	103,5	148,5	45	30	42	150.000
902821		233,5	133,5	198,5	65	30	42	
902822		293,5	193,5	258,5	65	30	42	

## NEW C500 Series

HYGIENIC AND CERTIFIED  
STAINLESS STEEL LEVELERS



The **C500 series** is the best choice for industrial environments with critical hygienic level, like dairy, food, chemical and pharmaceutical industries, subjected to daily washing cycles.

It offers a complete protection against bacterial proliferation and guarantees reduced washing cycle time as well as self-draining surfaces able to drain external elements easier than traditional systems.

The new **C500 series** with hygienic stainless steel follows actual regulations and is approved by 3A and EHEDG normative. Base, spindle and cover are produced exclusively in AISI 304, with surface finishing lower than 0,8  $\mu\text{m}$ , silicon blue seals are FDA approved and easily detectable by industrial scanner.



### HYGIENIC DESIGN

Completely sanitized and certified



### SAVING (Energy, water, detergents)

Fewer resources for sanitation



### SUPERIOR DURABILITY

Thanks to the threaded part's cover



### CLEANLINESS

Reduced washing cycle

## AVAILABLE RANGE

The **C500 series** is available as following versions:

### C500 Series

For standard applications, hygienic and certified.

### C500 Series SPLIT

For application with higher floor slope or where separate base and spindle is required.

### C500 Series HEAVY

For high load applications.

### C500 Series HEAVY-SPLIT

For high load applications where the separate base and spindle is required.

Every above version offers excellent hygienic performances.

## CERTIFICATIONS

The **C500 series** has 3A and EHEDG certifications, provided based on the selected type.

These certifications are released by no profit associations that protect consumers, guaranteeing products made according to the internal standards. This applies to all processes and components in contact directly or indirectly with every single food. Movex is committed to offer a high quality product in according to the most recent normative.



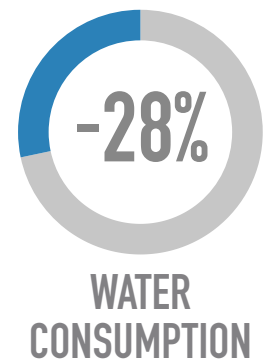
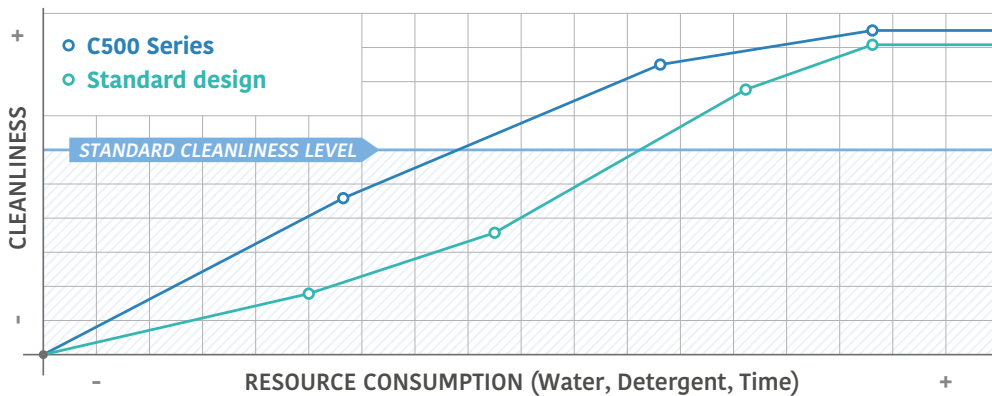
- Non-profit European consortium
- Regulations for food manufacturers, machine food manufactures and food raw material suppliers
- Research institutes and universities
  - Government health agencies
  - Approximately 45 guidelines



- Non-profit American association
- Regulations for food manufacturers, machine food manufactures and food raw material suppliers
  - Public and governmental health agencies
  - Over 70 guidelines

## WHY CHOOSE A CERTIFIED PRODUCT?

### Calculated saving



The stainless steel self-draining surfaces help the entire washing process, reducing time and resources consumption.

### UV ray analysis

The real difference between a conventional leveler and the hygienic and certified **C500 series** is invisible with human eyes.

If we compare two levelers that have been subjected to the same washing process, they will both look clean and sanitized; but analyzed with UV ray, we will see that the conventional solution is still contaminated by bacteria (see picture).





# C500 Series

## DECLARATION OF CONFORMITY

**C500, C500-HEAVY, C500-SPLIT, C500-HEAVY-SPLIT** series are certified 3A and EHEDG, following product details.

### FEATURES



#### Base, spindle and cover material:

- Stainless steel AISI 304 (1.4301) – available also in AISI 316 (1.4401) on request

#### Anti-slip rubber:

- NBR rubber, color black
- Hardness: 70-75 Shore-A
- Working temperature:  $-30^{\circ}\text{C} \div 110^{\circ}\text{C}$
- Compliant to REACH (CE 1907-2006)
- Compliant to ROHS&ROHS 2 (2002/95/EC)

#### Seals:

- Silicone rubber, color blue
- Hardness: 60 Shore-A
- Working temperature:  $-60^{\circ}\text{C} \div 200^{\circ}\text{C}$
- Compliant to FDA normative

#### Ref. Norms.



The **C500 series** and all its versions (**HEAVY**, **SPLIT** and **HEAVY-SPLIT**) are the ideal choice for all those environments where hygienic level is constantly monitored (dairy, food, chemical and pharmaceutical industries) subjected to daily washing cycles.

Self-draining surfaces with roughness lower than  $0,8 \mu\text{m}$  and the 3 seals (blue silicone detectable with food scanner) placed respectively inside the cover and between the spindle and the baseplate guarantee a hermetic closure, avoiding any external parts infiltration.

Following **3A** normative, levelers are properly installed when they provide a minimum clearance between the lowest part of the equipment and the floor of not less than 4.0 in. (102 mm) when the equipment base outlines an area in which no point is more than 12.5 in. (318 mm) from the nearest edge of the base, or a clearance of at least 6 in. (152 mm) when any point is more than 12.5 in. (318 mm) from the nearest edge.

Following **EHEDG** normative, recommended distance between floor and machined is at least 300 mm. Levelers with fixation need to be installed always with Movex certified nuts, on the contrary the company will not guarantee certifications requirements (follow installation manual – floor fixation, provided with every delivery).

Movex supplies all certified levelers with seals (unlosable); nevertheless, the end user should always check correct seals position before proceeding with the installation (follow installation manual, provided with every delivery).

**C500 levelers** have great resistance to the most common industrial detergents, following material specifications, compatible with producer specifications.

For a correct execution, please always follow provided manual (maintenance and cleaning manual, included in every delivery).

## NEW C500 Series

HYGIENIC AND CERTIFIED STAINLESS STEEL LEVELERS

Delivery: **Easy** **Standard**

### C500

#### Main features:

- Overmolded self-draining baseplate in AISI 304
- Spindle and cover in AISI 304
- Blue seals for hermetic closure
- Vulcanized anti-slip NBR rubber

#### Other versions available:

- Single floor fixation



### C500 SPLIT

#### Main features:

- Overmolded self-draining baseplate in AISI 304
- Spindle and cover in AISI 304
- Blue seals for hermetic closure
- Vulcanized anti-slip NBR rubber
- Separate spindle and baseplate



### C500 HEAVY

#### Main features:

- Full machined self-draining baseplate in AISI 304
- Spindle and cover in AISI 304
- Blue seals for hermetic closure
- Vulcanized anti-slip NBR rubber

#### Other versions available:

- Double floor fixation



### C500 HEAVY-SPLIT

#### Main features:

- Full machined self-draining baseplate in AISI 304
- Spindle and cover in AISI 304
- Blue seals for hermetic closure
- Vulcanized anti-slip NBR rubber
- Separate spindle and baseplate



The **C500 series**, with baseplate in AISI 304 stainless steel, threaded spindle with cover and hermetic seals is the best choice for industrial environments with critical hygienic level, like dairy, food, chemical and pharmaceutical industries, subjected to daily washing cycles.

The stainless steel baseplate and its particular shape guarantee an excellent cleanability, especially in critical conditions; the stainless steel cover offers 100% thread protection and avoids its exposure to external agents; the three seals (blue silicone detectable with food scanner) placed respectively inside the cover and between the spindle and the baseplate guarantee a hermetic closure, avoiding any external parts infiltration and the NBR rubber guarantees anti-slip properties and hermetic closure between the leveler and the floor.

Maximum compressive strength (static load) as in the table, maximum tensile strength (static load) 4.000 N (S400); 8.000 N (S400 HEAVY); NOT AVAILABLE (SPLIT and HEAVY-SPLIT).

The **C500 series** can also be combined with hygienic bolts, nuts and covers for perfect sanitation.

Accessori / Accessories / Zubehör

Find out more details on page 643/644

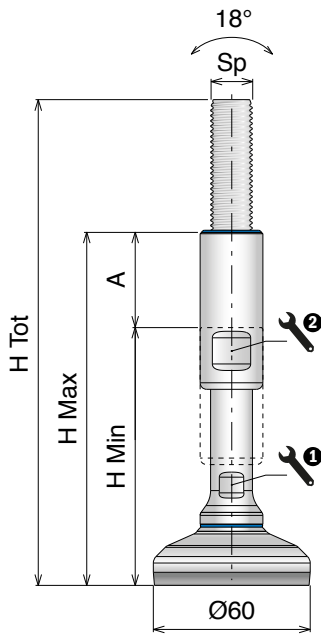
**Materiale / Material / Materialien:**

Base, stelo, rondella e boccia: Acciaio inox  
 Base plate, spindle, washer and cover: Stainless steel  
 Fussplatte, Spindel, Scheibe und Hülse: Edelstahl

On request vulcanized rubber can be provided  
 white or blue and spindle can be made in AISI 316.

# C500 Series

Piedi di livellamento / Leveling feet / Nivellierfüße

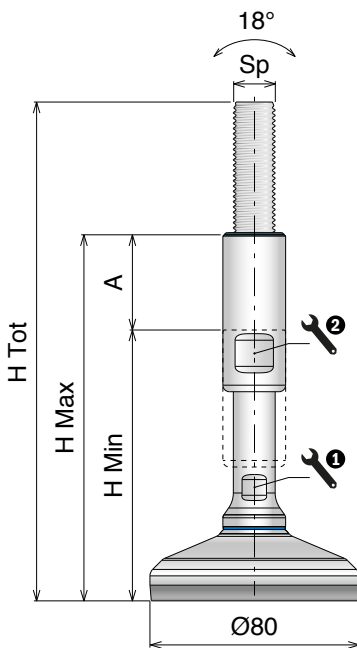


## Ø60

DIAMETER (mm)



Art-Nr.	Sp	H Tot (mm)	H Min (mm)	H Max (mm)	A (mm)	1 (mm)	2 (mm)	Load (N)
902823	M12	185	105	150	45	10	17	4.500
902824		235	135	200	65	10	17	
902825	M16	185	105	150	45	13	19	4.500
902826		235	135	200	65	13	19	
902827	M20	185	105	150	45	17	24	4.500
902828		235	135	200	65	17	24	
902829	M24	185	105	150	45	19	30	4.500
902830		235	135	200	65	19	30	
902831	M30	185	105	150	45	24	36	4.500
902832		235	135	200	65	24	36	
902833		295	195	260	65	24	36	
902834	M36	185	105	150	45	30	42	4.500
902835		235	135	200	65	30	42	
902836		295	195	260	65	30	42	



## Ø80

DIAMETER (mm)



Art-Nr.	Sp	H Tot (mm)	H Min (mm)	H Max (mm)	A (mm)	1 (mm)	2 (mm)	Load (N)
902837	M12	190	110	155	45	10	17	12.000
902838		240	140	205	65	10	17	
902839	M16	190	110	155	45	13	19	15.000
902840		240	140	205	65	13	19	
902841	M20	190	110	155	45	17	24	15.000
902842		240	140	205	65	17	24	
902843	M24	190	110	155	45	19	30	15.000
902844		240	140	205	65	19	30	
902845	M30	190	110	155	45	24	36	15.000
902846		240	140	205	65	24	36	
902847		300	200	265	65	24	36	
902848	M36	190	110	155	45	30	42	15.000
902849		240	140	205	65	30	42	
902850		300	200	265	65	30	42	

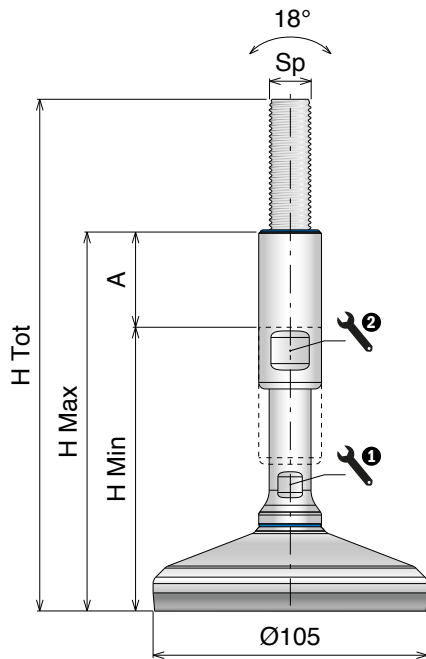
# C500 Series

Piedi di livellamento / Leveling feet / Nivellierfüße

On request vulcanized rubber can be provided  
white or blue and spindle can be made in AISI 316.

**Materiale / Material / Materialien:**

Base, stelo, rondella e boccia: Acciaio inox  
Base plate, spindle, washer and cover: Stainless steel  
Fussplatte, Spindel, Scheibe und Hülse: Edelstahl

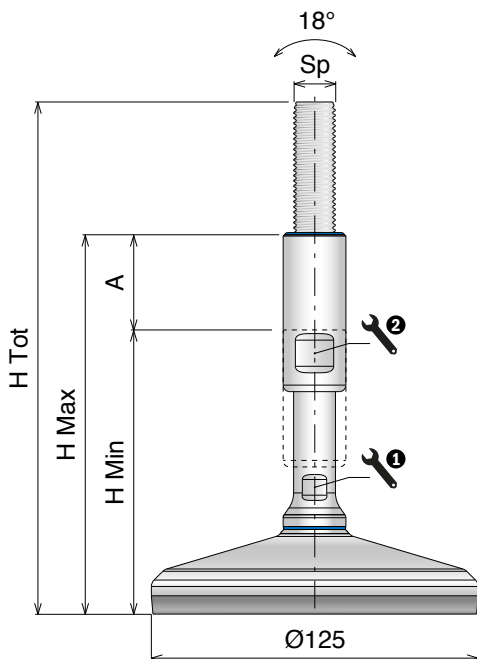


## Ø105

DIAMETER (mm)



Art-Nr.	Sp	H Tot (mm)	H Min (mm)	H Max (mm)	A (mm)	1 (mm)	2 (mm)	Load (N)
902851	M12	195	115	160	45	10	17	12.000
902852		245	145	210	65	10	17	
902853	M16	195	115	160	45	13	19	25.000
902854		245	145	210	65	13	19	
902855	M20	195	115	160	45	17	24	25.000
902856		245	145	210	65	17	24	
902857	M24	195	115	160	45	19	30	25.000
902858		245	145	210	65	19	30	
902859	M30	195	115	160	45	24	36	25.000
902860		245	145	210	65	24	36	
902861		305	205	270	65	24	36	
902862	M36	195	115	160	45	30	42	25.000
902863		245	145	210	65	30	42	
902864		305	205	270	65	30	42	



## Ø125

DIAMETER (mm)



Art-Nr.	Sp	H Tot (mm)	H Min (mm)	H Max (mm)	A (mm)	1 (mm)	2 (mm)	Load (N)
902865	M12	195	115	160	45	10	17	12.000
902866		245	145	210	65	10	17	
902867	M16	195	115	160	45	13	19	30.000
902868		245	145	210	65	13	19	
902869	M20	195	115	160	45	17	24	30.000
902870		245	145	210	65	17	24	
902871	M24	195	115	160	45	19	30	30.000
902872		245	145	210	65	19	30	
902873	M30	195	115	160	45	24	36	30.000
902874		245	145	210	65	24	36	
902875		305	205	270	65	24	36	
902876	M36	195	115	160	45	30	42	30.000
902877		245	145	210	65	30	42	
902878		305	205	270	65	30	42	



**CERTIFIED PRODUCTS**

ASK FOR CERTIFICATION:  
certificate@movexii.com

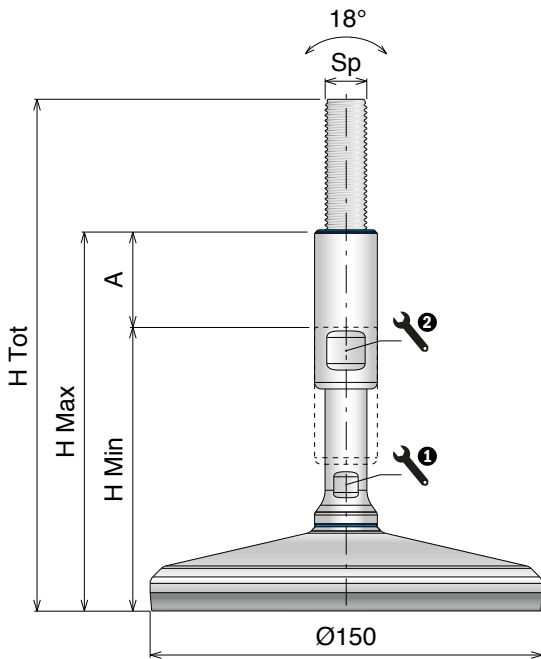
**Materiale / Material / Materialien:**

Base, stelo, rondella e boccia: Acciaio inox  
 Base plate, spindle, washer and cover: Stainless steel  
 Fussplatte, Spindel, Scheibe und Hülse: Edelstahl

On request vulcanized rubber can be provided  
 white or blue and spindle can be made in AISI 316.

# C500 Series

Piedi di livellamento / Leveling feet / Nivellierfüße

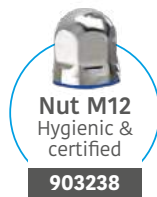
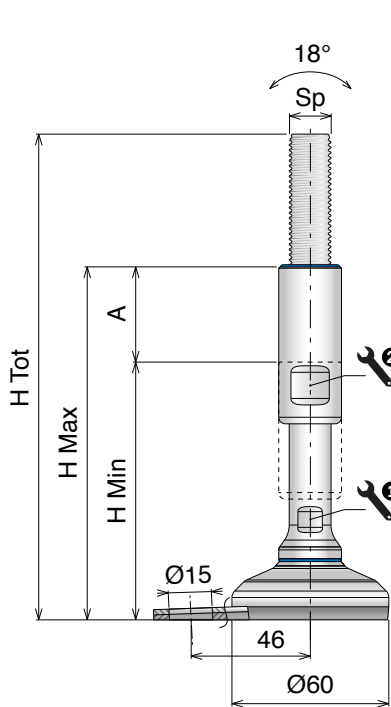


## Ø150

DIAMETER (mm)

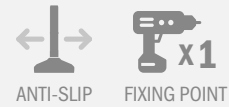


Art-Nr.	Sp	H Tot (mm)	H Min (mm)	H Max (mm)	A (mm)	1 (mm)	2 (mm)	Load (N)
902879	M12	195	115	160	45	10	17	12.000
902880		245	145	210	65	10	17	
902881	M16	195	115	160	45	13	19	30.000
902882		245	145	210	65	13	19	
902883	M20	195	115	160	45	17	24	45.000
902884		245	145	210	65	17	24	
902885	M24	195	115	160	45	19	30	45.000
902886		245	145	210	65	19	30	
902887	M30	195	115	160	45	24	36	45.000
902888		245	145	210	65	24	36	
902889		305	205	270	65	24	36	
902890	M36	195	115	160	45	30	42	45.000
902891		245	145	210	65	30	42	
902892		305	205	270	65	30	42	



## Ø60

DIAMETER (mm)



Art-Nr.	Sp	H Tot (mm)	H Min (mm)	H Max (mm)	A (mm)	1 (mm)	2 (mm)	Load (N)
902893	M12	185	105	150	45	10	17	4.500
902894		235	135	200	65	10	17	
902895	M16	185	105	150	45	13	19	4.500
902896		235	135	200	65	13	19	
902897	M20	185	105	150	45	17	24	4.500
902898		235	135	200	65	17	24	
902899	M24	185	105	150	45	19	30	4.500
902900		235	135	200	65	19	30	
902901	M30	185	105	150	45	24	36	4.500
902902		235	135	200	65	24	36	
902903		295	195	260	65	24	36	
902904	M36	185	105	150	45	30	42	4.500
902905		235	135	200	65	30	42	
902906		295	195	260	65	30	42	



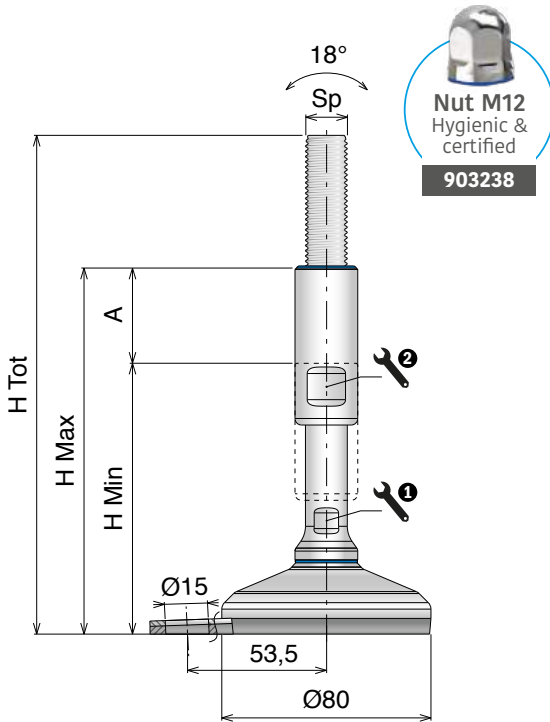
# C500 Series

Piedi di livellamento / Leveling feet / Nivellierfüße

On request vulcanized rubber can be provided  
white or blue and spindle can be made in AISI 316.

## Materiale / Material / Materialien:

Base, stelo, rondella e boccola: Acciaio inox  
Base plate, spindle, washer and cover: Stainless steel  
Fussplatte, Spindel, Scheibe und Hülse: Edelstahl



## $\varnothing 80$

DIAMETER (mm)

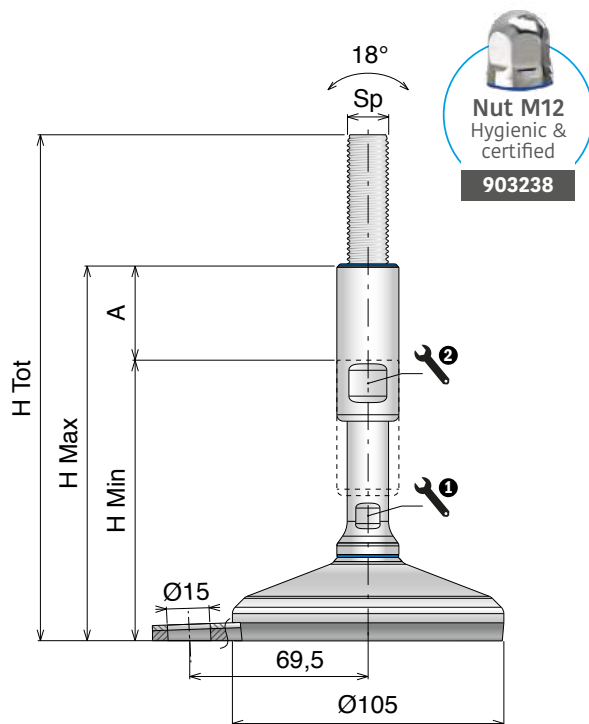


ANTI-SLIP



FIXING POINT

Art-Nr.	Sp	H Tot (mm)	H Min (mm)	H Max (mm)	A (mm)	1 (mm)	2 (mm)	Load (N)
902907	M12	190	110	155	45	10	17	12.000
902908		240	140	205	65	10	17	
902909	M16	190	110	155	45	13	19	15.000
902910		240	140	205	65	13	19	
902911	M20	190	110	155	45	17	24	15.000
902912		240	140	205	65	17	24	
902913	M24	190	110	155	45	19	30	15.000
902914		240	140	205	65	19	30	
902915	M30	190	110	155	45	24	36	15.000
902916		240	140	205	65	24	36	
902917		300	200	265	65	24	36	
902918	M36	190	110	155	45	30	42	15.000
902919		240	140	205	65	30	42	
902920		300	200	265	65	30	42	



## $\varnothing 105$

DIAMETER (mm)



ANTI-SLIP



FIXING POINT

Art-Nr.	Sp	H Tot (mm)	H Min (mm)	H Max (mm)	A (mm)	1 (mm)	2 (mm)	Load (N)
902921	M12	195	115	160	45	10	17	12.000
902922		245	145	210	65	10	17	
902923	M16	195	115	160	45	13	19	25.000
902924		245	145	210	65	13	19	
902925	M20	195	115	160	45	17	24	25.000
902926		245	145	210	65	17	24	
902927	M24	195	115	160	45	19	30	25.000
902928		245	145	210	65	19	30	
902929	M30	195	115	160	45	24	36	25.000
902930		245	145	210	65	24	36	
902931		305	205	270	65	24	36	
902932	M36	195	115	160	45	30	42	25.000
902933		245	145	210	65	30	42	
902934		305	205	270	65	30	42	



**CERTIFIED PRODUCTS**

ASK FOR CERTIFICATION:  
certificate@movexii.com

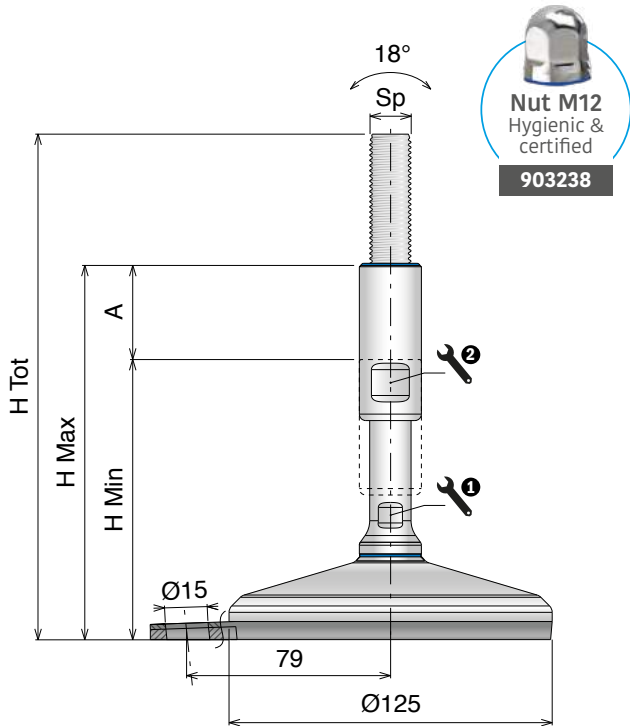
**Materiale / Material / Materialien:**

Base, stelo, rondella e boccia: Acciaio inox  
 Base plate, spindle, washer and cover: Stainless steel  
 Fussplatte, Spindel, Scheibe und Hülse: Edelstahl

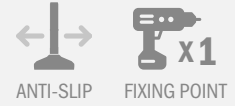
On request vulcanized rubber can be provided  
 white or blue and spindle can be made in AISI 316.

# C500 Series

Piedi di livellamento / Leveling feet / Nivellierfüße



**Ø 125**  
 DIAMETER (mm)



Art-Nr.	Sp	H Tot (mm)	H Min (mm)	H Max (mm)	A (mm)	1 (mm)	2 (mm)	Load (N)
<b>902935</b>	M12	195	115	160	45	10	17	12.000
<b>902936</b>		245	145	210	65	10	17	
<b>902937</b>	M16	195	115	160	45	13	19	30.000
<b>902938</b>		245	145	210	65	13	19	
<b>902939</b>	M20	195	115	160	45	17	24	30.000
<b>902940</b>		245	145	210	65	17	24	
<b>902941</b>	M24	195	115	160	45	19	30	30.000
<b>902942</b>		245	145	210	65	19	30	
<b>902943</b>	M30	195	115	160	45	24	36	30.000
<b>902944</b>		245	145	210	65	24	36	
<b>902945</b>		305	205	270	65	24	36	
<b>902946</b>	M36	195	115	160	45	30	42	30.000
<b>902947</b>		245	145	210	65	30	42	
<b>902948</b>		305	205	270	65	30	42	



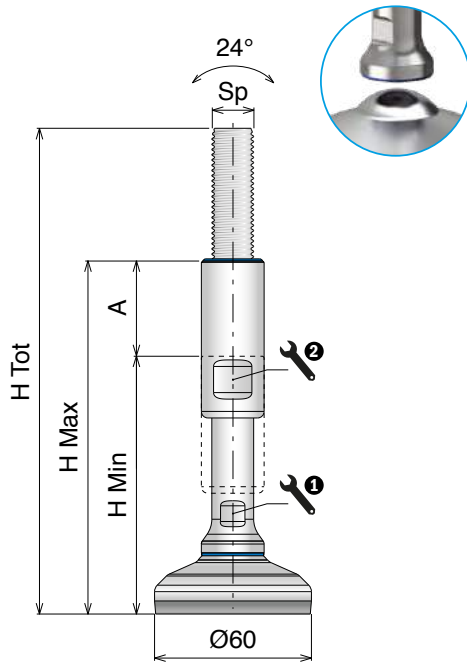
**CERTIFIED PRODUCTS**  
 ASK FOR CERTIFICATION:  
[certificate@movexii.com](mailto:certificate@movexii.com)

# C500 SPLIT

Piedi di livellamento / Leveling feet / Nivellierfüße

On request vulcanized rubber can be provided  
white or blue and spindle can be made in AISI 316.

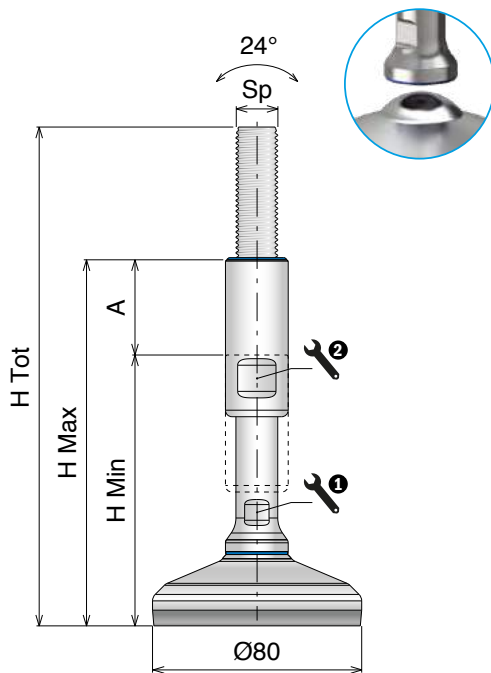
**Materiale / Material / Materialien:**  
Base, stelo e boccola: Acciaio inox  
Base plate, spindle and cover: Stainless steel  
Fussplatte, Spindel und Hülse: Edelstahl



**Ø60**  
DIAMETER (mm)



Art-Nr.	Sp	H Tot (mm)	H Min (mm)	H Max (mm)	A (mm)	1 (mm)	2 (mm)	Load (N)
902949	M12	185	105	150	45	10	17	4.500
902950		235	135	200	65	10	17	
902951	M16	185	105	150	45	13	19	4.500
902952		235	135	200	65	13	19	
902953	M20	185	105	150	45	17	24	4.500
902954		235	135	200	65	17	24	
902955	M24	185	105	150	45	19	30	4.500
902956		235	135	200	65	19	30	
902957	M30	185	105	150	45	24	36	4.500
902958		235	135	200	65	24	36	
902959		295	195	260	65	24	36	
902960	M36	185	105	150	45	30	42	4.500
902961		235	135	200	65	30	42	
902962		295	195	260	65	30	42	



**Ø80**  
DIAMETER (mm)



Art-Nr.	Sp	H Tot (mm)	H Min (mm)	H Max (mm)	A (mm)	1 (mm)	2 (mm)	Load (N)
902963	M12	190	110	155	45	10	17	12.000
902964		240	140	205	65	10	17	
902965	M16	190	110	155	45	13	19	15.000
902966		240	140	205	65	13	19	
902967	M20	190	110	155	45	17	24	15.000
902968		240	140	205	65	17	24	
902969	M24	190	110	155	45	19	30	15.000
902970		240	140	205	65	19	30	
902971	M30	190	110	155	45	24	36	15.000
902972		240	140	205	65	24	36	
902973		300	200	265	65	24	36	
902974	M36	190	110	155	45	30	42	15.000
902975		240	140	205	65	30	42	
902976		300	200	265	65	30	42	



**CERTIFIED PRODUCTS**  
ASK FOR CERTIFICATION:  
certificate@movexii.com

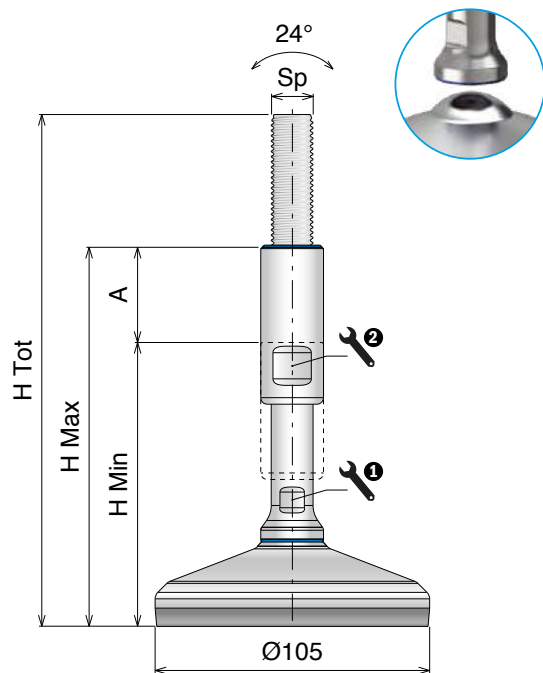


**Materiale / Material / Materialien:**  
 Base, stelo e boccia: Acciaio inox  
 Base plate, spindle and cover: Stainless steel  
 Fussplatte, Spindel und Hülse: Edelstahl

On request vulcanized rubber can be provided  
 white or blue and spindle can be made in AISI 316.

# C500 SPLIT

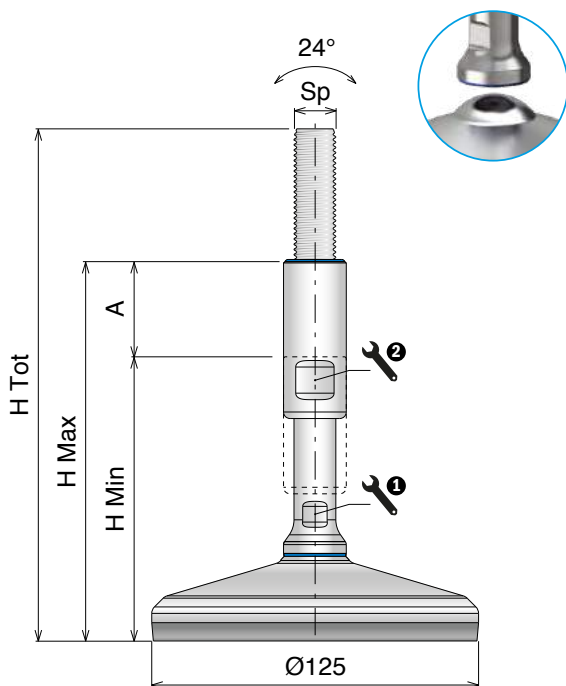
Piedi di livellamento / Leveling feet / Nivellierfüße



**Ø105**  
 DIAMETER (mm)



Art-Nr.	Sp	H Tot (mm)	H Min (mm)	H Max (mm)	A (mm)	1 (mm)	2 (mm)	Load (N)
<b>902977</b>	M12	195	115	160	45	10	17	12.000
<b>902978</b>		245	145	210	65	10	17	
<b>902979</b>	M16	195	115	160	45	13	19	25.000
<b>902980</b>		245	145	210	65	13	19	
<b>902981</b>	M20	195	115	160	45	17	24	25.000
<b>902982</b>		245	145	210	65	17	24	
<b>902983</b>	M24	195	115	160	45	19	30	25.000
<b>902984</b>		245	145	210	65	19	30	
<b>902985</b>	M30	195	115	160	45	24	36	25.000
<b>902986</b>		245	145	210	65	24	36	
<b>902987</b>		305	205	270	65	24	36	
<b>902988</b>	M36	195	115	160	45	30	42	25.000
<b>902989</b>		245	145	210	65	30	42	
<b>902990</b>		305	205	270	65	30	42	



**Ø125**  
 DIAMETER (mm)



Art-Nr.	Sp	H Tot (mm)	H Min (mm)	H Max (mm)	A (mm)	1 (mm)	2 (mm)	Load (N)
<b>902991</b>	M12	195	115	160	45	10	17	12.000
<b>902992</b>		245	145	210	65	10	17	
<b>902993</b>	M16	195	115	160	45	13	19	30.000
<b>902994</b>		245	145	210	65	13	19	
<b>902995</b>	M20	195	115	160	45	17	24	30.000
<b>902996</b>		245	145	210	65	17	24	
<b>902997</b>	M24	195	115	160	45	19	30	30.000
<b>902998</b>		245	145	210	65	19	30	
<b>902999</b>	M30	195	115	160	45	24	36	30.000
<b>903000</b>		245	145	210	65	24	36	
<b>903001</b>		305	205	270	65	24	36	
<b>903002</b>	M36	195	115	160	45	30	42	30.000
<b>903003</b>		245	145	210	65	30	42	
<b>903004</b>		305	205	270	65	30	42	



**CERTIFIED PRODUCTS**  
 ASK FOR CERTIFICATION:  
[certificate@movexii.com](mailto:certificate@movexii.com)

# C500 SPLIT

Piedi di livellamento / Leveling feet / Nivellierfüße

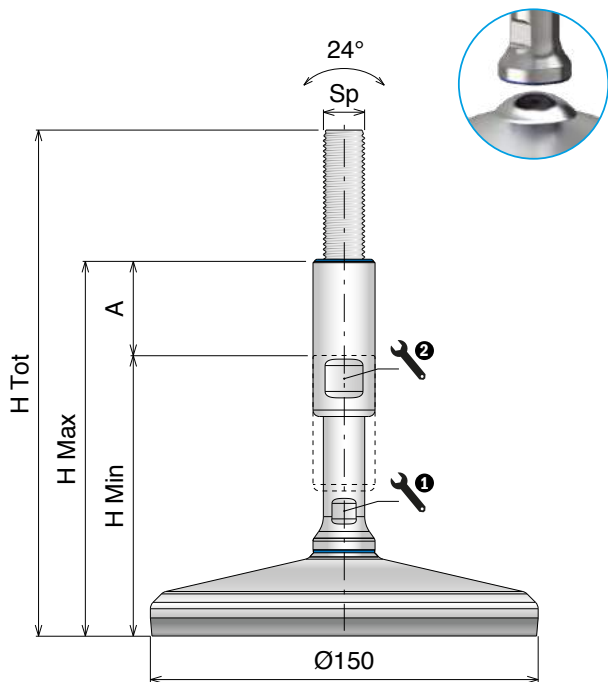
On request vulcanized rubber can be provided  
white or blue and spindle can be made in AISI 316.

**Materiale / Material / Materialien:**

Base, stelo e boccia: Acciaio inox

Base plate, spindle and cover: Stainless steel

Fussplatte, Spindel und Hülse: Edelstahl



## Ø 150

DIAMETER (mm)



SLIT VERSION ANTI-SLIP

Art-Nr.	Sp	H Tot (mm)	H Min (mm)	H Max (mm)	A (mm)	1 (mm)	2 (mm)	Load (N)
<b>903005</b>	M12	195	115	160	45	10	17	12.000
<b>903006</b>		245	145	210	65	10	17	
<b>903007</b>	M16	195	115	160	45	13	19	30.000
<b>903008</b>		245	145	210	65	13	19	
<b>903009</b>	M20	195	115	160	45	17	24	45.000
<b>903010</b>		245	145	210	65	17	24	
<b>903011</b>	M24	195	115	160	45	19	30	45.000
<b>903012</b>		245	145	210	65	19	30	
<b>903013</b>	M30	195	115	160	45	24	36	45.000
<b>903014</b>		245	145	210	65	24	36	
<b>903015</b>		305	205	270	65	24	36	
<b>903016</b>	M36	195	115	160	45	30	42	45.000
<b>903017</b>		245	145	210	65	30	42	
<b>903018</b>		305	205	270	65	30	42	



**CERTIFIED PRODUCTS**

ASK FOR CERTIFICATION:  
certificate@movexii.com

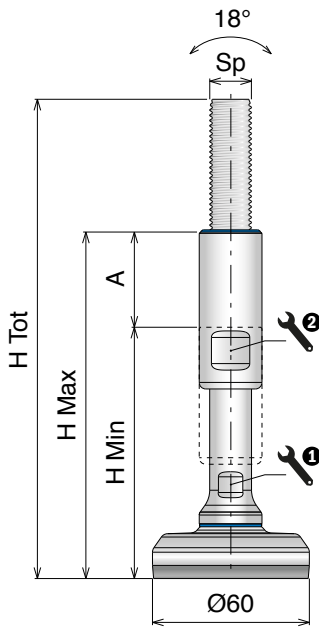
**Materiale / Material / Materialien:**

Base, stelo, rondella e boccia: Acciaio inox  
 Base plate, spindle, washer and cover: Stainless steel  
 Fussplatte, Spindel, Scheibe und Hülse: Edelstahl

On request vulcanized rubber can be provided  
 white or blue and spindle can be made in AISI 316.

# C500 HEAVY

Piedi di livellamento / Leveling feet / Nivellierfüße



## Ø60

DIAMETER (mm)

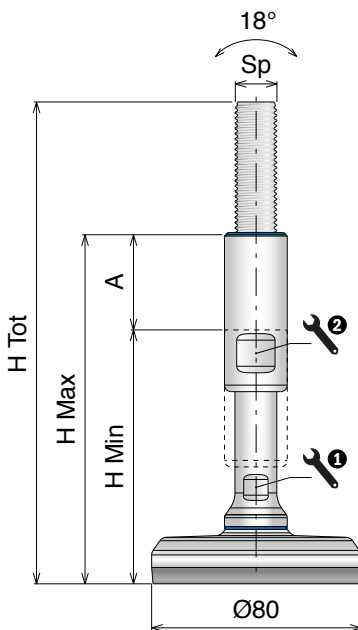


HIGH LOAD



ANTI-SLIP

Art-Nr.	Sp	H Tot (mm)	H Min (mm)	H Max (mm)	A (mm)	1 (mm)	2 (mm)	Load (N)
903019	M12	182,5	102,5	147,5	45	10	17	12.000
903020		232,5	132,5	197,5	65	10	17	
903021	M16	182,5	102,5	147,5	45	13	19	30.000
903022		232,5	132,5	197,5	65	13	19	
903023	M20	182,5	102,5	147,5	45	17	24	45.000
903024		232,5	132,5	197,5	65	17	24	
903025	M24	182,5	102,5	147,5	45	19	30	60.000
903026		232,5	132,5	197,5	65	19	30	
903027	M30	182,5	102,5	147,5	45	24	36	60.000
903028		232,5	132,5	197,5	65	24	36	
903029		292,5	192,5	257,5	65	24	36	
903030	M36	182,5	102,5	147,5	45	30	42	60.000
903031		232,5	132,5	197,5	65	30	42	
903032		292,5	192,5	257,5	65	30	42	



## Ø80

DIAMETER (mm)



HIGH LOAD



ANTI-SLIP

Art-Nr.	Sp	H Tot (mm)	H Min (mm)	H Max (mm)	A (mm)	1 (mm)	2 (mm)	Load (N)
903033	M12	183,5	103,5	148,5	45	10	17	12.000
903034		233,5	133,5	198,5	65	10	17	
903035	M16	183,5	103,5	148,5	45	13	19	30.000
903036		233,5	133,5	198,5	65	13	19	
903037	M20	183,5	103,5	148,5	45	17	24	45.000
903038		233,5	133,5	198,5	65	17	24	
903039	M24	183,5	103,5	148,5	45	19	30	70.000
903040		233,5	133,5	198,5	65	19	30	
903041	M30	183,5	103,5	148,5	45	24	36	80.000
903042		233,5	133,5	198,5	65	24	36	
903043		293,5	193,5	258,5	65	24	36	
903044	M36	183,5	103,5	148,5	45	30	42	80.000
903045		233,5	133,5	198,5	65	30	42	
903046		293,5	193,5	258,5	65	30	42	



**CERTIFIED PRODUCTS**

ASK FOR CERTIFICATION:  
 certificate@movexii.com

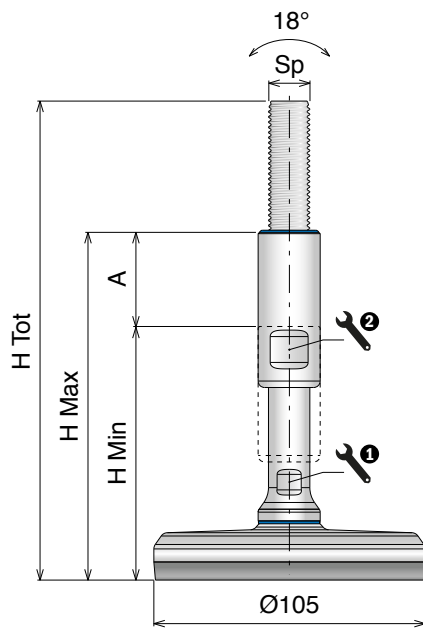
# C500 HEAVY

Piedi di livellamento / Leveling feet / Nivellierfüße

On request vulcanized rubber can be provided  
white or blue and spindle can be made in AISI 316.

### Materiale / Material / Materialien:

Base, stelo, rondella e boccola: Acciaio inox  
Base plate, spindle, washer and cover: Stainless steel  
Fussplatte, Spindel, Scheibe und Hülse: Edelstahl



## Ø105

DIAMETER (mm)

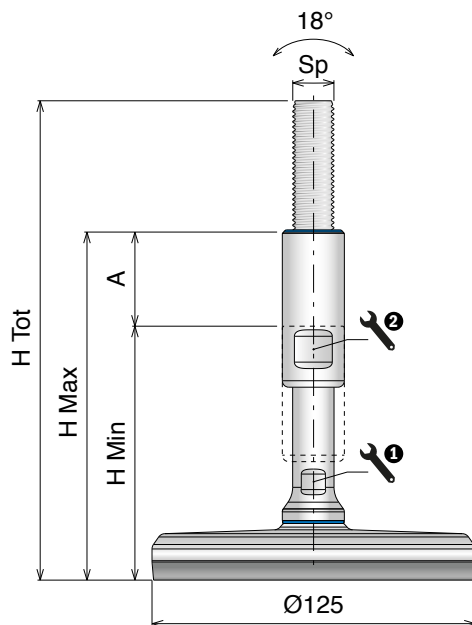


HIGH LOAD



ANTI-SLIP

Art-Nr.	Sp	H Tot (mm)	H Min (mm)	H Max (mm)	A (mm)	1 (mm)	2 (mm)	Load (N)
903047	M12	184,5	104,5	149,5	45	10	17	12.000
903048		234,5	134,5	199,5	65	10	17	
903049	M16	184,5	104,5	149,5	45	13	19	30.000
903050		234,5	134,5	199,5	65	13	19	
903051	M20	184,5	104,5	149,5	45	17	24	45.000
903052		234,5	134,5	199,5	65	17	24	
903053	M24	184,5	104,5	149,5	45	19	30	70.000
903054		234,5	134,5	199,5	65	19	30	
903055	M30	184,5	104,5	149,5	45	24	36	100.000
903056		234,5	134,5	199,5	65	24	36	
903057		294,5	194,5	259,5	65	24	36	
903058	M36	184,5	104,5	149,5	45	30	42	120.000
903059		234,5	134,5	199,5	65	30	42	
903060		294,5	194,5	259,5	65	30	42	



## Ø125

DIAMETER (mm)



HIGH LOAD



ANTI-SLIP

Art-Nr.	Sp	H Tot (mm)	H Min (mm)	H Max (mm)	A (mm)	1 (mm)	2 (mm)	Load (N)
903061	M12	184,5	104,5	149,5	45	10	17	12.000
903062		234,5	134,5	199,5	65	10	17	
903063	M16	184,5	104,5	149,5	45	13	19	30.000
903064		234,5	134,5	199,5	65	13	19	
903065	M20	184,5	104,5	149,5	45	17	24	45.000
903066		234,5	134,5	199,5	65	17	24	
903067	M24	184,5	104,5	149,5	45	19	30	70.000
903068		234,5	134,5	199,5	65	19	30	
903069	M30	184,5	104,5	149,5	45	24	36	100.000
903070		234,5	134,5	199,5	65	24	36	
903071		294,5	194,5	259,5	65	24	36	
903072	M36	184,5	104,5	149,5	45	30	42	130.000
903073		234,5	134,5	199,5	65	30	42	
903074		294,5	194,5	259,5	65	30	42	



**CERTIFIED PRODUCTS**

ASK FOR CERTIFICATION:  
certificate@movexii.com

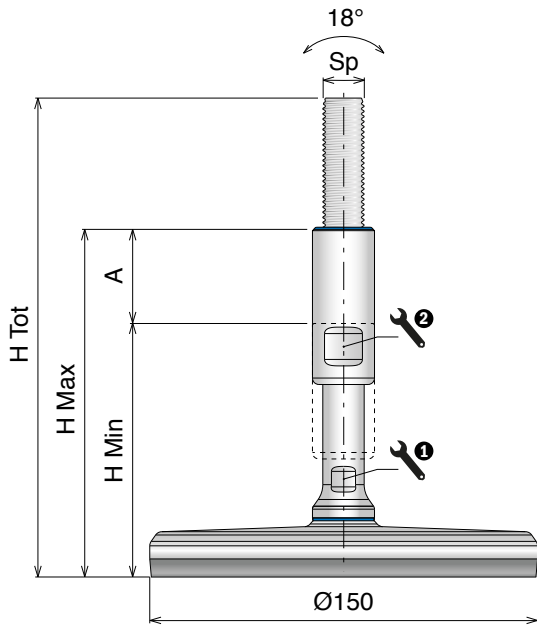
**Materiale / Material / Materialien:**

Base, stelo, rondella e boccia: Acciaio inox  
 Base plate, spindle, washer and cover: Stainless steel  
 Fussplatte, Spindel, Scheibe und Hülse: Edelstahl

On request vulcanized rubber can be provided  
 white or blue and spindle can be made in AISI 316.

# C500 HEAVY

Piedi di livellamento / Leveling feet / Nivellierfüße

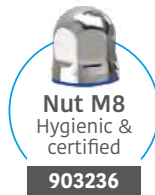
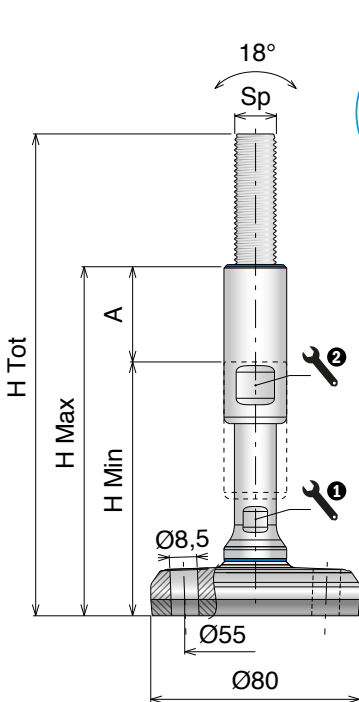


## Ø 150

DIAMETER (mm)



Art-Nr.	Sp	H Tot (mm)	H Min (mm)	H Max (mm)	A (mm)	1 (mm)	2 (mm)	Load (N)
903075	M12	184,5	104,5	149,5	45	10	17	12.000
903076		234,5	134,5	199,5	65	10	17	
903077	M16	184,5	104,5	149,5	45	13	19	30.000
903078		234,5	134,5	199,5	65	13	19	
903079	M20	184,5	104,5	149,5	45	17	24	45.000
903080		234,5	134,5	199,5	65	17	24	
903081	M24	184,5	104,5	149,5	45	19	30	70.000
903082		234,5	134,5	199,5	65	19	30	
903083	M30	184,5	104,5	149,5	45	24	36	100.000
903084		234,5	134,5	199,5	65	24	36	
903085		294,5	194,5	259,5	65	24	36	
903086	M36	184,5	104,5	149,5	45	30	42	150.000
903087		234,5	134,5	199,5	65	30	42	
903088		294,5	194,5	259,5	65	30	42	



## Ø 80

DIAMETER (mm)



Art-Nr.	Sp	H Tot (mm)	H Min (mm)	H Max (mm)	A (mm)	1 (mm)	2 (mm)	Load (N)
903103	M12	183,5	103,5	148,5	45	10	17	12.000
903104		233,5	133,5	198,5	65	10	17	
903105	M16	183,5	103,5	148,5	45	13	19	30.000
903106		233,5	133,5	198,5	65	13	19	
903107	M20	183,5	103,5	148,5	45	17	24	45.000
903108		233,5	133,5	198,5	65	17	24	
903109	M24	183,5	103,5	148,5	45	19	30	70.000
903110		233,5	133,5	198,5	65	19	30	
903111	M30	183,5	103,5	148,5	45	24	36	80.000
903112		233,5	133,5	198,5	65	24	36	
903113		293,5	193,5	258,5	65	24	36	
903114	M36	183,5	103,5	148,5	45	30	42	80.000
903115		233,5	133,5	198,5	65	30	42	
903116		293,5	193,5	258,5	65	30	42	

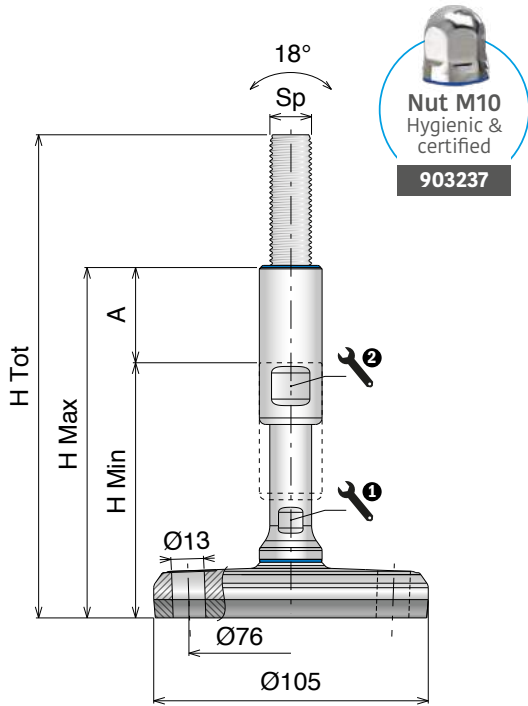
# C500 HEAVY

Piedi di livellamento / Leveling feet / Nivellierfüße

On request vulcanized rubber can be provided  
white or blue and spindle can be made in AISI 316.

**Materiale / Material / Materialien:**

Base, stelo, rondella e boccola: Acciaio inox  
Base plate, spindle, washer and cover: Stainless steel  
Fussplatte, Spindel, Scheibe und Hülse: Edelstahl



## Ø105

DIAMETER (mm)



HIGH LOAD

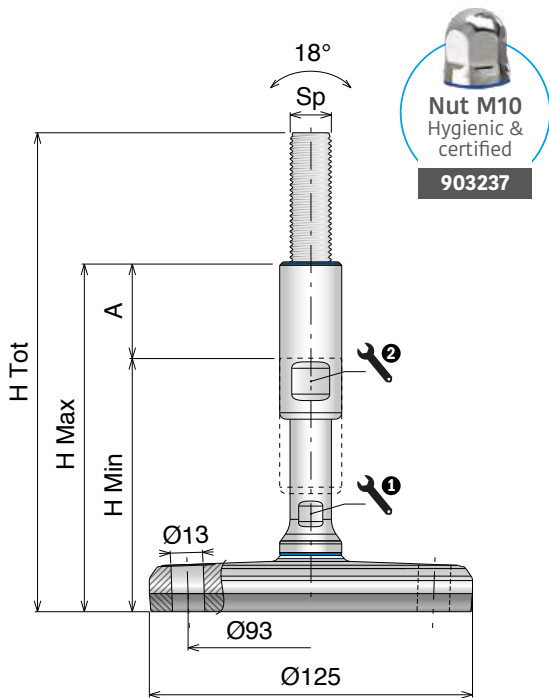


FIXING POINT



ANTI-SLIP

Art-Nr.	Sp	H Tot (mm)	H Min (mm)	H Max (mm)	A (mm)	1 (mm)	2 (mm)	Load (N)
903117	M12	184,5	104,5	149,5	45	10	17	12.000
903118		234,5	134,5	199,5	65	10	17	
903119	M16	184,5	104,5	149,5	45	13	19	30.000
903120		234,5	134,5	199,5	65	13	19	
903121	M20	184,5	104,5	149,5	45	17	24	45.000
903122		234,5	134,5	199,5	65	17	24	
903123	M24	184,5	104,5	149,5	45	19	30	70.000
903124		234,5	134,5	199,5	65	19	30	
903125	M30	184,5	104,5	149,5	45	24	36	100.000
903126		234,5	134,5	199,5	65	24	36	
903127		294,5	194,5	259,5	65	24	36	
903128	M36	184,5	104,5	149,5	45	30	42	120.000
903129		234,5	134,5	199,5	65	30	42	
903130		294,5	194,5	259,5	65	30	42	



## Ø125

DIAMETER (mm)



HIGH LOAD



FIXING POINT



ANTI-SLIP

Art-Nr.	Sp	H Tot (mm)	H Min (mm)	H Max (mm)	A (mm)	1 (mm)	2 (mm)	Load (N)
903131	M12	184,5	104,5	149,5	45	10	17	12.000
903132		234,5	134,5	199,5	65	10	17	
903133	M16	184,5	104,5	149,5	45	13	19	30.000
903134		234,5	134,5	199,5	65	13	19	
903135	M20	184,5	104,5	149,5	45	17	24	45.000
903136		234,5	134,5	199,5	65	17	24	
903137	M24	184,5	104,5	149,5	45	19	30	70.000
903138		234,5	134,5	199,5	65	19	30	
903139	M30	184,5	104,5	149,5	45	24	36	100.000
903140		234,5	134,5	199,5	65	24	36	
903141		294,5	194,5	259,5	65	24	36	
903142	M36	184,5	104,5	149,5	45	30	42	130.000
903143		234,5	134,5	199,5	65	30	42	
903144		294,5	194,5	259,5	65	30	42	



**CERTIFIED PRODUCTS**

ASK FOR CERTIFICATION:  
certificate@movexii.com

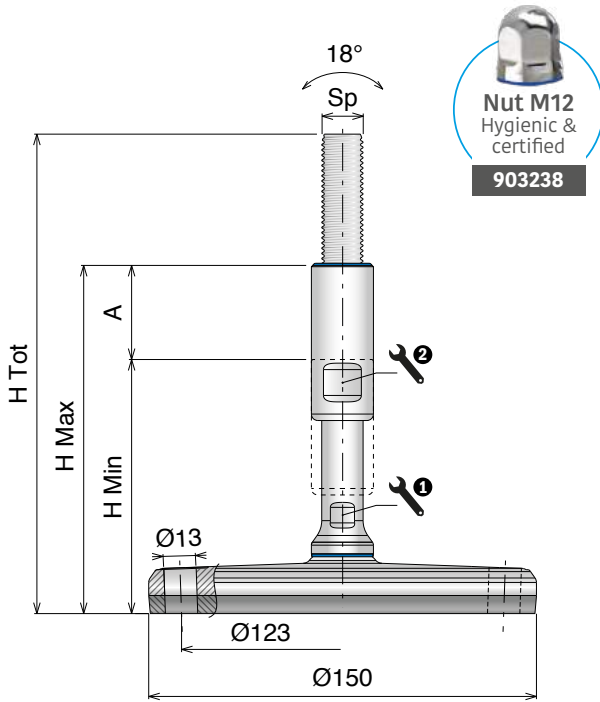
**Materiale / Material / Materialien:**

Base, stelo, rondella e boccia: Acciaio inox  
 Base plate, spindle, washer and cover: Stainless steel  
 Fussplatte, Spindel, Scheibe und Hülse: Edelstahl

On request vulcanized rubber can be provided  
 white or blue and spindle can be made in AISI 316.

# C500 HEAVY

Piedi di livellamento / Leveling feet / Nivellierfüße



## Ø 150

DIAMETER (mm)



HIGH LOAD



FIXING POINT



ANTI-SLIP

Art-Nr.	Sp	H Tot (mm)	H Min (mm)	H Max (mm)	A (mm)	1 (mm)	2 (mm)	Load (N)
903145	M12	184,5	104,5	149,5	45	10	17	12.000
903146		234,5	134,5	199,5	65	10	17	
903147	M16	184,5	104,5	149,5	45	13	19	30.000
903148		234,5	134,5	199,5	65	13	19	
903149	M20	184,5	104,5	149,5	45	17	24	45.000
903150		234,5	134,5	199,5	65	17	24	
903151	M24	184,5	104,5	149,5	45	19	30	70.000
903152		234,5	134,5	199,5	65	19	30	
903153	M30	184,5	104,5	149,5	45	24	36	100.000
903154		234,5	134,5	199,5	65	24	36	
903155		294,5	194,5	259,5	65	24	36	
903156	M36	184,5	104,5	149,5	45	30	42	150.000
903157		234,5	134,5	199,5	65	30	42	
903158		294,5	194,5	259,5	65	30	42	



**CERTIFIED PRODUCTS**

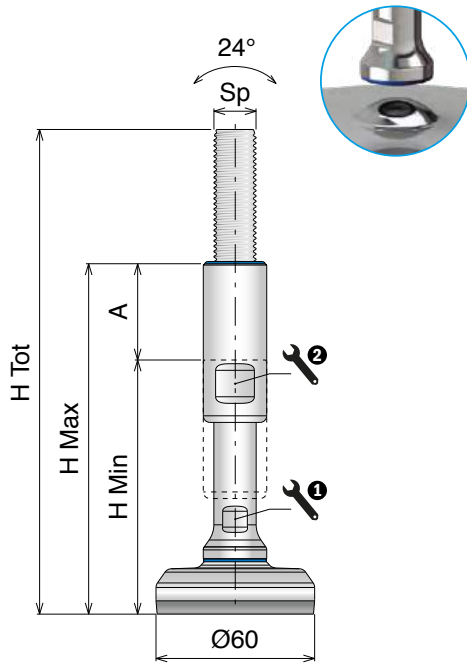
ASK FOR CERTIFICATION:  
[certificate@movexii.com](mailto:certificate@movexii.com)

# C500 HEAVY-SPLIT

Piedi di livellamento / Leveling feet / Nivellierfüße

On request vulcanized rubber can be provided  
white or blue and spindle can be made in AISI 316.

**Materiale / Material / Materialien:**  
Base, stelo e boccola: Acciaio inox  
Base plate, spindle and cover: Stainless steel  
Fussplatte, Spindel und Hülse: Edelstahl



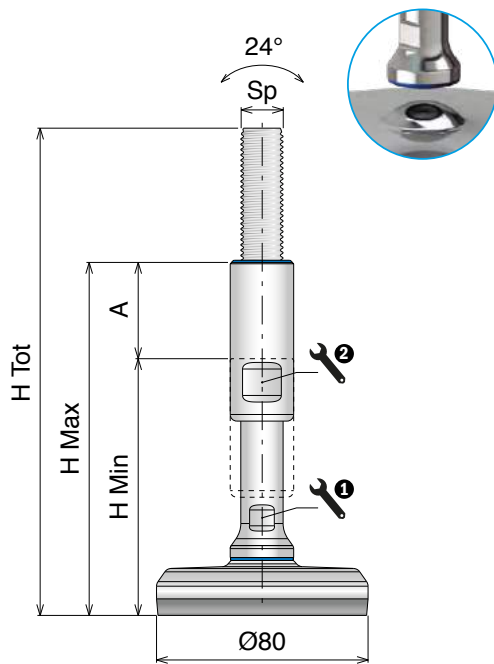
Ø60  
DIAMETER (mm)

**Kg**  
HIGH LOAD

**SLIT VERSION**

**ANTI-SLIP**

Art-Nr.	Sp	H Tot (mm)	H Min (mm)	H Max (mm)	A (mm)	1 (mm)	2 (mm)	Load (N)
903159	M12	182,5	102,5	147,5	45	10	17	12.000
903160		232,5	132,5	197,5	65	10	17	
903161	M16	182,5	102,5	147,5	45	13	19	30.000
903162		232,5	132,5	197,5	65	13	19	
903163	M20	182,5	102,5	147,5	45	17	24	45.000
903164		232,5	132,5	197,5	65	17	24	
903165	M24	182,5	102,5	147,5	45	19	30	60.000
903166		232,5	132,5	197,5	65	19	30	
903167	M30	182,5	102,5	147,5	45	24	36	60.000
903168		232,5	132,5	197,5	65	24	36	
903169		292,5	192,5	257,5	65	24	36	
903170	M36	182,5	102,5	147,5	45	30	42	60.000
903171		232,5	132,5	197,5	65	30	42	
903172		292,5	192,5	257,5	65	30	42	



Ø80  
DIAMETER (mm)

**Kg**  
HIGH LOAD

**SLIT VERSION**

**ANTI-SLIP**

Art-Nr.	Sp	H Tot (mm)	H Min (mm)	H Max (mm)	A (mm)	1 (mm)	2 (mm)	Load (N)
903173	M12	183,5	103,5	148,5	45	10	17	12.000
903174		233,5	133,5	198,5	65	10	17	
903175	M16	183,5	103,5	148,5	45	13	19	30.000
903176		233,5	133,5	198,5	65	13	19	
903177	M20	183,5	103,5	148,5	45	17	24	45.000
903178		233,5	133,5	198,5	65	17	24	
903179	M24	183,5	103,5	148,5	45	19	30	70.000
903180		233,5	133,5	198,5	65	19	30	
903181	M30	183,5	103,5	148,5	45	24	36	80.000
903182		233,5	133,5	198,5	65	24	36	
903183		293,5	193,5	258,5	65	24	36	
903184	M36	183,5	103,5	148,5	45	30	42	80.000
903185		233,5	133,5	198,5	65	30	42	
903186		293,5	193,5	258,5	65	30	42	



**CERTIFIED PRODUCTS**  
ASK FOR CERTIFICATION:  
certificate@movexii.com

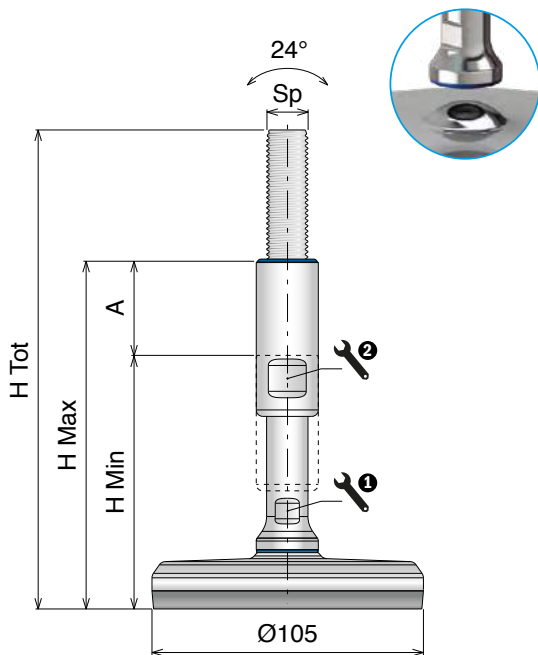


**Materiale / Material / Materialien:**  
 Base, stelo e boccia: Acciaio inox  
 Base plate, spindle and cover: Stainless steel  
 Fussplatte, Spindel und Hülse: Edelstahl

On request vulcanized rubber can be provided  
 white or blue and spindle can be made in AISI 316.

# C500 HEAVY-SPLIT

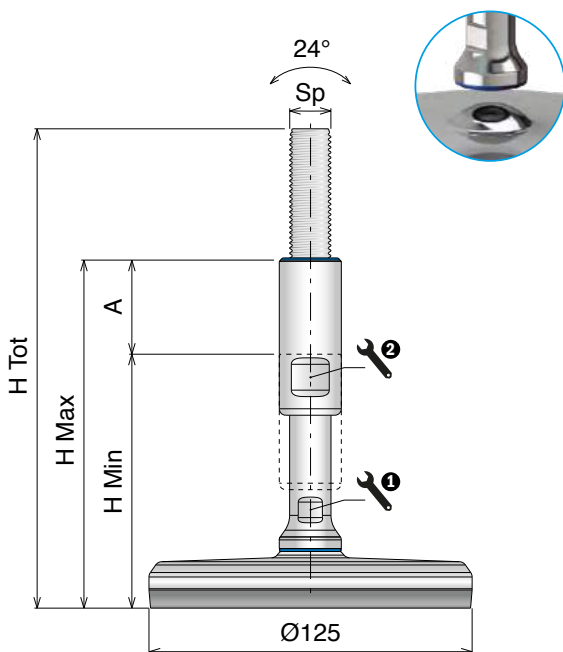
Piedi di livellamento / Leveling feet / Nivellierfüße



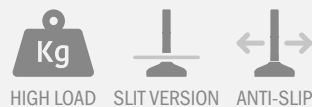
**Ø105**  
 DIAMETER (mm)



Art-Nr.	Sp	H Tot (mm)	H Min (mm)	H Max (mm)	A (mm)	1 (mm)	2 (mm)	Load (N)
<b>903187</b>	M12	184,5	104,5	149,5	45	10	17	12.000
<b>903188</b>		234,5	134,5	199,5	65	10	17	
<b>903189</b>	M16	184,5	104,5	149,5	45	13	19	30.000
<b>903190</b>		234,5	134,5	199,5	65	13	19	
<b>903191</b>	M20	184,5	104,5	149,5	45	17	24	45.000
<b>903192</b>		234,5	134,5	199,5	65	17	24	
<b>903193</b>	M24	184,5	104,5	149,5	45	19	30	70.000
<b>903194</b>		234,5	134,5	199,5	65	19	30	
<b>903195</b>	M30	184,5	104,5	149,5	45	24	36	100.000
<b>903196</b>		234,5	134,5	199,5	65	24	36	
<b>903197</b>		294,5	194,5	259,5	65	24	36	
<b>903198</b>	M36	184,5	104,5	149,5	45	30	42	120.000
<b>903199</b>		234,5	134,5	199,5	65	30	42	
<b>903200</b>		294,5	194,5	259,5	65	30	42	



**Ø125**  
 DIAMETER (mm)



Art-Nr.	Sp	H Tot (mm)	H Min (mm)	H Max (mm)	A (mm)	1 (mm)	2 (mm)	Load (N)
<b>903201</b>	M12	184,5	104,5	149,5	45	10	17	12.000
<b>903202</b>		234,5	134,5	199,5	65	10	17	
<b>903203</b>	M16	184,5	104,5	149,5	45	13	19	30.000
<b>903204</b>		234,5	134,5	199,5	65	13	19	
<b>903205</b>	M20	184,5	104,5	149,5	45	17	24	45.000
<b>903206</b>		234,5	134,5	199,5	65	17	24	
<b>903207</b>	M24	184,5	104,5	149,5	45	19	30	70.000
<b>903208</b>		234,5	134,5	199,5	65	19	30	
<b>903209</b>	M30	184,5	104,5	149,5	45	24	36	100.000
<b>903210</b>		234,5	134,5	199,5	65	24	36	
<b>903211</b>		294,5	194,5	259,5	65	24	36	
<b>903212</b>	M36	184,5	104,5	149,5	45	30	42	130.000
<b>903213</b>		234,5	134,5	199,5	65	30	42	
<b>903214</b>		294,5	194,5	259,5	65	30	42	



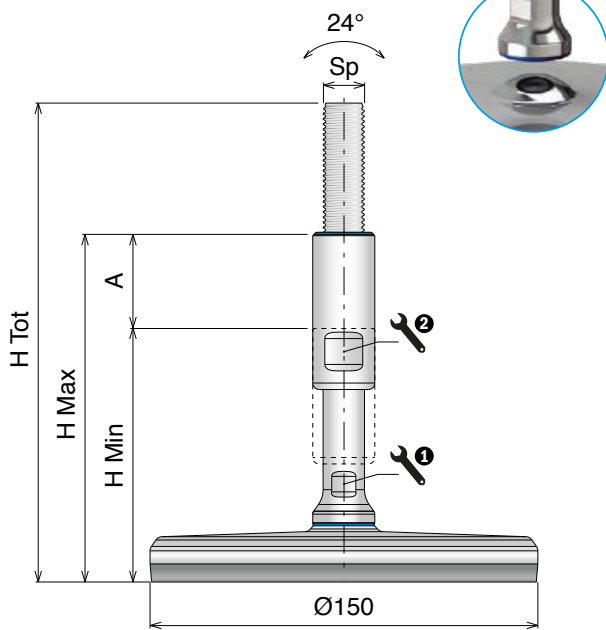
# C500 HEAVY-SPLIT

Piedi di livellamento / Leveling feet / Nivellierfüße

On request vulcanized rubber can be provided  
white or blue and spindle can be made in AISI 316.

**Materiale / Material / Materialien:**

Base, stelo e boccola: Acciaio inox  
Base plate, spindle and cover: Stainless steel  
Fussplatte, Spindel und Hülse: Edelstahl



Ø150  
DIAMETER (mm)



HIGH LOAD



SLIT VERSION



ANTI-SLIP

Art-Nr.	Sp	H Tot (mm)	H Min (mm)	H Max (mm)	A (mm)	1 (mm)	2 (mm)	Load (N)
<b>903215</b>	M12	184,5	104,5	149,5	45	10	17	12.000
<b>903216</b>		234,5	134,5	199,5	65	10	17	
<b>903217</b>	M16	184,5	104,5	149,5	45	13	19	30.000
<b>903218</b>		234,5	134,5	199,5	65	13	19	
<b>903219</b>	M20	184,5	104,5	149,5	45	17	24	45.000
<b>903220</b>		234,5	134,5	199,5	65	17	24	
<b>903221</b>	M24	184,5	104,5	149,5	45	19	30	70.000
<b>903222</b>		234,5	134,5	199,5	65	19	30	
<b>903223</b>	M30	184,5	104,5	149,5	45	24	36	100.000
<b>903224</b>		234,5	134,5	199,5	65	24	36	
<b>903225</b>		294,5	194,5	259,5	65	24	36	
<b>903226</b>	M36	184,5	104,5	149,5	45	30	42	150.000
<b>903227</b>		234,5	134,5	199,5	65	30	42	
<b>903228</b>		294,5	194,5	259,5	65	30	42	



**CERTIFIED PRODUCTS**  
ASK FOR CERTIFICATION:  
certificate@movexii.com

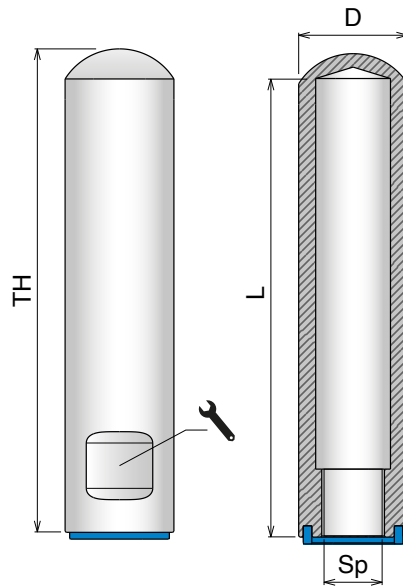
## NEW 903 Boccia superiore certificata ed igienica Certified hygienic top cover / Zertifiziert hygienische Abdeckülse

Delivery: **Easy** **Standard**



### Main features:

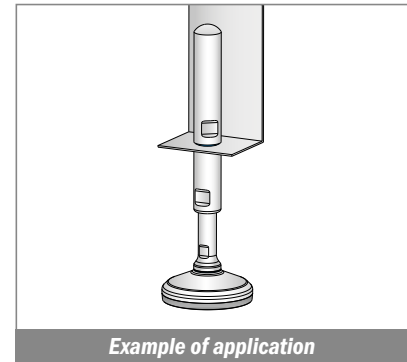
- Stainless steel AISI 304
- Blue seal for hermetic closure
- Perfect to protect the threaded spindle



Art-Nr.	Sp	D	TH	L	
903229	M12	Ø20	110	100	17
903230	M16	Ø24	110	100	19
903231	M20	Ø30	110	100	24
903232	M24	Ø34	110	100	30
903233	M30	Ø40	110	100	36
903234	M36	Ø46	110	100	42



**CERTIFIED PRODUCTS**  
ASK FOR CERTIFICATION:  
certificate@movexii.com



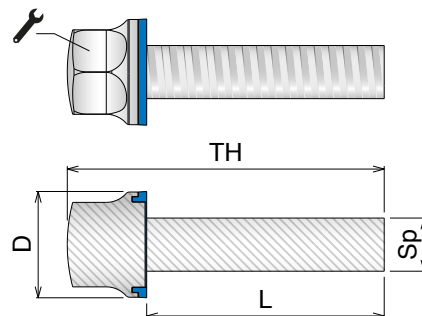
## NEW 903 Vite igienica certificata ed igienica Certified hygienic screw / Zertifiziert hygienische Schraube

Delivery: **Easy** **Standard**



### Main features:

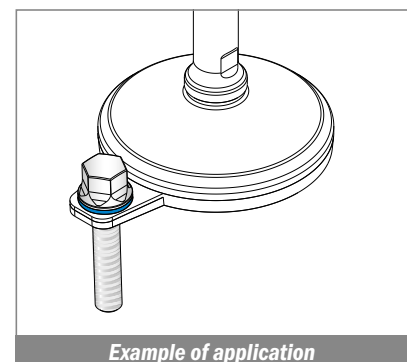
- Stainless steel AISI 304
- Blue seal for hermetic closure



Art-Nr.	Sp	D	TH	L		Box
903255	M8	16	58	45	13	10 pcs
903253	M10	20	60	45	16	10 pcs
903251	M12	24,5	78	60	18	10 pcs



**CERTIFIED PRODUCTS**  
ASK FOR CERTIFICATION:  
certificate@movexii.com



**NEW 903**

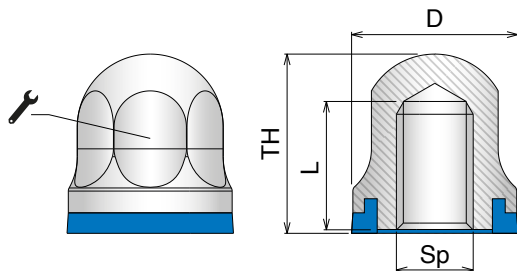
**Dado certificato ed igienico**  
**Certified hygienic nut / Zertifiziert hygienische Hutmutter**

Delivery: **Easy** **Standard**



**Main features:**

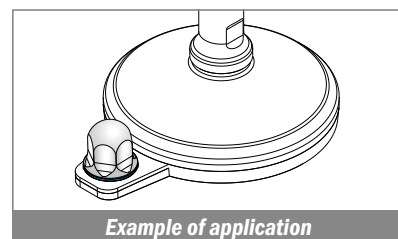
- Stainless steel AISI 304
- Blue seal for hermetic closure



Art-Nr.	Sp	D	TH	L		Box
903235	M6	13	14	10	10	10 pcs
903236	M8	16	17	12	13	10 pcs
903237	M10	20	20,5	15	16	10 pcs
903238	M12	24,5	25	18	18	10 pcs
903239	M16	32	32	23	24	10 pcs
903240	M20	39	38	27	30	10 pcs



**CERTIFIED PRODUCTS**  
 ASK FOR CERTIFICATION:  
 certificate@movexii.com



**998**

**Dado**  
**Nut / Sechskantmutter**

Delivery: **Easy** **Standard**



**Main features:**

- Stainless steel (SS) or Zinc plated steel (FeZn)
- UNI 5588 - ISO 4032 - DIN 934

Art-Nr.	Art-Nr.	Sp	Box
SS	FeZn		
99801	99801Z	M10	50 pcs
99802	99802Z	M12	50 pcs
99804	99804Z	M16	10 pcs
99805	99805Z	M20	10 pcs
99806	99806Z	M24	5 pcs
99807	99807Z	M30	5 pcs
99808	99808Z	M36	5 pcs

**996**

**Gomma anti-scivolo**  
**Anti-slip pad / Gummiplatte**

Delivery: **Easy** **Standard**



**Main features:**

- High quality vulcanized anti-slip NBR rubber
- Suitable for leveling feet Basic, Articulated, Muscle and P400R series

Art-Nr.	For base
99601	Ø40
99602	Ø50
99603	Ø60
99604	Ø80
99605	Ø100
99607	Ø110
99606	Ø120
99608	Ø123

**CORRELATED PRODUCTS**

**Support base**



**Threaded bushings**

POLYAMIDE



**Threaded bushings**

AISI 304



# 645

## Materials chemical resistance

<b>Materials resistance</b> Pag 646->648	<b>General</b> Pag 649	<b>PH-Range</b> Pag 649	<b>Rubber materials</b> Pag 649/650	<b>Pin materials</b> Pag 650
---	---------------------------	----------------------------	--	---------------------------------

## Materials for plastic chains and modular belts

<b>POM</b>	<b>Low friction Acetal</b>	<b>Lubricated Acetal</b>	<b>Antistatic Acetal</b>
	LF	MPX Pag 652	AS Pag 655
	LFA	MP Pag 653	
	LFB		
	LFD		
	LFG		
	LFN	<b>Reinforced Acetal</b>	
LFW Pag 651	DKM Pag 654		

<b>PBT</b>	<b>Performance Polybutylene terephthalate</b>	<b>Extra-Performance Polybutylene terephthalate</b>
	MX Pag 656	PFX Pag 657

<b>PP</b>	<b>Polypropylene</b>	<b>Reinforced Polypropylene</b>
	PP	PPX Pag 659
	PPB	
	PPW Pag 658	

<b>PA</b>	<b>Polyamide composite</b>	<b>Polyamide composite</b>
	MWX Pag 660	PA Pag 661

## Materials for stainless steel chains



<b>Stainless steel</b>	
SS Pag 662	SSE Pag 663
SSM Pag 664	SSA Pag 665

## Materials for sprockets



<b>Polyamide</b>	<b>Reinforced Polyamide</b>
PA Pag 666	RPA Pag 666

# Material chemical resistance

Resistenza chimica dei materiali / Materials chemical resistance / Chemische Beständigkeit der Materialien

LEGEND: ● Resistant | ● Conditionally Resistant | ● Not Resistant

## Material chemical resistance

Substances		PBT	POM	PP	PE	PA
at norm climate conditions DIN50014, 23°C/50% r.a.h.		Chains & Belts	Chains & Belts	Chains & Belts	Curves Chain guides Components	Sporckets Components Chains & Belts
<b>A</b>	<b>Acetamide 50%</b>		●		●	●
	Acetic acid, aqueous solution 10%	●	●	●	●	●
	Acetic acid, aqueous solution 5%	●	●	●	●	●
	Acetic acid, concentrated	●	●	●	●	●
	Acetone	●	●	●	●	●
	Ammonia, aqueous solution 10%	●	●	●	●	●
	Anone			●	●	●
<b>B</b>	<b>Benzene</b>	●	●	●	●	●
	Benzine	●	●	●	●	●
	Bitumen		●	●	●	●
	Boric acid, aqueous solution 10%	●	●	●	●	●
	Butyl acetate	●	●	●	●	●
<b>C</b>	<b>Calcium chloride, aqueous solution 10%</b>	●	●	●	●	●
	Carbon tetrachloride	●	●	●	●	●
	Chlorbenzene	●	●	●	●	●
	Chloroform	●	●	●	●	●
	Citric acid, aqueous solution 10%	●	●	●	●	●
	Cupric (II) sulphate, 10%		●	●	●	●
	Cyclohexane	●	●	●	●	●
	Cyclohexanone	●	●	●	●	●
<b>D</b>	<b>Diesel oil</b>	●	●	●	●	●
	Dimethyl formamide	●	●	●	●	●
	Diocetyl phthalate	●	●	●	●	●
	Dioxane	●	●	●	●	●
<b>E</b>	<b>Edible fats, edible oils</b>	●	●	●	●	●
	Ethanol 96%	●	●	●	●	●
	Ethyl ether	●	●	●	●	●
	Ethylacetate	●	●	●	●	●
	Ethylene chloride	●	●	●	●	●
<b>F</b>	<b>Formaldehyde, aqueous solution 30%</b>		●	●	●	●
	Formamide	●	●		●	●
	Formic acid, aqueous solution 10%	●	●	●	●	●
	Freon, frigen, liquid	●		●	●	●
	Fruit juices	●	●	●	●	●

Continue >>

**Movex**

# Material chemical resistance

Resistenza chimica dei materiali / Materials chemical resistance / Chemische Beständigkeit der Materialien

LEGEND: ● Resistant | ● Conditionally Resistant | ● Not Resistant

Substances	PBT	POM	PP	PE	PA
at norm climate conditions DIN50014, 23°C/50% r.a.h.	Chains & Belts	Chains & Belts	Chains & Belts	Curves Chain guides Components	Sprockets Components Chains & Belts
Fuel oil	●	●	●	●	●
<b>G</b> Glycerine	●	●	●	●	●
Glycol	●	●	●	●	●
Glycantine, aqueous solution 40%	●	●	●	●	●
<b>H</b> Heptane, hexane	●	●	●	●	●
Hydrochloric acid, aqueous solution 2%	●	●	●	●	●
Hydrochloric acid, aqueous solution 36%	●	●	●	●	●
Hydrofluoric acid, 40%	●	●	●	●	●
Hydrogen peroxide, aqueous solution 0.5%	●	●	●	●	●
Hydrogen peroxide, aqueous solution 30%	●	●	●	●	●
Hydrogen sulphide	●	●	●	●	●
Hydrogen sulphide, aqueous solution	●	●	●	●	●
<b>I</b> Iodine solution, alcohol solution			●	●	●
Iso-octane			●	●	●
Isopropanol	●	●	●	●	●
<b>L</b> Lactic acid, aqueous solution 10%	●	●	●	●	●
Lactic acid, aqueous solution 90%		●	●	●	●
Linseed oil	●	●	●	●	●
<b>M</b> Methanol	●	●	●	●	●
Methyl ethyl ketone	●	●	●	●	●
Methylene chloride	●	●	●	●	●
Milk	●	●	●	●	●
<b>N</b> Nitric acid, aqueous solution 2%	●	●	●	●	●
Nitrobenzene	●	●	●	●	●
<b>O</b> Oxalic acid, aqueous solution 10%	●	●	●	●	●
Ozone	●	●		●	●
<b>P</b> Paraffin oil	●	●	●	●	●
Perchlorethylene	●	●	●	●	●
Petroleum	●	●	●	●	●
Phenol, aqueous solution	●	●	●	●	●
Phosphoric acid, aqueous solution 10%	●	●	●	●	●
Phosphoric acid, concentrated	●		●	●	●
Potassium dichromate, aqueous solution 10%	●	●	●	●	●
Potassium lye, aqueous solution 10%	●	●	●	●	●
Potassium lye, aqueous solution 50%	●	●	●	●	●

Continue >>

# Material chemical resistance

Resistenza chimica dei materiali / Materials chemical resistance / Chemische Beständigkeit der Materialien

LEGEND: ● Resistant | ● Conditionally Resistant | ● Not Resistant

Substances	PBT	POM	PP	PE	PA
at norm climate conditions DIN50014, 23°C/50% r.a.h.	Chains & Belts	Chains & Belts	Chains & Belts	Curves Chain guides Components	Sporckets Components Chains & Belts
Potassium permanganate, aqueous solution 1%	●	●	●	●	●
Propanol	●	●	●	●	●
Pyridine		●	●	●	●
<b>S</b> Salicylic acid	●			●	●
Silicon oils	●	●	●	●	●
Soap solution, aqueous solution	●	●	●	●	●
Soda lye, aqueous solution 5%	●	●	●	●	●
Soda lye, aqueous solution 50%	●	●	●	●	●
Soda solution, aqueous solution 10%	●		●	●	●
Sodium bisulphite, aqueous solution 10%	●	●	●	●	●
Sodium carbonate, aqueous solution 10%	●	●	●	●	●
Sodium chloride, aqueous solution 10%	●	●	●	●	●
Sodium nitrate, aqueous solution 10%	●	●	●	●	●
Sodium thiosulphate, aqueous solution 10%	●	●	●	●	●
Styrene	●	●	●	●	●
Sulphuric acid, aqueous solution 2%	●	●	●	●	●
Sulphuric acid, concentrated 98%	●	●	●	●	●
<b>T</b> Tar	●	●	●		●
Tartaric acid	●	●	●	●	●
Tetrahydrofurane	●	●	●	●	●
Tetralin	●	●		●	●
Toluene	●	●	●	●	●
Transformer oil	●	●	●	●	●
Trichlorethylene	●	●	●	●	●
Triethanolamine	●	●	●	●	●
<b>U</b> Urea, aqueous solution	●	●	●	●	●
<b>V</b> Vaseline	●	●	●	●	●
<b>W</b> Water, cold	●	●	●	●	●
Water, warm	●	●	●	●	●
Wax, molten	●	●	●	●	●
Wine, brandy	●	●	●	●	●
<b>X</b> Xylene	●	●	●	●	●
<b>Z</b> Zinc chloride, aqueous solution 10%	●	●	●	●	●



## General

LEGEND: ● Resistant | ● Conditionally Resistant | ● Not Resistant

Test condition	PBT	POM	PP	PE	PA
at norm climate conditions DIN50014, 23°C/50% r.a.h.	Chains & Belts	Chains & Belts	Chains & Belts	Curves Chain guides Components	Sprockets Components Chains & Belts
Acids, weak	●	●	●	●	●
Acids, strong	●	●	●	●	●
Alkalines, weak	●	●	●	●	●
Alkalines, strong	●	●	●	●	●
Solvents, alcohol	●	●	●	●	●
Solvents, ester	●	●	●	●	●
Solvents, ether	●	●	●	●	●
Solvents, Ketone	●	●	●	●	●
Water, cold	●	●	●	●	●
Water, hot	●	●	●	●	●

## PH-Range

General pH-limits at 23°C	PBT	POM	PP	PE	PA
Lower limit	2	4	1	1	4
Upper limit	9	13	13,5	13,5	12

## Rubber materials

LEGEND: ● Very good | ● Good | ● Worse

Test condition	NBR	EPDM-PP	TPR	TPE
at 23°C	GT stainless steel chains	Gripper chains	Gripper chains	GT plastic chains & belts
<b>Mechanical resistance</b>				
Wear resistance	●	●	●	●
Tear resistance	●	●	●	●
<b>Chemical resistance</b>				
Against acids	●	●	●	●
Against alkalines	●	●	●	●
Against oils	●	●	●	●
Against solvents	●	●	●	●
<b>Application temperatures</b>				
°C -	-30	-40	-50	-50
°C +	100	130	120	120

## Rubber materials

LEGEND: ● Very good | ● Good | ● Satisfactory

Test condition	UHMWPE	<i>BluLub</i>	C
at 23°C	Extremely high mol. weight	UHMWPE w/built in lubrication	UHMWPE w/ceramic additives
<b>Mechanical resistance</b>			
Wear resistance against steel chains	●	●	●
Wear resistance against plastic chains	●	●	
<b>Chemical resistance</b>			
Against acids	●	●	●
Against alkalines	●	●	●
Against oils	●	●	●
Against solvents	●	●	●
<b>Application temperatures</b>			
°C -	-40	-40	-40
°C + (shortly)	80 (100)	50 (80)	80 (100)

## Pin materials

General pH-limits at 23°C	PBT	POM	PP	PE	PA
Lower limit	2	4	1	1	4
Upper limit	9	13	13,5	13,5	12

Stainless steel	Pin	Remarks
SSM	DIN-EN 1.4057 / AISI 431	Hardened
SSE	DIN-EN 1.4057 / AISI 431	Hardened
SS	DIN-EN 1.4057 / AISI 431	
SSA	DIN-EN 1.4301 / AISI 304	

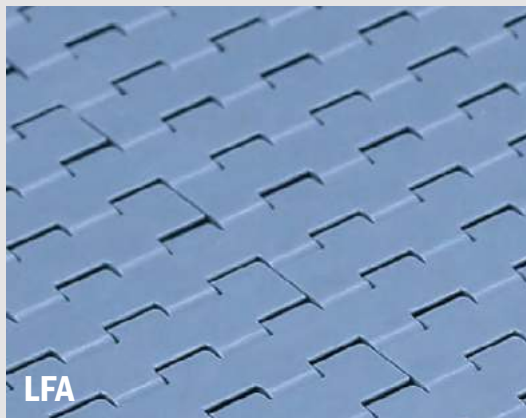
Plastic chains	Pin	Remarks
All materials	Ferritic Stainless steel (Suitable for magnetic system DIN-EN 1.4016 - AISI 430)	820, 880 TAB (also available with plastic pin POM reinforced)

Plastic belts	Pin	Remarks
LFA	PBT	White
MPX	PBT	White
DKM	PBT	White
MWX	PBT	White
MX/PFX	POM	Grey
PP	PP	Blue (500 RR: PP grey)

## LF-LFA-LFB-LFD-LFG-LFN-LFW



LF



LFA

Also available:

LFB

LFD

LFG

LFN

LFW

### Description

**Low friction Acetal Resin.**

*This material can be used in all common applications.*

**Primary Components:** POM

### General information

Material	Chemical abbreviation	Allowable application temperatures						FDA Approval
		Fahrenheit			Celsius			
		Min	Max		Min	Max		
			Dry	Wet		Dry	Wet	
Low friction acetal	POM	-40	176	149	-40	80	65	YES

### Friction Factors Between Material and Product

Lubrication	Product Material					
	Paper & carton	Metal (steel)	Aluminium	Plastics & PET	Glass (returnable)	Glass (new)
Dry	0,28	0,25	0,25	0,21	0,24	0,20
Water	n.a.	0,20	0,18	0,16	0,18	0,15
W&s & Dry lube	n.a.	0,15	0,14	0,13	0,14	0,12
Oil	n.a.	0,10	n.a.	n.a.	n.a.	n.a.

### Friction Factors Between Material and Product

Lubrication	Wearstrip Material		
	Stainless steel	UHMW-PE & PA	BluLub®
Dry	0,24	0,20	0,18
Water	0,19	0,16	0,14
W&s & Dry lube	0,15	0,10	0,10
Oil	0,10	0,10	0,10

### Note

Material properties and performance of final product are subject to variation according to operating conditions, e.g. environmental conditions, chemicals, cleanliness.

## MPX



Materials

### Description

**High performance Material with a low coefficient of friction.**

*This material can increase wear life 25% over LF material.*

**Primary Components:** POM

### General information

Material	Chemical abbreviation	Allowable application temperatures						FDA Approval
		Fahrenheit			Celsius			
		Min	Max		Min	Max		
			Dry	Wet		Dry	Wet	
Lucricated Acetal	POM	-40	176	149	-40	80	65	YES

### Friction Factors Between Material and Product

Lubrication	Product Material					
	Paper & carton	Metal (steel)	Aluminium	Plastics & PET	Glass (returnable)	Glass (new)
Dry	0,24	0,22	0,21	0,19	0,21	0,16
Water	n.a.	0,19	0,17	0,15	0,17	0,14
W&s & Dry lube	n.a.	0,15	0,14	0,13	0,13	0,12
Oil	n.a.	0,10	n.a.	n.a.	n.a.	n.a.

### Friction Factors Between Material and Product

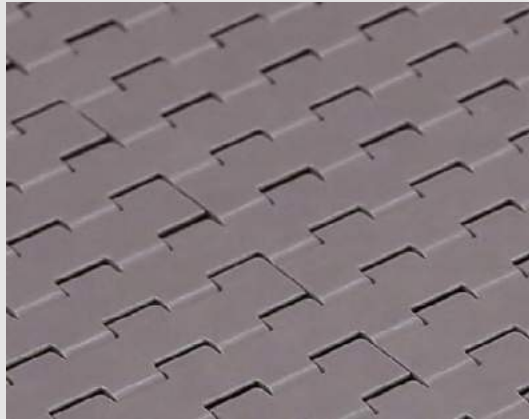
Lubrication	Wearstrip Material		
	Stainless steel	UHMW-PE & PA	<i>BluLub</i> ®
Dry	0,23	0,19	0,17
Water	0,19	0,15	0,14
W&s & Dry lube	0,15	0,10	0,10
Oil	0,10	0,10	0,10

#### Note

Material properties and performance of final product are subject to variation according to operating conditions, e.g. environmental conditions, chemicals, cleanliness.

# MP

Materials



## Description

**High performance Material with a low coefficient of friction.**

*This material can increase wear life 25% over LF material.*

**Primary Components:** POM

## General information

Material	Chemical abbreviation	Allowable application temperatures						FDA Approval
		Fahrenheit			Celsius			
		Min	Max		Min	Max		
			Dry	Wet		Dry	Wet	
Lucricated Acetal	POM	-40	176	149	-40	80	65	YES

## Friction Factors Between Material and Product

Lubrication	Product Material					
	Paper & carton	Metal (steel)	Aluminium	Plastics & PET	Glass (returnable)	Glass (new)
Dry	0,24	0,22	0,21	0,19	0,21	0,16
Water	n.a.	0,19	0,17	0,15	0,17	0,14
W&s & Dry lube	n.a.	0,15	0,14	0,13	0,13	0,12
Oil	n.a.	0,10	n.a.	n.a.	n.a.	n.a.

## Friction Factors Between Material and Product

Lubrication	Wearstrip Material		
	Stainless steel	UHMW-PE & PA	<i>BluLub</i> ®
Dry	0,23	0,19	0,17
Water	0,19	0,15	0,14
W&s & Dry lube	0,15	0,10	0,10
Oil	0,10	0,10	0,10

### Note

Material properties and performance of final product are subject to variation according to operating conditions, e.g. environmental conditions, chemicals, cleanliness.

## DKM



Materials

### Description

**Aramide reinforced acetal material**

*It's commonly used in dry running glass handling applications.*

**Primary Component:** POM

### General information

Material	Chemical abbreviation	Allowable application temperatures						FDA Approval
		Fahrenheit			Celsius			
		Min	Max		Min	Max		
			Dry	Wet		Dry	Wet	
Aramide reinforced acetal	POM	-40	176	149	-40	80	65	-

### Friction Factors Between Material and Product

Lubrication	Product Material					
	Paper & carton	Metal (steel)	Aluminium	Plastics & PET	Glass (returnable)	Glass (new)
Dry	0,21	0,19	0,16	0,20	0,15	0,13
Water	n.a.	0,17	0,15	0,15	0,14	0,13
W&s & Dry lube	n.a.	0,14	0,13	0,13	0,12	0,11
Oil	n.a.	0,10	n.a.	n.a.	n.a.	n.a.

### Friction Factors Between Material and Product

Lubrication	Wearstrip Material		
	Stainless steel	UHMW-PE & PA	<i>BluLub</i> ®
Dry	0,21	0,19	0,17
Water	0,18	0,15	0,14
W&s & Dry lube	0,15	0,11	0,11
Oil	0,10	0,10	0,10

#### Note

Material properties and performance of final product are subject to variation according to operating conditions, e.g. environmental conditions, chemicals, cleanliness.

## AS



Materials

**Description****AS material**

eliminates the static accumulation that can happen during conveying products.

**Primary Components:** POM

**General information**

Material	Chemical abbreviation	Allowable application temperatures						FDA Approval
		Fahrenheit			Celsius			
		Min	Max		Min	Max		
			Dry	Wet		Dry	Wet	
Antistatic Acetal	POM	-4	180	N.R.	-18	82	N.R.	YES

**Friction Factors Between Material and Product**

Lubrication	Product Material					
	Paper & carton	Metal (steel)	Aluminium	Plastics & PET	Glass (returnable)	Glass (new)
Dry	0,35	0,28	0,29	0,25	0,27	0,24
Water	n.a.	n.a.	n.a.	n.a.	n.a.	n.a.
W&s & Dry lube	n.a.	n.a.	n.a.	n.a.	n.a.	n.a.
Oil	n.a.	n.a.	n.a.	n.a.	n.a.	n.a.

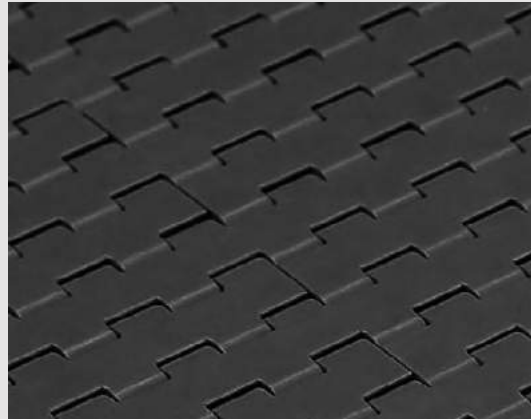
**Friction Factors Between Material and Product**

Lubrication	Wearstrip Material		
	Stainless steel	UHMW-PE & PA	<i>BluLub</i> ®
Dry	0,27	0,22	0,20
Water	n.a.	n.a.	n.a.
W&s & Dry lube	n.a.	n.a.	n.a.
Oil	n.a.	n.a.	n.a.

**Note**

Material properties and performance of final product are subject to variation according to operating conditions, e.g. environmental conditions, chemicals, cleanliness.

## MX



Materials

### Description

**Extra Performance material (PBT with additives)** with a very low coefficient of friction and improved wear resistance. Recommended for high speed and dry running applications.

**Primary Components:** PBT

### General information

Material	Chemical abbreviation	Allowable application temperatures						FDA Approval
		Fahrenheit			Celsius			
		Min	Max		Min	Max		
			Dry	Wet		Dry	Wet	
Performance PBT	PBT	-40	248	140	-40	120	60	YES

### Friction Factors Between Material and Product

Lubrication	Product Material					
	Paper & carton	Metal (steel)	Aluminium	Plastics & PET	Glass (returnable)	Glass (new)
Dry	0,20	0,18	0,15	0,13	0,14	0,12
Water	n.a.	0,16	0,14	0,12	0,13	0,12
W&s & Dry lube	n.a.	0,13	0,12	0,10	0,11	0,10
Oil	n.a.	0,10	n.a.	n.a.	n.a.	n.a.

### Friction Factors Between Material and Product

Lubrication	Wearstrip Material		
	Stainless steel	UHMW-PE & PA	<i>BluLub</i> ®
Dry	0,20	0,16	0,13
Water	0,17	0,11	0,09
W&s & Dry lube	0,14	0,09	0,08
Oil	0,10	0,10	0,10

#### Note

Material properties and performance of final product are subject to variation according to operating conditions, e.g. environmental conditions, chemicals, cleanliness.



# PFX

Materials



## Description

**Extra Performance material (PBT with additives)** with a very low coefficient of friction and improved wear resistance. Recommended for high speed and dry running applications.

**Primary Components:** PBT

## General information

Material	Chemical abbreviation	Allowable application temperatures						FDA Approval
		Fahrenheit			Celsius			
		Min	Max		Min	Max		
			Dry	Wet		Dry	Wet	
Extra performance PBT	PBT	-40	248	140	-40	120	60	YES

## Friction Factors Between Material and Product

Lubrication	Product Material					
	Paper & carton	Metal (steel)	Aluminium	Plastics & PET	Glass (returnable)	Glass (new)
Dry	0,18	0,16	0,14	0,10	0,11	0,10
Water	n.a.	0,14	0,13	0,11	0,12	0,11
W&s & Dry lube	n.a.	0,12	0,11	0,09	0,10	0,09
Oil	n.a.	0,09	n.a.	n.a.	n.a.	n.a.

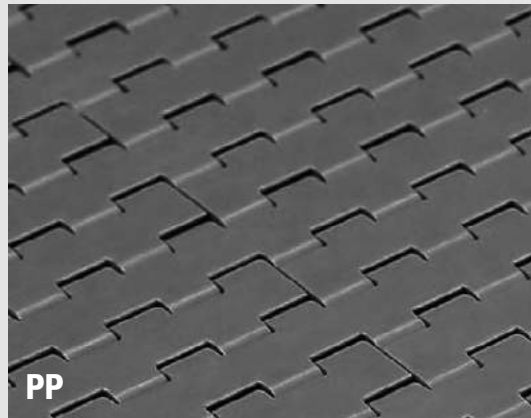
## Friction Factors Between Material and Product

Lubrication	Wearstrip Material		
	Stainless steel	UHMW-PE & PA	BluLub®
Dry	0,18	0,16	0,12
Water	0,15	0,10	0,08
W&s & Dry lube	0,13	0,08	0,07
Oil	0,09	0,09	0,09

### Note

Material properties and performance of final product are subject to variation according to operating conditions, e.g. environmental conditions, chemicals, cleanliness.

## PP-PPB-PPW



Also available:

**PPB**

**PPW**

### Description

**Polypropylene**

for better chemical resistance and higher temperatures.

**Primary Component:** PP

### General information

Material	Chemical abbreviation	Allowable application temperatures						FDA Approval
		Fahrenheit			Celsius			
		Min	Max		Min	Max		
			Dry	Wet		Dry	Wet	
Polypropylene	PP	40	220	220	4	104	104	YES

### Friction Factors Between Material and Product

Lubrication	Product Material					
	Paper & carton	Metal (steel)	Aluminium	Plastics & PET	Glass (returnable)	Glass (new)
Dry	0,40	0,30	0,32	0,28	0,29	0,26
Water	n.a.	0,24	0,26	0,22	0,23	0,21
W&s & Dry lube	n.a.	0,20	0,20	0,18	0,19	0,18
Oil	n.a.	0,10	n.a.	n.a.	n.a.	n.a.

### Friction Factors Between Material and Product

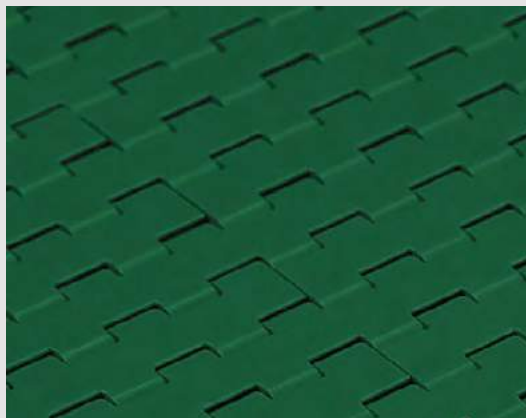
Lubrication	Wearstrip Material		
	Stainless steel	UHMW-PE & PA	<i>BluLub</i> ®
Dry	0,29	0,24	0,21
Water	0,23	0,19	0,17
W&s & Dry lube	0,19	0,13	0,13
Oil	0,10	0,10	0,10

#### Note

Material properties and performance of final product are subject to variation according to operating conditions, e.g. environmental conditions, chemicals, cleanliness.

# PPX

Materials



## Description

**Reinforced Polypropylene**

for improved heat stability and chemical resistance.

**Primary Component:** PP

## General information

Material	Chemical abbreviation	Allowable application temperatures						FDA Approval
		Fahrenheit			Celsius			
		Min	Max		Min	Max		
			Dry	Wet		Dry	Wet	
Reinforced Polypropylene	PP	40	220	220	4	104	104	YES

## Friction Factors Between Material and Product

Lubrication	Product Material					
	Paper & carton	Metal (steel)	Aluminium	Plastics & PET	Glass (returnable)	Glass (new)
Dry	0,40	0,30	0,32	0,28	0,29	0,26
Water	n.a.	0,24	0,26	0,22	0,23	0,21
W&s & Dry lube	n.a.	0,20	0,20	0,18	0,19	0,18
Oil	n.a.	0,10	n.a.	n.a.	n.a.	n.a.

## Friction Factors Between Material and Product

Lubrication	Wearstrip Material		
	Stainless steel	UHMW-PE & PA	BluLub®
Dry	0,29	0,24	0,21
Water	0,23	0,19	0,17
W&s & Dry lube	0,19	0,13	0,13
Oil	0,10	0,10	0,10

### Note

Material properties and performance of final product are subject to variation according to operating conditions, e.g. environmental conditions, chemicals, cleanliness.

## MWX



Materials

### Description

**MWX increases wear life**

Used in applications where chain is subject to abrasives conditions such as glass sand and dirt.

**Primary Component:** Nylon (PA)

### General information

Material	Chemical abbreviation	Allowable application temperatures						FDA Approval
		Fahrenheit			Celsius			
		Min	Max		Min	Max		
			Dry	Wet		Dry	Wet	
Polyamid Composite	PA	-40	219	N.R.	-40	104	N.R.	-

### Friction Factors Between Material and Product

Lubrication	Product Material					
	Paper & carton	Metal (steel)	Aluminium	Plastics & PET	Glass (returnable)	Glass (new)
Dry	0,24	0,21	0,18	0,15	0,17	0,14
Water	n.a.	0,19	0,17	0,14	0,15	0,14
W&s & Dry lube	n.a.	0,15	0,14	0,12	0,13	0,12
Oil	n.a.	0,10	n.a.	n.a.	n.a.	n.a.

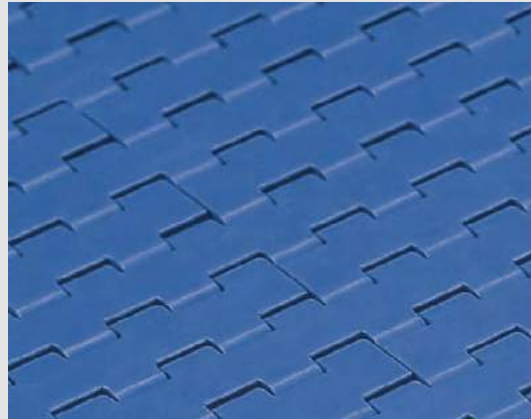
### Friction Factors Between Material and Product

Lubrication	Wearstrip Material		
	Stainless steel	UHMW-PE & PA	<i>BluLub</i> ®
Dry	0,24	0,19	0,15
Water	0,20	0,13	0,11
W&s & Dry lube	0,17	0,11	0,09
Oil	0,10	0,10	0,10

#### Note

Material properties and performance of final product are subject to variation according to operating conditions, e.g. environmental conditions, chemicals, cleanliness.

## PA



Materials

**Description****PA Polyamide composite**

The high crystallinity of this material gives it excellent mechanical properties such as high abrasion, high wear resistance as well as good hardness and stiffness.

**Primary Components:** Nylon

**General information**

Material	Chemical abbreviation	Allowable application temperatures						FDA Approval
		Fahrenheit			Celsius			
		Min	Max		Min	Max		
			Dry	Wet		Dry	Wet	
Polyamid Composite	PA	-40	219	N.R.	-40	104	N.R.	-

**Friction Factors Between Material and Product**

Lubrication	Product Material					
	Paper & carton	Metal (steel)	Aluminium	Plastics & PET	Glass (returnable)	Glass (new)
Dry	0,24	0,21	0,18	0,15	0,17	0,14
Water	n.a.	0,19	0,17	0,14	0,15	0,14
W&s & Dry lube	n.a.	0,15	0,14	0,12	0,13	0,12
Oil	n.a.	0,10	n.a.	n.a.	n.a.	n.a.

**Friction Factors Between Material and Product**

Lubrication	Wearstrip Material		
	Stainless steel	UHMW-PE & PA	BluLub®
Dry	0,24	0,19	0,15
Water	0,20	0,13	0,11
W&s & Dry lube	0,17	0,11	0,09
Oil	0,10	0,10	0,10

**Note**

Material properties and performance of final product are subject to variation according to operating conditions, e.g. environmental conditions, chemicals, cleanliness.

## SS

**Description**

**Ferritic Stainless Steel (1.4016)**  
for standard applications.

Materials

**General information**

Material	Chemical abbreviation	Allowable application temperatures						FDA Approval
		Fahrenheit			Celsius			
		Min	Max		Min	Max		
			Dry	Wet		Dry	Wet	
Standard Stainless Steel	1.4016	-22	750	265	-30	400	130	-

**Friction Factors Between Material and Product**

Lubrication	Product Material					
	Paper & carton	Metal (steel)	Aluminium	Plastics & PET	Glass (returnable)	Glass (new)
Dry	0,40	0,50	0,35	0,30	0,47	0,35
Water	n.a.	0,35	0,30	0,25	0,31	0,30
W&s & Dry lube	n.a.	0,20	0,15	0,15	0,21	0,15
Oil	n.a.	0,20	n.a.	n.a.	n.a.	n.a.

**Friction Factors Between Material and Product**

Lubrication	Wearstrip Material		
	Stainless steel	UHMW-PE & PA	<i>BluLub</i> ®
Dry	n.a.	0,35	0,32
Water	0,40	0,27	0,24
W&s & Dry lube	0,20	0,18	0,15
Oil	0,20	0,18	0,15

**Note**

Material properties and performance of final product are subject to variation according to operating conditions, e.g. environmental conditions, chemicals, cleanliness.

## SSE



Materials

**Description**

**Specially treated Ferritic Stainless Steel (1.4589)**  
for improved working-load and less friction.

**General information**

Material	Chemical abbreviation	Allowable application temperatures						FDA Approval
		Fahrenheit			Celsius			
		Min	Max		Min	Max		
			Dry	Wet		Dry	Wet	
Special Stainless Steel	1.4589	-22	750	265	-30	400	130	-

**Friction Factors Between Material and Product**

Lubrication	Product Material					
	Paper & carton	Metal (steel)	Aluminium	Plastics & PET	Glass (returnable)	Glass (new)
Dry	0,38	0,48	0,33	0,29	0,45	0,33
Water	n.a.	0,33	0,29	0,24	0,29	0,29
W&s & Dry lube	n.a.	0,19	0,14	0,14	0,20	0,14
Oil	n.a.	0,19	n.a.	n.a.	n.a.	n.a.

**Friction Factors Between Material and Product**

Lubrication	Wearstrip Material		
	Stainless steel	UHMW-PE & PA	<i>BluLub</i> ®
Dry	n.a.	0,33	0,30
Water	0,38	0,26	0,23
W&s & Dry lube	0,19	0,17	0,14
Oil	0,19	0,17	0,14

**Note**

Material properties and performance of final product are subject to variation according to operating conditions, e.g. environmental conditions, chemicals, cleanliness.

## SSM

**Description**

**Specially treated Ferritic SS (1.4589)**  
with optimized surface finish for superior sliding properties. For High-Speed and more critical applications.

Materials

**General information**

Material	Chemical abbreviation	Allowable application temperatures						FDA Approval
		Fahrenheit			Celsius			
		Min	Max		Min	Max		
			Dry	Wet		Dry	Wet	
Max Speed Stainless Steel	1.4589	-22	750	265	-30	400	130	-

**Friction Factors Between Material and Product**

Lubrication	Product Material					
	Paper & carton	Metal (steel)	Aluminium	Plastics & PET	Glass (returnable)	Glass (new)
Dry	0,34	0,43	0,30	0,26	0,40	0,30
Water	n.a.	0,30	0,26	0,21	0,26	0,26
W&s & Dry lube	n.a.	0,17	0,13	0,13	0,18	0,13
Oil	n.a.	0,17	n.a.	n.a.	n.a.	n.a.

**Friction Factors Between Material and Product**

Lubrication	Wearstrip Material		
	Stainless steel	UHMW-PE & PA	<i>BluLub</i> ®
Dry	n.a.	0,32	0,29
Water	0,36	0,24	0,22
W&s & Dry lube	0,18	0,16	0,14
Oil	0,18	0,16	0,14

**Note**

Material properties and performance of final product are subject to variation according to operating conditions, e.g. environmental conditions, chemicals, cleanliness.



SSA



Materials

### Description

Austenitic Stainless Steel with high resistance to corrosion and acid (AISI 304)  
for improved working-load and less friction.

### General information

Material	Chemical abbreviation	Allowable application temperatures						FDA Approval
		Fahrenheit			Celsius			
		Min	Max		Min	Max		
			Dry	Wet		Dry	Wet	
Austenitic Stainless Steel	AISI 304	-22	750	265	-30	400	130	-

### Friction Factors Between Material and Product

Lubrication	Product Material					
	Paper & carton	Metal (steel)	Aluminium	Plastics & PET	Glass (returnable)	Glass (new)
Dry	0,43	0,38	0,34	0,30	0,33	0,33
Water	n.a.	0,30	0,27	0,21	0,29	0,29
W&s & Dry lube	n.a.	0,15	0,14	0,14	0,15	0,15
Oil	n.a.	n.a.	n.a.	n.a.	n.a.	n.a.

### Friction Factors Between Material and Product

Lubrication	Wearstrip Material		
	Stainless steel	UHMW-PE & PA	BluLub®
Dry	0,40	0,30	0,30
Water	0,35	0,22	0,22
W&s & Dry lube	0,15	0,15	0,15
Oil	0,15	0,10	0,10

#### Note

Material properties and performance of final product are subject to variation according to operating conditions, e.g. environmental conditions, chemicals, cleanliness.

## PA



### Description

#### PA Polyamide composite

The high crystallinity of this material gives it excellent mechanical properties such as high abrasion, high wear resistance as well as good hardness and stiffness.

**Primary Component:** Polyamide (PA)

**Screws:** Stainless steel

**Nuts:** Zinc plated steel

Materials

### General information

Material	Chemical abbreviation	Allowable application temperatures						FDA Approval
		Fahrenheit			Celsius			
		Min	Max		Min	Max		
			Dry	Wet		Dry	Wet	
Polyamide	PA	-40	221	N.R.	-40	105	N.R.	YES

**Note:** Material properties and performance of final product are subject to variation according to operating conditions, e.g. environmental conditions, chemicals, cleanliness.

## Reinforced PA



### Description

#### PA Polyamide reinforced

High quality polyamide specifically developed for injection molding, glass fiber reinforced.

**Primary Component:** Polyamide (PA)

**Screws:** Stainless steel

**Nuts:** Nickel plated brass

Materials

### General information

Material	Chemical abbreviation	Allowable application temperatures						FDA Approval
		Fahrenheit			Celsius			
		Min	Max		Min	Max		
			Dry	Wet		Dry	Wet	
Polyamide Reinforced	PA	-4	248	248	-20	120	120	-

**Note:** Material properties and performance of final product are subject to variation according to operating conditions, e.g. environmental conditions, chemicals, cleanliness.

# **Movex®**

This catalogue presents and includes the latest generations of products shown in earlier publications and it relates to the current production.

Other information, which may be different from that contained in this catalogue has to be considered invalid.

**Movex® S.p.A.** reserves the right to carry out modifications rendered necessary by the technical evolution of the products.

© Copyright **Movex® S.p.A.** 2022

The contents of this catalogue are the copyright of **Movex® S.p.A.** and may not be reproduced (even extracts) unless written permission is granted.

Every care has been taken to ensure the accuracy of the information contained in this publication but no liability can be accepted for any error or omissions.

Catalogue N° M999512\_V2

The digital version of this catalogue  
is available on:

**[www.movexii.com](http://www.movexii.com)**



## **Movex S.p.A.**

### **Headquarter**

Viale Industria, 22  
24060 Castelli Calepio (BG)

### **Logistics Center**

Via della Repubblica, 21/E  
24060 Castelli Calepio (BG)

P +39 035 8359711  
info@movexii.com  
www.movexii.com

## **Movex around the world**

### **Movex GmbH**

P +49-6204-9375-0

### **Movex Brasil Ltda**

P +55-15-3141-2550

### **Movex France**

P +39-335-8085980

### **Movex AG India**

P +91-120-4159660-62

### **Movex Russia**

P +7 (495) 925-88-56

### **Movex UK Ltd.**

P +44-77-20678442

### **Movex Nederland**

P +31-630-994850

### **Movex USA Inc.**

P +1-919-274-5477

### **Movex SA de CV**

P +52-1-3318458187

### **Movex CIS countries**

P +380-667507756



**movexii.com**